

Owner's Manual

CRAFTSMAN[®]

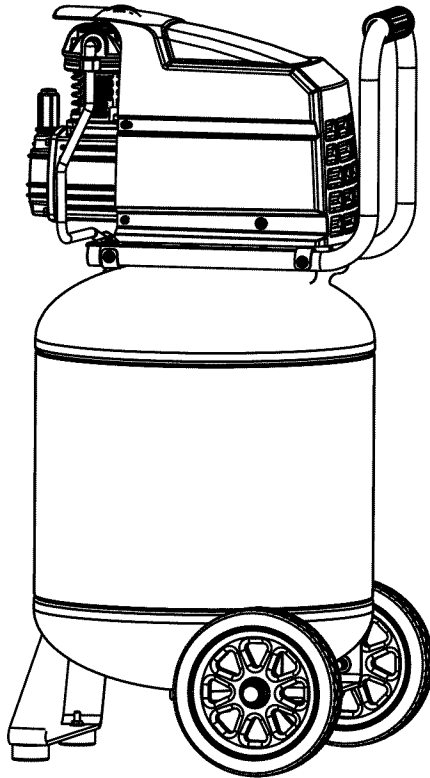
AIR COMPRESSOR

10-gallon

1 HP

Oil Lubricated

Model No. 16923



CAUTION:

Before using this product, read this manual and follow all its Safety Rules and Operating Instructions.

- *Safety Instructions*
- *Installation & Operation*
- *Maintenance & Storage*
- *Troubleshooting Guide*
- *Parts List*

Sears, Roebuck and Co., Hoffman Estates, IL 60179 U.S.A.
www.sears.com/craftsman

TABLE OF CONTENTS

	Page
Warranty	see below
Safety Symbols	1
Important Safety Instructions & Guidelines	1
Specifications	2
Glossary	2
Duty Cycle	2
Parts & Features	3
Installation & Assembly	4
Operating Procedures	6
Maintenance	7
Storage	7
Troubleshooting Guide	8
Exploded View	9
Parts List	10
Service Number	back cover

CRAFTSMAN ONE YEAR FULL WARRANTY

FOR ONE YEAR from the date of purchase, this product is warranted against any defects in material or workmanship. A defective product will receive free repair or replacement if repair is unavailable.

For warranty coverage details to receive free repair or replacement, visit the web site: www.craftsman.com

This warranty is void if this product is ever used while providing commercial services or if rented to another person.

This warranty gives you specific legal rights, and you may also have other rights which vary from state to state.

Sears Brands Management Corporation, Hoffman Estates, IL 60179 U.S.A.

Safety Instructions

The information listed below should be read and understood by the operator. This information is given to protect the user while operating and stor-

ing the air compressor. We utilize the symbols below to allow the reader to recognize important information about their safety.

⚠ DANGER	⚠ CAUTION
Indicates an imminently hazardous situation which, if not avoided, will result in death or serious injury.	Indicates a potentially hazardous situation which, if not avoided, may result in minor or moderate injury.
⚠ WARNING	CAUTION
Indicates a potentially hazardous situation which, if not avoided, could result in death or serious injury.	When used without the safety alert symbol indicates a potentially hazardous situation which, if not avoided, may result in property damage.




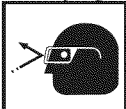
Important Safety Instructions and Guidelines

• Save all instructions





CALIFORNIA PROPOSITION 65 WARNING: This product contains chemicals known to the State of California to cause cancer, birth defects and/or reproductive harm.

⚠ WARNING

Improper operation or maintenance of this product could result in serious injury and/or property damage. Read and understand all of the warnings and safety instructions provided before using this equipment.

CAUTION	The air compressor should be operated on a dedicated 15 amp circuit. If the circuit does not have 15 free amps available, a larger circuit must be used. Always use more air hose before utilizing extension cords. All extension cords used must be 12 gauge with a maximum length of 25 ft. The circuit fuse type must be a time delay. Low voltage could cause damage to the motor.
Risk of Moving Parts 	If the air compressor is in operation, all guards and covers should be attached or installed correctly. If any guard or cover has been damaged, do not operate the equipment until the proper personnel has correctly repaired the equipment. The power cord should be free of any moving parts, twisting and/or crimping while in use and while in storage.
Risk of Burns 	There are surfaces on your air compressor that while in operation and thereafter can cause serious burns if touched. The equipment should be allowed time to cool before any maintenance is attempted. Items such as the compressor pump and the outlet tube are normally hot during and after operation.
Risk of Falling 	Operation of the air compressor should always be in a position that is stable. Never use the air compressor on a rooftop or elevated position that could allow the unit to fall or be tipped over. Use additional air hose for elevated jobs.
Risk from Flying Objects 	Always wear ANSI Z87.1 approved safety glasses with side shields when the air compressor is in use. Turn off the air compressor and drain the air tank before performing any type of maintenance or disassembly of the hoses or fittings. Never point any nozzle or sprayer toward any part of the body or at other people or animals.

Important Safety Instructions & Guidelines

<p>Risk to Breathing</p> 	<p>Avoid using the air compressor in confined areas. Always have adequate space (12 inches) on all sides of the air compressor. Also keep children, pets, and others out of the area of operation. This air compressor does not provide breathable air for anyone or any auxiliary breathing device. Spraying material will always need to be in another area away from the air compressor to not allow intake air to damage the air compressor filter.</p>
<p>Risk of Electrical Shock</p> 	<p>Never utilize the air compressor in the rain or wet conditions. Any electrical issues or repairs should be performed by authorized personnel such as an electrician and should comply with all national and local electrical codes. The air compressor should also have the proper three prong grounding plug, correct voltage, and adequate fuse protection.</p>
<p>Risk of Explosion or Fire</p> 	<p>Never operate the compressor near combustible materials, gasoline or solvent vapors. If spraying flammable materials, locate the air compressor at least 20 feet away from the spray area. Never operate the air compressor indoors or in a confined area.</p>
<p>Risk of Bursting</p> 	<p>Always drain the air compressor tank daily or after each use. If the tank develops a leak, then replace the air compressor. Never use the air compressor after a leak has been found or try to make any modifications to the tank. Never modify the air compressor's factory settings which control the tank pressure or any other function.</p>

Specifications

Pump	Oil-lube direct drive	Air Tank Capacity	10 Gallons
Motor	1.0 HP (Induction)	Cut-in Pressure	105 PSI
Bore	1.65"	Cut-out Pressure	135 PSI
Stroke	1.26"	SCFM @ 90 PSI	2.4
Voltage Single Phase	120 VAC	Oil Capacity	90 mL or 3 oz.
Minimum Circuit Requirement	15 Amps	Oil Type	SAE 30 Non-detergent Semi-Synthetic

Glossary

- CFM:** Cubic feet per minute.
- SCFM:** Standard cubic feet per minute; a unit of measure for air delivery.
- PSIG:** Pounds per square inch gauge; a unit of measure for pressure.
- ASME:** American Society of Mechanical Engineers.
- California Code:** Unit may comply with California Code 462 (I) (2)/ (M) (2).
- Cut-In Pressure:** The air compressor will automatically start to refill the tank when the pressure drops below the prescribed minimum.
- Cut-Out Pressure:** The point at which the motor stops when the tank has reached maximum air pressure.
- Code Certification:** Products that bear one or more of the following marks: UL, CUL, ETL, CSA, have been evaluated by OSHA-certified independent safety laboratories and meet the applicable Underwriters Laboratories Standards for Safety.

Duty Cycle

This is a 50% duty cycle air compressor. Do not run the air compressor more than 30 minutes of one hour. Doing so could damage the air compressor.

Parts & Features

See figures below for reference

Tank Pressure Gauge

Indicates the reserve air pressure in the tank.

Tool Gauge

Indicates the outgoing air pressure to the tool and is controlled by the regulator.

Quick Connect

Offers a quick release feature for attaching and removing the air hose.

Regulator

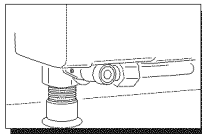
The air pressure coming from the air tank is controlled by the regulator. To increase the pressure, turn the knob clockwise, and to decrease the pressure, turn the knob counter-clockwise.

Tank Safety Valve

Used to allow excess tank pressure to escape into the atmosphere. This valve should only open when the tank pressure is above the maximum rated pressure.

Pressure Switch

This controls the power to the motor and also the cut-in/cut-out pressure settings. This switch serves as the Auto-On/Off positions for the unit.



Pressure Relief Valve

The pressure relief valve located on the side of the pressure switch, is designed to automatically release compressed air when the air compressor reaches cut-out pressure. The released air should only escape momentarily and the valve should then close.

Check Valve

When the pump is not in operation the valve closes to retain air pressure inside the tank. An internal component.

Air Intake Filter

Provides clean air to the pump and must always be kept free of debris. Check on a daily basis or before each use.

Oil Fill Cap

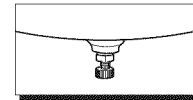
Oil Sight Gauge

Outlet Tube

Pressure Relief Tube

Tank Drain Valve

Used to drain condensation from the air tank. Located at bottom of tank.



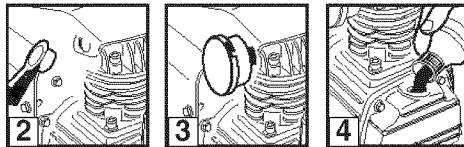
Installation & Assembly

▲WARNING

The air compressor should be turned off, unplugged from the power source, the air bled from the tank and the unit allowed time to cool before any maintenance is performed. Personal injuries could occur from moving parts, electrical sources, compressed air or hot surfaces. The quick connect assembly must be attached before use. Failure to assemble correctly could result in leaks and possible injury. If unsure of assembly instructions or you experience difficulty in the assembly please call our toll free number for assistance.

Assembly

1. Remove air compressor, manual, air filter assembly, and accessories from packaging.
2. Remove the plastic plug from the compressor intake port. (see diagram below)
3. Install the filter in the compressor intake port. (see diagram below)
4. Remove the oil fill cap from the crankcase and fill until the oil reaches the top of the red dot in the sight glass. Oil capacity is 3 oz. (see below) Use SAE-30 non-detergent semi-synthetic oil (API CG/CD heavy duty motor oil). Under extreme cold weather conditions use SAE-10 weight oil.
5. Replace the oil cap.



Estimated Assembly Time:
Approximately 5 minutes

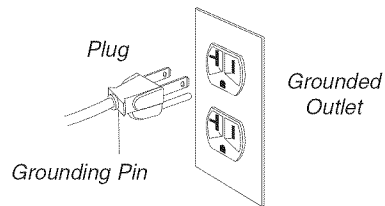
Getting Started -

Location of the Air Compressor

The air compressor should always be located in a clean, dry and well ventilated environment. The unit should have at minimum, 12 inches of space on each side. The air filter intake should be free of any debris or obstructions. Check the air filter on a daily basis to make sure it is clean and in working order.

Grounding Instructions

This product should be grounded. In the event of an electrical short circuit, grounding reduces the risk of electric shock by providing an escape wire for the electric current. This product is equipped with a cord having a grounding wire with an appropriate grounding plug. (See the figure below.) The plug must be plugged into an outlet that is properly installed and grounded in accordance with all local codes and ordinances. Check with a qualified electrician or service personnel if these instructions are not completely understood or if in doubt as to whether the tool is properly grounded.



NOTES

Installation & Assembly

▲WARNING

Improper installation of the grounding plug will result in a risk of electric shock. If repair or replacement of the cord or plug is necessary, do not connect the grounding wire to either flat blade terminal. The wire with insulation having an outer surface that is green with or without yellow stripes is the grounding wire. Check with a qualified electrician or serviceman if the grounding instructions are not completely understood, or if in doubt as to whether the product is properly grounded. Do not modify the plug provided; if it will not fit the outlet, have the proper outlet installed by a qualified electrician.

This product is for use on a circuit having a nominal rating of 120 volts and is factory-equipped with a specific electric cord and plug to permit connection to a proper electric circuit. Make sure that the product is connected to an outlet having the same configuration as the plug. No adapter should be used with this product. If the product must be reconnected for use on a different type of electric circuit, qualified service personnel should make the reconnection.

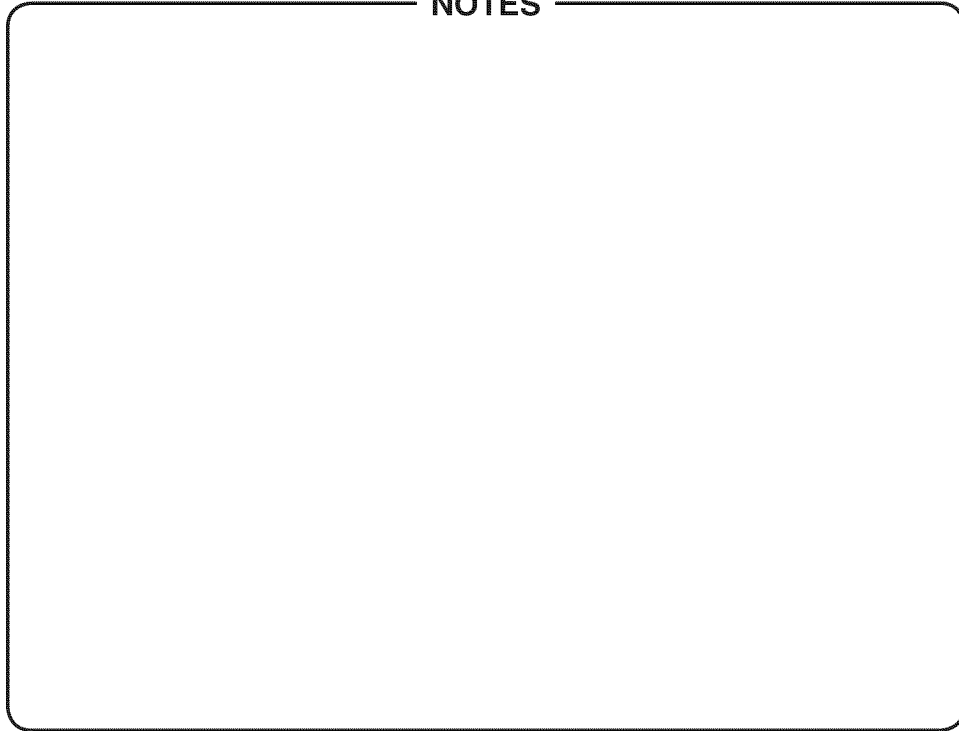
Extension Cords

Use only a 3-wire extension cord that has a 3-blade grounding plug, and a 3-slot receptacle that will accept the plug on the product. Make sure your extension cord is in good condition. When using an extension cord, be sure to use one heavy enough to carry the current your product will draw. Cords must not exceed 25 feet and No. 12 AWG size must be used. An undersized cord will cause a drop in line voltage resulting in loss of power and overheating.

Break In Procedures

No break in procedure is required by the user. This product is factory tested to ensure proper operation and performance.

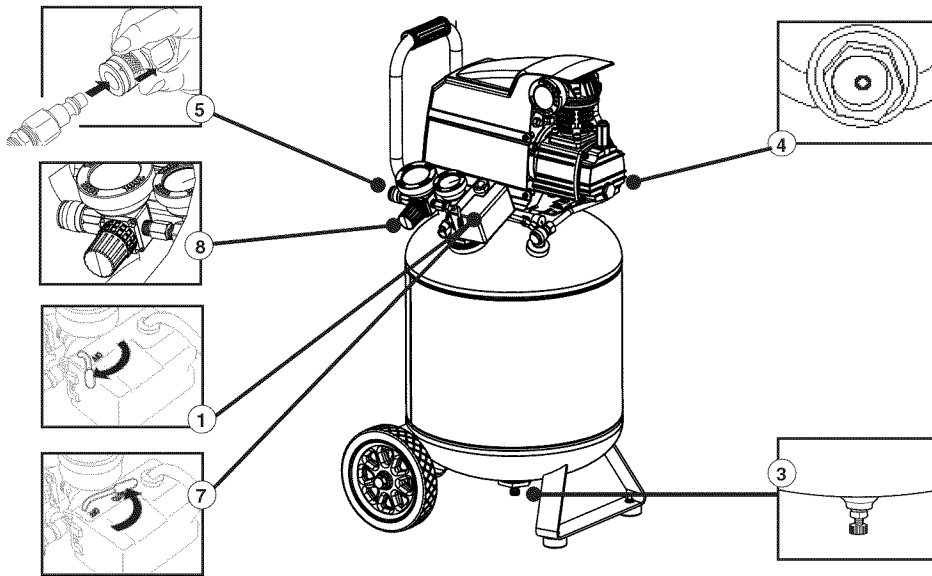
NOTES



Operating Procedures

Daily Start-Up Procedures

1. Set the Auto-On/Off lever to the Off position.
2. Inspect the air compressor, air hose, and any accessories/tools being used for damage or obstruction. If any of these mentioned items are in need of repair/replacement, contact your local authorized service dealer before use.
3. Close the drain valve.
4. Check the oil level of the pump.
5. Connect the air hose to the quick connect socket on the regulator assembly by inserting the quick connect plug on the air hose into the quick connect socket. The quick connect socket collar will snap forward and lock the plug into place providing an air tight seal between the socket and plug. To release the air hose push the collar back on the quick connect socket.
6. Plug the power cord into the proper receptacle.
7. Turn the Auto-On/Off lever to the On-Auto position and the compressor will start and build air pressure in the tank to cut-out pressure and then shut off automatically.
8. Adjust the regulator to a PSI setting that is needed for your application and be sure it is within the safety standards required to perform the task. If using a pneumatic tool, the manufacturer should have recommendations in the manual for that particular tool on operating PSI settings.
9. The air compressor is now ready for use.



Daily Shut-Down Procedures

1. Set the Auto-On/Off lever to the Off position.
2. Unplug the power cord from the receptacle.
3. Set the outlet pressure to zero on the regulator.
4. Remove any air tools or accessories. When draining the tank, always use ear and eye protection. Drain the tank in a suitable location; condensation will be present in most cases of draining.
5. Open the drain valve allowing air to bleed from the tank. After all of the air has bled from the tank, close the drain valve to prevent debris buildup in the valve.

▲ CAUTION

When draining the tank, always use ear and eye protection. Drain the tank in a suitable location; condensation will be present in most cases of draining.

▲ WARNING

Water that remains in the tank during storage will corrode and weaken the air tank which could cause the tank to rupture. To avoid serious injury, be sure to drain the tank after each use or daily.

Maintenance

NOTE: Any service procedure not covered in the maintenance schedule should be performed by qualified service personnel.

▲WARNING

The air compressor should be turned off, unplugged from the power source, air bled from the tank and allowed time to cool before any maintenance is performed.

▲CAUTION

To ensure efficient operation and longer life of the air compressor unit, a routine maintenance schedule should be followed. The following schedule is geared toward a consumer whose compressor is used in a normal working environment on a daily basis.

Maintenance Schedule	
Items to Check/Change	Before each use or daily
Check Tank Safety Valve	X
Overall Unit Visual Check	X
Check Air Filter	X
Drain Tank	X
Check Power Cord for Damage	X
Change Oil	after first 50 hours
	after every 100 hours
Check Oil Level	X

Storage

For storing the air compressor, be sure to do the following:

1. Turn the unit off and unplug the power cord from the receptacle.
2. Remove all air hoses, accessories, and air tools from the air compressor.
3. Perform the daily maintenance schedule.
4. Open the drain valve to bleed all air from the tank.
5. Close the drain valve.
6. Store the air compressor in a clean and dry location.

NOTES

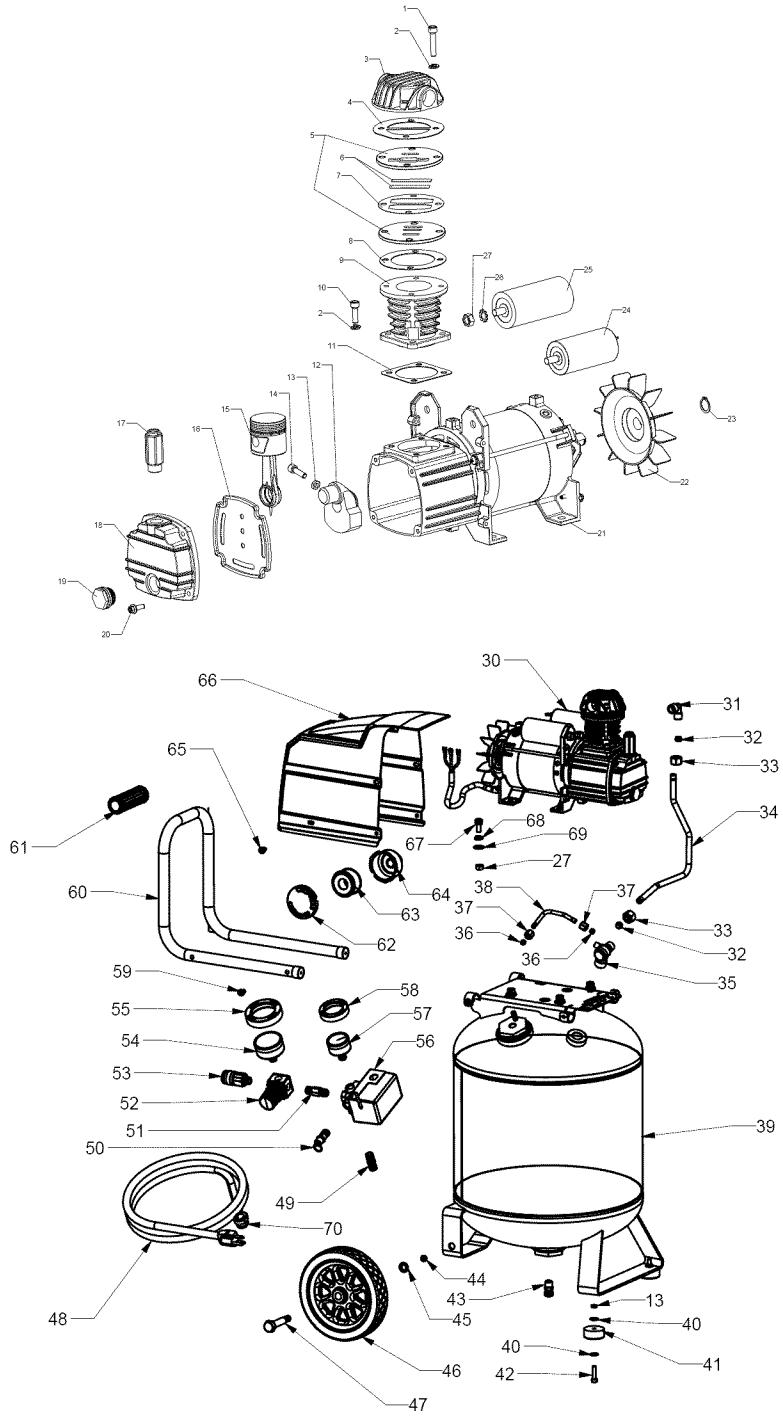
Troubleshooting Guide

▲WARNING

The air compressor should be turned off and unplugged from the power source before any maintenance is performed as well as the air bled from the tank and the unit allowed time to cool. Personal injuries could occur from moving parts, electrical sources, compressed air, or hot surfaces.

PROBLEM	POSSIBLE CORRECTION
Air leaks at the check valve or at the pressure relief valve.	A defective check valve results in a constant air leak at the pressure relief valve when there is pressure in the tank and the compressor is shut off. Drain the tank, then remove and clean or replace the check valve.
Air leaks between head and cylinder.	Be sure of proper torque on head bolts. If leak remains, contact a service technician.
Air leak from safety valve.	Operate the safety valve manually by pulling on the ring. If the valve continues to leak when in the closed position, it should be replaced.
Pressure reading on the regulated pressure gauge drops when an accessory is used.	If there is an excessive amount of pressure drop when the accessory is used, replace the regulator. NOTE: Adjust the regulated pressure under flow conditions (while accessory is being used). It is normal for the gauge to show minimal pressure loss during initial use of the tool.
Excessive tank pressure.	Move the Auto-On/Off lever to the Off position. If the unit doesn't shut off, unplug it from the power source and contact a service technician.
Motor will not start.	Make sure power cord is plugged in and the switch is on. Inspect for the proper size fuse in your circuit box. If the fuse was tripped, reset it and restart the unit. If repeated tripping occurs, replace the check valve or contact a service technician.
Excessive moisture in the discharge air.	Remove the water in the tank by draining after each use. High humidity environments will cause excessive condensation. Utilize water filters on your air line. NOTE: Water condensation is not caused by compressor malfunction. Be sure the compressor's air output is greater than your tool's air consumption rate.
Air leaks from the tank body or tank welds.	Never drill into, weld or otherwise modify the air tank or it will weaken. The tank can rupture or explode. Compressor cannot be repaired. Discontinue use of the air compressor.

Craftsman Air Compressor Model 16923 Exploded View



**Craftsman Air Compressor Model 16923
Parts List**

Ref. #	Kit #	Part Number	Description	Qty
1	3		Screw, M6 X 1.0mm X 30mm	4
2	3		Washer, Lock M6	8
3	3	E100227	Head, Cylinder	1
4	1 & 3		Gasket, Head to Valve Plate	1
5	3	E100228	Plate, Valve	2
6	3	E100229	Valve Reed	2
7	1 & 3		Gasket, Valve Plate	1
8	1 & 3		Gasket, Cylinder to Valve Plate	1
9	2 & 3	E101113	Cylinder	1
10	3		Screw, SHC M6 x 1.0 x 20MM	4
11	1 & 3		Gasket, Cylinder, Lower	1
12	2 & 3		Eccentric for L1	1
13	2 & 3		Nut, Hex, M6x1.0	3
14	2 & 3		Screw, SHC M6 x 1.0 x 20MM	1
15	2 & 3		L1 Piston/ Connecting Rod Assembly	1
16	1 & 3		Baffle for L1	1
17	3	E100087	Cap, Oil Fill w/o-ring	1
18	3	E100566	Cover, Crankcase for L1	1
19	3	E100078	Plug, oil sight w/seal	1
20	3		Screw, HFH M5 x 0.8 x 15MM (Yellow Zinc Dich Plate)	4
21	3		Motor Assembly/Pump Housing, L1B2	1
22	3	E100860	Fan, Motor F1 125mm	1
23	3		Ring, Snap, Outer, 15mm	1
24	3	E100247	Capacitor, Running	1

Ref. #	Kit #	Part Number	Description	Qty
25	3	E100248	Capacitor, Starting	1
26	3		Washer, Tooth Lock, 8mm	2
27	3		Nut, M8x1.25, ZDC 6.5MM TALL	6
28			N/A	
29			N/A	
30	3		Assembly, Motor/Pump, L1B2 w/RH Exhaust	1
31		E100809	Fitting, Elbow, 3/8NPT x 3/8 Comp	1
32	6		Ferrule, 3/8"	2
33	6		Nut, Comp, 3/8"	2
34	6		Tube, Outlet 3/8" Aluminum Finned	1
35		E101362	Valve, Check LH	1
36	5		Ferrule, 1/4"	2
37	5		Nut, Comp, 1/4"	2
38	5		Tube, Relief 1/4" Aluminum	1
39			Tank/Frame Assy, 10 Gallon, L110VWS	1
40			Washer, Flat M6	2
41		E101037	Isolator, Rubber	2
42			Screw, SHC, M6 x 1.0 x 25mm	2
43		E100098	Valve, Drain Multi-Turn	1
44	7		Nut, Hex M10x1.25	2
45	7		Washer, Flat M10	2
46	7		Wheel, Black Hub	2
47	7		Bolt, Shoulder, M10x1.25x45mm	2
48		E101340	Cord, Power 16/3 AWG type ST 6' long	1

NOTES

Craftsman Air Compressor Model 16923
Parts List

Ref. #	Kit #	Part Number	Description	Qty
49		E100853	Nipple, 1/4"NPT X 35MM	1
50		E102611	Valve, Safety	1
51		E102857	Nipple, 1/4"NPT X 43MM	1
52		E100059	Regulator, Square Body LH Flow	1
53		E100307	Quick Connect, Brass	1
54		E103369	Gauge, Pressure, (50mm 135 PSI R/L, 1/4" NPT)	1
55		E104074	Ring, Bezel Tool (50 mm)	1
56		E106477	Assy, Switch, Pressure (135 PSI)	1
57		E103363	Gauge, Pressure, (38mm w/135 PSI R/L)	1
58		E104568	Ring, Bezel Tank (38 mm)	1
59			Screw, Hex Flange Head, M5X0.8X15mm	4
60		E101335	Handle	1
61		E105883	Grip, Rubber	1
62	4		Cover, Filter	1
63	4	E100435	Element, Intake Filter	1
64	4		Base, Air Filter	1
65			Screw, Hex Flange Head, M5X0.8X10mm	6
66		E105615	Shroud	1
67			Bolt, SHC M8 x 1.25 x 25mm (ZDC Plate)	4
68			Washer, Lock, M8	4
69			Washer, Flat M8	4
70		E101802	Strain Relief, 16/3 AWG ST	1

Note: Any part/kit number field without a number is not available. Descriptions are provided for reference only. The Kit # column represents that the part being offered is available in a kit. One of each part per kit will be offered.

Kit number and parts that are included are as follows:

Kit No.	Part No.	Description	Reference No.
1	E100959	Kit, Gasket Rebuild	4,7,8,11,16
2	E100251	Kit, Piston - (Note: Order Gasket Kit #1, as well, when ordering this kit)	9,12 thru15
3	E105154	Kit, L1B2 Motor/Pump Assy. w/RH Exhaust	1 - 27, 30
4	E100794	Kit, Air Filter	62-64
5	E105953	Kit, 1/4" Cu Pressure Relief Tube	36-38
6	E105952	Kit, 3/8" Aluminum Outlet Tube	32-34
7	E102192	Kit, Wheel (this kit is for one wheel only)	44-47

NOTES

Manual de

CRAFTSMAN®

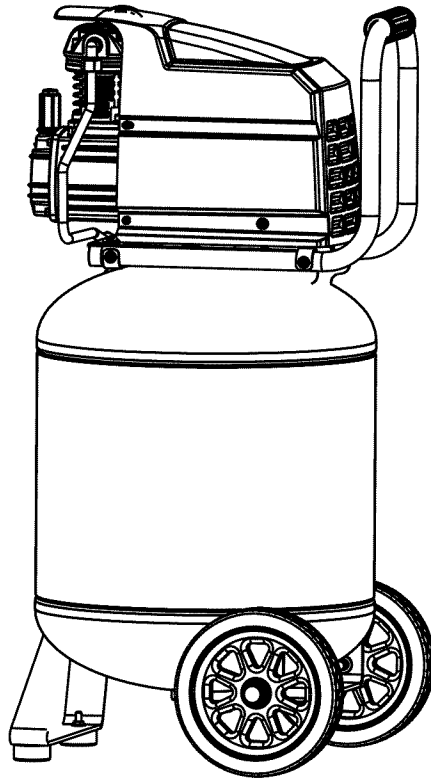
COMPRESOR DE AIRE

37.9 litros

1 HP

Lubricada con aceite

de Modelo 16923



PRECAUCIÓN:

Antes de usar el producto, lea este manual y siga sus reglas e instrucciones de seguridad.

-
- *Instrucciones y pautas de seguridad importantes*
 - *Instalación y ensamblaje*
 - *Procedimientos de operación*
 - *Mantenimiento y Almacenamiento*
 - *Diagnóstico y corrección de fallas*
 - *Lista de las piezas*

Sears, Roebuck and Co., Hoffman Estates, IL 60179 U.S.A.
www.sears.com/craftsman

11/19/2012
Part No. E106443

CONTENIDO

	Página
Garantía	esta página
Símbolos de seguridad	15
Instrucciones y pautas de seguridad importantes	15
Especificaciones	16
Glosario	16
Ciclo de trabajo	16
Partes y características	17
Instalación y ensamblaje	18
Procedimientos de operación	20
Mantenimiento	21
Almacenamiento	22
Diagnóstico y corrección de fallas	22
Vista esquemática	23
Lista de las piezas	24
Número de servicio	Contratapa

UN AÑO DE GARANTÍA DE CRAFTSMAN

DURANTE UN AÑO desde la fecha de compra, este producto tiene garantía contra defectos en los materiales o en la fabricación. Los productos defectuosos se repararán gratuitamente o se reemplazarán sin coste si la reparación no es posible.

Para conocer los detalles de cobertura de la garantía con el fin de obtener una reparación o un reemplazo, visite el sitio web www.craftsman.com

Esta garantía no es válida si el producto se utiliza para proporcionar servicios comerciales o si se alquila a un tercero.

Esta garantía le proporciona derechos legales específicos y es posible que además tenga otros derechos, dependiendo del país o el estado.

Sears Brands Management Corporation, Hoffman Estates, IL 60179 EE. UU.

Instrucciones de seguridad

El operador debe leer y entender la información siguiente. Esta información se ofrece para proteger al usuario durante la operación y el almacenaje

del compresor. Los símbolos siguientes son los que se utilizan para indicar al lector información que es importante para su seguridad.

▲ PELIGRO	▲ PRECAUCIÓN
Indica una situación de riesgo inminente que, de no evitarse, provocaría lesiones graves o la muerte.	Indica una situación potencialmente peligrosa que, de no evitarse, podría provocar lesiones menores o moderadas.
▲ ADVERTENCIA	PRECAUCIÓN
Indica una situación potencialmente peligrosa que, de no evitarse, podría provocar lesiones graves o la muerte.	Al aparecer sin el símbolo de alerta de seguridad, indica una situación potencialmente peligrosa que, de no evitarse, podría causar daños materiales.





Instrucciones y pautas de seguridad importantes

• *Guarde todas las instrucciones*





ADVERTENCIA DE LA PROPUESTA DE LEY 65 DE CALIFORNIA: Este producto contiene sustancias químicas que, consta al Estado de California, producen cáncer, malformaciones congénitas o daños reproductivos.

▲ ADVERTENCIA

La operación y el mantenimiento inadecuados de este producto pueden provocar lesiones graves y daños materiales. Antes de utilizar este equipo, lea y entienda las advertencias e instrucciones de seguridad aquí contenidas.

PRECAUCIÓN	El compresor de aire se debe operar desde un circuito dedicado de 15 amperes. Si el circuito no dispone de una capacidad de 15 amperes, se debe usar un circuito de mayor capacidad. Si es necesario, antes de emplear una extensión eléctrica, añada una manguera de aire más larga. Las extensiones eléctricas deben ser de calibre 12 y tener una longitud máxima de 7.6 metros. El fusible del circuito debe ser de acción retardada. Un voltaje demasiado bajo puede dañar el motor.
<i>Riesgo por partes en movimiento</i> 	Antes de operar el compresor, todos los protectores y cubiertas deben estar instalados correctamente. Si alguno de los protectores o cubiertas está dañado, no opere el equipo sino hasta que personal calificado repare el problema. El cable de corriente se debe mantener alejado de las partes móviles del equipo y no debe torcerse ni prensarse durante su empleo ni al ser almacenado.
<i>Riesgo de quemaduras</i> 	En su compresor hay superficies que, de ser tocadas durante y después de su operación, pueden causar quemaduras graves. Antes de darle mantenimiento al equipo, se le debe dejar enfriar. Por lo normal, durante y después de su operación, ciertas partes como la bomba del compresor y el tubo de salida estarán calientes.
<i>Riesgo de caída</i> 	El compresor siempre se debe operar en una posición estable. Nunca utilice el compresor sobre un techo o en una posición elevada desde donde podría caer o volcarse. Al trabajar en posiciones elevadas, utilice una manguera de aire más larga.
<i>Riesgo de lanzamiento de objetos</i> 	Al emplear el compresor, siempre utilice anteojos de seguridad con protectores laterales que cumplan con la norma ANSI Z87.1. Antes de llevar a cabo cualquier clase de mantenimiento y antes de desconectar las mangueras y acopladores, apague el compresor y drene el tanque de aire. Nunca apunte la boquilla o rociador hacia ninguna parte de su cuerpo ni del de otros seres.

Instrucciones y pautas de seguridad importantes

<p>Riesgo para la respiración</p> 	<p>Evite utilizar el compresor de aire en áreas encerradas. Siempre tenga un espacio libre adecuado (30 cm.) en todos los lados del compresor. También mantenga fuera del área de operación a mascotas, niños y otras personas. Este compresor de aire no provee aire que pueda ser respirado ni empleado con un dispositivo respiratorio auxiliar. El material de rociado siempre deberá estar en otra zona, alejado del compresor de aire, para evitar que el aire aspirado dañe el filtro del compresor.</p>
<p>Riesgo de descargas eléctricas</p> 	<p>Nunca utilice el compresor de aire bajo lluvia o en lugares mojados. Los problemas eléctricos deben ser reparados por personal autorizado, tal como sería un electricista, y deben cumplir con las normas eléctricas nacionales y locales. El compresor también debe tener la clavija apropiada de tres terminales y contar con un suministro eléctrico que sea del voltaje correcto y con un fusible de protección adecuado.</p>
<p>Riesgo de explosión y fuego</p> 	<p>Nunca opere el compresor cerca de materiales combustibles, gasolina ni vapores de solventes. Si está rociando materiales inflamables, coloque el compresor a una distancia de cuando menos 6 metros del área de rociado. Nunca opere el compresor de aire en interiores o en lugares cerrados.</p>
<p>Riesgo de estallido</p> 	<p>Drene el compresor diariamente o después de cada utilización. Si el tanque tiene una fuga, reemplace el compresor. No utilice el compresor si se ha detectado una fuga, ni trate de modificar el tanque. Nunca modifique los ajustes de fábrica del compresor que controlan la presión del tanque y demás funciones.</p>

Especificaciones

Bomba De impulsión directa, lubricada con aceite
 Motor 1.0 HP (Inducción)
 Diámetro 42 mm
 Carrera 32 mm
 Voltaje monofásico 120 VAC

Capacidad de tanque de aire . . . 37,8 litros / 10 galones US
 Presión de conexión 105 PSI
 Presión de desconexión 135 PSI
 Presión de parada 861.8 KPa / 125 PSI
 Pies cúbicos por minuto (SCFM) a 90 LPPC. 2.4
 Capacidad del aceite 90 ml o 3 onzas.
 Tipo de aceite SAE 30 / no detergente – semi-sintético

Glosario

CFM: Pies cúbicos por minuto.
SCFM: Pies cúbicos estándar por minuto; unidad de medición de suministro de aire.
PSIG: Libras por pulgada cuadrada sobre la presión atmosférica; unidad de medición de presión.
ASME: Sociedad estadounidense de ingenieros mecánicos.
Código de California: La unidad puede cumplir con el código de California 462 (I) (2)/ (M) (2).

Presión de arranque: El compresor arranca automáticamente cuando la presión baja a menos del mínimo prescrito.
Presión de parada: Presión de aire que tiene que alcanzarse en el tanque para que se detenga el motor.
Certificación de código: Los productos que tienen alguna o varias de las siguientes marcas han sido evaluados por laboratorios de seguridad independientes certificados por OSHA, y cumplen con las normas de seguridad de Underwriters Laboratories: UL, CUL, ETL, CSA.

Ciclo de trabajo

Este compresor tiene un ciclo de trabajo de 50%. Nunca opere el compresor por más de 30 minutos cada hora. De hacerlo, podría dañarlo.

Partes y características

Como referencia, vea las figuras abajo.

Manómetro de presión del tanque

Indica la presión de la reserva de aire del tanque.

Manómetro para herramientas

Indica la presión de salida del aire que entra en la herramienta, la cual que es controlada por el regulador.

Conector de acoplamiento rápido

Permite conectar y desconectar rápidamente la manguera del aire.

Regulador

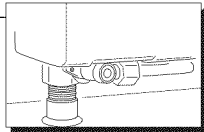
La presión del aire que sale del tanque es controlada por el regulador. Para aumentar la presión, gire la perilla en dirección de las manecillas; para disminuirla, gire la perilla en dirección contraria a las manecillas.

Válvula de seguridad del tanque

Permite que el exceso de presión en el tanque escape hacia el medio ambiente. Esta válvula sólo se abrirá cuando la presión en el tanque esté por encima de la presión máxima nominal del modelo.

Interruptor de presión

Controla el suministro eléctrico en el motor y también los ajustes de presión de arranque y presión de parada. Este interruptor sirve como posición de autoencendido y apagado (Auto-On/Off) de la unidad.



Válvula de alivio de presión

Esta válvula, que se encuentra en el costado del interruptor de presión, está diseñada para liberar aire comprimido de manera automática cuando el compresor llegue a la presión de parada. El aire sólo deberá escapar durante un instante, cerrándose la válvula en seguida.

Tubo de alivio de presión

Válvula de retención

Cuando la bomba no está en operación, esta válvula se cierra para retener la presión de aire dentro del tanque. Es un componente interno.

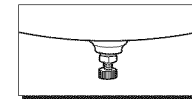
Filtro del aire

Suministra aire limpio a la bomba. Siempre debe conservarlo limpio. Revíselo diariamente o antes de cada uso.

Tapón de llenado de aceite

Visor de aceite

Tubo de salida



Válvula de drenaje

Suministra aire limpio a la bomba. Siempre debe conservarlo limpio. Revíselo diariamente o antes de cada uso.

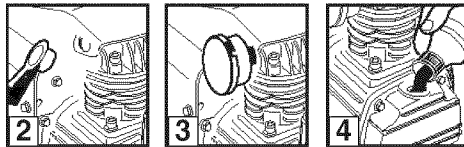
Ensamblaje

▲ ADVERTENCIA

Antes de realizar cualquier instalación y ensamblaje al compresor de aire, se lo debe apagar y desconectar del generador, además de purgar el aire del tanque y darle suficiente tiempo para enfriarse. Existe el riesgo de que las partes móviles, la fuente eléctrica, el aire comprimido y las superficies calientes provoquen lesiones. El ensamble del regulador debe estar instalado antes de usar el compresor. Un ensamblaje inadecuado puede ser causa de fugas y posiblemente de lesiones. Si no está seguro de entender las instrucciones de ensamblaje o tiene dificultad para llevar a cabo el armado, por favor llame a su departamento local de servicio.

Ensamblaje

1. Remueva el compresor de aire, manual, ensamblaje del filtro de aire y accesorios de la empaquetadura.
2. Remueva el tapón de plástico de la salida de aire del compresor. (ver abajo)
3. Instalar el filtro dentro de la entrada de aire del compresor. (ver abajo)
4. Quite el tapón de relleno de aceite del cárter y llénelo hasta que el aceite alcance la parte superior del punto rojo en el visor. La capacidad del aceite es de 88 ml (3 oz US) (Vea abajo). Utilice el aceite no detergente / semi-sintético SAE 30 (aceite de uso pesado para motor API CG/CD). Durante condiciones climáticas de frío extremo, utilice aceite de tipo SAE-10.5. Coloque nuevamente la tapa del tanque de aceite.
5. Coloque nuevamente la tapa del tanque de aceite



Tiempo estimado de ensamblaje:
Aproximadamente 5 minutos

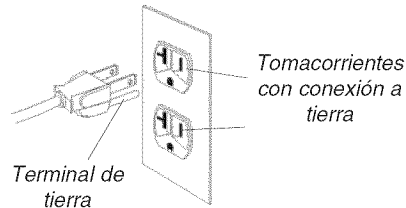
Primer paso:

Ubicación del compresor de aire

El compresor de aire siempre debe estar en un medio ambiente limpio, seco y bien ventilado. La unidad debe tener por lo menos 30 cm de espacio libre en cada lado. La toma del filtro de aire debe estar limpia y sin ningún tipo de obstrucciones. Por favor revise diariamente el filtro de aire para comprobar que esté limpio y en correcto estado de funcionamiento.

Instrucciones de conexión a tierra

Este producto se debe conectar a tierra. En caso de cortocircuito, la conexión a tierra reduce el riesgo de descargas eléctricas al ofrecer una ruta de escape para la corriente eléctrica. Este producto cuenta con un cable que tiene un alambre de tierra y una clavija con terminal de tierra (ver la figura a continuación). La clavija debe enchufarse en un tomacorriente instalado y puesto a tierra según las normas locales. Hable con un electricista o agente de servicio calificado si no entiende completamente estas instrucciones, o si tiene dudas sobre la correcta puesta a tierra de la herramienta.



▲ ADVERTENCIA

Una conexión a tierra inadecuada puede provocar una descarga eléctrica. Si necesita reparar o cambiar el cable o la clavija, no conecte el alambre de tierra a ninguna de las terminales planas. El alambre de tierra es el de color verde, con o sin franjas amarillas. Si no entiende completamente las instrucciones de conexión a tierra, o si tiene dudas sobre la correcta puesta a tierra de la herramienta, hable con un electricista o agente de servicio calificado. No modifique la clavija que viene con el equipo; si no puede enchufarla en el tomacorriente, llame a un electricista calificado para que le instale el tomacorriente adecuado.

Este producto está diseñado para trabajar en un circuito con un voltaje nominal de 120 voltios y está equipado con un cable y clavija que permiten su conexión a un circuito eléctrico apropiado. Asegúrese de que el producto esté conectado a un tomacorriente con la misma configuración que la clavija. No se debe usar un adaptador con este equipo. Si se debe conectar el equipo a un circuito eléctrico de diferente tipo, consiga la ayuda de personal calificado para realizar la reconexión.

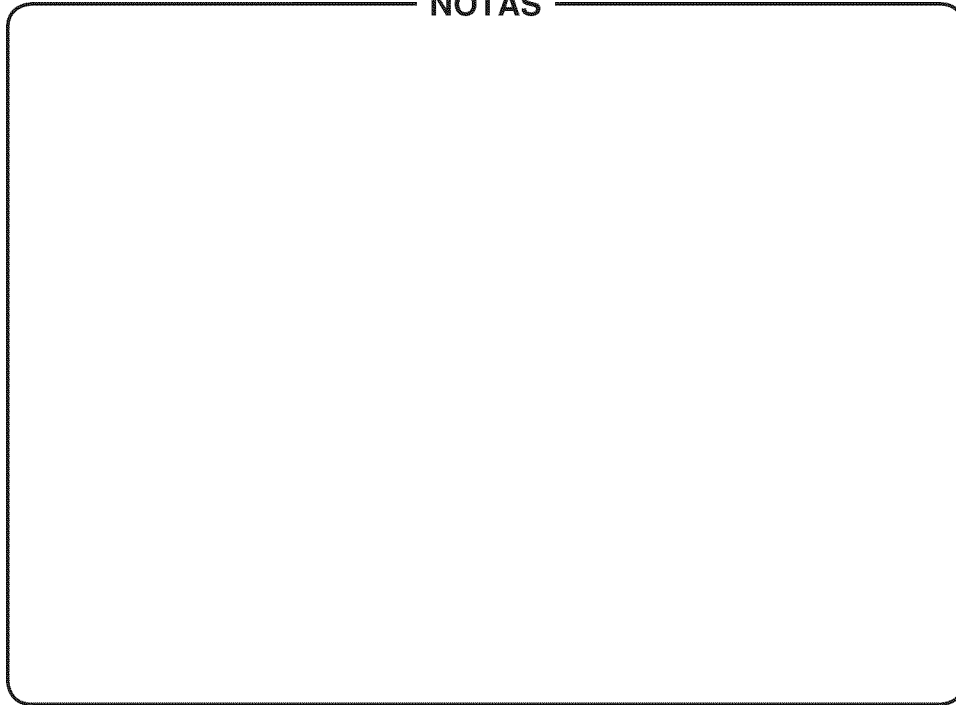
Cables de extensión

Sólo utilice un cable de extensión de tres alambres con una clavija con extensión a tierra de tres terminales que pueda enchufarse en un tomacorriente de tres orificios. Asegúrese de que su cable de extensión esté en buenas condiciones. Si utiliza un cable de extensión, compruebe que sea de la capacidad de corriente que requiere su equipo. Las extensiones no deben ser de más de 25 pies (7.6 m) de largo y deben tener cable de calibre 12 AWG. Un cable más delgado provocará una caída en el voltaje de línea, lo que provocaría una pérdida de potencia y sobrecalentamiento.

Procedimiento inicial de preparación

No se requiere un procedimiento inicial de preparación. Este producto ha sido probado en la fábrica para asegurar su operación y desempeño adecuados.

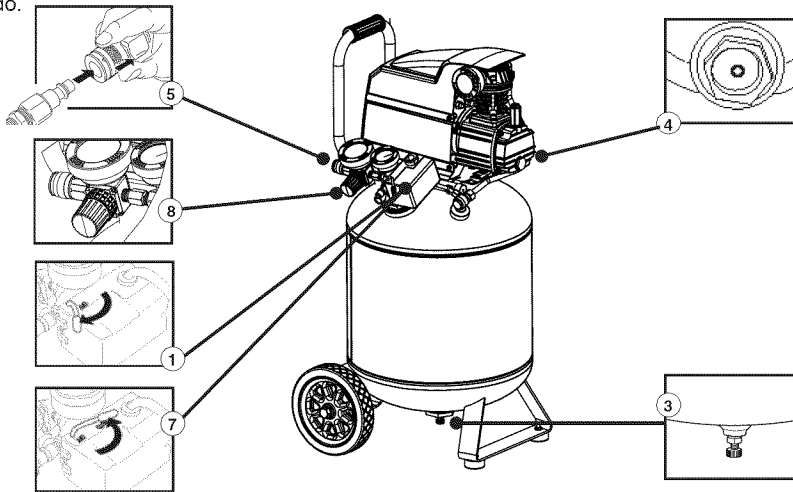
NOTAS



Procedimientos de operación

Procedimiento diario de arranque

1. Ponga el interruptor Auto-On/Off en la posición de apagado (Off).
2. Verifique que el compresor del aire, la manguera de aire y todos los accesorios/herramientas utilizados, no tengan daños ni obstrucción. Si algunas de las piezas descritas requieren reparación/reemplazo, llame a su tienda autorizada local de servicio, antes de usar el compresor.
3. Cierre la válvula de drenaje.
4. Revise el nivel de aceite de la bomba.
5. Enchufe la manguera del aire dentro del conector de acoplamiento rápido de la unidad del regulador, insertando la clavija de conexión rápida en la manguera del aire, dentro del conector de acoplamiento rápido. El collarín del conector de acoplamiento rápido saltará hacia adelante, sujetando la clavija y hará una junta entre el conector y la clavija. Para desconectar la manguera del aire, empuje hacia atrás el collarín del conector de acoplamiento rápido.
6. Enchufe el cable de corriente en un tomacorriente apropiado.
7. Mueva el interruptor Auto-On/Off a la posición de encendido (Auto-On); el compresor deberá arrancar, acumulando la presión del aire en el tanque hasta llegar a la presión de apagado, momento en el cual se apagará de manera automática.
8. Ajuste el regulador a la presión de aire recomendada (PSI) para su aplicación, cerciorándose de que esté dentro de las normas de seguridad para llevar a cabo la tarea. Para las herramientas neumáticas, el manual del fabricante debe tener recomendaciones sobre su presión de operación (PSI).
9. Ahora el compresor del aire está listo para ser usado.



Procedimiento diario de apagado

1. Ponga el interruptor en la posición de apagado (Off).
2. Desconecte el cable del tomacorriente.
3. Ponga en cero el regulador de presión de salida.
4. Desconecte las herramientas y los accesorios. Siempre use protección para los oídos y los ojos al drenar el tanque. Drene el tanque en un lugar adecuado; en casi todos los casos habrá presencia de condensación en el drenaje.
5. Abra la válvula de drenaje permitiendo que escape el aire del tanque. Cuando haya salido del tanque todo el aire, cierre la válvula de drenaje para evitar que entre suciedad.

⚠ PRECAUCIÓN

Al drenar el tanque utilice protección para oídos y ojos. Drene el tanque en un lugar apropiado; en la mayoría de las ocasiones al drenar saldrá condensación.

⚠ ADVERTENCIA

Si no drena el tanque al almacenarlo, en su interior quedará agua que lo corroerá y debilitará, lo cual puede provocar su ruptura. Para evitar lesiones graves, drene el tanque diariamente o después de cada uso.

Mantenimiento

NOTA: Cualquier procedimiento de servicio que no esté cubierto en el programa de mantenimiento que sigue deberá ser efectuado el personal de servicio calificado.

▲ ADVERTENCIA

Antes de dar mantenimiento al equipo, se debe apagar y desconectar del tomacorriente, así como purgar el aire del tanque y permitir que la unidad se enfríe.

▲ PRECAUCIÓN

A fin de asegurar una operación eficiente y una larga vida del compresor, debe seguir un programa de mantenimiento de rutina. El siguiente programa de mantenimiento está enfocado al consumidor cuyo compresor es usado en un medio ambiente normal y diariamente.

Programa para mantenimiento	
Asuntos para verificar /cambiar	Antes de cada uso o diariamente
Revisar la válvula de seguridad del tanque	X
Revisar visualmente el aspecto general de la unidad	X
Revisar el filtro de aire	X
Drenar el tanque	X
Verificar que el cable eléctrico no esté dañado	X
Cambiar el aceite	Después de las primeras 50 horas
	Después de cada 100 horas
Verificar el nivel del aceite	X

Almacenamiento

Para almacenar el compresor, asegúrese de hacer lo siguiente:

1. Apague la unidad y desconecte el cable eléctrico del tomacorriente.
2. Quite del compresor las mangueras, accesorios y herramientas de aire.
3. Lleve a cabo el programa de mantenimiento de rutina.
4. Abra la válvula de drenaje para drenar el aire del tanque.
5. Cierre la válvula de drenaje.
6. Guarde el compresor en un lugar limpio y seco.

NOTAS

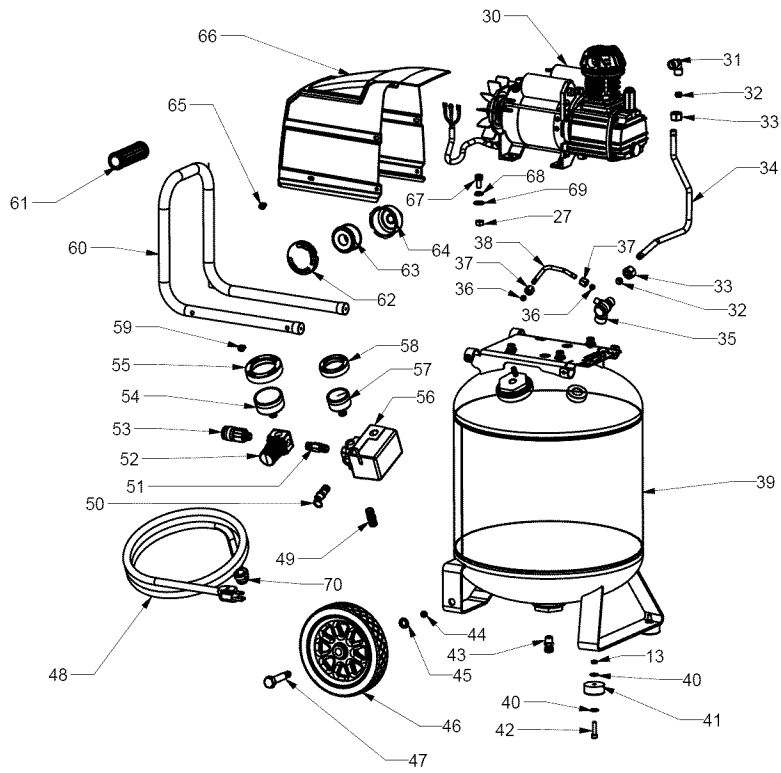
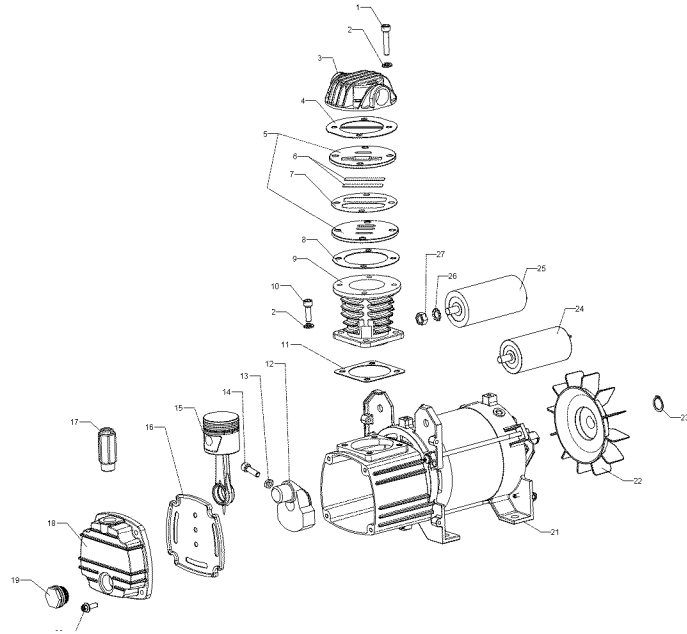
Diagnóstico y corrección de fallas

▲ ADVERTENCIA

Antes de dar mantenimiento al equipo, se le debe apagar y desconectar del tomacorriente, así como purgar el aire del tanque y permitir que la unidad se enfríe. Las partes en movimiento, las fuentes eléctricas, el aire comprimido y las superficies calientes pueden provocar lesiones.

PROBLEMA	POSIBLE CORRECCIÓN
Fuga de aire en la válvula de retención o en la válvula de alivio.	Una válvula de retención defectuosa provoca una fuga de aire constante en la válvula de alivio cuando está apagado el compresor teniendo presión de aire. Drene el tanque y quite y limpie o cambie la válvula de retención.
Fugas de aire entre la cabeza y el cilindro.	Compruebe el apriete de los pernos de la cabeza. Si continúa la fuga, llame a un técnico de servicio.
Fuga de aire en la válvula de seguridad.	Opere manualmente la válvula de seguridad tirando del anillo. Si el tanque continúa teniendo una fuga estando la válvula en posición cerrada, ésta deberá ser cambiada.
La presión indicada en el manómetro de presión.	Si al usar un accesorio hay una caída excesiva de presión, cambie el regulador. NOTA: Ajuste la presión regulada bajo condiciones de flujo (mientras se utiliza un accesorio). Es normal que el manómetro indique una caída de presión mínima al comenzar a utilizar la herramienta.
Presión excesiva en el tanque.	Apague el interruptor de encendido. Si la unidad no se apaga, desconéctela del tomacorriente y comuníquese con un técnico de servicio.
El motor no arranca.	Compruebe que el cable de corriente está enchufado y que el interruptor está encendido. Compruebe que el fusible de la caja de circuitos sea de la capacidad adecuada. Si se ha disparado, restablézcalo y re arranque la unidad. Si el fusible se dispara con frecuencia, revise la válvula de retención o llame a un técnico de servicio.
Humedad excesiva en el aire de salida.	Saque el agua del tanque drenándolo después de cada vez que se use. En los medios ambientes de alta humedad habrá un exceso de condensación; instale filtros de agua en su línea de aire. NOTA: La condensación no es provocada por una falla en el compresor. Compruebe que la salida de aire del compresor sea mayor que el consumo de aire de su herramienta.
Fugas de aire en el cuerpo o la soldadura del tanque.	Nunca taladre, suelde o modifique de ninguna manera el tanque, pues se debilitará. El tanque podría romperse o explotar. El tanque no puede ser reparado. Ya no utilice el compresor de aire.

Compresor de aire – Modelo 16923
Vista esquemática



Compresor de aire – Modelo 16923

Lista de las piezas

# de ref.	# de kit	# de parte	descripción de parte	cant.	# de ref.	# de kit	# de parte	descripción de parte	cant.
1	3		Tornillo, M6 X 1.0 mm X 30 mm	4	28			N/A	
2	3		Arandela de freno M6	8	29			N/A	
3	3	E100227	Culata de cilindro	1	30	3		Conjunto, Motor/bomba, L1B2 con escape izquierdo	1
4	1 & 3		Junta de culata, placa de válvula	1	31		E100809	Conexión en codo, 3/8NPT x 3/8 pulg. compr.	1
5	3	E100228	Placa de válvula	2	32	6		Casquillo, 3/8 pulg.	2
6	3	E100229	Válvula	2	33	8		Tuerca, compresión, 3/8 pulg.	2
7	1 & 3		Junta, placa de válvula	1	34	6		Tubo de salida 3/8 pulg. de alum. con aletas	1
8	1 & 3		Junta de cilindro, placa de válvula	1	35		E101362	Válvula de seguridad, puerto superior	1
9	2 & 3	E101113	Cilindro	1	36	5		Casquillo, 3/8 pulg.	2
10	3		Tornillo, SHC M6 x 1.0 x 20 mm	4	37	5		Tuerca, compr. 3/8 pulg.	2
11	1 & 3		Junta de cilindro - inferior	1	38	5		Tubo, alivio de presión, 1/4 pulg. Alum.	1
12	2 & 3		Excéntrico para L1	1	39			Conjunto de tanque / Armazón, 10 galones, L110VWS	1
13	2 & 3		Tuerca, Hex, M6x1.0	3	40			Arandela, plana M6	2
14	2 & 3		Tornillo, SHC M6 x 1.0 x 20 mm	1	41		E101037	Aislador, caucho	2
15	2 & 3		Conjunto, pistón / biela L1	1	42			Tornillo, SHC, M6 x 1.0 x 25 mm	2
16	1 & 3		Deflector para L1	1	43		E100098	Válvula, drenaje - Multivuelta	1
17	3	E100087	Tapón de relleno de aceite / sin anillo	1	44	7		Tuerca, Hex M10x1.25	2
18	3	E100566	Tapa de cárter para L1	1	45	7		Arandela, plana M10	2
19	3	E100078	Tapón, visor de nivel de aceite / con junta	1	46	7		Rueda, cubo negro	2
20	3		Tornillo, HFH M5 x 0.8 x 15 mm (cincado en amarillo)	4	47	7		Perno de espaldón, M10x1.25x45 mm	2
21	3		Conjunto de Motor/caja de bomba, L1B2	1	48		E101340	Cordón eléctrico, 16/3 AWG tipo ST, 6 pi de longitud	1
22	3	E100860	Ventilador, motor F1 125 mm	1	49		E100853	Boquilla, 1/4 pulg. NPT X 35 mm	1
23	3		Anillo elástico, exterior, 15 mm	1	50		E102611	Válvula, seguridad	1
24	3	E100247	Condensador de marcha	1	51		E102857	Boquilla, 1/4 pulg. NPT X 43 mm	1
25	3	E100248	Condensador de arranque	1	52		E100059	Regulador, Estructura cuadrada – Caudal izq.	1
26	3		Arandela de freno con dientes, 8 mm	2					
27	3		Tuerca, M8x1.25, ZDC 6.5 mm de alt.	6					

Compresor de aire – Modelo 16923
 Lista de las piezas

# de ref.	# de kit	# de parte	descripción de parte	cant.
53		E100307	Conexión rápida, latón	1
54		E103369	Manómetro de presión, (50 mm 135 PSI Der./ Izq. 1/4 pulg NPT)	1
55		E104074	Aro manómetro / herramientas (50 mm)	1
56		E106477	Conjunto, interruptor, presión (135 PSI)	1
57		E103363	Manómetro de presión, (38 mm w/135 PSI - Der./Izq.)	1
58		E104568	Aro manómetro / tanque (38 mm)	1
59			Tornillo, Hex embreadado, M5X0.8X15 mm	4
60		E101335	Agarradera	1
61		E105883	Toma, caucho	1
62	4		Tapa, filtro	1
63	4	E100435	Elemento, filtro de entrada de aire	1
64	41		Base, filtro de aire	1
65			Tornillo, Hex embreadado, M5X0.8X10 mm	
66		E105615	Caja	1
67			Perno, SHC M8 x 1.25 x 25 mm (ZDC Placa)	4
68			Arandela de freno M8	4
69			Arandela, plana M8	4
70		E101802	Protector, 16/3 AWG ST	1

Nota: Cualquier campo para los números/juegos de piezas que no tengan un número específico de pieza, indica que no está disponible. Las descripciones se proveen solamente como referencias. La columna con el número de juego indica que la pieza ofrecida está disponible como parte de un juego. Una de cada una de las piezas está ofrecida.

Los números de los juegos y las piezas que están incluidos se describen a continuación:

Juego #	Pedido #	Nombre del juego	Ref. # Componente
1	E100959	Juego, Juntas de reemplazo	4,7,8,11,16
2	E100251	Juego, Pistón - (Nota: Pida el juego de juntas #1, también, cuando pida este juego)	9,12 hasta 15
3	E105154	Juego - Conjunto, Motor/Bomba, L1B2 con escape izquierdo	1 - 27, 30
4	E100794	Juego, Filtro de aire	62-64
5	E105953	Juego, Tubo de alivio de presión, 1/4 pulg. de alum.	36-38
6	E105952	Juego, Tubo de salida 3/8 pulg. de alum.	32-34
7	E102192	Juego, Rueda (Este juego es para solamente una rueda)	44-47

NOTAS

Get it fixed, at your home or ours!

Your Home

For repair – *in your home* – of *all* major brand appliances, lawn and garden equipment, or heating and cooling systems, ***no matter who made it, no matter who sold it!***

For the replacement parts, accessories and owner's manuals that you need to do-it-yourself.

For Sears professional installation of home appliances and items like garage door openers and water heaters.

1-800-4-MY-HOME® (1-800-469-4663)

Call anytime, day or night (U.S.A. and Canada)

www.sears.com

www.sears.ca

Our Home

For repair of carry-in items like vacuums, lawn equipment, and electronics, call or go on-line for the location of your nearest

Sears Parts & Repair Center.

1-800-488-1222

Call anytime, day or night (U.S.A. only)

www.sears.com

To purchase a protection agreement on a product serviced by Sears:

1-800-827-6655 (U.S.A.)

1-800-361-6665 (Canada)

Para pedir servicio de reparación a domicilio, y para ordenar piezas:

1-888-SU-HOGARSM
(1-888-784-6427)

Au Canada pour service en français:

1-800-LE-FOYER^{MC}
(1-800-553-6937)
www.sears.ca

SEARS

® Registered Trademark/™ Trademark/SM Service Mark of Sears, Roebuck and Co.

® Marca Registrada/™ Marca de Fábrica/SM Marca de Servicio de Sears, Roebuck and Co.

MC Marque de commerce/MD Marque déposée de Sears, Roebuck and Co.

© Sears, Roebuck and Co.

Free Manuals Download Website

<http://myh66.com>

<http://usermanuals.us>

<http://www.somanuals.com>

<http://www.4manuals.cc>

<http://www.manual-lib.com>

<http://www.404manual.com>

<http://www.luxmanual.com>

<http://aubethermostatmanual.com>

Golf course search by state

<http://golfingnear.com>

Email search by domain

<http://emailbydomain.com>

Auto manuals search

<http://auto.somanuals.com>

TV manuals search

<http://tv.somanuals.com>