

Operator's Manual



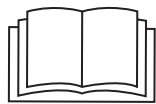
T1000, T2000 & T3000 SERIES LAWN TRACTORS

Model Nos. 247.27327*, 247.20372*, 247.20377*,
247.27373*, 247.27374*, 247.27372*, 247.27343*,
247.27341*, 247.25587*, 247.25588*, 247.25589*,
247.25586*, 247.27330*

* -- Last digit of model number varies

Safe Operation Practices	2	Off-Season Storage	28
Slope Gauge	7	Troubleshooting	29
Assembly & Set-Up	8	Español	32
Controls & Operation.....	14	Warranty/Service.....	See Separate Supplement
Service & Maintenance.....	19		

NOTE: This Operator's Manual covers several models. Features may vary by model. Not all features in this manual are applicable to all models and the model depicted may differ from yours.



This product has a low emission engine which operates differently from previously built engines. Before you start the engine, read and understand this Craftsman Operator's Manual and the Engine Operator's Manual.

⚠ CAUTION

Before using this equipment, read this manual and follow all safety rules and operating instructions.

To order parts or schedule service for this product, call:

1-888-331-4569

Craftsman Customer Hot Line

Sears Brands Management Corporation, Hoffman Estates, IL 60179 U.S.A.

Used under license

Visit our website: www.craftsman.com



Form No. 769-11207B

(November 21, 2017)

SAFETY INSTRUCTIONS

WARNING

This symbol points out important safety instructions which, if not followed, could endanger the personal safety and/or property of yourself and others. Read and follow all instructions in this manual before attempting to operate this machine. Failure to comply with these instructions may result in personal injury. When you see this symbol, HEED ITS WARNING!

WARNING

CALIFORNIA PROPOSITION 65

Engine Exhaust, some of its constituents, and certain vehicle components contain or emit chemicals known to State of California to cause cancer and birth defects or other reproductive harm.
Battery posts, terminals, and related accessories contain lead and lead compounds, chemicals known to the State of California to cause cancer and reproductive harm. Wash hands after handling.

DANGER

This machine was built to be operated according to the safe operation practices in this manual. As with any type of power equipment, carelessness or error on the part of the operator can result in serious injury. This machine is capable of amputating fingers, hands, toes and feet and throwing debris. Failure to observe the following safety instructions could result in serious injury or death.

WARNING

Your Responsibility—Restrict the use of this power machine to persons who read, understand and follow the warnings and instructions in this manual and on the machine.

SAVE THESE INSTRUCTIONS!

GENERAL OPERATION

- Read, understand, and follow all instructions on the machine and in the manual(s) before attempting to assemble and operate. Keep this manual in a safe place for future and regular reference and for ordering replacement parts.
- Be familiar with all controls and their proper operation. Know how to stop the machine and disengage them quickly.
- Never allow children under 14 years old to operate this machine. Children 14 years old and over should read and understand the operation instructions and safety rules in this manual and should be trained and supervised by a parent.
- Never allow adults to operate this machine without proper instruction.
- To help avoid blade contact or a thrown object injury, keep bystanders, helpers, children and pets at least 75 feet from the machine while it is in operation. Stop machine if anyone enters the area.
- Thoroughly inspect the area where the equipment is to be used. Remove all stones, sticks, wire, bones, toys, and other foreign objects which could be picked up and thrown by the blade(s). Thrown objects can cause serious personal injury.
- Plan your mowing pattern to avoid discharge of material toward roads, sidewalks, bystanders and the like. Also, avoid discharging material against a wall or obstruction which may cause discharged material to ricochet back toward the operator.
- Always wear safety glasses or safety goggles during operation and while performing an adjustment or repair to protect your eyes. Thrown objects which ricochet can cause serious injury to the eyes.
- Wear sturdy, rough-soled work shoes and close-fitting slacks and shirts. Loose fitting clothes and jewelry can be caught in movable parts. Never operate this machine in bare feet or sandals.
- Be aware of the mower and attachment discharge direction and do not point it at anyone. Do not operate the mower without the discharge cover or entire grass catcher in its proper place.
- Do not put hands or feet near rotating parts or under the cutting deck. Contact with the blade(s) can amputate hands and feet.
- A missing or damaged discharge cover can cause blade contact or thrown object injuries.
- Stop the blade(s) when crossing gravel drives, walks, or roads and while not cutting grass.
- Watch for traffic when operating near or crossing roadways. This machine is not intended for use on any public roadway.
- Do not operate the machine while under the influence of alcohol or drugs.
- Mow only in daylight or good artificial light.
- Never carry passengers.
- Disengage blade(s) before shifting into reverse. Back up slowly. Always look down and behind before and while backing to avoid a back-over accident.
- Slow down before turning. Operate the machine smoothly. Avoid erratic operation and excessive speed.
- Disengage blade(s), set parking brake, stop engine and wait until the blade(s) come to a complete stop before removing grass catcher, emptying grass, unclogging chute, removing any grass or debris, or making any adjustments.
- Never leave a running machine unattended. Always turn off blade(s), set parking brake, stop engine and remove key before dismounting.
- Use extra care when loading or unloading the machine into a trailer or truck. This machine should not be driven up or down ramp(s), because the machine could tip over, causing serious personal injury. The machine must be pushed manually on ramp(s) to load or unload properly.
- Muffler and engine become hot and can cause a burn. Do not touch.

SAFETY INSTRUCTIONS

- Check overhead clearances carefully before driving under low hanging tree branches, wires, door openings etc., where the operator may be struck or pulled from the machine, which could result in serious injury.
- Disengage all attachment clutches and depress the brake pedal completely before attempting to start engine.
- Your machine is designed to cut normal residential grass of a height no more than 10". Do not attempt to mow through unusually tall, dry grass (e.g., pasture) or piles of dry leaves. Dry grass or leaves may contact the engine exhaust and/or build up on the mower deck presenting a potential fire hazard.
- Use only accessories and attachments approved for this machine by the machine manufacturer. Read, understand and follow all instructions provided with the approved accessory or attachment. For a list of approved accessories and attachments, call 1-888-331-4569.
- Data indicates that operators, age 60 years and above, are involved in a large percentage of riding mower-related injuries. These operators should evaluate their ability to operate the riding mower safely enough to protect themselves and others from serious injury.
- If situations occur which are not covered in this manual, use care and good judgment.

SLOPE OPERATION

Slopes are a major factor related to loss of control and tip-over accidents which can result in severe injury or death. All slopes require extra caution. If you cannot back up the slope or if you feel uneasy on it, do not mow it.

For your safety, use the Slope Guide included as part of this manual to measure slopes before operating this machine on a sloped or hilly area. If the slope is greater than 15 degrees as shown on the Slope Guide, do not operate this machine on that area or serious injury could result.

Do:

- Mow up and down slopes, not across. Exercise extreme caution when changing direction on slopes.
- Watch for holes, ruts, bumps, rocks, or other hidden objects. Uneven terrain could overturn the machine. Tall grass can hide obstacles.
- Use slow speed. Choose a low enough speed setting so that you will not have to stop or shift while on the slope. Tires may lose traction on slopes even though the brakes are functioning properly. Always keep machine in gear when going down slopes to take advantage of engine braking action.
- Follow the manufacturer's recommendations for wheel weights or counterweights to improve stability.
- Use extra care with grass catchers or other attachments. These can change the stability of the machine.
- Keep all movement on the slopes slow and gradual. Do not make sudden changes in speed or direction. Rapid engagement or braking could cause the front of the machine to lift and rapidly flip over backwards which could cause serious injury.
- Avoid starting or stopping on a slope. If tires lose traction, disengage the blade(s) and proceed slowly straight down the slope.

Do Not:

- Do not turn on slopes unless necessary; then, turn slowly and gradually downhill, if possible.
- Do not mow near drop-offs, ditches or embankments. The mower could suddenly turn over if a wheel is over the edge of a cliff, ditch, or if an edge caves in.
- Do not try to stabilize the machine by putting your foot on the ground.
- Do not use a grass catcher on steep slopes.
- Do not mow on wet grass. Reduced traction could cause sliding.
- Do not attempt to coast downhill. Over-speeding may cause the operator to lose control of the machine resulting in serious injury or death.
- Do not tow heavy pull behind attachments (e.g. loaded dump cart, lawn roller, etc.) on slopes greater than 5 degrees. When going down hill, the extra weight tends to push the tractor and may cause you to lose control (e.g. tractor may speed up, braking and steering ability are reduced, attachment may jack-knife and cause tractor to overturn).

CHILDREN

Tragic accidents can occur if the operator is not alert to the presence of children. Children are often attracted to the machine and the mowing activity. They do not understand the dangers. Never assume that children will remain where you last saw them.

- Keep children out of the mowing area and in watchful care of a responsible adult other than the operator.
- Be alert and turn machine off if a child enters the area.
- Before and while backing, look behind and down for small children.
- Never carry children, even with the blade(s) shut off. They may fall off and be seriously injured or interfere with safe machine operation.
- Use extreme care when approaching blind corners, doorways, shrubs, trees or other objects that may block your vision of a child who may run into the machine.
- To avoid back-over accidents, always disengage the cutting blade(s) before shifting into Reverse. If equipped, the "Reverse Caution Mode" (blades operate while machine rides in reverse) should not be used when children or others are around.
- Keep children away from hot or running engines. They can suffer burns from a hot muffler.
- Remove key when machine is unattended to prevent unauthorized operation.

Never allow children under 14 years of age to operate this machine. Children 14 and over should read and understand the instructions and safe operation practices in this manual and on the machine and should be trained and supervised by an adult.

TOWING

- Tow only with a machine that has a hitch designed for towing. Do not attach towed equipment except at the hitch point.
- Follow the manufacturer's recommendation for weight limits for towed equipment and towing on slopes.
- Never allow children or others in or on towed equipment.

SAFETY INSTRUCTIONS

- On slopes, the weight of the towed equipment may cause loss of traction and loss of control.
- Always use extra caution when towing with a machine capable of making tight turns (e.g. “zero-turn” ride-on mower). Make wide turns to avoid jack-knifing.
- Travel slowly and allow extra distance to stop.
- Do not coast downhill.
- Periodically check to make sure the blades come to complete stop within approximately (5) five seconds after operating the blade disengagement control. If the blades do not stop within this time frame, your machine should be serviced professionally by a Sears or other qualified service dealer.
- Check brake operation frequently as it is subjected to wear during normal operation. Adjust and service as required.
- Check the blade(s) and engine mounting bolts at frequent intervals for proper tightness. Also, visually inspect blade(s) for damage (e.g., excessive wear, bent, cracked). Replace the blade(s) with the original equipment manufacturer’s (O.E.M.) blade(s) only, listed in this manual. Use of parts which do not meet the original equipment specifications may lead to improper performance and compromise safety!

SERVICE

Safe Handling of Gasoline:

To avoid personal injury or property damage use extreme care in handling gasoline. Gasoline is extremely flammable and the vapors are explosive. Serious personal injury can occur when gasoline is spilled on yourself or your clothes which can ignite. Wash your skin and change clothes immediately.

- Use only an approved gasoline container.
- Never fill containers inside a vehicle or on a truck or trailer bed with a plastic liner. Always place containers on the ground away from your vehicle before filling.
- When practical, remove gas-powered equipment from the truck or trailer and refuel it on the ground. If this is not possible, then refuel such equipment on a trailer with a portable container, rather than from a gasoline dispenser nozzle.
- Keep the nozzle in contact with the rim of the fuel tank or container opening at all times until fueling is complete. Do not use a nozzle lock-open device.
- Extinguish all cigarettes, cigars, pipes and other sources of ignition.
- Never fuel machine indoors.
- Never remove gas cap or add fuel while the engine is hot or running. Allow engine to cool at least two minutes before refueling.
- Never over fill fuel tank. Fill tank to no more than ½ inch below bottom of filler neck to allow space for fuel expansion.
- Replace gasoline cap and tighten securely.
- If gasoline is spilled, wipe it off the engine and equipment. Move machine to another area. Wait 5 minutes before starting the engine.
- To reduce fire hazards, keep machine free of grass, leaves, or other debris build-up. Clean up oil or fuel spillage and remove any fuel soaked debris.
- Never store the machine or fuel container inside where there is an open flame, spark or pilot light as on a water heater, space heater, furnace, clothes dryer or other gas appliances.
- Allow a machine to cool at least five minutes before storing.
- Mower blades are sharp. Wrap the blade or wear gloves, and use extra caution when servicing them.
- Keep all nuts, bolts, and screws tight to be sure the equipment is in safe working condition.
- Never tamper with the safety interlock system or other safety devices. Check their proper operation regularly.
- After striking a foreign object, stop the engine, disconnect the spark plug wire(s) and ground against the engine. Thoroughly inspect the machine for any damage. Repair the damage before starting and operating.
- Never attempt to make adjustments or repairs to the machine while the engine is running.
- Grass catcher components and the discharge cover are subject to wear and damage which could expose moving parts or allow objects to be thrown. For safety protection, frequently check components and replace immediately with original equipment manufacturer’s (O.E.M.) parts only, listed in this manual. Use of parts which do not meet the original equipment specifications may lead to improper performance and compromise safety!
- Do not change the engine governor settings or over-speed the engine. The governor controls the maximum safe operating speed of the engine.
- Maintain or replace safety and instruction labels, as necessary.
- Observe proper disposal laws and regulations for gas, oil, etc. to protect the environment.
- According to the Consumer Products Safety Commission (CPSC) and the U.S. Environmental Protection Agency (EPA), this product has an Average Useful Life of seven (7) years, or 270 hours of operation. At the end of the Average Useful Life, buy a new machine or have the machine inspected annually by a Sears or other qualified service dealer to ensure that all mechanical and safety systems are working properly and not worn excessively. Failure to do so can result in accidents, injuries or death.

General Service

- Never run an engine indoors or in a poorly ventilated area. Engine exhaust contains carbon monoxide, an odorless, and deadly gas.
- Before cleaning, repairing, or inspecting, make certain the blade(s) and all moving parts have stopped. Disconnect the spark plug wire and ground against the engine to prevent unintended starting.

SAFETY INSTRUCTIONS

DO NOT MODIFY ENGINE

To avoid serious injury or death, do not modify engine in any way. Tampering with the governor setting can lead to a runaway engine and cause it to operate at unsafe speeds. Never tamper with factory setting of engine governor.

NOTICE REGARDING EMISSIONS

Engines which are certified to comply with California and federal EPA emission regulations for SORE (Small Off Road Equipment) are certified to operate on regular unleaded gasoline, and may include the following emission control systems: Engine Modification (EM), Oxidizing Catalyst (OC), Secondary Air Injection (SAI) and Three Way Catalyst (TWC) if so equipped.

SPARK ARRESTOR

WARNING

This machine is equipped with an internal combustion engine and should not be used on or near any unimproved forest-covered, brushcovered or grass-covered land unless the engine's exhaust system is equipped with a spark arrestor meeting applicable local or state laws (if any).

If a spark arrestor is used, it should be maintained in effective working order by the operator. In the State of California the above is required by law (Section 4442 of the California Public Resources Code). Other states may have similar laws. Federal laws apply on federal lands.

A spark arrestor for the muffler is available through your nearest Sears Parts and Repair Service Center.

For location and purchase information, call 1-888-331-4569.

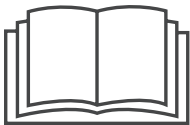







WARNING: Your Responsibility—Restrict the use of this power machine to persons who read, understand and follow the warnings and instructions in this manual and on the machine.









SAVE THESE INSTRUCTIONS!

SAFETY SYMBOLS

This page depicts and describes safety symbols that may appear on this product. Read, understand, and follow all instructions on the machine before attempting to assemble and operate.

Symbol	Description
	READ THE OPERATOR'S MANUAL(S) Read, understand, and follow all instructions in the manual(s) before attempting to assemble and operate
	DANGER— ROTATING BLADES Never carry passengers. Never carry children, even with the blades off.
	DANGER— ROTATING BLADES Mowing in reverse is not recommended.
	WARNING— ROTATING BLADES Do not put hands or feet near rotating parts or under the cutting deck. Contact with the blade(s) can amputate hands and feet.
	DANGER— ROTATING BLADES Always look down and behind before and while backing to avoid a back-over accident.
	WARNING—THROWN OBJECTS This machine may pick up and throw and objects which can cause serious personal injury.

SAFETY INSTRUCTIONS

Symbol	Description
	DANGER — SAFETY DEVICES Keep safety devices (guards, shields, switches, etc.) in place and working.
	BYSTANDERS Keep bystanders, helpers, children and pets at least 75 feet from the machine while it is in operation.
	WARNING— SLOPE OPERATION Do not operate this machine on a slope greater than 15 degrees. Do not mow across slopes. Mow up and down slopes no greater than 15 degrees. Avoid sudden turns. Use low speed. If machine stops going uphill, stop blades and back down slowly.
	WARNING— HOT SURFACE Engine parts, especially the muffler, become extremely hot during operation. Allow engine and muffler to cool before touching.
	DANGER — ROTATING BLADES To reduce the risk of injury, keep hands and feet away. Do not operate unless discharge cover or grass catcher is in its proper place. If damaged, replace immediately.
	WARNING — FIRE HAZARD Allow machine to cool before fueling or storing.
	WARNING — FIRE HAZARD Do not drive through piles of dry leaves or tall grass. Keep machine free of debris.
	WARNING — FIRE HAZARD Operation of this equipment may create sparks that can start fires around dry vegetation. A spark arrestor may be required. The operator should contact local fire agencies for laws or regulations relating to fire prevention requirements. Do not allow debris to accumulate. The build up of debris can lead to a fire.

SLOPE GAUGE

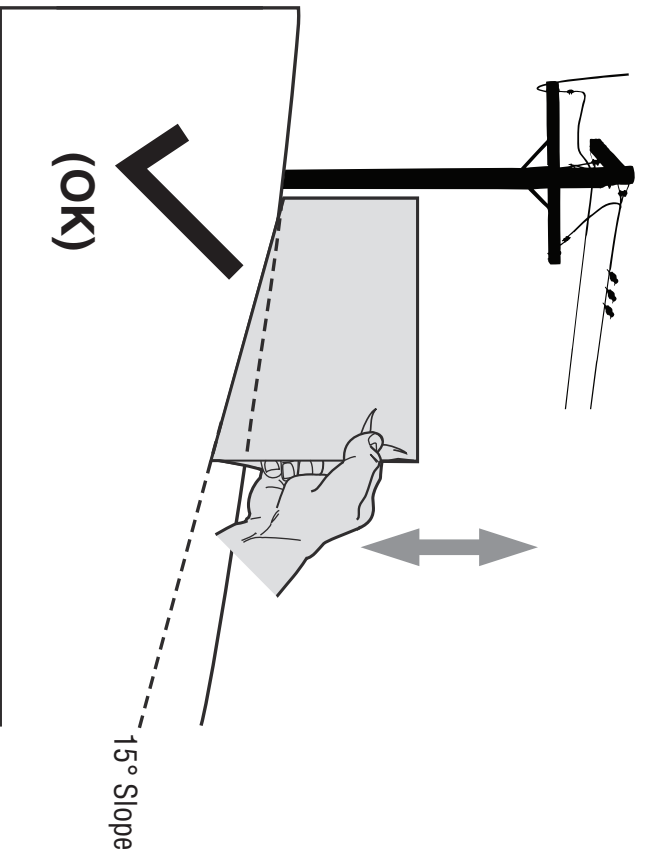


Figure 1

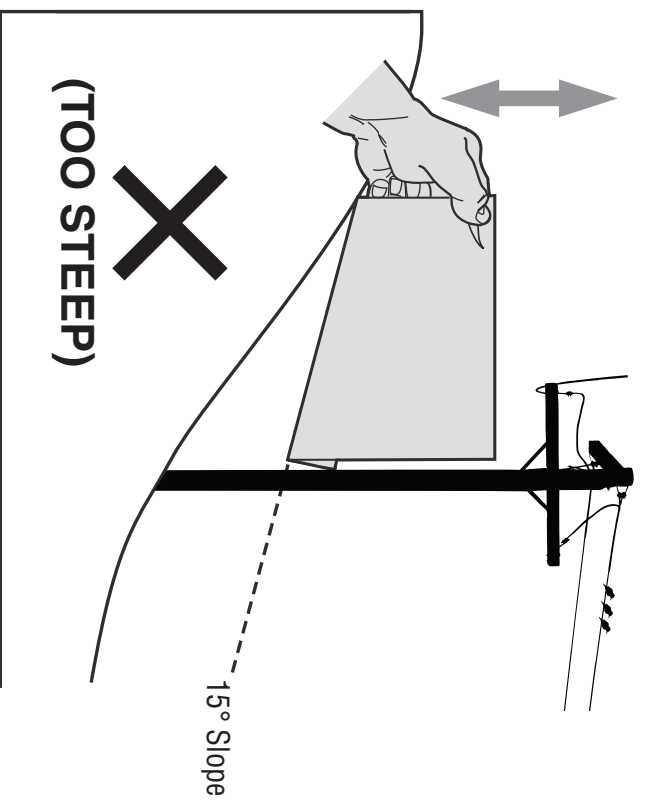
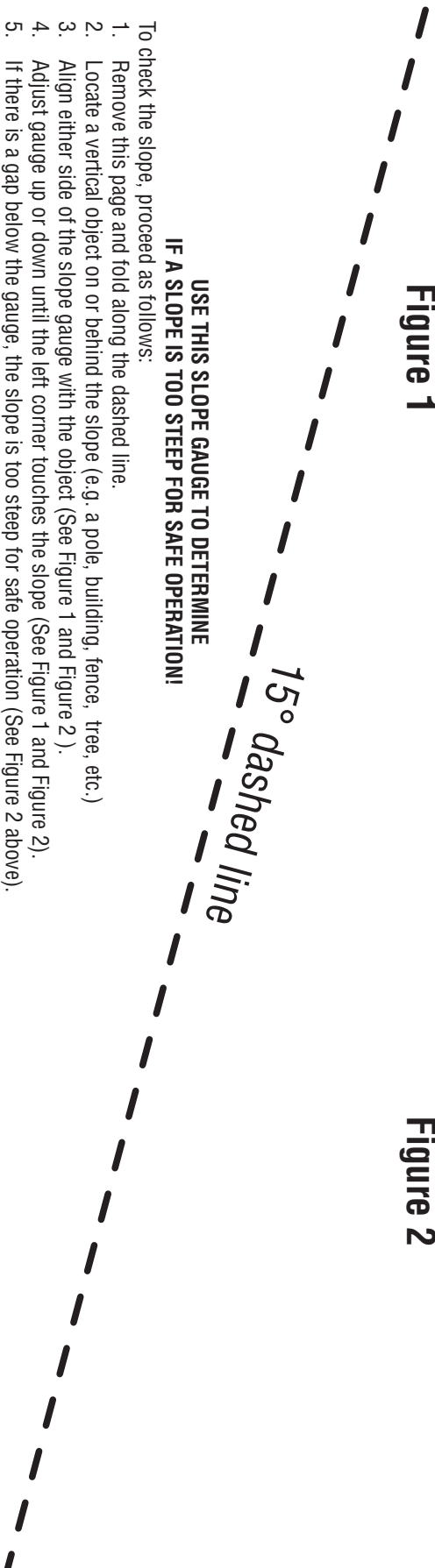


Figure 2

USE THIS SLOPE GAUGE TO DETERMINE IF A SLOPE IS TOO STEEP FOR SAFE OPERATION!

To check the slope, proceed as follows:

1. Remove this page and fold along the dashed line.
2. Locate a vertical object on or behind the slope (e.g. a pole, building, fence, tree, etc.)
3. Align either side of the slope gauge with the object (See Figure 1 and Figure 2).
4. Adjust gauge up or down until the left corner touches the slope (See Figure 1 and Figure 2).
5. If there is a gap below the gauge, the slope is too steep for safe operation (See Figure 2 above).



⚠ WARNING

Slopes are a major factor related to tip-over and roll-over accidents which can result in severe injury or death. Do not operate machine on slopes in excess of 15 degrees. All slopes require extra caution. If you cannot back up the slope or if you feel uneasy on it, do not mow it. Always mow up and down the face of slopes, never mow across the face of slopes.

ASSEMBLY & SET-UP

Contents of Carton

- Lawn Tractor (1)
- Ignition Key (2)
- Plastic Oil Drain Sleeve (1) †
- Oil Drain Hose (1) †
- Hood Scoop (1) †
- Steering Wheel (1) -- Cup Washer (1) & Hex Bolt (1)
- Seat (1)
- Dash Shroud (1) †
- Deck Wash Nozzle (1) †
- Hose Coupler (1) †
- Operator's Manual (1)
- Engine Operator's Manual (1)
- Fast Start Guide (1)†
- Parts/Warranty Document (1)
- Product Registration Card (1) †

† — If Equipped

NOTE: This Operator's Manual covers several models. Features may vary by model. Not all features in this manual are applicable to all models and the model depicted may differ from yours. Refer to Figure 2-1 to match your transmission style; Foot Control CVT (Continuously Variable Transmission) or CVT (Continuously Variable Transmission), or Hydrostatic.

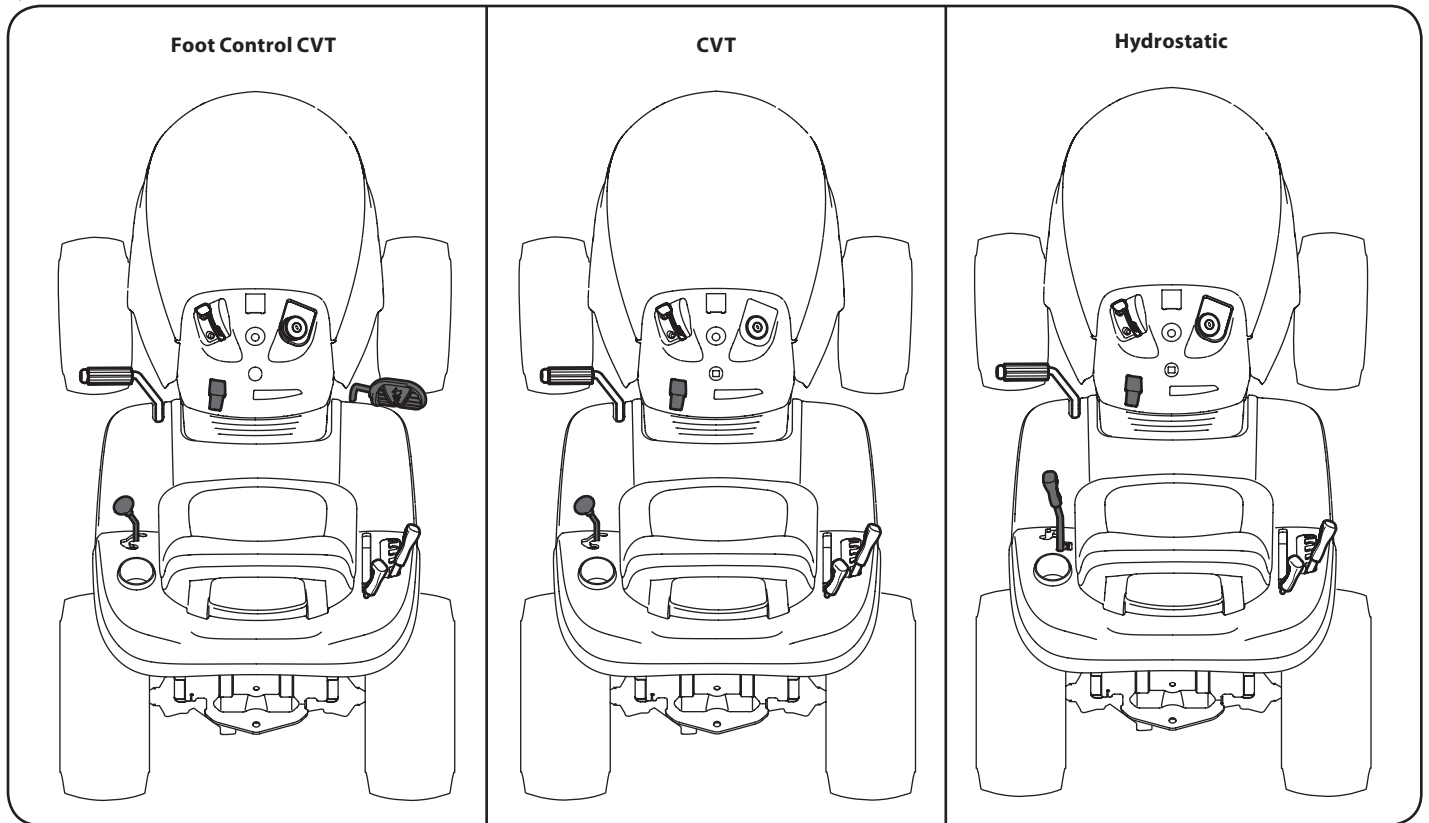


Figure 1

NOTE: This Operator's Manual covers several models. Features may vary by model. Not all features in this manual are applicable to all models and the model depicted may differ from yours. Refer to Figure 1 to match your transmission style; Foot Control CVT (Continuously Variable Transmission) or CVT (Continuously Variable Transmission).

Tools Required

- Adjustable Wrench or Socket Set

Connecting the Battery Cables

⚠ WARNING

CALIFORNIA PROPOSITION 65 WARNING: Battery posts, terminals, and related accessories contain lead and lead compounds, chemicals known to the State of California to cause cancer and reproductive harm. Wash hands after handling.

⚠ CAUTION

When attaching battery cables, always connect the **POSITIVE (Red)** wire to its terminal first, followed by the **NEGATIVE (Black)** wire.

For shipping reasons, both battery cables on your equipment may have been left disconnected from the terminals at the factory. To connect the battery cables, proceed as follows:

ASSEMBLY & SET-UP

NOTE: The positive battery terminal is marked Pos. (+). The negative battery terminal is marked Neg. (-).

1. Remove the plastic cover, if present, from the positive battery terminal and attach the red cable to the positive battery terminal (+) with the bolt (a) and hex nut (b). See Figure 2.

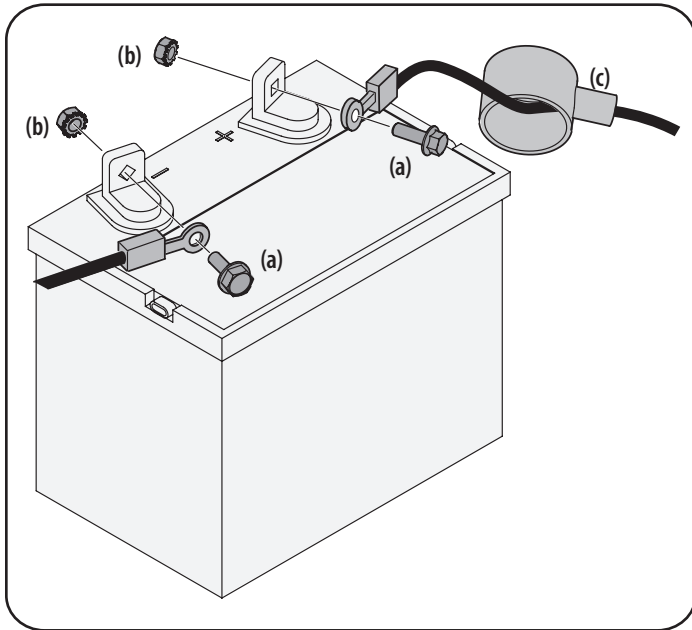


Figure 2

2. Remove the plastic cover, if present, from the negative battery terminal and attach the black cable to the negative battery terminal (-) with the bolt (a) and hex nut (b). See Figure 2.
3. Position the red rubber boot (c) over the positive battery terminal to help protect it from corrosion.

NOTE: If the battery is put into service after the date shown on top/side of battery, charge the battery as instructed in the Service section your Operator's Manual on page 24 prior to operating the tractor.

Shipping Brace Removal

⚠ WARNING

Make sure the tractor's engine is OFF, remove the ignition key, and set the parking brake before removing the shipping brace. Refer to the Controls & Operations section on page 16 for instructions on how to set the parking brake.

Check the cutting deck for a shipping brace (a) that may be holding the chute deflector (b) upward for shipment. If the shipping brace (a) is present, it must be removed before operating the tractor. Holding the chute deflector (b) fully upward, remove the shipping brace (a). Lower the chute deflector (b) and discard the shipping brace (a). See Figure 2-3.

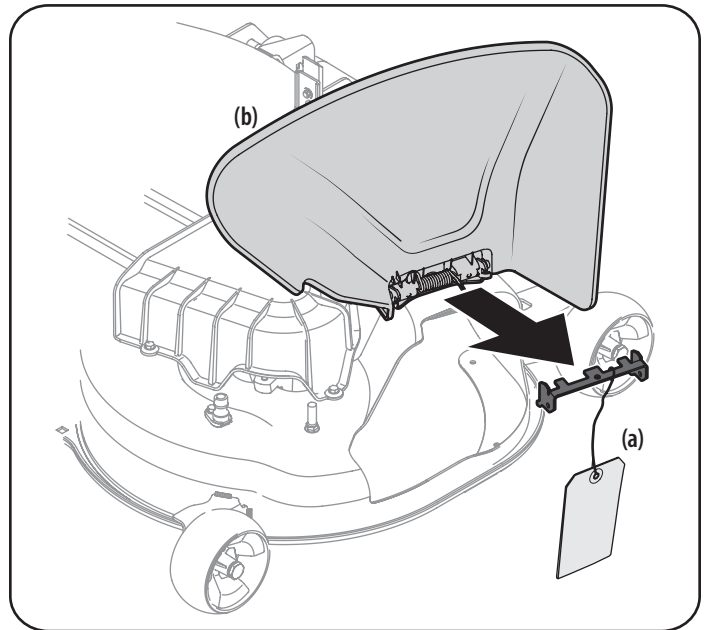


Figure 3

⚠ WARNING

The shipping brace (a) is used for packaging purposes only, it must be removed and discarded before operating your tractor.

⚠ WARNING

The cutting deck is capable of throwing objects. Failure to operate the tractor without the chute deflector in the proper operating position could result in serious personal injury and/or property damage.

ASSEMBLY & SET-UP

Attaching the Steering Wheel

1. If the steering wheel (a) for your tractor did not come attached, the hardware for attaching it has been packed within the steering wheel (a), beneath the steering wheel cap (b). Carefully pry OFF the steering wheel cap (b) and remove the cupped washer (c) and hex bolt (d). See Figure 4.

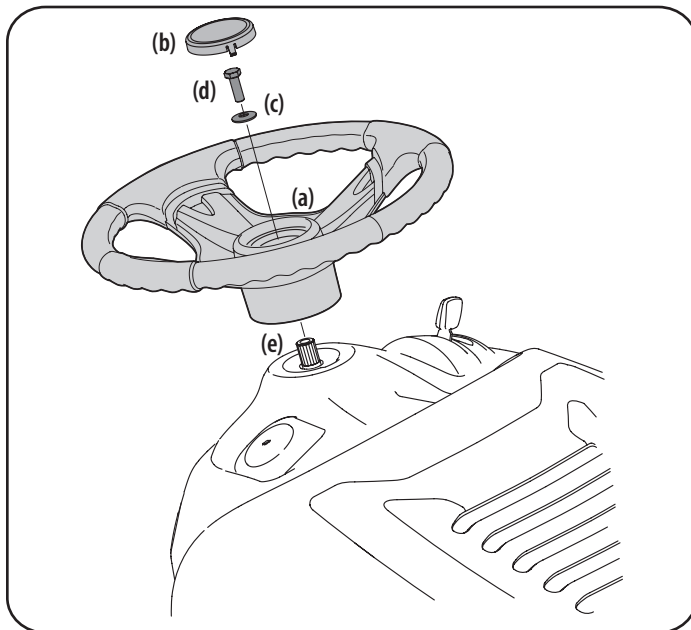


Figure 4

2. With the wheels of the tractor pointing straight forward, place the steering wheel (a) over the steering shaft (e). See Figure 4.
3. Place the cupped washer (c) -- cupped side down -- over the steering wheel (a) and secure with the hex bolt (d). See Figure 4.
4. Place the steering wheel cap (b) over the center of the steering wheel (a) and push downward until it "clicks" into place. See Figure 4.

Attaching the Seat

If the seat for your tractor was not attached at the factory, refer to the following steps.

NOTE: For shipping reasons, seats are either fastened to the tractor seat's pivot bracket with a cable tie, or mounted backward to the pivot bracket. In either case, remove the seat from its shipping position.

1. Remove the seat adjustment knob (a) from the bottom of the seat (b). See Figure 5.

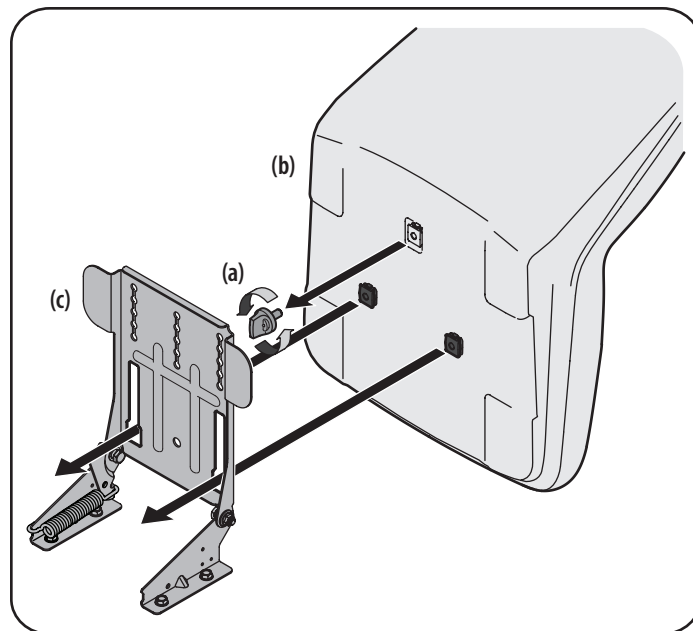


Figure 5

2. Align the seat (b) over the seat pivot bracket (c) as shown in Figure 5 and fit the seat (b) onto the seat pivot bracket (c) inserting the two tabs on the seat (b) bottom into the slots on the seat pivot bracket (c).
3. Slide the seat (b) rearward in the seat pivot bracket (c), lining up the center rear slot in the seat pivot bracket (c) with the remaining hole in the seat (b) base. See Figure 6.

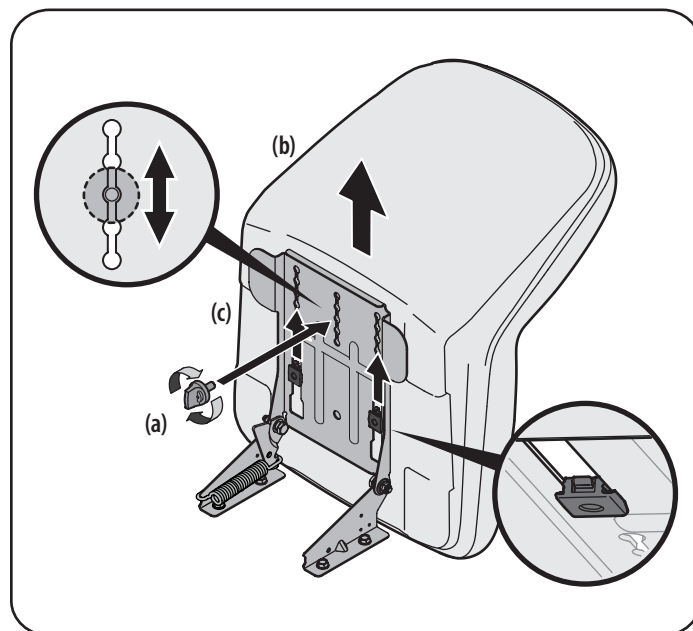


Figure 6

ASSEMBLY & SET-UP

NOTE: Be certain the two seat tabs engage the seat pivot bracket as shown in the bottom right inset of Figure 6.

4. Select the desired position for the seat (b), and secure with the adjustment knob (a) removed in Step 1. See Figure 6.
5. To adjust the position of the seat, remove the adjustment knob (a) on the bottom of the seat (b). Slide the seat (b) forward or backward as desired. Reinstall the adjustment knob (a). See Figure 6.

Dash Shroud (If Equipped)

1. If the dash shroud (a) was shipped loose, the hardware for attaching the dash shroud (a) is shipped installed in the dash shroud (a). Remove the two bolts (b) from the dash shroud (a). See Figure 7.

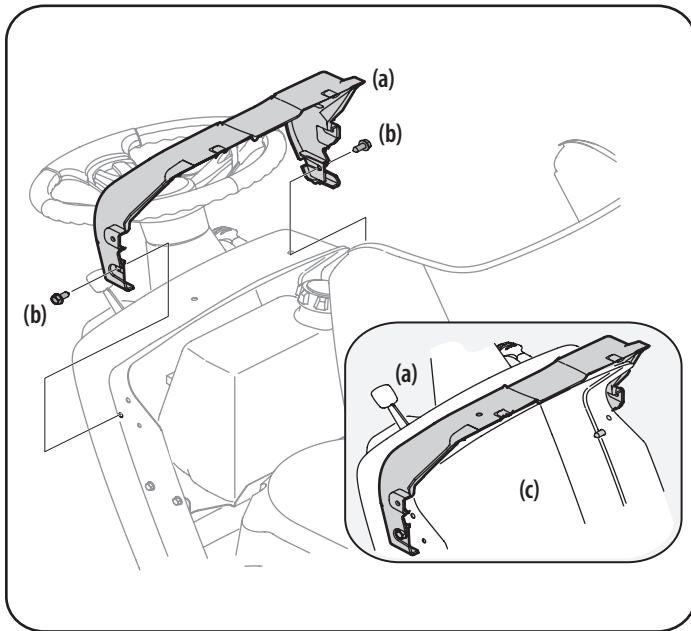


Figure 7

2. Mount the dash shroud (a) and align the mounting holes. See Figure 7.
3. Secure the dash shroud (a) to the dash (c) with the bolts (b) removed in Step 1. See Figure 7.

Tire Pressure

WARNING

Equal tire pressure should be maintained at all times. Never exceed the maximum inflation pressure shown on the sidewall of the tire.

The recommended operating tire pressure is:

- Approximately 10 psi for the rear tires
- Approximately 14 psi for the front tires

IMPORTANT: Refer to the tire sidewall for exact tire manufacturer's recommended or maximum psi. Do not overinflate. Uneven tire pressure could cause the cutting deck to mow unevenly.

Gas & Oil Fill-up

Oil

IMPORTANT: Your tractor is shipped with motor oil in the engine. However, you **MUST** check the oil level before operating. Be careful not to overfill.

Service and check the engine oil as instructed in the Engine Operator's Manual. Read the instructions carefully.

Gasoline

The gasoline tank is located under the hood. Do not overfill.

WARNING

Use extreme care when handling gasoline. Gasoline is extremely flammable and the vapors are explosive. Never fuel machine indoors or while the engine is hot or running. Extinguish cigarettes, cigars, pipes, and other sources of ignition.

NOTE: Purchase gasoline in small quantities. Do not use gasoline left over from the previous season, to minimize gum deposits in the fuel system.

- This engine is certified to operate on unleaded gasoline. For best results, fill the fuel tank with only clean, fresh, unleaded gasoline with a pump sticker octane rating of 87 or higher.
- Gasohol (up to 10% ethyl alcohol, 90% unleaded gasoline by volume) is an approved fuel. Other gasoline/alcohol blends, such as E85, are not approved.
- Methyl Tertiary Butyl Ether (MTBE) and unleaded gasoline blends (up to a maximum of 15% MTBE by volume) are approved fuels. Other gasoline/ether blends are not approved.
- Fill fuel tank outdoors or in well-ventilated area.
- Never remove gas cap or add fuel while the engine is hot or running. Allow engine to cool at least two minutes before refueling.
- If gasoline is spilled, wipe it off the engine and equipment. Move machine to another area. Wait five minutes before starting the engine.

To Add Gasoline

Refer to Figure 1 and proceed to your applicable model for your gas tank.

Hydrostatic Models

1. Turn the engine OFF and let the engine cool at least two minutes before removing the fuel cap. The gasoline tank is located under the hood. Remove the fuel cap by turning it counter-clockwise.

ASSEMBLY & SET-UP

2. Fill the fuel tank with gasoline. Use only clean, fresh (no more than 30 days old), unleaded gasoline. Fill tank to the base of the filler neck to allow space for fuel expansion. **DO NOT TOP OFF THE TANK WITH FUEL.** See Figure 8.

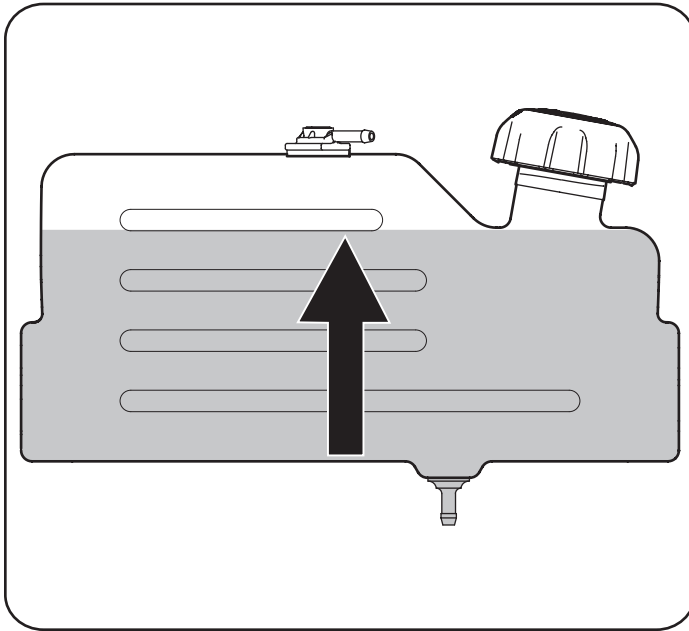


Figure 8

3. Reinstall the fuel cap.



STOP! Continue to Setting the Deck Gauge Wheels (If Equipped) on page 12.

Foot Control CVT Models & CVT Models

1. Turn the engine OFF and let engine cool at least two minutes before removing the fuel cap. The gasoline tank is located under the hood. Remove the fuel cap by turning it counter-clockwise.

2. Fill the fuel tank with gasoline. Use only clean, fresh (no more than 30 days old), unleaded gasoline. Fill tank to no more than $\frac{1}{2}$ " below bottom of filler neck to allow space for fuel expansion. See Figure 9.

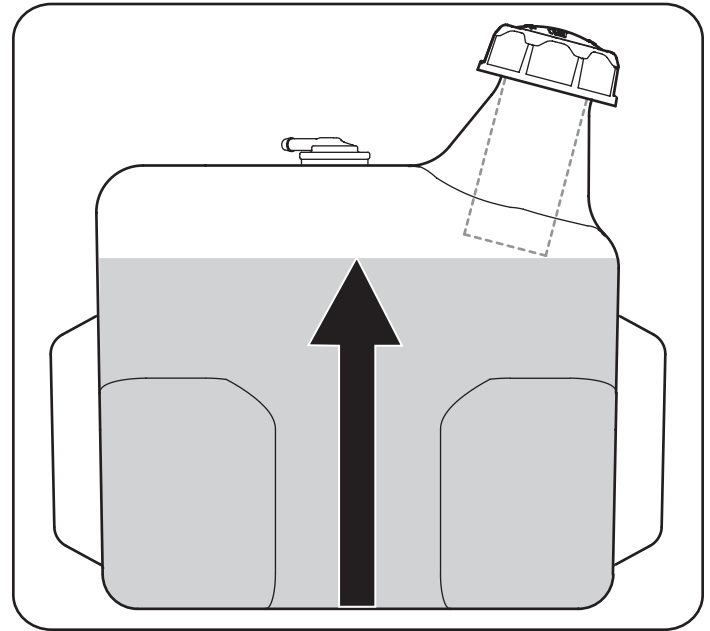


Figure 9

3. Reinstall the fuel cap.

IMPORTANT: Do not overfill the tank. Fill tank to no more than $\frac{1}{2}$ " below bottom of filler neck to allow space for fuel expansion. See Figure 9.



STOP! Continue to Setting the Deck Gauge Wheels (If Equipped) on page 12.

Setting the Deck Gauge Wheels (If Equipped)

Move the tractor to a firm and level surface, preferably pavement, and proceed as follows:

1. Select the height position of the cutting deck by placing the deck lift lever in the normally desired mowing height setting (there are six different cutting height notches on the right fender).
2. Check the deck gauge wheels for contact or excessive clearance with the surface below. The deck gauge wheels should have between $\frac{1}{4}$ " and $\frac{1}{2}$ " clearance above the ground.
3. If the gauge wheels have excessive clearance or contact with the surface, adjust as follows:
 - a. Raise the deck lift handle to its highest setting.

ASSEMBLY & SET-UP

- Remove the front and rear deck gauge wheels (a) by removing the lock nuts (b) and shoulder screws (c) which secure them to the deck. See Figure 10.
- Install the hood scoop onto the hood of the tractor and secure from the underside using the four screws removed in Step 2.

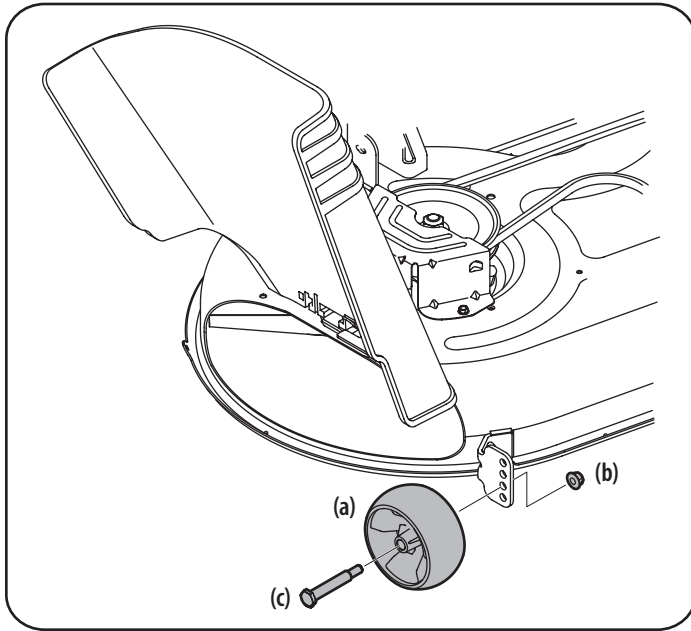


Figure 10

- Place the deck lift lever in the desired mowing height setting.
 - Reinsert the shoulder screws (c) into the index hole that leaves approximately $\frac{1}{2}$ " between the bottom of the deck gauge wheel (a) and the pavement. Secure in place with the lock nuts (c).
4. Refer to Leveling the Deck in the Service section on page 25 of this manual for more detailed instructions regarding various deck adjustments.

Attaching the Hood Scoop (If Necessary/If Equipped)

- On some tractors, a hood scoop may be included. If the hood scoop was not installed on the hood of your tractor at the factory, refer to the following steps to install the hood scoop:
- Cut the cable ties securing the hood scoop to the tractor.
- Remove the four screws pre-installed in the hood scoop and retain for Step 4.
- Snap the hood scoop into place using the hood as your guide. See Figure 11.

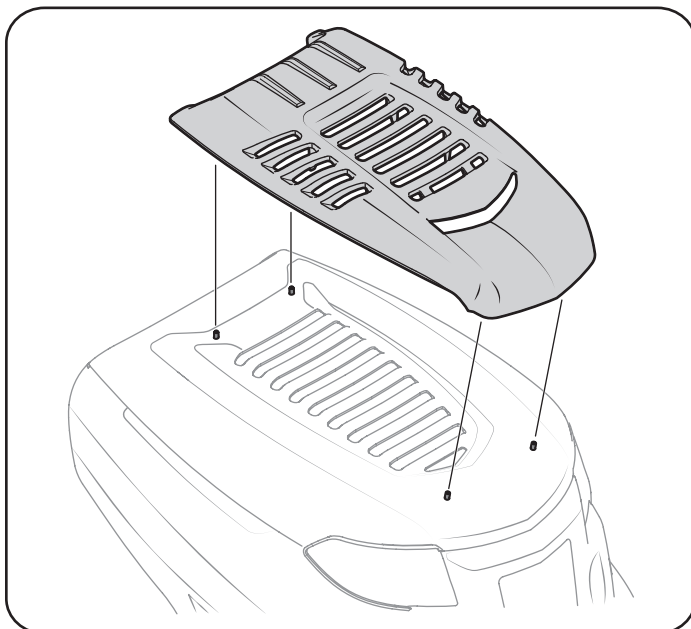


Figure 11

Moving the Tractor Manually

CVT models can be placed in the NEUTRAL (N) position when it is necessary to move the tractor manually. To move the tractor manually, place the shift lever in the NEUTRAL (N) position.



STOP! Continue to Controls & Operations section page 15.

OPERATION

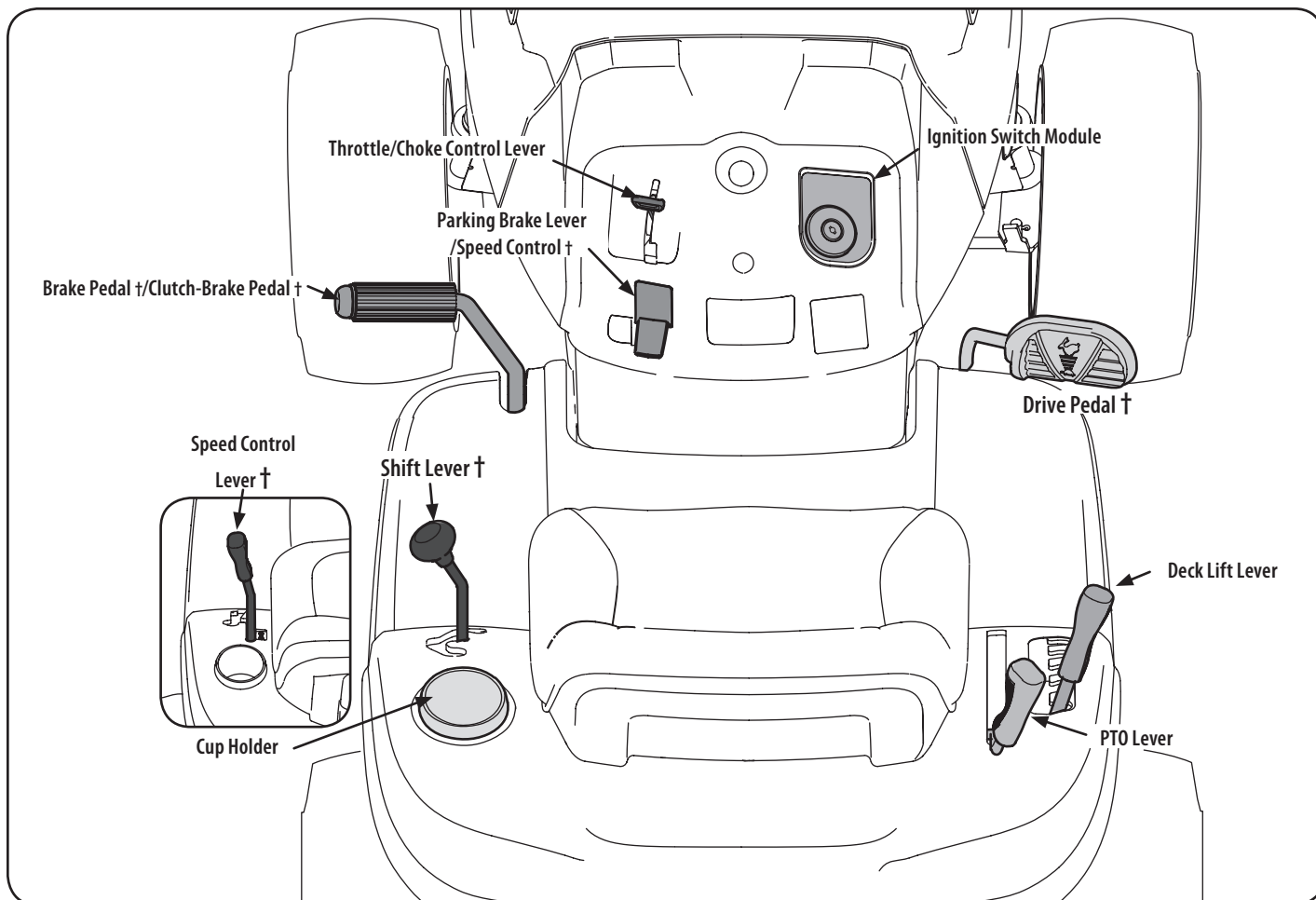


Figure 13

Now that you have set up your riding mower, it's important to become acquainted with its controls and features. Refer to Figure 13.

NOTE: References to LEFT, RIGHT, FRONT, and REAR indicate that position on the riding mower when facing forward while seated in the operator's seat.

Throttle/Choke Control Lever

The throttle/choke control lever is located on the left side of the lawn tractor's dash panel. This lever controls the speed of the engine, as well as the choke when it is pushed all the way forward. When set in a given position, the throttle will maintain a uniform engine speed.

IMPORTANT: When operating the lawn tractor with the cutting deck engaged, be certain that the throttle/choke control lever is always in the FAST (rabbit) position.

Moving the throttle/choke control lever all the way forward activates the engine's choke control. Activating the choke control closes the choke plate on the carburetor and aids in starting the engine.

Refer to Starting the engine on page 18 for detailed starting instructions.



Speed Control Lever Hydrostatic Models

The speed control lever, located on the left rear fender, controls the ground speed of the lawn tractor as well as the direction of travel.

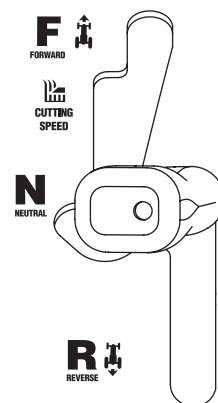
To drive forward or in reverse, slowly move the speed control lever to the desired "F" forward or "R" reverse speed.

To stop, move the speed control lever to the "N" neutral position.

When mowing, place the speed control lever in the "Cutting Speed" position, or a slower forward speed for the best results.

NOTE: Do not use the parking brake pedal to control the ground speed of the lawn tractor. Always use the speed control lever to slow the ground speed of the lawn tractor. Depressing the parking brake pedal with the speed control lever engaged as part of regular operation will result in premature wear of the drive belt.

IMPORTANT: Do not attempt to change the direction of travel when the lawn tractor is in motion. Serious damage to the lawn tractor's transmission could result. Always bring the lawn tractor to a complete stop before moving the speed control lever from forward to reverse or vice versa.



OPERATION

CVT

The speed control lever, located on the lower left side of the lawn tractor's dash console, allows you to regulate the ground speed of the lawn tractor.

To use, depress the clutch-brake pedal and move the lever out of the parking brake notch and forward to increase the lawn tractor's ground speed. When a desired speed has been reached, release the lever into an appropriate notch to maintain that speed.

To slow the lawn tractor's ground speed, depress the clutch-brake pedal and move the speed control lever rearward and release it into a notch.

Parking Brake Pedal & Lever (If equipped)

The parking brake pedal is located on the left side running board of the lawn tractor. It is used to set the parking brake and to stop the lawn tractor in sudden situations. The parking brake lever is located on the left side of the lawn tractor's dash panel.

To set the parking brake: Fully depress the parking brake pedal. Move the parking brake lever all the way down and into the parking brake position (PARK BRAKE ON) and then release the brake pedal to allow the parking brake to engage.

To release the parking brake: Depress the brake pedal and the parking brake lever will automatically move out of the parking brake position.

In a sudden situation, fully depress the brake pedal to bring the lawn tractor to a stop and then immediately move the speed control lever to the "N" neutral position.

IMPORTANT: Do not use the parking brake pedal to control the ground speed of the lawn tractor. Doing so will result in premature wear of drive belt. Always use the speed control lever to control the ground speed of the lawn tractor and to stop the lawn tractor under normal circumstances.

NOTE: The parking brake pedal must be depressed to start the engine. The parking brake must also be set if the operator leaves the seat with the engine running or the engine will automatically shut OFF. Refer to Safety Interlock Switches on page 14.

Clutch-Brake Pedal (If equipped)

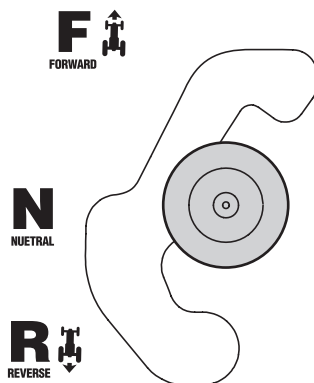
The clutch-brake pedal is located on the left side of the lawn tractor, along the running board. Depress the clutch-brake pedal part way down when slowing the tractor by changing speeds (Refer to Speed Control Lever). Depress the pedal all the way down to engage the disc brake and bring the tractor to a complete stop.

NOTE: The pedal must be depressed to start the engine. Refer to Safety Interlock Switches later in this section of this manual.

Shift Lever (CVT & Foot Control CVT Models)

The shift lever is located on the left side of the fender and has three positions; FORWARD (F), NEUTRAL (N) and REVERSE (R). The brake pedal must be depressed and the lawn tractor must not be in motion when moving the shift lever.

IMPORTANT: Never force the shift lever. Doing so may result in serious damage to the lawn tractor's transmission.



Drive Pedal (If equipped)

The drive pedal is located on the right side of the lawn tractor, along the running board. Depress the drive pedal forward and the lawn tractor will move in the direction that the shift lever is engaged in. To cause the lawn tractor to travel forward, while at a complete stop, move the shift lever into the FORWARD (F) position. Gradually step on the drive pedal and the lawn tractor will begin to move forward. To move in REVERSE (R), follow the same procedure only move the shift lever into the REVERSE (R) position.

The ground speed is controlled with the drive pedal. The further forward that the pedal is pivoted, the faster the lawn tractor will travel. The pedal will return to its original position when it's not depressed. Refer to Driving the Lawn Tractor on page 19 for detailed instructions regarding the drive pedal.

IMPORTANT: Always set the parking brake when leaving the lawn tractor unattended.

Headlights

The headlights are located on the front of the lawn tractor.

- On some models, the lamps are ON when the lawn tractor's engine is running.
- On some models, the lamps are ON whenever the ignition key is moved out of the STOP position.
- On all models, the lamps turn OFF when the ignition key is moved to the STOP position.

Ignition Switch Module

To start the engine, insert the key into the ignition switch and turn clockwise to the START position. Release the key into the NORMAL MOWING MODE position once the engine has fired. The headlights will be activated in the NORMAL (and REVERSE CAUTION MODES).

To stop the engine, turn the key counter-clockwise to the OFF or STOP position. See Figure 14.

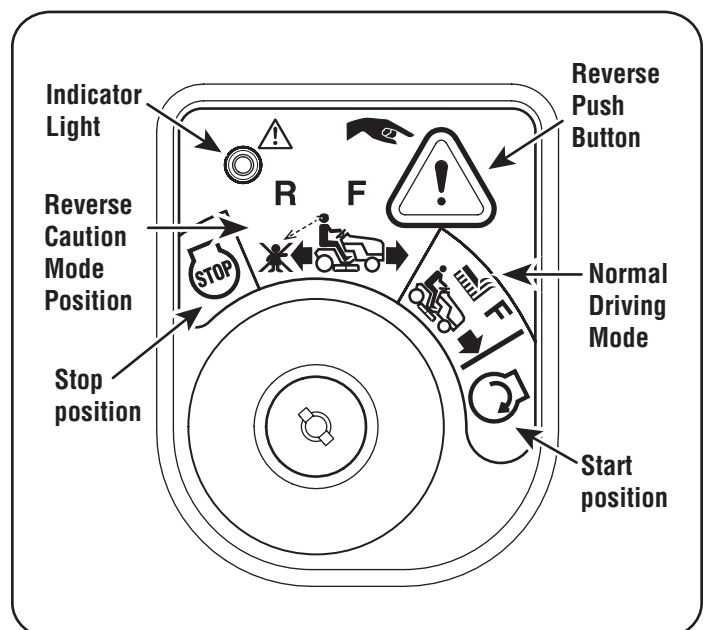


Figure 14

OPERATION

⚠ WARNING

Never leave a running machine unattended. Always disengage PTO, move shift lever into neutral position, set parking brake, stop engine and remove key to prevent unintended starting.

IMPORTANT: Prior to operating the lawn tractor, refer to both Safety Interlock Switches and Starting The Engine in the Operation section of this manual for detailed instructions regarding the Ignition Switch Module and operating the lawn tractor in REVERSE CAUTION MODE.

Deck Lift Lever

The deck lift lever is located on the lawn tractor's right fender. It is used to change the height of the cutting deck. To use, move the lever to the left, then place in the position best suited for your application.

PTO Lever

The PTO Lever is located on the lawn tractor's right fender. It is used to engage power to the cutting deck or other optional attachments. To operate, move the lever all the way forward. Moving the lever all the way rearward into the PTO OFF position disengages power to the cutting deck or attachment.

NOTE: The PTO lever must be in the disengaged (OFF) position when starting the engine.



Safety Interlock Switches

This lawn tractor is equipped with a safety interlock system for the protection of the operator. If the interlock system malfunctions, do not operate the lawn tractor. Contact an authorized service dealer.

- The safety interlock system prevents the engine from cranking or starting unless the parking brake is engaged, and the PTO lever is in the disengaged (OFF) position.
- The engine will automatically shut OFF if the operator leaves the seat before engaging the parking brake.
- The engine will automatically shut OFF if the operator leaves the lawn tractor's seat with the PTO lever in the engaged (ON) position, regardless of whether the parking brake is engaged.
- With the ignition key in the NORMAL DRIVING MODE position, the engine will automatically shut OFF if the PTO lever is moved into the engaged (ON) position with the speed control in REVERSE (R) position.

⚠ WARNING

Do not operate the lawn tractor if the interlock system is malfunctioning. This system was designed for your safety and protection.

Reverse Caution Mode

⚠ WARNING

Use extreme caution while operating the lawn tractor in the REVERSE CAUTION MODE. Always look down and behind before and during lawn tractor backing. Do not operate the lawn tractor when children or others are around. Stop the lawn tractor immediately if someone enters the area.

The REVERSE CAUTION MODE position of the ignition switch module allows the lawn tractor to be operated in reverse with the blades (PTO) engaged.

IMPORTANT: Mowing in the reverse direction is not recommended.

To use the REVERSE CAUTION MODE:

IMPORTANT: The operator MUST be seated in the lawn tractor seat.

1. Start the engine as instructed on page 18.
2. Turn the key from the NORMAL DRIVING MODE (Green) position to the REVERSE CAUTION MODE (Yellow) position of the ignition switch module. See Figure 15.

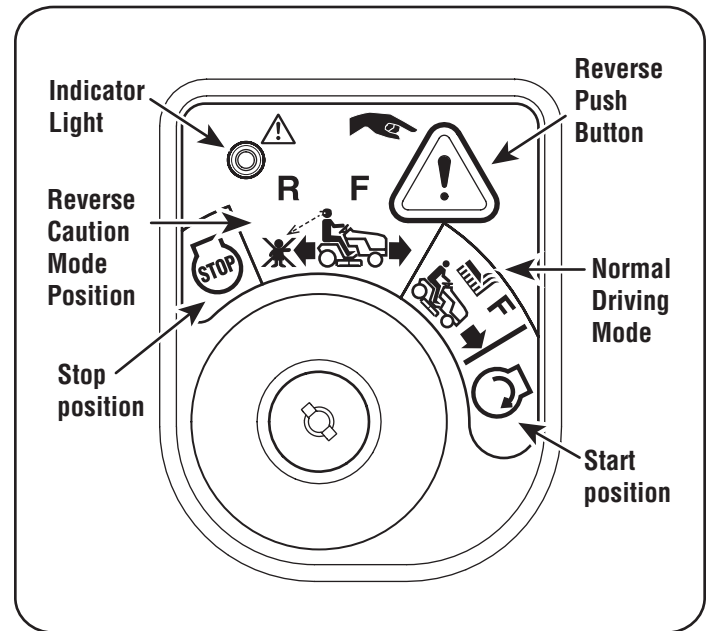


Figure 15

3. Depress the REVERSE PUSH BUTTON (Orange, Triangular Button) at the top, right corner of the ignition switch module. The red indicator light at the top, left corner of the ignition switch module will be ON while activated. See Figure 15.
4. Once activated (indicator light ON), the lawn tractor can be driven in reverse with the cutting blades (PTO) engaged.
5. Always look down and behind before and while backing to make sure no children are around.
6. After resuming forward motion, return the key to the NORMAL DRIVING MODE position.

IMPORTANT: The REVERSE CAUTION MODE will remain activated until:

- The key is placed in either the NORMAL DRIVING MODE position or STOP position.
- The operator engages the parking brake by fully depressing the brake pedal and holding it down while moving the parking brake lever into the PARK BRAKE position.

Engaging the Parking Brake

1. Fully depress the brake pedal/clutch-brake pedal and hold it down with your foot.
2. Move the parking brake lever all the way down and into the ON position.
3. Release the brake pedal/clutch-brake pedal to allow the parking brake to engage.

Releasing the Parking Brake

Depress the brake pedal/clutch-brake pedal and move the parking brake lever out of the ON position and into the OFF position.

OPERATION

Setting the Cutting Height

1. Select the height position of the cutting deck by placing the deck lift lever in any of the five different cutting height notches on the right side of the fender.
2. Adjust the deck wheels, if equipped, so that they are between ¼" and ½" above the ground when the lawn tractor is on a smooth, flat surface such as a driveway.

WARNING

Keep hands and feet away from the discharge opening of the cutting deck.

NOTE: On models so equipped, the deck wheels are an anti-scalp feature of the deck and are not designed to support the weight of the cutting deck.

NOTE: Refer to Leveling the Deck on page 25 for more detailed instructions regarding various deck adjustments.

Starting the Engine

WARNING

Do not operate the lawn tractor if the interlock system is malfunctioning. This system was designed for your safety and protection.

NOTE: Refer to Gas & Oil fill-up instructions on page 11.

1. Insert the key into the ignition switch.
2. Place the PTO lever in the disengaged (PTO OFF) position.
3. Engage the lawn tractor's parking brake (if equipped).
4. Activate the choke control.
5. Turn the key clockwise to the START position. After the engine starts, release the key. It will return to the PTO ON (or NORMAL DRIVING MODE) position.
IMPORTANT: Do NOT hold the key in the START position for longer than 10 seconds at a time. Doing so may cause damage to your engine's electric starter.
6. After the engine starts, deactivate the throttle/choke control lever and place the throttle/choke control lever in the FAST position.

NOTE: Do NOT leave the choke control on while operating the lawn tractor. Doing so will result in a "rich" fuel mixture and cause the engine to run poorly.

Stopping the Engine

WARNING

If you strike a foreign object, stop the engine, disconnect the spark plug wire(s) and ground against the engine. Thoroughly inspect the machine for any damage. Repair the damage before restarting and operating.

1. If the blades are engaged, place the PTO lever in the disengaged (OFF) position.
2. Turn the key counter-clockwise to the STOP position.
3. Remove the key from the ignition switch to prevent unintended starting.

Driving the Lawn Tractor

IMPORTANT: First-time operators should become completely familiar with the lawn tractor's operation and controls before operating the lawn tractor in higher speed positions.

WARNING

Always look down and behind before and while traveling in reverse to avoid a back-over accident.

WARNING

Before leaving the operator's position, place the PTO lever in the disengaged (PTO OFF) position, place speed control lever in NEUTRAL (N), set parking brake, stop engine and remove key to prevent unintended starting. Depress the parking brake pedal to release the parking brake and let the pedal up.

Hydrostatic

1. Move the throttle lever into the FAST (rabbit) position.
NOTE: Always operate the lawn tractor with the throttle control lever in the FAST (rabbit) position for the most efficient use of the cutting deck or other (separately available) attachments.
2. Depress the parking brake pedal to release the parking brake.
3. Slowly move the speed control lever in desired FORWARD (F) or REVERSE (R) position. The further forward or rearward that the lever is moved, the faster the lawn tractor will travel.

WARNING

Do NOT attempt to change the direction of travel when the lawn tractor is in motion. Always bring the lawn tractor to a complete stop before moving the speed control lever from forward to reverse or vice versa. Failure to do so could result in serious damage to your lawn tractor's transmission.

IMPORTANT: First-time operators should use slower speeds. Become completely familiar with the lawn tractor's operation and controls before operating the lawn tractor at higher speed.

4. **To stop**, move the speed control lever to the NEUTRAL (N) position.
IMPORTANT: In a sudden situation, fully depress the brake pedal to bring the lawn tractor to a stop and then immediately move the speed control lever to the "N" neutral position.
5. Set the parking brake by fully depressing the parking brake pedal and keeping it depressed while placing the parking brake lever in the ON position. Release the parking brake pedal to allow the parking brake to engage.

WARNING

Before leaving the operator's position for any reason, disengage the blades, place the speed control lever in neutral, engage the parking brake, shut engine OFF and remove the key.

OPERATION

CVT

1. Depress the clutch-brake pedal to release the parking brake and let the pedal up.
2. Move the throttle lever into the FAST (rabbit) position.
3. Place the shift lever in either the FORWARD (F) or REVERSE (R) position.

WARNING

Do NOT use the shift lever to change the direction of travel when the lawn tractor is in motion. Always use the clutch-brake pedal to bring the lawn tractor to a complete stop before shifting.

4. Release the parking brake by depressing the clutch-brake pedal and positioning the speed control lever in desired position.
IMPORTANT: First-time operators should use speed positions 1 or 2. Become completely familiar with the lawn tractor's operation and controls before operating the lawn tractor in higher speed positions.
5. Release clutch-brake pedal slowly to put unit into motion.
6. The lawn tractor is brought to a stop by depressing the clutch-brake pedal.
NOTE: When operating the unit initially, there will be little difference between the highest two speeds until after the belts have seated themselves into the pulleys during the break-in period.

WARNING

Before leaving the operator's position for any reason, disengage the blades, place the shift lever in neutral, engage the parking brake, shut engine OFF and remove the key.

If unit stalls with speed control in high speed, or if unit will not operate with speed control lever in a low speed position, proceed as follows:

1. Place shift lever in NEUTRAL (N).
2. Restart engine.
3. Place speed control lever in highest speed position.
4. Release clutch-brake pedal fully.
5. Depress clutch-brake pedal.
6. Place speed control lever in desired position.
7. Place shift lever in either FORWARD (F) or REVERSE (R), and follow normal operating procedures.

Foot Control CVT

1. Depress the brake pedal to release the parking brake and let the pedal up.
2. Move the throttle lever into the FAST (rabbit) position.
3. Place the shift lever in either the FORWARD (F) or REVERSE (R) position.

WARNING

Do NOT use the shift lever to change the direction of travel when the lawn tractor is in motion. Always use the clutch-brake pedal to bring the lawn tractor to a complete stop before shifting.

4. Gradually begin to apply pressure to the drive pedal. The further down the pedal is pushed, the faster the lawn tractor will travel in the desired direction based on the position of the shift lever.
5. The lawn tractor is brought to a stop by releasing the drive pedal and then depressing the brake pedal.

WARNING

Before leaving the operator's position for any reason, disengage the blades, place the shift lever in NEUTRAL (N), engage the parking brake, shut engine OFF and remove the key.

Parking the Lawn Tractor

IMPORTANT: When stopping the lawn tractor for any reason while on a grass surface:

1. Place the speed control lever/shift lever in N (neutral),
2. Engage the parking brake.
3. Shut engine OFF and remove the key. Doing so will minimize the possibility of having your lawn "browned" by hot exhaust from your lawn tractor's running engine.

Driving On Slopes

Refer to the SLOPE GAUGE on page 7 to help determine slopes where you may operate the lawn tractor safely.

WARNING

Do not mow on inclines with a slope in excess of 15 degrees (a rise of approximately 2-1/2 feet every 10 feet). The lawn tractor could overturn and cause serious injury.

- Mow up and down slopes, NEVER across.
- Exercise extreme caution when changing direction on slopes.
- Watch for holes, ruts, bumps, rocks, or other hidden objects. Uneven terrain could overturn the machine. Tall grass can hide obstacles.
- Avoid turns when driving on a slope. If a turn must be made, turn down the slope. Turning up a slope greatly increases the chance of a roll over.
- Avoid stopping when driving up a slope. If it is necessary to stop while driving up a slope, start up smoothly and carefully to reduce the possibility of flipping the lawn tractor over backward.

Engaging the Blades

Engaging the PTO (blade engage) transfers power to the cutting deck. To engage the blades, proceed as follows:

1. Move the throttle control lever to the FAST (rabbit) position.
2. Grasp the PTO lever and pivot it all the way forward into the engaged (PTO ON) position.
3. Keep the throttle lever in the FAST (rabbit) position for the most efficient use of the cutting deck or other optional attachments.

IMPORTANT: Models with REVERSE CAUTION MODE: The engine will automatically shut OFF if the PTO is engaged with the speed control lever in position for reverse travel with the key in the NORMAL DRIVING MODE position.

IMPORTANT: Models without REVERSE CAUTION MODE: The PTO lever must be in the disengaged (PTO OFF) position when starting the engine, when traveling in reverse, and if the operator leaves the seat. Refer to Safety Interlock Switches on page 17.

OPERATION

Using the Deck Lift Lever

To raise the cutting deck, move the deck lift lever to the left, then place it in the notch best suited for your application. Refer to Setting the Cutting Height on page 15.

Mowing

WARNING

To help avoid blade contact or a thrown object injury, keep bystanders, helpers, children and pets at least 75 feet from the machine while it is in operation. Stop machine if anyone enters the area.

The following information will be helpful when using the cutting deck with your lawn tractor:

WARNING

Plan your mowing pattern to avoid discharge of materials toward roads, sidewalks, bystanders and the like. Also, avoid discharging material against a wall or obstruction which may cause discharged material to ricochet back toward the operator.

- Do not mow at high ground speed, especially if a mulch kit or grass collector is installed.
- For best results it is recommended that the first two laps be cut with the discharge thrown towards the center. After the first two laps, reverse the direction to throw the discharge to the outside for the balance of cutting. This will give a better appearance to the lawn.
- Do not cut the grass too short. Short grass invites weed growth and yellows quickly in dry weather.
- Mowing should always be done with the engine at full throttle.
- Under heavier conditions it may be necessary to go back over the cut area a second time to get a clean cut.
- Do NOT attempt to mow heavy brush and weeds and extremely tall grass. Your lawn tractor is designed to mow lawns, NOT clear brush.
- Keep the blades sharp and replace the blades when worn. Refer to Cutting Blades on page 27 for proper blade sharpening instructions.

SERVICE AND MAINTENANCE

MAINTENANCE SCHEDULE

WARNING

Before performing any type of maintenance/service, disengage all controls and stop the engine. Wait until all moving parts have come to a complete stop. Disconnect spark plug wire and ground it against the engine to prevent unintended starting. Always wear safety glasses during operation or while performing any adjustments or repairs.

Follow the maintenance schedule given below. This chart describes service guidelines only. Use the Service Log column to keep track of completed maintenance tasks. **To locate the nearest Parts & Repair Service Center or to schedule service, simply contact 1-888-331-4569.**

Refer to the Engine Operator's Manual for the engine maintenance items listed in the table below.

Interval	Item	Service	Service Log
Each Use	<ol style="list-style-type: none"> Engine Intake Screens & Cooling Fans * Exhaust Manifold, Muffler Pipe & Muffler Shields * Hood/Dash Panel Louvers * Top & Underside of Deck, Under and Around Spindle Covers & Belt Area * Around Fuses, Wiring and Wiring Harnesses * Around Transmission, Axle and Fans * 	<ol style="list-style-type: none"> Check/Clean (See engine manual) Check/Clean Check/Clean Check/Clean Check/Clean Check/Clean 	
After First Five Hours	<ol style="list-style-type: none"> Engine Oil 	<ol style="list-style-type: none"> Change (See engine manual) 	
Every 10 Hours	<ol style="list-style-type: none"> Hood/Dash air vents Battery terminals Pedal pivot points 	<ol style="list-style-type: none"> Clean Clean Lubricate 	
Every 25 hours	<ol style="list-style-type: none"> Axles and Rims Engine Cooling fans Air filter's prefilter* Air filter* 	<ol style="list-style-type: none"> Lubricate Lubricate Clean (See engine manual) Clean (See engine manual) 	
Every 50 hours	<ol style="list-style-type: none"> Belts and pulleys Engine Oil Oil Filter Air Filter Fuel Filter 	<ol style="list-style-type: none"> Check for damage and wear Change (See engine manual) Replace (See engine manual) Clean or change (See engine manual) Replace (See engine manual) 	
Every 100 hours	<ol style="list-style-type: none"> Hardware Spark plug condition/gap 	<ol style="list-style-type: none"> Check Check (See engine manual) 	
Before Storage	<ol style="list-style-type: none"> Hood/Dash air vents Battery terminals Pedal pivot points Axles and rims Engine cooling fans Lubrication points Blades Tires Front wheels Deck Deck wheels Deck level/pitch Deck spindles Spark plug condition/gap Engine Oil Oil Filter 	<ol style="list-style-type: none"> Clean Clean Lubricate Lubricate Lubricate Grease Check/Sharpen/Replace as needed Check Lube Check/Clean Inspect and lube Check Lube Check (See engine manual) Change (See engine manual) Replace (See engine manual) 	

*-- Perform more often in dry conditions and/or when mulching

SERVICE AND MAINTENANCE

Maintenance

WARNING

Before performing any maintenance or repairs, disengage PTO, move shift lever into neutral position, set parking brake, stop engine and remove key to prevent unintended starting.

WARNING

If the engine has been recently run, the engine, muffler and surrounding metal surfaces will be hot and can cause burns to the skin. Exercise caution to avoid burns.

Post-Operation Rider Care

After each operation of the rider, the following procedures should be implemented to extend the life of your rider and ensure safe operating conditions.

DANGER

Failure to follow these recommendations may result in serious injury to yourself or others and may cause damage to the rider.

Cleaning the Underside of the Deck

Deck Wash System (If equipped)

Some tractors come fitted with a Deck Wash System, which is used to rinse grass clippings from the deck's underside and prevent the buildup of corrosive chemicals. Other tractors may have a deck wash plug, allowing for a Deck Wash System that can be added at a later time. If this is the case, a hex bolt and washer can be found on your tractor's deck surface and can be replaced with a water port to be used as part of an optional deck wash system.

Use the deck wash system to rinse grass clippings from the deck's underside and prevent the buildup of corrosive chemicals. Complete the following steps AFTER EACH MOWING:

1. Drive the rider to a level, clear spot on your lawn, near enough for your garden hose to reach.

WARNING

Make certain the rider's discharge chute is directed AWAY from people, your house, garage, parked cars, etc.

2. Disengage the PTO, set the parking brake and stop the engine.
3. Thread the hose coupler (packaged with your rider's Operator's Manual) onto the end of your garden hose.

4. Attach the hose coupler to the water port on your decks surface. See Figure 1.

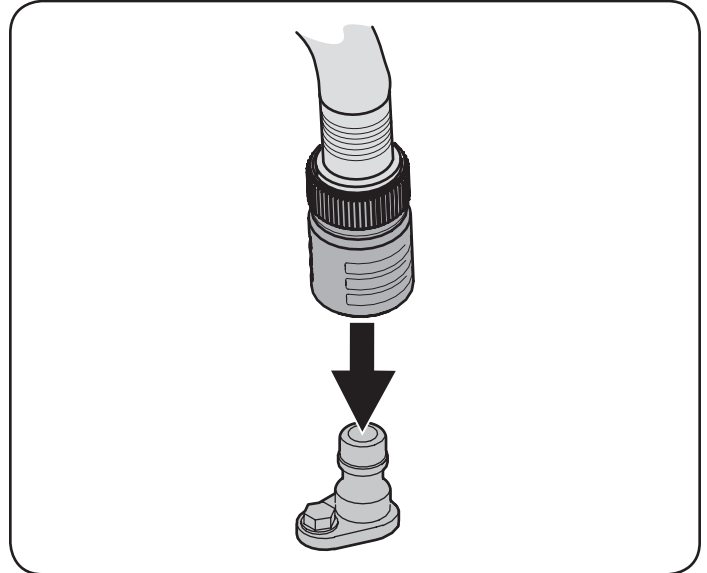




Figure 1

Note: Make sure that the hose is not routed under the deck and is clear of all moving parts.

5. Turn the water on.
6. While sitting in the operator's position on the rider, start the engine and place the throttle lever in the FAST  position.
7. Move the rider's PTO into the engaged (ON) position.
8. Remain in the operator's position with the deck engaged for a minimum of two minutes, allowing the underside of the deck to thoroughly rinse.
9. Move the rider's PTO into the disengaged (OFF) position.
10. Turn the ignition key to the STOP  position to turn the rider's engine off.
11. Turn the water off and detach the hose coupler from the water port on your deck's surface.

Note: On 50" and 54" decks there are two water ports; one on each side of the deck.

12. After cleaning your deck with the Smart Jet system, return to the operator's position and engage the PTO. Keep the deck running for a minimum of two minutes, allowing the underside of the deck to thoroughly dry.

Cleaning the Rider

WARNING

If the rider has been recently run, the engine, muffler and surrounding metal surfaces will be hot and can cause burns to the skin. Let the engine cool for at least five minutes. Exercise caution to avoid burns.

Your rider should be cleaned after each use and under certain conditions, i.e. dry conditions and/or mulching situations, additional cleaning may be necessary.

One of the best ways to keep your rider running efficiently and to reduce fire risk is to regularly remove debris buildup from the rider. Follow the recommendations below and contact your authorized dealer with any questions.

- Allow the machine to cool in an open area before cleaning.
- Do not use water on any part of the rider except the underside of the cutting deck. Doing so can cause damage to the rider's spindle bearings, electrical system and engine, leading to premature failures. The use of compressed air and/or leaf blower will help keep the rider clean.

SERVICE AND MAINTENANCE

- Clean under the hood. Exhaust manifold, around fuses, all wiring and harnesses, muffler pipe, muffler shield, engine intake screens and cooling fins, etc. See Figure 2.

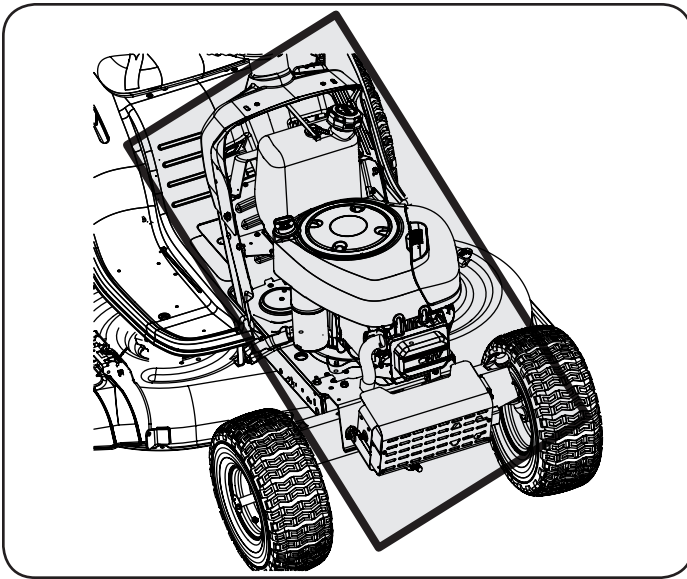


Figure 2

- Clean the top of the mower deck, under the spindle covers and belt area. See Figure 3.

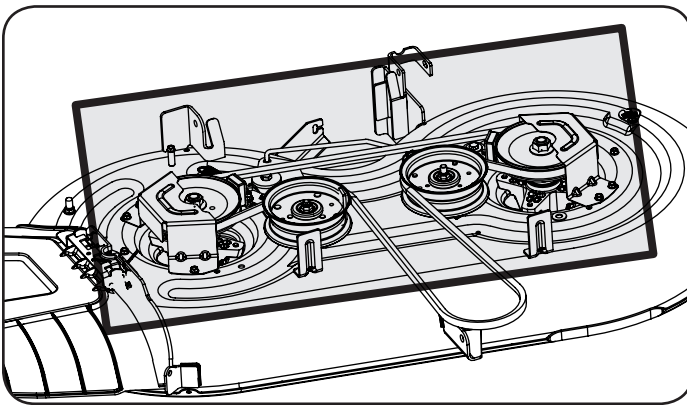


Figure 3

- Clean around and near the transmission, axle and the fan area. See Figure 4.

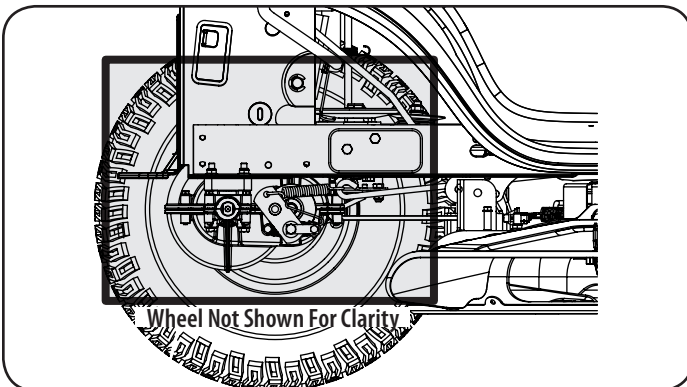


Figure 4

- Debris can accumulate anywhere on the rider, especially on horizontal surfaces. Additional cleaning may be necessary when mowing in dry conditions or when mulching.
- Fuel leaks/spills, oil leaks/spills and excess lubrication can also become collections sites for debris. Immediate repair and cleaning up oil or fuel spills can help reduce fire hazards.
- In addition to cleaning the rider before operating and storing, do not attempt to mow unusually tall grass (10" or higher), dry grass (e.g., pasture) or piles of dry leaves. Dry grass or leaves may contact the engine exhaust and/or build up on the mower deck presenting a potential fire hazard.

Engine

Refer to the Engine Operator's Manual for engine maintenance instructions.

Check engine oil level before each use as instructed in the Engine Operator's Manual. Follow the instructions carefully.

Changing Engine Oil

Oil Drain Hose Models

WARNING

If the engine has been recently run, the engine, muffler and surrounding metal surfaces will be hot and can cause burns to the skin. Exercise caution to avoid burns.

NOTE: The oil filter (if equipped) should be changed at every oil change interval.

To complete the oil change, proceed as follows:

1. Run the engine for a few minutes to allow the oil in the crankcase to warm. Warm oil will flow more freely and carry away more of the engine sediment which may have settled at the bottom of the crankcase. Use care to avoid burns from hot oil.
2. Open the tractor's hood and locate the oil drain port on the left side of the engine.
3. Open the protective cap on the end of the oil drain valve to expose the drain port. See inset of Figure 5.

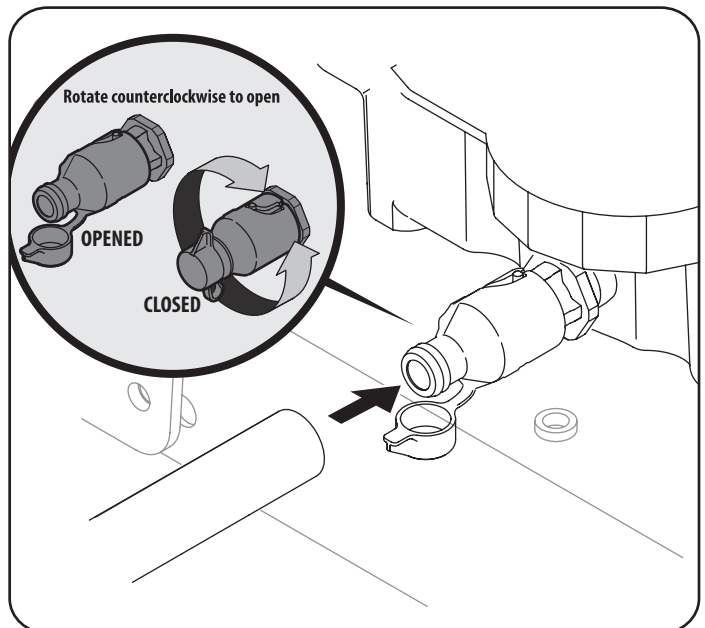


Figure 5

SERVICE AND MAINTENANCE

4. Remove the oil fill cap/dipstick from the oil fill tube.
5. Push the oil drain hose (provided) onto the oil drain port. Route the opposite end of the hose into an appropriate oil collection container with at least a 2.5 quart capacity, to collect the used oil.
6. Slightly push in on the oil drain valve and rotate counter-clockwise to open and allow the flow of oil. See Figure 5.
7. After the oil has finished draining, push the oil drain valve back in and rotate into the locked position. Re-cap the end of the oil drain valve to keep debris from entering the drain port.
8. Replace the oil filter (if equipped) as instructed in the Engine Operator's Manual.
9. Refill the engine with new oil. Refer to the Engine Operator's Manual for information regarding the proper quantity and viscosity of engine oil.

Oil Drain Sleeve Models

WARNING

If the engine has been recently run, the engine, muffler and surrounding metal surfaces will be hot and can cause burns to the skin. Exercise caution to avoid burns.

To complete the oil change, proceed as follows:

1. Run the engine for a few minutes to allow the oil in the crankcase to warm. Warm oil will flow more freely and carry away more of the engine sediment which may have settled at the bottom of the crankcase. Use care to avoid burns from hot oil.
2. Open the tractor's hood and locate the oil drain port on the left side of the engine.
3. Unscrew the oil fill cap and remove the dipstick from the oil fill tube.
4. Snap the small end of oil drain sleeve onto the oil sump. See Figure 6.

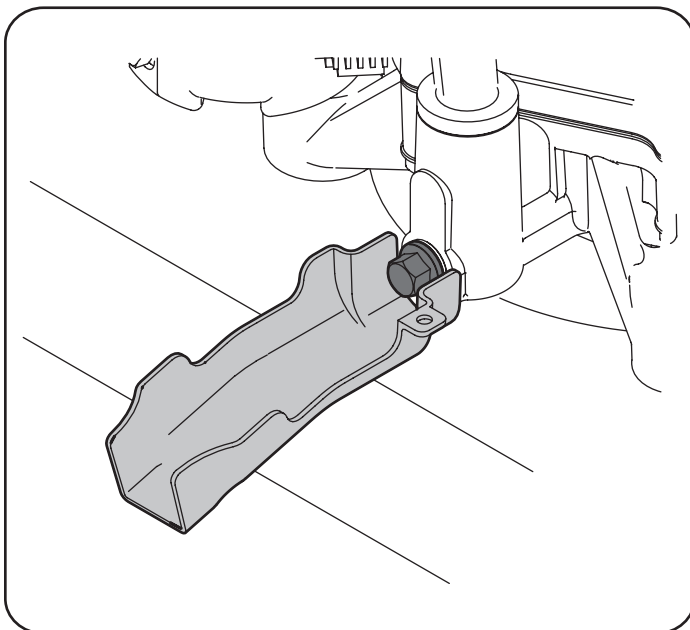


Figure 6

5. Remove drain plug and drain oil into a suitable container with a capacity of no less than 64 oz.
6. Service oil filter (if equipped) as instructed in the separate Engine Operator's Manual.
7. Perform the previous steps in the opposite order after oil has finished draining.
8. Refill the engine with new oil. Refer to the Engine Operator's Manual for information regarding the proper quantity and viscosity of engine oil.

Lubrication

WARNING

Before lubricating, repairing, or inspecting, always disengage PTO, move shift lever into neutral position, set parking brake, stop engine and remove key to prevent unintended starting.

Engine

Lubricate the engine with motor oil as instructed in the Engine Operator's Manual.

Pivot Points & Linkage

Lubricate all the pivot points on the drive system, parking brake and deck lift linkage at least once a season with light oil.

Rear Wheels

The rear wheels should be removed from the axles once a season. Lubricate the axles and the rims with an all-purpose grease before re-installing them.

Front Axles (Hydrostatic only)

Each end of the tractor's front pivot bar may be equipped with a grease fitting. Lubricate with a grease gun after every 25 hours of tractor operation.

Headlights

Replace headlight bulbs as follows:

1. Fully raise the hood of the tractor.
2. Unplug the wire harness leads from the headlight socket terminals. Note which wire connects to each terminal before disconnecting.
3. Rotate the socket assembly approximately a ¼-turn to align the socket tab with the reflector housing notch; then withdraw the bulb and socket assembly from the reflector housing. See Figure 7.

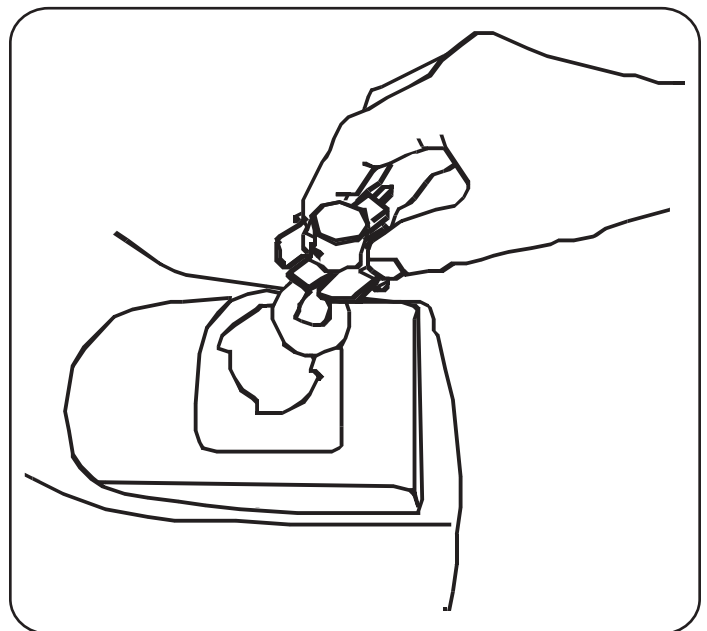


Figure 7

SERVICE AND MAINTENANCE

4. Push the bulb inward and turn counter-clockwise to remove from the socket.
5. Align a locking post of the bulb base with the notch in the socket, then push the bulb inward and turn clockwise to lock. See Figure 7.
6. Align the socket tab with the notch of the reflector housing; then push the socket inward and turn as necessary to lock the socket in the housing.
7. Connect the wire harness leads to the appropriate socket terminals.

Cleaning the Engine

Any fuel or oil spilled on the machine should be wiped off promptly. Do NOT allow debris to accumulate around the cooling fins of the engine or on any other part of the machine.

IMPORTANT: The use of a pressure washer to clean your tractor is NOT recommended. It may cause damage to electrical components, spindles, pulleys, bearings or the engine.

Battery

WARNING

CALIFORNIA PROPOSITION 65 WARNING! Battery posts, terminals, and related accessories contain lead and lead compounds, chemicals known to the State of California to cause cancer and reproductive harm. Wash hands after handling.

CAUTION

If removing the battery, disconnect the **NEGATIVE (Black) wire** from its terminal first, followed by the **POSITIVE (Red) wire**. When re-installing the battery, always connect the **POSITIVE (Red) wire** to its terminal first, followed by the **NEGATIVE (Black) wire**.

The battery is sealed and is maintenance-free. Acid levels cannot be checked.

- Always keep the battery cables and terminals clean and free of corrosive build-up.
- After cleaning the battery and terminals, apply a light coat of petroleum jelly or grease to both terminals.
- Always keep the rubber boot positioned over the positive terminal to prevent shorting.

IMPORTANT: Be certain that the wires are connected to the correct terminals; reversing them could change the polarity and result in damage to your engine's alternating system.

Cleaning Battery

Clean the battery by removing it from the tractor and washing with a baking soda and water solution. If necessary, clean the battery terminals with a wire brush to remove deposits. Coat terminals and exposed wiring with a light coat of petroleum jelly or grease to both terminals prevent corrosion.

Battery Failures

Some common causes for battery failure are:

- Incorrect initial activation
- Overcharging
- Freezing
- Undercharging
- Corroded connections

NOTE: These failures are NOT covered by your tractor's warranty.

Charging

WARNING

Batteries emit an explosive gas while charging. Charge the battery in a well ventilated area and keep away from an open flame or pilot light as on a water heater, space heater, furnace, clothes dryer or other gas appliances.

CAUTION

When charging your tractor's battery, use only a charger designed for 12V lead-acid batteries. Read your battery charger's Owner's Manual prior to charging your tractor's battery. Always follow its instructions and heed its warnings.

If your tractor has not been put into use for an extended period of time, charge the battery as follows:

Set your battery charger to deliver a max of 10A. If your battery charger is automatic, charge the battery until the charger indicates that charging is complete. If the charger is not automatic, charge for a minimum of eight hours.

Jump Starting

WARNING

Never jump start a damaged or frozen battery. Be certain the vehicles do not touch, and ignitions are OFF. Do not allow cable clamps to touch.

IMPORTANT: Never jump start your lawn tractor's battery with the battery of a running vehicle.

1. Connect positive (+) cable to positive post (+) of your lawn tractor's discharged battery.
2. Connect the other end of the cable to the (positive +) post of the jumper battery.
3. Connect the second cable (negative -) to the other post of the jumper battery.
4. Make the final connection on the engine block of the tractor, away from the battery. Attach to a unpainted part to ensure a good connection.

CAUTION

If the jumper battery is installed on a vehicle (i.e. car, truck), do NOT start the vehicle's engine when jump starting your lawn tractor.

5. Start the tractor as instructed on page 18.
6. Set the tractor's parking brake before removing the jumper cables, in reverse order of connection.

WARNING

Failure to properly jump start the battery could cause a spark, and the gas in either battery could explode.

SERVICE AND MAINTENANCE

Removing the Battery

To remove the battery, pull outward and then up on the battery hold-down bracket. See Figure 8.

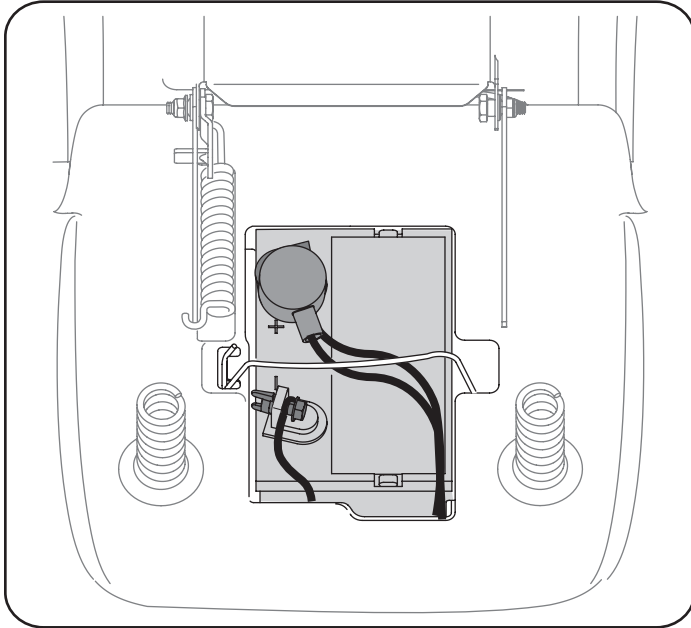


Figure 8

Fuse

One 20A fuse is installed in your tractor's wiring harness to protect the tractor's electrical system from damage caused by excessive amperage.

If the electrical system does not function, or your tractor's engine will not crank, check that the fuse has not blown. It can be found at the rear of the unit, underneath the fender located by the battery.



Always use a fuse with the same amperage capacity for replacement.

Leveling the Deck

NOTE: Check the tractor's tire pressure before performing any deck leveling adjustments. Refer to Tires on page 27 for more information regarding tire pressure.

Front-to- Rear

The front of the cutting deck is supported by a stabilizer bar that can be adjusted to level the deck from front to rear. The front of the deck should be between $\frac{1}{4}$ " and $\frac{3}{8}$ " lower than the rear of the deck. Adjust if necessary as follows:

1. With the tractor parked on a firm, level surface, place the lever for lifting the platform on the second to the top notch (second highest position) and rotate the blade as close to the discharge channel that is parallel to the tractor.
2. Measure the distance from the front of the blade tip to the ground and the rear of the blade tip to the ground. The first measurement taken should be between $\frac{1}{4}$ " and $\frac{3}{8}$ " less than the second measurement. Determine the approximate distance necessary for proper adjustment and proceed, if necessary, to the next step.

3. Locate the jam nut and lock nut on the front side of the stabilizer bracket. See Figure 9.

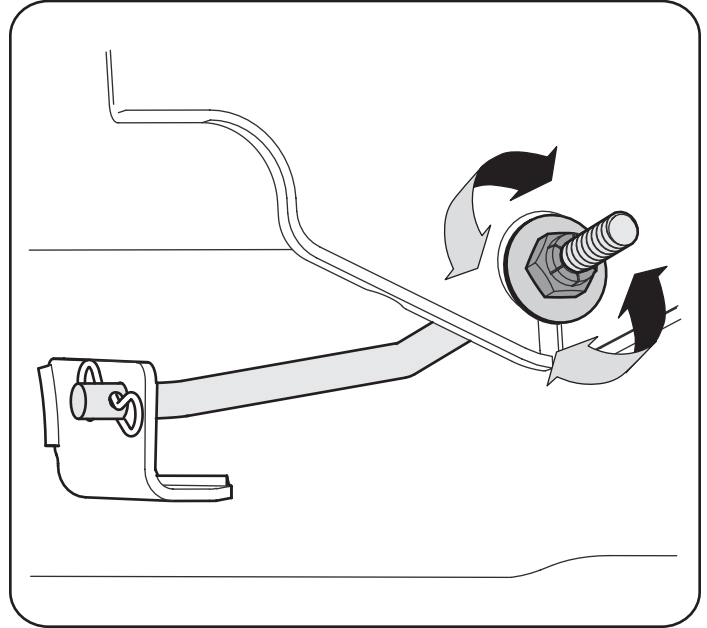


Figure 9

4. After loosening the jam nut:
5. Tighten the lock nut to raise the front of the deck;
6. Loosen the lock nut to lower the front of the deck.
7. Retighten the jam nut loosened earlier when proper adjustment is achieved.

Side-to-Side

If the cutting deck appears to be mowing unevenly, a side-to-side adjustment can be performed. Adjust if necessary as follows:

1. With the tractor parked on a firm, level surface, place the deck lift lever in the second notch from the top (second highest position) and rotate both blades so that they are perpendicular with the tractor.
2. Measure the distance from the outside of the left blade tip to the ground and the distance from the outside of the right blade tip to the ground. Both measurements taken should be equal. If they're not, proceed to the next step.

SERVICE AND MAINTENANCE

- Loosen, but do NOT remove, the hex cap screw (a) on the left deck hanger bracket. See Figure 10.

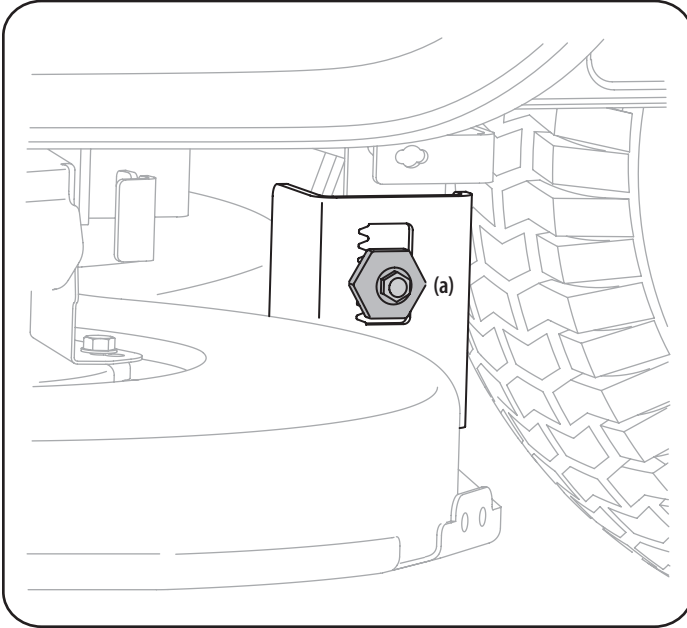


Figure 10

- Balance the deck by using a wrench to turn the adjustment gear (found immediately behind the hex cap screw just loosened) clockwise/up or counter-clockwise/down. The deck is properly balanced when both blade tip measurements taken earlier are equal.
- Retighten the hex cap screw (a) on the left deck hanger bracket when proper adjustment is achieved.

Seat Adjustment

Refer to Attaching the Seat in page 10 for seat adjustment instructions.

Parking Brake Adjustment

⚠ WARNING

Never attempt to adjust the brakes while the engine is running. Always disengage PTO, move shift lever into neutral position, stop engine and remove key to prevent unintended starting.

If the tractor does not come to a complete stop when the brake pedal is completely depressed, or if the tractor's rear wheels can roll with the parking brake applied, the brake is in need of adjustment. See an authorized service dealer to have your brakes properly adjusted.

Cutting Deck Removal

To remove the cutting deck, proceed as follows:

- Place the PTO lever in the disengaged (OFF) position and engage the parking brake.
- Lower the deck by moving the deck lift lever into the bottom notch on the right fender.

- Remove the belt-keeper rod (a), from around the tractor's engine pulley, by removing the self-tapping screw (b) that secures it. See Figure 11.

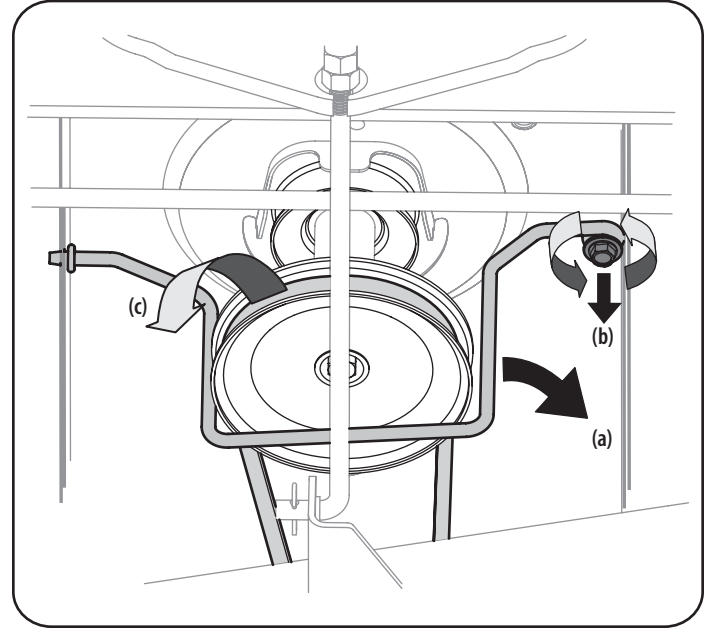


Figure 11

NOTE: Make a note what hole the other end of the belt-keeper rod is inserted in for reinstallation purposes.

- Remove the belt (c) from around the tractor's engine pulley and idler pulley(s). See Figure 11.
- Looking at the cutting deck from the left side of the tractor, locate the bow-tie pin (a) that secures the deck support rod (b) on the rear left side of the deck. See Figure 12. Remove the bow-tie pin (a) that secures the deck support rod (b), and carefully remove the deck support from the deck lift arm.

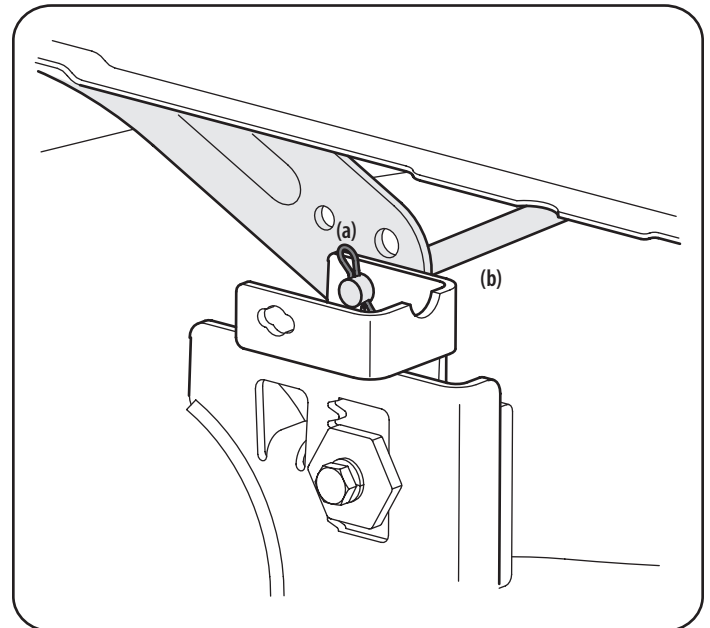


Figure 12

- Repeat step 5 on the tractor's right side.

SERVICE AND MAINTENANCE

7. Move the deck lift lever into the top notch on the right fender to raise the deck lift arms up and out of the way.
8. Remove the bow-tie pin (a) securing the deck stabilizer rod (b) to the deck. Slide the deck lift rod from the mounting weldment on the deck as seen in Figure 13.

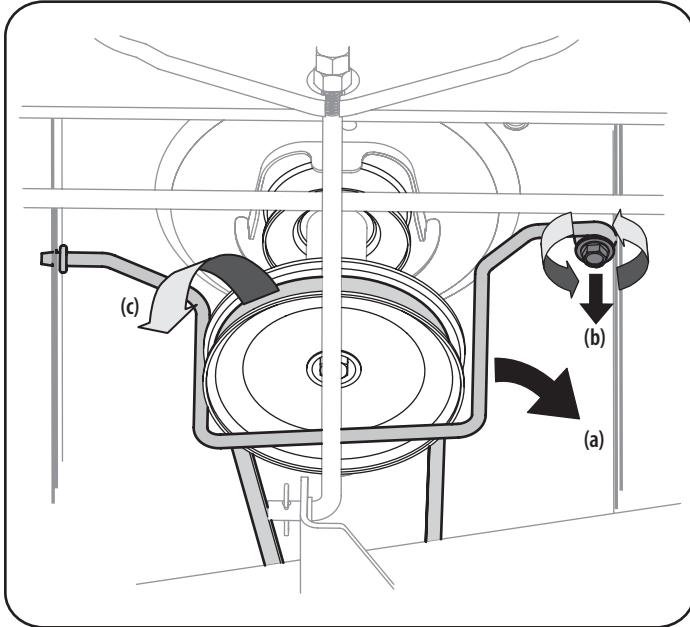


Figure 13

Carefully remove the PTO cable (a) from the rear of the cutting deck by removing the bow-tie clip (b) which secures it. Remove the spring (c) from the deck idler bracket. See Figure 14.

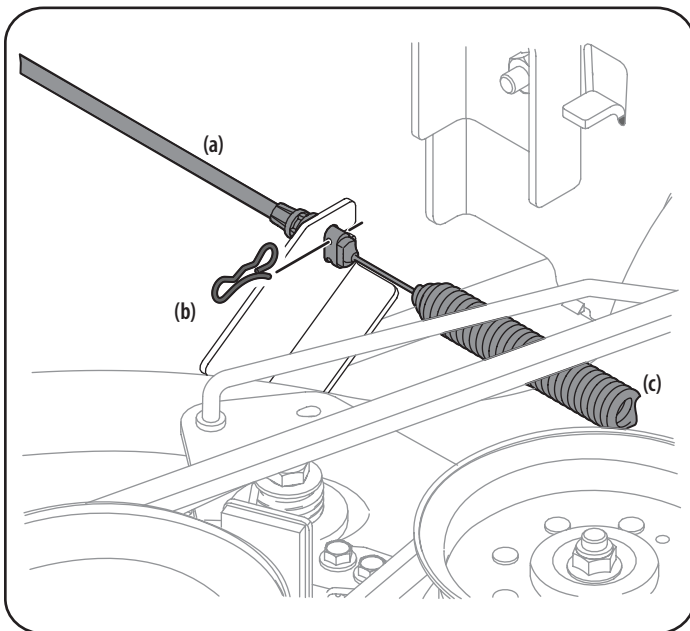


Figure 14

9. Gently slide the cutting deck (from the left side) out from underneath the tractor.

Tires

! WARNING

Never exceed the maximum inflation pressure shown on the sidewall of the tire.

The recommended operating tire pressure is:

- Approximately 10 psi for the rear tires
- Approximately 14 psi for the front tires

IMPORTANT: Refer to the tire sidewall for exact tire manufacturer's recommended or maximum psi. Do not overinflate. Uneven tire pressure could cause the cutting deck to mow unevenly.

Cutting Blades

! WARNING

Shut the engine OFF and remove the key before removing the cutting blade(s) for sharpening or replacement. Protect your hands by using heavy gloves when grasping the blade.

! WARNING

Periodically inspect the blade spindles for cracks or damage, especially if you strike a foreign object. Replace immediately if damaged.

The blades may be removed as follows:

1. Remove the deck from beneath the tractor, (refer to Cutting Deck Removal on page 22) then gently flip the deck over to expose its underside.
2. Place a block of wood between the center deck housing baffle and the cutting blade to act as a stabilizer. See Figure 15.

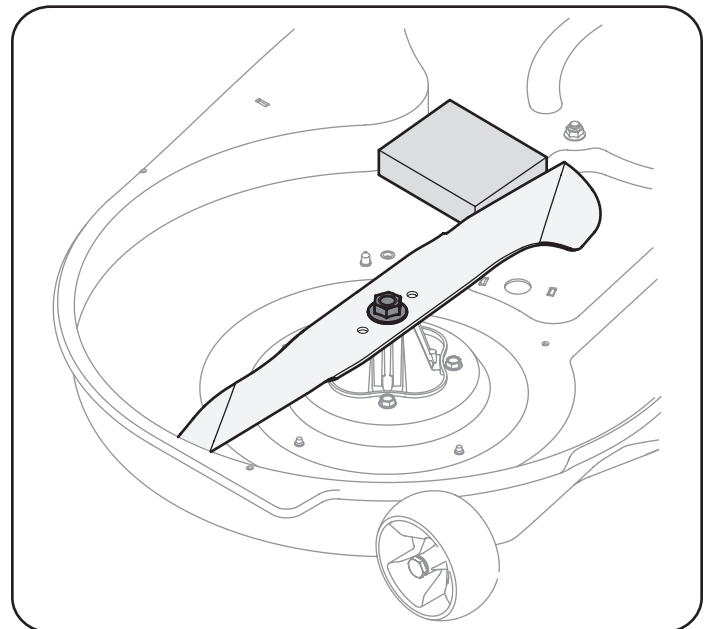


Figure 15

3. Remove the hex flange nut that secures the blade to the spindle assembly. See Figure 15.

SERVICE AND MAINTENANCE

- To properly sharpen the cutting blades, remove equal amounts of metal from both ends of the blades along the cutting edges, parallel to the trailing edge, at a 25° to 30° angle.

IMPORTANT: If the cutting edge of the blade has already been sharpened to within 1-5/8" from the edge, or if any metal separation is present, replace the blades with new ones. See Figure 16.

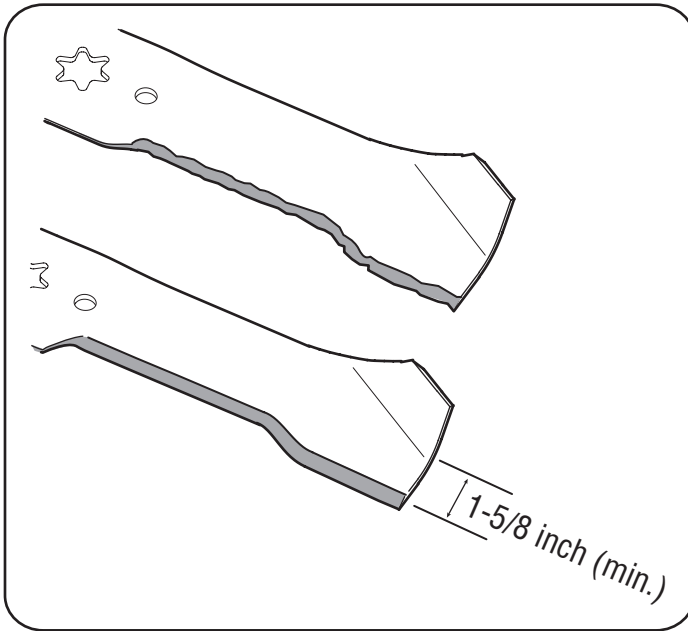


Figure 16

CAUTION

If the cutting edge of the blade has previously been sharpened, or if any metal separation is present, replace the blades with new ones.

WARNING

A poorly balanced blade will cause excessive vibration, may cause damage to the tractor and/or result in personal injury.

Test the blade's balance using a blade balancer. Grind metal from the heavy side until it balances evenly.

NOTE: When replacing the blade, be sure to install the blade with the side of the blade marked "Bottom" (or with a part number stamped in it) facing the ground when the mower is in the operating position.

CAUTION

Use a torque wrench to tighten the blade spindle hex flange nut to between 70 ft-lbs and 90 ft-lbs.

Changing the Deck Belt

WARNING

Be sure to shut the engine OFF, remove the key, disconnect the spark plug wire(s) and ground against the engine to prevent unintended starting before removing the belt.

WARNING

All belts on your lawn tractor are subject to wear and should be replaced if any signs of wear are present.

IMPORTANT: The V-belt found on your tractor are specially designed to engage and disengage safely. A substitute (non-OEM) V-belt can be dangerous by not disengaging completely. For a proper working machine, use factory approved belts.

To change or replace the deck belt on your tractor, proceed as follows:

- Remove the deck. Refer to Cutting Deck Removal on page 22.
- Remove the belt covers (a) by removing the hex washer screws (b) that fasten them to the deck. See Figure 17.

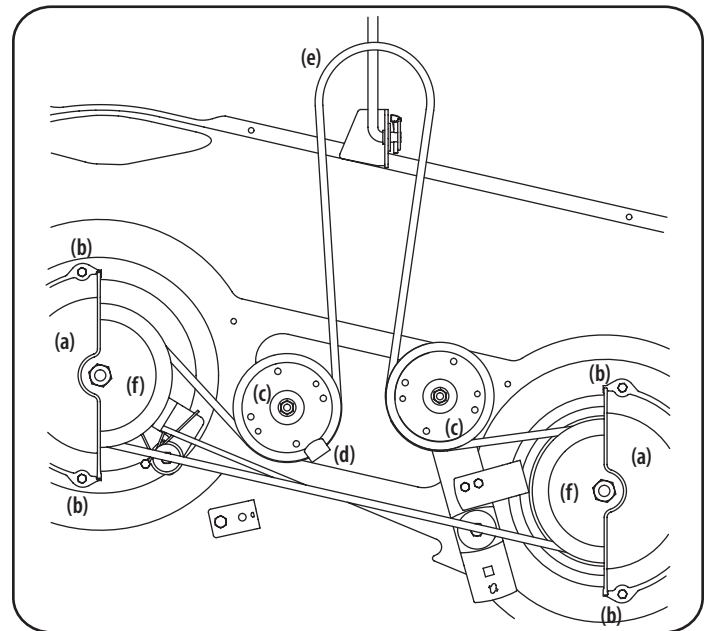


Figure 17

- It may also be necessary to loosen the hex nut on the left idler pulley (c) to get the belt off the pulley and around the belt guard (d).
- Carefully remove the deck belt (e) from around the two spindle pulleys (f) and the two deck idler pulleys (c). See Figure 17.
- To place the new belt, begin by routing the belt around the two spindle pulleys (f). Route the belt around the two deck idler pulleys (c). Retighten the left idler pulley hex nut loosened in step 3. Remount the belt covers removed (a) in Step 2. See Figure 17.
- Re-install the deck, making sure the belt remains routed around the pulleys as instructed. See Figure 17.
- Pull the right side of the belt, and place the narrow V side of the belt into the PTO pulley.
- While holding the belt and pulley together, rotate the pulley to the left. Continue holding and rotating the pulley and belt until the belt is fully rolled into the PTO pulley.

Changing the Transmission Drive Belt

NOTE: Several components must be removed and special tools (i.e. air/impact wrench) are needed in order to change the tractor's drive belt. See a Sears or other qualified service dealer to have your belt replaced.

OFF-SEASON STORAGE

WARNING

Never store lawn tractor with fuel in tank indoors or in poorly ventilated areas where fuel fumes may reach an open flame, spark, or pilot light as on a furnace, water heater, clothes dryer, or gas appliance.

Preparing The Engine

IMPORTANT: Fuel left in the fuel tank during warm weather deteriorates and will cause serious starting problems.

To prevent gum deposits from forming inside the engine's carburetor and causing possible malfunction of the engine, the fuel system must be either completely emptied, or the gasoline must be treated with a stabilizer to prevent deterioration.

1. If using a fuel stabilizer:
 - a. Read the product manufacturer's instructions and recommendations.
 - b. Add to clean, fresh gasoline the correct amount of stabilizer for the capacity of the fuel system.
 - c. Fill the fuel tank with treated fuel and run the engine for 2-3 minutes to get stabilized fuel into the carburetor.
2. If emptying the fuel system:
 - a. Do not drain fuel when the engine is hot. Allow the engine adequate time to cool. Drain fuel into an approved container outdoors, away from open flame.
 - b. Drain any large volume of fuel from the tank by disconnecting the fuel line from the in-line fuel filter near the engine. See the complete instructions for Draining The Fuel later in this section.

WARNING

Gasoline is extremely flammable and can be explosive under certain conditions. Drain gasoline before storing the equipment for extended periods. Drain fuel only into an approved container outdoors, away from an open flame. Allow engine to cool. Extinguish cigarettes, cigars, pipes, and other sources of ignition prior to draining fuel. Store gasoline in an approved container in safe location.

- c. Reconnect the fuel line and run the engine until it starts to falter, then use the choke to keep the engine running until all fuel in the carburetor has been exhausted.
 - d. Disconnect the fuel line and drain any remaining gasoline from the system.

WARNING

Gasoline is a toxic substance. Dispose of gasoline properly. Contact your local authorities for approved disposal methods.

3. Remove the spark plug and pour one (1) ounce of engine oil through the spark plug hole into the cylinder. Crank the engine several times to distribute the oil. Replace the spark plug.

Draining The Fuel

1. Locate the fuel filter, which is located on the left side of the engine, and may be attached to the engine with a tie strap.
2. Cut the tie strap, if present, then pinch the in-line clamp on the fuel filter with a pair of pliers, slide the clamp up the fuel line.
3. Pull the fuel line free from the filter and place the open end of the line into an approved container to drain the fuel.

Preparing The lawn tractor

1. Clean and lubricate tractor thoroughly as described in the lubrication instructions.
2. Do not use a pressure washer or garden hose to clean your unit.
3. Store mower in a dry, clean area. Do not store next to corrosive materials, such as fertilizer.

TROUBLESHOOTING

Problem	Cause	Remedy
Engine fails to start	<ol style="list-style-type: none"> 1. PTO/Blade Engage lever engaged. 2. Parking brake not engaged. 3. Spark plug wire(s) disconnected. 4. Throttle/Choke control lever not in correct starting position. 5. Choke not activated 6. Fuel tank empty, or stale fuel. 7. Blocked fuel line. 8. Faulty spark plug(s). 9. Engine flooded. 10. Blown Fuse(s) 	<ol style="list-style-type: none"> 1. Place lever in disengaged (OFF) position. 2. Engage parking brake. 3. Connect wire(s) to spark plug(s). 4. Place Throttle/Choke lever into the FAST position. 5. Move the Throttle/Choke lever into the Choke position. 6. Fill tank with clean, fresh (less than 30 days old) gas. 7. Replace the fuel line and replace fuel filter. 8. Clean, adjust gap or replace plug(s). 9. Crank engine with throttle in FAST position. 10. Replace Fuse(s) See "Fuse" in Service and Maintenance section.
Engine runs erratically	<ol style="list-style-type: none"> 1. Unit running with CHOKE activated. 2. Spark plug wire(s) loose. 3. Blocked fuel line or stale fuel. 4. Vent in gas cap plugged. 5. Water or dirt in fuel system. 6. Dirty air cleaner. 	<ol style="list-style-type: none"> 1. Deactivate the CHOKE. 2. Connect spark plug wire(s). 3. Replace the fuel line; fill tank with clean, fresh gasoline and replace fuel filter. 4. Clear vent or replace cap if damaged. 5. Drain fuel tank. Refill with clean, fresh gasoline. 6. Replace air cleaner paper element or clean foam pre-cleaner, if equipped.
Engine overheats	<ol style="list-style-type: none"> 1. Engine oil level low. 2. Air flow restricted. 	<ol style="list-style-type: none"> 1. Fill crankcase with proper amount and weight of oil. 2. Clean grass clippings and debris from around the engine's cooling fins and housing.
Engine hesitates at high RPM	<ol style="list-style-type: none"> 1. Spark plug gap too close. 	<ol style="list-style-type: none"> 1. Remove spark plug and reset the gap.
Engine idles rough	<ol style="list-style-type: none"> 1. Spark plug fouled, faulty or gap too wide. 2. Dirty air cleaner. 	<ol style="list-style-type: none"> 1. Replace spark plug. Set plug gap. 2. Replace air cleaner element and/or clean pre-cleaner.
Excessive vibration	<ol style="list-style-type: none"> 1. Cutting blade loose or unbalanced. 2. Damaged or bent cutting blade. 	<ol style="list-style-type: none"> 1. Tighten blade and spindle. 2. Replace blade.
Mower will not mulch grass	<ol style="list-style-type: none"> 1. Engine speed too low. 2. Wet grass. 3. Excessively high grass. 4. Dull blade. 	<ol style="list-style-type: none"> 1. Place throttle in FAST (rabbit) position. 2. Do not mulch when grass is wet. 3. Mow once at a high cutting height, then mow again at desired height or make a narrower cutting swath. 4. Sharpen or replace blade.
Uneven cut	<ol style="list-style-type: none"> 1. Deck not leveled properly. 2. Dull blade. 3. Uneven tire pressure. 	<ol style="list-style-type: none"> 1. Perform side-to-side deck adjustment. 2. Sharpen or replace blade. 3. Check tire pressure in all four tires.

Manual del Operador



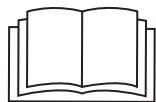
SERIE T1000, T2000, T3000 TRACTORES CORTACÉSPED

Modelo Nos. 247.27327*, 247.20372*, 247.20377*,
247.27373*, 247.27374*, 247.27372*, 247.27343*,
247.27341*, 247.25587*, 247.25382*, 247.25588*,
247.25589*, 247.25586*, 247.27330*

*-- El último dígito del número de modelo varía

Medidas de Seguridad.....	33	Almacenamiento Fuera De Temporada	59
Indicador de pendientes	38	Solución de Problemas	60
Armado e Instalación	39	Garantía/Servicio.....	Consulte el suplemento que se adjunta por separado
Controles y Funcionamiento	45		
Servicio y Mantenimiento	50		

NOTA: Este manual de operación, corresponde a numerosos modelos. Las características técnicas pueden variar según los modelos. No todas las características técnicas que se incluyen en este manual se aplican a todos los modelos y la máquina que se ilustra aquí puede diferir de la suya.



Este producto tiene un motor de baja emisión que funciona de manera diferente a los motores de modelos anteriores. Antes de poner en marcha el motor, debe leer y comprender este Manual del Operador de Craftsman y el Manual del Operador del Motor.

⚠ PRECAUCIÓN

Antes de usar este equipo, lea este manual y siga todas las reglas de seguridad e instrucciones de funcionamiento.

Para pedir repuestos o programar el servicio para este producto, llame a:

1-888-331-4569

Línea directa del cliente de Craftsman

Sears Brands Management Corporation, Hoffman Estates, IL 60179 EE.UU.

Utilizado bajo licencia

Visite nuestro sitio web: www.craftsman.com

Formulario N° 769-11207A

(19 de octubre de 2016)

INSTRUCCIONES DE SEGURIDAD

⚠ ADVERTENCIA

La presencia de este símbolo indica que se trata de instrucciones importantes de seguridad que se deben respetar para evitar poner en peligro su seguridad personal y/o material y la de otras personas. Lea y siga todas las instrucciones de este manual antes de poner en funcionamiento esta máquina. Si no respeta estas instrucciones podría provocar lesiones personales. Cuando vea este símbolo, ¡preste atención a la advertencia!

⚠ ADVERTENCIA

PROPOSICIÓN 65 DE CALIFORNIA

El escape del motor de este producto, algunos de sus componentes y algunos componentes del vehículo contienen o liberan sustancias químicas que el estado de California considera que pueden producir cáncer, defectos de nacimiento u otros problemas reproductivos. Los bornes de la batería y los accesorios afines contienen plomo y compuestos de plomo, sustancias químicas que según lo establecido por el Estado de California causan cáncer y daños en el sistema reproductivo. *Lávese las manos después de estar en contacto con estos componentes.*

⚠ PELIGRO

Esta máquina fue construida para ser operada de acuerdo con las reglas de seguridad contenidas en este manual. Al igual que con cualquier tipo de equipo motorizado, un descuido o error por parte del operador puede producir lesiones graves. Esta máquina es capaz de amputar manos y pies y de arrojar objetos con gran fuerza. De no respetar las instrucciones de seguridad siguientes se pueden producir lesiones graves o la muerte.

⚠ ADVERTENCIA

Su responsabilidad—Restrinja el uso de esta máquina motorizada a las personas que lean, comprendan y respeten las advertencias e instrucciones que aparecen en este manual y en la máquina.

¡GUARDE ESTAS INSTRUCCIONES!

FUNCIONAMIENTO GENERAL

- Lea, entienda y cumpla todas las instrucciones incluidas en la máquina y en los manuales antes de montarla y utilizarla. Guarde este manual en un lugar seguro para consultas futuras y periódicas, así como para solicitar repuestos.
- Familiarícese con todos los controles y con el uso adecuado de los mismos. Sepa cómo detener la máquina y desactivar los controles rápidamente.
- No permita nunca que los niños menores de 14 años utilicen esta máquina. Los niños de 14 años en adelante deben leer y entender las instrucciones de operación y normas de seguridad contenidas en este manual, y en la máquina y deben ser entrenados y supervisados por un adulto.
- Nunca permita que los adultos operen esta máquina sin recibir antes la instrucción apropiada.
- Para ayudar a evitar el contacto con las cuchillas o una lesión por algún objeto que sea arrojado, mantenga a los observadores, a los ayudantes, niños y mascotas alejados al menos 25 metros de la máquina mientras está en funcionamiento. Detenga la máquina si alguien entra en la zona.
- Inspeccione minuciosamente el área donde utilizará el equipo. Retire todas las piedras, palos, cables, huesos, juguetes y otros objetos extraños que podrían ser recogidos y arrojados por la acción de las cuchillas. Los objetos arrojados por la máquina pueden producir lesiones graves.
- Planifique el patrón de corte del césped que ha de seguir para evitar la descarga de material hacia los caminos, las veredas, los observadores, etc. Evite además descargar material contra las paredes y obstrucciones que podrían provocar que el material descargado rebote contra el operador.
- Para protegerse los ojos utilice siempre anteojos o antiparras de seguridad mientras opera la máquina o mientras la ajusta o repara. Los objetos arrojados que rebotan pueden producir lesiones oculares graves.
- Utilice zapatos de trabajo resistentes, de suela fuerte, así como pantalones y camisas ajustados. Las prendas sueltas o las alhajas pueden quedar atrapadas en las piezas móviles. Nunca opere la máquina descalzo o con sandalias.
- Esté atento a la cortadora y a la dirección de la descarga de los aditamentos y no apunte a nadie. Nunca opere la cortadora de césped sin que estén en su lugar apropiado la cubierta de descarga o el colector de recortes de césped.
- No ponga las manos o los pies cerca de las piezas rotatorias o debajo de la plataforma de corte. El contacto con las cuchillas puede producir la amputación de manos y pies.
- Una cubierta de descarga faltante o dañada puede provocar el contacto con la cuchilla o lesiones por objetos arrojados.
- Detenga la(s) cuchilla(s) cuando atravesase senderos, sendas o caminos de grava y cuando no esté cortando el césped.
- Vigile el tránsito vehicular cuando esté operando cerca de o en cruces de caminos. Esta máquina no debe utilizarse en la vía pública.
- No opere esta máquina bajo los efectos del alcohol o de drogas.
- Corte el césped solamente con luz de día o con una buena luz artificial.
- Nunca transporte pasajeros.
- Desenganche la(s) cuchilla(s) antes de colocar la marcha atrás. Retroceda lentamente. Siempre mire hacia abajo y hacia atrás antes y mientras retrocede, para evitar accidentes.
- Reduzca la velocidad antes de dar la vuelta. Opere la máquina suavemente. Evite la operación errática y la velocidad excesiva.
- Desenganche la(s) cuchilla(s), coloque el freno de estacionamiento, detenga el motor y espere hasta que la(s) cuchilla(s) se detenga(n) por completo antes de retirar el colector de césped, vaciar los recortes, destapar el canal, retirar restos de césped o desechos, o hacer cualquier ajuste.

INSTRUCCIONES DE SEGURIDAD

- Nunca deje la máquina en funcionamiento sin vigilancia. Apague siempre las cuchillas, coloque el freno de mano, detenga el motor y retire la llave antes de bajarse del vehículo.
- Tenga sumo cuidado al cargar o descargar la máquina en un remolque o camión. Esta unidad no debe conducirse en ascenso o descenso de rampas, porque podría ladearse y provocar lesiones personales graves. En las rampas la máquina se debe empujar manualmente para cargarla o descargarla correctamente.
- El silenciador y el motor se calientan y pueden causar quemaduras. No los toque.
- Revise el espacio libre por encima de la cabeza antes de conducir bajo las ramas bajas de árboles, cables, cerramientos de puertas, etc. en los cuales el operador podría atorarse o ser empujado fuera de la máquina, lo que podría resultar en lesiones graves.
- Desenganche todos los embragues de los accesorios y presione totalmente el pedal del freno antes de intentar arrancar el motor.
- La máquina está diseñada para cortar césped residencial normal, con una altura no mayor a 10". No intente cortar césped demasiado crecido, seco (por ej., pastura) ni pilas de hojas secas. El césped y las hojas secas pueden entrar en contacto con el escape del motor y/o acumularse en la plataforma de la cortadora de césped, convirtiéndose en un peligro de incendio.
- Utilice solamente accesorios y aditamentos aprobados para esta máquina por el fabricante de la misma. Lea, comprenda y siga todas las instrucciones proporcionadas con los accesorios o aditamentos aprobados. Para obtener una lista de los accesorios aprobados y los archivos adjuntos, llame 1-888-331-4569.
- Los datos estadísticos muestran que los operadores de 60 años y mayores se ven involucrados en un alto porcentaje de lesiones relacionadas con tractores corta césped. Estos operadores deben evaluar su capacidad para operar el tractor corta césped en forma suficientemente segura para protegerse a ellos mismos y a los demás contra lesiones graves.
- Si se presentan situaciones que no están previstas en este manual sea cuidadoso y use el sentido común.

FUNCIONAMIENTO EN PENDIENTES

Las pendientes son un factor importante relacionado con accidentes por derrape y vuelcos que pueden producir lesiones graves e incluso la muerte. La operación en pendientes requiere mayor precaución. Si no puede retroceder en la pendiente o si no se siente seguro, no realice ninguna operación de corte.

Para su seguridad, use el indicador de pendientes que se incluye como parte de este manual para medir la pendiente antes de operar la máquina en una zona inclinada. Si la pendiente es mayor de 15 grados según el medidor, no opere esta máquina en ese sector, pues podría causar lesiones graves.

Haga lo siguiente:

- Pude hacia arriba y abajo de las pendientes, no de forma transversal. Tenga cuidado cuando cambie de dirección al operar en pendiente.
- Esté atento a los hoyos, surcos, baches, rocas, u otros objetos ocultos. El terreno desnivelado puede voltear la máquina. El césped alto puede ocultar obstáculos.
- Vaya a baja velocidad. Elija una velocidad lo suficientemente baja, de modo que no tenga que detenerse o hacer cambios mientras está sobre la pendiente. Los neumáticos podrían perder tracción sobre las pendientes aún cuando los frenos funcionaran apropiadamente. Siempre mantenga la máquina en cambio mientras desciende las pendientes, para poder frenar con el motor.
- Siga las recomendaciones del fabricante para los pesos o contrapesos de las ruedas, para mejorar la estabilidad de la máquina.
- Tenga especial cuidado con los colectores de césped u otros aditamentos. Los mismos pueden modificar la estabilidad de la máquina.
- Haga que todos los movimientos en las pendientes sean lentos y graduales. No cambie repentinamente la velocidad ni la dirección. Un frenado o cambio de velocidad repentinos pueden causar que el frente de la máquina se levante y dé una voltereta hacia atrás, lo que podría producir lesiones graves.
- Evite arrancar o detenerse en una pendiente. Si los neumáticos pierden la tracción, desenganche las cuchillas y descienda lentamente la pendiente.

No haga lo siguiente:

- No gire sobre las pendientes a menos que sea necesario. Si es posible, gire lentamente y gradualmente durante el descenso.
- No corte el césped cerca de pozos, hundimientos o terraplenes. La cortadora de césped puede volcarse repentinamente si una de las ruedas está sobre el borde de un acantilado, zanja o si un borde se desmorona.
- No intente estabilizar la máquina poniendo el pie en el suelo.
- No utilice un colector de césped en pendientes empinadas.
- No pade el césped húmedo. Una menor tracción podría causar derrapes.
- No para descender. El exceso de velocidad puede hacer que el operador pierda el control de la máquina, ocasionando lesiones graves e incluso la muerte.
- No remolque cargas pesadas detrás de los aditamentos (carrito de basura cargado, podadora de rodillos, etc) en pendientes mayores de 5 grados. Cuando se desplaza pendiente abajo, el peso adicional tiende a empujar el tractor y puede hacer que se pierda el control del mismo (por ejemplo, el tractor se puede acelerar, se reduce la capacidad para frenar y maniobrar, los accesorios pueden plegarse como un cortaplumas y hacer que el tractor vuelque).

NIÑOS

Pueden ocurrir accidentes trágicos si el operador no está atento a la presencia de niños. Por lo general, los niños se sienten atraídos por este tipo de máquinas y su funcionamiento. No entienden los riesgos ni los peligros. Nunca asuma que los niños permanecerán en el mismo lugar donde los vio por última vez.

- Mantenga a los niños fuera del área de trabajo y bajo estricta vigilancia de un adulto responsable además del propio operador.
- Esté alerta y apague la máquina si un niño ingresa al área.
- Antes y mientras está retrocediendo, mire hacia atrás y cuide que no haya niños.
- Nunca transporte niños, aún con la cuchilla apagada. Podrían caerse y resultar severamente heridos o interferir con la operación segura de la máquina.
- Tenga extrema precaución cuando se aproxime a esquinas ciegas, portales, arbustos, árboles u otros objetos que puedan impedirle ver a un niño que se cruce en el recorrido de la máquina.
- Para evitar accidentes al operar en marcha atrás, siempre desenganche las cuchillas antes de colocar marcha atrás. Si está instalado, el "Modo Precaución Marcha Atrás" (hojas de operar la máquina, mientras que los paseos a la inversa) no debe utilizarse cuando hay niños u otras personas presentes.
- Mantenga a los niños alejados de los motores en marcha o calientes. Pueden sufrir quemaduras con un silenciador caliente.
- Retire la llave cuando deje la máquina sin vigilancia, evite que una persona sin autorización la maneje.

INSTRUCCIONES DE SEGURIDAD

No permita nunca que los niños menores de 14 años utilicen esta máquina. Los niños de 14 años en adelante deben leer y entender las instrucciones de operación y normas de seguridad contenidas en este manual, y en la máquina y deben ser entrenados y supervisados por un adulto.

REMOLQUE

- Remolque únicamente con una máquina que cuente con un enganche diseñado para remolcar. No acople equipo remolcado excepto en el punto de enganche.
- Siga las recomendaciones del fabricante en lo que respecta a los límites de peso de los equipos a remolcar y al remolque en pendientes.
- Nunca permita la presencia de niños u otras personas dentro o sobre los equipos remolcados.
- En las pendientes, el peso del equipo remolcado puede causar pérdida de tracción y pérdida de control de la máquina.
- Siempre use extra la precaución remolcando con una máquina capaz de hacer vueltas apretadas (p.ej paseo "de vuelta cero" - en el cortacésped). Haga amplias vueltas para evitar al gato-knifing.
- Desplácese lentamente y deje distancia adicional para frenado.
- No para descender.

SERVICIO

Manejo seguro de la gasolina

Para evitar lesiones personales o daños materiales sea sumamente cuidadoso al manipular la gasolina. La gasolina es sumamente inflamable y sus vapores pueden causar explosiones. Se puede lesionar gravemente si derrama gasolina sobre usted o sobre la ropa, ya que ésta se puede incendiar. Lávese la piel y cámbiese de ropa de inmediato.

- Utilice sólo los recipientes para gasolina autorizados.
- Nunca llene los recipientes en el interior de un vehículo o camión o caja de remolque con recubrimiento plástico. Coloque siempre los recipientes en el piso y lejos del vehículo antes de realizar la carga.
- Cuando sea factible, retire el equipo a gasolina del camión o remolque y llénelo en el suelo. Si esto no es posible, llene el equipo en un remolque con un contenedor portátil, en vez de hacerlo con una boquilla dispensadora de gasolina.
- Mantenga la boquilla de llenado en contacto con el borde del depósito de combustible o con la abertura del recipiente en todo momento, hasta terminar la carga. No utilice un dispositivo de boquilla de apertura/cierre.
- Apague todos los cigarrillos, cigarros, pipas y otras fuentes de combustión.
- Nunca cargue combustible en la máquina en un espacio cerrado.
- Nunca saque la tapa del combustible ni agregue combustible mientras el motor está caliente o en marcha. Deje que el motor se enfríe por lo menos dos minutos antes de volver a cargar combustible.
- Nunca llene en exceso el depósito de combustible. Llene el tanque no más de ½ pulgada por debajo de la base del cuello del tapón de carga, para dejar espacio para la expansión del combustible.
- Vuelva a colocar la tapa de la gasolina y ajústela bien.

- Limpie el combustible que se haya derramado sobre el motor y el equipo. Traslade la máquina a otra zona. Espere 5 minutos antes de encender el motor.
- Para reducir el riesgo de incendio, mantenga la máquina limpia de pasto, hojas y de acumulación de otros residuos. Limpie los derrames de aceite o combustible y saque todos los residuos embebidos de combustible.
- Nunca guarde la máquina o el recipiente de combustible en un espacio cerrado donde haya fuego, chispas o luz piloto, como por ejemplo de calentadores de agua, calefactores de ambientes, hornos, secadores de ropa u otros aparatos a gas.
- Deje que la máquina se enfríe cinco minutos por lo menos antes de guardarla.

Servicio general

- Nunca encienda el motor en espacios cerrados o en una zona con poca ventilación. El escape del motor contiene monóxido de carbono, un gas inodoro y letal.
- Antes de limpiar, reparar o inspeccionar la máquina, compruebe que la(s) cuchilla(s) y todas las partes en movimiento se hayan detenido. Desconecte el cable de la bujía y póngalo haciendo masa contra el motor para evitar que se encienda accidentalmente.
- Revise periódicamente para asegurarse que las cuchillas se detengan por completo en aproximadamente cinco (5) segundos después de accionar el control de desenganche de la(s) cuchilla(s). Si las cuchillas no se detienen dentro de este lapso de tiempo, su unidad deberá ser reparada por su distribuidor de servicio autorizado MTD.
- Revise con frecuencia el funcionamiento del sistema de frenos ya que está sujeto a desgaste por la operación normal. Ajuste y efectúe mantenimiento según se requiera.
- Revise los pernos de montaje de la(s) cuchilla(s) y del motor a intervalos frecuentes para verificar que estén bien apretados. Además, inspeccione visualmente la(s) cuchilla(s) en busca de daños (por ejemplo, desgaste excesivo, abolladuras, rajaduras, etc.). Reemplace la(s) cuchilla(s) únicamente con las cuchillas de fabricantes de equipos originales (O.E.M.) listadas en este manual. El uso de piezas que no cumplen con las especificaciones del equipo original podría tener como resultado un rendimiento incorrecto y además poner en riesgo la seguridad.
- Las cuchillas de las podadoras son muy afiladas. Envuelva la cuchilla o utilice guantes y extreme las precauciones cuando efectúe mantenimiento.
- Mantenga todos los pernos, tuercas y tornillos bien ajustados para asegurarse de que la máquina se encuentra en condiciones seguras de operación.
- Nunca altere el sistema de enclavamiento de seguridad ni otros mecanismos de seguridad. Controle periódicamente que funcionen correctamente.
- Después de golpear con algún objeto extraño, detenga el motor, desconecte el cable de la bujía y conecte el motor a masa. Inspeccione minuciosamente la máquina para ver si está dañada.

INSTRUCCIONES DE SEGURIDAD

Repáre el daño antes de arrancar y utilizar la máquina.

- Nunca trate de hacer ajustes o reparaciones a la máquina mientras el motor está en marcha.
- Los componentes del colector de césped y la cubierta de descarga, están sujetos a desgaste y daños que podrían dejar expuestas partes en movimiento o permitir que se arrojen objetos. Para proteger su seguridad, verifique frecuentemente todos los componentes y reemplácelos inmediatamente sólo con piezas de los fabricantes del equipo original, listados en este manual. El uso de piezas que no cumplen con las especificaciones del equipo original podría tener como resultado un rendimiento incorrecto y además poner en riesgo la seguridad.
- No cambie la configuración del regulador del motor ni lo opere a sobrevelocidad. El regulador del motor controla la velocidad máxima segura de funcionamiento del motor.
- Mantenga o reemplace las etiquetas de seguridad e instrucciones según sea necesario.
- Respete las normas referentes a la disposición correcta y las reglamentaciones sobre gasolina, aceite, etc. para proteger el medio ambiente.
- Según la Comisión de Seguridad de Productos para el Consumidor de los Estados Unidos (CPSC) y la Agencia de Protección Ambiental de los Estados Unidos (EPA), este producto tiene una vida útil media de siete (7) años, ó 270 horas de funcionamiento. Al finalizar la vida útil media, adquiera una máquina nueva o haga inspeccionar anualmente ésta Sears por uno u otro distribuidor de servicios para cerciorarse de que todos los sistemas mecánicos y de seguridad funcionan correctamente y no tienen excesivo desgaste. Si no lo hace, pueden producirse accidentes, lesiones o muerte.

NO MODIFIQUE EL MOTOR

Para evitar lesiones graves o la muerte, no modifique el motor bajo ninguna circunstancia. Si cambia la configuración del regulador del motor el motor puede descontrolarse y operar a velocidades inseguras. Nunca cambie la configuración de fábrica del regulador del motor.

AVISO REFERIDO A EMISIONES

Los motores que están certificados y cumplen con las regulaciones de emisiones federales EPA y de California para SORE (Equipos pequeños todo terreno) están certificados para operar con gasolina común sin plomo y pueden incluir los siguientes sistemas de control de emisiones: Modificación de motor (EM) y catalizador de tres vías (TWC) si están equipados de esa manera.

GUARDACHISPAS

⚠ ADVERTENCIA

Esta máquina está equipada con un motor de combustión interna y no debe ser utilizada en o cerca de un terreno agreste cubierto por bosque, malezas o hierba excepto si el sistema de escape del motor está equipado con un amortiguador de chispas que cumpla con las leyes locales o estatales correspondientes, en caso de haberlas.

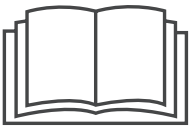


Si se utiliza un amortiguador de chispas el operador lo debe mantener en condiciones de uso adecuadas. En el Estado de California las medidas anteriormente mencionadas son exigidas por ley (Artículo 4442 del Código de Recursos Públicos de California). Es posible que existan leyes similares en otros estados. Las leyes federales se aplican en territorios federales.

Puede conseguir el amortiguador de chispas para el silenciador a través de su distribuidor autorizado de motores o poniéndose en contacto con el centro de servicio Sears.












Para información de ubicación y compra, llame al 1-888-331-4569.

SÍMBOLOS DE SEGURIDAD

Esta página representa y describe la seguridad los símbolos que pueden parecer en este producto. Lea, comprenda, y siga todas instrucciones en la máquina antes procurar para reunir y operar.

Symbol	Description
	LEA EL MANUAL(S) DEL OPERADOR leído, entienda, y siga todas las instrucciones en el manual(s) antes de procurar montar y funcionar
	PELIGRO— DÉ EL CORTE DE PIE Nunca transporte pasajeros. Nunca transporte niños, aún con la cuchilla apagada.
	PELIGRO— DÉ EL CORTE DE PIE Retroceda lentamente. Siempre mire hacia abajo y hacia atrás antes y mientras retrocede, para evitar accidentes.

INSTRUCCIONES DE SEGURIDAD

Symbol	Description
	PELIGRO— DÉ EL CORTE DE PIE Guarde manos y pies lejos de hacer girar partes.
	PELIGRO— DÉ EL CORTE DE PIE Mire siempre hacia abajo y hacia atrás antes y mientras retrocede, para evitar accidentes en off..
	PELIGRO— ESCOMBROS LANZADOS Quite objetos que pueden ser lanzados por la lámina en cualquier dirección. Lleve gafas de seguridad.
	DISPOSITIVOS DE SEGURIDAD - PELIGRO Mantenga los dispositivos de seguridad (guardas, escudos, interruptores, etc.) en su lugar y funcionando.
	PERSONAS PRESENTES Guarde a las personas presentes, a los ayudantes y a niños por lo menos 75 pies lejos.
	PELIGRO— CUESTAS No opere esta máquina en una pendiente mayor de 15 grados. No corte el césped en pendientes. Cortar hacia arriba y abajo de las pendientes no mayores de 15 grados. Evite giros repentinos. Utilice baja velocidad. Si la máquina deja de ir cuesta arriba, deje de cuchillas y retroceder lentamente.
	ADVERTENCIA — SUPERFICIE CALIENTE Las partes del motor, especialmente el silenciador, llega a ser muy caliente durante la operación. Permita motor y silenciador para ponerse frío antes de tocar.
	PELIGRO— GIRANDO HOJAS Para reducir el riesgo de herida, guarde manos y pies lejos. No funcione a menos que la tapa de descarga o el receptor de hierba estén en su lugar apropiado. De ser dañado, sustituya inmediatamente.
	WARNING — FIRE HAZARD Allow machine to cool before fueling or storing.
	WARNING — FIRE HAZARD Do not drive through piles of dry leaves or tall grass. Keep machine free of debris.
	WARNING — FIRE HAZARD Operation of this equipment may create sparks that can start fires around dry vegetation. A spark arrestor may be required. The operator should contact local fire agencies for laws or regulations relating to fire prevention requirements. Do not allow debris to accumulate. The build up of debris can lead to a fire.

PENDIENTE DE CALIBRE

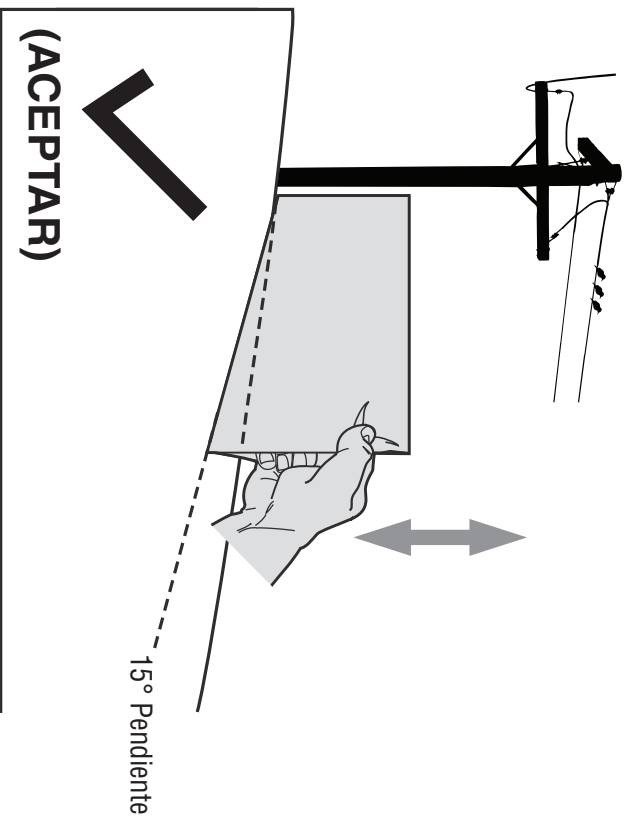


Figura 1

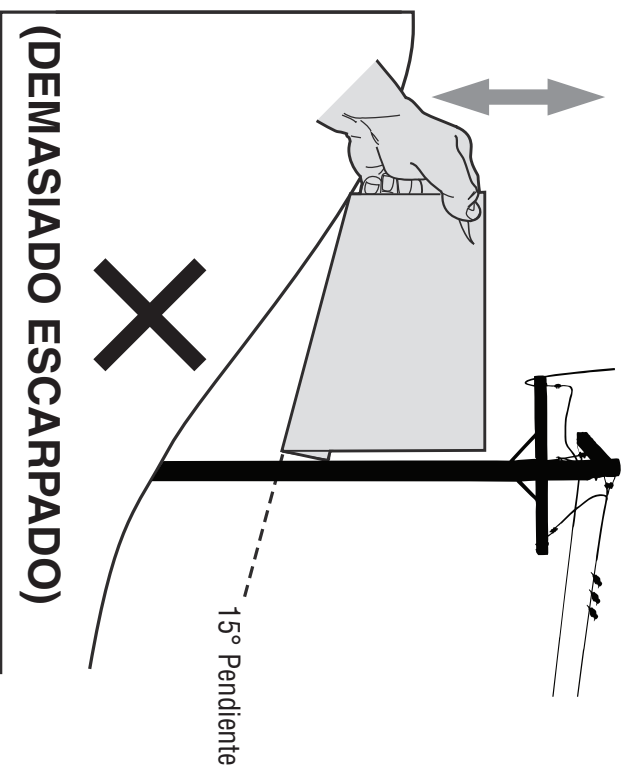


Figura 2

USO DE ESTE PENDIENTE DE CALIBRE PARA DETERMINAR

SI UNA PENDIENTE ES DEMASIADO ESCARPADO PARA UNA OPERACIÓN SEGURA!

Para comprobar la pendiente, haga lo siguiente:

1. Borrar esta página y doble a lo largo de la línea discontinua.
2. Localizar un objeto vertical sobre o detrás de la pendiente (un poste, un edificio, una valla, un árbol, etc.)
3. Alinee cada lado de pendiente de calibre con el objeto vertical (consultar Figura 1 and Figura 2).
4. Ajuste el pendiente de calibre arriba o hacia abajo hasta los toques esquina izquierda el pendiente (consultar Figura 1 and Figura 2).
5. Si hay un espacio por debajo de la pendiente de calibre, el pendiente es demasiado escarpado por operación segura (consultar Figura 2 above).

15° línea discontinua

⚠ ADVERTENCIA

Las pendientes son un factor importante relacionado con un vuelco y renovación de los accidentes que pueden provocar lesiones graves o la muerte. No utilice la máquina en pendientes de más de 15 grados. Todos pendientes requiere mayor precaución. Si no puede retroceder en la pendiente o si se siente inseguro en ella, no la recorte. Siempre corte el césped arriba y abajo las pendientes, nunca en toda la superficie de la cuesta.

MONTAJE Y CONFIGURACIÓN

Contenido de la caja

- Tractor cortacésped (1)
- Llave de contacto (2)
- Manga plástica para drenar aceite (1) †
- Manguera para drenar aceite (1) †
- Toma de aire del capó (1) †
- Volante (1) -- Arandela cóncava (1) y Perno hexagonal (1)
- Asiento (1)
- Cubierta de instrumentos (1) †
- Pico de lavado de la plataforma (1) †
- Acoplador de manguera (1) †
- Manual del Operador (1)
- Manual del Operador del Motor (1)
- Guía de inicio rápido (1)†
- Documento de Garantía/Piezas (1)
- Tarjeta para registrar el producto (1) †

† — Si está equipado

NOTA: Este manual del operador, corresponde a numerosos modelos. Las características técnicas pueden variar según los modelos. No todas las características técnicas que se incluyen en este manual se aplican a todos los modelos y la máquina que se ilustra aquí puede diferir de la suya. Consulte la Figura 2-1 para que coincida con su estilo de transmisión; Pedal de CVT (transmisión variable continua), CVT (transmisión variable continua) o hidrostática.

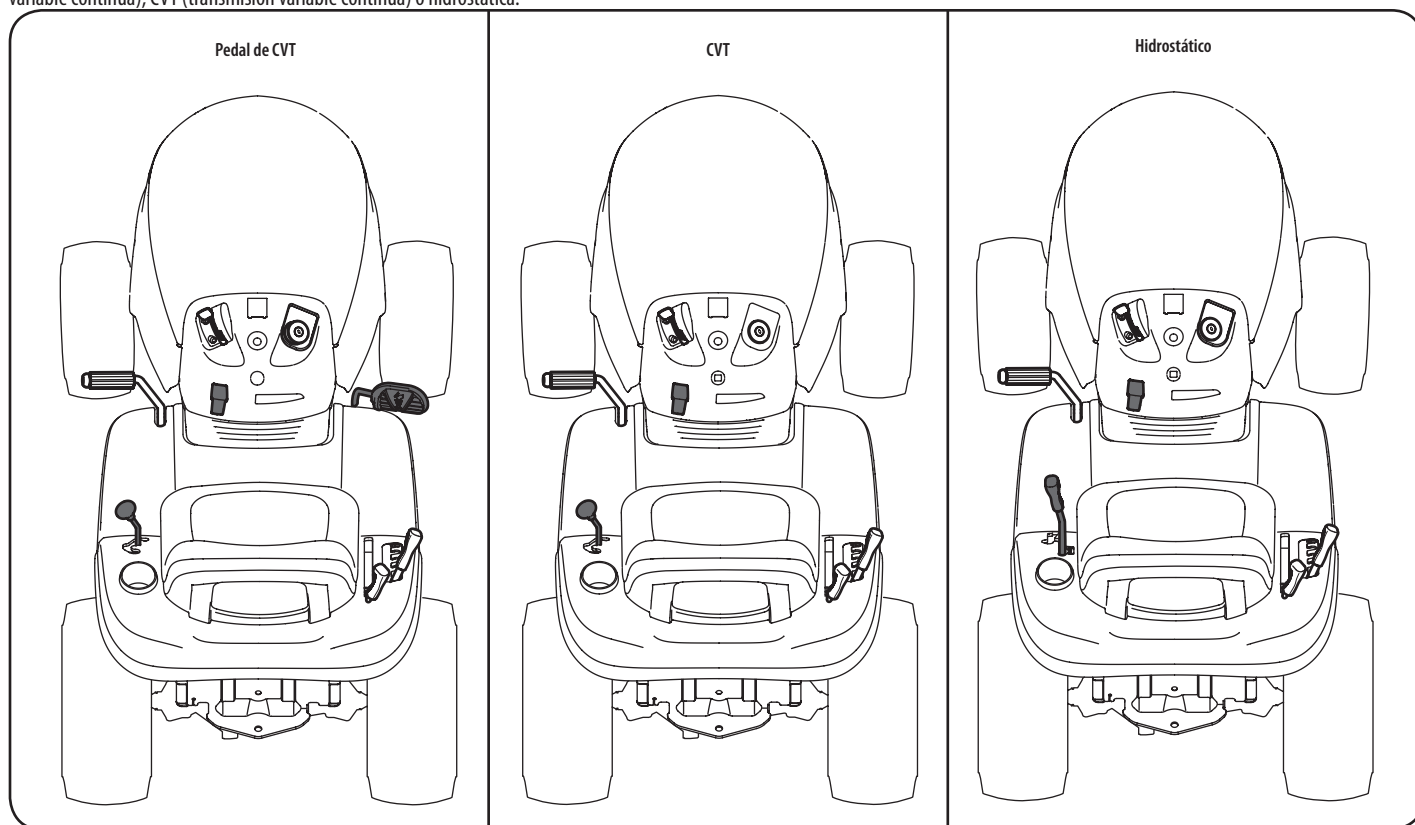


Figura 1

NOTA: Este manual del operador, corresponde a numerosos modelos. Las características técnicas pueden variar según los modelos. No todas las características técnicas que se incluyen en este manual se aplican a todos los modelos y la máquina que se ilustra aquí puede diferir de la suya. Consulte la Figura 1 para que coincida con su estilo de transmisión; Pedal de CVT (transmisión variable continua), CVT (transmisión variable continua) o hidrostática.

Herramientas necesarias

- Llave ajustable o juego de llaves de vaso

Conexión de los cables de la batería

⚠ ADVERTENCIA

PROPOSICIÓN 65 DE CALIFORNIA Los bornes y contactos de la batería y los accesorios afines contienen plomo y compuestos de plomo, sustancias químicas que el Estado de California considera que pueden producir cáncer y daños en el sistema reproductivo. Lávese las manos después de estar en contacto con estos componentes.

⚠ PRECAUCIÓN

Cuando coloque los cables de la batería, conecte siempre primero el cable POSITIVO (rojo) a su borne, y a continuación el cable NEGATIVO (negro).

Por razones relacionadas con el envío, los dos cables de la batería de su equipo se pueden haber dejado desconectados de los terminales en fábrica. Para conectar los cables de la batería, proceda de la siguiente manera:

MONTAJE Y CONFIGURACIÓN

NOTA: El borne positivo de la batería está marcado como Pos (+). El borne negativo de la batería está marcado como Neg (-).

1. Retire la cubierta plástica, si está presente, del borne positivo de la batería y una el cable rojo al borne positivo de la batería (+) utilizando el perno (a) y la tuerca hexagonal (b). Consulte la Figura 2.

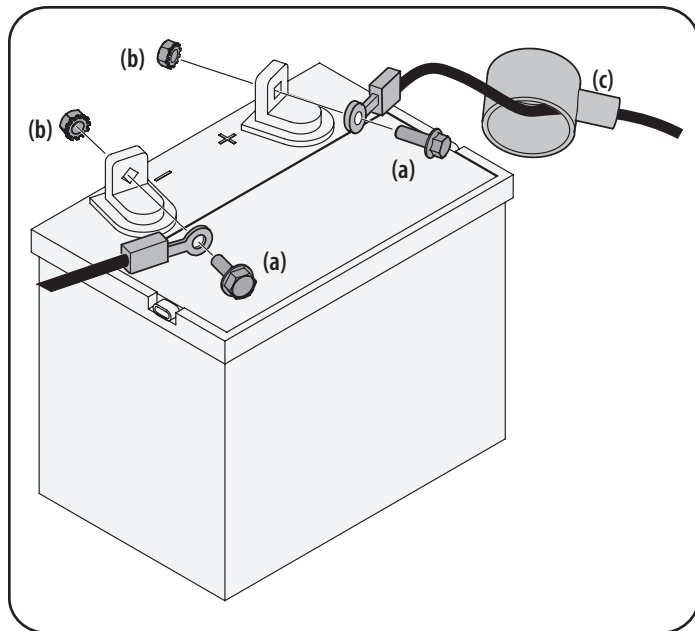


Figura 2

2. Retire la cubierta plástica, si está presente, del borne negativo de la batería y una el cable negro al borne negativo de la batería (-) utilizando el perno (a) y la tuerca hexagonal (b). Consulte la Figura 2.
3. Coloque el capuchón de goma rojo (c) sobre el borne positivo de la batería para protegerlo contra la corrosión.

NOTA: Si la batería se pone en servicio después de la fecha indicada arriba/al costado de la batería, cárguela siguiendo las instrucciones de la sección Servicio en la página 24 de su Manual del Operador antes de hacer funcionar el tractor.

Extracción de la traba de seguridad

⚠ ADVERTENCIA

Compruebe que el motor del tractor cortacésped está APAGADO, retire la llave de encendido y ponga el freno de mano antes de sacar la traba de seguridad. Consulte la sección Controles y Funcionamiento en la página 16 para obtener instrucciones sobre cómo poner el freno de mano.

Inspeccione la plataforma de corte para ver si hay una traba de seguridad (a) que puede estar sujetando el deflector del canal (b) hacia arriba para el envío. Si hay una traba de seguridad (a), se la debe extraer antes de hacer funcionar el tractor. Sosteniendo el canal deflector (b) totalmente hacia arriba, extraiga la traba de seguridad (a). Baje el canal deflector (b) y descarte la traba de seguridad (a). Vea la Figura 2-3.

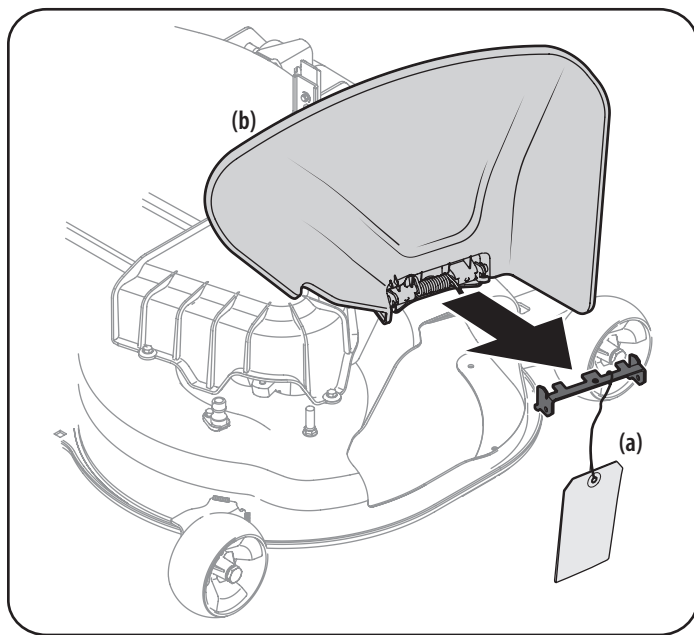


Figura 3

⚠ ADVERTENCIA

La traba de seguridad, (a) se usa sólo para el embalaje; se la debe retirar y descartar antes de hacer funcionar su tractor cortacésped.

⚠ ADVERTENCIA

La plataforma de corte puede arrojar objetos. En caso de hacer funcionar el tractor sin colocar el canal deflector en la posición adecuada para el funcionamiento, podrían producirse graves lesiones personales y/o daños materiales.

MONTAJE Y CONFIGURACIÓN

Fijación del volante

1. Si su tractor no traía el volante (a) instalado, los herrajes para instalarlo se han embalado dentro del volante (a), debajo de la tapa del volante (b). Con cuidado y usando una palanca, extraiga la tapa del volante (b) y retire la arandela cóncava (c) y el perno hexagonal (d). Consulte la Figura 4.

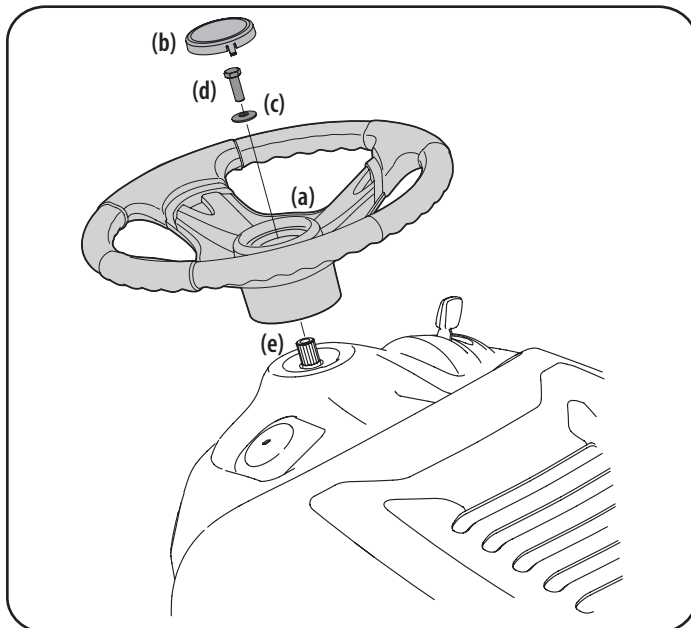


Figura 4

2. Con las ruedas del tractor mirando hacia adelante, coloque el volante (a) sobre el eje de dirección (e). Consulte la Figura 4.
3. Coloque la arandela cóncava (c) – con el lado cóncavo hacia abajo – sobre el volante (a) y ajústela con el perno hexagonal (d). Consulte la Figura 4.
4. Coloque la tapa del volante (b) sobre el centro del volante (a) y empuje hacia abajo hasta que calce en su lugar. Consulte la Figura 4.

Instalación del asiento

Si su tractor no traía el asiento instalado de fábrica, consulte los pasos siguientes:

NOTA: Por razones relacionadas con el envío, los asientos se fijan al soporte de pivote del asiento del tractor con un precinto o se instalan hacia atrás respecto del soporte de pivote. En cualquier caso, retire el asiento de su posición de envío.

1. Retire la perilla de ajuste del asiento (a) de la parte inferior del asiento (b). Consulte la Figura 5.

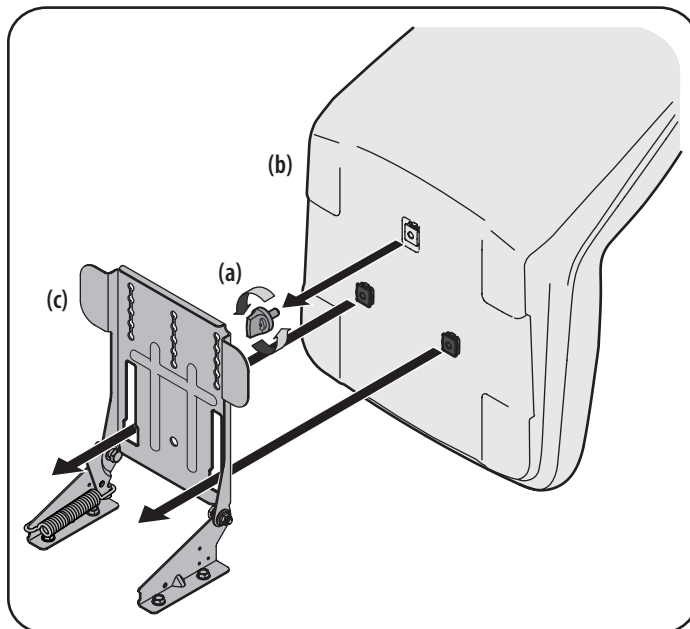


Figura 5

2. Alinee el asiento (b) sobre el soporte de pivote del asiento (c) como se muestra en la Figura 5 y monte el asiento (b) en el soporte de pivote del asiento (c) insertando las dos lengüetas de la parte inferior del asiento (b) en las ranuras del soporte de pivote del asiento (c).
3. Deslice el asiento (b) hacia atrás en el soporte de pivote del asiento (c), alineando la ranura trasera central del soporte de pivote del asiento (c) con el orificio restante de la base del asiento (b). Consulte la Figura 6.

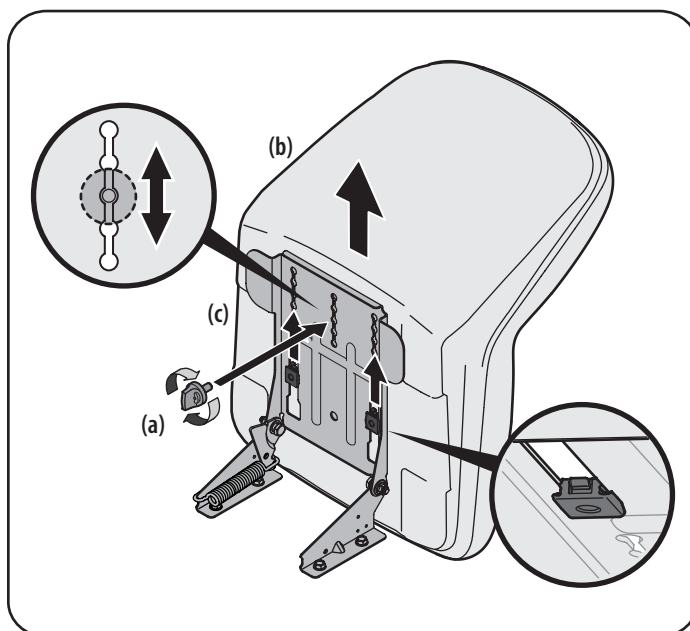


Figura 6

MONTAJE Y CONFIGURACIÓN

NOTA: Asegúrese que las dos lengüetas del asiento se enganchan en el soporte de pivote del asiento, como se muestra en el recuadro inferior derecho de la Figura 6.

4. Seleccione la posición deseada del asiento (b) y fíjelo con la perilla de ajuste (a) que retiró en el Paso 1. Consulte la Figura 6.
5. Para ajustar la posición del asiento, retire la perilla de ajuste (a) que está en la parte inferior del asiento (b). Deslice el asiento (b) hacia adelante o hacia atrás, según lo desee. Vuelva a colocar la perilla de ajuste (a). Consulte la Figura 6.

Cubierta de instrumentos (si está equipado)

1. Si la cubierta de instrumentos (a) fue despachada suelta, los herrajes para fijar la cubierta de instrumentos (a) se despacha instalada en la cubierta de instrumentos (a). Extraiga los dos pernos (b) que sujetan la cubierta de instrumentos (a). Consulte la Figura 7.

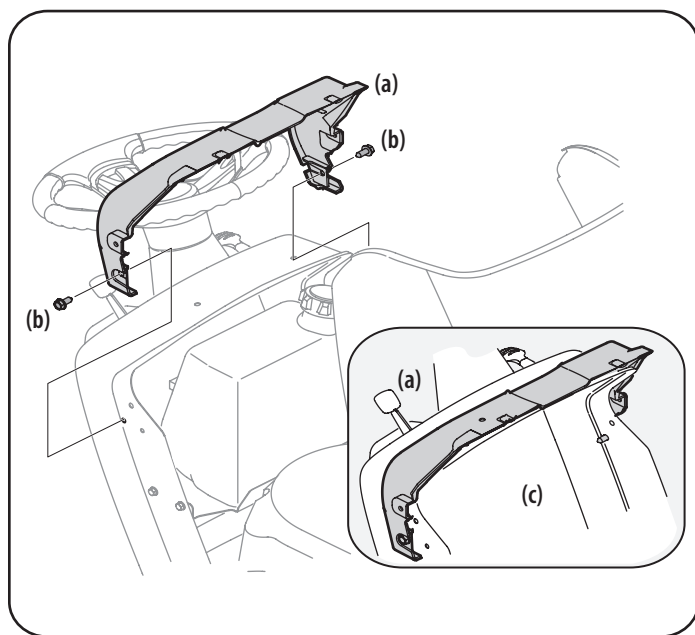


Figura 7

2. Monte la cubierta de instrumentos (a) y alinee los orificios de montaje. Consulte la Figura 7.
3. Fije la cubierta de instrumentos (a) al panel (c) con los pernos (b) que retiró en el Paso 1. Consulte la Figura 7.

Presión de los neumáticos

⚠ ADVERTENCIA

Se debe mantener una presión uniforme para todos los neumáticos en todo momento. Nunca exceda la presión máxima de inflado que se indica en los laterales de los neumáticos.

La presión operativa recomendada para los neumáticos es:

- Aproximadamente 10 psi para los neumáticos traseros
- Aproximadamente 14 psi para los neumáticos delanteros

IMPORTANTE: Consulte los laterales de las ruedas para conocer con exactitud la presión máxima en psi recomendada por el fabricante. No los infle en exceso. Una presión de neumáticos desapareja podría hacer que la plataforma no corte el césped parejo.

Llenado de gasolina y aceite

Aceite

IMPORTANTE: Su tractor se entrega con aceite para motor en el motor. Sin embargo, usted DEBE controlar el nivel de aceite antes de hacerlo funcionar. Tenga cuidado de no llenar en exceso.

Mantenga y controle el aceite como se indica en el Manual del operador del motor. Lea las instrucciones con atención.

Gasolina

El depósito de gasolina está ubicado debajo del capó. No lo llene en exceso.

⚠ ADVERTENCIA

Tenga mucho cuidado al trabajar con gasolina. La gasolina es sumamente inflamable y sus vapores son explosivos. Nunca cargue combustible en la máquina en un espacio cerrado o cuando el motor está caliente o en marcha. Apague cigarrillos, cigarros, pipas y otras fuentes de combustión.

NOTA: Compre gasolina en pequeñas cantidades. No use gasolina que haya quedado de la temporada anterior, para minimizar la formación de depósitos de caucho en el sistema de combustible.

- Este motor está habilitado para funcionar con gasolina sin plomo. Para obtener el mejor resultado, llene el depósito de combustible únicamente con gasolina sin plomo limpia y fresca, en un surtidor que indique un octanaje igual a 87 o más.
- El gasohol (hasta 10% de alcohol etílico, 90% de gasolina sin plomo por volumen) es un combustible aprobado. No se aprueba el uso de otras mezclas de gasolina/alcohol, como la E85.
- El éter metílico terciario-butílico (MTBE) y las mezclas de gasolina sin plomo (hasta un máximo de 15% de MTBE por volumen) son combustibles aprobados. No se aprueba el uso de otras mezclas de gasolina/éter.
- Llene el depósito de combustible al aire libre o en un área bien ventilada.
- Nunca saque la tapa del combustible ni agregue combustible mientras el motor está caliente o en marcha. Deje que el motor se enfríe por lo menos dos minutos antes de volver a cargar combustible.
- Limpie el combustible que se haya derramado sobre el motor y el equipo. Traslade la máquina a otra zona. Espere cinco minutos antes de encender el motor.

Procedimiento para agregar gasolina

Consulte la Figura 1 y vaya al modelo correspondiente a su depósito de gasolina.

Modelos hidrostáticos

1. Apague el motor y déjelo enfriar al menos dos minutos antes de quitar el tapón del combustible. El depósito de gasolina está ubicado debajo del capó. Extraiga la tapa de combustible girándola hacia la izquierda.

MONTAJE Y CONFIGURACIÓN

2. Cargue el depósito de combustible con gasolina. Sólo se debe utilizar gasolina limpia, nueva (con menos de 30 días de antigüedad) y sin plomo. Llene el depósito hasta la base del cuello de llenado dejando espacio para la dilatación del combustible. **NO LLENE EL DEPÓSITO DE COMBUSTIBLE AL MÁXIMO.** Consulte la Figura 8.

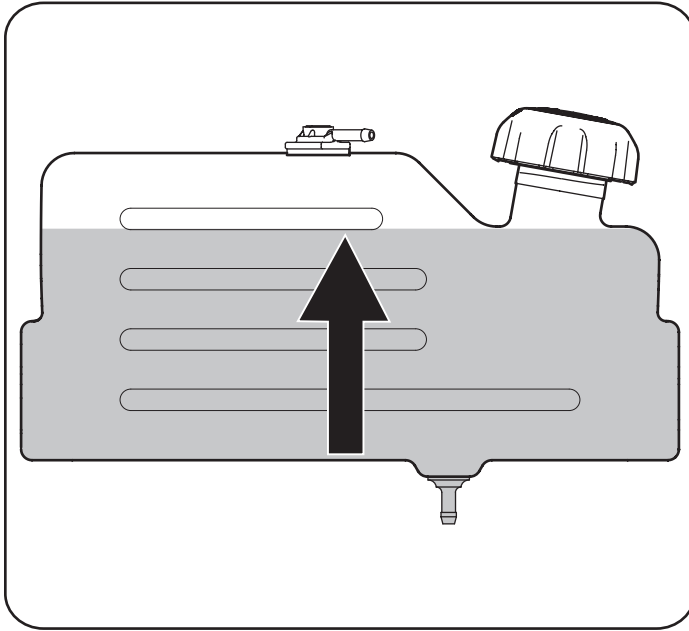


Figura 8

3. Vuelva a colocar la tapa del combustible.



¡PARE! Continúe a Ajuste de las ruedas de calibración de la plataforma (si está equipado) en la página 12.

Modelos con pedal de CVT y Modelos con CVT

1. Apague el motor y déjelo enfriar al menos dos minutos antes de quitar el tapón del combustible. El depósito de gasolina está ubicado debajo del capó. Extraiga la tapa de combustible girándola hacia la izquierda.

2. Cargue el depósito de combustible con gasolina. Sólo se debe utilizar gasolina limpia, nueva (con menos de 30 días de antigüedad) y sin plomo. Llene el tanque no más de ½ pulgada por debajo de la base del cuello del tapón de carga, para dejar espacio para la expansión del combustible. Consulte la Figura 9.

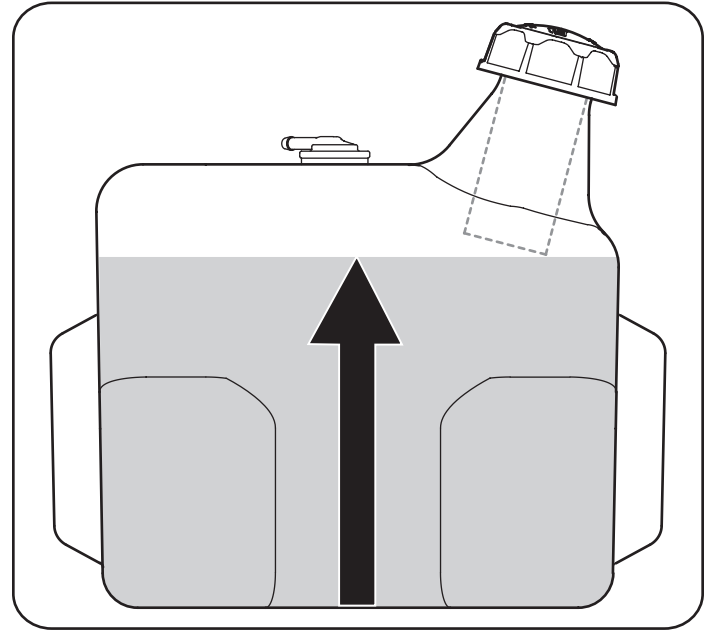


Figura 9

3. Vuelva a colocar la tapa del combustible.

¡IMPORTANTE! No llene en exceso el depósito de combustible. Llene el tanque no más de ½ pulgada por debajo de la base del cuello del tapón de carga, para dejar espacio para la expansión del combustible. Consulte la Figura 9.



¡PARE! Continúe a Ajuste de las ruedas de calibración de la plataforma (si está equipado) en la página 12.

Ajuste de las ruedas de calibración de la plataforma (si está equipado)

Mueva el tractor a una superficie firme y nivelada, preferentemente sobre el pavimento, y realice lo siguiente:

1. Seleccione la posición de altura de la plataforma de corte colocando la palanca de elevación de la plataforma en el ajuste de altura de corte deseado en situación normal (hay seis muescas de altura de corte diferentes sobre el guardabarros derecho).
2. Controle si las ruedas de calibración de la plataforma están en contacto con la superficie de abajo o si hay excesiva separación. Las ruedas de calibración de la plataforma deben tener entre ¼ y ½ pulgada de separación respecto del suelo.
3. Si las ruedas de calibración tienen excesiva separación respecto del suelo o están en contacto con el mismo, ajuste del siguiente modo:
 - a. Levante el tirador de elevación de la plataforma hasta el punto más alto.

MONTAJE Y CONFIGURACIÓN

- b. Retire las ruedas de calibración delanteras y traseras (a) retirando las tuercas de sujeción (b) y los tornillos con reborde (c) que las sujetan a la plataforma. Consulte la Figura 10.

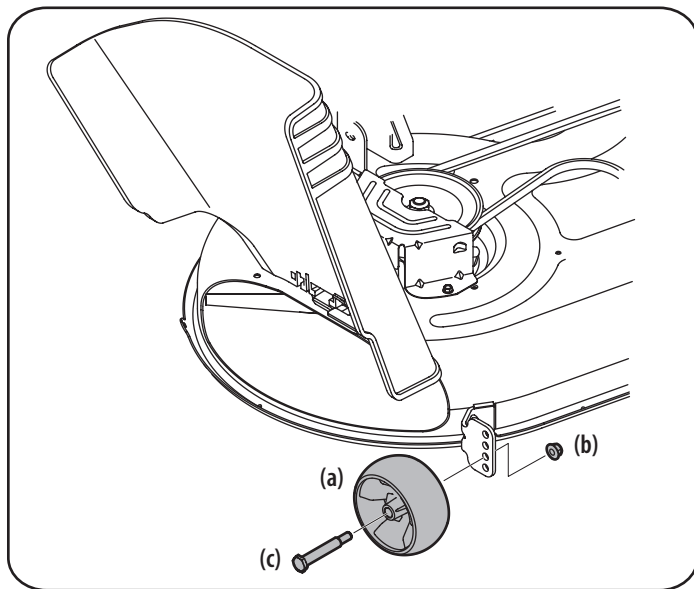


Figura 10

- c. Coloque la palanca de elevación de la plataforma en el ajuste de altura de corte deseado.
 - d. Vuelva a insertar los tornillos con reborde (c) dentro del orificio de posicionamiento que deja aproximadamente $\frac{1}{2}$ " entre la parte inferior de la rueda de calibración de la plataforma (a) y el pavimento. Ajuste en su lugar con las tuercas de seguridad (b).
4. Consulte Nivelación de la Plataforma en la página de la sección Servicio de este manual para obtener instrucciones detalladas sobre diferentes ajustes de la plataforma.

Instalación de la toma de aire del capó (si necesario /si está equipado)

1. Algunos tractores vienen con una toma de aire en el capó. Si la toma de aire no fue instalada en la fábrica sobre el capó de su tractor, siga los siguientes pasos para instalar la toma de aire del capó:
2. Corte los precintos que sujetan la toma de aire del capó al tractor.
3. Retire los cuatro tornillos previamente instalados en la toma de aire y guárdelos para el Paso 4.
4. Calce la toma de aire en su lugar usando el capó como guía. Consulte la Figura 11.

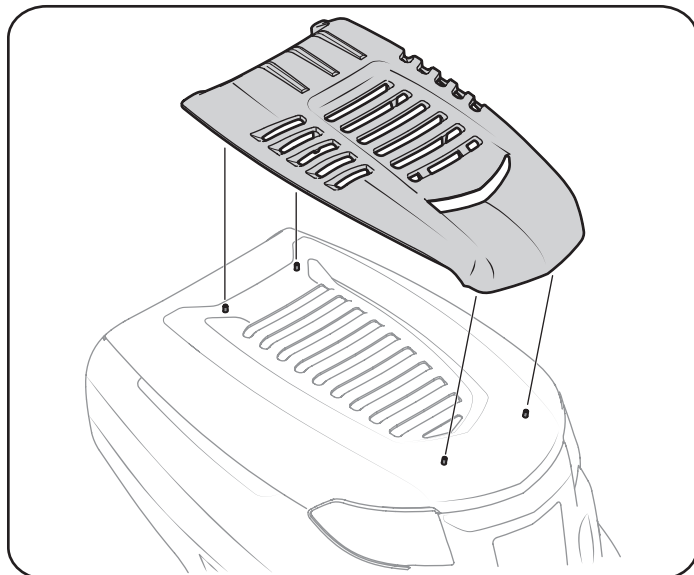


Figura 11

5. Instale la toma de aire sobre el capó del tractor y fije desde abajo con los cuatro tornillos que retiró en el Paso 2.

Movimiento manual del tractor

Los modelos con CVT se pueden poner en la posición NEUTRAL (N) cuando es necesario mover el tractor manualmente. Para mover el tractor manualmente, mueva la palanca de cambios a la posición neutral.



¡PARE! Continúe a la sección Controles y Funcionamiento en la página 15.

FUNCIONAMIENTO

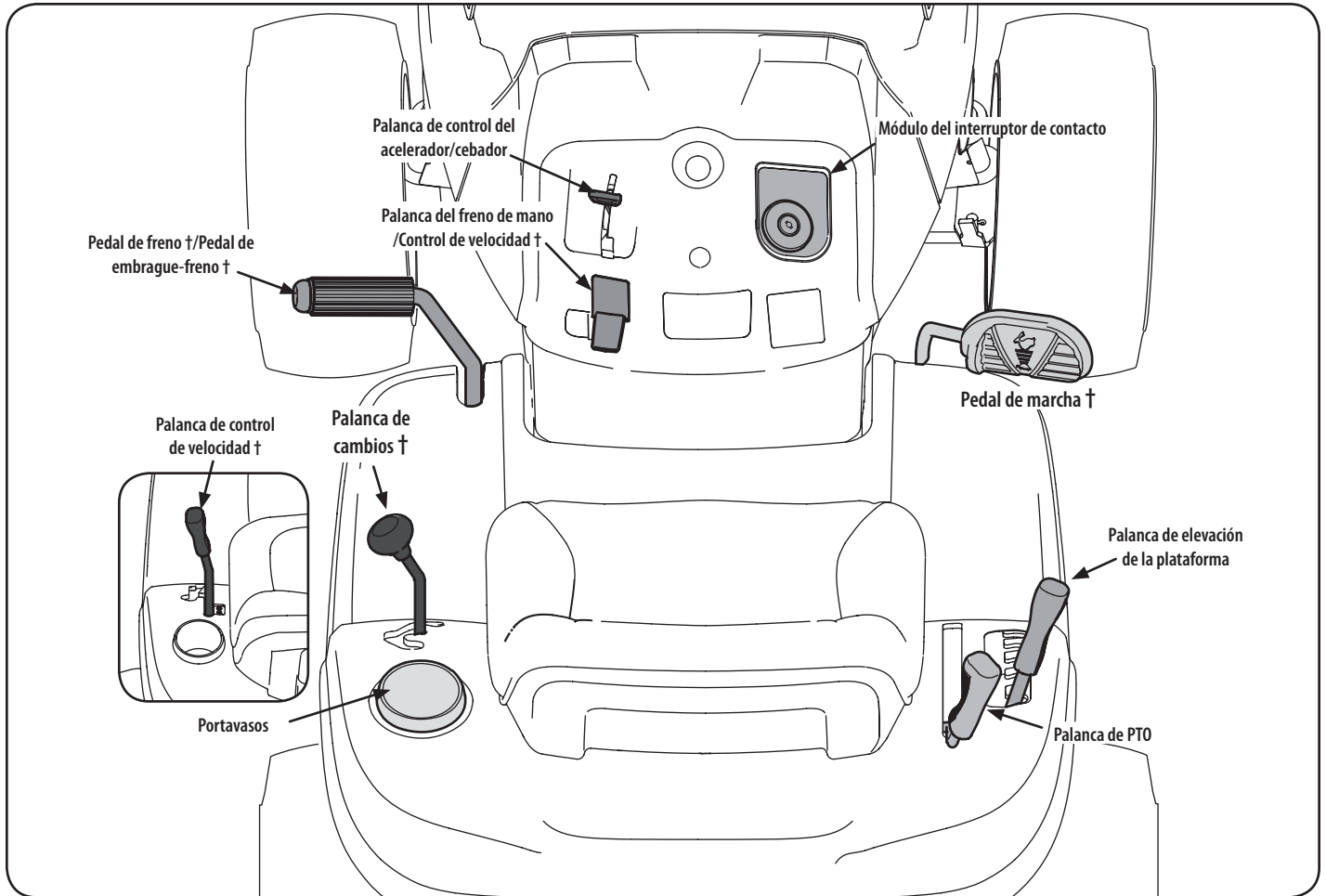


Figura 13

Ahora que ya ha ajustado su tractor cortacésped para el funcionamiento, es importante familiarizarse con sus controles y características. Consulte la Figura 13.

NOTA: Las referencias a IZQUIERDA, DERECHA, ADELANTE Y ATRÁS indican esa posición desde el asiento del operador en el tractor, mirando hacia adelante.

Palanca de control del acelerador/cebador

La palanca de control del acelerador/cebador está ubicada del lado izquierdo del tablero de instrumentos del tractor cortacésped. Esta palanca controla la velocidad del motor, además del cebador cuando se la empuja totalmente hacia adelante. Cuando se lo coloca en una posición determinada, el acelerador mantiene una velocidad de motor uniforme.

IMPORTANTE: Cuando haga funcionar el tractor con la plataforma de corte colocada, asegúrese de que la palanca de control del acelerador/cebador esté siempre en la posición RÁPIDO (liebre).

Si se mueve la palanca de control del acelerador/cebador totalmente hacia adelante, se activa el control del cebador del motor. Al activar el control del cebador se cierra la placa del cebador del carburador y esto ayuda a poner en marcha el motor.

Consulte la sección Arranque del motor en la página 48 de este manual para obtener instrucciones de arranque detalladas.



Palanca de control de velocidad

Hidrostático

La palanca de control de velocidad, ubicada sobre el guardabarros trasero izquierdo, controla la velocidad de piso del tractor cortacésped así como la dirección de desplazamiento.

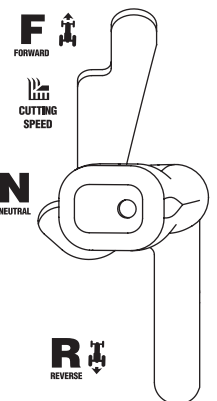
Para conducir hacia adelante o hacia atrás, lentamente mueva la palanca de control de velocidad a la velocidad deseada "F" avance o "R" marcha atrás.

Para parar, mueva la palanca de control de velocidad a la posición "N" neutral.

Para cortar el césped, coloque la palanca de control de velocidad en la posición "Velocidad de corte" o una velocidad de avance menor para obtener los mejores resultados.

NOTA: No utilice el pedal de freno para controlar la velocidad de piso del tractor cortacésped. Utilice siempre la palanca de control de velocidad para reducir la velocidad de piso del tractor. Si presiona el pedal de freno con la palanca de control de velocidad enganchada como parte de la operación normal ocasionará el desgaste prematuro de la correa de transmisión.

IMPORTANTE: No intente cambiar la dirección de desplazamiento mientras el tractor esté en movimiento. Puede causar daños graves a la transmisión del tractor. Siempre pare completamente el tractor cortacésped antes de mover la palanca de control de velocidad desde la posición de avance a la de marcha atrás o viceversa.



FUNCIONAMIENTO

CVT

La palanca de control de velocidad, ubicada del lado izquierdo inferior del tablero de instrumentos del tractor, le permite regular la velocidad absoluta del tractor cortacésped.

Para utilizarla, presione el pedal del embrague-freno, saque la palanca de la muesca del freno de estacionamiento y llévela hacia adelante para aumentar la velocidad de piso del tractor. Cuando haya alcanzado la velocidad deseada, suelte la palanca en la muesca adecuada para mantener esa velocidad.

Para reducir la velocidad de piso del tractor, presione el pedal del embrague-freno, lleve la palanca de control de velocidad hacia atrás y suéltela dentro de una muesca.



Pedal y palanca del freno de mano (si está incluido)

El pedal de freno está ubicado sobre el estribo izquierdo del tractor cortacésped. Se utiliza para poner el freno de mano y para detener el tractor cortacésped en situaciones sorpresivas. La palanca del freno de mano está ubicada del lado izquierdo del tablero de instrumentos del tractor.

Para poner el freno de mano: Presione totalmente el pedal del freno. Mueva la palanca del freno de mano totalmente hacia abajo a la posición de freno de mano (CON FRENO DE MANO) y luego suelte el pedal de freno para permitir que el freno de mano enganche.

Para sacar el freno de mano: Presione el pedal de freno y la palanca del freno de mano automáticamente saldrá de la posición del freno de mano.

En una situación sorpresiva, presione a fondo el pedal de freno para hacer parar el tractor y luego mueva inmediatamente la palanca de control de velocidad a la posición "N" neutral.

IMPORTANTE: No utilice el pedal de freno para controlar la velocidad de piso del tractor cortacésped. Si lo hace ocasionará el desgaste prematuro de la correa de transmisión. Utilice siempre la palanca de control de velocidad para controlar la velocidad de piso del tractor cortacésped y para detenerlo en circunstancias normales.

NOTA: Se debe presionar el pedal de freno para poner en marcha el motor. Si el operador abandona el asiento y deja el motor en funcionamiento, también deberá colocar el freno de mano, o el motor se apagará de forma automática. Consulte Interruptores de enclavamiento de seguridad en la página 14.

Pedal de embrague-freno y freno de mano (si está equipado)

El pedal del embrague-freno está ubicado del lado izquierdo del tractor cortacésped, a lo largo del estribo. Presione el pedal del embrague-freno parcialmente hacia abajo cuando reduzca la velocidad del tractor cambiando de marchas. Consulte la sección Palanca de control de velocidad en la página 15. Presione el pedal totalmente hacia abajo para enganchar el freno de disco y hacer que el tractor se pare completamente.

NOTA: Se debe oprimir el pedal del embrague-freno para poner en marcha el motor. Consulte Interruptores de enclavamiento de seguridad en la página 47.

Para poner el freno de mano: Presione totalmente el pedal del freno. Mueva la palanca del freno de mano hacia abajo hasta la posición de freno de mano. Suelte el pedal del freno para permitir que el freno de mano quede puesto.

Para sacar el freno de mano: Presione el pedal de freno y la palanca del freno de mano saldrá de la posición del freno de mano. El freno de mano se desenganchará. Suelte el pedal de freno.

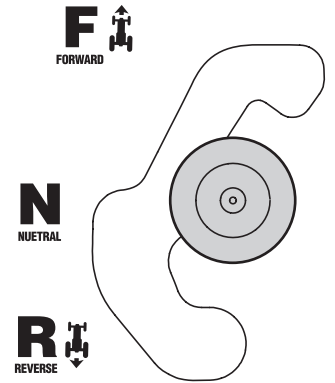
NOTA: Si el operador abandona el asiento y deja el motor en funcionamiento, deberá colocar el freno de mano, o el motor se apagará de forma automática.



Palanca de cambios

La palanca de cambios está ubicada del lado izquierdo del guardabarros y tiene tres posiciones, AVANCE (F), NEUTRAL (N) y MARCHA ATRÁS (R). El pedal de freno debe estar presionado y el tractor no debe estar en movimiento cuando mueva la palanca de cambios.

IMPORTANTE: Nunca fuerce la palanca de cambios. De hacerlo, puede dañarse seriamente la transmisión del tractor cortacésped.



Pedal de marcha (si está incluido)

El pedal de marcha está ubicado a la derecha del tractor, sobre el estribo. Presione el pedal de marcha hacia adelante y el tractor cortacésped se moverá en la dirección en que está enganchada la palanca de cambios. Para hacer que el tractor se desplace hacia adelante, mientras está totalmente parado, mueva la palanca de cambios a la posición AVANCE (F). Pise gradualmente el pedal de marcha y el tractor cortacésped comenzará a avanzar. Para desplazarse marcha atrás, siga el mismo procedimiento moviendo la palanca de cambios a la posición MARCHA ATRÁS (R).

La velocidad de avance se controla con el pedal de marcha. Cuanto más se presione el pedal hacia adelante, más rápido se moverá el tractor. El pedal volverá a su posición original cuando se deje de presionarlo. Consulte la sección Conducción del tractor en la página 19 para ver instrucciones detalladas sobre el pedal de marcha.

IMPORTANTE: Coloque siempre el freno de mano cuando deje el tractor cortacésped sin vigilancia.

Faros delanteros

Los faros delanteros se encuentran en el frente del tractor cortacésped.

- En algunos modelos, las luces se ENCIENDE cuando el motor del tractor está en funcionamiento.
- En algunos modelos, las luces se ENCIENDEN cada vez que se saca la llave de contacto de la posición PARADO.
- En todos los modelos, las luces se APAGAN cuando se coloca la llave de contacto en la posición PARADO.

FUNCIONAMIENTO

Módulo del interruptor de contacto

El interruptor de contacto se usa para arrancar el motor. Inserte la llave en el interruptor de contacto y gírela hacia la derecha a la posición ARRANQUE. Suelte la llave en la posición ENCENDIDO una vez que haya arrancado el motor. Consulte la Figura 14A. El motor funcionará con los faros delanteros ENCENDIDOS.

Para detener el motor, gire la llave de contacto hacia la izquierda a la posición APAGADO. Consulte la Figura 14.

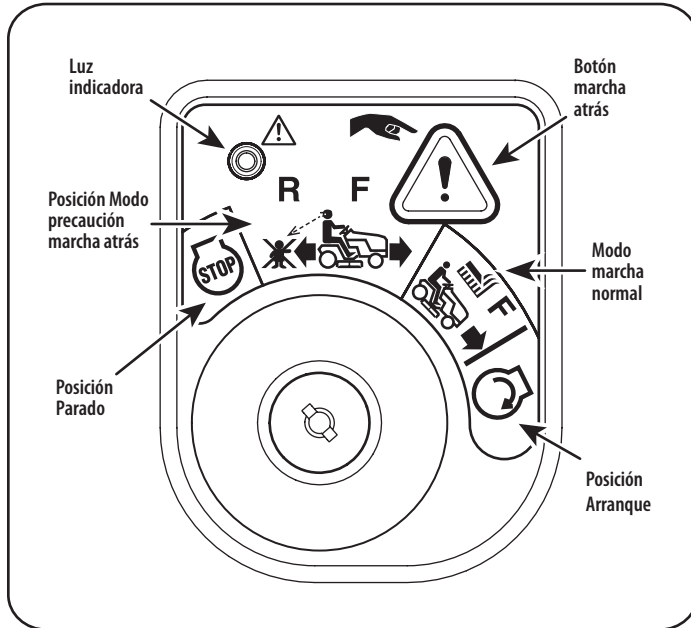


Figura 14

ADVERTENCIA

Nunca deje la máquina en funcionamiento sin vigilancia. Desenganche siempre la PTO, mueva la palanca de cambios a la posición Neutral, ponga el freno de mano, pare el motor y retire la llave, para evitar que alguien arranque accidentalmente el motor.

IMPORTANTE: Antes de operar el tractor cortacésped, consulte Interruptores de enclavamiento de seguridad y Arranque del motor en la sección Funcionamiento de este manual para ver instrucciones detalladas sobre el Módulo del interruptor de contacto y el funcionamiento del tractor en el modo PRECAUCIÓN MARCHA ATRÁS.

Palanca de elevación de la plataforma

La palanca de elevación de la plataforma se encuentra sobre el guardabarros derecho del tractor cortacésped. Se usa para controlar la altura de la plataforma de corte. Para utilizarla, mueva la palanca hacia la izquierda, luego colóquela en la muesca que mejor se adapte a la aplicación deseada.

Palanca de PTO

La palanca de PTO se encuentra sobre el guardabarros derecho del tractor cortacésped. Se usa para suministrar energía a la plataforma de corte y otros accesorios opcionales. Para hacerla funcionar, mueva la palanca totalmente hacia adelante. Moviendo la palanca totalmente hacia atrás, a la posición SIN PTO, se corta la energía a la plataforma de corte o accesorio.

NOTA: Al arrancar el motor, la palanca de PTO debe encontrarse desenganchada en la posición SIN PTO.



Interruptores de enclavamiento de seguridad

Este tractor está equipado con un sistema de enclavamiento de seguridad para protección del operador. Si el sistema de enclavamiento funciona mal, no se debe hacer funcionar el tractor cortacésped. Comuníquese con un distribuidor de servicio autorizado.

- El sistema de enclavamiento de seguridad impide que el motor arranque o se encienda salvo que esté colocado el freno de mano, y la palanca PTO se encuentre desenganchada en la posición SIN PTO.
- Si el operador abandona su asiento antes de colocar el freno de mano, el motor se apagará automáticamente.
- Si el operador abandona el asiento del tractor con la palanca de PTO enganchada en la posición CON PTO, el motor se apaga de manera automática, independientemente de que el freno de mano esté enganchado o no.

Interruptor de contacto de 3 posiciones (si está equipado)

El motor se apagará automáticamente si la palanca de la PTO se mueve a la posición enganchada CON PTO con la palanca de control de velocidad en posición MARCHA ATRÁS (R).

Módulo del interruptor de contacto (si está equipado)

Con la llave de contacto en la posición MODO MARCHA NORMAL, el motor se APAGARÁ automáticamente si la palanca PTO se engancha en la posición CON PTO con la palanca de cambios en la posición MARCHA ATRÁS (R).

ADVERTENCIA

No opere el tractor si el sistema de enclavamiento funciona mal. El sistema fue diseñado para brindarle seguridad y protección.

Modo precaución marcha atrás (si está equipado)

ADVERTENCIA

Tenga sumo cuidado al operar el tractor en el MODO PRECAUCIÓN MARCHA ATRÁS. Mire siempre hacia abajo y hacia atrás antes y durante la marcha atrás. No haga funcionar el tractor cuando haya niños u otras personas cerca. Detenga el tractor cortacésped inmediatamente si alguien se acerca.

La posición MODO PRECAUCIÓN MARCHA ATRÁS del módulo de la llave de contacto permite operar el tractor cortacésped en marcha atrás con las cuchillas (PTO) enganchadas.

IMPORTANTE: No se recomienda cortar el césped en marcha atrás.

Para utilizar el MODO PRECAUCIÓN MARCHA ATRÁS:

IMPORTANTE: El operador DEBE estar sentado en el asiento del tractor cortacésped.

- Ponga en marcha el motor como se indica en la página 48.

FUNCIONAMIENTO

2. Gire la llave desde la posición MODO MARCHA NORMAL (verde) hasta la posición de MODO PRECAUCIÓN MARCHA ATRÁS (amarillo) del módulo del interruptor de contacto. Consulte la Figura 15.

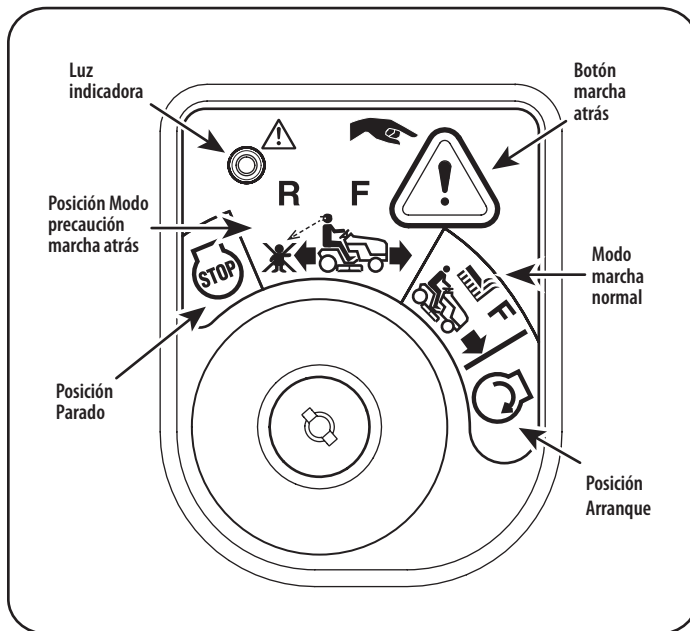


Figura 15

3. Presione el BOTÓN MARCHA ATRÁS (botón triangular color naranja) en la esquina superior derecha del módulo del interruptor de contacto. La luz indicadora roja que está en el ángulo superior izquierdo del módulo del interruptor de contacto se mantendrá ENCENDIDA mientras está activada. Consulte la Figura 15.
4. Una vez activada (luz indicadora ENCENDIDA), el tractor podrá operar en marcha atrás con las cuchillas de corte (PTO) enganchadas.
5. Siempre mire hacia abajo y hacia atrás antes y mientras se desplaza marcha atrás, para verificar que no haya niños cerca.
6. Una vez retomado el movimiento hacia adelante, vuelva a colocar la llave en la posición MODO MARCHA NORMAL.

IMPORTANTE: El MODO PRECAUCIÓN MARCHA ATRÁS permanece activado hasta que:

- Se coloca la llave en la posición MODO MARCHA NORMAL o en la posición PARADO.
- El operador coloca el freno de mano, presionando totalmente el pedal de freno y manteniéndolo mientras mueve la palanca del freno de mano a la posición FRENO DE MANO.

Colocación del freno de mano

1. Presione totalmente el pedal de freno/pedal de freno-embrague y manténgalo deprimido con el pie.
2. Mueva la palanca del freno de mano totalmente hacia abajo hasta la posición CON.
3. Suelte el pedal de freno/pedal de freno-embrague para permitir que el freno de mano enganche.

Para soltar el freno de mano.

Presione el pedal de freno/pedal de freno-embrague, saque la palanca del freno de mano de la posición CON a la posición SIN.

Ajuste de la altura de corte

1. Seleccione la altura de corte de la cubierta de corte colocando la palanca de elevación de la cubierta en cualquiera de las cinco muescas de altura de corte, en el lado derecho del guardabarros.
2. Ajuste las ruedas de la plataforma, si están equipadas, para que queden a una distancia de entre $\frac{1}{4}$ de pulgada y $\frac{1}{2}$ pulgada por encima del terreno, cuando el tractor se encuentre en una superficie lisa y plana, como un camino de entrada particular.

⚠ ADVERTENCIA

Mantenga las manos y los pies alejados de la abertura de descarga de la plataforma de corte.

NOTA: Las ruedas de la plataforma, de los modelos equipados, son un mecanismo para el cuidado del césped y no fueron diseñadas para soportar el peso de la plataforma de corte.

NOTA: Consulte la sección Nivelación de la plataforma en la página 55 para obtener instrucciones detalladas sobre diferentes ajustes de la plataforma.

Arranque del motor

⚠ ADVERTENCIA

No opere el tractor si el sistema de enclavamiento funciona mal. El sistema fue diseñado para brindarle seguridad y protección.

NOTA: Consulte las instrucciones de Llenado de gasolina y aceite en la página 41.

1. Inserte la llave en el interruptor de contacto.
2. Coloque la palanca de PTO en la posición desenganchada (SIN PTO).
3. Coloque el freno de mano del tractor cortacésped (si está equipado).
4. Active el control del cebador.
5. Gire la llave hacia la derecha a la posición ARRANQUE. Una vez que arranque el motor, suelte la llave. Volverá a la posición CON PTO (o MODO MARCHA NORMAL).
6. Después de que arranque el motor, desactive el control del acelerador/cebador y coloque el control del acelerador/cebador en la posición RÁPIDO.

IMPORTANTE: NO mantenga la llave en la posición ARRANQUE durante más de 10 segundos por vez. Si lo hace, puede ocasionar daños al arrancador eléctrico del motor.

NOTA: NO deje el control del cebador activado mientras hace funcionar el tractor cortacésped. Si lo hace, se generará una mezcla de combustible "rica", lo cual hará que el motor no funcione bien.

Para parar el motor

⚠ ADVERTENCIA

Si golpea contra algún objeto extraño, pare el motor, desconecte los cables de las bujías y conecte el motor a masa. Inspeccione minuciosamente la máquina para ver si está dañada. Repare el daño antes de volver a arrancar y hacer funcionar.

1. Si las cuchillas están enganchadas, coloque la palanca de PTO en la posición desenganchada (SIN).
2. Gire la llave hacia la izquierda a la posición PARADO.
3. Retire la llave del interruptor de contacto para evitar que alguien arranque accidentalmente el motor.

FUNCIONAMIENTO

Conducción del tractor cortacésped

IMPORTANTE: Los operadores primerizos deben familiarizarse por completo con el funcionamiento y los controles del tractor cortacésped antes de hacerlo funcionar a velocidades más altas,

ADVERTENCIA

Siempre mire hacia abajo y hacia atrás antes de retroceder y mientras lo hace, para evitar accidentes por manejar marcha atrás.

ADVERTENCIA

Antes de dejar la posición del operador, coloque la palanca de PTO en la posición desenganchada (SIN PTO), coloque la palanca de control de velocidad en NEUTRAL (N), coloque el freno de mano, pare el motor y retire la llave para evitar que arranque accidentalmente. Presione el pedal de freno para liberar el freno de mano y deje que suba el pedal.

Hidrostático

1. Mueva la palanca del acelerador a la posición RÁPIDO (liebre).

NOTA: Siempre haga funcionar el tractor cortacésped con la palanca del acelerador en la posición RÁPIDO (liebre), para un uso más eficaz de la plataforma de corte o de otros accesorios (disponibles por separado).

2. Presione el pedal de freno para liberar el freno de mano.
3. Mueva lentamente la palanca de control de velocidad a la posición deseada, AVANCE (F) o MARCHA ATRÁS (R). Cuanto más se mueva la palanca hacia adelante o hacia atrás, más rápido se desplazará el tractor cortacésped.

ADVERTENCIA

No intente cambiar la dirección de desplazamiento mientras el tractor esté en movimiento. Siempre pare completamente el tractor cortacésped antes de mover la palanca de control de velocidad desde la posición de avance a la de marcha atrás o viceversa. De no hacerlo se pueden producir daños graves a la transmisión del tractor.

IMPORTANTE: Quienes utilicen la máquina por primera vez debe usar velocidades más bajas. Familiarícese por completo con el funcionamiento y los controles del tractor antes de operar el tractor a una velocidad más alta.

4. Para parar, mueva la palanca de control de velocidad a la posición NEUTRAL (N).

IMPORTANTE: En una situación sorpresiva, presione a fondo el pedal de freno para hacer parar el tractor y luego mueva inmediatamente la palanca de control de velocidad a la posición "N" neutral.

5. Coloque el freno de mano presionando a fondo el pedal de freno y manteniéndolo presionado mientras coloca la palanca del freno de mano en la posición ON. Suelte el pedal de freno para permitir que el freno de mano enganche.

ADVERTENCIA

Antes de abandonar la posición del operador por cualquier motivo, desenganche las cuchillas, coloque la palanca de control de velocidad en neutral, coloque el freno de mano, APAGUE el motor y retire la llave.

CVT

1. Presione el pedal de embrague-freno para liberar el freno de mano y deje que suba el pedal.
2. Mueva la palanca del acelerador a la posición RÁPIDO (liebre).
3. Coloque la palanca de cambios en posición AVANCE (F) o MARCHA ATRÁS (R).

ADVERTENCIA

NO use la palanca de cambios para cambiar la dirección de desplazamiento mientras el tractor esté en movimiento. Use siempre el pedal de embrague-freno para hacer parar el tractor por completo antes de hacer el cambio.

4. Suelte el freno de mano presionando el pedal del embrague-freno y colocando la palanca de control de velocidad en la posición deseada.
5. Suelte el pedal del embrague-freno lentamente para poner la unidad en movimiento.
6. El tractor cortacésped se para presionando el pedal del embrague-freno.

IMPORTANTE: Los operadores primerizos deben usar las posiciones de velocidad 1 o 2. Familiarícese por completo con el funcionamiento y los controles del tractor cortacésped antes de hacerlo funcionar a velocidades más altas,

NOTA: Al operar la unidad inicialmente, habrá poca diferencia entre las dos velocidades más altas hasta que las correas se hayan asentado en las poleas durante el período de ablande.

ADVERTENCIA

Antes de abandonar la posición del operador, desenganche las cuchillas, coloque la palanca en neutral, coloque el freno de mano, APAGUE el motor y retire la llave de contacto.

Si la unidad se detiene con el control de velocidad en la posición de alta velocidad, o si la unidad no funciona con la palanca de control de velocidad en la posición de baja velocidad, realice lo siguiente:

1. Coloque la palanca de cambios en posición NEUTRAL (N).
2. Vuelva a arrancar el motor.
3. Coloque la palanca de control de velocidad en la posición de velocidad más alta.
4. Suelte completamente el pedal del embrague-freno.
5. Presione el pedal del embrague-freno.
6. Coloque la palanca de control de velocidad en la posición deseada.
7. Coloque la palanca de cambios en la posición AVANCE (F) o MARCHA ATRÁS (R), y siga el procedimiento normal de operación.

Pedal de CVT

1. Presione el pedal de freno para liberar el freno de mano y deje que suba el pedal.
2. Mueva la palanca del acelerador a la posición RÁPIDO (liebre).
3. Coloque la palanca de cambios en posición AVANCE (F) o MARCHA ATRÁS (R).

ADVERTENCIA

NO use la palanca de cambios para cambiar la dirección de desplazamiento mientras el tractor esté en movimiento. Use siempre el pedal de embrague-freno para hacer parar el tractor por completo antes de hacer el cambio.

4. Comience gradualmente a ejercer presión sobre el pedal de marcha. Cuanto más abajo presione el pedal, más rápido se desplazará el tractor cortacésped en la dirección deseada según la posición de la palanca de cambios.
5. El tractor cortacésped se para soltando el pedal de marcha y luego presionando el pedal de freno.

ADVERTENCIA

Antes de abandonar la posición del operador, desenganche las cuchillas, coloque la palanca en NEUTRAL (N), coloque el freno de mano, APAGUE el motor y retire la llave de contacto.

FUNCIONAMIENTO

Estacionamiento del tractor cortacésped

IMPORTANTE: Cuando pare el tractor por cualquier motivo en un área de césped:

1. Coloque la palanca de cambios/control de velocidad en N (neutral),
2. Ponga el freno de mano.
3. Apague el motor y retire la llave. Eso reducirá al mínimo la posibilidad de “quemar” el césped con el escape caliente del motor en funcionamiento del tractor cortacésped.

Conducción en pendientes

Consulte la sección INDICADOR DE PENDIENTE en la página 7 para determinar en qué pendientes puede operar el tractor de manera segura.

ADVERTENCIA

No corte en pendientes con una inclinación de más de 15° (elevación aproximada de 2-½ pies por cada 10 pies). El tractor podría darse vuelta y causar lesiones graves.

- En las pendientes corte hacia arriba y hacia abajo, NUNCA en forma transversal.
- Tenga sumo cuidado al cambiar de dirección en una pendiente.
- Esté atento a los hoyos, surcos, baches, rocas, y otros objetos ocultos. El terreno desnivelado puede voltear la máquina. El césped alto puede ocultar obstáculos.
- Evite realizar giros cuando opere en una pendiente. Si debe realizar un giro, hágalo pendiente abajo. Subir una pendiente aumenta enormemente las posibilidades de que el vehículo dé una vuelta de campana.
- Evite parar cuando suba una pendiente. Si fuese necesario detenerse mientras sube una pendiente, arranque suave y cuidadosamente para reducir la posibilidad de que el tractor se dé vuelta hacia atrás.

Enganche de las cuchillas

Al conectar la PTO (enganche de cuchilla) se suministra alimentación a la plataforma de corte. Para enganchar las cuchillas, haga lo siguiente:

1. Mueva la palanca de control del acelerador a la posición RÁPIDO (liebre).
2. Tome la palanca de la PTO y gírela totalmente hacia adelante a la posición enganchada (CON PTO).
3. Mantenga la palanca del acelerador en la posición RÁPIDO (liebre), para un uso más eficaz de la plataforma de corte u otros accesorios opcionales.

IMPORTANTE: Modelos con MODO PRECAUCIÓN MARCHA ATRÁS: El motor se apagará automáticamente si la PTO está enganchada con la palanca de control de velocidad en posición de marcha atrás con la llave en la posición MODO CORTE NORMAL.

IMPORTANTE: Modelos sin MODO PRECAUCIÓN MARCHA ATRÁS: La palanca de PTO debe estar en la posición desenganchada (SIN PTO) al arrancar el motor, cuando se desplaza marcha atrás, y si el operador abandona su asiento. Consulte Interruptores de enclavamiento de seguridad en la página 47.

Uso de la palanca de elevación de la plataforma

Para elevar la plataforma de corte, mueva la palanca de elevación de la plataforma hacia la izquierda, luego colóquela en la muesca que mejor se adapte a la aplicación deseada. Consulte Ajuste de la altura de corte en la página 45.

Corte de césped

ADVERTENCIA

Para tratar de evitar el contacto con las cuchillas o una lesión por un objeto que sea arrojado, mantenga a los observadores, ayudantes, niños y mascotas alejados al menos 25 metros de la máquina mientras está funcionando. Pare la máquina si alguien ingresa a la zona.

La siguiente información será de utilidad cuando use la plataforma de corte con su tractor:

ADVERTENCIA

Planifique el patrón de corte, para evitar que la descarga de materiales se realice hacia los caminos, las veredas, los observadores, etc. Evite además descargar material contra una pared u obstrucción, ya que esto podría hacer que el material descargado rebotara contra el operador.

- No corte a alta velocidad absoluta, especialmente si tiene instalado un kit de abono o un colector de césped.
- Para obtener los mejores resultados, se recomienda realizar los dos primeros cortes de césped arrojando la descarga hacia el centro. Después de las dos primeras vueltas, cambie la dirección para arrojar la descarga hacia afuera, para equilibrar el corte. Esto otorgará un mejor aspecto al césped.
- No corte el césped demasiado corto. El césped corto es propicio para el crecimiento de malezas y se pone amarillo rápidamente cuando escasea la lluvia.
- El corte del césped siempre debe realizarse con el acelerador del motor al máximo.
- En terrenos difíciles, puede resultar necesario pasar por segunda vez el tractor cortacésped sobre el área ya cortada, para obtener un corte más prolijo.
- NO intente cortar malezas frondosas o césped extremadamente alto. El tractor cortacésped fue diseñado para cortar el césped, NO para desmalezar.
- Mantenga las cuchillas afiladas y cámbielas cuando se gasten. Consulte la sección Cuchillas de corte en la página 27 para obtener instrucciones sobre cómo afilar correctamente las cuchillas.

SERVICIO Y MANTENIMIENTO

PROGRAMA DE MANTENIMIENTO

ADVERTENCIA

Antes de realizar cualquier tipo de mantenimiento o servicio, desactive todos los controles y detenga el motor. Espere a que se detengan completamente todas las piezas móviles. Desconecte el cable de la bujía y póngalo haciendo masa contra el motor para evitar que se encienda accidentalmente. Utilice siempre anteojos de seguridad durante la operación o mientras realiza ajustes o reparaciones.

Siga el cronograma de mantenimiento que se presenta a continuación. En esta tabla sólo describen pautas de servicio. Utilice la columna Registro de Servicio para hacer el seguimiento de las tareas de mantenimiento completadas. **Para ubicar el Centro de servicio de reparaciones y piezas más cercano o para programar el servicio de mantenimiento o reparación, simplemente comuníquese al teléfono 1-888-331-4569.**

Consulte el Manual del operador del motor para ver los elementos de mantenimiento del motor que se enumeran en la tabla a continuación.

Intervalo	Artículo	Servicio	Registro de servicio
Cada uso	<ol style="list-style-type: none"> Las Pantallas de Entrada de Motor y los Ventiladores de Enfriamiento * El Colector de Escape, el Silenciador y los Escudos del Silenciador * La Campana/Tablero Tableros * La parte superior y la parte inferior de la cubierta, debajo y alrededor de las cubiertas del eje y el área de la correa * Alrededor de los fusibles, el cableado y los arneses de cableado * Alrededor de la transmisión, el eje y los ventiladores * 	<ol style="list-style-type: none"> Verificar/limpiar Verificar/limpiar Verificar/limpiar Verificar/limpiar Verificar/limpiar Verificar/limpiar 	
Durante las primeras cinco horas	<ol style="list-style-type: none"> Aceite del motor 	<ol style="list-style-type: none"> Cambiar (Consulte el manual del motor) 	
Cada 10 horas	<ol style="list-style-type: none"> Ventilación del capó/tablero de instrumentos Bornes de las baterías Puntos de pivote del pedal 	<ol style="list-style-type: none"> Limpiar Limpiar Lubricar 	
Cada 25 horas	<ol style="list-style-type: none"> Ejes y llantas Ventiladores de enfriamiento del motor Prefiltro del filtro de aire* Filtro de aire* 	<ol style="list-style-type: none"> Lubricar Lubricar Limpiar (Consulte el manual del motor) Limpiar (Consulte el manual del motor) 	
Cada 50 horas	<ol style="list-style-type: none"> Correas y poleas Aceite del motor Filtro de aceite Filtro de aire Filtro de combustible 	<ol style="list-style-type: none"> Verificar para detectar desgaste y daños Cambiar (Consulte el manual del motor) Reemplazar (Consulte el manual del motor) Limpiar o cambiar (Consulte el manual del motor). Reemplazar (Consulte el manual del motor) 	
Cada 100 horas	<ol style="list-style-type: none"> Herrajes Estado/separación de las bujías 	<ol style="list-style-type: none"> Verificar Verificar (Consulte el manual del motor) 	
Antes de almacenar	<ol style="list-style-type: none"> Ventilación del capó/tablero de instrumentos Bornes de las baterías Puntos de pivote del pedal Ejes y llantas Ventiladores de enfriamiento del motor Puntos de lubricación Cuchillas Neumáticos Ruedas delanteras Plataforma Ruedas de la plataforma Nivel/inclinación de la plataforma Husillos de plataforma Estado/separación de las bujías Aceite del motor Filtro de aceite 	<ol style="list-style-type: none"> Limpiar Limpiar Lubricar Lubricar Lubricar Engrasar Verificar/Afilar/Reemplazar según sea necesario Verificar Lubricar Verificar/limpiar Inspeccionar y lubricar Verificar Lubricar Verificar (Consulte el manual del motor) Cambiar (Consulte el manual del motor) Reemplazar (Consulte el manual del motor) 	

* -- Realice la mayoría de las veces en condiciones secas y / o cuando esté cubriendo con mantillo

SERVICIO Y MANTENIMIENTO

Mantenimiento

⚠ ADVERTENCIA

Antes de realizar tareas de mantenimiento o reparaciones, desconecte la potencia de arranque (PTO), mueva la palanca de cambios a la posición neutral, coloque el freno de mano, apague el motor y retire la llave, para evitar el arranque accidental del motor.

⚠ ADVERTENCIA

Si el motor ha estado en funcionamiento recientemente, el motor, el silenciador y las superficies metálicas circundantes estarán calientes y pueden causar quemaduras en la piel. Tenga precaución para evitar quemaduras.

Después de la operación del tractor Cuidado

Después de cada operación del tractor, los siguientes procedimientos deben ser implementados para extender la vida útil de su tractor y garantizar condiciones seguras de operación.

⚠ PELIGRO

El incumplimiento de estas recomendaciones puede provocar lesiones graves a sí mismo oa otros y puede causar daños en el tractor.

Limpieza de la parte inferior del piso

Sistema de lavado de cubierta

La plataforma de su tractor está equipada con un puerto de agua sobre su superficie como parte del sistema de lavado de la plataforma.

Utilice el Smart Jet para quitar los recortes de césped de la parte inferior de la plataforma e impedir la acumulación de sustancias químicas corrosivas. Realice los siguientes pasos DESPUÉS DE CADA CORTE DE CÉSPED:

1. Dirija el tractor a una zona nivelada y despejada del césped, que se encuentre suficientemente cerca de una canilla de agua al alcance de la manguera del jardín.

⚠ PRECAUCIÓN

Asegúrese de que el canal de descarga del tractor NO ESTÉ ORIENTADO EN LA DIRECCIÓN en que se encuentran las personas, la casa, el garaje, los vehículos estacionados, etc.

2. Desconecte la toma de fuerza (PTO), aplique el freno de mano y detenga el motor.
3. Enrosque el acople de manguera (embalado con el Manual del Operador de su tractor) en el extremo de la manguera de jardín.

44. Una el acople de la manguera al puerto de agua que se encuentra en la superficie de la plataforma. Vea la Figura 16.

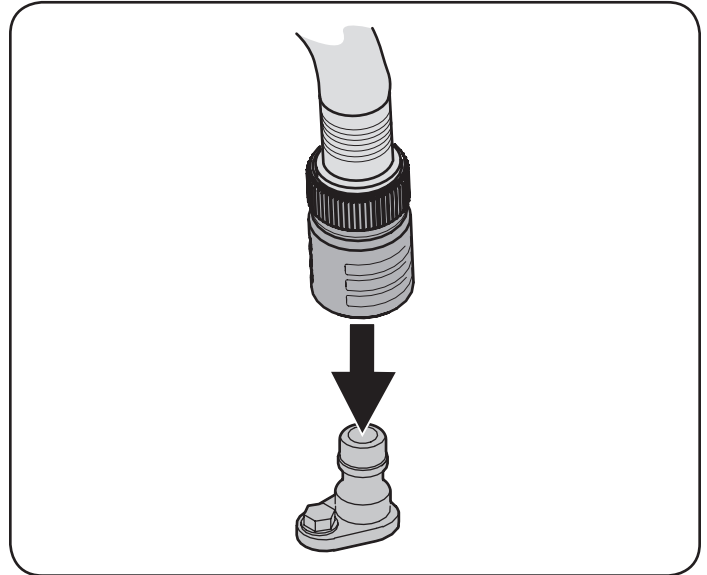


Figura 16

45. Abra el suministro de agua.
46. Mientras está sentado en la posición del operador del tractor, arranque el motor y coloque la palanca del regulador en la posición FAST (velocidad rápida).
47. Mueva la PTO del tractor a la posición de activación (ON).
48. Permanezca en la posición del operador con la plataforma enganchada durante dos minutos como mínimo, permitiendo que la parte inferior de la plataforma de corte se lave a fondo.
49. Mueva la PTO del tractor a la posición de desactivación (OFF).
50. Gire la llave de encendido a la posición STOP (detención) para apagar el motor del tractor.
51. Desconecte el agua y retire el acoplador de la manguera desde el puerto de agua que se encuentra en la superficie de la plataforma.
52. NOTA: En las plataformas de 50 y 54 pulgadas hay dos puertos de agua; uno a cada lado de la plataforma.
53. Después de limpiar la plataforma con el sistema Smart Jet, regrese a la posición del operador y active la PTO. Mantenga la plataforma en funcionamiento durante dos minutos por lo menos para permitir que se seque totalmente la parte inferior de la misma.

Limpieza del tractor

⚠ ADVERTENCIA

Si el tractor ha sido recientemente funcionar, el motor, el silenciador y las superficies metálicas circundantes estarán calientes y pueden causar quemaduras en la piel. Deje que el motor se enfríe durante al menos cinco minutos la precaución para evitar quemaduras.

Su tractor debe limpiarse después de cada uso y bajo ciertas condiciones, es decir, condiciones secas y/o situaciones de picado, de limpieza adicional puede ser necesario.

Una de las mejores maneras de mantener su tractor funcionando de manera eficiente y para reducir el riesgo de incendio es eliminar la acumulación de basura con regularidad desde el tractor. Siga las recomendaciones a continuación y póngase en contacto con su distribuidor autorizado con cualquier pregunta.

- Deje que la máquina se enfríe en un área abierta antes de la limpieza.
- No use agua en cualquier parte del tractor, excepto la parte inferior de la plataforma de corte. Si lo hace, puede provocar daños en los rodamientos para husillos del tractor, el sistema eléctrico y el motor, lo que lleva a fallas prematuras. El uso de aire comprimido y / o soplador de hojas se ayudan a mantener limpio el tractor.

SERVICIO Y MANTENIMIENTO

- Clean bajo el capó. Colector de escape, alrededor de fusibles, todo el cableado y arneses, tubo silenciador, escudo de silenciador, pantallas de admisión del motor y las aletas de refrigeración, etc. Vea la Figura 17.

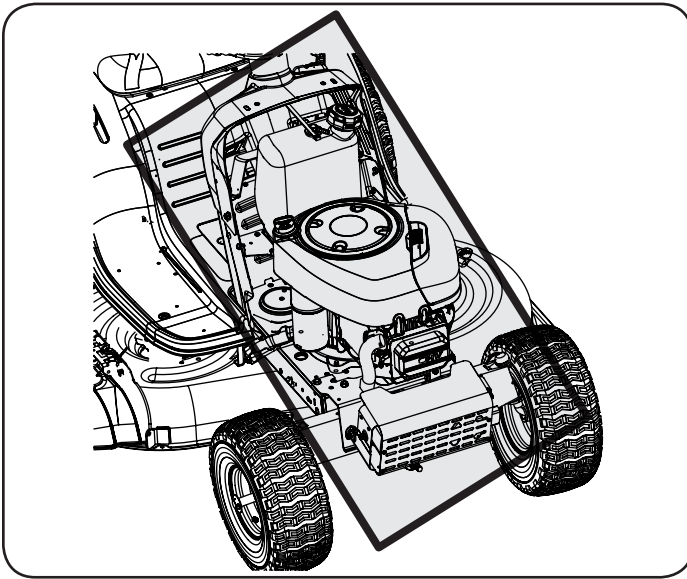


Figura 17

- Limpiar la parte superior de la plataforma de corte, bajo las sábanas de husillo y área de la correa. Vea la Figura 18.

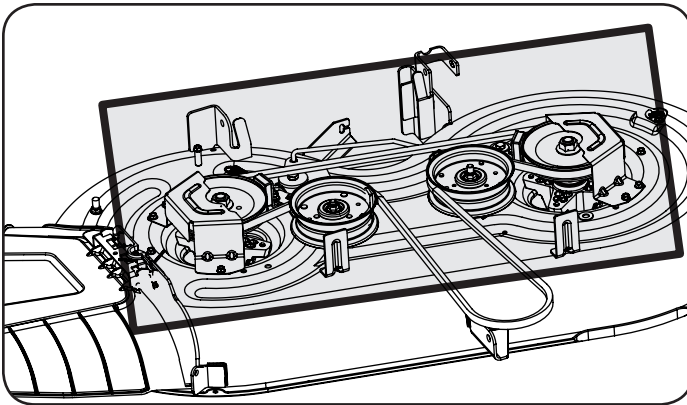


Figura 18

- Limpia alrededor y cerca de la transmisión, el eje y el área del ventilador. Vea la Figura 19.

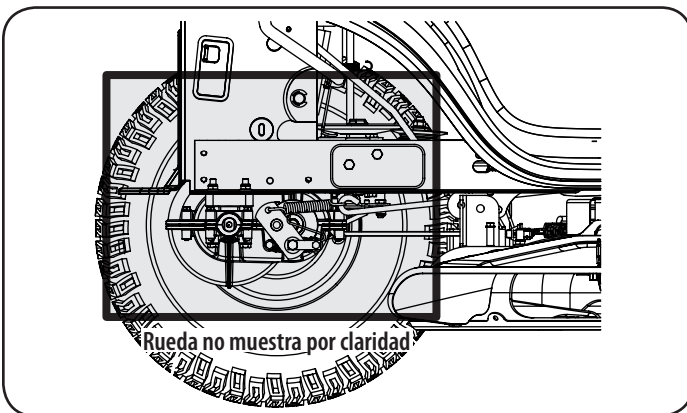


Figura 19

- Los residuos pueden acumularse en cualquier lugar en el tractor, especialmente en superficies horizontales. Limpieza adicional puede ser necesaria cuando la siega en condiciones secas o cuando acolchado.
- Fugas de combustible / derrames, fugas de aceite / derrames y el exceso de lubricación también pueden convertirse en sitios de colecciones de escombros. Inmediata reparación y limpieza de derrames de aceite o combustible puede ayudar a reducir los riesgos de incendio.
- Además de limpiar el tractor, antes de manejar y almacenar, no intente cortar inusualmente alto (10" o superior), la hierba seca (por ejemplo, pasto) o pilas de hojas secas. Hierba u hojas en seco pueden ponerse en contacto con los gases de escape del motor y / o acumularse en la plataforma de corte en un peligro de incendio.

Almacenamiento del tractor

- Deje que la máquina se enfríe en un área abierta antes de guardarla.
- No estacione el tractor cerca de materiales inflamables (madera, tela o productos químicos) o cualquier llama abierta u otra fuente potencial de ignición (horno, calentador de agua o cualquier otro tipo de calentador).
- Retire todos los materiales combustibles desde el tractor antes de guardarla. Cajas de carga vacías, recogedores de hierba y contenedores.
- Siempre cerrar el flujo de combustible cuando almacenar o transportar si tractor está equipado con un cierre de combustible.
- Compruebe el sistema de combustible (líneas, el tanque, tapa y accesorios) con frecuencia grietas o fugas. Reparación y limpiar como sea necesario.

Motor

Consulte las instrucciones para el mantenimiento del motor en el Manual de operación del motor.

Controle el nivel de aceite del motor antes de cada uso según se indica en el manual de funcionamiento del motor. Siga las instrucciones con atención.

Cambio del aceite del motor

Modelos de manguera de drenaje de aceite

ADVERTENCIA

Si el motor ha estado en funcionamiento recientemente, el motor, el silenciador y las superficies metálicas circundantes estarán calientes y pueden causar quemaduras en la piel. Tenga precaución para evitar quemaduras.

NOTA: El filtro de aceite (si está incluido) se debe cambiar en cada intervalo de cambio de aceite.

Para realizar el cambio de aceite, proceda de la siguiente manera:

1. Deje el motor funcionando durante algunos minutos para que el aceite del cárter se caliente. El aceite caliente fluirá más libremente y arrastrará más sedimentos del motor que se puedan haber depositado en el fondo del cárter. Tenga cuidado y evite quemarse con el aceite caliente.
2. Abra el capó del tractor y ubique el orificio de drenaje de aceite del lado izquierdo del motor.

SERVICIO Y MANTENIMIENTO

- Abra la tapita protectora del extremo de la válvula de drenaje para visualizar el orificio de drenaje. Consulte el recuadro de Figura 20.

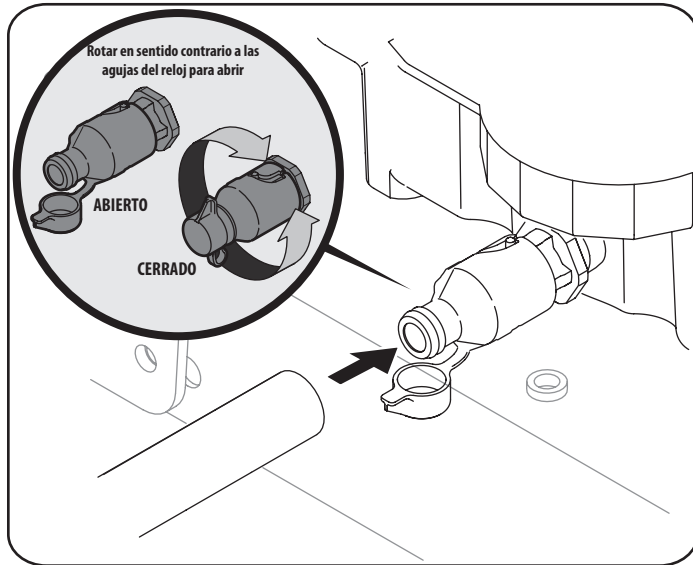


Figura 20

- Retire el tapón de llenado de aceite/la varilla de nivel de aceite del tubo de llenado.
- Presione la manquera de drenaje de aceite (que se acompaña) sobre el orificio de drenaje. Coloque el extremo libre de la manguera en un recipiente de recolección de aceite adecuado con una capacidad de por lo menos 2.5 cuartos de galón para recoger el aceite usado.
- Empuje ligeramente la válvula de drenaje de aceite y gire hacia la izquierda para abrir y permitir el flujo de aceite. Consulte la Figura 20.
- Después de que haya terminado de drenar el aceite, empuje hacia adentro la válvula de drenaje de aceite y rótelala a la posición cerrada. Vuelva a colocar la tapita del extremo de la válvula para evitar que entren residuos en el orificio de drenaje.
- Vuelva a colocar el filtro de aceite (si se incluye) como se indica en el Manual del Operador del Motor.
- Vuelva a llenar el motor con aceite nuevo. Consulte el Manual del Operador del Motor para ver información sobre la cantidad y viscosidad correctas del aceite de motor

Modelos de manga de drenaje de aceite

⚠ ADVERTENCIA

Si el motor ha estado en funcionamiento recientemente, el motor, el silenciador y las superficies metálicas circundantes estarán calientes y pueden causar quemaduras en la piel. Tenga precaución para evitar quemaduras.

Para realizar el cambio de aceite, proceda de la siguiente manera:

- Deje el motor funcionando durante algunos minutos para que el aceite del cárter se caliente. El aceite caliente fluirá más libremente y arrastrará más sedimentos del motor que se puedan haber depositado en el fondo del cárter. Tenga cuidado y evite quemarse con el aceite caliente.
- Abra el capó del tractor y ubique el orificio de drenaje de aceite del lado izquierdo del motor.
- Desenrosque el tapón de llenado de aceite y extraiga la varilla de nivel de aceite del tubo de llenado.

- Coloque el extremo pequeño de la manga de drenado en el cárter de aceite. Consulte la Figura 21.

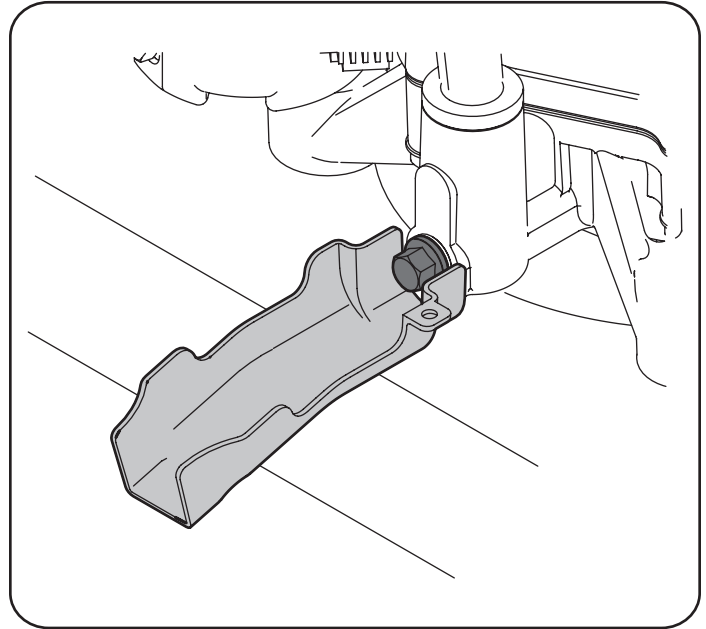


Figura 21

- Extraiga el tapón de drenado y vacíe el aceite en un contenedor apropiado, con una capacidad no menor a 64 oz.
- Haga el service del filtro de aceite (si se incluye) como se indica en el Manual del Operador del Motor.
- Realice los pasos anteriores en el orden inverso después de terminar de drenar el aceite.
- Vuelva a llenar el motor con aceite nuevo. Consulte el Manual del Operador del Motor para ver información sobre la cantidad y viscosidad correctas del aceite de motor

Lubricación

⚠ ADVERTENCIA

Antes de lubricar, reparar o inspeccionar, siempre debe desconectar la PTO, mueva la palanca de cambios a la posición neutral, coloque el freno de mano, apague el motor y retire la llave, para evitar que se encienda accidentalmente.

Motor

Lubrique el motor con aceite de motor como se indica en el Manual del Operador del Motor.

Puntos de pivote y varillaje

Lubrique todos los puntos de pivote del sistema de impulsión, el freno de mano y el varillaje de elevación al menos una vez por temporada con aceite ligero.

Ruedas traseras

Las ruedas traseras se deben sacar de los ejes una vez por temporada. Lubrique bien los ejes y las llantas con una grasa multiusos antes de reinstalarlos.

Ejes delanteros (sólo hidrostático)

Cada extremo de la barra de pivote delantera del tractor puede estar equipado con un accesorio de engrasado. Lubrique con pistola de grasa cada 25 horas de funcionamiento del tractor.

Faros delanteros

Reemplace las bombillas de los faros delanteros como sigue:

- Levante completamente el capó del tractor.
- Desconecte el juego de cables de los conectores hembra del faro. Tenga en cuenta qué cable se conecta a cada terminal antes de desconectar.

SERVICIO Y MANTENIMIENTO

3. Gire la boquilla conectora aproximadamente un $\frac{1}{4}$ de vuelta para alinear lengüeta con la muesca de la caja del reflector; luego retire el foco y la boquilla conectora de la caja del reflector. Consulte la Figura 22.

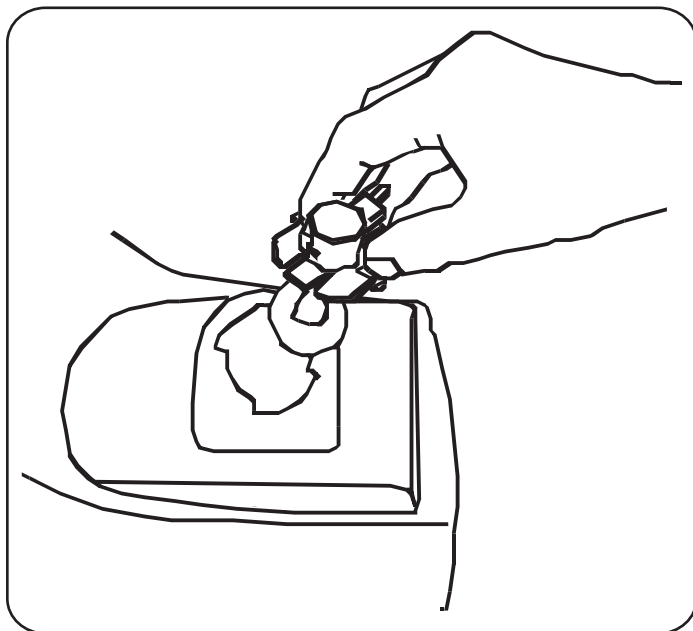


Figura 22

4. Empuje el foco hacia adentro y gire hacia la izquierda para extraerlo de la boquilla.
5. Alinee un poste de bloqueo del foco con la muesca de la boquilla, luego empuje el foco hacia adentro y gire hacia la derecha para bloquear. Consulte la Figura 22.
6. Alinee la lengüeta con la muesca de la caja del reflector; luego empuje la boquilla hacia adentro y gire según sea necesario para bloquear la boquilla en la caja.
7. Conecte el juego de cables en los conectores hembra correspondientes.

Limpieza del motor

Motor

Si se derrama combustible o aceite sobre la máquina, debe limpiarse de inmediato. NO permita que se acumulen desechos alrededor de las aletas de refrigeración del motor ni en ninguna otra parte de la máquina.

IMPORTANTE: NO se recomienda el uso de una lavadora de presión para limpiar el tractor. Puede dañar los componentes eléctricos, los husillos, las poleas, los rodamientos o el motor.

Batería

⚠ ADVERTENCIA

PROPOSICIÓN 65 DE CALIFORNIA Los bornes y contactos de la batería y los accesorios afines contienen plomo y compuestos de plomo, sustancias químicas que el Estado de California considera que pueden producir cáncer, defectos de nacimiento u otros problemas reproductivos. Lávese las manos después de estar en contacto con estos componentes.

⚠ PRECAUCIÓN

Si extrae la batería, desconecte primero el cable NEGATIVO (negro) de su borne y a continuación el cable POSITIVO (rojo). Cuando vuelva a instalar la batería, conecte siempre primero el cable POSITIVO (rojo) a su borne, y a continuación el cable NEGATIVO (negro).

La batería está sellada y no necesita mantenimiento. Los niveles de ácido no se pueden controlar.

- Siempre mantenga limpios y libres de acumulación de elementos corrosivos los cables y los bornes de la batería.
- Después de limpiar la batería y los bornes, aplique una capa delgada de vaselina o grasa a ambos bornes.
- Siempre mantenga los capuchones de goma colocados sobre el borne positivo para prevenir un cortocircuito.

IMPORTANTE: Asegúrese que los cables estén conectados a los bornes correctos, ya que si los cambia se podría invertir la polaridad y provocar un daño al sistema alternador del motor.

Limpieza de la batería

Limpie la batería retirándola del tractor y lavándola con bicarbonato de sodio y solución de agua. Si es necesario, limpie los bornes de la batería con un cepillo de alambre para quitar los depósitos. Cubra los bornes y los cables expuestos con una capa delgada de vaselina o engrase ambos bornes para prevenir la corrosión.

Desperfectos de la batería

Algunas causas comunes de falla de la batería son:

- Activación inicial incorrecta
- Sobrecarga
- Congelamiento
- Carga insuficiente
- Corrosión en las conexiones

NOTA: Estas fallas NO están cubiertas por la garantía de su tractor.

Carga

⚠ ADVERTENCIA

Mientras cargan, las baterías emiten un gas que puede causar explosiones. Cargue la batería en un área bien ventilada y manténgala alejada de una llama expuesta o piloto, como los de los calentadores de agua, calefactores de ambiente, hornos, secadores de ropa y otros aparatos a gas.

⚠ PRECAUCIÓN

Cuando cargue la batería de su tractor, utilice únicamente un cargador diseñado para baterías de plomo-ácido de 12V. Lea el manual del operador del cargador de la batería antes de cargar la batería de su tractor. Siempre siga las instrucciones y tenga en cuenta las advertencias.

Si su tractor no se ha utilizado durante un período de tiempo prolongado, cargue la batería de la siguiente manera:

Ajuste el cargador de batería para que produzca un máximo de 10 amperios. Si su cargador de batería es automático, cargue la batería hasta que el cargador indique que se ha completado la carga. Si el cargador no es automático, cargue durante ocho horas como mínimo.

Arranque con puente

⚠ ADVERTENCIA

Nunca arranque con puente una batería dañada o congelada. Asegúrese de que los vehículos no se toquen y los motores están apagados. No permita que las pinzas de los cables se toquen.

IMPORTANTE: Nunca haga arrancar la batería descargada de su tractor con un puente a la batería de un vehículo en marcha.

1. Conecte el cable positivo (+) al borne positivo (+) de la batería descargada de su tractor.
2. Conecte el otro extremo del cable al borne positivo (+) de la batería auxiliar.
3. Conecte el segundo cable negativo (-) al otro borne de la batería auxiliar.

SERVICIO Y MANTENIMIENTO

- Haga la conexión final al bloque del motor del tractor, alejado de la batería. Acople a una pieza sin pintura para garantizar una buena conexión.

⚠ PRECAUCIÓN

Si la batería auxiliar está instalada en un vehículo (un auto, un camión) NO ponga en marcha el motor del vehículo cuando arranque su tractor con un puente.

- Ponga en marcha el tractor según se indica en la página 18.
- Coloque el freno de mano del tractor antes de sacar los cables de arranque, en orden inverso de conexión.

⚠ ADVERTENCIA

Si el arranque con puente de la batería no es correcto, podrían generarse chispas, y podría explotar el gas de alguna de las dos baterías.

Extracción de la batería

Para sacar la batería, tire hacia afuera y luego hacia arriba de la ménsula de sujeción de la batería. Consulte la Figura 23.

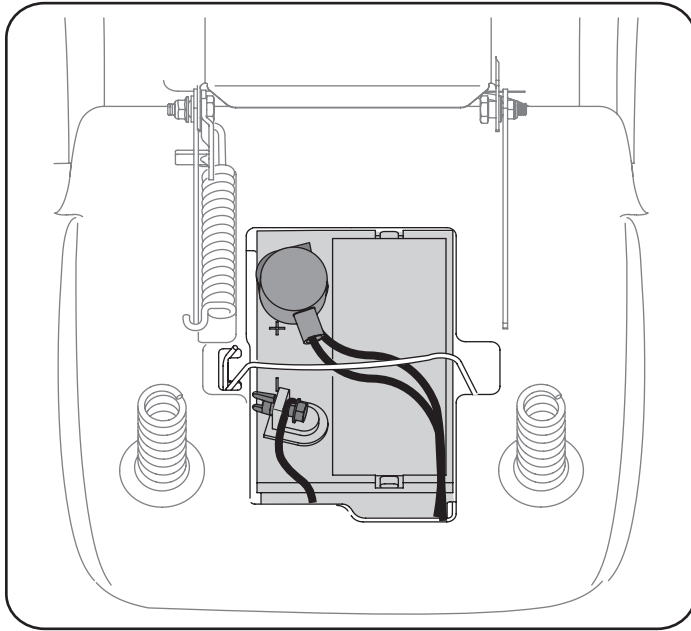


Figura 23

Fusible

En el mazo de cables de su tractor está instalado un fusible de 20 amperios, para proteger el sistema eléctrico del tractor de los daños causados por exceso de amperaje.

Si el sistema eléctrico no funciona, o el motor de su tractor no arranca, verifique que el fusible no se ha quemado. Se encuentra en la parte posterior de la unidad, debajo del guardabarros ubicado al lado de la batería.

⚠ ADVERTENCIA

Para el reemplazo utilice siempre un fusible con la misma capacidad de amperaje.

Nivelación de la plataforma

NOTA: Controle la presión de neumáticos del tractor antes de realizar cualquier nivelación de la plataforma. Consulte la sección Neumáticos en la página 27 para obtener información sobre la presión de los neumáticos.

De adelante hacia atrás

El frente de la plataforma de corte se apoya en una barra estabilizadora que se puede ajustar para nivelar la plataforma de adelante hacia atrás. El frente de la plataforma debe estar entre $\frac{1}{4}$ " y $\frac{3}{8}$ " más bajo que la parte posterior de la plataforma. De ser necesario, realice un ajuste de la siguiente manera:

- Con el tractor estacionado sobre una superficie firme y nivelada, coloque la palanca de elevación de la plataforma en la segunda muesca antes de la superior (segunda posición más elevada) y rote la cuchilla lo más cerca del canal de descarga que está paralelo al tractor.
- Mida la distancia desde la parte delantera de la punta de la cuchilla hasta el piso, y desde la parte posterior de la punta de la cuchilla hasta el piso. La primera medición debe ser entre $\frac{1}{4}$ " y $\frac{3}{8}$ " menor que la segunda. Determine la distancia aproximada necesaria para un ajuste adecuado y, de ser necesario, siga con el paso siguiente.
- Localice la contratuerca y la tuerca de seguridad que se encuentran en la parte delantera de la ménsula estabilizadora. Consulte la Figura 24.

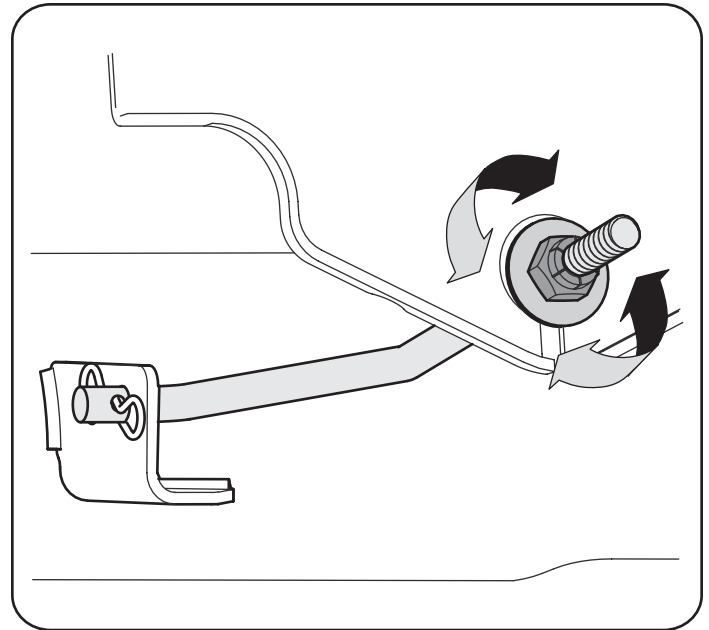


Figura 24

- Después de aflojar la contratuerca:
- Apriete la tuerca de seguridad para levantar la parte frontal de la plataforma;
- Afloje la tuerca de seguridad para bajar la parte frontal de la plataforma.
- Una vez alcanzado el ajuste adecuado, vuelva a ajustar la contratuerca que aflojó anteriormente.

De lado a lado

Si la plataforma de corte estuviera realizando el corte de césped de forma despereja, puede realizarse el ajuste lado a lado. De ser necesario, realice un ajuste de la siguiente manera:

- Con el tractor estacionado sobre una superficie firme y nivelada, coloque la palanca de elevación de la plataforma en la segunda muesca superior (segunda posición más alta) y rote ambas cuchillas para que queden perpendiculares al tractor.
- Mida la distancia desde la parte externa de la punta de la cuchilla izquierda hasta el piso, y desde la parte externa de la punta de la cuchilla derecha hasta el piso. Las dos mediciones obtenidas deben ser iguales. Si no lo son, realice el siguiente paso.

SERVICIO Y MANTENIMIENTO

3. Afloje, pero NO extraiga, el tornillo hexagonal (a) ubicado en la ménsula de suspensión izquierda de la plataforma. Consulte la Figura 25.

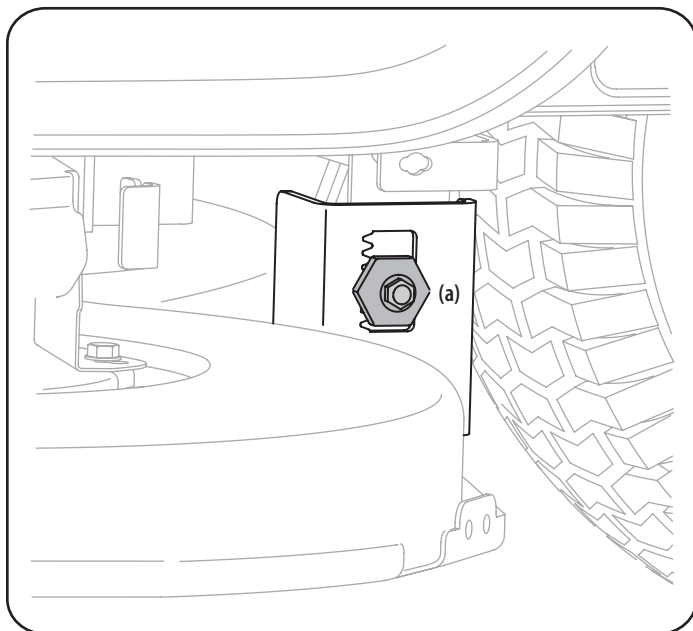


Figura 25

4. Equilibre la plataforma con una llave para girar el engranaje de ajuste (que se encuentra inmediatamente detrás del tornillo hexagonal que acaba de aflojar) hacia la derecha/arriba o hacia la izquierda/abajo. La plataforma se encuentra correctamente equilibrada cuando las dos mediciones que se tomaron anteriormente desde las puntas de las cuchillas son iguales.
5. Una vez logrado el ajuste correcto, vuelva a ajustar el tornillo hexagonal (a) de la ménsula de suspensión izquierda de la plataforma.

Ajuste del asiento

Consulte las instrucciones de Instalación del asiento en la página 10.

Ajuste del freno de mano

⚠ ADVERTENCIA

Nunca intente ajustar los frenos con el motor en marcha. Desenganche siempre la potencia de arranque (PTO), mueva la palanca de cambios a la posición neutral, apague el motor y retire la llave, para evitar que alguien encienda accidentalmente el motor.

Si el tractor no se detiene por completo cuando se presiona totalmente el pedal de freno, o si las ruedas traseras del tractor pueden rodar con el freno de mano colocado, el freno necesita ajustes. Consulte con su distribuidor de servicio autorizado para realizar un ajuste correcto de los frenos.

Extracción de la plataforma de corte

Para extraer la plataforma de corte, proceda de la siguiente manera:

1. Coloque la palanca de PTO en la posición desenganchada (SIN) y ponga el freno de mano.
2. Baje la plataforma colocando la palanca de elevación de la plataforma dentro de la muesca inferior del guardabarros derecho.

3. Retire la varilla del guardacorrea (a), alrededor de la polea del motor del tractor, sacando el tornillo autoroscante (b) que lo fija. Consulte la Figura 26.

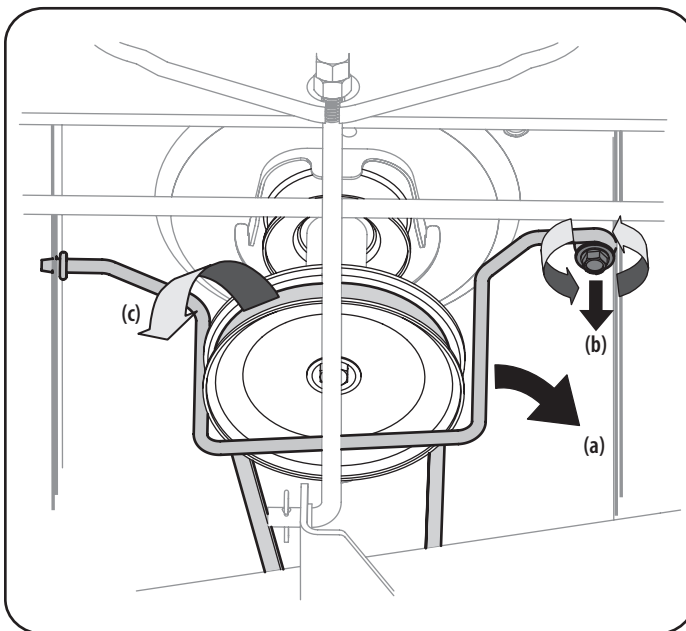


Figura 26

NOTA: Tome nota para cuando deba reinstalarla, en cuál orificio se inserta el otro extremo de la varilla guardacorrea.

4. Retire la correa (c) de alrededor de la polea del motor del tractor y de las poleas locas. Consulte la Figura 26.
5. Mirando la plataforma de corte desde el lado izquierdo del tractor, ubique el pasador de chaveta curvo (a) que sujeta la varilla de soporte de la plataforma (b) del lado posterior izquierdo de la plataforma. Consulte la Figura 27. Extraiga el pasador de chaveta curvo (a) que sujeta la varilla de soporte de la plataforma (b), y con cuidado saque el soporte de la plataforma del brazo de elevación de la plataforma.

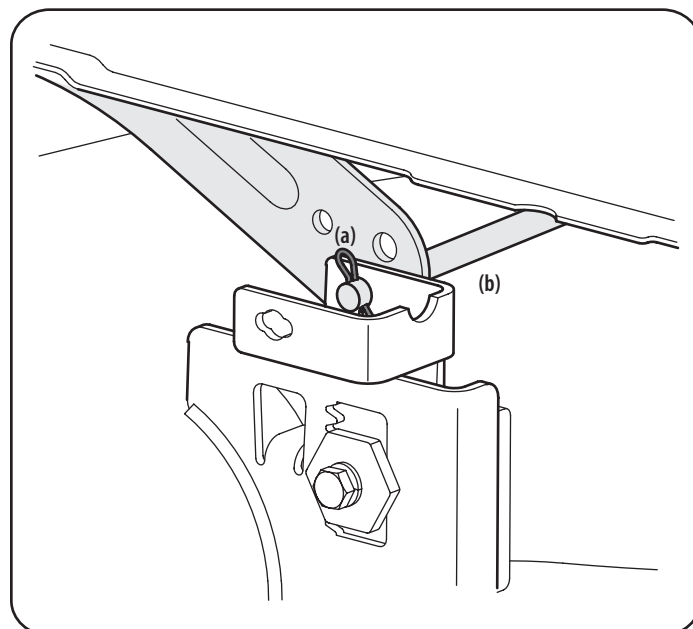


Figura 27

6. Repita el paso 5 del lado derecho del tractor.

SERVICIO Y MANTENIMIENTO

- Mueva la palanca de elevación de la plataforma dentro de la muesca superior del guardabarros derecho para levantar los brazos de elevación de la plataforma y sacarlos del camino.
- Extraiga el pasador de chaveta curvo (a) que sujeta la varilla estabilizadora (b) a la plataforma. Deslice la varilla de elevación de la plataforma lejos de la soldadura de montaje de la plataforma como se ve en la Figura 28.

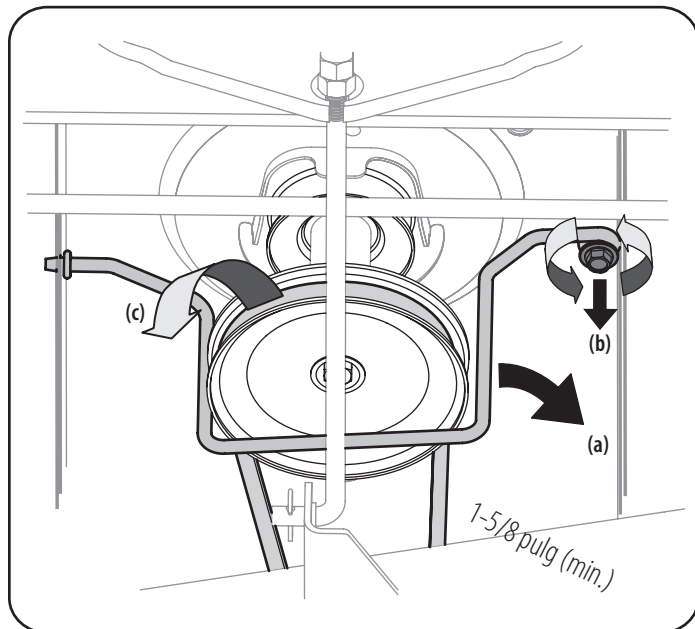


Figura 28

Extraiga con cuidado el cable de la PTO (a) de la parte posterior de la plataforma de corte retirando el clip curvo que lo sujeta. Retire el resorte (c) del soporte de polea loca de la plataforma. Consulte la Figura 29.

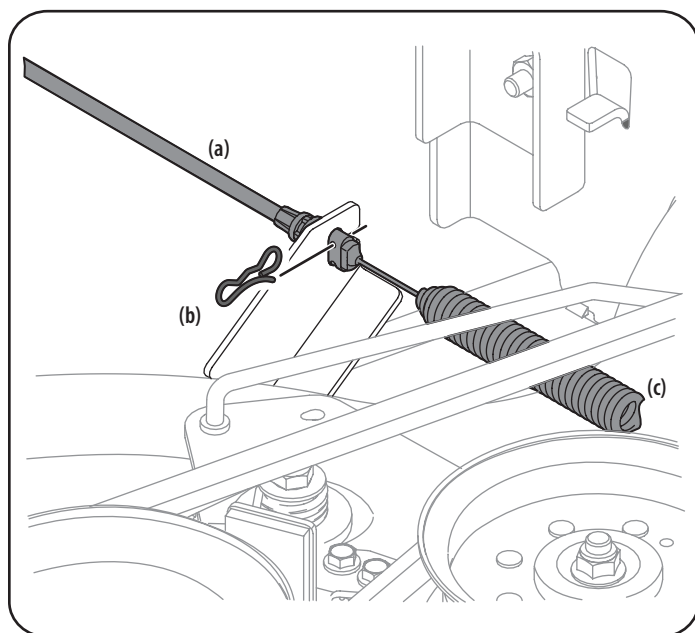


Figura 29

- Deslice suavemente la plataforma de corte (desde el lado izquierdo) hacia afuera desde la parte inferior del tractor.

Neumáticos

⚠ ADVERTENCIA

Nunca exceda la presión máxima de inflado que se indica en los laterales de los neumáticos.

La presión operativa recomendada para los neumáticos es:

- Aproximadamente 10 psi para los neumáticos traseros
- Aproximadamente 14 psi para los neumáticos delanteros

¡IMPORTANTE! Consulte los laterales de las ruedas para conocer con exactitud la presión máxima en psi recomendada por el fabricante. No los infle en exceso. Una presión de neumáticos despareja podría hacer que la plataforma no corte el césped parejo.

Cuchillas de corte

⚠ ADVERTENCIA

Apague el motor y extraiga la llave antes de retirar las cuchillas de corte para afilarlas o reemplazarlas. Proteja sus manos utilizando guantes reforzados cuando sujete las cuchillas.

⚠ ADVERTENCIA

Inspeccione periódicamente los husillos de las cuchillas para controlar si hay fisuras o daños, especialmente después de golpear un objeto extraño. Reemplace de inmediato si está dañado.

Las cuchillas se pueden sacar de la siguiente manera:

- Extraiga la plataforma de la parte inferior del tractor, (consulte la sección Extracción de la plataforma de corte en la página 22); luego voltee con delicadeza la plataforma para dejar al descubierto su parte inferior.
- Coloque un bloque de madera entre el deflector del alojamiento central de la plataforma y la cuchilla de corte para que actúe como estabilizador. Consulte la Figura 30.

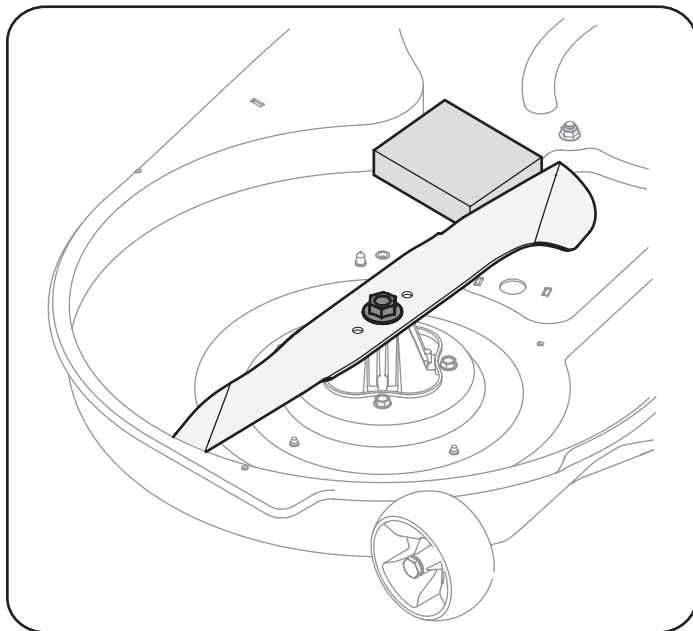


Figura 30

- Extraiga la tuerca de brida hexagonal que asegura la cuchilla al montaje del husillo. Consulte la Figura 30.

SERVICIO Y MANTENIMIENTO

4. Para afilar las cuchillas de corte correctamente, extraiga cantidades iguales de metal de ambos extremos de las cuchillas a lo largo de los bordes cortantes, paralelo al borde de caída, a un ángulo de 25° a 30°.

IMPORTANTE: Si el borde cortante de la cuchilla ya ha sido afilado hasta 1-3/8" del borde, o si existe una separación de metal, reemplace las cuchillas por otras nuevas. Consulte la Figura 31.

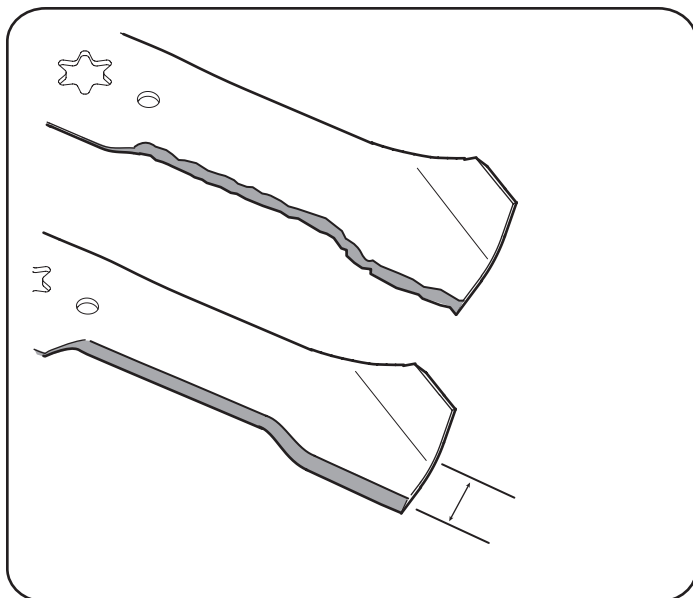


Figura 31

⚠ PRECAUCIÓN

Si el borde cortante de la cuchilla ha sido afilado previamente o si existe una separación de metal, reemplace las cuchillas por otras nuevas.

⚠ ADVERTENCIA

Una cuchilla mal equilibrada causará exceso de vibración y puede dañar el tractor y/o causar lesiones personales.

Pruebe el equilibrio de la cuchilla usando un compensador de cuchillas. Afile el metal del lado pesado hasta que quede bien equilibrada.

NOTA: Cuando reemplace la cuchilla, asegúrese de instalarla con el lado marcado "Bottom" (inferior) (o el lado que tiene un número de pieza estampado) mirando al piso cuando la cortadora de césped está en posición de operación.

⚠ PRECAUCIÓN

Utilice una llave de torsión para ajustar la tuerca de brida hexagonal del husillo de la cuchilla entre 70 pies-libras y 90 pies-libras.

Cambio de la correa de la plataforma

⚠ ADVERTENCIA

Recuerde apagar el motor, sacar la llave, desconectar los cables de las bujías y hacer masa contra el motor para evitar que se encienda accidentalmente antes de sacar la correa.

⚠ ADVERTENCIA

Todas las correas del tractor cortacésped se desgastan y se las debe cambiar si presentan signos de desgaste.

IMPORTANTE: Las correas en V del tractor están diseñadas especialmente para que se enganchen y desenganchen sin riesgos. El uso de una correa en V sustituta (que no sea del fabricante del equipo original) puede resultar peligroso si la misma no se desgrena completamente. Para una máquina que funcione correctamente, utilice correas aprobadas por la fábrica.

Para cambiar o reemplazar la correa de la plataforma de su tractor, proceda de la siguiente manera:

1. Extraiga la plataforma. Consulte Extracción de la plataforma de corte en la página 22.
2. Extraiga las cubiertas de la correa (a) retirando los tornillos con arandela hexagonales (b) que las sujetan a la plataforma. Consulte la Figura 32.

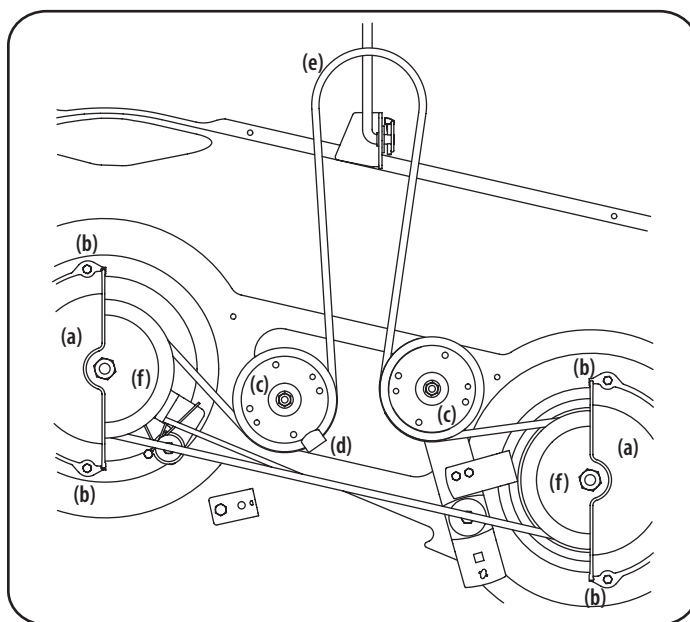


Figura 32

3. También podría ser necesario aflojar la tuerca hexagonal de la polea loca izquierda (c) para extraer la correa de la polea y de alrededor del protector de la correa (d).
4. Retire con cuidado la correa de la plataforma (e) de alrededor de las dos poleas del husillo (f) y las dos poleas locas (c) de la plataforma. Consulte la Figura 32.
5. Para colocar la correa nueva, comience pasando la correa alrededor de las dos poleas del husillo (f). Pase la correa alrededor de las dos poleas locas (c) de la plataforma. Vuelva a apretar la tuerca hexagonal de la polea loca izquierda aflojada en el paso 3. Vuelva a montar las cubiertas de la correa que se retiraron (a) en el paso 2. Consulte la Figura 32.
6. Reinstale la plataforma, comprobando que la correa se ha pasado alrededor de las poleas como se indica. Consulte la Figura 32.
7. Tire del lado derecho de la correa y coloque el lado V angosto de la correa en la polea de la PTO.
8. Mientras sostiene la correa y la polea juntas, rote la polea hacia la izquierda. Siga sosteniendo y rotando la polea y la correa hasta que la correa se enrolle totalmente en la polea de la PTO.

Cambio de la correa de transmisión

NOTA: Para cambiar la correa de transmisión del tractor, se deben retirar varios componentes y se necesitan herramientas especiales (es decir, llave de impacto/ aire). Solicite a un distribuidor Sears u otro distribuidor de servicio calificado para que le cambie la correa de transmisión.

ALMACENAMIENTO FUERA DE TEMPORADA

ADVERTENCIA

Nunca almacene tractor de césped con combustible en el tanque en un espacio cerrado o en áreas con poca ventilación, donde los gases del combustible puedan alcanzar el fuego, chispas o una luz piloto como la que tienen algunos hornos, calentadores de agua, secadores de ropa o algún otro dispositivo a gas.

Preparación del motor

IMPORTANTE: El combustible que queda en el tanque cuando hace calor se deteriora y ocasiona graves problemas de encendido.

Para evitar que se formen depósitos de goma dentro del carburador del motor y posibles desperfectos en el motor, el sistema de combustible debe ser vaciado completamente, o se debe tratar la gasolina con un estabilizador para evitar el deterioro.

1. Si utiliza un estabilizador de combustible:
 - a. Lea las instrucciones y recomendaciones del fabricante del producto.
 - b. Agregue la cantidad correcta de estabilizador para la capacidad del sistema de combustible a gasolina limpia y nueva.
 - c. Llene el depósito de combustible con combustible tratado y haga funcionar el motor 2-3 minutos para estabilizar el combustible dentro del carburador.
2. Cuando vacíe el sistema de combustible:
 - a. No drene el combustible cuando el motor está caliente. Permita que el motor se enfríe bien. Drene el combustible dentro de un recipiente aprobado y al aire libre, lejos de cualquier llama expuesta.
 - b. Drene un gran volumen de combustible desde el depósito, desconectando la línea de combustible del filtro de combustible en línea que se encuentra cerca del motor.

3. Extraiga la bujía y vierta una (1) onza de aceite para motor por el orificio de la bujía en el cilindro. Haga girar el motor varias veces para distribuir el aceite. Vuelva a colocar la bujía.

El drenaje de los combustibles

1. Localice el filtro de combustible, que se encuentra en el lado izquierdo del motor, y puede ser conectado al motor con una correa de empate.
2. Cortar la correa de la corbata, si está presente, entonces emergente en la abrazadera en línea en el filtro de combustible con un par de alicates, deslice la abrazadera de la línea de combustible.
3. Quite la línea de combustible en la línea y la fuga de combustible en un recipiente aprobado.

Preparación de la tractor de césped

1. Limpie y lubrique la tractor como se describe en las instrucciones de lubricación.
2. No utilice una lavadora a presión ni una manguera de jardín para limpiar su unidad.
3. Almacene la tractor en una zona limpia y seca. No la almacene cerca de materiales corrosivos como por ejemplo fertilizantes.

ADVERTENCIA

La gasolina es sumamente inflamable y puede ser explosiva en ciertas condiciones. Vacíe la antes de almacenar el equipo durante períodos prolongados. Drene el combustible únicamente dentro de un recipiente aprobado y al aire libre, lejos de cualquier llama expuesta. Deje que el motor se enfríe. Antes de drenar el combustible, apague cigarrillos, cigarros, pipas y otras fuentes de combustión. Vacíe la gasolina en un área bien ventilada, lejos de cualquier fuente de llama o chispas, incluido cualquier artefacto con luz piloto. Almacene la gasolina en un recipiente aprobado, en un lugar seguro.

- c. Vuelva a conectar la línea de combustible y haga funcionar el motor hasta que comience a fallar, use entonces el cebador para mantener el motor en marcha hasta agotar todo el combustible del carburador.
- d. Vuelva a desconectar la línea de combustible y drene la gasolina restante en el sistema.

ADVERTENCIA

La gasolina es una sustancia tóxica. Elimine la gasolina adecuadamente. Comuníquese con las autoridades locales para averiguar cuáles son los métodos adecuados para eliminar la gasolina.

SOLUCIÓN DE PROBLEMAS

Problema	Causa	Solución
El motor no arranca	<ol style="list-style-type: none"> 1. Palanca de potencia de arranque (PTO) / enganche de cuchilla conectada. 2. No está colocado el freno de mano. 3. Se han desconectado los cables de la bujía. 4. La palanca de control del acelerador/cebador no está en la posición de arranque correcta. 5. No se ha activado el cebador 6. El tanque de combustible está vacío o el combustible se ha echado a perder. 7. La línea del combustible está bloqueada. 8. Las bujías no funcionan correctamente. 9. Motor ahogado. 10. Fusibles quemados 	<ol style="list-style-type: none"> 1. Coloque la palanca en posición de APAGADO. 2. Ponga el freno de mano. 3. Conecte los cables a las bujías. 4. Coloque la palanca del acelerador/cebador en la posición RÁPIDA. 5. Mueva la palanca del acelerador/cebador a la posición CEBADOR. 6. Llene el depósito con gasolina limpia y nueva (de menos de 30 días). 7. Reemplace la línea de combustible y el filtro de combustible. 8. Limpie, ajuste la separación o cambie las bujías. 9. Arranque el motor con el acelerador en posición RÁPIDA. 10. Reemplace los fusibles. Consulte "Fusibles" en la sección Servicio y Mantenimiento.
El motor funciona de manera errática	<ol style="list-style-type: none"> 1. La unidad está funcionando con el CEBADOR activado. 2. Se han aflojado los cables de la bujía. 3. La línea del combustible está tapada o el combustible se ha echado a perder. 4. La ventilación en la tapa del combustible está obstruida. 5. Hay agua o suciedad en el sistema de combustible. 6. El depurador de aire está sucio. 	<ol style="list-style-type: none"> 1. Desactive el CEBADOR. 2. Conecte los cables de las bujías. 3. Reemplace la línea de combustible; llene el tanque con gasolina limpia y nueva y reemplace el filtro de combustible. 4. Destape la ventilación o reemplace la tapa si está dañada. 5. Vacíe el tanque de combustible. Recargue el tanque con gasolina limpia y nueva. 6. Reemplace el elemento de papel del depurador de aire o limpie el depurador de espuma, si está equipado.
El motor recalienta	<ol style="list-style-type: none"> 1. El nivel de aceite del motor está bajo. 2. Restricción en el flujo de aire. 	<ol style="list-style-type: none"> 1. Llene el cárter con la cantidad y el peso de aceite adecuados. 2. Elimine los recortes de césped y los desechos de alrededor de las aletas de enfriamiento del motor y la carcasa.
El motor vacila a altas revoluciones	<ol style="list-style-type: none"> 1. La separación de la bujía es muy pequeña. 	<ol style="list-style-type: none"> 1. Retire la bujía y reajuste la separación.
El motor funciona con dificultad en ralentí	<ol style="list-style-type: none"> 1. Bujía sucia, averiada o exceso de separación. 2. El depurador de aire está sucio. 	<ol style="list-style-type: none"> 1. Reemplace la bujía. Ajuste la separación de la bujía. 2. Reemplace el elemento del filtro de aire y/o limpie el depurador.
Excesiva vibración	<ol style="list-style-type: none"> 1. Cuchilla de corte floja o descentrada. 2. Cuchilla dañada o doblada. 	<ol style="list-style-type: none"> 1. Apriete la cuchilla y el husillo. 2. Reemplace la cuchilla.
La cortadora de césped no procesa los recortes como abono	<ol style="list-style-type: none"> 1. La velocidad del motor es demasiado lenta. 2. Pasto mojado. 3. Pasto demasiado alto. 4. Cuchilla desafilada. 	<ol style="list-style-type: none"> 1. Coloque el control del acelerador en la posición RÁPIDA (liebre) 2. No procese abono cuando el pasto está mojado. 3. Corte una vez con altura de corte elevada y luego vuelva a cortar el césped a la altura deseada, o haga una pasada de corte más angosta. 4. Afile o cambie la cuchilla.
Corte irregular	<ol style="list-style-type: none"> 1. La plataforma no está correctamente nivelada. 2. Cuchilla desafilada. 3. Presión de neumáticos desigual. 	<ol style="list-style-type: none"> 1. Haga un ajuste de la plataforma de lado a lado. 2. Afile o cambie la cuchilla. 3. Verifique la presión de los cuatro neumáticos.

Free Manuals Download Website

<http://myh66.com>

<http://usermanuals.us>

<http://www.somanuals.com>

<http://www.4manuals.cc>

<http://www.manual-lib.com>

<http://www.404manual.com>

<http://www.luxmanual.com>

<http://aubethermostatmanual.com>

Golf course search by state

<http://golfingnear.com>

Email search by domain

<http://emailbydomain.com>

Auto manuals search

<http://auto.somanuals.com>

TV manuals search

<http://tv.somanuals.com>