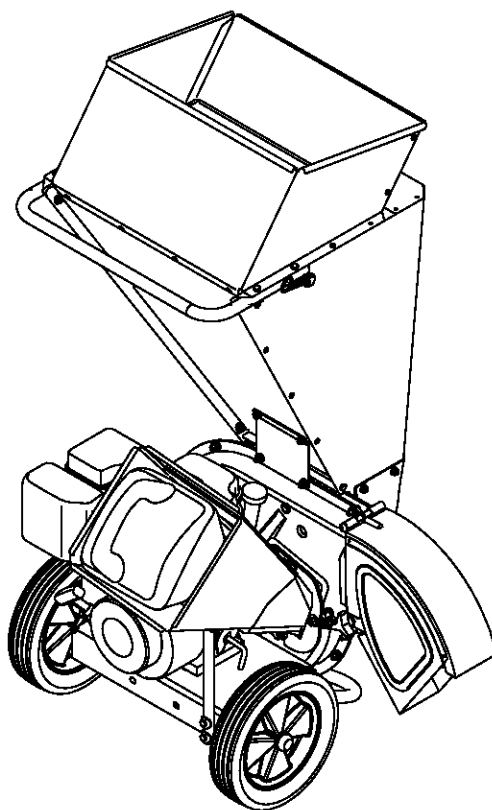


# Operator's Manual



## 7.5 Horse Power CHIPPER SHREDDER Model No. 247.776350



**CAUTION:** Before using this product, read this manual and follow all safety rules and operating instructions.

- Safety
- Operation
- Maintenance
- Storage
- Español, p. 29

For answers to your questions about this product, call:

**1-800-659-5917**

Sears Craftsman Help Line  
(5 am. - 5 pm., Mon. - Sat.)

**Sears, Roebuck And Co., Hoffman Estates, IL 60179 U.S.A.**

Visit our website: [www.sears.com/craftsman](http://www.sears.com/craftsman)

Printed in U.S.A.

FORM NO. 769-00831  
(7/2003)

# TABLE OF CONTENTS

Content	Page	Content	Page
Warranty	2	Service and Adjustments	15
Safety	3	Storage	17
Assembly	6	Troubleshooting	18
Operation	8	Parts List	20
Maintenance	13		

## WARRANTY

### Limited Warranty on Craftsman Chipper Shredder

For one (1) year from the date of purchase, if this Craftsman Equipment is maintained, lubricated, and tuned up according to the instructions to the operator's manual, Sears will repair or replace free of charge any parts found to be defective in material or workmanship. Warranty service is available free of charge by returning Craftsman equipment to your nearest Sears Service Center. In-home warranty service is available but a trip charge will apply. This Warranty applies only while this product is in the United States.

**This Warranty does not cover:**

- Expendable items which become worn during normal use, such as spark plugs, air cleaners, belts, and oil filters.
- Tire replacement or repair caused by punctures from outside objects, such as nails, thorns, stumps, or glass.
- Repairs necessary because of operator abuse, including but not limited to, damage caused by objects, such as stones or metal debris, oversized stock, impacting objects that bend the frame or crankshaft, or over-speeding the engine.
- Repairs necessary because of operator negligence, including but not limited to, electrical and mechanical damage caused by improper storage, failure to use the proper grade and amount of engine oil, or failure to maintain the equipment according to the instructions contained in the operator's manual.
- Engine (fuel system) cleaning or repairs caused by fuel determine to be contaminated or oxidized (stale). In general, fuel should be used **within 30 days** of its purchase date.
- Equipment used for commercial or rental purposes.

TO LOCATE THE NEAREST SEARS SERVICE CENTER OR TO SCHEDULE SERVICE, CONTACT SEARS AT **1-800-4-MY-HOME®**.

This warranty gives you specific legal rights and you may also have other rights, which vary from state to state.

PRODUCT SPECIFICATION		
Horsepower:	7.5 Horse Power	Model Number..... <b>247.776350</b>
Engine Oil Type	SAE 30	Serial Number.....
Engine Oil Capacity	20 Ounces	Date of Purchase.....
Fuel Capacity:	3 Quarts	Record both serial number and date of purchase and keep in a safe place for future reference.
Spark Plug	Champion QC-12YC	
Spark Plug Gap	.030"	

# SAFETY



**WARNING:** This symbol points out important safety instructions which, if not followed, could endanger the personal safety and/or property of yourself and others. Read and follow all instructions in this manual before attempting to operate this machine. Failure to comply with these instructions may result in personal injury. When you see this symbol - **heed its warning.**

**WARNING:** Engine Exhaust, some of its constituents, and certain vehicle components contain or emit chemicals known to State of California to cause cancer and birth defects or other reproductive harm.

**DANGER:** This machine was built to be operated according to the rules for safe operation in this manual. As with any type of power equipment, carelessness or error on the part of the operator can result in serious injury. This machine is capable of amputating hands and feet and throwing objects. Failure to observe the following safety instructions could result in serious injury or death.

## TRAINING

1. Read, understand, and follow all instructions on the machine and in the manual(s) before attempting to assemble and operate. Keep this manual in a safe place for future and regular reference and for ordering replacement parts.
2. Be familiar with all controls and their proper operation. Know how to stop the machine and disengage them quickly.
3. Never allow children under 16 years old to operate this machine. Children 16 years old and over should read and understand the operation instructions and safety rules in this manual and should be trained and supervised by a parent.
4. Never allow adults to operate this machine without proper instruction.
5. Keep bystanders, helpers, pets, and children at least 75 feet from the machine while it is in operation. Stop machine if anyone enters the area.
6. Never run an engine indoors or in a poorly ventilated area. Engine exhaust contains carbon monoxide, an odorless and deadly gas.
7. Do not put hands and feet near rotating parts or in the feeding chambers and discharge opening. Contact with the rotating impeller can amputate fingers, hands, and feet.
8. Never attempt to unclog the chipper chute or discharge opening, remove or empty bag, or inspect and repair the machine while the engine is running. Shut the engine off and wait until all moving parts have come to a complete stop. Disconnect spark plug wire and keep away from spark plug.

## PREPARATION

1. Thoroughly inspect the area where the equipment is to be used. Remove all rocks, bottles, cans, or other foreign objects which could be picked up or thrown and cause personal injury or damage to the machine.
2. Always wear safety glasses or safety goggles during operation or while performing an adjustment or repair, to protect eyes. Thrown objects which ricochet can cause serious injury to the eyes.
3. Wear sturdy, rough-soled work shoes and close-fitting slacks and shirts. Loose fitting clothes or jewelry can be caught in movable parts. Never operate this machine in bare feet or sandals. Wear leather work gloves when feeding material in the chipper chute.
4. Before starting, check all bolts and screws for proper tightness to be sure the machine is in safe working condition. Also, visually inspect machine for any damage at frequent intervals.
5. To avoid personal injury or property damage use extreme care in handling gasoline. Gasoline is extremely flammable and the vapors are explosive. Serious personal injury can occur when gasoline is spilled on yourself or your clothes which can ignite. Wash your skin and change clothes immediately.
  - a. Use only an approved gasoline container.
  - b. Extinguish all cigarettes, cigars, pipes, and other sources of ignition.
  - c. Never fuel machine indoors.
  - d. Never remove gas cap or add fuel while the engine is hot or running.
  - e. Allow engine to cool at least two minutes before refueling.
  - f. Never over fill fuel tank. Fill tank to no more than 1/2 inch below bottom of filler neck to provide space for fuel expansion.

- g. Replace gasoline cap and tighten securely.
  - h. If gasoline is spilled, wipe it off the engine and equipment. Move machine to another area. Wait 5 minutes before starting the engine.
  - i. Never store the machine or fuel container inside where there is an open flame, spark, or pilot light (e.g. furnace, water heater, space heater, clothes dryer, etc.)
  - j. To reduce a fire hazard, keep machine free of grass, leaves, or other debris build-up. Clean up oil or fuel spillage and remove any fuel soaked debris.
  - k. Allow machine to cool at least 5 minutes before storing.
- 9. Never operate without the shredder hopper, chipper chute, or discharge chute properly attached to the machine. Never install or remove debris collection bag while the engine is running.
  - 10. Keep all guards, deflectors and safety devices in place and operating properly.
  - 11. Keep your face and body back and to the side of the chipper chute while feeding material into the machine to avoid accidental kickback injuries.
  - 12. Never operate this machine without good visibility or light.
  - 13. Do not operate this machine on a paved, gravel or non-level surface.
  - 14. Do not operate this machine while under the influence of alcohol or drugs.
  - 15. Muffler and engine become hot and can cause a burn. Do not touch.
  - 16. Never pick up or carry machine while the engine is running.

## OPERATION

1. Do not put hands and feet near rotating parts or in the feeding chambers and discharge opening. Contact with the rotating impeller can amputate fingers, hands, and feet.
2. Before starting the machine, make sure the chipper chute, feed intake, and cutting chamber are empty and free of all debris.
3. Thoroughly inspect all material to be shredded and remove any metal, rocks, bottles, cans, or other foreign objects which could cause personal injury or damage to the machine.
4. If it becomes necessary to push material through the shredder hopper, use a small diameter stick. Do not use your hands or feet.
5. If the impeller strikes a foreign object or if your machine should start making an unusual noise or vibration, immediately shut the engine off. Allow the impeller to come to a complete stop. Disconnect spark plug wire and keep away from spark plug. Perform the following steps:
  - a. Inspect for damage.
  - b. Repair or replace any damaged parts.
  - c. Check for any loose parts and tighten to assure continued safe operation.
6. Do not allow an accumulation of processed material to build up in the reduction chamber. This can prevent proper discharge and result in kickback of material through the feed opening.
7. Do not attempt to shred or chip material larger than specified on the machine or in this manual. Personal injury or machine damage could result.
8. Never attempt to unclog the chipper chute or discharge opening while the engine is running. Shut the engine off, wait until all moving parts have stopped, disconnect spark plug wire and keep away from spark plug before clearing debris.

## MAINTENANCE AND STORAGE

1. Never tamper with safety devices. Check their proper operation regularly.
2. Check bolts and screws for proper tightness at frequent intervals to keep the machine in safe working condition. Also, visually inspect machine for any damage and repair, if needed.
3. Before cleaning, repairing, or inspecting, stop the engine and make certain the impeller and all moving parts have stopped. Disconnect spark plug wire and keep away from spark plug to prevent unintended starting.
4. Do not change the engine governor settings or overspeed the engine. The governor controls the maximum safe operating speed of the engine.
5. Maintain or replace safety and instruction labels, as necessary.
6. Follow this manual for safe loading, unloading, transporting, and storage of this machine.
7. Never store the machine or fuel container inside where there is an open flame, spark or pilot light such as a water heater, furnace, clothes dryer, etc.
8. Always refer to the operator's manual for proper instructions on off-season storage.
9. If the fuel tank has to be drained, do this outdoors.
10. Observe proper disposal laws and regulations for gas, oil, etc. to protect the environment.



**WARNING:** - YOUR RESPONSIBILITY: Restrict the use of this power machine to persons who read, understand and follow the warnings and instructions in this manual and on the machine.

## Look For Relevant Emissions Durability Period and Air Index Information On Your Engine Emissions Label

Engines that are certified to meet the California Air Resources Board (CARB) Tier 2 Emission Standards must display information regarding the Emissions Durability Period and the Air Index. Sears, Roebuck and Co., U.S.A. makes this information available to the consumer on our emission labels.

The **Emissions Durability Period** describes the number of hours of actual running time for which the engine is certified to be emissions compliant, assuming proper maintenance in accordance with the Operating & Maintenance Instructions. The following categories are used:

**Moderate:** Engine is certified to be emission compliant for 125 hours of actual engine running time.

**Intermediate:** Engine is certified to be emission compliant for 250 hours of actual engine running time.

**Extended:** Engine is certified to be emission compliant for 500 hours of actual engine running time.

For example, a typical walk-behind lawn mower is used 20 to 25 hours per year. Therefore, the **Emissions Durability Period** of an engine with an **intermediate** rating would equate to 10 to 12 years.

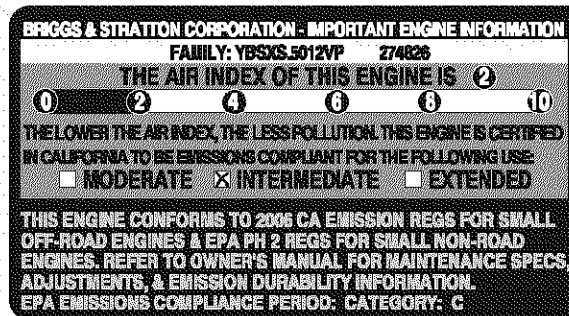
The **Air Index** is a calculated number describing the relative level of emissions for a specific engine family. The lower the **Air Index**, the cleaner the engine. This information is displayed in graphical form on the emissions label.

## After July 1, 2000, Look For Emissions Compliance Period On Engine Emissions Compliance Label

After July 1, 2000 certain Sears, Roebuck and Co., U.S.A. engines will be certified to meet the United States Environmental Protection Agency (USEPA) Phase 2 emission standards. For Phase 2 certified engines, the Emissions Compliance Period referred to on the Emissions Compliance label indicates the number of operating hours for which the engine has been shown to meet Federal emission requirements. For engines less than 225 cc displacement, Category C = 125 hours, B = 250 hours and A = 500 hours. For engines of 225 cc or more, Category C = 250 hours, B = 500 hours and A = 1000 hours.

The displacement engines of Model Series 120000 is 206 cc.

**This is a generic representation of the emission label typically found on a certified engine.**



# ASSEMBLY

**IMPORTANT:** This unit is shipped **without gasoline or oil in the engine.** After assembly, see **OPERATION** section of this manual for proper fuel and engine oil fill-up.

This Chipper Shredder has been completely assembled at the factory, except for the debris collection bag, which is stowed in the chipper chute for shipping.

## Removing Unit From Carton

- Remove staples, break glue on top flaps or cut tape at carton end and peel along top flap to open carton.
- Remove any loose parts.
- Cut down along carton edges and lay carton down flat.
- Remove packing material. Lift unit from the rear and discard bottom pad. Roll unit out of carton. Check carton thoroughly for loose parts.

## Loose Parts In Carton (See Figure 1)

- One Tamper
- One Debris Collection Bag (Not Shown)
- One Pair of Safety Glasses (Not Shown)
- One 20-oz. Bottle of Engine Oil
- One Operator's Manual

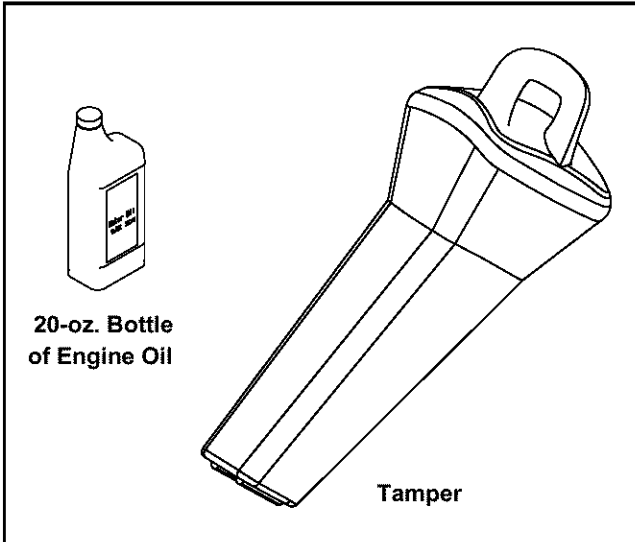


Figure 1

## Lowering the Chipper Chute



**WARNING:** Never operate the chipper shredder without chipper chute lowered into the operating position.

For shipping reasons, the unit is cartoned with its chipper chute in a raised position. To pivot it downward, into the operating position, proceed as follows:

- Pull the spring latch upward and gently pivot the chipper chute down until it clicks into the lock rod. See Figure 2.

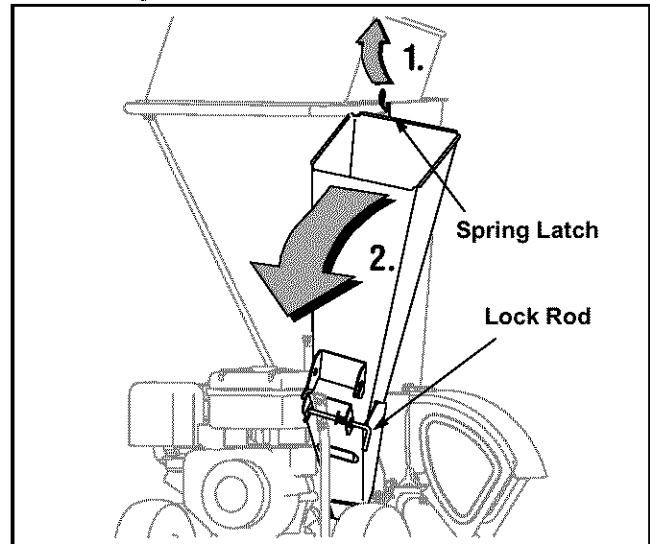


Figure 2

## Raising the Chipper Chute



**WARNING:** Never operate the chipper shredder without chipper chute lowered into the operating position.

For convenience when storing, the chipper chute can be pivoted upward. To do so, proceed as follows:

- Pull the lock rod outward and pivot the chipper chute upward until it clicks into the spring latch. See Figure 3.

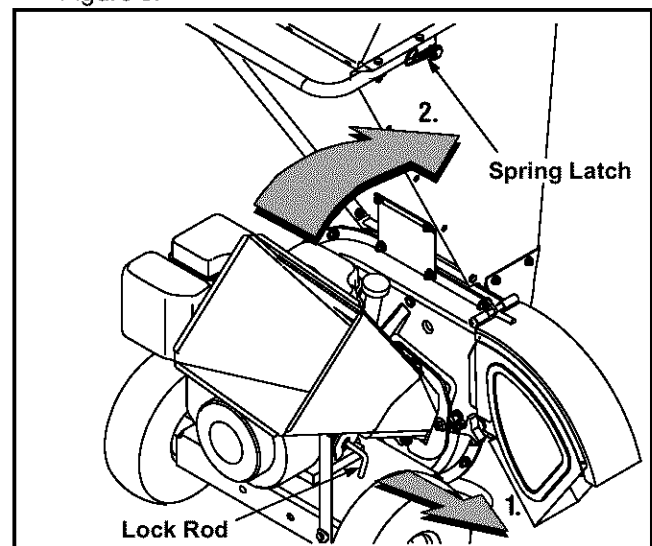


Figure 3

## Attaching The Debris Collection Bag

- To attach the bag, place the opening of the bag completely over the discharge chute.
- Position the bag so that the wing knobs which secure the discharge chute to the housing are completely covered.
- Pull on the drawstrap until the bag is tight around discharge chute. See Figure 4.

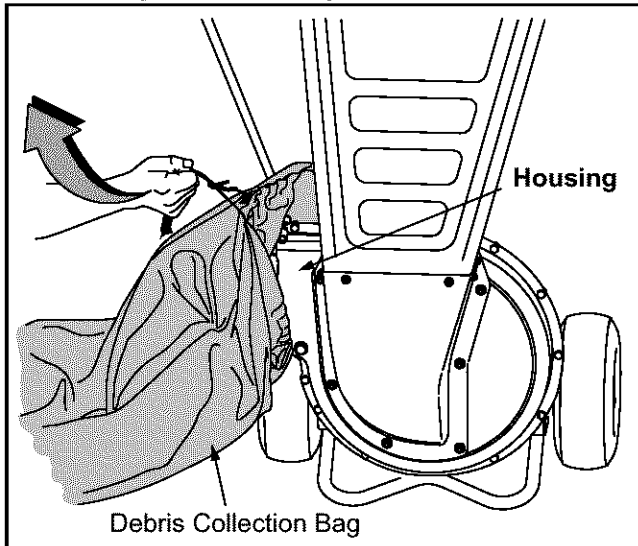


Figure 4

## Emptying the Debris Collection Bag

- Squeeze the locking buckle to release the bag's drawstrap before loosening it from the discharge chute. See Figure 5
- Empty the bag and reattach to the discharge chute opening. Refer to Figure 4.

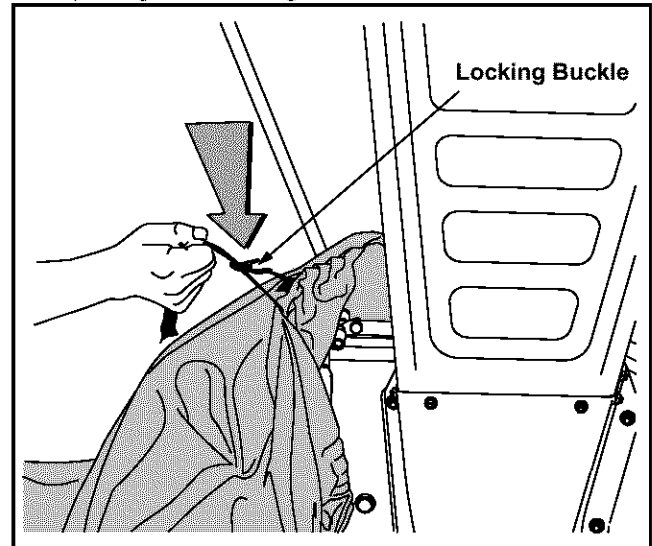


Figure 5

# OPERATION

## Know Your Chipper Shredder



Read this operator's manual and safety rules before operating your Chipper Shredder. Compare the illustrations below with your equipment to familiarize yourself with the location of various controls and adjustments. Save this manual for future reference.

The operation of any Chipper Shredder can result in foreign objects being thrown into the eyes, which can result in severe eye damage. **Always wear safety glasses**, provided with the Chipper Shredder, while operating this equipment or while performing any adjustments or repairs on it.

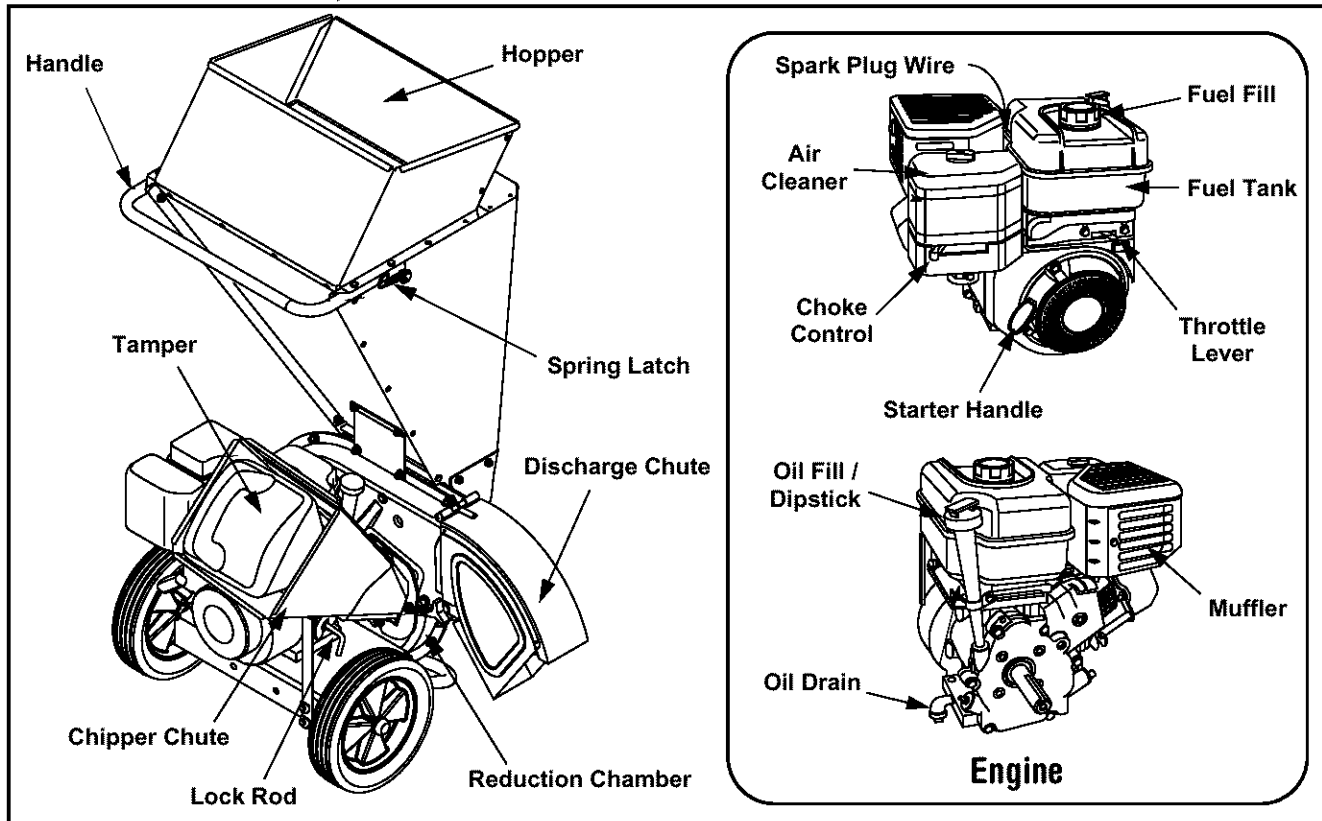


Figure 6

### Operating Controls (See Figure 6)

#### Spring Latch

The spring latch is located on the top of the hopper. It is used to secure the chipper chute in a raised position for storage or for transporting.

#### Handle

Use the handle when transporting the chipper shredder.

#### Chipper Chute

Branches up to 3" in diameter may be fed into the chipper chute for chipping.



**WARNING:** Never operate the chipper shredder with the chipper chute in the raised position. Release the spring latch to lower the chipper chute into the operating position before starting the engine.

#### Lock Rod

The lock rod is located on the chipper chute support. It is used to release or lock the chipper chute in a lowered position for operation.

### Meets ANSI safety standards

Craftsman Chipper Shredders conform to the safety standard of the American National Standards Institute (ANSI).



### Tamper

Use the tamper to assist in feeding branches into the chipper chute.

### Hopper

Leaves, twigs and **branches up to 1/2-inch in diameter** may be placed into the hopper for shredding.

**IMPORTANT:** Never place branches with a diameter greater than 1/2-inch in the hopper. Doing so can result in serious damage to your unit's shredder blade, flails or impeller.

### Engine

**NOTE:** *In the state of California, the 110000 series engines covered in this manual are certified by the California Air Resources Board to meet emissions standards for 250 hours. Such certification does not grant the purchaser, owner or operator of this engine any additional warranties with respect to the performance or operational life of this engine. This engine is warranted solely according to the product and emissions warranties stated elsewhere in this manual.*

Bore 2-11/16 in. (68 mm)

Stroke 2-13/64 in. (56 mm)

Displacement 12.48 cu. in. (206 cc)

**IMPORTANT:** For practical operation, the horsepower loading should not exceed 85% of rated horsepower. Engine power will decrease 3-1/2% for each 1,000 feet (300 meters) above sea level and 1% for each 10° F (5.6° C) above 77° F (25° C). Engine will operate satisfactorily at an angle up to 15 degrees.

### Throttle Lever

The throttle lever controls the engine speed and stop function.

### Choke Control

The choke control closes the choke plate on the carburetor and aids in starting a cold engine.

### Starter Handle

The starter handle is located on the engine. Pull the starter handle to start engine.

## Stopping Engine

- Move throttle control lever to STOP position. See Figure 7.

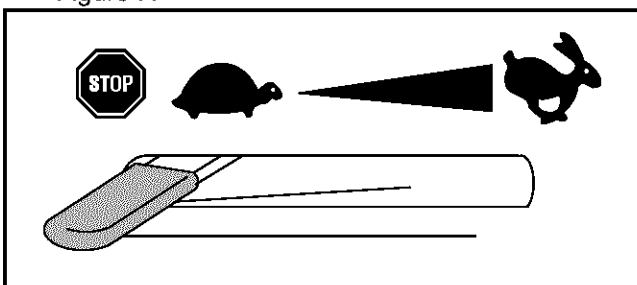


Figure 7



**WARNING:** When moving throttle control lever, be careful of heated surfaces on muffler guard.



**CAUTION:** Never stop the engine by moving the choke lever into the CHOKE position. Backfire, fire or engine damage could result.

## Gas And Oil Fill-up

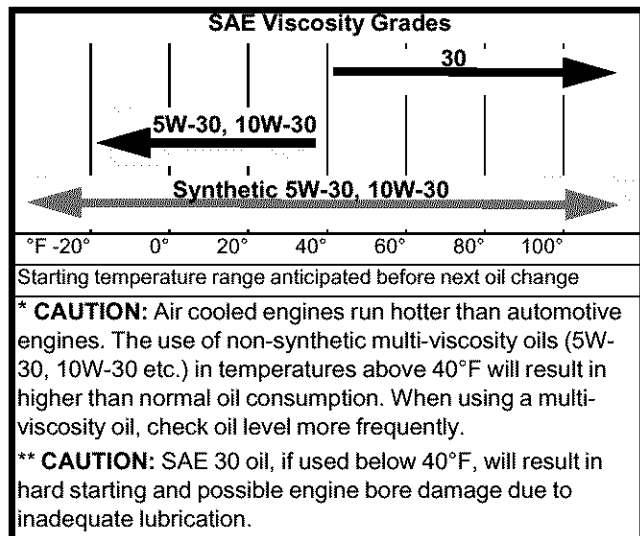
### Oil (one 20-oz. bottle included)

**IMPORTANT:** The chipper shredder is shipped **without oil in the engine.**

#### Type of Oil

1. Refer to the chart below for proper grade of oil.
2. Use a high quality detergent oil classified "For service SF, SG,SH, SJ" or higher.
3. Do not use special additives.

*Synthetic oil meeting ILSAC GF-2, API certification and API service symbol with "SJ/CF Energy Conserving" or higher is an acceptable oil at all temperatures. Use of synthetic oil does not alter required oil change intervals.*



- Remove oil fill dipstick.
- With the Chipper Shredder on level ground, use a funnel to fill engine with oil to FULL mark on dipstick. Capacity is 20 oz. (0.6 liter). **Be careful not to overfill.** Overfilling will cause the engine to smoke profusely and will result in poor engine performance. The oil bottle packaged with your Chipper Shredder contains 20 oz. of oil.
- Before operating the chipper shredder, check the oil level as follows:
- Wipe the dipstick with a clean cloth and reinsert it in the oil fill tube.

- Tighten the dipstick before removing it and check the oil fill level. See Figure 8.

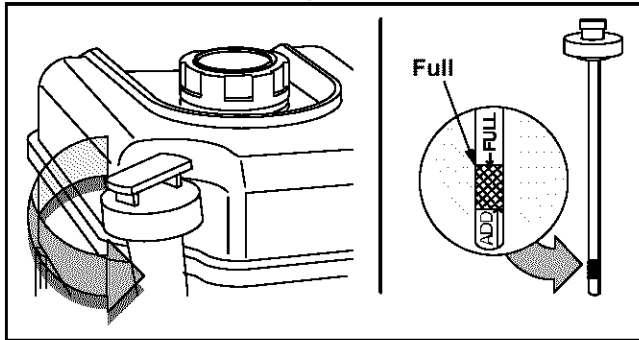


Figure 8

**NOTE:** Do not allow the dipstick to rub along the inside walls of the oil fill tube when removing it. Doing so may result in a false dipstick reading.

- Check oil level three times prior to starting engine to be certain you've gotten an accurate dipstick reading.

**IMPORTANT:** Running the engine with too little oil can result in permanent engine damage.

## Gasoline

### Type of Fuel

- Use clean, fresh, regular unleaded gasoline with a minimum of 85 octane. Fresh fuel prevents gum from forming in the fuel system or on essential carburetor parts. Purchase fuel in quantity that can be used within 30 days.
- Do not use gasoline which contains Methanol.
- Do not mix oil with gasoline.
- Your chipper shredder's engine is certified to operate on gasoline. Exhaust Emission Control System: EM (Engine Modifications).

**NOTE:** Some fuels, called oxygenated or reformulated gasoline, are gasoline blended with alcohols or ethers. Excessive amounts of these blends can damage the fuel system or cause performance problems. If any undesirable operating symptoms occur, use gasoline with a lower percentage of alcohol or ether.

### Fuel Fill-up

- Remove fuel cap from the fuel tank.
- Make sure the container from which you will pour the gasoline is clean and free from rust or foreign particles. Never use gasoline that may be stale from long periods of storage in its container. Gasoline that has been sitting for any period longer than four weeks is considered stale.
- The fuel tank has a capacity of three (3) quarts. Fill fuel tank with clean, fresh, unleaded regular, unleaded premium or reformulated automotive gasoline only.
- Replace fuel cap.

- To avoid engine problems, the fuel system should be emptied before storage for 30 days or longer. Drain the gas tank, start the engine and let it run until the fuel lines and carburetor are empty. Use fresh fuel next season. See **STORAGE** section for additional information.



**WARNING:** Use extreme care when handling gasoline. Gasoline is extremely flammable and the vapors are explosive. Never fuel machine indoors or while the engine is hot or running. Extinguish cigarettes, cigars, pipes, and other sources of ignition.

Check the fuel level periodically to avoid running out of gasoline while operating the chipper shredder. If the unit runs out of gas while operating, it may be necessary to unclog the unit before it can be restarted. Refer to **SERVICE AND ADJUSTMENT** section.

## Starting Engine



**WARNING:** The muffler and surrounding area will be hot if the engine has been running. Use caution and protect your hands if working near the muffler.

- If not already attached, attach spark plug wire to spark plug. Make certain the rubber boot on the end of the spark plug is snapped securely over the metal tip on the spark plug. Refer to Figure 9 for spark plug wire location.

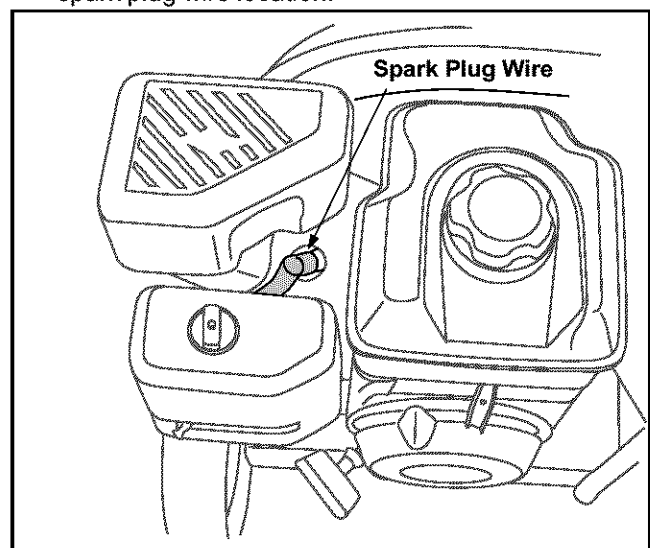


Figure 9

- Move choke lever to CHOKE position. (A warm engine may not require choking). See Figure 10.

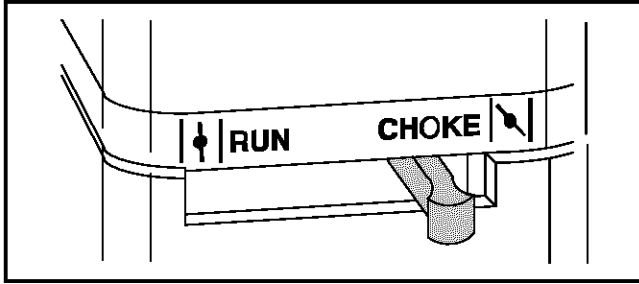


Figure 10

- Move throttle control lever to FAST (rabbit) position. See Figure 11.

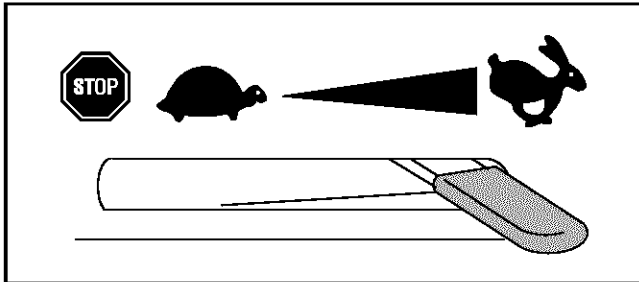


Figure 11

- Grasp the starter handle and pull the rope out slowly until resistance is felt. When it becomes slightly harder to pull the rope, slowly allow the rope to recoil. Then pull rope with a rapid, continuous, full arm stroke. Keep a firm grip on starter handle.
- Repeat the previous steps until engine starts. When engine starts, move choke control gradually toward the RUN position until the engine is running smoothly.

**NOTE:** A “clanky” noise may be heard when pulling the starter rope. It is completely normal and does NOT indicate a malfunction of any kind. The noise is caused by the flails (part of the shredding mechanism) pivoting on the chipper shredder’s impeller as it rotates.

- Allow the rope to recoil slowly.



**WARNING:** Never run the engine indoors or in a poorly ventilated area. Engine exhaust contains carbon monoxide, an odorless and deadly gas.

## Shredding

Yard waste such as leaves and pine needles can be placed in the hopper for shredding. After material has been processed by the shredder blade and flails, it will be forced out of the discharge chute, and, if attached, into a debris collection bag. Observe the following guidelines when shredding yard debris:

- Never attempt to shred material other than normal yard debris (leaves, twigs, pine cones, etc.).

- Avoid shredding fibrous plants such as tomato vines until they are thoroughly dried out. Fresh vines do not shred well and tend to wrap themselves around the impeller and flails.
- Place reasonable amounts of debris into the hopper at a time. Do not overload the hopper.
- Allow the material in the hopper to be drawn into the blades and shredded before adding additional debris to the hopper. Failure to do so may result in a clogged hopper, clogged discharge chute or a stalled engine.
- Avoid placing twigs longer than 24 inches into the hopper. Twigs longer than 24 inches may result in a clogged hopper.

**IMPORTANT:** Never place branches with a diameter greater than 1/2-inch in the hopper. Doing so can result in serious damage to your unit’s shredder blade, flails or impeller.

## Clearing the Hopper

Should the hopper become clogged with debris during operation, proceed as follows:

- Grasp the handle with both hands and gently agitate the chipper shredder to help loosen debris, drawing it into the impeller.

If the clog does not clear, proceed as follows:

- Stop engine.
- Use your hands to remove any debris found near the top of the hopper .
- Use a branch (or other available device, i.e. broomstick) to dislodge debris located toward the base of the hopper.
- Restart engine.

**NOTE:** If you’re unable to pull the starter rope as a result of accumulated debris near the impeller, follow instructions under the heading **Cleaning the Reduction Chamber**.

## Chipping



**WARNING:** Never operate the chipper shredder without chipper chute lowered into the operating position.

Branches up to 3" in diameter can be fed into the chipper chute. See Figure 6. Observe the following guidelines when chipping branches:

- Keep both hands firmly on the branch as you feed it into the chipper chute.
- Never feed more than one branch into the chipper chute at a time.
- Never feed anything other than branches (or wood) into the chipper chute.
- Use the tamper to assist in feeding branches into the chipper chute.
- Apply intermittent pressure (force, in short pulses) while feeding larger (2- 3-inch diameter) branches into the chipper chute, to avoid bogging or stalling the engine.

**IMPORTANT:** Never feed branches with a diameter greater than three (3) inches into the chipper chute. Doing so can result in serious damage to your unit's chipper blades, flails or impeller.

**NOTE:** For best performance, always operate the unit with sharp chipper blades. If a noticeable loss in performance is encountered while chipping branches, the chipper blades should be replaced.

## Cleaning the Reduction Chamber



**WARNING:** The impeller's shredder blade and chipper blades are sharp. Wear leather work gloves to protect your hands when cleaning out the reduction chamber.

If the reduction chamber becomes clogged with debris, the shredder screen can be pivoted upward so that you can clean the surrounding area. To do so, proceed as follows:

- Stop the engine and wait until all moving parts have come to a complete stop.

- Disconnect spark plug wire and keep away from spark plug. Refer to Page 15.



**WARNING:** The muffler and surrounding area will be hot if the engine has been running. Use caution and protect your hands if working near the muffler.

- Remove the two wing knobs on either side of the discharge chute and pivot the discharge chute upward. See Figure 12.
- Remove the hairpin clip from the clevis pin which extends through the housing and shredder screen. See Figure 12. Retain the clevis pin and hairpin clip.

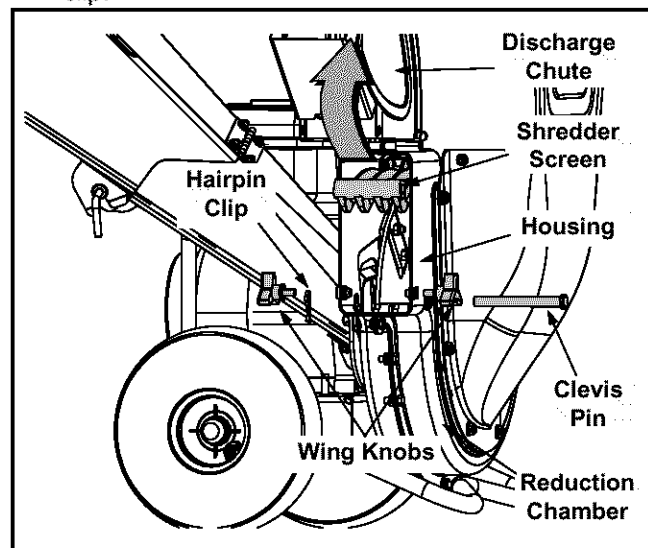


Figure 12

- Pivot the shredder screen upward and clean the surrounding area by scraping away debris.
- Confirm that the spark plug wire is disconnected and away from spark plug.
- Pull on the starter rope two-to-three times to purge any remaining debris from the reduction chamber
- When the area is cleaned, pivot the shredder screen downward and re-secure with the clevis pin and hairpin clip removed earlier.
- Reattach the debris collection bag to the discharge chute, if desired.

# MAINTENANCE

## Customer Responsibilities

MAINTENANCE SCHEDULE								SERVICE DATES					
		Before each Use	Every 25 hours	Every 50 hours	Every 100 hours	Once a season	Before storage						
PRODUCT	Lube Spring Latch					✓							
	Lube Chipper Chute Hinge					✓							
	Lube Discharge Chute					✓							
	Inspect Chipper Blades		✓			✓							
	Inspect Shredder Blade		✓										
ENGINE	Check Oil Level	✓											
	Change Oil		✓				✓						
	Clean Air Filter Precleaner		✓			✓							
	Clean Engine	✓					✓						
	Check Spark Plug			✓		✓							

### Lubrication

**Spring Latch:** Lubricate the latch with light oil once a season

**Chipper Chute Hinge:** Lubricate the hinge with light oil once a season.

**Discharge Chute:** Lubricate the pivot points on the chute deflector with light oil once a season.

**Engine:** Check engine oil level before each use as follows:

- Remove the dipstick and wipe with a clean cloth.

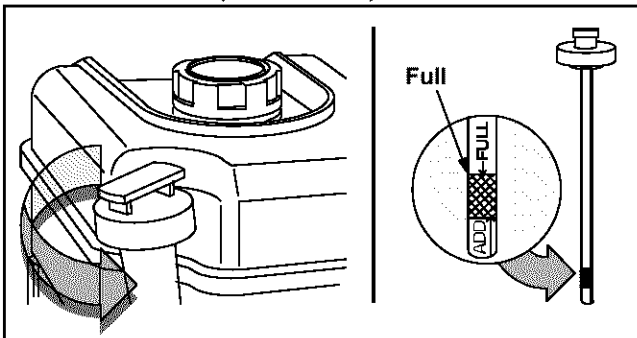


Figure 13

- Replace and tighten dipstick.
- Remove and check the oil fill level. Add oil if necessary (Refer to Page 9 for proper oil type).

### Air Cleaner

Clean air cleaner's precleaner every 25 hours under normal conditions. To remove air cleaner, proceed as follows:

- Remove knob and cover. See Figure 14.

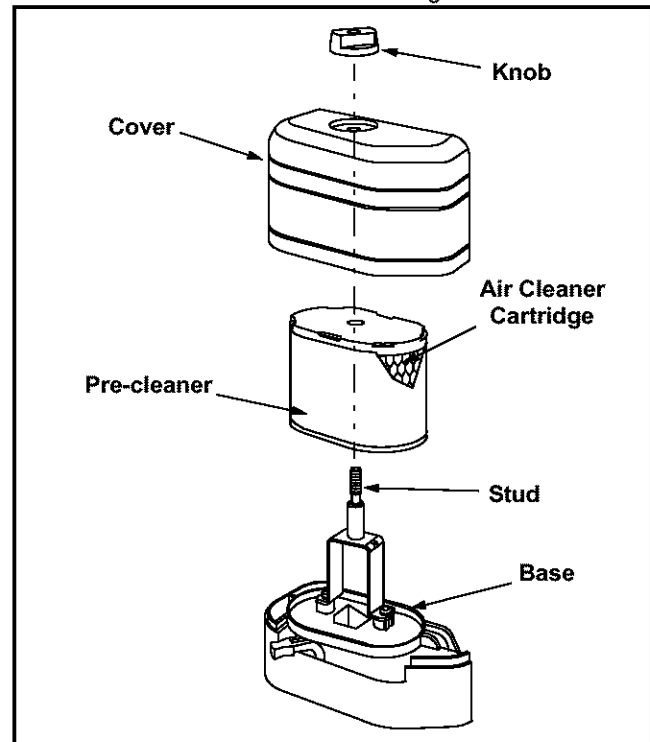


Figure 14

- Lift air cleaner assembly (air cleaner cartridge and pre-cleaner) off stud.
- Push clean (or new) air cleaner assembly onto stud. Air cleaner must fit securely on base.
- Push cover squarely onto base and tighten knob.

**NOTE:** Clean pre-cleaner every few hours under extremely dusty conditions. To clean pre-cleaner, separate it from cartridge and wash in liquid detergent and water. Air dry thoroughly. Do not oil pre-cleaner. Re-assemble dry pre-cleaner onto clean cartridge. Replace the air cleaner cartridge once a season.

**IMPORTANT:** Do not use pressurized air or solvents to clean cartridge. Pressurized air can damage cartridge. Solvents will dissolve cartridge.

## Cleaning Engine

- Promptly wipe off any fuel or oil spilled on the machine with clean cloth.
- Using a brush or cloth, remove debris from the finger guard on the engine daily to prevent overheating of the engine. Do not use water to clean engine parts. Water could contaminate the fuel system.
- Keep the throttle linkage, springs and controls free of debris.
- Clean muffler area and remove any debris before operating the unit.

## Spark Plug

- Clean area around the spark plug base.
- Remove and inspect the spark plug.
- Replace the spark plug if electrodes are pitted, burned, or the porcelain is cracked. See Figure 15.
- Clean the spark plug and reset the gap to .030" at least once a season or every 100 hours of operation. See Figure 15. Replace if necessary. Refer to parts list section for part number.

**NOTE:** Do not sandblast spark plug. Spark plug should be cleaned by scraping or wire brushing and washing with a commercial solvent.

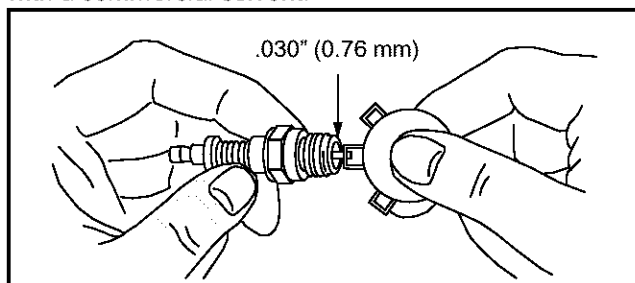


Figure 15

## Changing Oil

To drain oil from the engine's crankcase, proceed as follows:

- Run the engine for a few minutes to allow the oil to warm up. Warm oil flows more easily and will carry away more impurities when draining oil.
- Position the chipper shredder on level surface and place an appropriate receptacle with a capacity of at least one quart beneath the oil drain tube. See Figure 16.

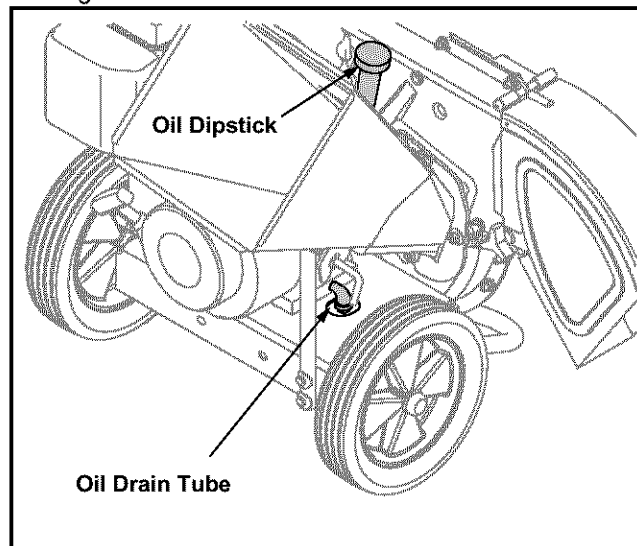


Figure 16

- Remove the oil dipstick.
- Use a 3/8" wrench to unthread the oil plug from the drain tube, allowing the used oil to flow out.
- Replace the oil plug and add 20 oz. of new oil (Refer to Page 9 for proper oil type). **Do NOT overfill.**
- Replace dipstick and check oil level (Refer to Page 9).

# SERVICE AND ADJUSTMENTS



**WARNING:** Always stop engine, disconnect spark plug wire and keep away from spark plug, before performing any service or adjustments on your machine.

## Disconnecting Spark Plug



**WARNING:** The muffler and surrounding area will be hot if the engine has been running. Use caution and protect your hands if working near the muffler.

Locate the spark plug wire between the muffler and air cleaner. See Figure 17.

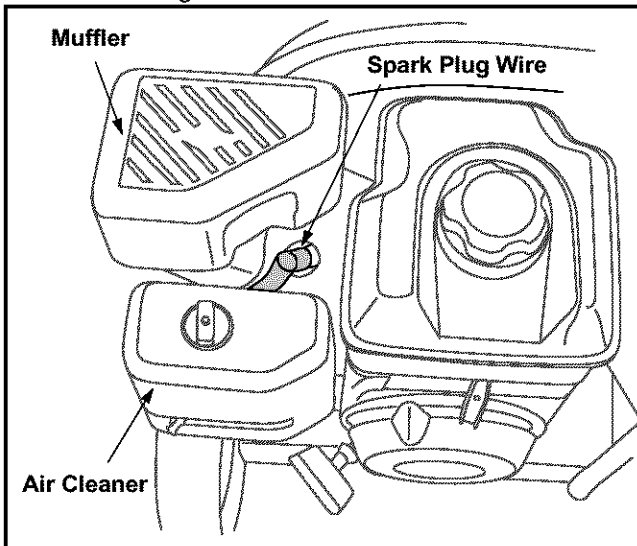


Figure 17

Disconnect the spark plug wire by gently pulling the rubber boot from the spark plug. Keep the wire away from spark plug while servicing your chipper shredder to prevent accidental starting of the engine.

## Replacing the Chipper Blades



**WARNING:** The impeller's chipper blades are sharp. Wear leather work gloves to protect your hands.

- Stop the engine and make certain the chipper shredder has come to a complete stop.
- Disconnect spark plug wire and keep away from spark plug.
- Pivot the shredder screen upward as instructed under the heading **Cleaning the Reduction Chamber**.
- Remove the chipper chute support brace from the frame by removing the two hex bolts and saddle washers which secure it. See Figure 18.

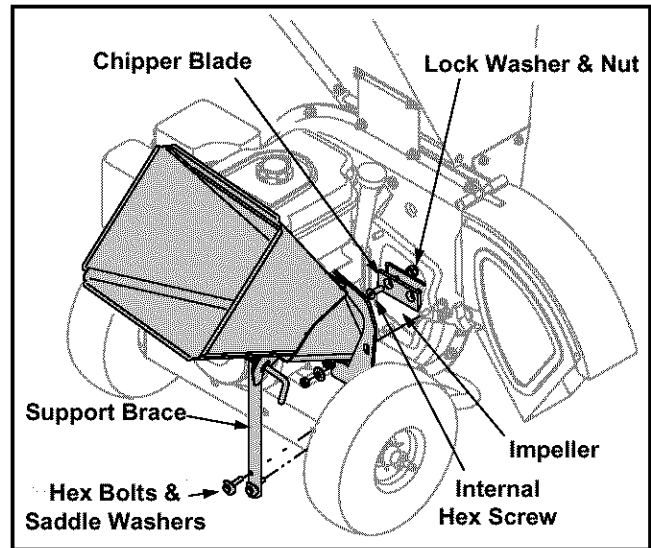


Figure 18

- Remove the chipper chute by removing three hex nuts and washers which secure it to the impeller housing. See Figure 18.
- Rotate the impeller by hand until one of the two chipper blades is visible through the impeller housing opening.
- Remove the blade by removing the internal hex screws, lock washers and hex nuts which secure it to the impeller. Retain the hardware.

**NOTE:** Use a 3/16" hex key (Allen) wrench on the outside of the blade and a 1/2" box (or socket) wrench on the inside of the impeller. See Figure 18. Hold the Allen wrench stationary and rotate the box (or socket) wrench to loosen the nut.

- Install a replacement blade (Part No. 742-0544) with the hardware removed earlier.

**IMPORTANT:** Make certain blades are reassembled with the sharp edge outward (toward the chipper chute). Torque hardware to between 20 ft-lbs and 25 ft-lbs.

- To replace the other blade, rotate the impeller to expose the second blade and repeat the steps above.

## Replacing the Shredder Blade



**WARNING:** The impeller's chipper blades are sharp. Wear leather work gloves to protect your hands.

- Stop the engine and make certain that all moving parts have come to a complete stop.

- Remove the two flange nuts (and hex bolts) which secure the hopper support bracket to the impeller housing. Retain the hardware. See Figure 19.

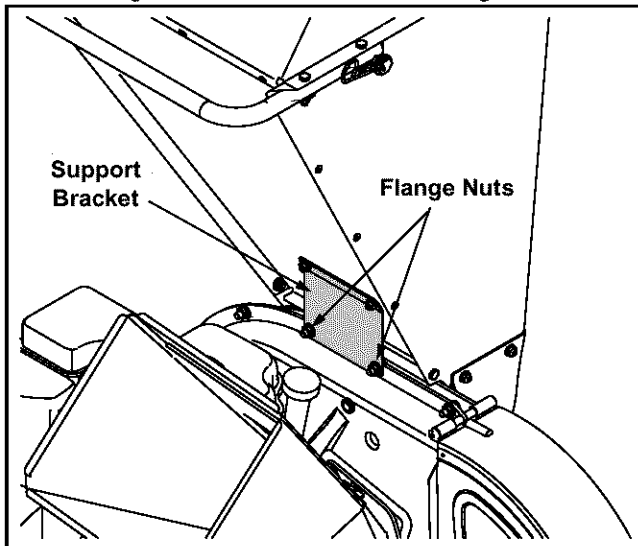


Figure 19

- Pivot the shredder screen upward as instructed under the heading **Cleaning the Reduction Chamber**.
- Remove the six flange nuts which secure the hopper inlet guide to the impeller housing. See Figure 20.

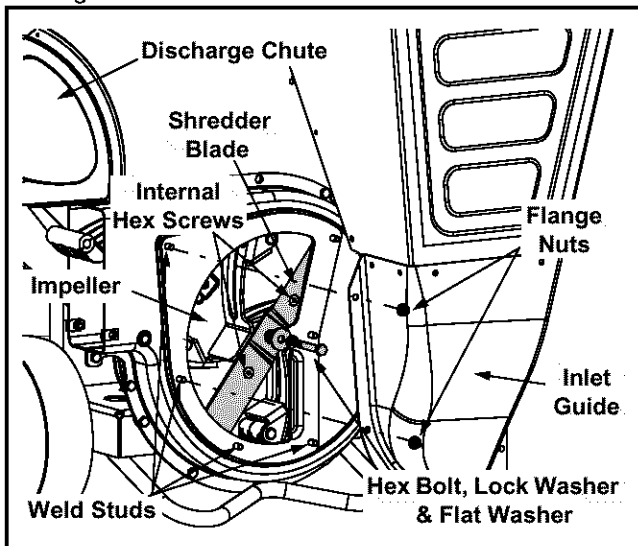


Figure 20

- Carefully separate the hopper assembly from the impeller housing and set it aside.

- Insert a piece of wood into the discharge chute opening to stabilize the impeller and prevent it from rotating when removing the shredder blade.
- Remove the two internal hex screws which secure the shredder blade to the impeller. See Figure 20.

**NOTE:** Use a 3/16" hex key (Allen) wrench on the outside of the shredder blade and a 1/2" box (or socket) wrench on the inside of the shredder blade. See Figure 20. Hold the Allen wrench stationary and rotate the box (or socket) wrench to loosen the nut.

- Remove the hex bolt, lock washer, and flat washer to completely free the shredder blade.

**IMPORTANT:** If sharpening the blade for reuse, follow the original angle of grind as a guide. It is extremely important that each cutting edge receives an equal amount of grinding to prevent an unbalanced blade.

An unbalanced blade will cause excessive vibration when rotating at high speeds and may cause damage to the unit. The blade can be tested for balance by inserting a screwdriver through its center hole. Remove metal from the heavy side until it is balanced evenly.

**IMPORTANT:** When reassembling the blade, tighten center bolt to between 45 ft-lbs and 60 ft-lbs and the two out bolts to between 20 ft-lbs and 25 ft-lbs.

## Carburetor Adjustment

The carburetor on this engine is low emission. It is equipped with a non-adjustable idle mixture valve and governed idle. Governed idle and top speed have been set at the factory. If adjustment is required, see a Sears Service Center.

**NOTE:** Engines operated at about 3000 to 5000 feet (900 to 1500 meters) above sea level may require a high altitude carburetor nozzle. If erratic performance is observed, contact a Sears Service Center for cost to install/purchase a high altitude carburetor nozzle, if available.



# STORAGE

## Chipper Shredder

- Clean the equipment thoroughly.
- Wipe equipment with an oiled rag to prevent rust.
- Store unit in a clean, dry area. Do not store next to corrosive materials such as fertilizer.

## Engine

Engines stored over 30 days need special attention.

1. To prevent gum from forming in fuel system or on essential carburetor parts:
  - a. if fuel tank contains oxygenated or reformulated gasoline (gasoline blended with an alcohol or an ether), run engine until it stops from lack of fuel,  
**or**
  - b. if fuel tank contains gasoline, either run engine until it stops from lack of fuel, or add a gasoline additive to the gas in the tank. If you use a gas additive, run the engine for several minutes to circulate the additive through the carburetor. Then, engine and fuel can be stored up to 24 months.

2. While engine is still warm, change oil.
3. Remove spark plug and pour about one (1) oz. (30 ml.) of engine oil into spark plug hole. Replace spark plug and slowly pull the starter rope to distribute oil.
4. Clean engine of surface debris, chaff or grass.
5. Store in a clean, dry area.



**WARNING:** Do not store in same area as a stove, furnace, water heater, or other appliance that uses a pilot light or has a device that can create a spark.

# TROUBLESHOOTING

Problem	Cause	Remedy
Engine fails to start	<ol style="list-style-type: none"> <li>1. Spark plug wire disconnected.</li> <li>2. Fuel tank empty or stale fuel.</li> <li>3. Throttle control lever not in correct starting position.</li> <li>4. Choke not in CHOKE position.</li> <li>5. Engine not primed.</li> <li>6. Blocked fuel system.</li> <li>7. Faulty spark plug.</li> </ol>	<ol style="list-style-type: none"> <li>1. Connect wire to spark plug.</li> <li>2. Fill tank with clean, fresh gasoline.</li> <li>3. Move throttle lever to FAST position.</li> <li>4. Move choke to CHOKE position.</li> <li>5. Prime engine.</li> <li>6. See Sears Service Center to have fuel system cleaned.</li> <li>7. Clean, adjust gap, or replace.</li> </ol>
Engine runs erratic	<ol style="list-style-type: none"> <li>1. Spark plug wire loose.</li> <li>2. Unit running on CHOKE.</li> <li>3. Dirt in fuel system</li> <li>4. Stale fuel.</li> <li>5. Dirty air cleaner.</li> <li>6. Carburetor out of adjustment.</li> </ol>	<ol style="list-style-type: none"> <li>1. Connect and tighten spark plug wire.</li> <li>2. Move choke lever to OFF position.</li> <li>3. See Sears Service Center to have fuel system cleaned.</li> <li>4. See Sears Service Center to have fuel system cleaned. Fill tank with clean, fresh gasoline.</li> <li>5. Clean or replace air cleaner.</li> <li>6. See authorized service dealer.</li> </ol>
Too much vibration	<ol style="list-style-type: none"> <li>1. Loose parts or damaged impeller.</li> <li>2. Blade(s) damaged or not properly sharpened.</li> </ol>	<ol style="list-style-type: none"> <li>1. See Sears Service Center.</li> <li>2. Replace or sharpen blade(s).</li> </ol>
Engine overheats	<ol style="list-style-type: none"> <li>1. Engine oil level low.</li> <li>2. Dirty air cleaner.</li> <li>3. Carburetor not adjusted properly.</li> </ol>	<ol style="list-style-type: none"> <li>1. Fill crankcase with proper oil.</li> <li>2. Clean or replace air cleaner.</li> <li>3. See Sears Service Center.</li> </ol>
Occasional skip (hesitates) at high speed	<ol style="list-style-type: none"> <li>1. Spark plug gap too narrow.</li> </ol>	<ol style="list-style-type: none"> <li>1. Adjust gap to .030" (0.76 mm)</li> </ol>
Unit does not discharge	<ol style="list-style-type: none"> <li>1. Discharge chute clogged.</li> <li>2. Foreign object lodged in reduction chamber.</li> <li>3. Low engine RPM.</li> </ol>	<ol style="list-style-type: none"> <li>1. Stop engine immediately and disconnect spark plug wire. Clean shredder screen and inside of discharge opening.</li> <li>2. Stop engine and disconnect spark plug wire. Remove lodged object.</li> <li>3. Always run engine at full throttle.</li> </ol>
Rate of discharge slows considerably or composition of discharged material changes.	<ol style="list-style-type: none"> <li>1. Low engine RPM.</li> <li>2. Chipper blades or shredder blade dull.</li> </ol>	<ol style="list-style-type: none"> <li>1. Always run engine with the throttle in the FAST position.</li> <li>2. Replace blades or see your Sears Service Center.</li> </ol>

**NOTE:** For repairs beyond the minor adjustments listed above, please contact your local Sears Service Center.

(This page applicable in the U.S.A. and Canada only.)

**Sears, Roebuck and Co., U.S.A. (Sears), the California Air Resources Board (CARB)  
and the United States Environmental Protection Agency (U.S. EPA)  
Emission Control System Warranty Statement (Owner's Defect Warranty Rights and Obligations)**

EMISSION CONTROL WARRANTY COVERAGE IS APPLICABLE TO CERTIFIED ENGINES PURCHASED IN CALIFORNIA IN 1995 AND THEREAFTER, WHICH ARE USED IN CALIFORNIA, AND TO

**California and United States Emission Control Defects Warranty Statement**

The California Air Resources Board (CARB), U.S. EPA and Sears are pleased to explain the Emission Control System Warranty on your model year 2000 and later small off-road engine (SORE). In California, new small off-road engines must be designed, built and equipped to meet the State's stringent anti-smog standards. Elsewhere in the United States, new non-road, spark-ignition engines certified for model year 1997 and later must meet similar standards set forth by the U.S. EPA. Sears must warrant the

**Sears Emission Control Defects Warranty Coverage**

Small off-road engines are warranted relative to emission control parts defects for a period of two years, subject to provisions set forth

**Owner's Warranty Responsibilities**

As the small off-road engine owner, you are responsible for the performance of the required maintenance listed in your Operating and Maintenance Instructions. Sears recommends that you retain all your receipts covering maintenance on your small off-road engine, but Sears cannot deny warranty solely for the lack of receipts or for your failure to ensure the performance of all scheduled maintenance. As the small off-road engine owner, you should however be aware that Sears may deny you warranty coverage if your small off-road engine or a part has failed due to abuse, neglect, improper maintenance or unapproved modifications.

**Sears Emission Control Defects Warranty Provisions**

The following are specific provisions relative to your Emission Control Defects Warranty Coverage. It is in addition to the Sears engine warranty for non-regulated engines found in the Operating and Maintenance Instructions.

**1. Warranted Parts**

Coverage under this warranty extends only to the parts listed below (the emission control systems parts) to the extent these parts were present on the engine purchased.

- a. Fuel Metering System
  - Cold start enrichment system
  - Carburetor and internal parts
  - Fuel Pump
- b. Air Induction System
  - Air cleaner
  - Intake manifold
- c. Ignition System
  - Spark plug(s)
  - Magneto ignition system
- d. Catalyst System
  - Catalytic converter
  - Exhaust manifold
  - Air injection system or pulse valve
- e. Miscellaneous Items Used in Above Systems
  - Vacuum, temperature, position, time sensitive valves and switches
  - Connectors and assemblies

**2. Length of Coverage**

Sears warrants to the initial owner and each subsequent purchaser that the Warranted Parts shall be free from defects in materials and workmanship which caused the failure of the Warranted Parts for a period of two years from the date the engine is delivered to a retail purchaser.

CERTIFIED MODEL YEAR 1997 AND LATER ENGINES WHICH ARE PURCHASED AND USED ELSEWHERE IN THE UNITED STATES (AND AFTER JANUARY 1, 2001 IN CANADA).

emission control system on your engine for the periods of time listed below, provided there has been no abuse, neglect or improper maintenance of your small off-road engine. Your emission control system includes parts such as the carburetor, air cleaner, ignition system, muffler and catalytic converter. Also included may be connectors and other emission related assemblies. Where a warrantable condition exists, Sears will repair your small off-road engine at no cost to you including diagnosis, parts and labor.

below. If any covered part on your engine is defective, the part will be repaired or replaced by Sears.

You are responsible for presenting your small off-road engine to an Authorized Sears Service Dealer as soon as a problem exists. The undisputed warranty repairs should be completed in a reasonable amount of time, not to exceed 30 days. If you have any questions regarding your warranty rights and responsibilities, you should contact a Sears Service Representative at 1-800-469-4663. The emission warranty is a defects warranty. Defects are judged on normal engine performance. The warranty is not related to an in-use emission test.

**3. No Charge**

Repair or replacement of any Warranted Part will be performed at no charge to the owner, including diagnostic labor which leads to the determination that a Warranted Part is defective, if the diagnostic work is performed at an Authorized Sears Service Dealer. For emissions warranty service contact your nearest Authorized Sears Service Dealer as listed in the "Yellow Pages" under "Engines, Gasoline," "Gasoline Engines," "Lawn Mowers," or similar category.

**4. Claims and Coverage Exclusions**

Warranty claims shall be filed in accordance with the provisions of the Sears Engine Warranty Policy. Warranty coverage shall be excluded for failures of Warranted Parts which are not original Sears parts or because of abuse, neglect or improper maintenance as set forth in the Sears Engine Warranty Policy. Sears is not liable to cover failures of Warranted Parts caused by the use of add-on, non-original, or modified parts.

**5. Maintenance**

Any Warranted Part which is not scheduled for replacement as required maintenance or which is scheduled only for regular inspection to the effect of "repair or replace as necessary" shall be warranted as to defects for the warranty period. Any Warranted Part which is scheduled for replacement as required maintenance shall be warranted as to defects only for the period of time up to the first scheduled replacement for that part. Any replacement part that is equivalent in performance and durability may be used in the performance of any maintenance or repairs. The owner is responsible for the performance of all required maintenance, as defined in the Sears Operating and Maintenance Instructions.

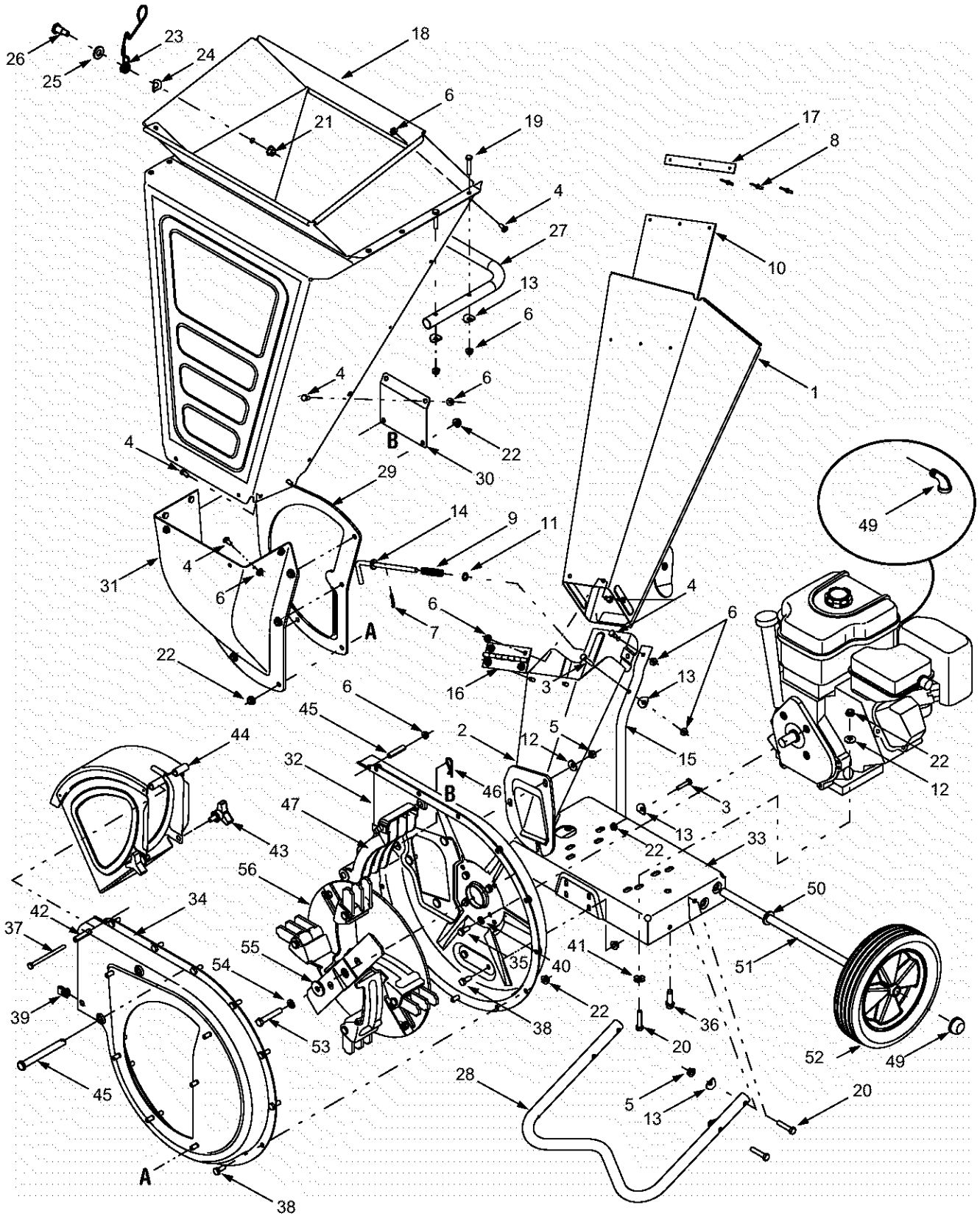
**6. Consequential Coverage**

Coverage hereunder shall extend to the failure of any engine components caused by the failure of any Warranted Part still under warranty.

In the USA and Canada, a 24 hour hot line, **1-800-469-4663**, has a menu of pre-recorded messages offering you engine maintenance information.

# PARTS LIST

Sears Craftsman 7.5 H.P. Chipper Shredder Model 247.776350



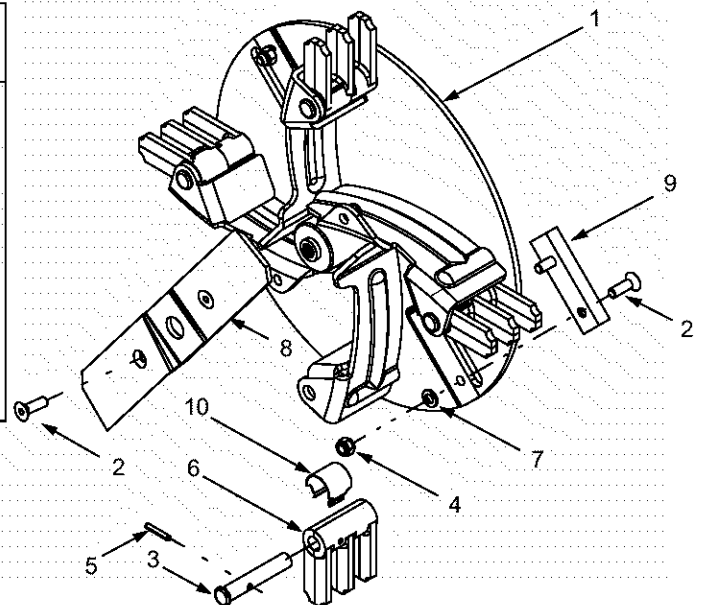
# Sears Craftsman 7.5 H.P. Chipper Shredder Model 247.776350

Ref. No.	Part No.	Part Description	Ref. No.	Part No.	Part Description
1.	681-04006	Upper Chipper Chute Assembly	30.	781-04027	Hopper Support Bracket
2.	681-04007	Upper Chipper Chute Assembly	31.	781-04033	Inlet Guide
3.	710-0106	Hex Cap Screw, 1/4-20 x 1.25	32.	681-0117	Inner Flail Housing Assembly
4.	710-3013	Hex Cap Screw, 1/4-20 x .5	33.	681-0184A	Frame Assembly
5.	712-3010	Hex Nut, 5/16-18	34.	681-04002	Outer Flail Housing Assembly
6.	712-3027	Hex Lock Nut 1/4-20	35.	710-0157	Hex Cap Screw, 5/16-24 x .75
7.	714-0104	Cotter Pin	36.	710-0502A	Hex Sems Screw, 3/8-16 x 1.25
8.	728-0175	Pop Rivet	37.	710-0825	Hex Cap Screw, 1/4-20 x 3.75
9.	732-0306A	Compression Spring, .531 x 1.75	38.	710-3008	Hex Cap Screw, 5/16-18 x.75
10.	735-0249	Chute Flap	39.	726-0211	U-Nut, 5/16-18
11.	736-0117	Flat Washer	40.	736-0119	Lock Washer, 5/16
12.	736-0242	Bell Washer .340 ID x.872 OD	41.	736-0170	Special Lock Washer, 5/16
13.	736-0451	Washer, .320 ID x.93 OD	42.	750-0793	Hinge Spacer, .265 x .380 x 1.66
14.	747-04163	Lock Rod	43.	681-0048	Knob, 5/16-18
15.	749-1004	Chipper Chute Support	44.	681-0094	Discharge Chute Assembly
16.	781-04032	Chipper Chute Hinge	45.	711-0835	Clevis Pin, .50 x 4.62
17.	781-0633	Chute Flap Strip	46.	714-0149B	Internal Cotter Pin
18.	681-04011	Shredder Hopper Assembly	47.	719-04070	Shredder Screen
19.	710-0606	Hex Cap Screw, 1/4-20 x 1.5	48.	726-0214	Push Cap, 5/8
20.	710-0805	Hex Cap Screw, 5/16-18 x 1.50	49.	737-0195	Oil Drain Tube
21.	712-0431	Flange Lock Nut, 3/8-16	50.	736-0366	Flat Washer, .625 x 1.0
22.	712-3004A	Flange Lock Nut, 5/16-18	51.	738-0814	Axle, 21.21"
23.	732-04167	Torsion Spring	52.	734-1600	Wheel, 10 x 2.5
24.	736-0182	Spring Washer, .50 x 1.0 x .022	53.	710-1254	Hex Cap Screw, 3/8-24 x 2.25
25.	736-0326	Flat Washer, .50 x 1.0 x .0125	54.	736-0217	Lock Washer, 3/8
26.	738-0430	Shoulder Screw, 3/8-16, .50 x .685	55.	736-0247	Flat Washer, .406 x 1.25
27.	749-04103	Hopper Handle	56.	681-04009	Impeller Assembly
28.	749-04104	Tube Support	—	664-04023	(See below for Impeller Parts)
29.	781-04007	Shredder Plate			Debris Collection Bag (Not Shown)

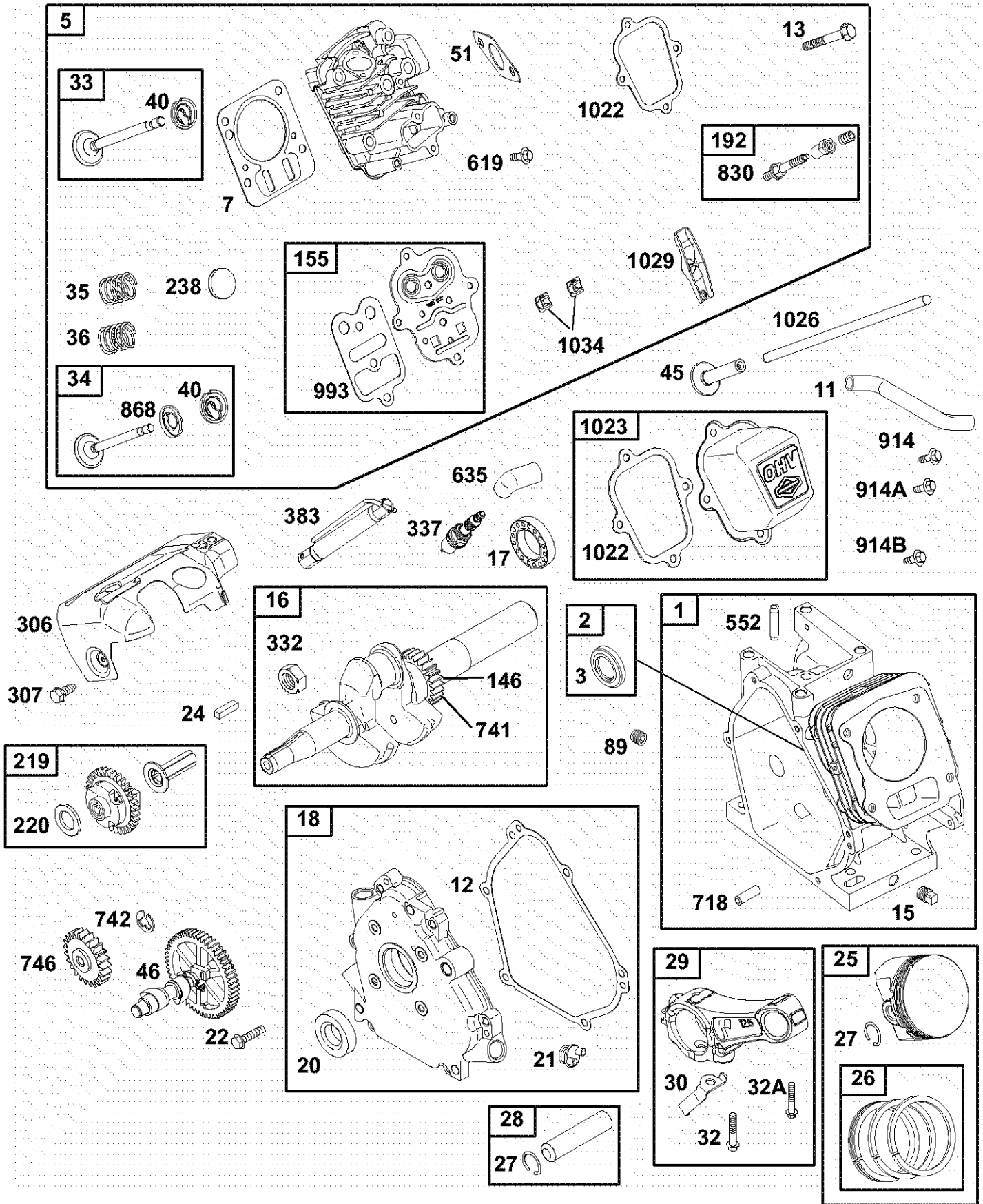
Ref. No.	Part No.	Part Description
1.	681-0029	Impeller Weldment
2.	710-1054	Machine Screw, 5/16-24 x 1.0
3.	711-0833B	Clevis Pin, .496
4.	712-0411	Hex Lock Nut, 5/16-24
5.	715-0166	Spiral Pin, .156 x 1.0
6.	719-0329	Flail
7.	736-0119	Lock Washer, 5/16
8.	742-04050	Shredder Blade
9.	742-0544	Chipper Blade
10.	781-0735	Retainer Clip

**NOTE:** When ordering replacement **painted parts**, add the applicable color code to the part number.

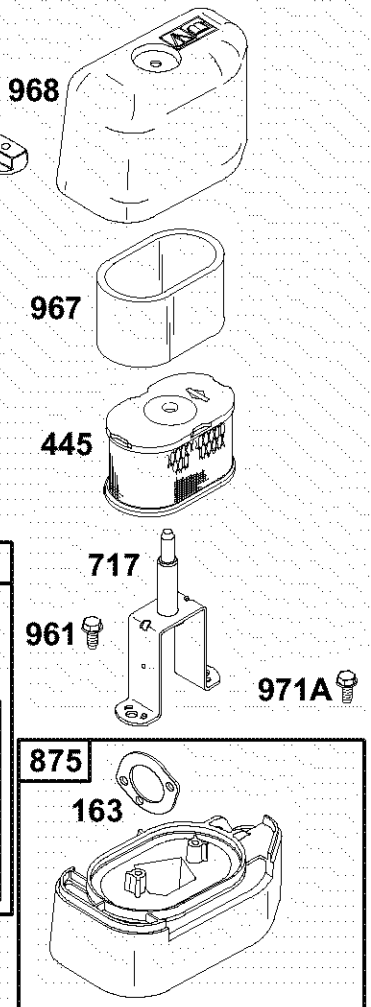
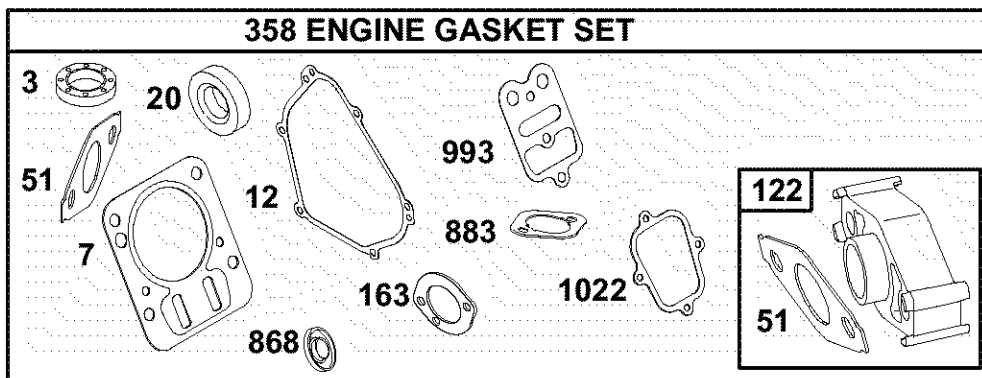
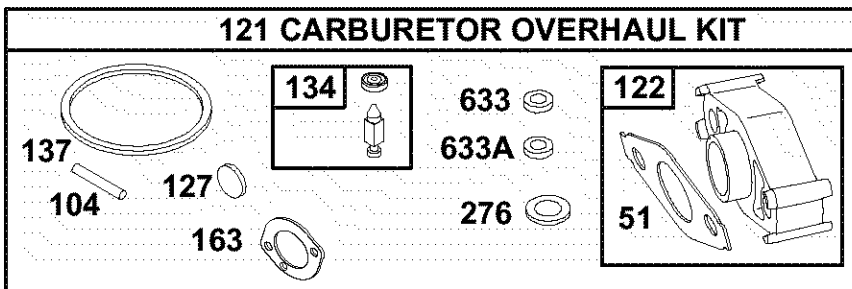
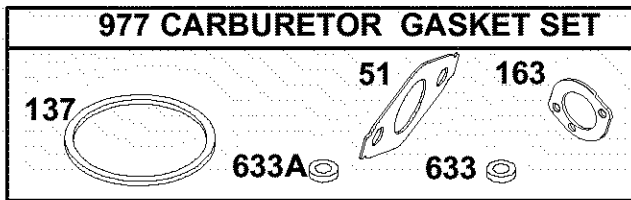
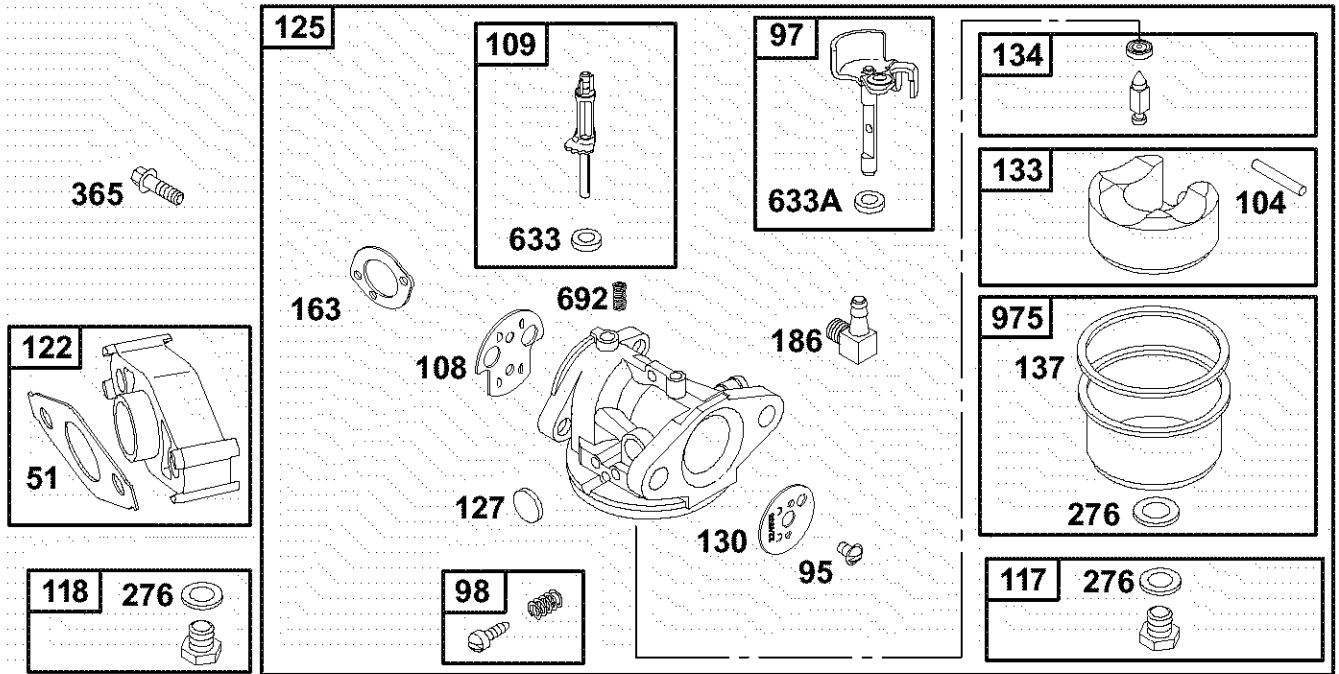
- Sears Red: 0721
- Oyster Grey: 0662
- Powder Black: 0637



Sears Craftsman 7.5 H.P. Chipper Shredder Model 247.776350

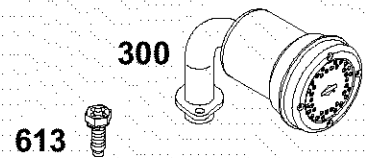
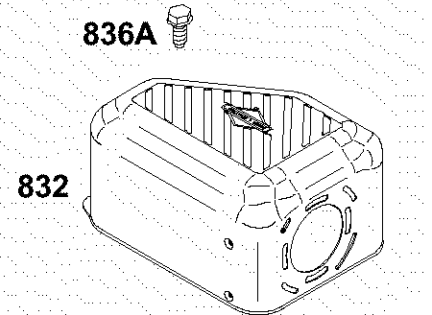
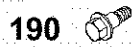
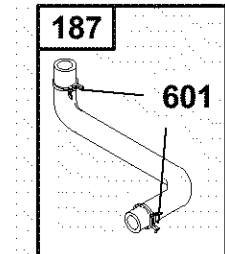
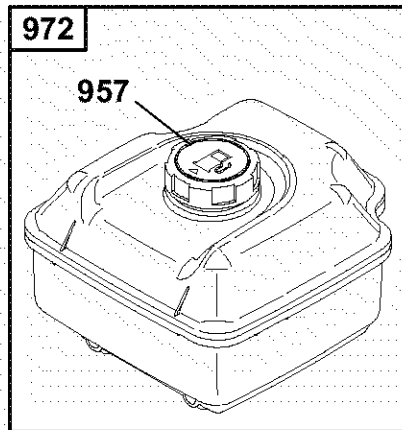
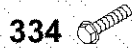
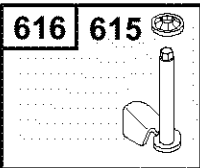
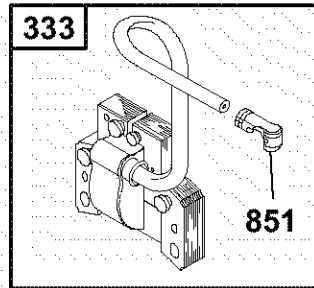
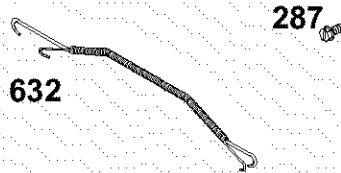
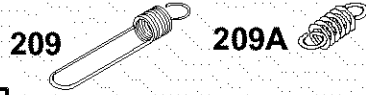
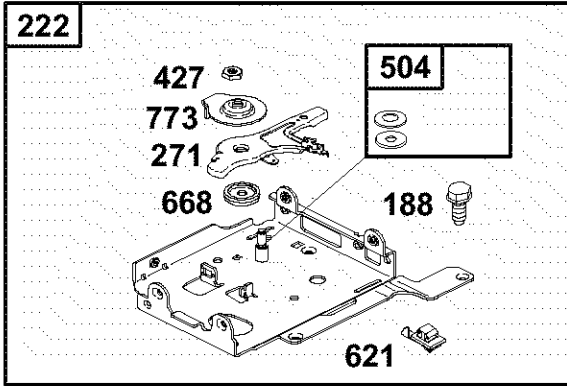
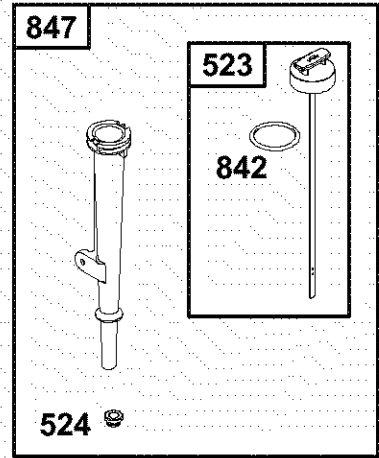
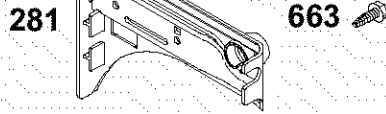
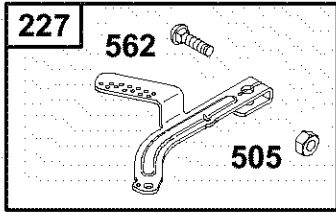


Sears Craftsman 7.5 H.P. Chipper Shredder Model 247.776350



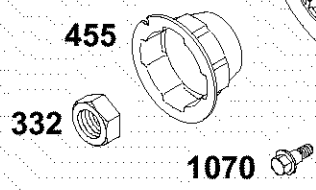
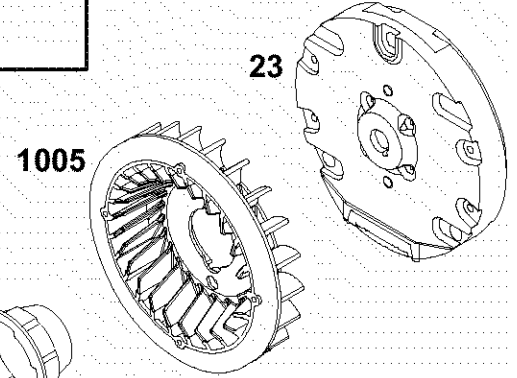
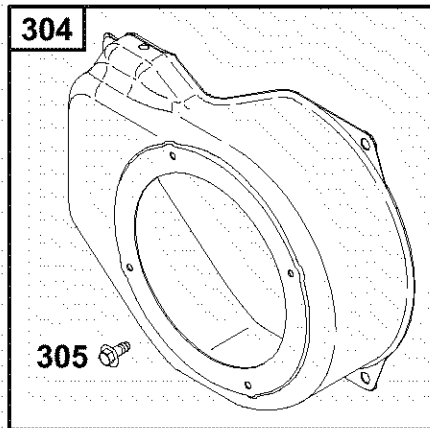
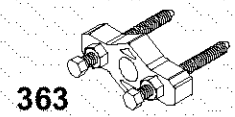
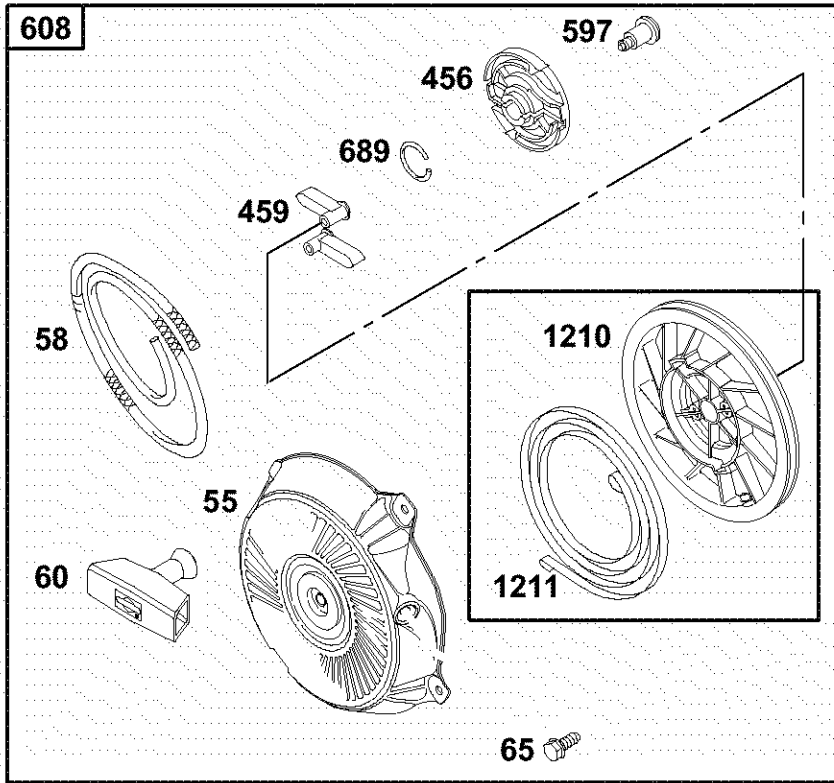
971

Sears Craftsman 7.5 H.P. Chipper Shredder Model 247.776350





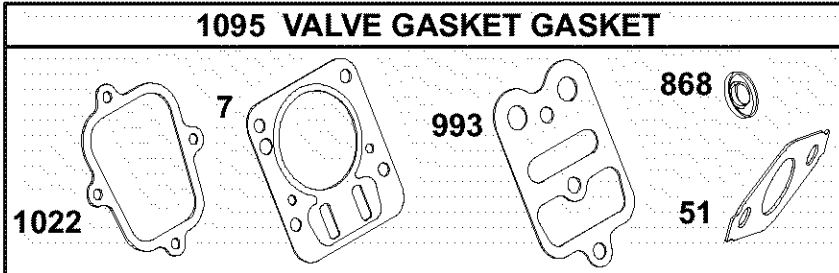
Sears Craftsman 7.5 H.P. Chipper Shredder Model 247.776350



**1329 REPLACEMENT ENGINE**

**1330 REPAIR MANUAL**

**48 SHORT BLOCK**



## Sears Craftsman 7.5 H.P. Chipper Shredder Model 247.776350

Ref. No.	Part No.	Part Description	Ref. No.	Part No.	Part Description
1	699505	Cylinder Assembly	121	696998	Carburetor Overhaul Kit
2	399269	Bushing/Seal Kit (Magneto Side)	122	693749	Spacer-Carburetor
3	299819	Seal-Oil	125	698475	Carburetor
5	699486	Head-Cylinder	127	691739	Plug-Welch
7	698210	Gasket-Cylinder Head	130	691181	Valve-Throttle
11	693647	Breather Tube	133	398187	Float-Carburetor
12	699485	Gasket-Crankcase	134	398188	Valve-Needle
13	699482	Screw (Cylinder Head)	137	693981	Gasket-Float Bowl
15	691686	Plug-Oil Drain	146	690979	Key-Timing
16	699452	Crankshaft	155	698214	Plate-Cylinder Head
18	699596	Cover-Crankcase	163	696979	Gasket-Air Cleaner
20	692550	Seal-Oil	186	692317	Connector-Hose
21	281658	Cap-Oil Fill	187	693401	Line-Fuel (Molded)
22	699478	Screw (Crankcase Cover)	188	699479	Screw (Control Bracket)
23	699488	Flywheel	190	699220	Screw (Fuel Tank)
24	222698	Key-Flywheel	192	694543	Adjustor-Rocker Arm
25	499627	Piston Assembly (Standard)	209	692571	Spring-Governor
	692789	Piston Assembly (.020" O/S)	209A	691278	Spring-Governor
26	499631	Ring Set (Standard)	219	693578	Gear-Governor
	692786	Ring Set (.020" O/S)	220	691724	Washer (Governor Gear)
27	691866	Lock-Piston Pin	222	699589	Bracket-Control
28	499423	Pin-Piston	227	692573	Lever-Governor
29	690124	Rod-Connecting	238	691300	Cap-Valve
30	692562	Connecting Rod Dipper	271	694256	Lever-Control
32	691664	Screw (Connecting Rod)	276	271716	Washer-Sealing
32A	695759	Screw (Connecting Rod)	281	699639	Plate-Trim
33	499642	Valve-Exhaust	287	699629	Screw (Dipstick Tube)
34	499641	Valve-Intake	300	693593	Muffler
35	691304	Spring-Valve	304	699598	Housing-Blower
36	691304	Spring-Valve	305	699480	Screw (Blower Housing)
40	692194	Retainer-Valve	306	693610	Shield-Cylinder
45	690977	Tappet-Valve	307	699483	Screw (Cylinder Shield)
46	696813	Camshaft	332	699359	Nut (Flywheel)
48	699581	Short Block	333	695711	Armature-Magneto
51	692555	Gasket-Intake (2 Required)	334	699477	Screw (Magneto Armature)
55	691422	Housing-Rewind Starter	337	691043	Plug-Spark
58	693389	Rope-Starter	356	695814	Wire-Stop
60	691951	Grip-Starter Rope	358	699638	Gasket Set
65	699228	Screw (Rewind Starter)	363	19069	Flywheel Puller
89	691682	Plug-Oil	365	692568	Screw (Carburetor)
95	691636	Screw (Throttle Valve)	383	19374	Wrench-Spark Plug
97	690024	Shaft-Throttle	427	694255	Nut (Control Bracket)
98	398185	Kit-Idle Speed	445	697029	Filter A/C Cartridge
104	691242	Pin-Float Hinge	455	692591	Cup-Flywheel
108	692567	Valve-Choke	456	692299	Pawl Friction Plate
109	693628	Shaft-Choke	459	281505	Ratchet Pawl
117	698344	Jet-Main (Standard)	467	691668	Knob-Air Cleaner
118	694176	Jet-Main (High Altitude)	504	694254	Washer Set

## Sears Craftsman 7.5 H.P. Chipper Shredder Model 247.776350

Ref. No.	Part No.	Part Description	Ref. No.	Part No.	Part Description
505	691251	Nut (Governor Control Lever)	847	693617	Dipstick/Tube Assembly
523	693618	Dipstick	868	692044	Seal-Valve
524	281370	Seal-Dipstick Tube	875	697030	Base-Air Cleaner
552	692346	Bushing-Governor Crank	883	691893	Gasket-Exhaust
562	691112	Bolt (Governor Control Lever)	914	699481	Screw (Rocker Cover) (Bottom)
597	691696	Screw (Pawl Friction Plate)	914A	692557	Screw (Rocker Cover) (Top)
601	95162	Clamp-Hose	914B	697551	Screw (Rocker Cover)
608	693394	Rewind Starter	957	694261	Cap-Fuel Tank
613	699209	Screw (Muffler)	961	698304	Screw (Air Cleaner Bracket)
615	692576	Governor Shaft Retainer	967	273356	Filter-Pre Cleaner
616	692547	Crank-Governor	968	693460	Cover-Air Cleaner
619	699230	Screw (Cylinder Head)	971	690349	Screw (Air Cleaner Base)
621	692310	Switch-Stop	971A	94929	Screw (Air Cleaner Base)
632	693408	Spring/Link Mechanical Governor	972	694260	Tank-Fuel
633	693867	Choke/Throttle Shaft Seal (Throttle)	975	493640	Bowl-Float
633A	691321	Choke/Throttle Shaft Seal (Choke)	977	697001	Gasket Set-Carburetor
635	805529	Boot-Spark Plug	993	694088	Gasket-Cylinder Head Plate
663	699206	Screw (Control Panel)	1005	692592	Fan-Flywheel
668	694257	Spacer	1019	690035	Label Kit
689	691855	Spring-Friction	1022	691890	Gasket-Rocker Cover
692	690572	Spring-Detent (Choke)	1023	499924	Cover-Rocker
717	693462	Air Cleaner Bracket	1026	693517	Rod-Push
718	690959	Pin-Locating	1029	691230	Rocker Arm
741	695087	Gear-Timing	1095	698215	Gasket Set-Valve
742	692564	Ring-Retaining	1034	691343	Push Rod Guide
746	692566	Gear-Idler	1036	697004	Emission Label
773	694258	Retainer	1070	699201	Screw (Flywheel Fan)
830	694544	Stud-Rocker Arm	1210	498144	Pulley/Spring Assembly (Pulley)
832	693583	Guard-Muffler	1211	498144	Pulley/Spring Assembly (Spring)
836	699203	Screw (Muffler Guard)	1329	121312-0145	Replacement Engine
836A	699632	Screw (Muffler Guard)	1330	272147	Repair Manual
851	493880	Spark Plug Terminal			


Sears Craftsman 7.5 H.P. Chipper Shredder Model 247.776350

777S32258

**⚠ DANGER**

**⚠ WARNING**


Do NOT place branches over 1/2 inch diameter into the large Shredder Hopper. Branches over 1/2 inch in diameter should be placed in the Small Chipper Chute.



Read the owner's manual(s) before starting and using unit. Keep all people and animals in yard and driveway clear. Do not operate from drinking and long hair out of hairnets. Hopper, Chipper Chute and Discharge Chute while in the engine is running. Rotating cutting blades inside these openings will cause serious personal injury if contacted. Material being processed may bounce back from inlet openings or be thrown from the discharge chute. Long hair or loose clothing may be pulled caught into the inlet openings.

- If the chipper shredder jams or becomes clogged, immediately shut off the engine and wait for all moving parts to come to a complete stop before clearing.
- If machine stalls because of jam, move throttle control lever to stop position or shut-off rocker to "O" if equipped, before clearing.
- Do not touch or remove, adjust, or service the discharge screen or any other part while the engine is running. Always wear seat belt cover.
- Do not operate on uneven ground where unit is unstable.
- Do not operate with Chipper Chute in its position. Latched up in for storage only. Unlatch, lower and lock Discharge Chute in place before operating machine.

- Do not operate on pavement, gravel or other hard surfaces unless objects can float and cause injury.
- To avoid a fire hazard, keep leaves, grass and other combustible materials away from hot engine and muffler.
- Keep children and others away from area of operation.
- Wear approved safety glasses, gloves and ear protection.



777D07574

**CRAFTSMAN**

**3" Chipping Capacity Reduction Ratio 14:1**

777S32272


**⚠ DANGER**

**HINGED UPPER CHIPPER CHUTE:**

**ROTATING CUTTING BLADES. KEEP HANDS AND FEET OUT OF OPENINGS WHILE MACHINE IS RUNNING.**

**STORAGE:** To save space, Chute may be unlocked and latched in the raised position.

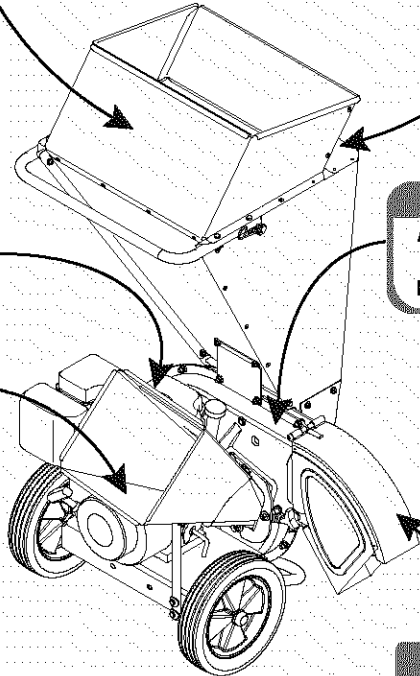
**OPERATION:** Chute must be in the lowered and locked position. Refer to operator's manual for proper use of the Chipper.



777S30189

**⚠ DANGER**

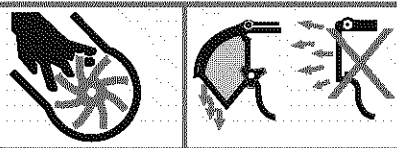
**ASSEMBLE CHUTE DEFLECTOR TO THIS UNIT BEFORE OPERATING MACHINE.**

777S30180

**⚠ DANGER**

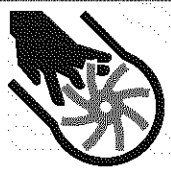
- ROTATING CUTTING BLADES. KEEP HANDS AND FEET OUT OF OPENING WHILE MACHINE IS RUNNING.
- DO NOT OPERATE THIS MACHINE UNLESS THE CHUTE DEFLECTOR HAS BEEN PROPERLY INSTALLED AND IS SECURED WITH THE HAND KNOBS.



777S30181

**⚠ DANGER**

**ROTATING CUTTING BLADES. KEEP HANDS AND FEET OUT OF OPENINGS WHILE MACHINE IS RUNNING.**



**Engine Labels**

Air Cleaner	751B275754
Fuel Tank	751B274030
Recoil	751B274350

# ÍNDICE

Contenido	Página	Contenido	Página
Garantía	29	Servicio y ajustes	42
Seguridad	30	Almacenamiento	44
Montaje	33	Guía Para La Solución De Problemas	45
Funcionamiento	35	Acuerdo De Protección Para Reparaciones	47
Mantenimiento	40		

# GARANTÍA

## Garantía limitada de la cortadora trituradora Craftsman

Por el período de un (1) año a partir de la fecha de compra, siempre que a este equipo Craftsman se le realice el servicio de mantenimiento, lubricación y sintonización de acuerdo a las instrucciones del manual del operador, Sears reparará o reemplazará sin cargo todas las piezas que presenten defectos de materiales o mano de obra. El servicio de garantía está disponible sin cargo si lleva su equipo Craftsman al Centro de Servicio Técnico de Sears más cercano. El servicio de garantía a domicilio está disponible pero se aplicará un cargo de traslado. Esta garantía es válida únicamente mientras el producto se encuentre dentro de los Estados Unidos.

### Esta garantía no cubre:

- Artículos de duración limitada que sufren desgaste bajo condiciones normales de uso, tales como bujías, filtros de aire, correas y filtros de aceite.
- Reemplazo o reparaciones de llantas causadas por pinchaduras con objetos exteriores como, por ejemplo, clavos, espinas, palos o vidrios, etc.
- Reparaciones necesarias debido a abuso del operador, incluyendo pero sin limitarse a los daños causados por objetos, tales como piedras o desechos de metal, troncos de un tamaño demasiado grande, objetos que hacen impacto que pueden doblar la estructura o el cárter o pueden sobreacelerar el motor.
- Reparaciones necesarias debido a negligencia del operador, incluyendo entre otros, daños mecánico y eléctrico ocasionados por un almacenamiento no apropiado, falla por el uso de aceite de grado y/o cantidad no apropiada o falla por no dar mantenimiento al equipo de acuerdo con las instrucciones contenidas en el manual del operador.
- Limpieza o reparaciones al motor (sistema de combustible) provocadas por un combustible contaminado u oxidado (viejo). En general, el combustible debe utilizarse **en un período no mayor de 30 días** a partir de la fecha de su adquisición..
- Equipos utilizados para fines comerciales o de alquiler.

PARA UBICAR EL CENTRO DE SERVICIO TÉCNICO SEARS MÁS CERCANO O PARA PROGRAMAR EL SERVICIO TÉCNICO, SIMPLEMENTE COMUNÍQUESE CON SEARS AL TELÉFONO 1-800-4-MY-HOME  
Esta garantía le otorga derechos legales específicos y usted podría gozar de otros derechos que varían de un estado a otro..

## ESPECIFICACIONES DEL PRODUCTO

Caballaje:	7.5 Caballaje	Número de Modelo <b>247.776350</b> .....
Tipo de aceite para motor	SAE 30	Número de Serie.....
Capacidad de aceite para motor	20 onzas	Fecha de compra.....
Capacidad de combustible:	3 cuartos	Registre el número de serie y la fecha de compra y conserve en un sitio seguro para referencia futura.
Bujía	Champion QC-12YC	
Separación de la bujía	.030"	

# SEGURIDAD



**ADVERTENCIA:** La presencia de este símbolo indica que se trata de instrucciones importantes de seguridad que debe respetar para evitar poner en riesgo su seguridad personal y / o material y de otras personas. Lea y siga todas las instrucciones en este manual antes de iniciar la operación de esta máquina. En caso de no seguir estas instrucciones podría provocar lesiones personales. Cuando encuentre este símbolo - **respete la advertencia que aparece a continuación del mismo.**

**ADVERTENCIA** El escape del motor de este producto, algunos de sus componentes y algunos componentes del vehículo contienen o emiten productos químicos que el estado de California considera que pueden producir cáncer, defectos de nacimiento u otros problemas reproductivos.

**PELIGRO:** Esta máquina está diseñada para ser utilizada respetando las reglas de seguridad contenidas en este manual. Al igual que con cualquier tipo de equipo eléctrico, un descuido o error de parte del operador puede producir lesiones graves. Esta máquina es capaz de amputar manos y pies y de arrojar objetos con gran fuerza. De no respetar las instrucciones de seguridad siguientes se pueden producir lesiones graves o la muerte.

## CAPACITACIÓN

1. Lea, entienda y siga todas las instrucciones incluidas en la máquina y en el / los manual/es antes de armarla y operarla. Guarde este manual en un lugar seguro para referencias futuras y regulares y para solicitar repuestos.
2. Familiarícese con todos los controles y su operación apropiada. Sepa cómo detener la máquina y cómo desengranar los controles rápidamente.
3. No permita nunca que los niños menores de 16 años operen esta máquina. Los niños de 16 años y más deben leer y comprender las instrucciones de operación y las reglas de seguridad contenidas en este manual y deben ser capacitados y supervisados por uno de los padres.
4. Nunca permita que los adultos operen esta máquina sin recibir antes instrucción apropiada.
5. Mantenga a los observadores, ayudantes, mascotas y a los niños por lo menos a 75 pies de la máquina mientras la misma está en funcionamiento. Detenga la máquina si alguien entra en la zona.
6. Nunca encienda un motor en espacios cerrados o en una zona con poca ventilación. El escape del motor contiene monóxido de carbono, un gas inodoro y letal.
7. No ponga las manos o los pies cerca de las piezas rotatorias o en las cámaras de alimentación ni en la abertura de descarga. El contacto con el motor rotatorio puede producir la amputación de dedos, manos o pies.
8. No intente nunca destapar el canal de la cortadora o la abertura de descarga, ni trate de sacar o vaciar la bolsa vacía ni de revisar y reparar la máquina mientras el motor está en marcha. Apague el motor y espere hasta que todas las piezas móviles se hayan detenido por completo. Desconecte el cable de la bujía y manténgalo alejado de la misma.

## PREPARACIÓN

1. Inspeccione minuciosamente el área en donde utilizará el equipo. Retire todas las piedras, botellas, latas u otros objetos extraños que puedan ser levantados o arrojados causando lesiones personales o daños a la máquina.
2. Para protegerse los ojos utilice siempre anteojos o antiparras de seguridad mientras opera la máquina o mientras la ajusta o repara. Los objetos arrojados que rebotan pueden lesionar gravemente la vista.
3. Utilice zapatos de trabajo resistentes, de suela fuerte y pantalones y camisas ajustados. Las prendas sueltas o las alhajas pueden quedar atrapadas en las piezas móviles. Nunca opere esta máquina estando descalzo o con sandalias. Utilice guantes de trabajo de cuero cuando alimente material por el canal de la cortadora.
4. Antes de encender la máquina controle que todos los pernos y tornillos estén bien ajustados para comprobar que la máquina se encuentra en condiciones seguras de operación. Además realice una inspección visual de la máquina a intervalos frecuentes para controlar si la misma está dañada.
5. Para evitar lesiones o daños sea sumamente cuidadoso al manipular la gasolina. La gasolina es altamente inflamable y los vapores son explosivos. Se puede lesionar gravemente si derrama gasolina sobre usted o sobre la ropa ya que se puede encender. Lávese la piel y cámbiese de ropa de inmediato.
  - a. Utilice sólo recipientes para gasolina autorizados.
  - b. Apague todos los cigarrillos, cigarrillos, pipas y otras fuentes de combustión.
  - c. Nunca cargue combustible en la máquina en un espacio cerrado.
  - d. Nunca saque la tapa del gas ni agregue combustible mientras el motor está caliente o en marcha.

- e. Deje que el motor se enfríe por lo menos dos minutos antes de volver a cargar combustible.
  - f. Nunca recargue el tanque de combustible. Llene el tanque no más de 1/2 pulgada por debajo de la base del cuello del filtro para dejar espacio para la dilatación del combustible.
  - g. Vuelva a colocar la tapa de la gasolina y ajústela bien.
  - h. Limpie la gasolina derramada sobre el motor y el equipo. Traslade la máquina a otra zona. Espere 5 minutos antes de encender el motor.
  - i. Nunca almacene la máquina o el recipiente de combustible en un espacio cerrado donde haya fuego, chispas o luz piloto (por ejemplo, hornos, calentadores de agua, calefactores, secadores de ropa, etc.)
  - j. Para reducir el riesgo de incendio mantenga la máquina limpia de pasto, hojas y de acumulación de otros desechos. Limpie los derrames de aceite o combustible y saque todos los desechos embebidos con combustible.
  - k. Deje que la máquina se enfríe por lo menos 5 minutos antes de guardarla.
- 6. No permita que se acumule material procesado en la cámara de reducción. El mismo puede obstaculizar la descarga adecuada y provocar el retorno del material a través de la abertura de alimentación.
  - 7. No intente triturar ni picar material de mayor tamaño al especificado en la máquina o en este manual. Se podrían producir lesiones o daños.
  - 8. No intente nunca destapar el canal de la cortadora o la abertura de descarga mientras el motor está en marcha. Apague el motor y espere hasta que todas las piezas móviles se hayan detenido, desconecte el cable de la bujía y manténgalo alejado de la misma antes de sacar los desechos.
  - 9. Nunca opere la máquina sin que la tolva de la trituradora, el canal de la cortadora o el canal de descarga estén conectados a la máquina como corresponde. Nunca coloque ni extraiga la bolsa de recolección de desechos mientras el motor está en marcha.
  - 10. Mantenga todos los protectores, desviadores y dispositivos de seguridad en su lugar y en buenas condiciones.
  - 11. Mientras alimenta material dentro de la máquina mantenga su rostro y su cuerpo detrás y hacia un costado del canal de la cortadora para evitar lesiones por retrocesos accidentales.
  - 12. Nunca opere esta máquina sin buena visibilidad o iluminación.
  - 13. No opere esta máquina en superficies pavimentadas, con grava o desniveladas.
  - 14. No opere esta máquina estando bajo los efectos del alcohol o de drogas.
  - 15. El silenciador y el motor se calientan y pueden producir quemaduras. No los toque.
  - 16. Nunca levante o transporte la máquina cuando el motor está encendido.

## FUNCIONAMIENTO

1. No ponga las manos o los pies cerca de las piezas rotatorias o en las cámaras de alimentación ni en la abertura de descarga. El contacto con el motor rotatorio puede producir la amputación de dedos, manos o pies.
2. Antes de encender la máquina compruebe que el canal de la cortadora, la toma de alimentación y la cámara de corte están vacías y sin desechos.
3. Inspeccione minuciosamente todo el material que desea triturar y saque los objetos metálicos, piedras, botellas, latas u otros objetos extraños que pueden ocasionar lesiones o dañar la máquina.
4. Si es necesario empujar el material por la tolva de la trituradora use un palo de poco diámetro. No utilice las manos ni los pies.
5. Si el motor golpea un objeto extraño o si la máquina empieza a producir un sonido poco común o una vibración, apague el motor de inmediato. Deje que el motor se detenga por completo. Desconecte el cable de la bujía y manténgalo alejado de la misma. Siga estos pasos:
  - a. Inspeccione la máquina para ver si está dañada.
  - b. Repare o reemplace las piezas dañadas.
  - c. Controle si hay piezas flojas y ajústelas para asegurar que la máquina funcione de manera segura y continua.

## MANTENIMIENTO Y ALMACENAMIENTO

1. Nunca manipule los dispositivos de seguridad de manera imprudente. Controle periódicamente que funcionen de forma adecuada.
2. Controle frecuentemente que todos los pernos y tornillos estén bien ajustados para comprobar que la máquina se encuentra en condiciones seguras de operación. Además realice una inspección visual de la máquina para controlar si la misma está dañada y repárela de ser necesario.
3. Antes de limpiar, reparar o inspeccionar la máquina, detenga el motor y compruebe que el mismo y que todas las piezas móviles se hallan detenido. Desconecte el cable de la bujía y manténgalo alejado de la misma para evitar que se encienda de manera accidental.
4. No cambie la configuración del regulador del motor ni acelere demasiado el mismo. El regulador controla la velocidad máxima segura de operación del motor.
5. Mantenga o reemplace las etiquetas de seguridad e instrucciones según sea necesario.
6. Siga las instrucciones de este manual para cargar, descargar, transportar y almacenar de manera segura esta máquina.

7. Nunca almacene la máquina o el recipiente de combustible en un espacio cerrado donde haya fuego, chispas o luz piloto como por ejemplo, calentadores de agua, hornos, secadores de ropa, etc.
8. Consulte siempre el manual de operación para las instrucciones adecuadas para el almacenamiento fuera de temporada.
9. Si debe vaciar el tanque de combustible, hágalo al aire libre.
10. Respete las normas referentes a la disposición correcta y las reglamentaciones sobre gas, combustible, etc. para proteger el medio ambiente.



**ADVERTENCIA:** - SU RESPONSABILIDAD: Sólo permita que usen esta máquina eléctrica las personas que lean, comprendan y respeten las advertencias y las instrucciones que aparecen en este manual y en la máquina.

## Busque el período de duración de emisiones importantes y la información de clasificación de aire en la etiqueta de emisiones de su motor

Los motores cuyo cumplimiento con los estándares de emisión Tier 2 de la Mesa de Recurso Ambientales de California (CARB) esté certificado deben exhibir la información relacionada con el período de duración de las emisiones y la clasificación de aire. Sears, Roebuck and Co., de los Estados Unidos ponen esta información a disposición del consumidor en nuestras etiquetas de emisiones.

El **período de duración de las emisiones** describe el número de horas de tiempo real de funcionamiento para el cual se certifica que el motor cumple con las reglas de emisión, descontando el mantenimiento adecuado del mismo según las instrucciones de operación y mantenimiento. Se utilizan las siguientes categorías:

**Moderado:** Se certifica que el motor cumple con las reglas de emisión durante 125 horas de tiempo real de funcionamiento del motor.

**Inmediato:** Se certifica que el motor cumple con las reglas de emisión durante 250 horas de tiempo real de funcionamiento del motor.

**Extendido:** Se certifica que el motor cumple con las reglas de emisión durante 500 horas de tiempo real de funcionamiento del motor.

Por ejemplo, una cortadora de césped que se empuja se usa entre 20 y 25 horas por año. Por lo tanto, el **período de duración de emisiones** de un motor con una **calificación** intermedia daría como resultado 10 a 12 años.

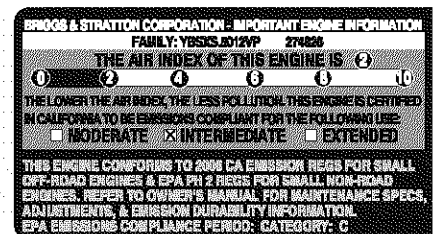
La **clasificación de aire** es un número calculado que describe el nivel relativo de emisiones para una familia de motores específica. Cuanto menor sea la **clasificación de aire**, mayor es la limpieza del motor. La información se presenta de forma gráfica en la etiqueta de emisiones.

## Después del 1 de julio de 2000, busque el período de cumplimiento de las reglas de emisiones en la etiqueta de cumplimiento de las reglas de emisiones del motor

Después del 1 de julio de 2000 se certificará que determinados motores Sears, Roebuck and Co., de los Estados Unidos cumplen con los estándares de emisiones de la fase 2 de la Agencia de Protección Ambiental de los Estados Unidos (USEPA). Para los motores certificados para la etapa 2, el período de cumplimiento con las reglas de emisiones al cual se hace referencia en la etiqueta de cumplimiento con las reglas de emisiones indica el número de horas de funcionamiento para el cual se ha demostrado que el motor cumple con los requerimientos federales de emisión. Para los motores con desplazamiento inferior a 225 cc, Categoría C = 125 horas, B = 250 horas y A = 500 horas. Para los motores con desplazamiento de 225 cc o más, Categoría C = 250 horas, B = 500 horas y A = 1000 horas.

El desplazamiento de los motores de la serie modelo 120000 es 206 cc.

**La presente es una representación genérica de la etiqueta de emisión que se encuentra generalmente en un motor certificado.**





# MONTAJE

**IMPORTANTE:** Esta unidad es enviada **sin gasolina ni aceite en el motor**. Después del montaje, consulte la sección **FUNCIONAMIENTO** del presente manual para el llenado correcto de combustible y aceite del motor.

Esta cortadora trituradora ha sido montada totalmente en la fábrica, excepto por la bolsa de recolección de desechos, la cual se guarda dentro del canal de la cortadora para su envío.

## Extracción de la unidad de la caja

- Saque las grapas, rompa el pegamento de las aletas superiores o corte la cinta del extremo de la caja y tire a lo largo de la aleta superior para abrir la caja.
- Saque todas las piezas sueltas.
- Corte a lo largo de los bordes de la caja y aplánela.
- Quite el material de empaque. Levante la unidad de la parte posterior y deseche la almohadilla de la base. Deslice la unidad hasta sacarla de la caja de cartón. Revise minuciosamente la caja para detectar la presencia de piezas sueltas.

## Piezas sueltas en la caja (Ver Figura 1)

- Un apisonador
- Una bolsa de recolección de desechos (no se muestra)
- Un par de gafas de seguridad (no se muestran)
- Una botella de 20 oz. de aceite para motor
- Un Manual del operador

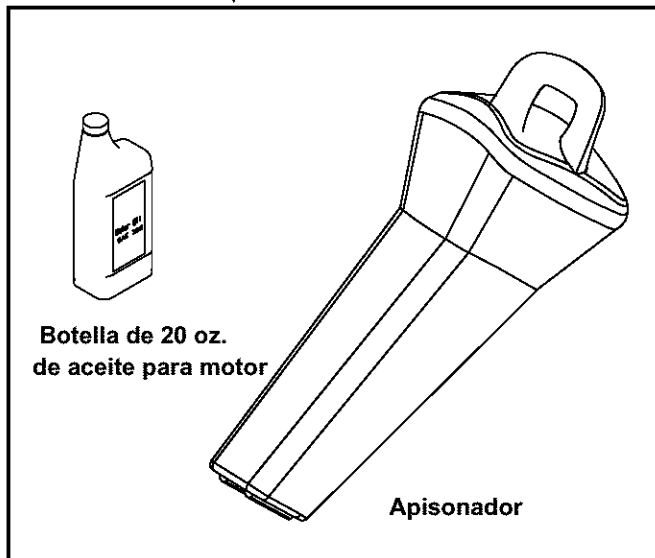


Figura 1

## Deslizamiento hacia abajo del canal de la cortadora



**ADVERTENCIA:** No utilice nunca la cortadora trituradora sin haber bajado el canal de la cortadora hasta la posición de funcionamiento.

Por razones de envío, la unidad se envía en una caja con el canal de la cortadora en una posición elevada. Para girarla hacia abajo, hasta la posición de funcionamiento, proceda de la siguiente manera:

- Tire del cerrojo de resorte hacia arriba y gire suavemente el canal de la cortadora hacia abajo hasta que se trabe en la varilla de seguridad. Ver Figura 2.

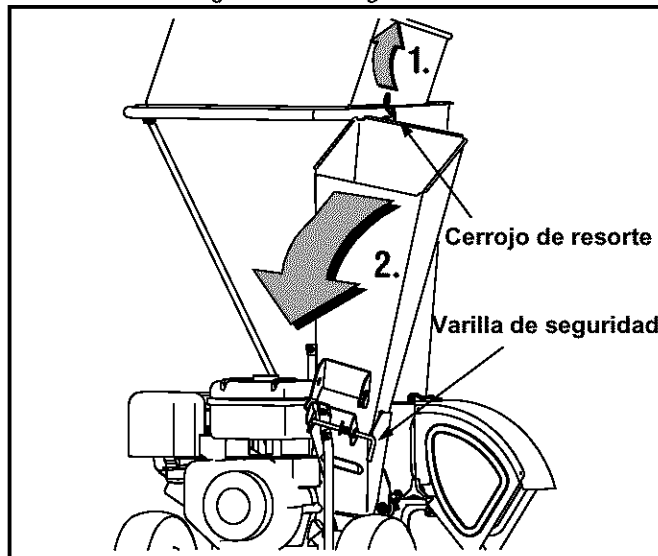


Figura 2

## Deslizamiento hacia arriba del canal de la cortadora



**ADVERTENCIA:** No utilice nunca la cortadora trituradora sin haber bajado el canal de la cortadora hasta la posición de funcionamiento.

Se puede girar hacia arriba el canal de la cortadora para que su almacenamiento resulte más conveniente. Para hacerlo proceda de la siguiente manera:

- Tire del cerrojo de resorte hacia afuera y gire el canal de la cortadora hacia arriba hasta que se trabe en el cerrojo de resorte. Ver Figura 3.

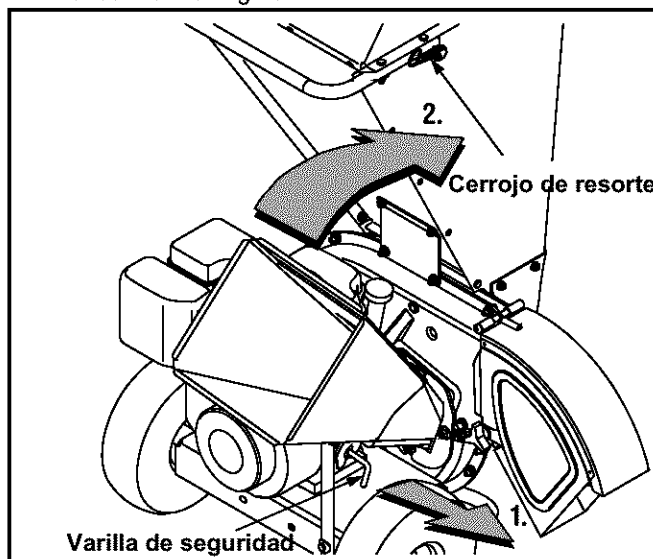


Figura 3

## Colocación de la bolsa de recolección de desechos

- Para colocar la bolsa ponga la abertura de la misma completamente sobre el canal de descarga.
- Coloque la bolsa de manera que se cubra completamente las perillas mariposa que aseguran el canal de descarga a la caja del motor.
- Tire de la tira de extracción hasta que la bolsa quede ajustada alrededor del canal de descarga. Ver Figura 4.

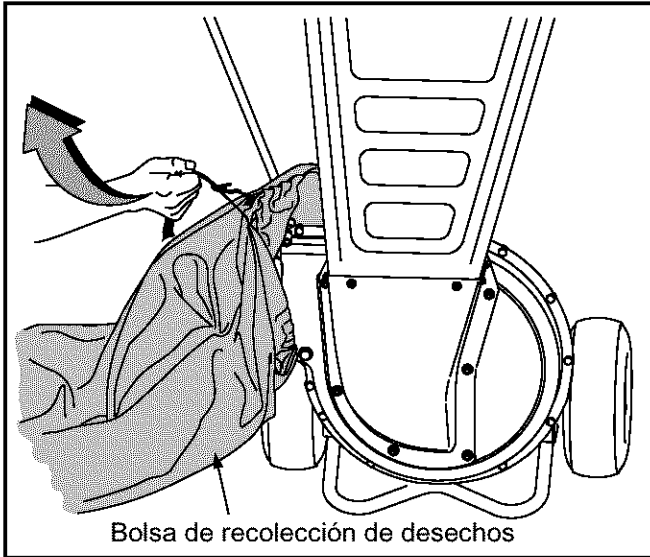


Figura 4

## Vaciado de la bolsa de recolección de desechos

- Oprima la hebilla de seguridad para soltar la tira de extracción de la bolsa antes de soltarla del canal de descarga. Ver Figura 5.

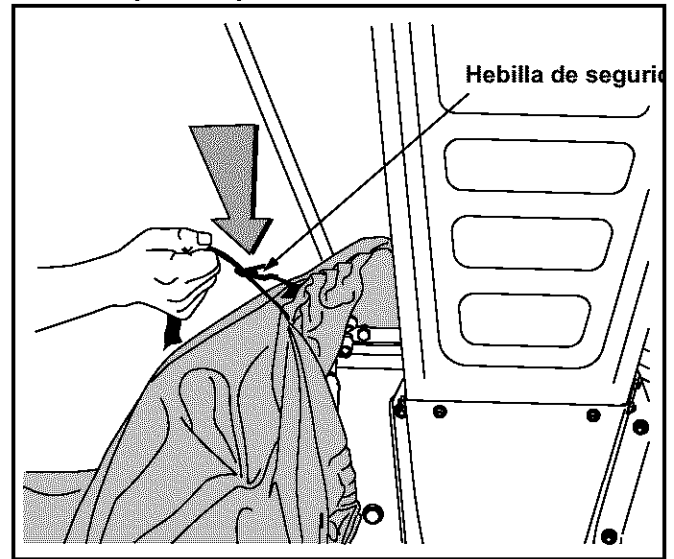


Figura 5

- Vacíe la bolsa y vuelva a colocarla en la abertura del canal de descarga. Consulte Figura 4.

# OPERACIÓN

## Conozca las propiedades de la cortadora trituradora



Lea este manual del operador y las reglas de seguridad antes de poner la cortadora trituradora en funcionamiento. Compare las ilustraciones que aparecen a continuación con su equipo para familiarizarse con la ubicación de los distintos controles y ajustes. Guarde este manual para referencias futuras.

Al operar todo tipo de cortadora trituradora puede ser que objetos extraños sean arrojados a los ojos lo cual puede dañarlos gravemente. **Utilice siempre los anteojos de seguridad**, provistos con la cortadora trituradora mientras opera este equipo o mientras lo ajusta o lo repara.

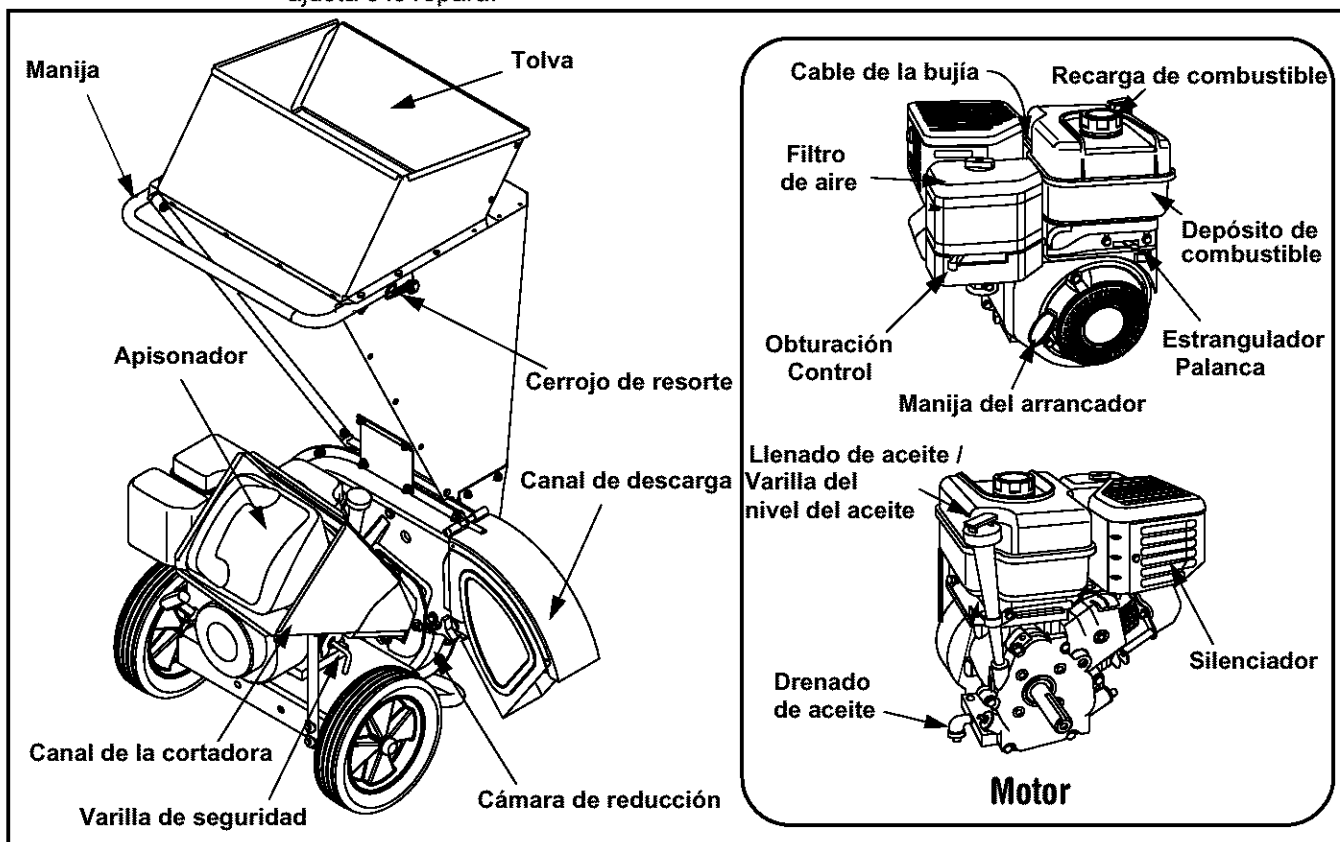


Figura 6

### Controles de funcionamiento (Ver Figura 6)

#### Cerrojo de resorte

El cerrojo de resorte está ubicado en la parte superior de la tolva. Se usa para asegurar el canal de la cortadora en una posición elevada para su almacenamiento o transporte.

#### Manija

Use la manija cuando transporte la cortadora trituradora.

#### Canal de la cortadora

Se puede permitir el ingreso de ramas de hasta 3" de diámetro en el canal de la cortadora para ser cortadas.



**ADVERTENCIA:** No opere nunca la cortadora trituradora con el canal de la cortadora en la posición elevada. Suelte el cerrojo a resorte para bajar el canal de la cortadora hasta la posición de funcionamiento antes de encender el motor.

#### Varilla de seguridad

La varilla de seguridad está ubicada en el soporte del canal de la cortadora. Se usa para soltar o asegurar el canal de la cortadora en una posición inferior para el funcionamiento.

### Cumple con los estándares de seguridad de ANSI

Las cortadoras trituradoras de Craftsman cumplen con los estándares de seguridad del instituto estadounidense de estándares nacionales (ANSI).

## Apisonador

Use el apisonador para ayudar a ingresar ramas dentro del canal de la cortadora.

## Tolva

Las hojas, ramas pequeñas y ramas de hasta 1/2 pulgada de diámetro se pueden colocar dentro de la tolva para su trituración.

**IMPORTANTE:** No coloque nunca en la tolva ramas con un diámetro superior a 1/2 pulgadas. De hacerlo se puede dañar gravemente la hoja de trituración, el desgranado o el motor de la unidad.

## Motor

**NOTA:** En el estado de California, los motores de la serie 110000 cubiertos en este manual están certificados por la Mesa de Recursos Ambientales de California que cumplen con los estándares de emisión para 250 horas. Dicha certificación no otorga al comprador, propietario u operador de este motor, ninguna garantía adicional con respecto al rendimiento o vida útil de este motor. Este motor está garantizado únicamente de acuerdo con las garantías de producto y de emisiones indicadas en la sección correspondiente en este manual.

Diámetro 2-11/16 pulg. (68 mm)

Carrera 2-13/64 pulg. (56 mm)

Desplazamiento 12.48 pulg. cub. (206 cc)

**IMPORTANTE:** Para una operación práctica, la carga no deberá exceder el 85% del caballaje especificado. La potencia del motor se reducirá 3-1/2% por cada 1.000 pies (300 metros) sobre el nivel del mar y 1% por cada 10° F (5.6° C) sobre 77° F (25° C). El motor operará satisfactoriamente en un ángulo de hasta 15 grados.

## Palanca del regulador

La palanca del regulador controla la velocidad del motor y la función de detención.

## Control de obturación

El control de obturación cierra la placa de obturación del carburador y ayuda a encender el motor cuando está frío.

## Manija del arrancador

La manija del arrancador está ubicada sobre el motor. Tire de la manija del arrancador para encender el motor.

## Detención del motor

- Mueva la palanca de control del regulador a la posición STOP (detención). Ver Figura 7.

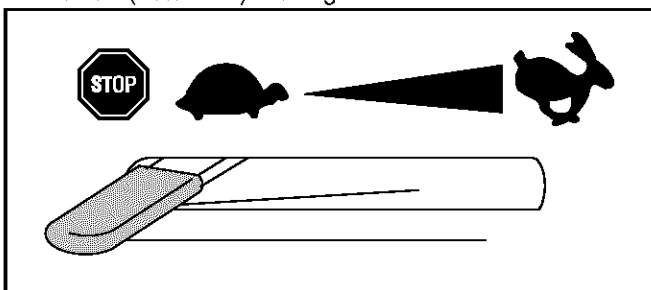


Figura 7



**ADVERTENCIA:** Cuando mueva la palanca del control del regulador tenga cuidado con las superficies calientes de la protección del silenciador.



**PRECAUCIÓN:** No detenga nunca el motor moviendo la palanca de obturación hasta la posición CHOKE (obturación). Se pueden producir explosiones al carburador, incendios o daños al motor.

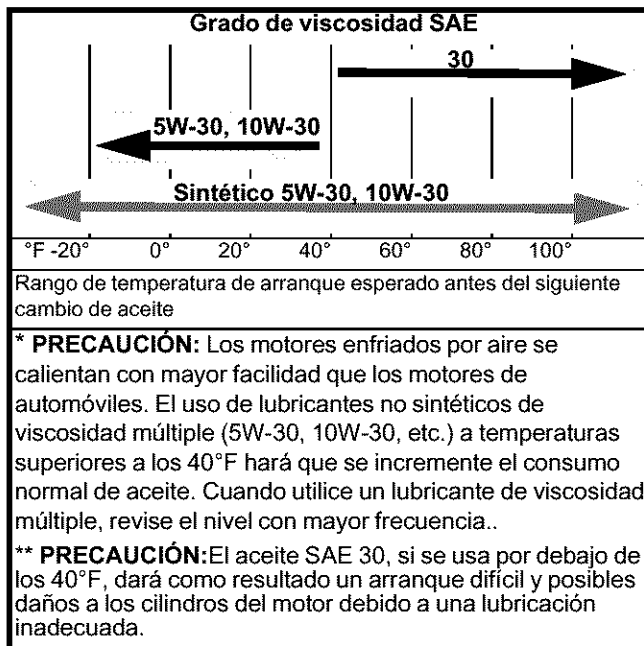
## Carga de gas y aceite

### Aceite (se envía una botella de 20 onzas junto con la unidad)

#### Tipo de aceite

1. Consulte la tabla a continuación para conocer el grado apropiado de aceite.
2. Use un aceite detergente de alta calidad clasificado "Para servicio SF, SG, Sh, SJ" o superior.
3. No use aditivos especiales.

*El aceite sintético que cumple con la certificación ILSAC GF-2, API y con el símbolo API de servicio con "Conservación de energía SJ/CF" o superior es un lubricante aceptable a cualquier temperatura. El uso de aceite sintético no modifica los intervalos de cambio de aceite.*



- Saque la varilla del nivel de aceite.
- Con la Cortadora trituradora ubicada en suelo parejo, use un embudo para llenar el motor con aceite hasta la marca FULL (lleno) de la varilla del nivel de aceite. La capacidad es de 20 onzas (0.6 litros). **Tenga cuidado de no llenar en exceso.** El llenado en exceso hace que el motor emane mucho humo y que el rendimiento del mismo no sea bueno. La botella de aceite embalada con la cortadora trituradora contiene 20 onzas de aceite.
- Antes de poner en funcionamiento la cortadora trituradora, verifique el nivel de aceite de la siguiente manera:

- Limpie la varilla del nivel de aceite con una tela limpia y vuelva a insertarla en el tubo de llenado de aceite.
- Ajuste la varilla de medición del nivel de aceite antes de sacarla y verifique el nivel del mismo. Ver Figura 8.

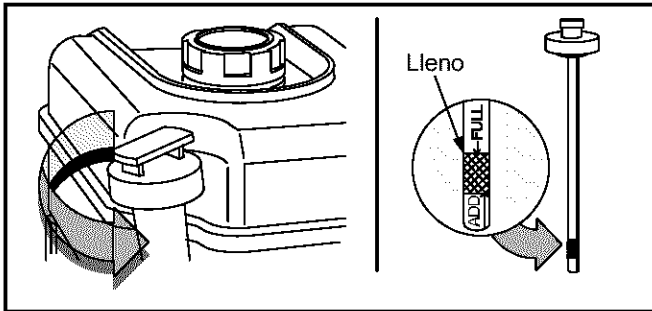


Figura 8

**NOTA:** Cuando saque la varilla del nivel de aceite no permita que la misma roce las paredes interiores del tubo de llenado de aceite. De hacerlo se puede producir una lectura falsa de la varilla de medición del nivel de aceite.

- Verifique el nivel del aceite tres veces antes de encender el motor para asegurarse de que la lectura de la varilla es correcta.

**IMPORTANTE:** Si pone el motor en marcha con muy poco aceite le puede causar daños permanentes.

## Gasolina

### Tipo de combustible

- Use gasolina limpia, fresca, regular, sin plomo con un octanaje mínimo de 85. El combustible fresco impide que se acumulen residuos en el sistema de combustible o en las piezas fundamentales del carburador. Compre el combustible en la cantidad que podría utilizar en un plazo de hasta 30 días.
- No use gasolina que contenga metanol.
- No mezcle el aceite con la gasolina.
- Se certifica que el motor de la cortadora trituradora funciona a gasolina. Sistema de control de emisiones del escape: EM (modificaciones del motor).

**NOTA:** Algunos combustibles, llamados gasolina oxigenada o reformulada están compuestos por gasolina mezclada con alcohol o éter. Las cantidades excesivas de dichas mezclas pueden dañar el sistema de combustible o causar problemas de rendimiento. Si se presentan síntomas de funcionamiento no deseables use gasolina con un porcentaje bajo de alcohol o éter.

### Llenado de combustible

- Saque la tapa del combustible del depósito del mismo.
- Verifique que el recipiente del que va a verter la gasolina esté limpio y libre de óxido o de objetos extraños. No use nunca gasolina que pueda estar vieja por haber estado almacenada en su recipiente por largos períodos. La gasolina que ha estado estacionada por un período superior a cuatro semanas se considera vieja.
- El depósito de combustible tiene una capacidad de tres (3) cuartos. Llène el depósito de combustible únicamente con gasolina para autos limpia, fresca, común sin plomo, con alto octanaje sin plomo o reformulada.
- Vuelva a colocar la tapa de combustible en su lugar.

- Para evitar problemas con el motor, el sistema del combustible debe ser vaciado antes de almacenar la máquina durante 30 días o más. Vacíe el tanque de nafta, encienda el motor y déjelo funcionar hasta que las líneas de combustible y el carburador estén vacíos. La siguiente temporada use combustible fresco. Consulte la sección de almacenamiento si desea información adicional.



**ADVERTENCIA:** Sea sumamente cuidadoso al manipular la gasolina. La gasolina es altamente inflamable y los vapores son explosivos. Nunca cargue combustible en la máquina en un espacio cerrado o cuando el motor está caliente o en marcha. Apague cigarrillos, cigarros, pipas y otras fuentes de ignición.

**IMPORTANTE:** Verifique periódicamente el nivel de combustible para evitar quedarse sin gasolina mientras está operando la cortadora trituradora. Si la unidad se queda sin nafta mientras está en funcionamiento puede resultar necesario destaparla antes de poder volver a encenderla. Consulte la sección de servicio y ajustes.

## Encendido del motor



**ADVERTENCIA:** El silenciador y la zona circundante están calientes si el motor ha estado en funcionamiento. Sea precavido y protéjase las manos si trabaja cerca del silenciador.

- Conecte el cable de la bujía a la misma si todavía no lo hizo. Compruebe que el capuchón de goma del extremo de la bujía esté bien cerrado sobre la punta metálica de la bujía. Consulte Figura 9 por la ubicación del cable de la bujía.

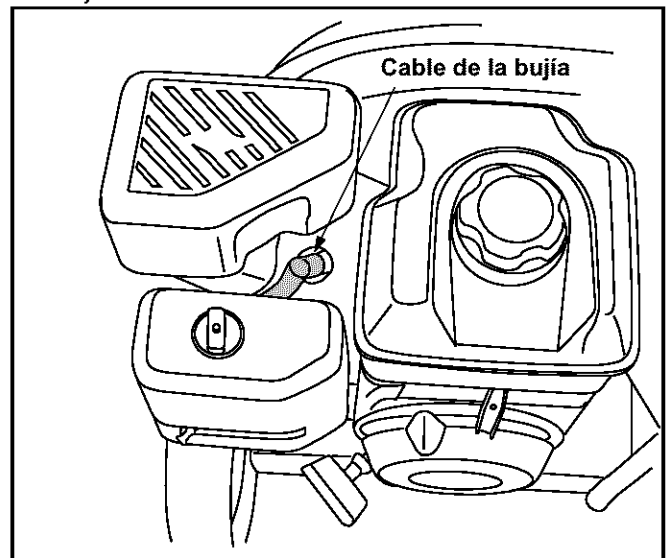


Figura 9

- Cambie la palanca de obturación a la posición CHOKE (obturación). (Si el motor está tibio la obturación puede no ser necesaria). Ver Figura 10.

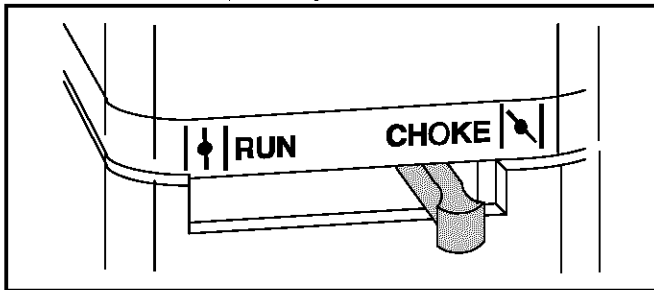


Figura 10

- Mueva la palanca de control del regulador a la posición FAST (rápido, representado por una liebre). Ver Figura 11.

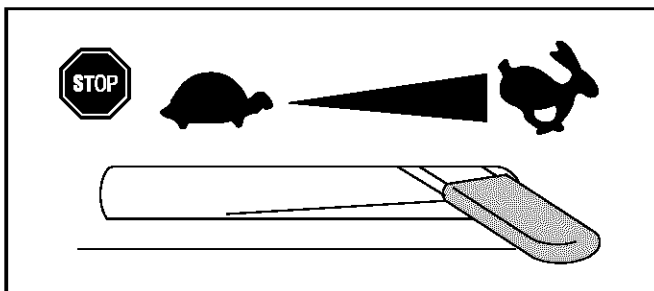


Figura 11

- Tome la manija del arrancador y tire de la cuerda hacia afuera lentamente hasta sentir resistencia. Cuando se hace levemente más difícil tirar de la cuerda, permita que la misma retroceda lentamente. Después tire de la cuerda de manera rápida y continua. Apriete bien la manija del arrancador.

**NOTA:** Es posible que se escuche un ruido "metálico" cuando tire de la cuerda de arranque. Es totalmente normal y NO significa que exista ningún tipo de problema de funcionamiento. El ruido es causado por el descebado (pieza del mecanismo de trituración) cuando gira sobre el motor de la cortadora trituradora a medida que gira.

- Apriete la manija del arrancador y permita que la cuerda retroceda lentamente.
- Repita los pasos anteriores hasta que el motor se encienda. Una vez encendido el motor mueva el control de obturación gradualmente hasta la posición RUN (en marcha) hasta que el motor funcione suavemente.



**ADVERTENCIA:** Nunca encienda el motor en espacios cerrados o en una zona poco ventilada. El escape del motor contiene monóxido de carbono, un gas inodoro y letal.

## Trituración

El desecho que se acumula en los patios como por ejemplo las hojas y las agujas de los pinos puede ser colocado en la tolva para triturarlo. Después de procesar el material con la hoja de la trituradora y de desgranar, es empujado fuera del canal de descarga y, si está instalada, hacia el interior de la bolsa de recolección de desechos. Respete las siguientes pautas cuando triture desechos que se acumulan en los patios:

- Sólo utilice la máquina para triturar el material que se encuentra en un patio normal (hojas, ramas, piñas de los pinos, etc.).
- Evite la trituración de plantas fibrosas como, por ejemplo, las de tomates hasta que estén totalmente secas. Las plantas de tomates frescas no se trituran bien y tienden a enroscarse alrededor del motor y del desgranado.
- Coloque cantidades razonables de desechos en la tolva por vez. No sobrecargue la tolva.
- Permita que el material que se encuentra en la tolva sea atraído hasta las hojas y triturado antes de agregar más desechos dentro de la misma. De no hacerlo se puede tapar la tolva, el canal de descarga o detener el motor.
- Evite colocar en la tolva ramas cuya longitud exceda las 24 pulgadas. Las ramas de más de 24 pulgadas de largo pueden tapar la tolva.

**IMPORTANTE:** No coloque nunca en la tolva ramas con un diámetro superior a 1/2 pulgadas. De hacerlo se puede dañar gravemente la hoja de trituración, el desgranado o el motor de la unidad.

## Limpieza de la tolva

Si se tapa la tolva con desechos durante el funcionamiento, proceda de la siguiente manera:

- Tome la manija con las dos manos y agite suavemente la cortadora trituradora para ayudar a que se suelten los desechos, atrayéndolos hasta el interior del motor.

Si no se elimina el atascamiento proceda de la siguiente manera:

- Detenga el motor.
- Use las manos para sacar los desechos que se encuentran cerca de la parte superior de la tolva.
- Use una rama (u otro dispositivo disponible, es decir, una escoba) para sacar los desechos ubicados cerca de la base de la tolva.
- Vuelva a encender el motor.

**NOTA:** Si no puede tirar de la cuerda de arranque por los desechos acumulados cerca del motor, siga las instrucciones incluidas bajo el título **Limpieza de la cámara de reducción.**

## Corte



**ADVERTENCIA:** No utilice nunca la cortadora trituradora sin haber bajado el canal de la cortadora hasta la posición de funcionamiento.

Se puede permitir el ingreso de ramas de hasta 3" de diámetro en el canal de la cortadora. Ver Figura 6. Respete las siguientes pautas para el corte de las ramas:

- Mantenga ambas manos firmemente en la rama a medida que la coloca dentro del canal de la cortadora.

- No ponga nunca más de una rama dentro del canal de la cortadora por vez.
- En el canal de la cortadora sólo se puede colocar ramas (de madera).
- Use el apisonador para ayudar a colocar ramas dentro del canal de la cortadora.
- Aplique presión intermitente (fuerza, en impulsos cortos) cuando coloque ramas más largas (de 2-3 pulgadas de diámetro) dentro del canal de la cortadora para evitar inundar o ahogar el motor.

**IMPORTANTE:** Nunca coloque ramas con un diámetro superior a tres (3) pulgadas dentro del canal de la cortadora. De hacerlo se puede dañar gravemente la hoja de corte, el desgranado o el motor de la unidad.

**NOTA:** Para mejores resultados, opere siempre la unidad con hojas afiladas de corte. Si se produce una reducción apreciable en el rendimiento mientras se cortan ramas, se debe reemplazar las hojas de la cortadora.

## Limpeza del canal de reducción



**ADVERTENCIA:** Las hojas de trituración y de corte del motor están afiladas. Use guantes de trabajo de cuero para protegerse las manos cuando limpie la cámara de reducción.

Si la cámara de reducción se tapa con desechos, la pantalla de desgranado se puede girar hacia arriba para que pueda limpiar la zona circundante. Para hacerlo proceda de la siguiente manera:

- Detenga el motor y espere hasta que todas las piezas móviles se hayan detenido por completo.
- Desconecte el cable de la bujía y manténgalo alejado de la misma. Consulte la página 42.



**ADVERTENCIA:** El silenciador y la zona circundante están calientes si el motor ha estado en funcionamiento. Sea precavido y protéjase las manos si trabaja cerca del silenciador.

- Saque las perillas a mariposa de ambos lados del canal de descarga y gírelo hacia arriba. Ver Figura 12.
- Saque el broche de horquilla de la chaveta que se extiende a través de la caja del motor y de la pantalla de la trituradora. Ver Figura 12. Retenga la chaveta de horquilla y el broche de orquilla.

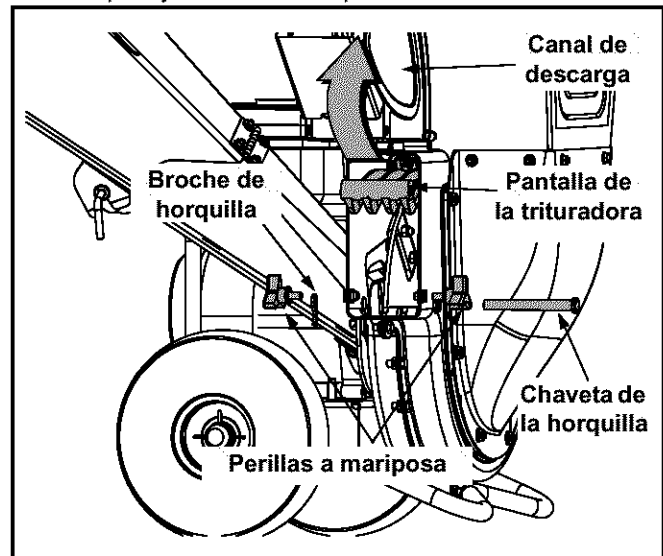


Figura 12

- Gire la pantalla de desgranado hacia arriba y limpie la zona circundante sacando todos los desechos mediante raspado.
- Confirme que el cable de la bujía esté desconectado y lejos de la misma.
- Tire de la cuerda del arrancador entre dos y tres veces para purgar todos los desechos restantes de la cámara de reducción.
- Cuando la zona está limpia, gire la pantalla de desgranado hacia abajo y vuelva a ajustarla con la chaveta de horquilla y el broche de horquilla que sacó anteriormente.
- Vuelva a colocar la bolsa de recolección de desechos en el canal de descarga, si lo desea.

# MANTENIMIENTO

## Responsabilidades del cliente

PROGRAMACIÓN DEL MANTENIMIENTO		Antes de cada uso	Cada 25 horas	Cada 50 horas	Cada 100 horas	Una vez por temporada	Antes del almacenamiento	FECHAS DE SERVICIO			
PRODUCTO	Lubrique el cerrojo de resorte					✓					
	Lubrique la bisagra del canal de la cortadora					✓					
	Lubrique el canal de descarga					✓					
	Revise las hojas de la cortadora		✓			✓					
	Revise la hoja de la trituradora		✓								
MOTOR	Verificación del nivel de aceite	✓									
	Cambie el aceite		✓			✓					
	Limpie el filtro previo del filtro de aire		✓			✓					
	Limpie el motor	✓				✓					
	Controle la bujía			✓		✓					

## Lubricación

**Cerrojo de resorte** Lubrique el cerrojo con aceite liviano una vez por temporada.

**Bisagra del canal de la cortadora:** Lubrique la bisagra con aceite liviano una vez por temporada.

**Canal de descarga:** Lubrique los los puntos cruciales del desviador del canal con aceite liviano una vez por temporada.

**Motor** Verifique el nivel de aceite del motor antes de cada uso como se indica a continuación:

- Saque la varilla del nivel del aceite y límpiela con una tela limpia.

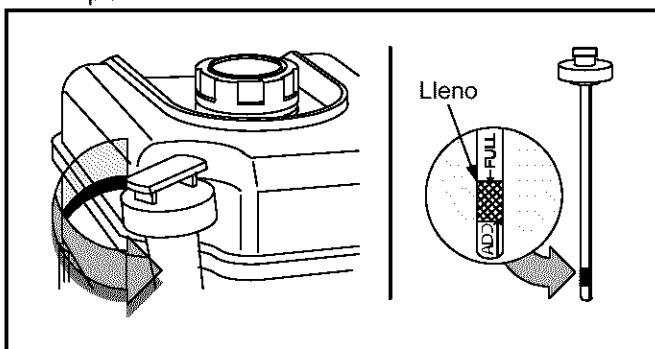


Figura 13

- Vuelva a colocar la varilla y ajústela.
- Sáquela y revise el nivel de llenado del aceite. Agregue aceite de ser necesario (Consulte la página 36 para conocer el tipo adecuado de aceite).

## Filtro de aire

Limpie el filtro previo del filtro de aires cada 25 horas en condiciones normales de uso. Para sacar el filtro de aire proceda de la siguiente manera:

- Saque la perilla y la cubierta. Ver Figura 14.

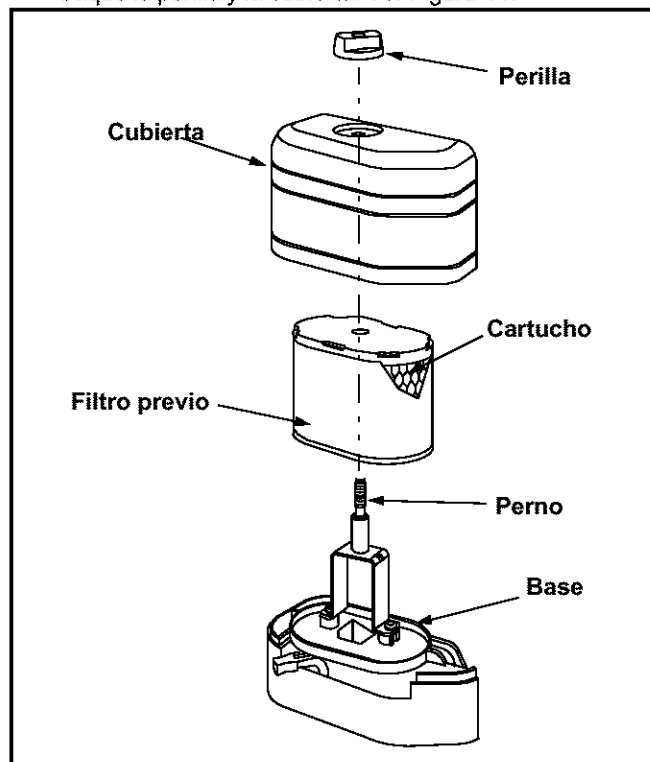


Figura 14



- Levante el montaje del filtro de aire (el cartucho y el prefiltro) fuera del perno.
- Empuje el montaje del filtro de aire limpio (o nuevo) sobre el perno. El filtro de aire debe quedar bien ajustado sobre la base.
- Empuje la cubierta directamente sobre la base y ajuste la perilla.

**NOTA:** Limpie a intervalos de pocas horas cuando haya mucho polvo. Para limpiar el filtro previo, sepárelo del cartucho y lávelo en detergente líquido y agua. Séquelo exhaustivamente por chorro de aire. No lubrique el filtro previo. Vuelva a montar el filtro previo seco en el cartucho limpio. Reemplace el cartucho del filtro de aire una vez por temporada.

**IMPORTANTE:** No use aire presurizado ni solventes para limpiar el cartucho. El aire presurizado puede dañar el cartucho. Los solventes disuelven el cartucho.

## Limpieza del motor

- Limpie de inmediato el combustible o aceite derramados en el motor con un trapo limpio.
- Use un cepillo o trapo para retirar los desechos de la cubierta en el motor diariamente para prevenir el sobrecalentamiento del motor. No use agua para limpiar las piezas del motor. El agua puede contaminar el sistema de combustible.
- Mantenga el enlace del regulador, resortes y controles libres de desechos.
- Limpie la zona del silenciador y saque los desechos antes de poner la unidad en funcionamiento.

## Bujía de encendido

- Limpie el área alrededor de la base de la bujía.
- Saque e inspeccione la bujía.
- Cambie la bujía si los electrodos están picados, quemados o la porcelana está rota. Ver Figura 15.
- Limpie la bujía y ajuste el espacio a 0.030" al menos una vez por estación o cada 100 horas de funcionamiento. Ver Figura 15. Reemplace cuando sea necesario. Consulte el número de pieza en la sección del listado de piezas.

**NOTA:** No lije la bujía. Se debe limpiar las bujías mediante raspado o tallado con cepillo de alambre y lavado con un solvente comercial.

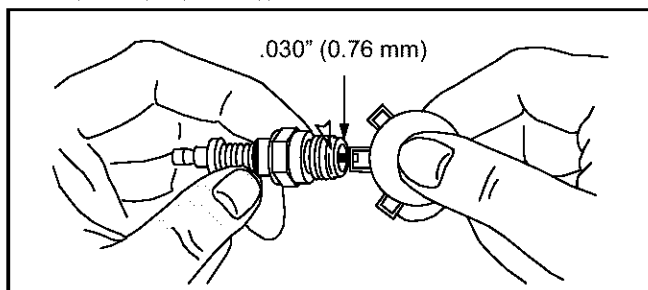


Figura 15

## Cambio de aceite

Para vaciar el aceite del cárter del motor, proceda de la siguiente manera:

- Ponga el motor en marcha durante unos minutos para permitir que el aceite se caliente. El aceite tibio fluye con más facilidad y se llevará consigo más impurezas cuando sea eliminado.
- Coloque la cortadora trituradora en una superficie pareja y coloque un recipiente adecuado con capacidad para por lo menos un cuarto debajo del tubo de drenaje del aceite. Ver Figura 16.

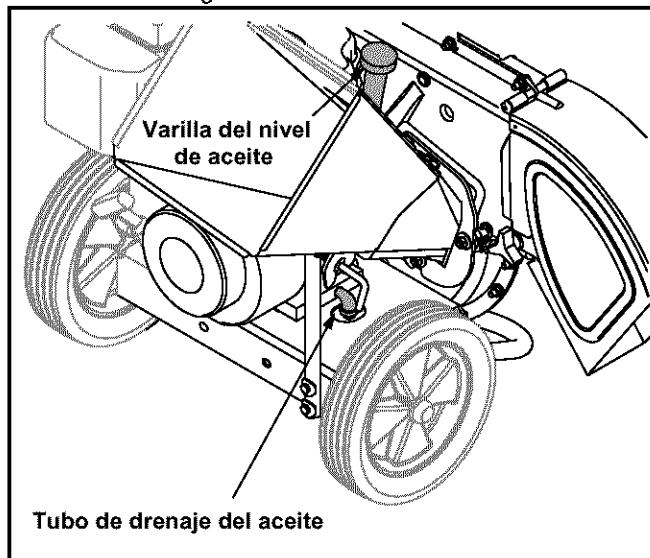


Figura 16

- Saque la varilla del nivel de aceite.
- Use una llave de 3/8" para desenroscar el tapón de aceite del tubo de drenaje para permitir que fluya hacia afuera el aceite usado.
- Vuelva a colocar el tapón de aceite y agregue 20 onzas de aceite nuevo (Consulte la página 36 para conocer el tipo adecuado de aceite). **NO llene en exceso.**
- Vuelva a colocar la varilla del nivel de aceite en su lugar y verifique el nivel de aceite (Consulte la página 36).

# SERVICIO Y AJUSTES



**ADVERTENCIA:** Detenga siempre el motor, desconecte el cable de la bujía y manténgalo alejado de la misma antes de realizar todo tipo de servicio o de ajustes en la máquina.

## Desconexión de la bujía



**ADVERTENCIA:** El silenciador y la zona circundante están calientes si el motor ha estado en funcionamiento. Sea precavido y protéjase las manos si trabaja cerca del silenciador.

Ubique el cable de la bujía entre el silenciador y el filtro de aire. Ver Figura 17.

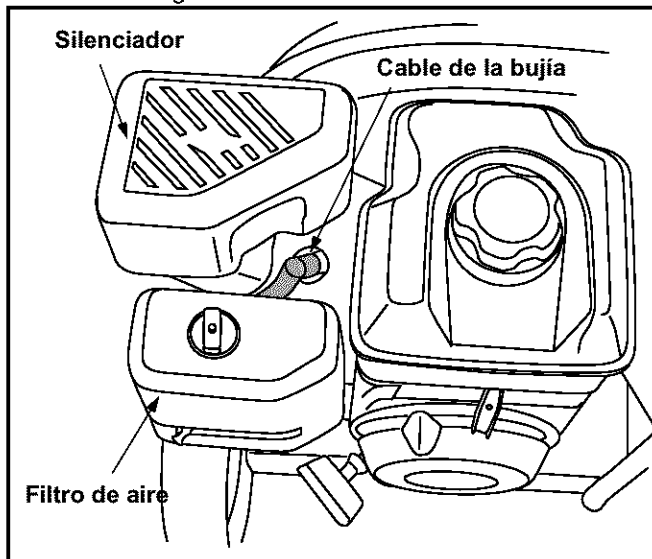


Figura 17

Desconecte el cable de la bujía tirando suavemente del capuchón de goma de la misma. Mantenga el cable alejado de la bujía mientras realiza el servicio de la cortadora trituradora para evitar que se encienda accidentalmente el motor.

## Reemplazo de las hojas de la cortadora



**ADVERTENCIA:** Las hojas de la cortadora del motor están afiladas. Utilice guantes de trabajo de cuero para protegerse las manos.

- Detenga el motor y compruebe que la cortadora trituradora se haya detenido por completo.
- Desconecte el cable de la bujía y manténgalo alejado de la misma.
- Gire la pantalla de desgranado hacia arriba como se indica en las instrucciones bajo el título de **Limpieza de la cámara de reducción**.
- Saque la traba de sostén del canal de la cortadora del marco. Para ello saque los dos pernos hexagonales y las arandelas cóncavas que la aseguran. Ver Figura 18.

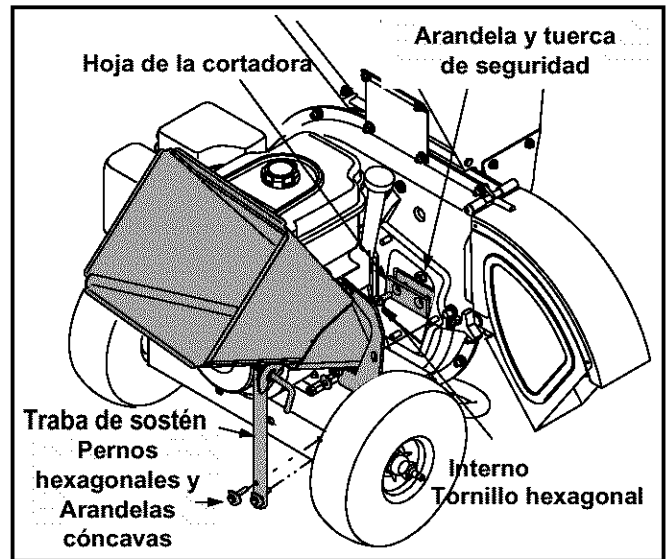


Figura 18

- Para sacar el canal de la cortadora saque las tres tuercas hexagonales y las arandelas que lo aseguran a la caja del motor. Ver Figura 18.
- Gire el montaje del motor manualmente hasta que una de las dos hojas de la cortadora sea visible a través de la abertura de la caja del motor.
- Para sacar la hoja saque los tornillos hexagonales internos, las arandelas de seguridad y las tuercas hexagonales que la sujetan al motor. Guarde los elementos de ferretería.

**NOTA:** Use una llave hexagonal de 3/16" (Allen) en el exterior de la hoja y una llave de tubo de 1/2" (o cubo) en el interior del motor. Ver Figura 18. Sostenga la llave Allen quieta y gire la llave de tubo (o cubo) para aflojar la tuerca.

- Coloque una hoja de repuesto (Número de pieza 742-0544) con los elementos de ferretería que extrajo anteriormente.

**IMPORTANTE:** Compruebe que las hojas estén montadas nuevamente con el borde afilado hacia afuera (hacia el canal de la cortadora). Apriete los elementos de ferretería con una presión de entre 20 pies/libras y 25 pies/libras.

- Gire el motor para exponer la otra hoja.
- Repita los pasos anteriores.

## Reemplazo de la hoja de la trituradora



**ADVERTENCIA:** Las hojas de la cortadora del motor están afiladas. Utilice guantes de trabajo de cuero para protegerse las manos.

- Detenga el motor y verifique que todas las piezas móviles se hayan detenido por completo.

- Saque las dos tuercas con reborde (y los pernos hexagonales) que sujetan el soporte de la tolva a la caja del motor. Guarde los elementos de ferretería. Ver Figura 19.

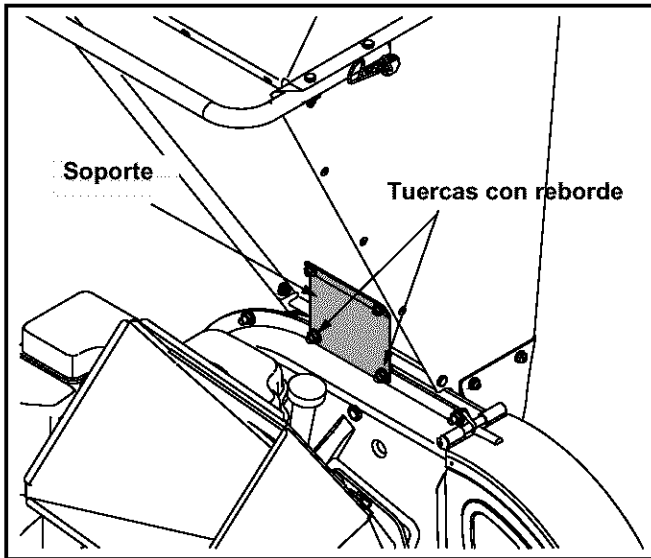


Figura 19

- Gire la pantalla de desgranado hacia arriba como se indica en las instrucciones bajo el título de **Limpieza de la cámara de reducción**.
- Saque las seis tuercas con reborde que sujetan la guía de ingreso de la tolva a la caja del motor. Ver Figura 20.

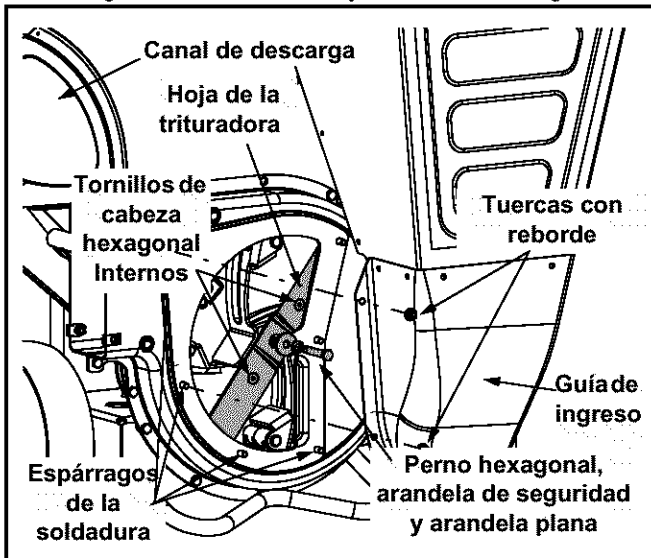


Figura 20

- Separe con cuidado el montaje de la tolva de la caja del motor y póngalo a un lado.

- Coloque un trozo de madera dentro de la abertura del canal de descarga para estabilizar el motor y evitar que el mismo gire cuando saque la hoja de la trituradora.
- Saque los dos tornillos hexagonales internos que sujetan la hoja de la trituradora al motor. Ver Figura 20.

**NOTA:** Use una llave hexagonal de 3/16" (Allen) en el exterior de la hoja de la trituradora y una llave de tubo de 1/2" (o cubo) en el interior de la hoja de la trituradora. Ver Figura 20. Sostenga la llave Allen quieta y gire la llave de tubo (o cubo) para aflojar la tuerca.

- Saque el perno hexagonal, la arandela de seguridad y la arandela plana para liberar totalmente la hoja de la trituradora.

**IMPORTANTE:** Cuando afile la hoja para volver a usarla, siga el ángulo original de molido como guía. Es de suma importancia que cada extremo de corte sea desbastado de igual manera para evitar que la hoja quede desequilibrada.

Si la hoja está desequilibrada producirá una vibración excesiva cuando gire a alta velocidad y puede dañar la unidad. Se puede probar si la hoja está equilibrada insertando un destornillador a través de su orificio central. Saque el metal del lado pesado hasta que quede bien balanceada.

**IMPORTANTE:** Cuando vuelva a montar la hoja ajuste el bulón central con un par de torsión de entre 45 y 60 pies-libras y los dos bulones exteriores con un par de torsión de entre 20 y 25 pies.-libras.

## Ajuste del carburador

El carburador de este motor es de baja emisión. Está equipado con una válvula no ajustable de mezcla al vacío y con regulación a marcha mínima. La regulación a velocidad mínima y la velocidad máxima han sido configuradas en la fábrica. Si es necesario realizar ajustes, consulte un centro de servicios técnicos de Sears.

**NOTA:** Los motores operados a aproximadamente 3000 a 5000 pies (900 a 1500 metros) sobre el nivel del mar, podrían requerir una espree de carburador para gran altura. Si se observa un funcionamiento errático, comuníquese con un centro de servicios técnicos de Sears para conocer el costo de instalar / adquirir una espree de carburador para gran altura.

# ALMACENAMIENTO

## Cortadora trituradora

- Limpie el equipo por completo.
- Limpie el equipo con un trapo con aceite para evitar que se oxide.
- Almacene la unidad en una zona limpia y seca. No la almacene cerca de materiales corrosivos como por ejemplo fertilizantes.

## Motor

Los motores que se almacenen por más de 30 días necesitan de una atención especial.

1. Para evitar que se acumulen residuos en el sistema de combustible o en las piezas fundamentales del carburador:
  - a. Si el tanque de combustible contiene gasolina oxigenada o reformulada (gasolina mezclada con alcohol o éter) ponga en marcha el motor hasta que se detenga por falta de combustible o
  - b. si el depósito de combustible contiene gasolina, haga funcionar el motor hasta que se detenga por falta de combustible o agregue aditivo para gasolina a la que se encuentra en el tanque. Si usa un aditivo para gasolina, deje el motor en marcha por varios minutos para hacer circular el aditivo por el carburador. Luego, el motor y el combustible se pueden almacenar por hasta 24 meses.

2. Cambie el aceite mientras el motor está todavía caliente.
3. Retire la bujía y vierta cerca de una (1) onza (30 ml) de aceite para motor en el cilindro. Vuelva a colocar la bujía y de marcha al motor lentamente para distribuir el aceite.
4. Limpie el motor de desechos superficiales, grasa o césped.
5. Almacénela en un área despejada y seca.



**ADVERTENCIA:** No la almacene en el mismo lugar donde se encuentren estufas, hornos, calentadores de agua u otros aparatos que usen piloto u otro mecanismo de producción de chispa.

# GUÍA PARA LA SOLUCIÓN DE PROBLEMAS

Problema	Causa	Remedio
El motor no arranca	<ol style="list-style-type: none"> <li>1. Se ha desconectado el cable de la bujía.</li> <li>2. El tanque de combustible está vacío o el combustible es viejo.</li> <li>3. La palanca de control del regulador no está en la posición de arranque correcta.</li> <li>4. La palanca de obturación no está en la posición CHOKE (obturación).</li> <li>5. El motor no está cebado.</li> <li>6. La línea del combustible está bloqueada.</li> <li>7. La bujía no funciona correctamente.</li> </ol>	<ol style="list-style-type: none"> <li>1. Conecte el cable a la bujía.</li> <li>2. Llene el tanque con gasolina limpia y fresca.</li> <li>3. Mueva la palanca del regulador a la posición FAST (rápido).</li> <li>4. Ponga la palanca de obturación en la posición CHOKE (obturación).</li> <li>5. Ceba el motor.</li> <li>6. Limpie la línea del combustible.</li> <li>7. Límpiela, ajuste la distancia disruptiva o cámbiela.</li> </ol>
El motor funciona de manera errática	<ol style="list-style-type: none"> <li>1. El cable de la bujía está flojo.</li> <li>2. La unidad está funcionando en la posición CHOKE (obturación).</li> <li>3. La línea del combustible está tapada o el mismo es viejo.</li> <li>4. Agua o suciedad en el sistema del combustible.</li> <li>5. El depurador de aire está sucio.</li> <li>6. Es necesario ajustar el carburador.</li> </ol>	<ol style="list-style-type: none"> <li>1. Conecte y ajuste el cable de la bujía.</li> <li>2. Cambie la palanca de obturación a la posición OFF (apagado).</li> <li>3. Limpie la línea del combustible; llene el tanque con gasolina limpia y fresca</li> <li>4. Vacíe el tanque del combustible. Vuelva a llenarlos con combustible limpio.</li> <li>5. Limpie o cambie el filtro de aire.</li> <li>6. Consulte al distribuidor autorizado para el mantenimiento.</li> </ol>
Demasiada vibración	<ol style="list-style-type: none"> <li>1. Hay partes que están flojas o el motor está dañado.</li> <li>2. La/s hoja/s están dañadas o no están adecuadamente afiladas.</li> </ol>	<ol style="list-style-type: none"> <li>1. Consulte al centro de servicios técnicos de Sears</li> <li>2. Reemplace o afile la/s hoja/s.</li> </ol>
El motor recalienta	<ol style="list-style-type: none"> <li>1. El nivel de aceite del motor es bajo.</li> <li>2. El filtro de aire está sucio.</li> <li>3. El carburador no está ajustado correctamente.</li> </ol>	<ol style="list-style-type: none"> <li>1. Llene el cárter con aceite adecuado.</li> <li>2. Limpie o cambie el filtro de aire.</li> <li>3. Consulte al centro de servicios técnicos de Sears</li> </ol>
Saltos ocasionales (duda) a alta velocidad	<ol style="list-style-type: none"> <li>1. La distancia disruptiva de la bujía es muy poca.</li> </ol>	<ol style="list-style-type: none"> <li>1. Ajuste la distancia disruptiva a 0.030" (0.76 mm).</li> </ol>
La unidad no descarga	<ol style="list-style-type: none"> <li>1. El canal de descarga está tapado.</li> <li>2. Hay un objeto extraño en el motor.</li> <li>3. RPM del motor son bajas.</li> </ol>	<ol style="list-style-type: none"> <li>1. Detenga el motor de inmediato y desconecte el cable de la bujía. Limpie la pantalla de desgranado y el interior de la abertura de descarga.</li> <li>2. Detenga el motor y desconecte el cable de la bujía. Saque el objeto extraño del motor.</li> <li>3. Siempre accione el motor con el regulador al máximo.</li> </ol>
Tasa de descarga se reduce de manera considerable o cambia la composición del material descargado.	<ol style="list-style-type: none"> <li>1. RPM del motor son bajas.</li> <li>2. Las hojas de la cortadora y la de la trituradora está desafiladas.</li> </ol>	<ol style="list-style-type: none"> <li>1. Siempre haga funcionar el motor con el regulador en la posición FAST (rápido).</li> <li>2. Reemplace las hojas o consulte a su centro de servicios técnicos de Sears.</li> </ol>

**NOTA:** Si debe realizar reparaciones más importantes que las enunciadas anteriormente, por favor, comuníquese con el centro local de servicios técnicos de Sears.

**Sears, Roebuck and Co., U.S.A. (Sears), Junta de Recursos Ambientales de California (CARB) y Agencia de Protección Ambiental de los Estados Unidos (U.S. EPA)**

**Declaración de la Garantía del Sistema de Control de Emisiones (Derechos y Obligaciones del Propietario de la Garantía de Defectos)**

LA COBERTURA DE LA GARANTÍA DEL CONTROL DE EMISIONES ES APLICABLE A LOS MOTORES CERTIFICADOS QUE HAYAN SIDO COMPRADOS EN CALIFORNIA A PARTIR DE 1995 Y DESPUÉS DE ESTA FECHA, LOS CUALES SEAN USADOS EN

CALIFORNIA, Y PARA LOS MOTORES CERTIFICADOS MODELOS 1997 EN ADELANTE QUE SEAN COMPRADOS Y USADOS EN OTRA PARTE DE LOS ESTADOS UNIDOS (Y A PARTIR DE ENERO 1 DE 2001 EN CANADA).

**Declaración de la Garantía de Defectos del Sistema de Control de Emisiones de California, Estados Unidos y Canadá**

La Junta de Recursos Ambientales (CARB), La Agencia de Protección Ambiental de los Estados Unidos U.S. EPA y Sears se complacen en explicarles la Garantía del Sistema de Control de Emisiones de su motor pequeño modelo 2000 en adelante para uso en terrenos sin pavimento (SORE). En California, los nuevos motores pequeños para uso en terrenos sin pavimento deben ser diseñados, fabricados y equipados para cumplir los rigurosos estándares anti-smog del Estado. En cualquier otra parte de los Estados Unidos, los nuevos motores de encendido por chispa para no uso en carreteras modelos 1997 y posteriores, deben cumplir estándares similares a los establecidos por la Agencia de Protección Ambiental de los Estados Unidos (U.S. EPA). Sears debe garantizar el sistema de control de emisiones en su motor por los periodos de tiempo listados

abajo, teniendo en cuenta que no haya habido abuso, negligencia o mantenimiento no apropiado en su motor pequeño para uso en terrenos sin pavimento.

Su sistema de control de emisiones incluye partes tales como el carburador, el filtro de aire, el sistema de encendido, el mofle y el convertidor catalítico. También puede incluir conectores y otros conjuntos relacionados con el sistema de emisiones.

Siempre que exista una condición de garantía, Sears reparará el motor pequeño para uso en terrenos sin pavimento sin ningún costo para usted incluyendo el diagnóstico, las partes y la mano de obra.

**Cobertura de la Garantía de Defectos del Sistema de Control de Emisiones Briggs & Stratton**

Los motores pequeños para uso en terrenos sin pavimento se garantizan relativo a los defectos de las partes del sistema de control de emisiones durante un período de dos años, sujeto a las

provisiones establecidas abajo. Si alguna de las partes bajo cobertura en su motor se encuentra defectuosa, la parte será reparada o reemplazada por Sears.

**Responsabilidades del Propietario de la Garantía**

Como propietario de un motor pequeño para uso en terrenos sin pavimento, usted es responsable de que se lleve a cabo el mantenimiento requerido el cual se indica en sus Instrucciones de Mantenimiento y Operación. Sears le recomienda guardar todos sus recibos que cubran el mantenimiento en su motor pequeño para uso en terrenos sin pavimento, pero Sears no solo puede negar la garantía por la falta de recibos sino por su omisión al asegurar la realización de todo el mantenimiento programado.

negligencia, mantenimiento incorrecto o modificaciones no aprobadas

Usted es responsable de presentar su motor pequeño para uso en terrenos sin pavimento a un Distribuidor de Servicio Autorizado Sears tan pronto se presente el problema. Las reparaciones bajo garantía indisputables deben completarse en un período de tiempo razonable que no se exceda de 30 días. Si usted tiene algunas preguntas relacionadas con los derechos y responsabilidades de la garantía, debe contactar a un Representante de Servicio Sears marcando el teléfono: 1-414-259-5262.

La garantía de emisiones es una garantía de defectos. Los defectos son juzgados en el desempeño normal de un motor. La garantía no está relacionada con una prueba de emisiones en uso.

**Provisiones de la Garantía de Defectos del Sistema de Control de Emisiones Briggs & Stratton**

Las siguientes son provisiones específicas relativas a la Cobertura de la Garantía de Defectos del Sistema de Control de Emisiones. Es una adición de la garantía del motor Sears para los motores no-regulados encontrados en las Instrucciones de Mantenimiento y Operación.

- Partes Garantizadas**  
La cobertura bajo esta garantía se extiende únicamente a las partes listadas abajo (partes de los sistemas de control de emisiones) hasta la extensión que estas partes fueron presentadas en el motor comprado.
  - Sistema de Medición de Combustible
    - Sistema de Enriquecimiento de Arranque en Frío (estrangulación suave)
    - Carburador y Partes Internas
    - Bomba de Combustible
  - Sistema de Inducción de Aire
    - Filtro de Aire
    - Múltiple de Admisión
  - Sistema de Encendido
    - Bujía(s)
    - Sistema de Encendido con Magneto
  - Sistema Catalizador
    - Convertidor Catalítico
    - Múltiple de Escape
    - Sistema de Inyección de Aire o Válvula de Pulsación
  - Items Varios Usados en los Sistemas Anteriores
    - Vacío, Temperatura, Posición, Válvulas Sensitivas de Tiempo y Suiches
    - Conectores y Conjuntos
- Duración de la Cobertura**  
Sears garantiza al propietario inicial y a cada comprador subsecuente que las Partes Garantizadas estarán libres de defectos en materiales y mano de obra la cual haya ocasionado fallas de las Partes Garantizadas por un período de dos años a partir de la fecha en que es entregado el motor a un comprador detallista.

- Sin Costo**  
La reparación o cambio de cualquier Parte Garantizada se llevará a cabo sin costo alguno para el propietario, incluyendo la labor de diagnóstico la cual conduce a la determinación de que esa Parte Garantizada es defectuosa, si el trabajo de diagnóstico es realizado en un Centro de Servicio Autorizado Sears. Para servicio de garantía de emisiones contacte su Centro de Servicio Autorizado Sears más cercano listado en las "Páginas Amarillas" bajo "Motores, Gasolina", "Motores a Gasolina", "Máquinas Cortacésped" o en una categoría similar.
- Reclamos y Exclusiones de la Cobertura**  
Los reclamos de la garantía se completarán de acuerdo con las provisiones de la Póliza de Garantía del Motor Sears. La cobertura de la garantía estará excluida para fallas de las Partes Garantizadas las cuales no sean partes originales Sears o por abuso, negligencia o mantenimiento incorrecto según se establece en la Póliza de Garantía del Motor Sears. Sears no se hace responsable de cubrir fallas de Partes Garantizadas ocasionadas por el uso de adición de partes, partes no-originales o partes modificadas.
- Mantenimiento**  
Cualquier parte garantizada la cual no esté programada para cambio al realizar el mantenimiento requerido o la cual esté programada únicamente para una inspección regular por el efecto de "repare o cambie si es necesario" se garantizará por defectos durante el período de la garantía. Cualquier Parte Garantizada la cual esté programada para cambio por el mantenimiento requerido se garantizará únicamente por defectos durante el período de tiempo hasta el primer cambio programado para esa parte. Cualquier repuesto que sea equivalente en desempeño y durabilidad puede ser usado al llevar a cabo toda tarea de mantenimiento o reparación. El propietario es responsable de la realización de todo el mantenimiento requerido, según se define en las Instrucciones de Mantenimiento y Operación Sears.
- Cobertura Consecuente**  
La cobertura aquí establecida se extenderá hasta la falla de cualquiera de los componentes del motor ocasionada por la falla de cualquier Parte Garantizada que aún se encuentre bajo garantía.

**Busque el Período de Durabilidad de Emisiones y la Información del Índice de Aire Pertinentes en su Etiqueta de Emisiones del Motor**

Los motores que son certificados para cumplir con las Normas de Emisiones Etapa 2 de la Junta de Recursos Ambientales de California (CARB) deben mostrar la información referente al Período de Durabilidad de Emisiones y al Índice de Aire. Sears, Roebuck and Co., U.S.A. hace que esta información esté disponible para el consumidor en nuestras etiquetas de emisiones. La etiqueta del motor indicará la información de certificación.

El **Período de Durabilidad de Emisiones** describe el número de horas del tiempo real de operación para el cual está certificado el motor por cumplir con las emisiones, asumiendo un mantenimiento apropiado de acuerdo con las instrucciones de Mantenimiento y Operación. Se utilizan las siguientes categorías:

**Moderado:** El motor es certificado para cumplir con las emisiones durante 125 horas del tiempo real de operación del motor.

**Intermedio:** El motor es certificado para cumplir con las emisiones durante 250 horas del tiempo real de operación del motor.

**Prolongado:** El motor es certificado para cumplir con las emisiones durante 500 horas del tiempo real de operación del motor.

Por ejemplo, una máquina cortacésped de arrastrar típica es usada de 20 a 25 horas por año. Por lo tanto, el **Período de Durabilidad de Emisiones** de un motor con una clasificación **intermedia** se igualaría de 10 a 12 años.

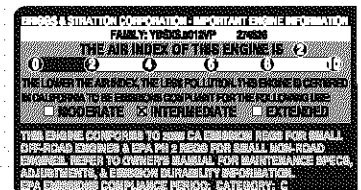
El **Índice de Aire** es un número calculado que describe el nivel relativo de emisiones para una familia específica de motores. Mientras más bajo sea el **Índice de Aire**, más limpio será el motor. Esta información es mostrada en forma gráfica en la etiqueta de emisiones.

**Después de Julio 1, 2000, Busque el Período de Conformidad de Emisiones en la Etiqueta de Conformidad de Emisiones del Motor**

Después de Julio 1, 2000 ciertos motores Sears, Roebuck and Co., U.S.A. estarán certificados por cumplir con las normas de emisiones Fase 2 de la Agencia de Protección Ambiental de los Estados Unidos (USEPA). Para los motores certificados Fase 2, el Período de Conformidad de Emisiones al cual se refiere la Etiqueta de Conformidad de Emisiones indica el número de horas de operación para las cuales el motor ha demostrado que cumple con los requerimientos Federales de emisiones. Para motores con un desplazamiento inferior a 225 cc, Categoría C= 125 horas, B= 250 horas y A= 500 horas. Para motores con un desplazamiento de 225 cc o superior, Categoría C = 250 horas, B = 500 horas y A = 1000 horas.

El desplazamiento de los motores Modelos Serie 210000 es 344 cc.  
El desplazamiento de los motores Modelos Serie 280000 es 465 cc.  
El desplazamiento de los motores Modelos Serie 310000 es 501 cc.

**Esta es una representación genérica de una etiqueta de emisiones típicamente encontrada en un motor certificado.**



## Repair Protection Agreements

Congratulations on making a smart purchase. Your new Craftsman® product is designed and manufactured for years of dependable operation. But like all products, it may require repair from time to time. That's when having a Repair Protection Agreement can save you money and aggravation.

Purchase a Repair Protection Agreement now and protect yourself from unexpected hassle and expense.

Here's what's included in the Agreement:

- ✓ **Expert service** by our 12,000 professional repair specialists
- ✓ **Unlimited service and no charge** for parts and labor on all covered repairs
- ✓ **Product replacement** if your covered product can't be fixed
- ✓ **Discount of 10%** from regular price of service and service-related parts not covered by the agreement; also, 10% off regular price of preventive maintenance check

**Fast help by phone** – phone support from a Sears technician on products requiring in-home repair, plus convenient repair scheduling

Once you purchase the Agreement, a simple phone call is all that it takes for you to schedule service. You can call anytime day or night, or schedule a service appointment online.

Sears has over 12,000 professional repair specialists, who have access to over 4.5 million quality parts and accessories. That's the kind of professionalism you can count on to help prolong the life of your new purchase for years to come. Purchase your Repair Protection Agreement today!

Some limitations and exclusions apply. For prices and additional information call 1-800-827-6655.

Sears Installation Service

For Sears professional installation of home appliances, garage door openers, water heaters, and other major home items, in the U.S.A. call **1-800-4-MY-HOME®**

## Acuerdo De Protección Para Reparaciones

Felicitaciones por haber realizado una adquisición inteligente. El producto Craftsman® que ha adquirido está diseñado y fabricado para brindar muchos años de funcionamiento confiable. Pero como todos los productos a veces puede requerir de reparaciones. Es en ese momento cuando el disponer de un Acuerdo de protección para reparaciones le puede ahorrar dinero y problemas. Adquiera ahora un Acuerdo de protección para reparaciones y protéjase de problemas y gastos inesperados. A continuación se detallan los puntos incluidos en el Acuerdo:

- ✓ **Servicio experto** prestado por nuestros 12.000 especialistas en reparaciones profesionales
- ✓ **Servicio ilimitado sin cargo** para las piezas y la mano de obra en todas las reparaciones cubiertas
- ✓ **Reemplazo del producto** isi no es posible reparar el producto cubierto
- ✓ **Descuento de 10%** del precio normal del servicio y de las piezas relacionadas con el mismo que no estén cubiertas por el acuerdo; además, 10% del precio normal de la verificación de mantenimiento preventivo

**Ayuda rápida por teléfono** – asistencia telefónica a cargo de un técnico de Sears para los productos que requieren reparación a domicilio además de una programación conveniente para la reparación

Una vez adquirido el Acuerdo, puede programar el servicio con tan sólo realizar una llamada telefónica. Puede llamar en cualquier momento del día o de la noche o programar un servicio en línea.

Sears dispone de más de 12.000 especialistas en reparaciones profesionales que tienen acceso a más de 4.5 millones de piezas y accesorios de buena calidad. Este es el tipo de profesionalismo en el que puede confiar para que le ayude a prolongar la vida útil del producto recientemente adquirido en los años por venir. ¡Adquiera hoy su acuerdo de protección para reparaciones!

Se aplican determinadas limitaciones y exclusiones. Por precios e información adicional llame al 1-800-827-6655. Sears Installation Service (servicio de instalaciones de Sears). Si desea solicitar la instalación profesional de Sears de aparatos domésticos, dispositivos para abrir portones, calentadores de agua y otros artículos domésticos importantes, en los Estados Unidos llame al **1-800-4-MY-HOME®**

# Get it fixed, at your home or ours!

## Your Home

For repair – **in your home** – of **all** major brand appliances, lawn and garden equipment, or heating and cooling systems, **no matter who made it, no matter who sold it!**

For the replacement parts, accessories and owner's manuals that you need to do-it-yourself.

For Sears professional installation of home appliances and items like garage door openers and water heaters.

**1-800-4-MY-HOME<sup>®</sup>** (1-800-469-4663)

Call anytime, day or night (U.S.A. and Canada)

[www.sears.com](http://www.sears.com)    [www.sears.ca](http://www.sears.ca)

---

## Our Home

For repair of carry-in items like vacuums, lawn equipment, and electronics, call or go on-line for the location of your nearest **Sears Parts & Repair Center.**

**1-800-488-1222**

Call anytime, day or night (U.S.A. only)

[www.sears.com](http://www.sears.com)

---

To purchase a protection agreement (U.S.A.) or maintenance agreement (Canada) on a product serviced by Sears:

**1-800-827-6655** (U.S.A.)

**1-800-361-6665** (Canada)

---

Para pedir servicio de reparación a domicilio, y para ordenar piezas:

**1-888-SU-HOGAR<sup>SM</sup>**  
(1-888-784-6427)

Au Canada pour service en français:

**1-800-LE-FOYER<sup>MC</sup>**  
(1-800-533-6937)  
[www.sears.ca](http://www.sears.ca)

# SEARS



## Free Manuals Download Website

<http://myh66.com>

<http://usermanuals.us>

<http://www.somanuals.com>

<http://www.4manuals.cc>

<http://www.manual-lib.com>

<http://www.404manual.com>

<http://www.luxmanual.com>

<http://aubethermostatmanual.com>

Golf course search by state

<http://golfingnear.com>

Email search by domain

<http://emailbydomain.com>

Auto manuals search

<http://auto.somanuals.com>

TV manuals search

<http://tv.somanuals.com>