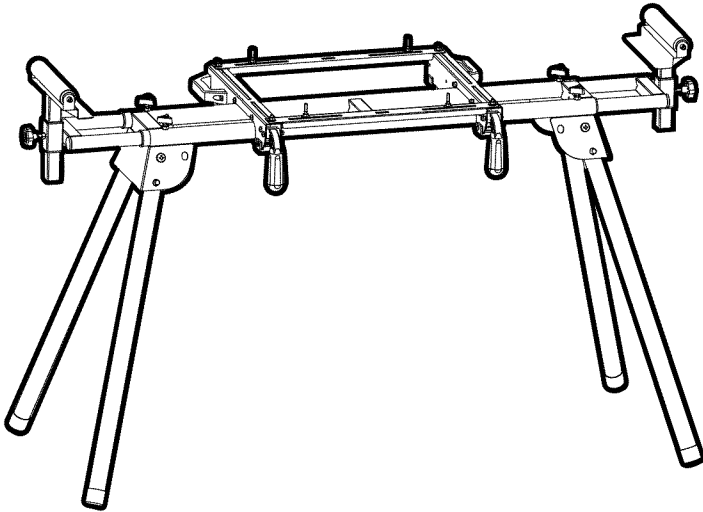


Operator's Manual

CRAFTSMAN®

MITER SAW STAND WITH ROLLER EXTENSIONS

Model No. 320.16491



▲ WARNING: To reduce the risk of injury, the user must read and understand the Operator's Manual before using this product.

▲ WARNING: To reduce the risk of injury, the user must always read and follow all instructions in the bench top tool operating manual before mounting the tool to this stand.

- WARRANTY
- SAFETY
- ASSEMBLY
- OPERATION
- MAINTENANCE
- ESPAÑOL

Sears Brands Management Corporation, Hoffman Estates,
IL 60179 U.S.A.

www.craftsman.com

TABLE OF CONTENTS

Warranty	Page 2
Safety Symbols	Pages 4-5
Safety Instructions	Page 6
Description	Page 7
Assembly	Pages 7-8
Operation	Pages 9-13
Maintenance	Page 13
Parts List	Pages 14-16

CRAFTSMAN ONE YEAR FULL WARRANTY

FOR ONE YEAR from the date of purchase, this product is warranted against any defects in material or workmanship. A defective product will be replaced free of charge.

For warranty coverage details to obtain free replacement, visit the web site: www.craftsman.com

This warranty is void if this product is ever used while providing commercial services or if rented to another person.

This warranty gives you specific legal rights, and you may also have other rights which vary from state to state.

Sears Brands Management Corporation, Hoffman Estates, IL 60179

This miter saw stand has many features for making its use more pleasant and enjoyable. Safety, performance, and dependability have been given top priority in the design of this product, making it easy to maintain and operate.

SAVE THESE INSTRUCTIONS!

READ ALL INSTRUCTIONS!

⚠ WARNING: Some dust created by power sanding, sawing, grinding, drilling and other construction activities contains chemicals known to the state of California to cause cancer, birth defects or other reproductive harm. Some examples of these chemicals are:

- Lead from lead-based paints,
- Crystalline silica from bricks and cement and other masonry products, and
- Arsenic and chromium from chemically-treated lumber.

Your risk from these exposures varies, depending on how often you do this type of work. To reduce your exposure to these chemicals: work in a well ventilated area, and work with approved safety equipment, such as those dust masks that are specially designed to filter out microscopic particles.

The purpose of safety symbols is to attract your attention to possible dangers. The safety symbols and the explanations with them deserve your careful attention and understanding. The symbol warnings do not, by themselves, eliminate any danger. The instructions and warnings they give are no substitutes for proper accident prevention measures.

SAFETY SYMBOLS

⚠ WARNING: Be sure to read and understand all safety instructions in this Operator's Manual, including all safety alert symbols such as "**DANGER**," "**WARNING**," and "**CAUTION**" before using this tool. Failure to following all instructions listed below may result in electric shock, fire, and/or serious personal injury.

SYMBOL MEANING

SAFETY ALERT SYMBOL: Indicates **DANGER, WARNING, OR CAUTION**. May be used in conjunction with other symbols or pictographs.

⚠ DANGER: Indicates an imminently hazardous situation, which, if not avoided, will result in death or serious injury.

⚠ WARNING: Indicates a potentially hazardous situation, which, if not avoided, could result in death or serious injury.

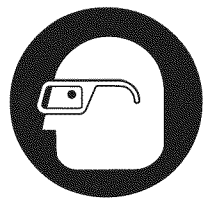
⚠ CAUTION: Indicates a potentially hazardous situation, which, if not avoided, could result in minor or moderate injury.

Damage Prevention and Information Messages

These inform the user of important information and/or instructions that could lead to equipment or other property damage if they are not followed. Each message is preceded by the word "NOTICE," as in the example below:

NOTICE: Equipment and/or property damage may result if these instructions are not followed.







⚠ WARNING: To ensure safety and reliability, all repairs should be performed by a qualified service technician.



⚠ WARNING: The operation of any power tools can result in foreign objects being thrown into your eyes, which can result in severe eye damage. Before beginning power tool operation, always wear safety goggles or safety glasses with side shield and a full face shield when needed. We recommend a Wide Vision Safety Mask for use over eyeglasses or standard safety glasses with side shields. Always use eye protection which is marked to comply with ANSI Z87.1.

SAVE THESE INSTRUCTIONS

Some of the following symbols may be used on this tool. Please study them and learn their meaning. Proper interpretation of these symbols will allow you to operate the tool better and more safely.

SYMBOL	NAME	DESIGNATION/EXPLANATION
V	Volts	Voltage
A	Amperes	Current
Hz	Hertz	Frequency (cycles per second)
W	Watt	Power
min	Minutes	Time
	Alternating Current	Type of current
	Direct Current	Type or a characteristic of current
n_0	No Load Speed	Rotational speed, at no load
	Class II Construction	Double-insulated construction
.../min	Per Minute	Revolutions, strokes, surface speed, orbits, etc., per minute
	Wet Conditions Alert	Do not expose to rain or use in damp locations.
	Read The Operator's Manual	To reduce the risk of injury, user must read and understand operator's manual before using this product.
	Eye Protection	Always wear safety goggles or safety glasses with side shields and a full face shield when operating this product.
	Safety Alert	Precautions that involve your safety.
	No-Hands Symbol	Failure to keep your hands away from the blade will result in serious personal injury.
	No-Hands Symbol	Failure to keep your hands away from the blade will result in serious personal injury.
	No-Hands Symbol	Failure to keep your hands away from the blade will result in serious personal injury.
	No-Hands Symbol	Failure to keep your hands away from the blade will result in serious personal injury.
	Hot Surface	To reduce the risk of injury or damage, avoid contact with any hot surface.

SAFETY INSTRUCTIONS

GENERAL POWER TOOL SAFETY WARNINGS

⚠ WARNING: Read and understand all instructions. Failure to follow all instructions in this Operator's Manual may result in electric shock, fire, and/or serious personal injury.

Save all warnings and instructions for future reference.

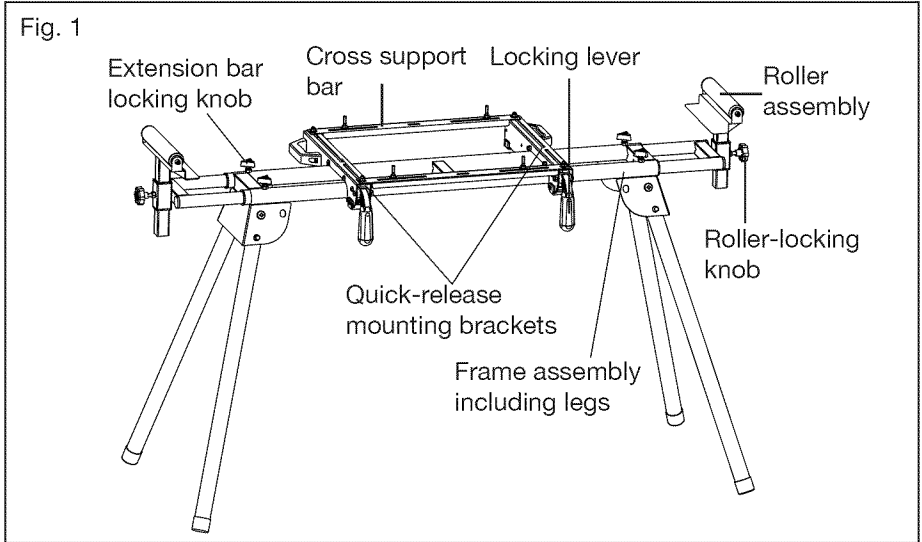
READ AND SAVE THESE INSTRUCTIONS

⚠ CAUTION: Do not modify the stand or use it for any application other than that for which it was designed.

- **Know your stand.** Do not attempt to assemble or operate your miter saw stand until you have read the safety instructions in this section.
- **Only use your miter saw stand on a hard, dry and flat surface.**
- **Keep your work area clean and well lit.** Cluttered or dark areas invite accidents.
- **Do not overreach.** Keep proper footing and balance at all times.
- **Do not load the miter saw stand with more than 330 lbs.**
- **Store properly.** Do not store the miter saw stand outdoors or in a damp location.
- **Do not stand or climb on miter saw stand.** It could tip over, causing serious injury.
- **Do not permit children to use the stand unsupervised.** It is not a toy.
- **Be sure that all locking pins are in the set-up position holes before using your miter saw and miter saw stand.**
- **Take care when moving the stand, especially when a miter saw is mounted.**
- **Dress properly.** Do not wear loose clothing or jewelry. Keep your hair, clothing and gloves away from moving parts. Loose clothes, jewelry or long hair can be caught in moving parts. Always wear non-slip footwear. Tie back long hair. Roll long sleeves above the elbow.
- **Always firmly attach the miter saw used with this stand.** Do not attempt to use your miter saw stand until the miter saw is fastened firmly.
- **Be aware of overbalancing.** When a large piece is cut from one end of a workpiece, the remaining piece may be heavy enough to cause the miter saw stand to tip over. Always ensure that the workpiece is well supported.
- **Always keep all guards in place.** Be sure that all power tool guards are in good working order and are in proper adjustment and alignment.
- **Always keep your hands away from the cutting area.**

DESCRIPTION

KNOW YOUR MITER SAW STAND (Fig. 1)



PRODUCT SPECIFICATIONS

Height	32-7/8 inches
Extended width	80 in.
Maximum Load Capacity	330 lbs
Weight	32.6 lbs

ASSEMBLY

⚠ WARNING: If any parts are broken or missing, do not attempt to operate the stand until the broken or missing part is replaced. Failure to do so could result in possible serious injury.

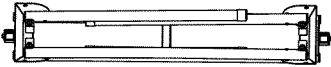
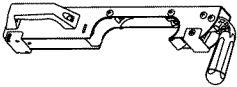

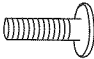



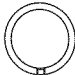
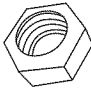


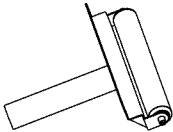
⚠ WARNING: Do not attempt to modify this stand or create accessories not recommended for use with this stand. Any such alteration or modification is misuse and could result in a hazardous condition leading to possible serious injury.

UNPACKING

- Carefully remove all the parts and accessories from the carton. Make sure that all items listed in the packing list are included.
- Inspect the stand carefully to make sure that no breakage or damage occurred during shipping.

- Do not discard the packing material until you have carefully inspected and satisfactorily operated the stand.
- If any parts are damaged or missing, please return the stand to the place of purchase.

PACKAGE CONTENTS AND HARDWARE

Item	Description	Quantity
A	 Frame assembly, including legs	1
B	 Quick-release mounting bracket	2
C	 Cross support bar	2
D	 Support-bar bolt	4
E	 Support-bar washer	4
F	 Mounting bolt	4
G	 Mounting washer	4
H	 Spring washer	8
I	 Nut	8
J	 Extension bar locking knob	4
K	 Roller-assembly locking knob	2
L	 Roller assembly	2

OPERATION

⚠ WARNING: Do not use this tool for scaffolding or as a ladder. Make sure to tighten all locking knobs and levers securely prior to use. Maximum capacity is 330 lbs. Power tools on the stand should not exceed a combined overall height of 60 inches from the floor.

SET UP THE STAND

1. Place the frame assembly with legs (A) upside down on a flat surface as shown in Fig. 2.
2. To open the top two legs, press the locking pins and rotate the legs until the locking pins snap into the open position and you hear a “click” to signal that the legs are locked in place (Fig. 3).
3. Open and lock the other two legs the same way.
4. Place the frame assembly on a flat surface as shown in Fig. 4.

MOUNTING A MITER SAW

⚠ WARNING: Failure to unplug the tool before attaching it to the stand could result in accidental starting and possibly serious personal injury.

⚠ WARNING: To avoid serious personal injury, always make sure that miter saws are fully supported and securely attached to a level work surface. If necessary, move the stand to a location where it will be more stable.

⚠ WARNING: Do not mount a table saw on this stand. The direction of feed on a table saw is perpendicular to the axis of stability on this stand. Aggressive feeding of sheet materials into a table saw could cause the stand to tip over.

Fig. 2

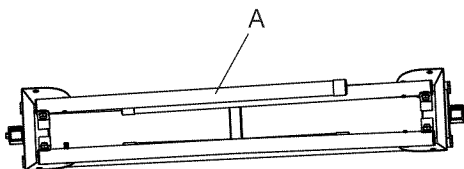


Fig. 3

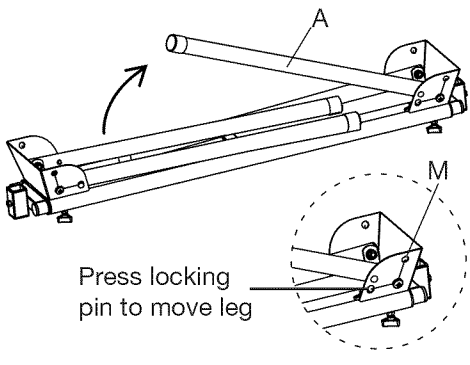
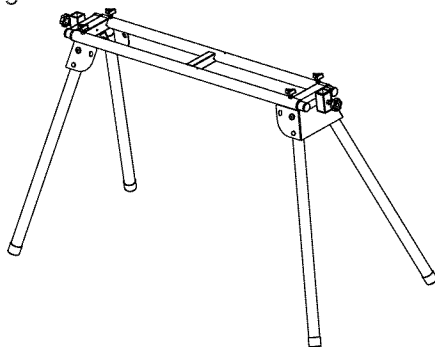


Fig. 4



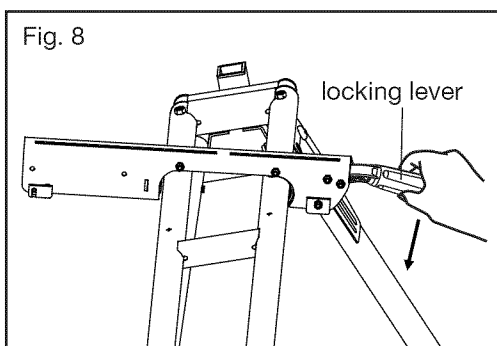
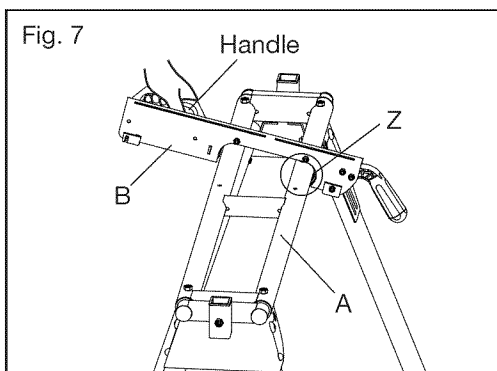
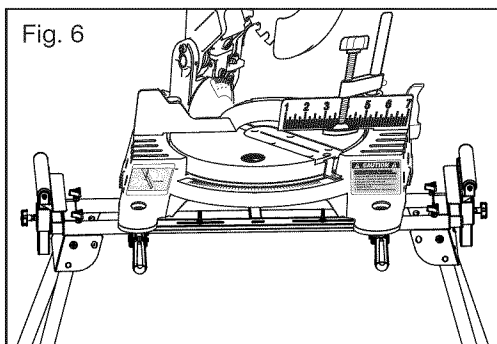
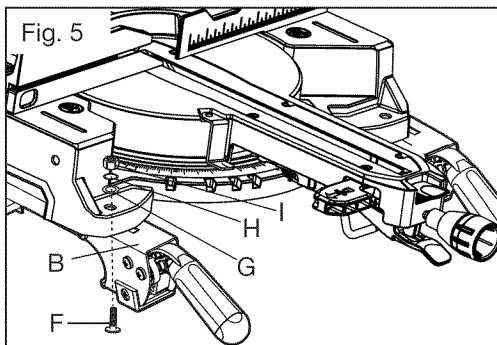
Mounting Standard Miter Saws To The Stand

NOTICE: This allows for the miter saws on which the 4 mounting holes form a rectangular pattern (most miter saws).

1. Mount your miter saw to the quick-release mounting brackets (B) using the miter saw mounting bolts (F), washers (G), spring washers (H) and locking nuts (I) (Fig. 5).
2. With the miter saw mounted on the quick-release mounting brackets, place the assembly on the work stand (Fig. 6).

INSTALLING THE QUICK-RELEASE MOUNTING BRACKETS

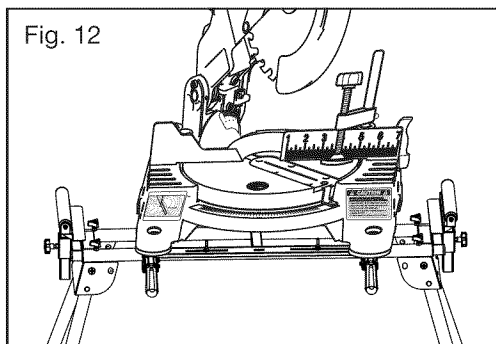
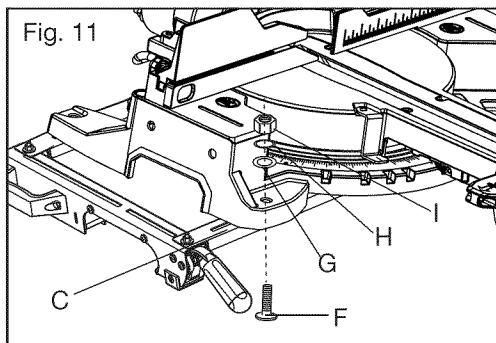
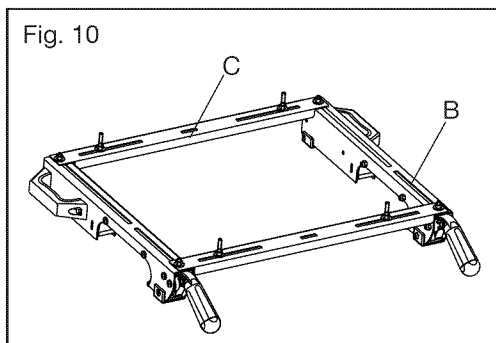
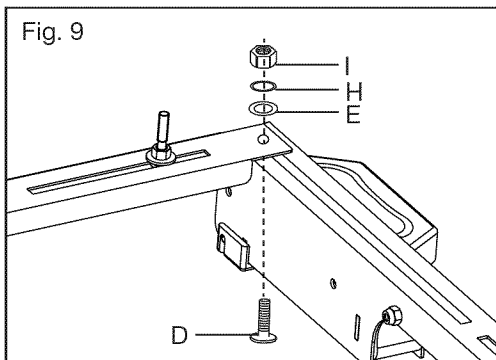
1. Hold the quick-release mounting bracket (B) by the handles.
2. Position the area designated "Z" in Fig. 7 on the frame assembly (A).
3. Press the handle down to mount the quick-release mounting brackets (B).
4. Tighten the locking lever to lock the mounting brackets (B) (Fig. 8).



Mounting Non-Standard Miter Saws

NOTICE: This configuration allows for miter saws on which the 4 mounting holes form a trapezoid pattern (some saws) and the those on which the 3 mounting holes form a triangular pattern (few saws).

1. Place the two support bars (C) on the mounting brackets (B). Use the support bar mounting bolts (D), washers (E), spring washers (H) and locking nuts (I) to pre-tighten the support bars (C) on the quick-release mounting brackets (B) (Figs. 9 and 10).
2. Position your miter saw with non-standard mounting holes on the cross support bars (C). Check the position and adjust the support bars slowly so that the mounting holes on miter saw are aligned with the slots on the cross support bars (Fig. 11).
3. Use the miter saw mounting bolts (F), washers (G), spring washers (H) and locking nuts (I) to securely tighten the saw to support bars (C).
4. Tighten the locking nuts (I) to fully tighten the support bar (C).
5. With the miter saw mounted on the quick-release mounting brackets (B), place the assembly onto the work stand (Fig. 12).
6. Attach the brackets to the stand. See Installing the Quick-Release Mounting Brackets section.



MOUNTING THE ROLLER ASSEMBLIES

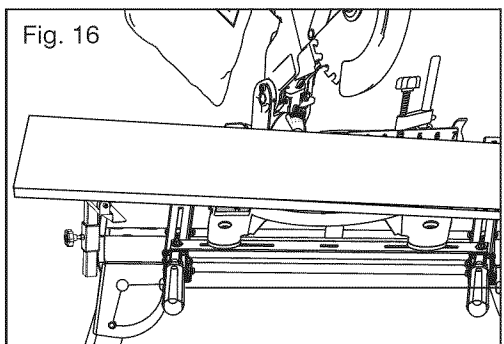
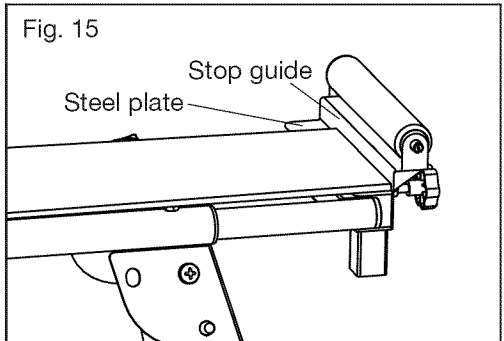
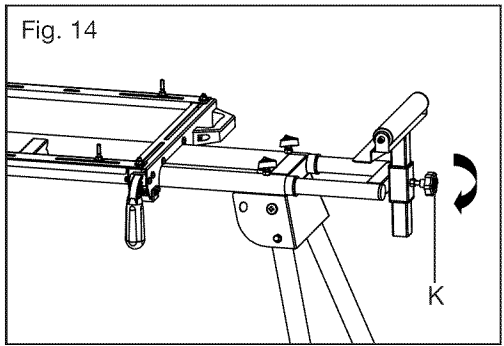
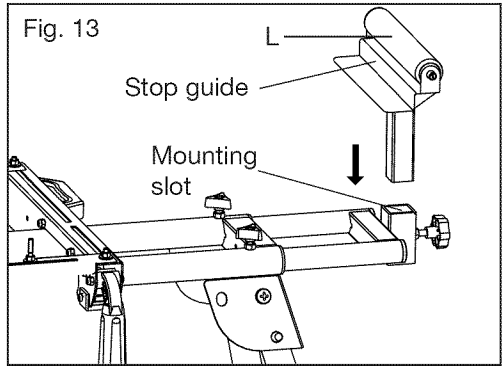
1. Insert the roller assemblies (L) into the mounting slots (Fig. 13).
2. Adjust the height of the roller assemblies (L) as needed.
3. Lock the roller assembly in position by tightening the locking knob (K) (Fig. 14).
4. The roller assemblies can also use as a stationary stop guide, and work as positive stops for repetitive cuts.

ROLLER OPERATION

When working on a long workpiece, the extension bars and rollers are needed.

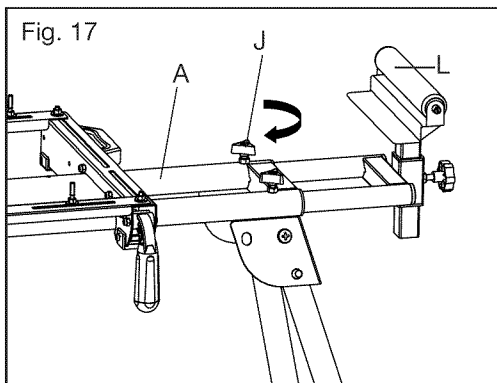
The roller can be used as a stop guide or a single directional roller.

- When using the roller as stop guide, place the workpiece against the plate; the roller assembly works as an stop guide to cut the workpieces to the length required (Fig. 15).
- When using the roller assembly as a single roller, place the workpiece on the roller for convenient operation (Fig. 16).



ADJUSTING THE EXTENSION BARS (Fig. 17)

1. Extend the extension bar to the required position to properly support the workpiece.
2. Fully tighten the two extension-bar locking knobs (J).



MAINTENANCE

⚠ WARNING: When servicing, use only identical replacement parts. Use of any other parts may create a hazard or cause product damage.

GENERAL MAINTENANCE

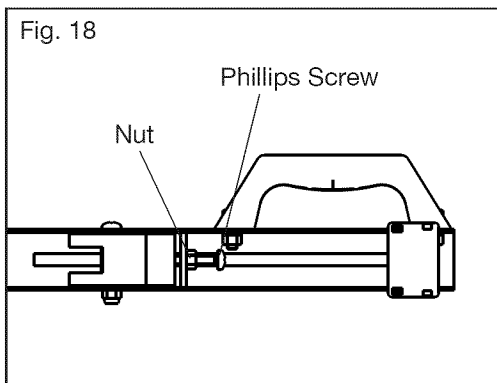
Avoid using solvents when cleaning plastic parts. Most plastics are susceptible to damage from various types of commercial solvents and may be damaged by their use. Use clean cloths to remove dirt, dust, oil, grease, etc.

⚠ WARNING: When servicing, use only identical replacement parts. Use of any other parts may create a hazard or cause product damage. To ensure safety and reliability, all repairs should be performed by a qualified service technician.

⚠ WARNING: Keep the miter saw stand dry, clean, and free from oil and grease. Always use a clean cloth when cleaning. Never use brake fluids, gasoline, petroleum based products or any strong solvent to clean the stand. Chemicals can damage, weaken or destroy plastic which may result in serious personal injury.

NOTICE: If the mounting bracket requires adjustment to mount securely on your stand:

- Release the nut by turning it counterclockwise.
- Tighten the Phillips Screw by turning it clockwise, and tighten the nut by turning it clockwise.

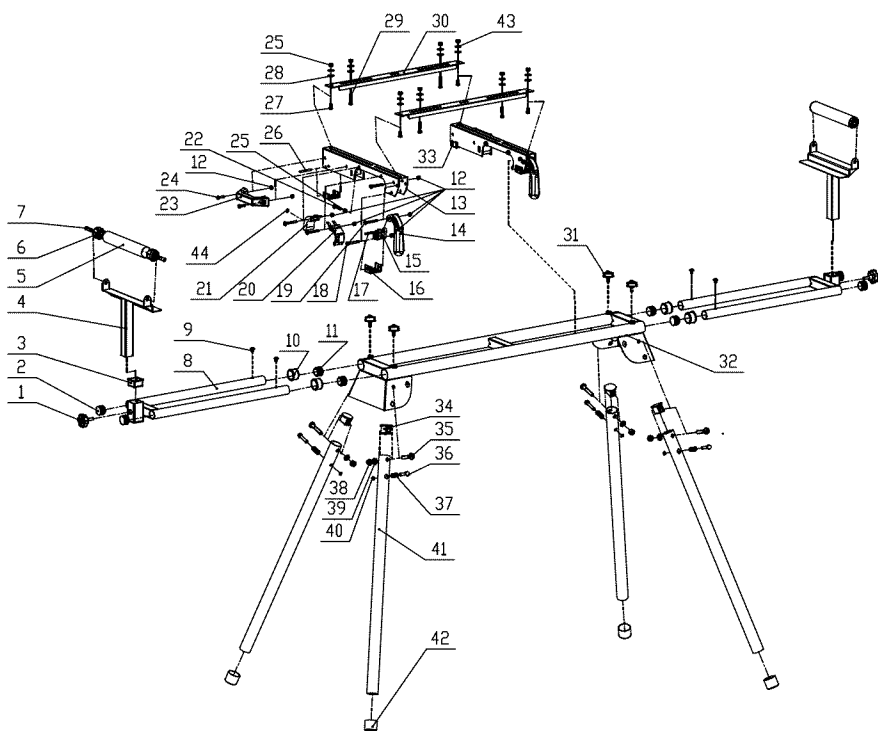


PARTS LIST

MITER SAW STAND MODEL NO. 320.16491

The Model Number will be found on the Nameplate attached to the frame of the miter saw stand. Always mention the Model Number when ordering parts for this tool.

To order parts, call 1-800-469-4663.



PARTS LIST

MITER SAW STAND MODEL NO. 320.16491

The Model Number will be found on the Nameplate attached to the frame of the miter saw stand. Always mention the Model Number when ordering parts for this tool.

To order parts, call 1-800-469-4663.

No	Part No	Part Name	QTY
1	1020211002	Hand Wheel	2
2	1021501001	Insert block	4
3	1020904001	Bushing	2
4	2050509006	Roller support	2
5	2040701003	Roller	2
6	1020505001	Cover	4
7	1010101002	Screw	4
8	2040504004	Extension bar	2
9	1010122025	Screw	4
10	1021504001	Block	4
11	1021501002	Block	4
12	1010202004	Nut	14
13	2040107005	Base assembly	2
14	1020103002	Locking lever	2
15	1020801002	Connector	2
16	1021601002	Square block	2
17	1010402011	Spring bolt	2
18	1010118005	Brazier head screw	8
19	1010118006	Brazier head screw	2
20	1029901002	Clamping block	2
21	1020701001	Fixed block	2
22	1010119002	Screw	2
23	1020102001	Handle	2
24	1010108006	Bolt	4
25	1010201004	Nut	10

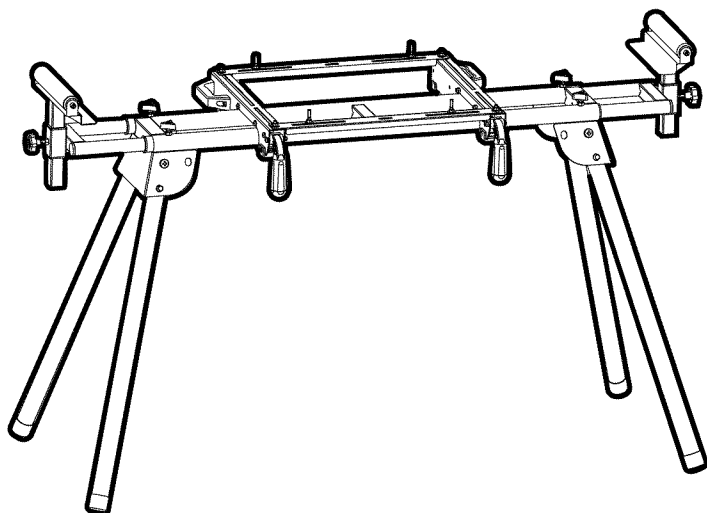
No	Part No	Part Name	QTY
26	1010402012	Spring bolt	2
27	1010103010	Support bar mounting bolt	4
28	1010301030	Support bar mounting washer	8
29	1010103009	Bolt	4
30	2040307001	Cross support bar	2
31	102102001	Screw	4
32	2040803001	Table base	1
33	1021601001	Square block	2
34	1021503001	Block	4
35	1010118004	Bolt	4
36	1010407001	Bolt	4
37	1010603017	Spring	4
38	1010202001	Nut	4
39	1010301001	Washer	4
40	1010602001	Shield ring	4
41	2040102001	Foot lever	4
42	1020906006	Footpad	4
43	1010303003	Spring washer	8
44	1010301007	Plain Washer	2

Manual del Propietario

CRAFTSMAN®

Estante para Sierra Ingletadora con Extensiones de Rodillo

Modelo N° 320.16491



▲ ADVERTENCIA: Para reducir el riesgo de lesiones, el usuario debe leer y comprender el Manual de Operación antes de usar este producto.

▲ ADVERTENCIA: Para reducir el riesgo de lesión, el usuario leer y seguir todas las instrucciones del manual de operación antes de montar la herramienta en este estante.

- GARANTÍA
- SEGURIDAD
- ENSAMBLAJE
- DESCRIPCIÓN
- OPERACIÓN
- MANTENIMIENTO
- ESPAÑOL

Sears Brands Management Corporation, Hoffman Estates,
IL 60179 U.S.A.

www.craftsman.com

TABLA DE CONTENIDOS

Garantía	Página 18
Símbolos de Seguridad	Páginas 20-21
Instrucciones de Seguridad	Páginas 22-23
Descripción	Página 23
Montaje	Páginas 24-25
Operación	Páginas 26-30
Mantenimiento	Página 30
Lista de Piezas	Páginas 31-33

GARANTÍA TOTAL DE UN AÑO DE CRAFTSMAN

POR UN AÑO después de la fecha de compra, este producto está garantizado por cualquier defecto de materiales o fabricación. Si cuenta con la prueba de compra, el producto defectuoso será reemplazado sin costo alguno.

Para detalles sobre la cobertura de garantía para obtener una devolución gratuita, visite la página web: www.craftsman.com

Esta garantía se anulará, si el producto ha sido usado mientras se proveía servicios comerciales o si se ha rentado a otra persona.

Esta garantía le otorga derechos legales específicos. Puede que usted tenga otros derechos que varíen de un Estado a otro.

Corporación Sears Brands Management, Hoffman Estates, IL 60179

Esta sierra de inglete tiene muchas características diseñadas para hacer su uso más placentero. Al diseñar este producto, se le ha otorgado máxima prioridad a la seguridad, el rendimiento y la confiabilidad, haciéndolo fácil de mantener y operar.

¡GUARDE ESTAS INSTRUCCIONES!

! LEA TODAS LAS INSTRUCCIONES!

⚠ ADVERTENCIA: Algunas partículas de polvo que se generan al lijar, serruchar, afilar, o perforar, con herramientas eléctricas, así como las actividades de construcción, contienen químicos que el estado de California reconoce como causantes de cáncer, nacimientos defectuosos u otros daños reproductivos. Algunos ejemplos de estos químicos son:

- Plomo de pinturas hechas a base de plomo
- Sílice cristalizado de ladrillos y cemento y otros productos de albañilería, y
- Arsenio y cromo de la madera tratada químicamente

El riesgo por el contacto con estos químicos, varía dependiendo de cuán frecuente realice este tipo de trabajo. Para reducir el contacto con estos químicos: trabaje en un área bien ventilada, y con equipo con seguridad aprobada; tales como máscaras para el polvo que estén especialmente diseñadas para filtrar las partículas microscópicas.

El propósito de los símbolos de seguridad es el de dirigir su atención hacia los peligros posibles. Los símbolos de seguridad y las explicaciones que los acompañan merecen una cuidadosa atención y entendimiento. Los símbolos de advertencia no eliminan los peligros por sí mismos. Las instrucciones y advertencias que proveen no son sustitutas de las medidas adecuadas de prevención de accidentes.

SIMBOLOS DE SEGURIDAD

⚠ ADVERTENCIA: Asegúrese de leer y comprender todas las instrucciones de seguridad en este manual de operación, incluyendo todos los símbolos de seguridad de alerta tales como “**PELIGRO**”, “**ADVERTENCIA**”, y “**PRECAUCIÓN**” antes de usar esta herramienta. El no seguir todas las instrucciones que se indican a continuación, puede ocasionar descarga eléctrica, incendio, y/o grave lesión personal.

SIGNIFICADO DE LOS SIMBOLOS

SÍMBOLO DE SEGURIDAD DE ALERTA: indica **PELIGRO**, **ADVERTENCIA**, o **PRECAUCIÓN**; pueden ser usados junto con otros símbolos o pictogramas.

⚠ PELIGRO: indica una situación peligrosa que de no ser evitada, producirá la muerte o lesión grave.

⚠ ADVERTENCIA: indica una situación potencialmente peligrosa que de no ser evitada, podría producir la muerte o lesión grave.

⚠ PRECAUCIÓN: indica una situación potencialmente peligrosa que de no ser evitada podría producir lesiones menores o moderadas.

Prevención de daño y mensajes informativos

Le informan al usuario de información importante y/o instrucciones que podrían producir daño al equipo u otra propiedad si no se cumplen. Cada mensaje está precedido por la palabra “**NOTA**”, como se muestra en el ejemplo aquí abajo:

NOTA: Daño al equipo u/o otra propiedad puede producirse si no se cumplen estas instrucciones.


⚠ ADVERTENCIA: para asegurarse la seguridad y la confiabilidad, todas las reparaciones deben realizarse por un técnico de servicio calificado.



⚠ ADVERTENCIA: La operación de cualquier herramienta eléctrica puede causar el lanzamiento de objetos extraños dentro de sus ojos, lo cual puede resultar en una lesión severa del ojo. Antes de iniciar la operación de la herramienta eléctrica, siempre use anteojos o gafas protectoras con protección lateral y una máscara protectora para la cara cuando sea necesario. Le recomendamos una Máscara de Seguridad de Visión Amplia para usarse sobre sus lentes o gafas de seguridad estándar con protección lateral. Siempre use protección a los ojos con la etiqueta de cumplimiento de ANSI Z87.1.

GUARDE ESTAS INSTRUCCIONES

Algunos de los siguientes símbolos pueden usarse en esta herramienta. Por favor estúdielos y aprenda su significado. La interpretación adecuada de estos símbolos, le permitirá operar mejor la herramienta y de una forma más segura.

SÍMBOLO	NOMBRE	DESIGNACIÓN / EXPLICACIÓN
V	Voltios	Voltaje
A	Amperios	Corriente
Hz	Hercios	Frecuencia (ciclos por segundo)
W	Vatios	Energía
min	Minutos	Tiempo
~	Corriente alterna	Tipo de corriente
≡	Corriente continua	Tipo o una característica de la corriente
n_0	Velocidad sin carga	Velocidad giratoria, sin carga
	Construcción Clase II	Construcción de doble aislación
.../min	Por minuto	Revoluciones, carreras, velocidad de superficie, órbitas, etc., por minuto.
	Alerta de condiciones húmedas	No exponga a la lluvia u otras locaciones húmedas.
	Lea el manual de operación	Para reducir el riesgo de lesiones, el usuario debe leer y comprender este manual de operación antes de usar este producto.
	Protección ocular	Siempre use gafas o lentes de seguridad con protecciones laterales y una protección de todo el rostro cuando utilice este producto.
	Alerta de seguridad	Precauciones que involucran su seguridad.
	Símbolo de no tocar con las manos	No mantener sus manos alejadas de la sierra provocará lesiones personales graves.
	Símbolo de no tocar con las manos	No mantener sus manos alejadas de la sierra provocará lesiones personales graves.
	Símbolo de no tocar con las manos	No mantener sus manos alejadas de la sierra provocará lesiones personales graves.
	Símbolo de no tocar con las manos	No mantener sus manos alejadas de la sierra provocará lesiones personales graves.
	Superficie caliente	Para reducir el riesgo de lesiones o daños, evite el contacto con cualquier superficie caliente.

INSTRUCCIONES DE SEGURIDAD

ADVERTENCIAS GENERALES DE SEGURIDAD

▲ ADVERTENCIA: lea todas las advertencias de seguridad e instrucciones. No seguir todas las instrucciones en este Manual de Operación, puede ocasionar descarga eléctrica, incendio y/o lesión personal grave.

Guarde todas las advertencias e instrucciones para futura referencia.

LEA Y GUARDE ESTAS INSTRUCCIONES

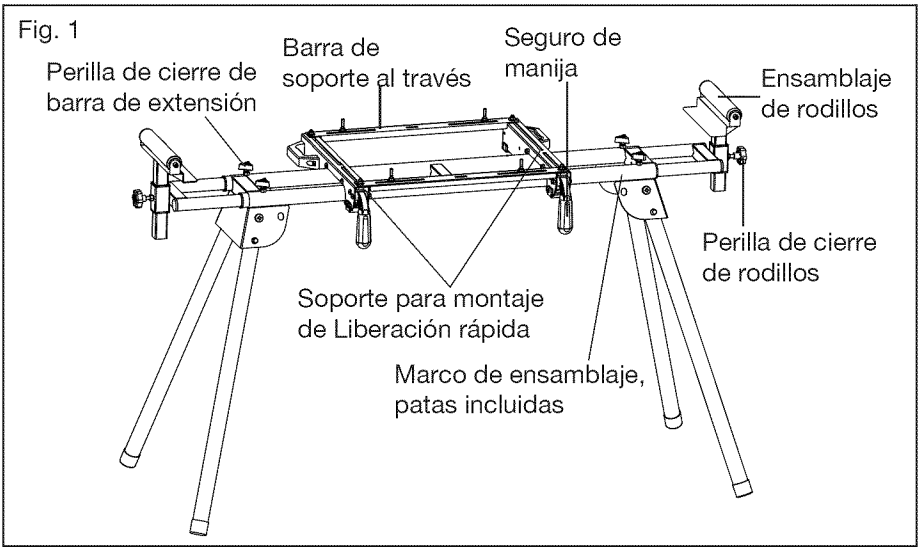
▲ ADVERTENCIA: No modifique y/o use este estante para una aplicación para la cual no haya sido diseñado.

- **Conozca su estante.** No intente ensamblar u operar su estante para sierra ingletadora hasta que haya leído las instrucciones de seguridad en esta sección.
- **Use su Sierra Ingletadora solamente sobre una superficie dura, seca y plana.**
- **Mantenga su área de trabajo limpia y bien iluminada.** Las áreas desordenadas u oscuras pueden inducir accidentes.
- **No se extienda demasiado.** Mantenga un adecuado soporte y balance en todo momento.
- **No cargue el estante para la sierra ingletadora con más de 330 libras.**
- **Almacene adecuadamente.** No deje el estante para la sierra ingletadora al aire libre o en un lugar húmedo.
- **No se pare o suba en el estante para la sierra ingletadora.** Puede voltearse y causar una lesión seria.
- **No permita que los niños usen el estante sin supervisión.** Éste no es un juguete.
- **Asegúrese de que todos los pernos de bloqueo estén dentro de los agujeros de montaje antes de usar su sierra ingletadora y estante.**
- **Tenga cuidado cuando mueva el estante, especialmente cuando la sierra ingletadora este montada.**
- **Vístase adecuadamente.** No use ropa holgada o joyería. Mantenga su cabello, ropa y guantes lejos de las partes móviles. Ropa holgada, joyería o cabello largo pueden quedar atrapados en las partes móviles. Siempre use zapatos antideslizantes. Ate el cabello largo. Recoja las mangas largas por encima del codo.
- **Siempre sujete firmemente la sierra ingletadora utilizada con su estante.** No intente utilizar la sierra ingletadora hasta que la sierra está firmemente ajustada.

- **Tenga cuidado de desbalancear.** Cuando un pedazo grande es cortado de la pieza de trabajo, la pieza remanente puede ser tan pesada que provoque que la sierra ingletadora se vuelque. Siempre asegúrese de que la pieza de trabajo esté bien apoyada.
- **Mantenga siempre los protectores en su lugar.** Asegúrese de que todos los protectores de la herramienta eléctrica estén en buenas condiciones, y con un ajuste y alineamiento apropiados.
- Siempre mantenga sus manos alejadas del área de corte.

DESCRIPCION

CONOZCA SU SIERRA INGLETADORA (Fig. 1)



ESPECIFICACIONES DE PRODUCTO	
Altura	32-7/8 pulgadas
Ancho máximo	80 pulgadas
Máxima capacidad de carga	330 libras
Peso	32.6 libras

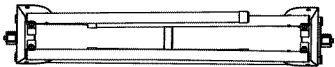
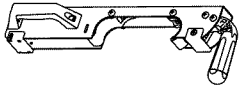

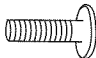



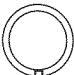


⚠ ADVERTENCIA: si alguna de las piezas se ha perdido o quebrado, no intente operar el estante hasta que la parte quebrada o perdida sea reemplazada. Si no sigue esta indicación puede producirse una lesión seria.

⚠ ADVERTENCIA: no intente modificar este estante ni crear accesorios no recomendables para el uso con este estante. Cualquier alteración o modificación se considera mal uso y podría producir una condición peligrosa que genere una lesión seria.

DESEMPAQUE

- Retire cuidadosamente todas las partes y accesorios de la caja. Asegúrese de que todos los artículos que se enumeran en la lista de empaque estén incluidos.
- Inspeccione el estante cuidadosamente y asegúrese de que daños o ruptura no hayan ocurrido durante el envío.
- No deseche el material de empaque hasta que haya inspeccionado cuidadosamente y operado el estante de manera satisfactoria.
- Si alguna parte hace falta o está dañada, por favor devuelva el estante al lugar de compra.

CONTENIDO DEL PAQUETE Y ARTICULOS DE FERRETERIA

Artículo	Descripción		Cantidad
A		Marco de ensamblaje, patas incluidas	1
B		Soporte para montaje de Liberación Rápida	2
C		Barra para soporte al través	2
D		Perno para barra de soporte	4
E		Arandela de la barra de soporte	4
F		Perno de montaje	4
G		Arandela de montaje	4
H		Arandela de resorte	8
I		Tuerca	8
J		Perilla de cierre de barra de extensión	4
K		Perilla de cierre de ensamblaje de rodillos	2
L		Ensamblaje de rodillos	2

OPERACION

⚠ ADVERTENCIA: No use esta herramienta como andamiaje o como escalera. Asegúrese de ajustar todas las perillas y palancas. La capacidad máxima es de 330 libras.

Las herramientas eléctricas sobre el estante no deben exceder una altura total de 60 pulgadas desde el piso.

CONFIGURANDO EL ESTANTE

1. Coloque el marco de ensamblaje con las patas (A) mirando hacia abajo sobre una superficie plana como se muestra en la Fig.2.
2. Para abrir las dos patas superiores, presione los pernos para asegurar y gire las patas hasta que los pernos encajen en la posición abierta y se escuche un “click” que señala que las patas están aseguradas en su lugar (figura 3).
3. Abra y asegure las otras dos patas de la misma manera.
4. Coloque el marco de ensamblaje sobre una superficie plana como se muestra en la figura 4.

Fig. 2

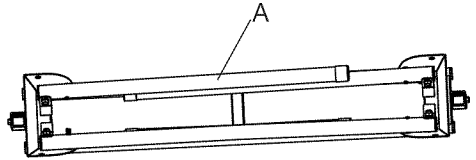
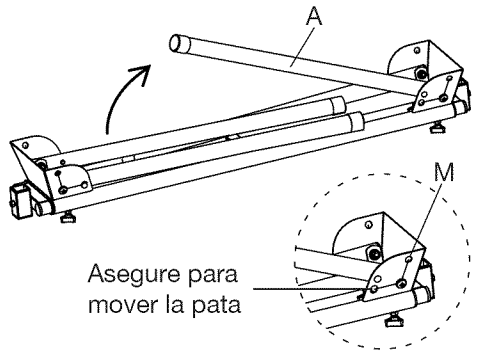


Fig. 3

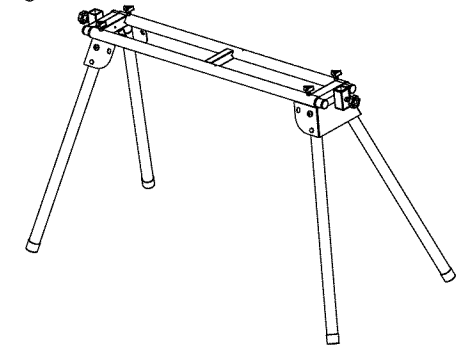


MONTAJE DE LA SIERRA INGLETADORA

⚠ ADVERTENCIA: El no desenchufar la herramienta antes de montarla al estante podría provocar un arranque accidental y una posible lesión personal seria.

⚠ ADVERTENCIA: Para evitar una lesión personal seria, asegúrese siempre de que la Sierra Ingletadora está bien sostenida y asegurada a una superficie de trabajo plana. Si es necesario mueva el estante a una ubicación donde sea más estable.

Fig. 4

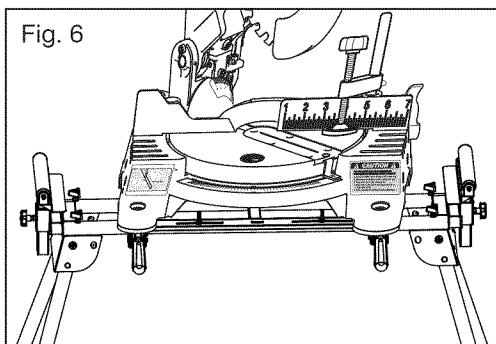
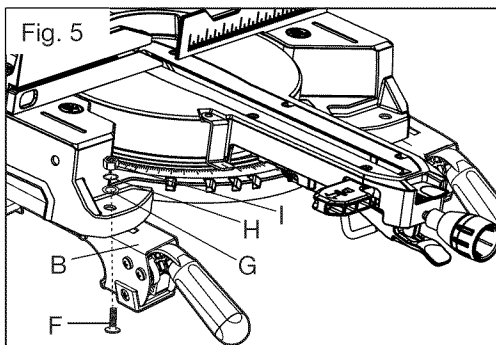


⚠ ADVERTENCIA: La dirección de alimentación en una mesa de la sierra es perpendicular al eje de estabilidad en el estante. Una agresiva alimentación de hojas hacia la mesa de la sierra podría provocar que el estante se vuelque.

MONTANDO SIERRAS INGLETADORAS ESTÁNDAR EN EL ESTANTE.

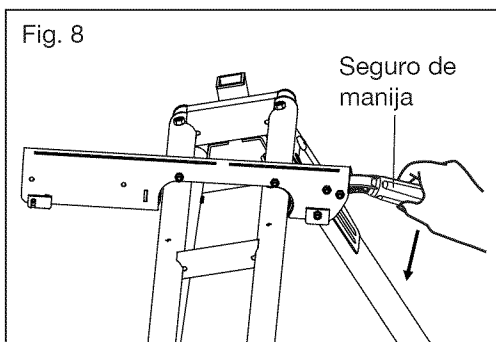
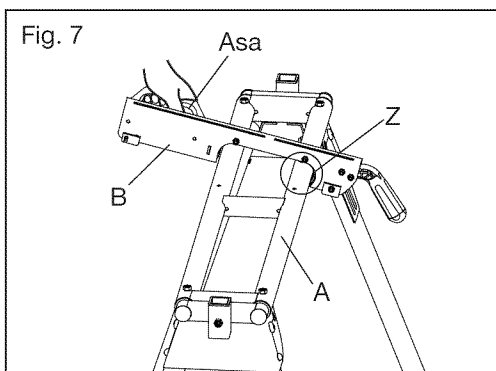
NOTA: Este montaje es para sierras ingletadoras sobre las cuales los 4 agujeros de montaje forman una figura rectangular (mayoría de sierras ingletadoras).

1. Sostenga los soportes para montaje de liberación rápida (B) usando los pernos de montaje de sierra ingletadora (F), arandelas (G), arandelas de resorte (H) y tuercas de cierre (I) (Fig. 5).
2. Una vez que la Sierra ingletadora está montada en los soportes de montaje, colóquela sobre el estante (Fig. 6).



INSTALANDO LOS SOPORTES PARA MONTAJE DE LIBERACIÓN RÁPIDA

1. Sostenga los soportes para montaje de liberación rápida (B) desde sus asas.
2. Coloque el área designada como "Z" en la fig. 7 en el marco de ensamblaje (A).
3. Presione el asa hacia abajo para montar los soportes para montaje de liberación rápida (B).
4. Ajuste el seguro de manija para asegurar los soportes para montaje (B) (figura 8).

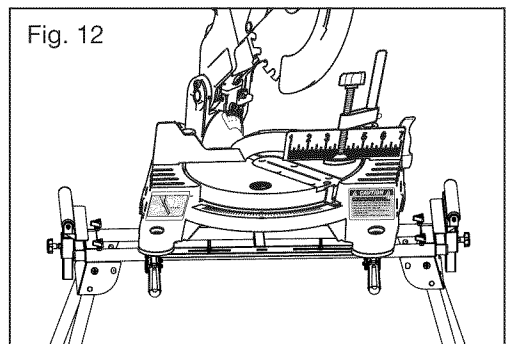
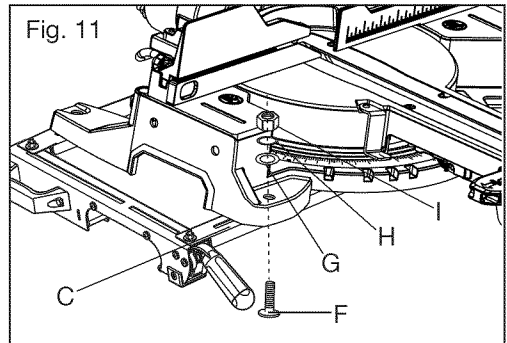
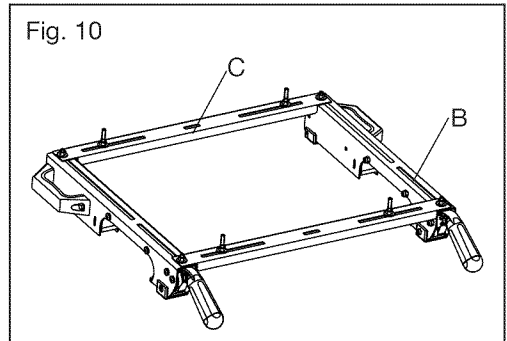
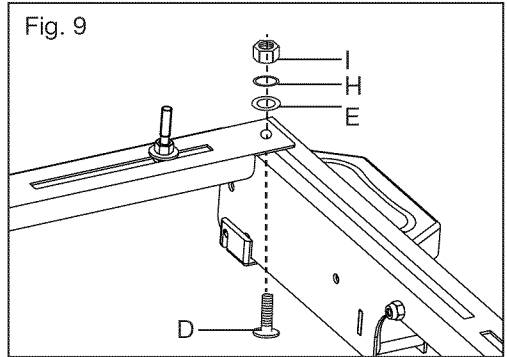


MONTANDO SIERRAS INGLETADORAS NO ESTÁNDAR

NOTA: esta configuración es para sierras ingletadoras en las

Cuales los cuatro agujeros de montaje forman una figura trapezoidal (algunas sierras) y aquellas en las cuales los tres hoyos de montaje forman una figura triangular (pocas sierras).

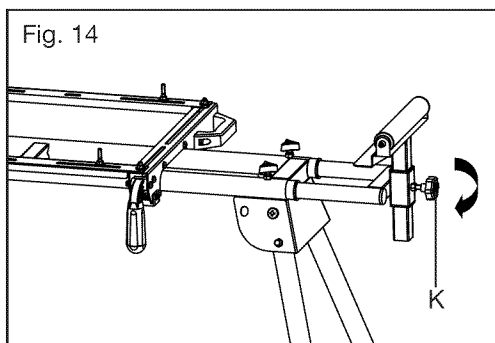
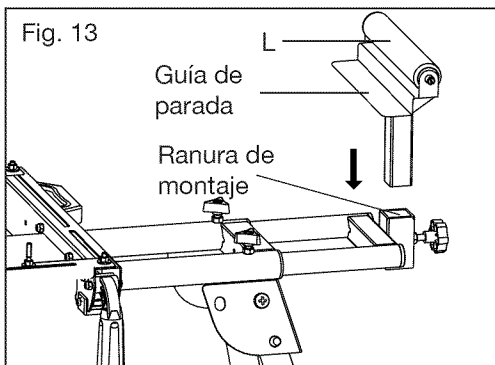
1. Coloque las dos barras de soporte (C) sobre los soportes de montaje (B). Use pernos de montaje para barra de soporte (D), arandelas (E), arandelas de resorte (H) y tuercas de ajuste (I) para pre ajustar las barras de soporte (C) en los soportes de montaje de liberación rápida (B) (figuras 9 y 10).
2. Coloque su sierra ingletadora con agujeros de montaje no estándares sobre las barras de soporte al través (C). Revise la posición y ajuste las barras de soporte lentamente de modo que los hoyos de montaje en la sierra ingletadora queden alineados con las ranuras en las barras de soporte al través (figura 11).
3. Use los pernos de montaje de sierra ingletadora (F), arandelas (G), arandelas de resorte (H), tuercas de ajuste (I) para asegurar la sierra a las barras de soporte (C).
4. Ajuste las tuercas de bloqueo (I) para ajustar totalmente la barra de soporte (C).
5. Una vez montada sobre los soportes para montaje, coloque la Sierra ingletadora sobre el estante (figura 12).



6. Adjunte los soportes al estante. Vea la sección Instalando los Soportes para Montaje de Liberación Rápida.

MONTANDO LOS RODILLOS DE ENSAMBLAJE.

1. Inserte los rodillos de ensamblaje (L) en las ranuras de montaje (Fig 13).
2. Ajuste la altura de los rodillos de ensamblaje (L) tanto como sea necesario.
3. Asegure los rodillos de ensamblaje en posición ajustando el perno de bloqueo (K) (Fig. 14).
4. Los rodillos de ensamblaje pueden también usarse como guía de parada estacionaria y servir como paradas positivas para cortes repetidos.



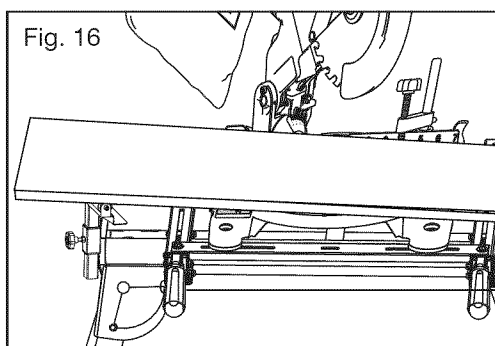
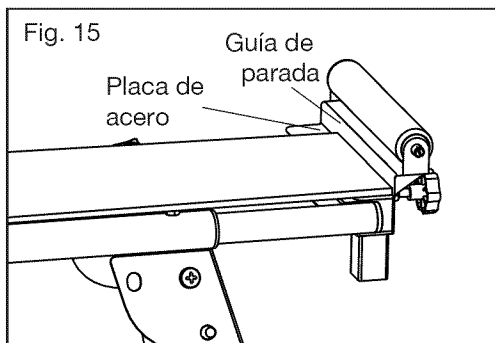
OPERACIÓN DE LOS RODILLOS.

Cuando trabaje con una pieza grande, se necesitan barras de extensión y rodillos.

El rodillo se puede usar como una guía para parar o como rodillo individual para dirección.

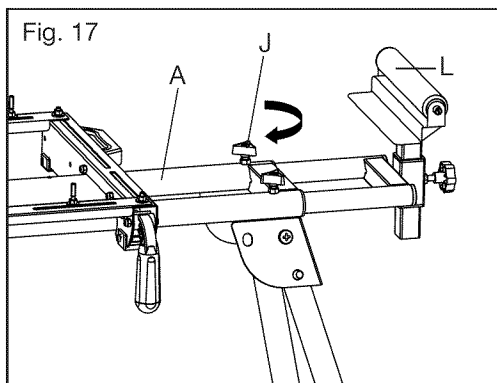
Cuando utilice el rodillo como guía para parar, coloque la pieza contra la placa; el rodillo de ensamblaje trabaja como una guía para parar y cortar las piezas a la longitud requerida (Fig. 15).

Cuando utilice el rodillo de ensamblaje como rodillo individual, coloque la pieza en el rodillo para un manejo conveniente (Fig. 16).



AJUSTANDO LAS BARRAS DE EXTENSION (Fig 17).

1. Extiende la barra de extensión a la posición requerida para sostener adecuadamente la pieza.
2. Ajuste totalmente los 2 pernos bloqueadores de la barra de extensión (J).



MANTENIMIENTO

⚠ ADVERTENCIA: Cuando repare, use solamente partes idénticas de reemplazo. El uso de cualquier otra parte puede crear un peligro o causar daño al producto.

MANTENIMIENTO GENERAL

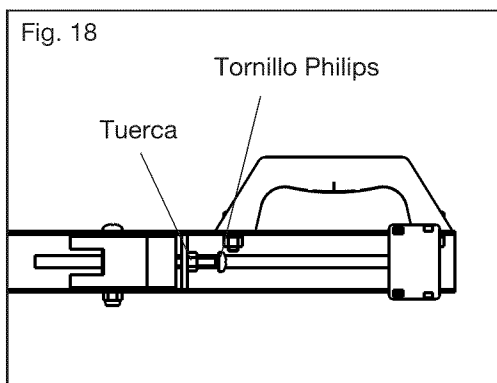
Evite el uso de solventes cuando limpie partes de plástico. La mayoría de plásticos son susceptibles al daño por varios tipos de solventes comerciales y pueden dañarse si se usan. Use telas limpias para sacar suciedad, polvo, aceite, grasa, etc.

⚠ ADVERTENCIA: Cuando repare, use solamente partes idénticas de reemplazo. El uso de cualquier otra parte puede crear un peligro o causar daño al producto. Para asegurar la seguridad y confiabilidad, todas las reparaciones deben ser realizadas por un técnico de servicio calificado.

⚠ ADVERTENCIA: Mantenga el estante seco, limpio, y libre de aceite y grasa. Siempre use una tela limpia para limpiar. Nunca use líquido para frenos, gasolina, productos a base de petróleo, o cualquier solvente fuerte para limpiar el estante. Los químicos pueden dañar, debilitar o destruir plástico lo cual puede resultar en lesión grave personal.

NOTA: Si el soporte para montaje requiere de un ajuste para montar sobre su estante de forma segura:

- Libere la tuerca girándola en contra de las manecillas del reloj.
- Ajuste el tornillo Phillips girándolo en sentido de las manecillas del reloj, y ajuste la tuerca girándola en sentido de las manecillas del reloj.

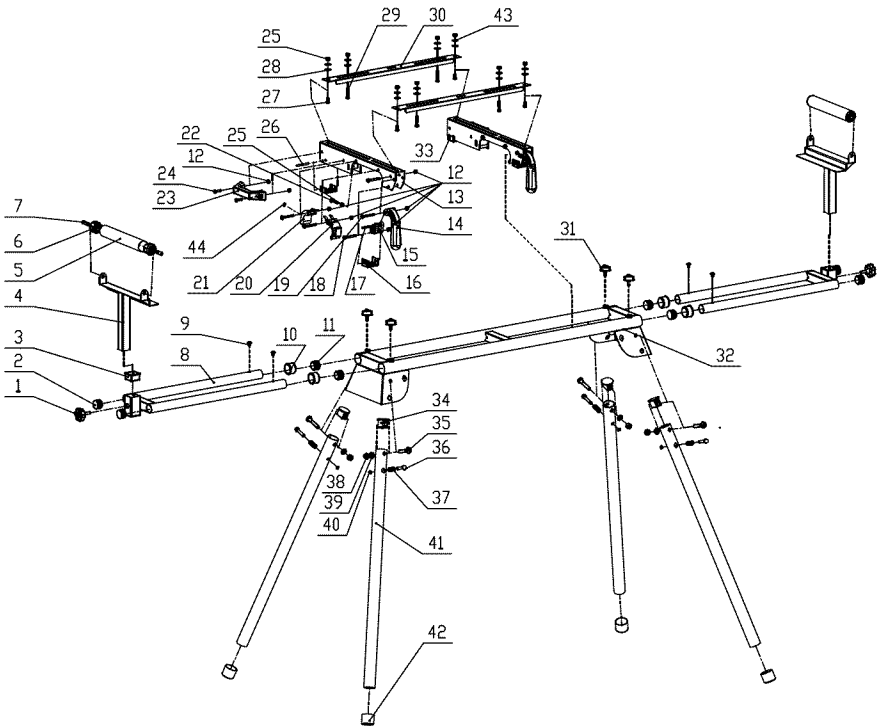


LISTA DE PARTES

ESTANTE UNIVERSAL PARA SIERRA INGLETADORA MODELO NO 320.16491

El Número de Modelo se encuentra en la placa de registro adjunta al marco del estante. Siempre mencione el Número de Modelo cuando ordene partes para esta herramienta.

Para ordenar partes llame al 1-800-469-4663.



LISTA DE PARTES

ESTANTE UNIVERSAL PARA SIERRA INGLETADORA MODELO NO 320.16491

El Número de Modelo se encuentra en la placa de registro adjunta al marco del estante. Siempre mencione el Número de Modelo cuando ordene partes para esta herramienta.

Para ordenar partes llame al 1-800-469-4663.

N°	N° de Pieza	Nombre de la pieza	CANT
1	1020211002	Volante de mano	2
2	1021501001	Bloque de inserción	4
3	1020904001	Boquilla	2
4	2050509006	Rodillo de apoyo	2
5	2040701003	Rodillo	2
6	1020505001	Cubierta	4
7	1010101002	Tornillo	4
8	2040504004	Barra de extension	2
9	1010122025	Tornillo	4
10	1021504001	Bloque	4
11	1021501002	Bloque	4
12	1010202004	Tuerca	14
13	2040107005	Ensamblaje de base	2
14	1020103002	Seguro de manija	2
15	1020801002	Conector	2
16	1021601002	Bloque cuadrado	2
17	1010402011	Perno de resorte	2
18	1010118005	Tornillo de cabeza de abrazadera	8
19	1010118006	Tornillo de cabeza de abrazadera	2
20	1029901002	Bloque con abrazadera	2
21	1020701001	Bloque fijo	2
22	1010119002	Tornillo	2
23	1020102001	Asa	2
24	1010108006	Perno	4

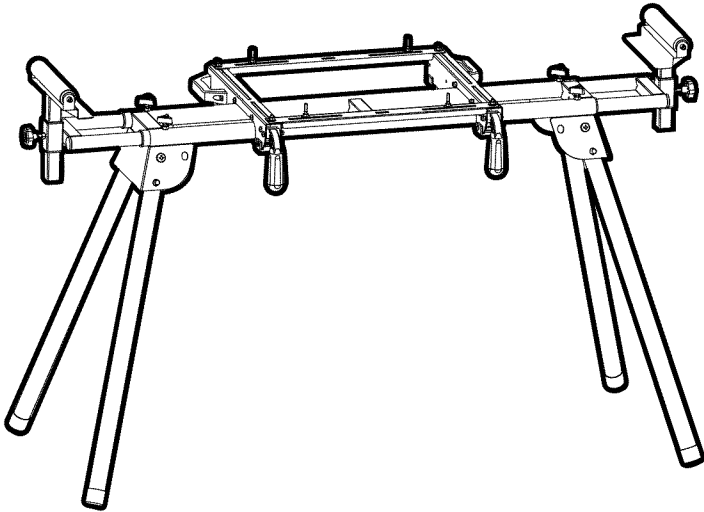
N°	N° de Pieza	Nombre de la pieza	CANT
25	1010201004	Tuerca	10
26	1010402012	Perno de resorte	2
27	1010103010	Perno de montaje de barra de soporte	4
28	1010301030	Arandela de montaje de barra de soporte	8
29	1010103009	Perno	4
30	2040307001	Barra de soporte al través	2
31	102102001	Tornillo	4
32	2040803001	Base de mesa	1
33	1021601001	Bloque cuadrado	2
34	1021503001	Bloque	4
35	1010118004	Perno	4
36	1010407001	Perno	4
37	1010603017	Resorte	4
38	1010202001	Tuerca	4
39	1010301001	Arandela	4
40	1010602001	Anillo de escudo	4
41	2040102001	Manija de pie	4
42	1020906006	Pedal de pie	4
43	1010303003	Arandela de resorte	8
44	1010301007	Arandela plana	2

Operator's Manual

CRAFTSMAN®

MITER SAW STAND WITH ROLLER EXTENSIONS

Model No. 320.16491



▲ WARNING: To reduce the risk of injury, the user must read and understand the Operator's Manual before using this product.

▲ WARNING: To reduce the risk of injury, the user must always read and follow all instructions in the bench top tool operating manual before mounting the tool to this stand.

- WARRANTY
- SAFETY
- ASSEMBLY
- OPERATION
- MAINTENANCE
- ESPAÑOL

Sears Brands Management Corporation, Hoffman Estates,
IL 60179 U.S.A.

www.craftsman.com

TABLE OF CONTENTS

Warranty	Page 2
Safety Symbols	Pages 4-5
Safety Instructions	Page 6
Description	Page 7
Assembly	Pages 7-8
Operation	Pages 9-13
Maintenance	Page 13
Parts List	Pages 14-16

CRAFTSMAN ONE YEAR FULL WARRANTY

FOR ONE YEAR from the date of purchase, this product is warranted against any defects in material or workmanship. A defective product will be replaced free of charge.

For warranty coverage details to obtain free replacement, visit the web site: www.craftsman.com

This warranty is void if this product is ever used while providing commercial services or if rented to another person.

This warranty gives you specific legal rights, and you may also have other rights which vary from state to state.

Sears Brands Management Corporation, Hoffman Estates, IL 60179

This miter saw stand has many features for making its use more pleasant and enjoyable. Safety, performance, and dependability have been given top priority in the design of this product, making it easy to maintain and operate.

SAVE THESE INSTRUCTIONS!

READ ALL INSTRUCTIONS!

⚠ WARNING: Some dust created by power sanding, sawing, grinding, drilling and other construction activities contains chemicals known to the state of California to cause cancer, birth defects or other reproductive harm. Some examples of these chemicals are:

- Lead from lead-based paints,
- Crystalline silica from bricks and cement and other masonry products, and
- Arsenic and chromium from chemically-treated lumber.

Your risk from these exposures varies, depending on how often you do this type of work. To reduce your exposure to these chemicals: work in a well ventilated area, and work with approved safety equipment, such as those dust masks that are specially designed to filter out microscopic particles.

The purpose of safety symbols is to attract your attention to possible dangers. The safety symbols and the explanations with them deserve your careful attention and understanding. The symbol warnings do not, by themselves, eliminate any danger. The instructions and warnings they give are no substitutes for proper accident prevention measures.

SAFETY SYMBOLS

⚠ WARNING: Be sure to read and understand all safety instructions in this Operator's Manual, including all safety alert symbols such as "**DANGER**," "**WARNING**," and "**CAUTION**" before using this tool. Failure to following all instructions listed below may result in electric shock, fire, and/or serious personal injury.

SYMBOL MEANING

SAFETY ALERT SYMBOL: Indicates **DANGER, WARNING, OR CAUTION**. May be used in conjunction with other symbols or pictographs.

⚠ DANGER: Indicates an imminently hazardous situation, which, if not avoided, will result in death or serious injury.

⚠ WARNING: Indicates a potentially hazardous situation, which, if not avoided, could result in death or serious injury.

⚠ CAUTION: Indicates a potentially hazardous situation, which, if not avoided, could result in minor or moderate injury.

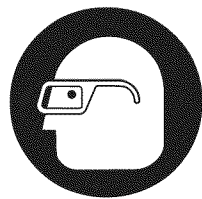
Damage Prevention and Information Messages

These inform the user of important information and/or instructions that could lead to equipment or other property damage if they are not followed. Each message is preceded by the word "NOTICE," as in the example below:

NOTICE: Equipment and/or property damage may result if these instructions are not followed.

⚠ WARNING: To ensure safety and reliability, all repairs should be performed by a qualified service technician.

⚠ WARNING: The operation of any power tools can result in foreign objects being thrown into your eyes, which can result in severe eye damage. Before beginning power tool operation, always wear safety goggles or safety glasses with side shield and a full face shield when needed. We recommend a Wide Vision Safety Mask for use over eyeglasses or standard safety glasses with side shields. Always use eye protection which is marked to comply with ANSI Z87.1.



SAVE THESE INSTRUCTIONS

Some of the following symbols may be used on this tool. Please study them and learn their meaning. Proper interpretation of these symbols will allow you to operate the tool better and more safely.

SYMBOL	NAME	DESIGNATION/EXPLANATION
V	Volts	Voltage
A	Amperes	Current
Hz	Hertz	Frequency (cycles per second)
W	Watt	Power
min	Minutes	Time
	Alternating Current	Type of current
	Direct Current	Type or a characteristic of current
n_0	No Load Speed	Rotational speed, at no load
	Class II Construction	Double-insulated construction
.../min	Per Minute	Revolutions, strokes, surface speed, orbits, etc., per minute
	Wet Conditions Alert	Do not expose to rain or use in damp locations.
	Read The Operator's Manual	To reduce the risk of injury, user must read and understand operator's manual before using this product.
	Eye Protection	Always wear safety goggles or safety glasses with side shields and a full face shield when operating this product.
	Safety Alert	Precautions that involve your safety.
	No-Hands Symbol	Failure to keep your hands away from the blade will result in serious personal injury.
	No-Hands Symbol	Failure to keep your hands away from the blade will result in serious personal injury.
	No-Hands Symbol	Failure to keep your hands away from the blade will result in serious personal injury.
	No-Hands Symbol	Failure to keep your hands away from the blade will result in serious personal injury.
	Hot Surface	To reduce the risk of injury or damage, avoid contact with any hot surface.

SAFETY INSTRUCTIONS

GENERAL POWER TOOL SAFETY WARNINGS

⚠ WARNING: Read and understand all instructions. Failure to follow all instructions in this Operator's Manual may result in electric shock, fire, and/or serious personal injury.

Save all warnings and instructions for future reference.

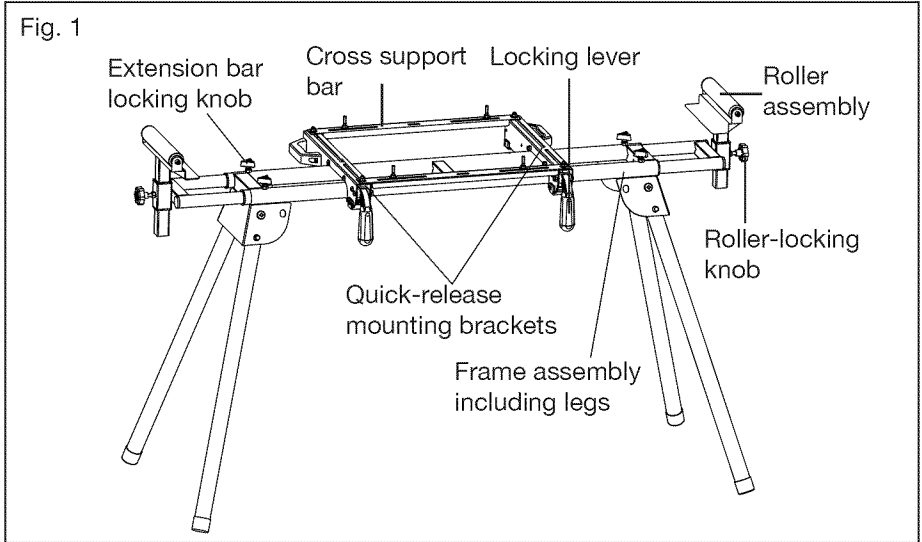
READ AND SAVE THESE INSTRUCTIONS

⚠ CAUTION: Do not modify the stand or use it for any application other than that for which it was designed.

- **Know your stand.** Do not attempt to assemble or operate your miter saw stand until you have read the safety instructions in this section.
- **Only use your miter saw stand on a hard, dry and flat surface.**
- **Keep your work area clean and well lit.** Cluttered or dark areas invite accidents.
- **Do not overreach.** Keep proper footing and balance at all times.
- **Do not load the miter saw stand with more than 330 lbs.**
- **Store properly.** Do not store the miter saw stand outdoors or in a damp location.
- **Do not stand or climb on miter saw stand.** It could tip over, causing serious injury.
- **Do not permit children to use the stand unsupervised.** It is not a toy.
- **Be sure that all locking pins are in the set-up position holes before using your miter saw and miter saw stand.**
- **Take care when moving the stand, especially when a miter saw is mounted.**
- **Dress properly.** Do not wear loose clothing or jewelry. Keep your hair, clothing and gloves away from moving parts. Loose clothes, jewelry or long hair can be caught in moving parts. Always wear non-slip footwear. Tie back long hair. Roll long sleeves above the elbow.
- **Always firmly attach the miter saw used with this stand.** Do not attempt to use your miter saw stand until the miter saw is fastened firmly.
- **Be aware of overbalancing.** When a large piece is cut from one end of a workpiece, the remaining piece may be heavy enough to cause the miter saw stand to tip over. Always ensure that the workpiece is well supported.
- **Always keep all guards in place.** Be sure that all power tool guards are in good working order and are in proper adjustment and alignment.
- **Always keep your hands away from the cutting area.**

DESCRIPTION

KNOW YOUR MITER SAW STAND (Fig. 1)



PRODUCT SPECIFICATIONS

Height	32-7/8 inches
Extended width	80 in.
Maximum Load Capacity	330 lbs
Weight	32.6 lbs

ASSEMBLY

⚠ WARNING: If any parts are broken or missing, do not attempt to operate the stand until the broken or missing part is replaced. Failure to do so could result in possible serious injury.

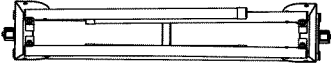
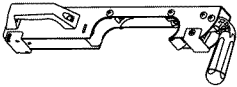

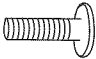



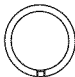
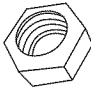


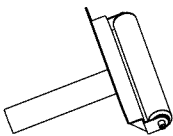
⚠ WARNING: Do not attempt to modify this stand or create accessories not recommended for use with this stand. Any such alteration or modification is misuse and could result in a hazardous condition leading to possible serious injury.

UNPACKING

- Carefully remove all the parts and accessories from the carton. Make sure that all items listed in the packing list are included.
- Inspect the stand carefully to make sure that no breakage or damage occurred during shipping.

- Do not discard the packing material until you have carefully inspected and satisfactorily operated the stand.
- If any parts are damaged or missing, please return the stand to the place of purchase.

PACKAGE CONTENTS AND HARDWARE

Item	Description	Quantity
A	 Frame assembly, including legs	1
B	 Quick-release mounting bracket	2
C	 Cross support bar	2
D	 Support-bar bolt	4
E	 Support-bar washer	4
F	 Mounting bolt	4
G	 Mounting washer	4
H	 Spring washer	8
I	 Nut	8
J	 Extension bar locking knob	4
K	 Roller-assembly locking knob	2
L	 Roller assembly	2

OPERATION

⚠ WARNING: Do not use this tool for scaffolding or as a ladder. Make sure to tighten all locking knobs and levers securely prior to use. Maximum capacity is 330 lbs. Power tools on the stand should not exceed a combined overall height of 60 inches from the floor.

SET UP THE STAND

1. Place the frame assembly with legs (A) upside down on a flat surface as shown in Fig. 2.
2. To open the top two legs, press the locking pins and rotate the legs until the locking pins snap into the open position and you hear a “click” to signal that the legs are locked in place (Fig. 3).
3. Open and lock the other two legs the same way.
4. Place the frame assembly on a flat surface as shown in Fig. 4.

MOUNTING A MITER SAW

⚠ WARNING: Failure to unplug the tool before attaching it to the stand could result in accidental starting and possibly serious personal injury.

⚠ WARNING: To avoid serious personal injury, always make sure that miter saws are fully supported and securely attached to a level work surface. If necessary, move the stand to a location where it will be more stable.

⚠ WARNING: Do not mount a table saw on this stand. The direction of feed on a table saw is perpendicular to the axis of stability on this stand. Aggressive feeding of sheet materials into a table saw could cause the stand to tip over.

Fig. 2

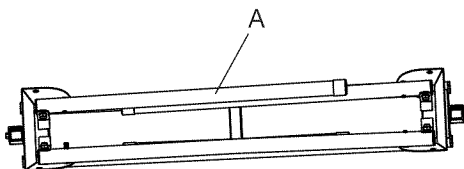


Fig. 3

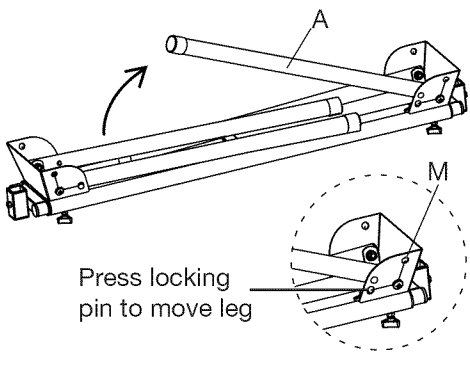
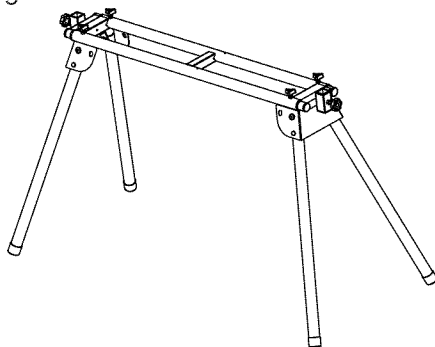


Fig. 4



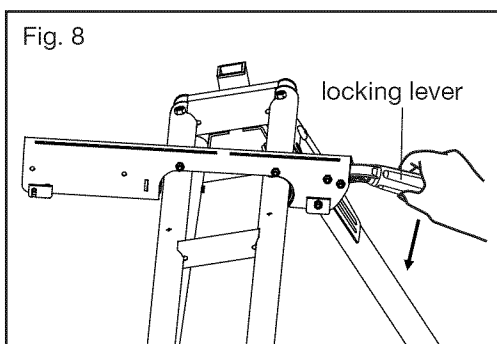
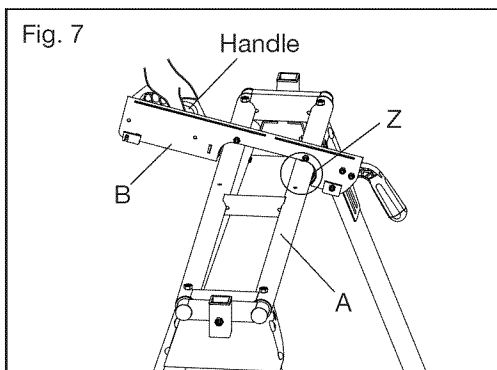
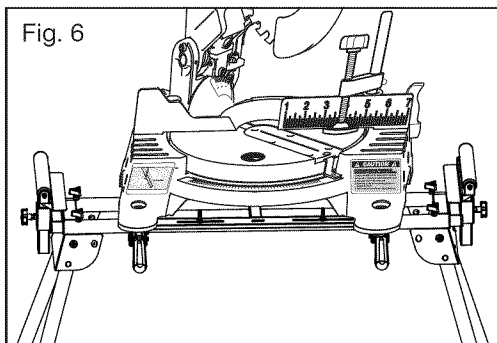
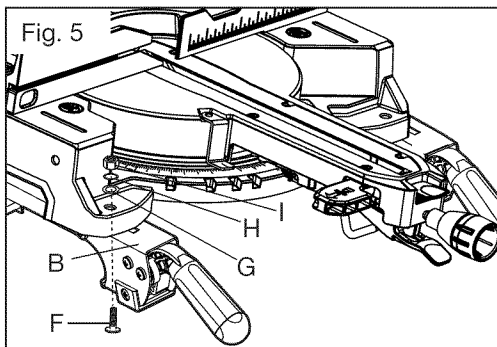
Mounting Standard Miter Saws To The Stand

NOTICE: This allows for the miter saws on which the 4 mounting holes form a rectangular pattern (most miter saws).

1. Mount your miter saw to the quick-release mounting brackets (B) using the miter saw mounting bolts (F), washers (G), spring washers (H) and locking nuts (I) (Fig. 5).
2. With the miter saw mounted on the quick-release mounting brackets, place the assembly on the work stand (Fig. 6).

INSTALLING THE QUICK-RELEASE MOUNTING BRACKETS

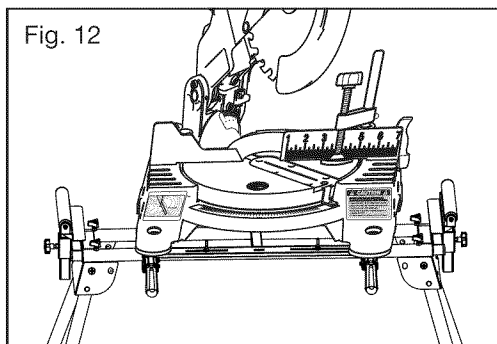
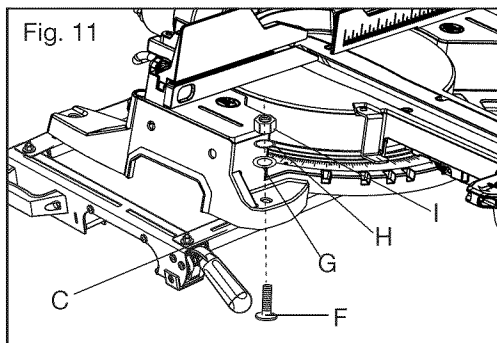
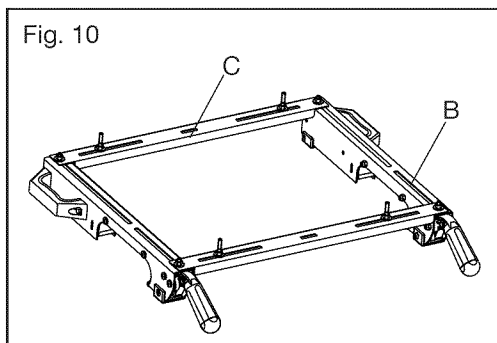
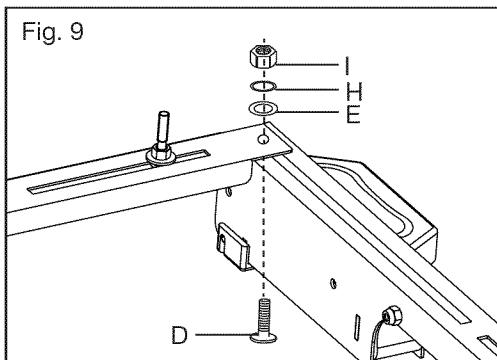
1. Hold the quick-release mounting bracket (B) by the handles.
2. Position the area designated "Z" in Fig. 7 on the frame assembly (A).
3. Press the handle down to mount the quick-release mounting brackets (B).
4. Tighten the locking lever to lock the mounting brackets (B) (Fig. 8).



Mounting Non-Standard Miter Saws

NOTICE: This configuration allows for miter saws on which the 4 mounting holes form a trapezoid pattern (some saws) and the those on which the 3 mounting holes form a triangular pattern (few saws).

1. Place the two support bars (C) on the mounting brackets (B). Use the support bar mounting bolts (D), washers (E), spring washers (H) and locking nuts (I) to pre-tighten the support bars (C) on the quick-release mounting brackets (B) (Figs. 9 and 10).
2. Position your miter saw with non-standard mounting holes on the cross support bars (C). Check the position and adjust the support bars slowly so that the mounting holes on miter saw are aligned with the slots on the cross support bars (Fig. 11).
3. Use the miter saw mounting bolts (F), washers (G), spring washers (H) and locking nuts (I) to securely tighten the saw to support bars (C).
4. Tighten the locking nuts (I) to fully tighten the support bar (C).
5. With the miter saw mounted on the quick-release mounting brackets (B), place the assembly onto the work stand (Fig. 12).
6. Attach the brackets to the stand. See Installing the Quick-Release Mounting Brackets section.



MOUNTING THE ROLLER ASSEMBLIES

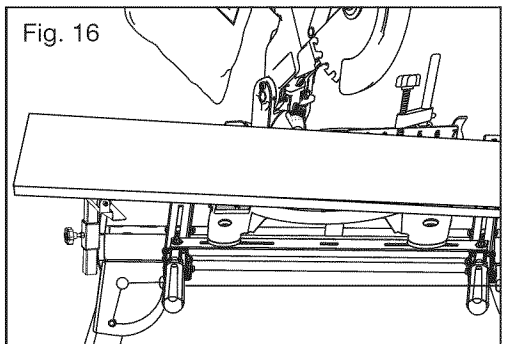
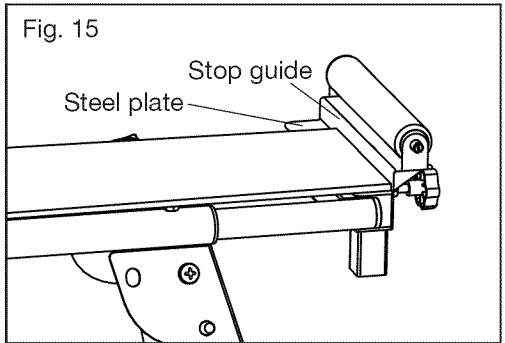
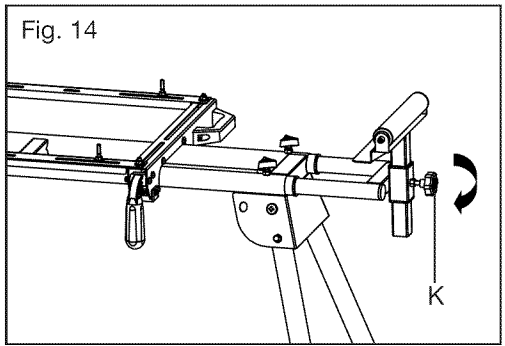
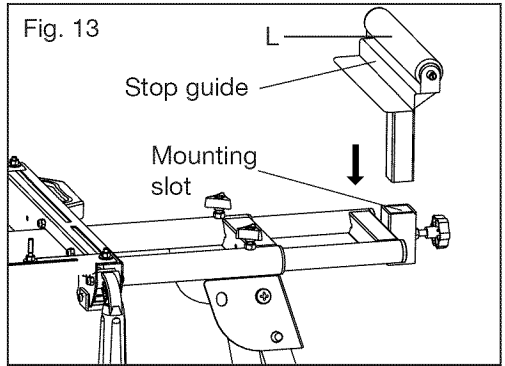
1. Insert the roller assemblies (L) into the mounting slots (Fig. 13).
2. Adjust the height of the roller assemblies (L) as needed.
3. Lock the roller assembly in position by tightening the locking knob (K) (Fig. 14).
4. The roller assemblies can also use as a stationary stop guide, and work as positive stops for repetitive cuts.

ROLLER OPERATION

When working on a long workpiece, the extension bars and rollers are needed.

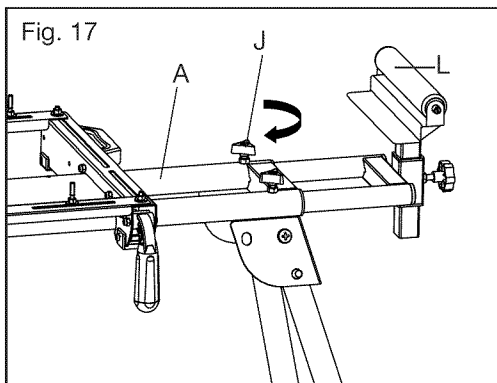
The roller can be used as a stop guide or a single directional roller.

- When using the roller as stop guide, place the workpiece against the plate; the roller assembly works as an stop guide to cut the workpieces to the length required (Fig. 15).
- When using the roller assembly as a single roller, place the workpiece on the roller for convenient operation (Fig. 16).



ADJUSTING THE EXTENSION BARS (Fig. 17)

1. Extend the extension bar to the required position to properly support the workpiece.
2. Fully tighten the two extension-bar locking knobs (J).



MAINTENANCE

⚠ WARNING: When servicing, use only identical replacement parts. Use of any other parts may create a hazard or cause product damage.

GENERAL MAINTENANCE

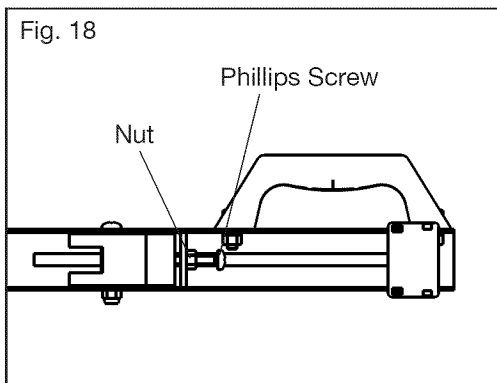
Avoid using solvents when cleaning plastic parts. Most plastics are susceptible to damage from various types of commercial solvents and may be damaged by their use. Use clean cloths to remove dirt, dust, oil, grease, etc.

⚠ WARNING: When servicing, use only identical replacement parts. Use of any other parts may create a hazard or cause product damage. To ensure safety and reliability, all repairs should be performed by a qualified service technician.

⚠ WARNING: Keep the miter saw stand dry, clean, and free from oil and grease. Always use a clean cloth when cleaning. Never use brake fluids, gasoline, petroleum based products or any strong solvent to clean the stand. Chemicals can damage, weaken or destroy plastic which may result in serious personal injury.

NOTICE: If the mounting bracket requires adjustment to mount securely on your stand:

- Release the nut by turning it counterclockwise.
- Tighten the Phillips Screw by turning it clockwise, and tighten the nut by turning it clockwise.

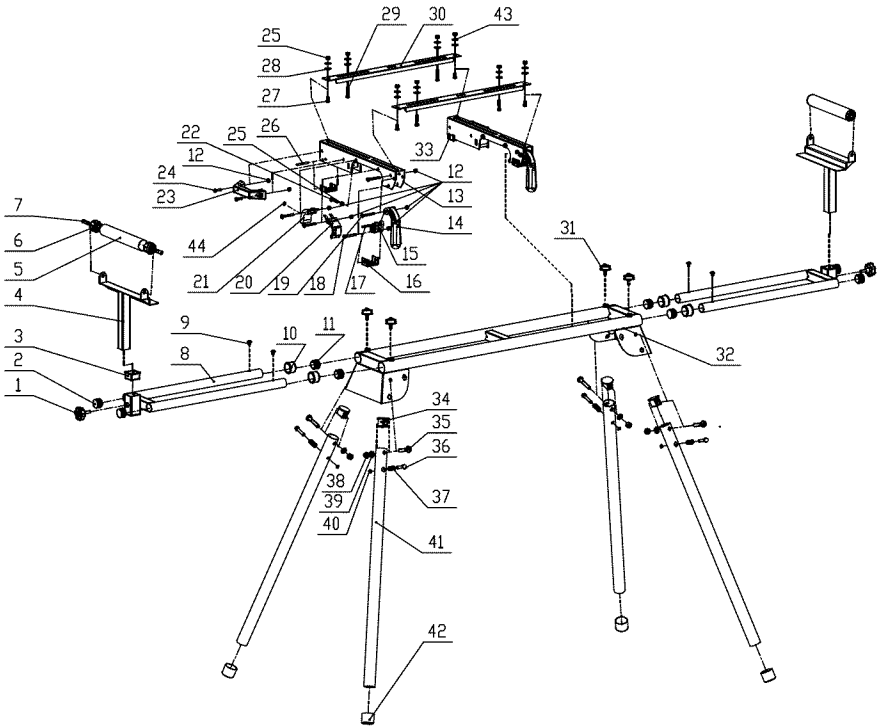


PARTS LIST

MITER SAW STAND MODEL NO. 320.16491

The Model Number will be found on the Nameplate attached to the frame of the miter saw stand. Always mention the Model Number when ordering parts for this tool.

To order parts, call 1-800-469-4663.



PARTS LIST

MITER SAW STAND MODEL NO. 320.16491

The Model Number will be found on the Nameplate attached to the frame of the miter saw stand. Always mention the Model Number when ordering parts for this tool.

To order parts, call 1-800-469-4663.

No	Part No	Part Name	QTY
1	1020211002	Hand Wheel	2
2	1021501001	Insert block	4
3	1020904001	Bushing	2
4	2050509006	Roller support	2
5	2040701003	Roller	2
6	1020505001	Cover	4
7	1010101002	Screw	4
8	2040504004	Extension bar	2
9	1010122025	Screw	4
10	1021504001	Block	4
11	1021501002	Block	4
12	1010202004	Nut	14
13	2040107005	Base assembly	2
14	1020103002	Locking lever	2
15	1020801002	Connector	2
16	1021601002	Square block	2
17	1010402011	Spring bolt	2
18	1010118005	Brazier head screw	8
19	1010118006	Brazier head screw	2
20	1029901002	Clamping block	2
21	1020701001	Fixed block	2
22	1010119002	Screw	2
23	1020102001	Handle	2
24	1010108006	Bolt	4
25	1010201004	Nut	10

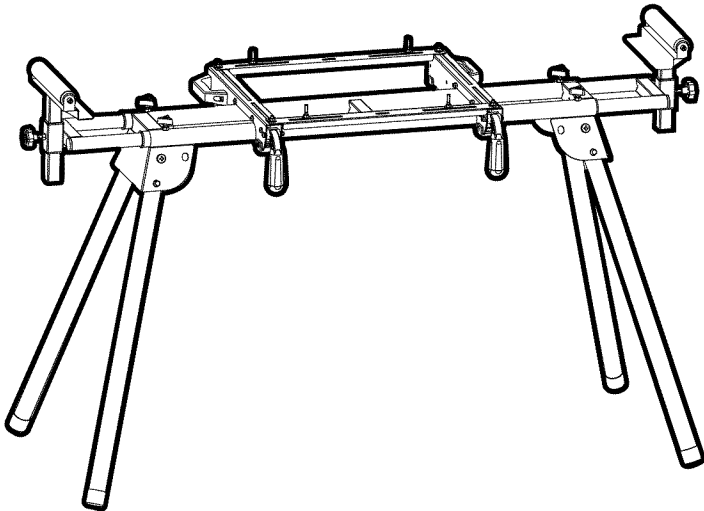
No	Part No	Part Name	QTY
26	1010402012	Spring bolt	2
27	1010103010	Support bar mounting bolt	4
28	1010301030	Support bar mounting washer	8
29	1010103009	Bolt	4
30	2040307001	Cross support bar	2
31	102102001	Screw	4
32	2040803001	Table base	1
33	1021601001	Square block	2
34	1021503001	Block	4
35	1010118004	Bolt	4
36	1010407001	Bolt	4
37	1010603017	Spring	4
38	1010202001	Nut	4
39	1010301001	Washer	4
40	1010602001	Shield ring	4
41	2040102001	Foot lever	4
42	1020906006	Footpad	4
43	1010303003	Spring washer	8
44	1010301007	Plain Washer	2

Manual del Propietario



Estante para Sierra Ingletadora con Extensiones de Rodillo

Modelo N° 320.16491



▲ ADVERTENCIA: Para reducir el riesgo de lesiones, el usuario debe leer y comprender el Manual de Operación antes de usar este producto.

▲ ADVERTENCIA: Para reducir el riesgo de lesión, el usuario leer y seguir todas las instrucciones del manual de operación antes de montar la herramienta en este estante.

- GARANTÍA
- SEGURIDAD
- ENSAMBLAJE
- DESCRIPCIÓN
- OPERACIÓN
- MANTENIMIENTO
- ESPAÑOL

Sears Brands Management Corporation, Hoffman Estates,
IL 60179 U.S.A.

www.craftsman.com

TABLA DE CONTENIDOS

Garantía	Página 18
Símbolos de Seguridad	Páginas 20-21
Instrucciones de Seguridad	Páginas 22-23
Descripción	Página 23
Montaje	Páginas 24-25
Operación	Páginas 26-30
Mantenimiento	Página 30
Lista de Piezas	Páginas 31-33

GARANTÍA TOTAL DE UN AÑO DE CRAFTSMAN

POR UN AÑO después de la fecha de compra, este producto está garantizado por cualquier defecto de materiales o fabricación. Si cuenta con la prueba de compra, el producto defectuoso será reemplazado sin costo alguno.

Para detalles sobre la cobertura de garantía para obtener una devolución gratuita, visite la página web: www.craftsman.com

Esta garantía se anulará, si el producto ha sido usado mientras se proveía servicios comerciales o si se ha rentado a otra persona.

Esta garantía le otorga derechos legales específicos. Puede que usted tenga otros derechos que varíen de un Estado a otro.

Corporación Sears Brands Management, Hoffman Estates, IL 60179

Esta sierra de inglete tiene muchas características diseñadas para hacer su uso más placentero. Al diseñar este producto, se le ha otorgado máxima prioridad a la seguridad, el rendimiento y la confiabilidad, haciéndolo fácil de mantener y operar.

¡GUARDE ESTAS INSTRUCCIONES!

! LEA TODAS LAS INSTRUCCIONES!

⚠️ ADVERTENCIA: Algunas partículas de polvo que se generan al lijar, serruchar, afilar, o perforar, con herramientas eléctricas, así como las actividades de construcción, contienen químicos que el estado de California reconoce como causantes de cáncer, nacimientos defectuosos u otros daños reproductivos. Algunos ejemplos de estos químicos son:

- Plomo de pinturas hechas a base de plomo
- Sílice cristalizado de ladrillos y cemento y otros productos de albañilería, y
- Arsenio y cromo de la madera tratada químicamente

El riesgo por el contacto con estos químicos, varía dependiendo de cuán frecuente realice este tipo de trabajo. Para reducir el contacto con estos químicos: trabaje en un área bien ventilada, y con equipo con seguridad aprobada; tales como máscaras para el polvo que estén especialmente diseñadas para filtrar las partículas microscópicas.

El propósito de los símbolos de seguridad es el de dirigir su atención hacia los peligros posibles. Los símbolos de seguridad y las explicaciones que los acompañan merecen una cuidadosa atención y entendimiento. Los símbolos de advertencia no eliminan los peligros por sí mismos. Las instrucciones y advertencias que proveen no son sustitutas de las medidas adecuadas de prevención de accidentes.

SIMBOLOS DE SEGURIDAD

⚠ ADVERTENCIA: Asegúrese de leer y comprender todas las instrucciones de seguridad en este manual de operación, incluyendo todos los símbolos de seguridad de alerta tales como “**PELIGRO**”, “**ADVERTENCIA**”, y “**PRECAUCIÓN**” antes de usar esta herramienta. El no seguir todas las instrucciones que se indican a continuación, puede ocasionar descarga eléctrica, incendio, y/o grave lesión personal.

SIGNIFICADO DE LOS SIMBOLOS

SÍMBOLO DE SEGURIDAD DE ALERTA: indica **PELIGRO**, **ADVERTENCIA**, o **PRECAUCIÓN**; pueden ser usados junto con otros símbolos o pictogramas.

⚠ PELIGRO: indica una situación peligrosa que de no ser evitada, producirá la muerte o lesión grave.

⚠ ADVERTENCIA: indica una situación potencialmente peligrosa que de no ser evitada, podría producir la muerte o lesión grave.

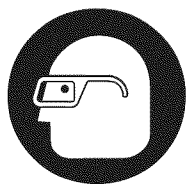
⚠ PRECAUCIÓN: indica una situación potencialmente peligrosa que de no ser evitada podría producir lesiones menores o moderadas.

Prevención de daño y mensajes informativos

Le informan al usuario de información importante y/o instrucciones que podrían producir daño al equipo u otra propiedad si no se cumplen. Cada mensaje está precedido por la palabra “**NOTA**”, como se muestra en el ejemplo aquí abajo:

NOTA: Daño al equipo u/o otra propiedad puede producirse si no se cumplen estas instrucciones.



⚠ ADVERTENCIA: para asegurarse la seguridad y la confiabilidad, todas las reparaciones deben realizarse por un técnico de servicio calificado.



⚠ ADVERTENCIA: La operación de cualquier herramienta eléctrica puede causar el lanzamiento de objetos extraños dentro de sus ojos, lo cual puede resultar en una lesión severa del ojo. Antes de iniciar la operación de la herramienta eléctrica, siempre use anteojos o gafas protectoras con protección lateral y una máscara protectora para la cara cuando sea necesario. Le recomendamos una Máscara de Seguridad de Visión Amplia para usarse sobre sus lentes o gafas de seguridad estándar con protección lateral. Siempre use protección a los ojos con la etiqueta de cumplimiento de ANSI Z87.1.

GUARDE ESTAS INSTRUCCIONES

Algunos de los siguientes símbolos pueden usarse en esta herramienta. Por favor estúdielos y aprenda su significado. La interpretación adecuada de estos símbolos, le permitirá operar mejor la herramienta y de una forma más segura.

SÍMBOLO	NOMBRE	DESIGNACIÓN / EXPLICACIÓN
V	Voltios	Voltaje
A	Amperios	Corriente
Hz	Hercios	Frecuencia (ciclos por segundo)
W	Vatios	Energía
min	Minutos	Tiempo
~	Corriente alterna	Tipo de corriente
≡	Corriente continua	Tipo o una característica de la corriente
n_0	Velocidad sin carga	Velocidad giratoria, sin carga
	Construcción Clase II	Construcción de doble aislación
.../min	Por minuto	Revoluciones, carreras, velocidad de superficie, órbitas, etc., por minuto.
	Alerta de condiciones húmedas	No exponga a la lluvia u otras locaciones húmedas.
	Lea el manual de operación	Para reducir el riesgo de lesiones, el usuario debe leer y comprender este manual de operación antes de usar este producto.
	Protección ocular	Siempre use gafas o lentes de seguridad con protecciones laterales y una protección de todo el rostro cuando utilice este producto.
	Alerta de seguridad	Precauciones que involucran su seguridad.
	Símbolo de no tocar con las manos	No mantener sus manos alejadas de la sierra provocará lesiones personales graves.
	Símbolo de no tocar con las manos	No mantener sus manos alejadas de la sierra provocará lesiones personales graves.
	Símbolo de no tocar con las manos	No mantener sus manos alejadas de la sierra provocará lesiones personales graves.
	Símbolo de no tocar con las manos	No mantener sus manos alejadas de la sierra provocará lesiones personales graves.
	Superficie caliente	Para reducir el riesgo de lesiones o daños, evite el contacto con cualquier superficie caliente.

INSTRUCCIONES DE SEGURIDAD

ADVERTENCIAS GENERALES DE SEGURIDAD

▲ ADVERTENCIA: lea todas las advertencias de seguridad e instrucciones. No seguir todas las instrucciones en este Manual de Operación, puede ocasionar descarga eléctrica, incendio y/o lesión personal grave.

Guarde todas las advertencias e instrucciones para futura referencia.

LEA Y GUARDE ESTAS INSTRUCCIONES

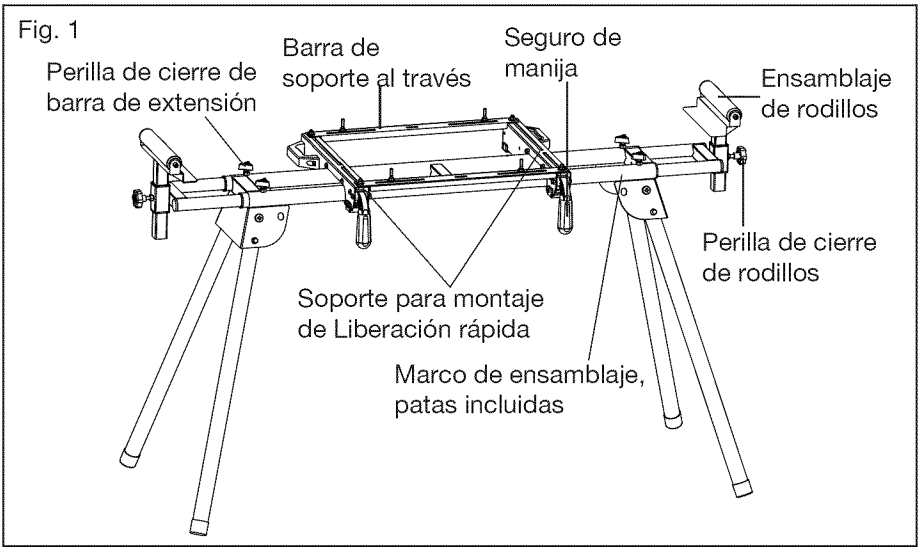
▲ ADVERTENCIA: No modifique y/o use este estante para una aplicación para la cual no haya sido diseñado.

- **Conozca su estante.** No intente ensamblar u operar su estante para sierra ingletadora hasta que haya leído las instrucciones de seguridad en esta sección.
- **Use su Sierra Ingletadora solamente sobre una superficie dura, seca y plana.**
- **Mantenga su área de trabajo limpia y bien iluminada.** Las áreas desordenadas u oscuras pueden inducir accidentes.
- **No se extienda demasiado.** Mantenga un adecuado soporte y balance en todo momento.
- **No cargue el estante para la sierra ingletadora con más de 330 libras.**
- **Almacene adecuadamente.** No deje el estante para la sierra ingletadora al aire libre o en un lugar húmedo.
- **No se pare o suba en el estante para la sierra ingletadora.** Puede voltearse y causar una lesión seria.
- **No permita que los niños usen el estante sin supervisión.** Éste no es un juguete.
- **Asegúrese de que todos los pernos de bloqueo estén dentro de los agujeros de montaje antes de usar su sierra ingletadora y estante.**
- **Tenga cuidado cuando mueva el estante, especialmente cuando la sierra ingletadora este montada.**
- **Vístase adecuadamente.** No use ropa holgada o joyería. Mantenga su cabello, ropa y guantes lejos de las partes móviles. Ropa holgada, joyería o cabello largo pueden quedar atrapados en las partes móviles. Siempre use zapatos antideslizantes. Ate el cabello largo. Recoja las mangas largas por encima del codo.
- **Siempre sujete firmemente la sierra ingletadora utilizada con su estante.** No intente utilizar la sierra ingletadora hasta que la sierra está firmemente ajustada.

- **Tenga cuidado de desbalancear.** Cuando un pedazo grande es cortado de la pieza de trabajo, la pieza remanente puede ser tan pesada que provoque que la sierra ingletadora se vuelque. Siempre asegúrese de que la pieza de trabajo esté bien apoyada.
- **Mantenga siempre los protectores en su lugar.** Asegúrese de que todos los protectores de la herramienta eléctrica estén en buenas condiciones, y con un ajuste y alineamiento apropiados.
- Siempre mantenga sus manos alejadas del área de corte.

DESCRIPCION

CONOZCA SU SIERRA INGLETADORA (Fig. 1)



ESPECIFICACIONES DE PRODUCTO	
Altura	32-7/8 pulgadas
Ancho máximo	80 pulgadas
Máxima capacidad de carga	330 libras
Peso	32.6 libras

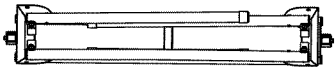
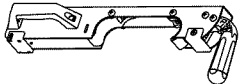

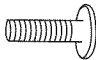

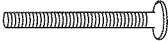

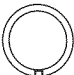



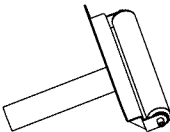
⚠ ADVERTENCIA: si alguna de las piezas se ha perdido o quebrado, no intente operar el estante hasta que la parte quebrada o perdida sea reemplazada. Si no sigue esta indicación puede producirse una lesión seria.

⚠ ADVERTENCIA: no intente modificar este estante ni crear accesorios no recomendables para el uso con este estante. Cualquier alteración o modificación se considera mal uso y podría producir una condición peligrosa que genere una lesión seria.

DESEMPAQUE

- Retire cuidadosamente todas las partes y accesorios de la caja. Asegúrese de que todos los artículos que se enumeran en la lista de empaque estén incluidos.
- Inspeccione el estante cuidadosamente y asegúrese de que daños o ruptura no hayan ocurrido durante el envío.
- No deseche el material de empaque hasta que haya inspeccionado cuidadosamente y operado el estante de manera satisfactoria.
- Si alguna parte hace falta o está dañada, por favor devuelva el estante al lugar de compra.

CONTENIDO DEL PAQUETE Y ARTICULOS DE FERRETERIA

Artículo	Descripción	Cantidad
A	 Marco de ensamblaje, patas incluidas	1
B	 Soporte para montaje de Liberación Rápida	2
C	 Barra para soporte al través	2
D	 Perno para barra de soporte	4
E	 Arandela de la barra de soporte	4
F	 Perno de montaje	4
G	 Arandela de montaje	4
H	 Arandela de resorte	8
I	 Tuerca	8
J	 Perilla de cierre de barra de extensión	4
K	 Perilla de cierre de ensamblaje de rodillos	2
L	 Ensamblaje de rodillos	2

OPERACION

⚠ ADVERTENCIA: No use esta herramienta como andamiaje o como escalera. Asegúrese de ajustar todas las perillas y palancas. La capacidad máxima es de 330 libras.

Las herramientas eléctricas sobre el estante no deben exceder una altura total de 60 pulgadas desde el piso.

CONFIGURANDO EL ESTANTE

1. Coloque el marco de ensamblaje con las patas (A) mirando hacia abajo sobre una superficie plana como se muestra en la Fig.2.
2. Para abrir las dos patas superiores, presione los pernos para asegurar y gire las patas hasta que los pernos encajen en la posición abierta y se escuche un “click” que señala que las patas están aseguradas en su lugar (figura 3).
3. Abra y asegure las otras dos patas de la misma manera.
4. Coloque el marco de ensamblaje sobre una superficie plana como se muestra en la figura 4.

Fig. 2

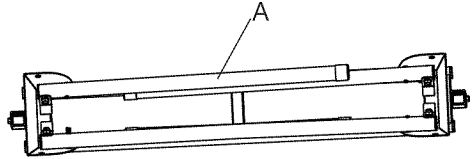
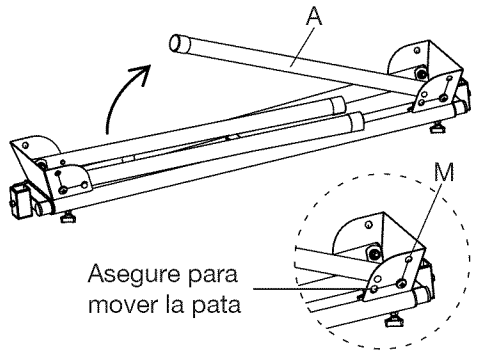


Fig. 3

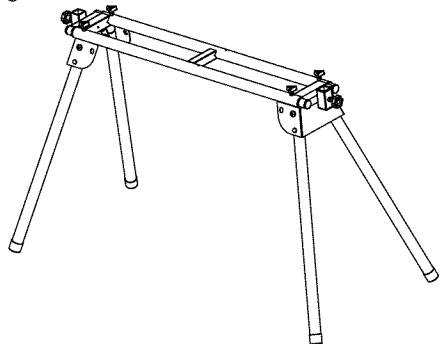


MONTAJE DE LA SIERRA INGLETADORA

⚠ ADVERTENCIA: El no desenchufar la herramienta antes de montarla al estante podría provocar un arranque accidental y una posible lesión personal seria.

⚠ ADVERTENCIA: Para evitar una lesión personal seria, asegúrese siempre de que la Sierra Ingletadora está bien sostenida y asegurada a una superficie de trabajo plana. Si es necesario mueva el estante a una ubicación donde sea más estable.

Fig. 4

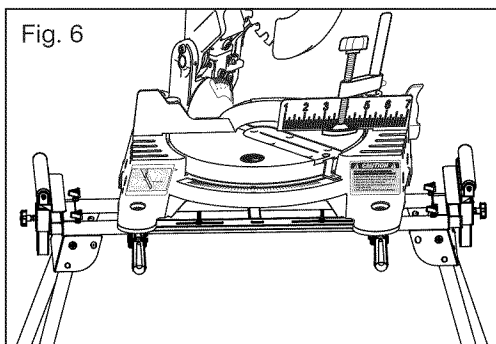
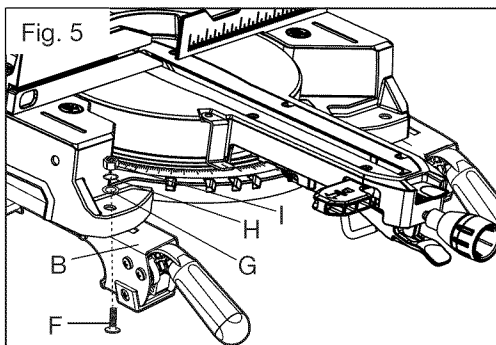


⚠ ADVERTENCIA: La dirección de alimentación en una mesa de la sierra es perpendicular al eje de estabilidad en el estante. Una agresiva alimentación de hojas hacia la mesa de la sierra podría provocar que el estante se vuelque.

MONTANDO SIERRAS INGLETADORAS ESTÁNDAR EN EL ESTANTE.

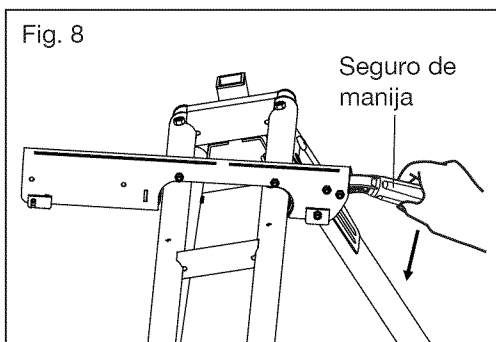
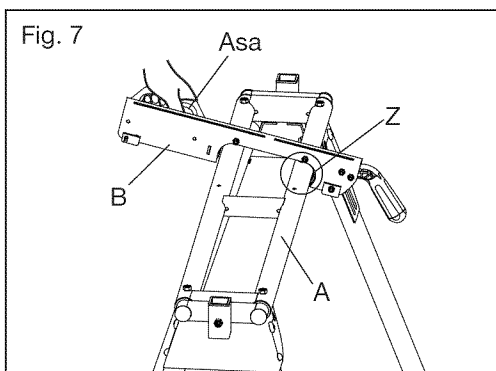
NOTA: Este montaje es para sierras ingletadoras sobre las cuales los 4 agujeros de montaje forman una figura rectangular (mayoría de sierras ingletadoras).

1. Sostenga los soportes para montaje de liberación rápida (B) usando los pernos de montaje de sierra ingletadora (F), arandelas (G), arandelas de resorte (H) y tuercas de cierre (I) (Fig. 5).
2. Una vez que la Sierra ingletadora está montada en los soportes de montaje, colóquela sobre el estante (Fig. 6).



INSTALANDO LOS SOPORTES PARA MONTAJE DE LIBERACIÓN RÁPIDA

1. Sostenga los soportes para montaje de liberación rápida (B) desde sus asas.
2. Coloque el área designada como "Z" en la fig. 7 en el marco de ensamblaje (A).
3. Presione el asa hacia abajo para montar los soportes para montaje de liberación rápida (B).
4. Ajuste el seguro de manija para asegurar los soportes para montaje (B) (figura 8).

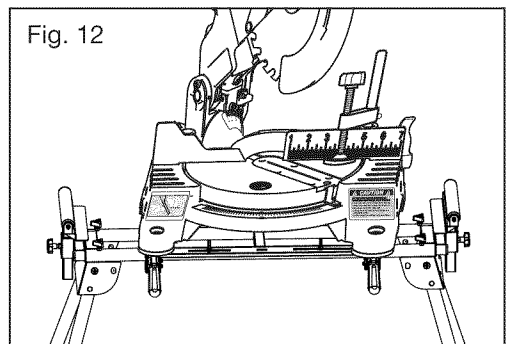
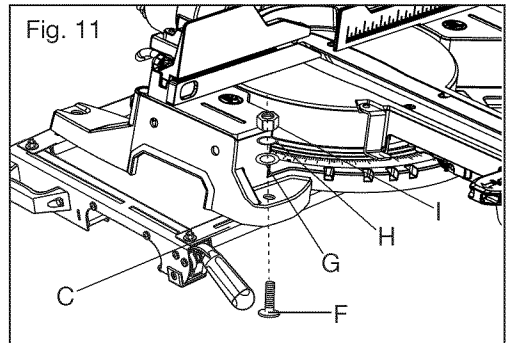
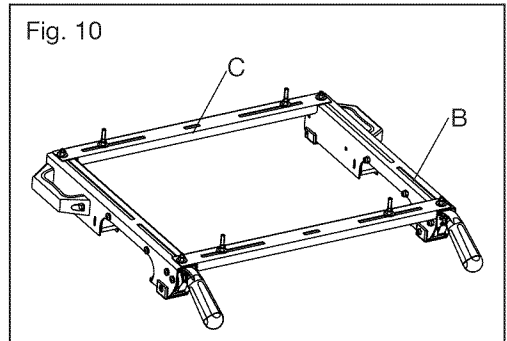
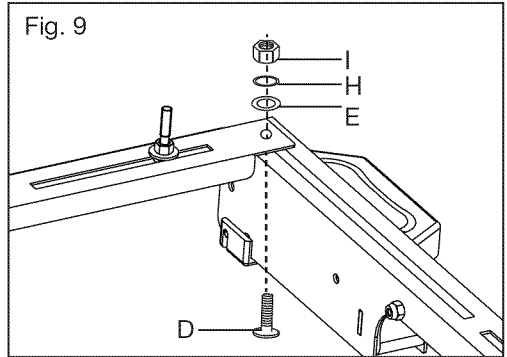


MONTANDO SIERRAS INGLETADORAS NO ESTÁNDAR

NOTA: esta configuración es para sierras ingletadoras en las

Cuales los cuatro agujeros de montaje forman una figura trapezoidal (algunas sierras) y aquellas en las cuales los tres hoyos de montaje forman una figura triangular (pocas sierras).

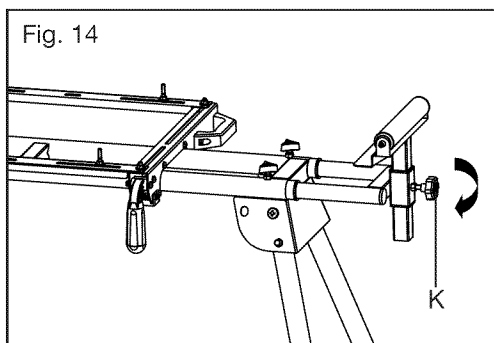
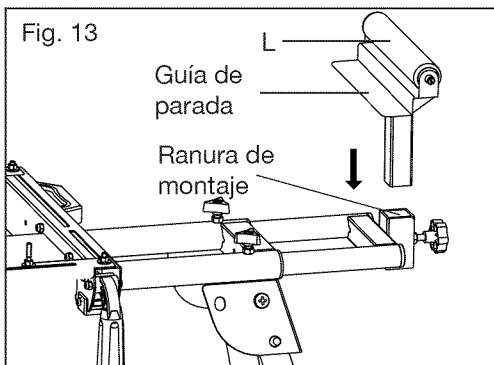
1. Coloque las dos barras de soporte (C) sobre los soportes de montaje (B). Use pernos de montaje para barra de soporte (D), arandelas (E), arandelas de resorte (H) y tuercas de ajuste (I) para pre ajustar las barras de soporte (C) en los soportes de montaje de liberación rápida (B) (figuras 9 y 10).
2. Coloque su sierra ingletadora con agujeros de montaje no estándares sobre las barras de soporte al través (C). Revise la posición y ajuste las barras de soporte lentamente de modo que los hoyos de montaje en la sierra ingletadora queden alineados con las ranuras en las barras de soporte al través (figura 11).
3. Use los pernos de montaje de sierra ingletadora (F), arandelas (G), arandelas de resorte (H), tuercas de ajuste (I) para asegurar la sierra a las barras de soporte (C).
4. Ajuste las tuercas de bloqueo (I) para ajustar totalmente la barra de soporte (C).
5. Una vez montada sobre los soportes para montaje, coloque la Sierra ingletadora sobre el estante (figura 12).



- Adjunte los soportes al estante. Vea la sección Instalando los Soportes para Montaje de Liberación Rápida.

MONTANDO LOS RODILLOS DE ENSAMBLAJE.

- Inserte los rodillos de ensamble (L) en las ranuras de montaje (Fig 13).
- Ajuste la altura de los rodillos de ensamble (L) tanto como sea necesario.
- Asegure los rodillos de ensamble en posición ajustando el perno de bloqueo (K) (Fig. 14).
- Los rodillos de ensamble pueden también usarse como guía de parada estacionaria y servir como paradas positivas para cortes repetidos.



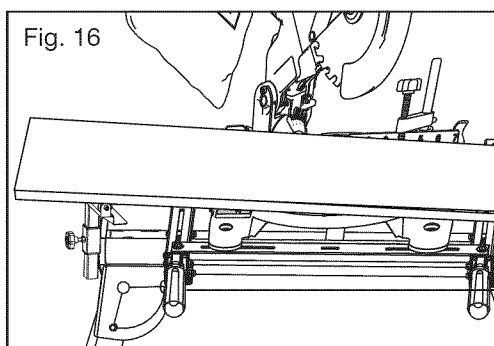
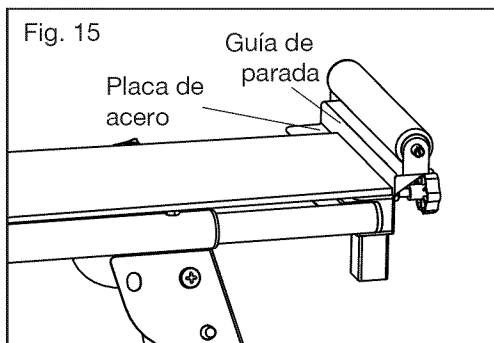
OPERACIÓN DE LOS RODILLOS.

Cuando trabaje con una pieza grande, se necesitan barras de extensión y rodillos.

El rodillo se puede usar como una guía para parar o como rodillo individual para dirección.

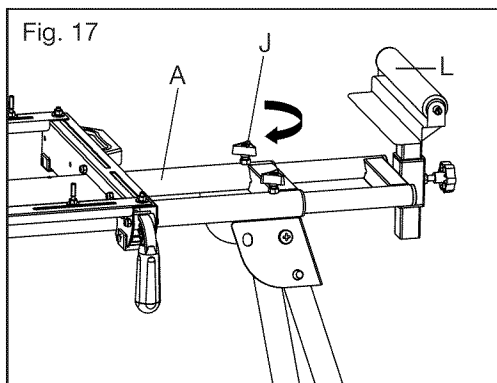
Cuando utilice el rodillo como guía para parar, coloque la pieza contra la placa; el rodillo de ensamble trabaja como una guía para parar y cortar las piezas a la longitud requerida (Fig. 15).

Cuando utilice el rodillo de ensamble como rodillo individual, coloque la pieza en el rodillo para un manejo conveniente (Fig. 16).



AJUSTANDO LAS BARRAS DE EXTENSION (Fig 17).

1. Extiende la barra de extensión a la posición requerida para sostener adecuadamente la pieza.
2. Ajuste totalmente los 2 pernos bloqueadores de la barra de extensión (J).



MANTENIMIENTO

⚠ ADVERTENCIA: Cuando repare, use solamente partes idénticas de reemplazo. El uso de cualquier otra parte puede crear un peligro o causar daño al producto.

MANTENIMIENTO GENERAL

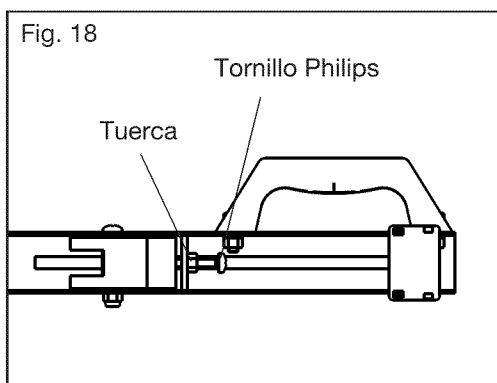
Evite el uso de solventes cuando limpie partes de plástico. La mayoría de plásticos son susceptibles al daño por varios tipos de solventes comerciales y pueden dañarse si se usan. Use telas limpias para sacar suciedad, polvo, aceite, grasa, etc.

⚠ ADVERTENCIA: Cuando repare, use solamente partes idénticas de reemplazo. El uso de cualquier otra parte puede crear un peligro o causar daño al producto. Para asegurar la seguridad y confiabilidad, todas las reparaciones deben ser realizadas por un técnico de servicio calificado.

⚠ ADVERTENCIA: Mantenga el estante seco, limpio, y libre de aceite y grasa. Siempre use una tela limpia para limpiar. Nunca use líquido para frenos, gasolina, productos a base de petróleo, o cualquier solvente fuerte para limpiar el estante. Los químicos pueden dañar, debilitar o destruir plástico lo cual puede resultar en lesión grave personal.

NOTA: Si el soporte para montaje requiere de un ajuste para montar sobre su estante de forma segura:

- Libere la tuerca girándola en contra de las manecillas del reloj.
- Ajuste el tornillo Phillips girándolo en sentido de las manecillas del reloj, y ajuste la tuerca girándola en sentido de las manecillas del reloj.

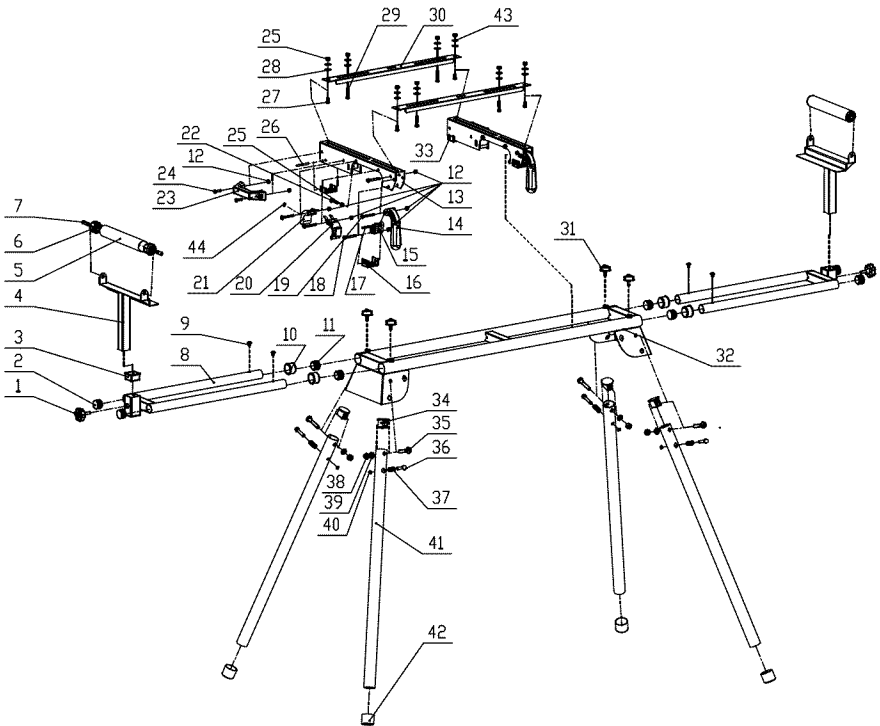


LISTA DE PARTES

ESTANTE UNIVERSAL PARA SIERRA INGLETADORA MODELO NO 320.16491

El Número de Modelo se encuentra en la placa de registro adjunta al marco del estante. Siempre mencione el Número de Modelo cuando ordene partes para esta herramienta.

Para ordenar partes llame al 1-800-469-4663.



LISTA DE PARTES

ESTANTE UNIVERSAL PARA SIERRA INGLETADORA MODELO NO 320.16491

El Número de Modelo se encuentra en la placa de registro adjunta al marco del estante. Siempre mencione el Número de Modelo cuando ordene partes para esta herramienta.

Para ordenar partes llame al 1-800-469-4663.

N°	N° de Pieza	Nombre de la pieza	CANT
1	1020211002	Volante de mano	2
2	1021501001	Bloque de inserción	4
3	1020904001	Boquilla	2
4	2050509006	Rodillo de apoyo	2
5	2040701003	Rodillo	2
6	1020505001	Cubierta	4
7	1010101002	Tornillo	4
8	2040504004	Barra de extension	2
9	1010122025	Tornillo	4
10	1021504001	Bloque	4
11	1021501002	Bloque	4
12	1010202004	Tuerca	14
13	2040107005	Ensamblaje de base	2
14	1020103002	Seguro de manija	2
15	1020801002	Conector	2
16	1021601002	Bloque cuadrado	2
17	1010402011	Perno de resorte	2
18	1010118005	Tornillo de cabeza de abrazadera	8
19	1010118006	Tornillo de cabeza de abrazadera	2
20	1029901002	Bloque con abrazadera	2
21	1020701001	Bloque fijo	2
22	1010119002	Tornillo	2
23	1020102001	Asa	2
24	1010108006	Perno	4

N°	N° de Pieza	Nombre de la pieza	CANT
25	1010201004	Tuerca	10
26	1010402012	Perno de resorte	2
27	1010103010	Perno de montaje de barra de soporte	4
28	1010301030	Arandela de montaje de barra de soporte	8
29	1010103009	Perno	4
30	2040307001	Barra de soporte al través	2
31	102102001	Tomillo	4
32	2040803001	Base de mesa	1
33	1021601001	Bloque cuadrado	2
34	1021503001	Bloque	4
35	1010118004	Perno	4
36	1010407001	Perno	4
37	1010603017	Resorte	4
38	1010202001	Tuerca	4
39	1010301001	Arandela	4
40	1010602001	Anillo de escudo	4
41	2040102001	Manija de pie	4
42	1020906006	Pedal de pie	4
43	1010303003	Arandela de resorte	8
44	1010301007	Arandela plana	2

Free Manuals Download Website

<http://myh66.com>

<http://usermanuals.us>

<http://www.somanuals.com>

<http://www.4manuals.cc>

<http://www.manual-lib.com>

<http://www.404manual.com>

<http://www.luxmanual.com>

<http://aubethermostatmanual.com>

Golf course search by state

<http://golfingnear.com>

Email search by domain

<http://emailbydomain.com>

Auto manuals search

<http://auto.somanuals.com>

TV manuals search

<http://tv.somanuals.com>