

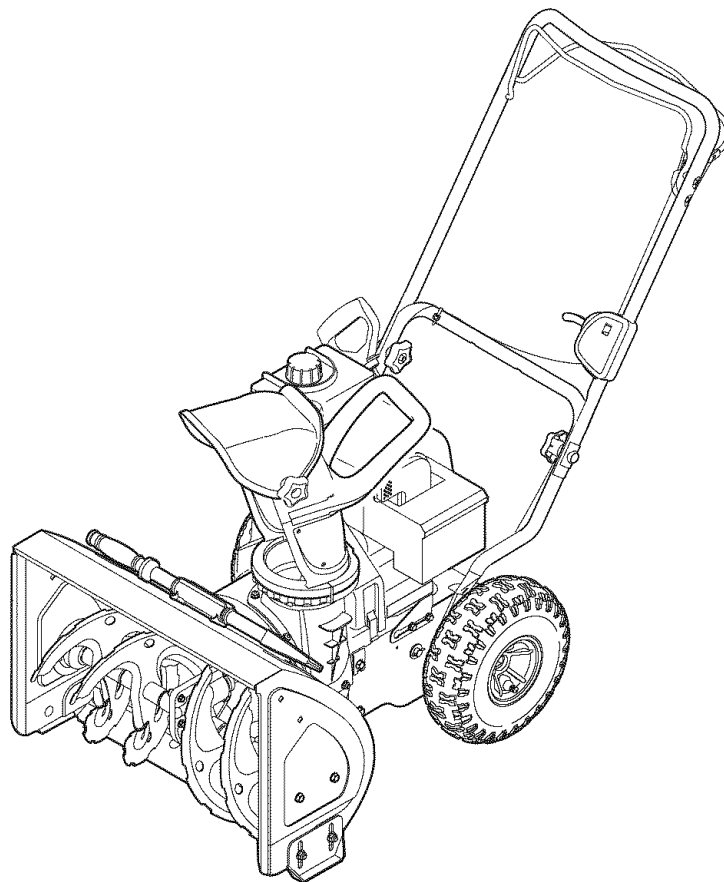
Operator's Manual

CRAFTSMAN®

5.5 Horse Power

24-INCH 4-CYCLE 3-SPEED SNOW THROWER

Model No. 247.88455



CAUTION: Before using this product, read this manual and follow all safety rules and operating instructions.

- SAFETY
- ASSEMBLY
- OPERATION
- MAINTENANCE
- PARTS LIST
- ESPANOL P. 27

Sears, Roebuck and Co., Hoffman Estates, IL 60179, U.S.A.

Visit our website: www.sears.com/craftsman

FORM NO. 769-01910B

5/30/2006

TABLE OF CONTENTS

Warranty Statement	Page 2	Maintenance and Service	Pages 12-15
Safety Labels	Page 3	Off Season Storage & Troubleshooting	Page 16-17
Rules of Safe Operation.....	Pages 4-5	Parts List	Pages 18-25
Set Up & Adjustment.....	Pages 6-7	Español	Page 27
Know Your Snow Thrower.....	Pages 8-9	Service Numbers	Back Cover
Operation	Pages 10-11		

WARRANTY STATEMENT

Two-Year Warranty on Craftsman Snow Thrower

For two years from the date of purchase, when this Craftsman Snow Thrower is maintained, lubricated and tuned up according to the instructions in the owner's manual, Sears will repair, free of charge, any defect in material and workmanship. If this Craftsman snow thrower is used for commercial or rental purposes, this warranty applies for only 30 days from the date of purchase.

This warranty does not cover:

- Expendable items which become worn during normal use, such as skid shoes, shave plate and spark plugs.
- Repairs necessary because of operator abuse or negligence, including bent crankshafts and the failure to maintain the equipment according to the instructions contained in the owner's manual.

WARRANTY SERVICE IS AVAILABLE BY RETURNING THE CRAFTSMAN SNOW THROWER TO THE NEAREST SEARS PARTS & REPAIR CENTER IN THE UNITED STATES.

This warranty applies only while this product is in use in the United States.

TO LOCATE THE NEAREST SEARS PARTS & REPAIR CENTER OR TO SCHEDULE SERVICE, SIMPLY CONTACT SEARS AT 1-800-4-MY-HOME®.

This warranty gives you specific legal rights and you may also have other rights which may vary from state to state.

SEARS, ROEBUCK AND CO., D/817WA, HOFFMAN ESTATES, IL 60179

Repair Protection Agreements

Congratulations on making a smart purchase. Your new Craftsman® product is designed and manufactured for years of dependable operation. But like all products, it may require repair from time to time. That's when having a Repair Protection Agreement can save you money and aggravation.

Here's what's included in the Agreement:

- Expert service by our 12,000 professional repair specialists
- Unlimited service and no charge for parts and labor on all covered repairs
- Product replacement if your covered product can't be fixed
- Discount of 10% from regular price of service and service-related parts not covered by the agreement; also, 10% off regular price of preventive maintenance check
- Fast help by phone – phone support from a Sears technician on products requiring in-home repair, plus convenient repair scheduling

Purchase a Repair Protection Agreement now and protect yourself from unexpected hassle and expense.

Once you purchase the Agreement, a simple phone call is all that it takes for you to schedule service. You can call anytime day or night, or schedule a service appointment online.

Sears has over 12,000 professional repair specialists, who have access to over 4.5 million quality parts and accessories. That's the kind of

professionalism you can count on to help prolong the life of your new purchase for years to come. Purchase your Repair Protection Agreement today!

Some limitations and exclusions apply. For prices and additional information call 1-800-827-6655.

Sears Installation Service

For Sears professional installation of home appliances, garage door openers, water heaters, and other major home items, in the U.S.A. call 1-800-4-MY-HOME®

PRODUCT SPECIFICATIONS

Horse Power: **5.5**
Engine Oil: **SAE 5W-30**
Fuel: **Unleaded Gasoline**
Spark Plug: **Champion® RJ19LM**
Engine: **Tecumseh LH195SP**

MODEL NUMBER

Model Number

Serial Number

Date of Purchase.....

Record the model number, serial number and date of purchase above

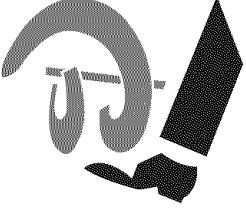
SAFETY LABELS

! DANGER

1. KEEP AWAY FROM ROTATING IMPELLER AND AUGER. CONTACT WITH IMPELLER OR AUGER CAN AMPUTATE HANDS AND FEET.
2. USE CLEAN-OUT TOOL TO UNCLOG DISCHARGE CHUTE.
3. DISENGAGE CLUTCH LEVERS, STOP ENGINE, AND REMAIN BEHIND HANDLES UNTIL ALL MOVING PARTS HAVE STOPPED BEFORE UNCLOGGING OR SERVICING MACHINE.
4. TO AVOID THROWN OBJECTS INJURIES, NEVER DIRECT DISCHARGE AT BYSTANDERS. USE EXTRA CAUTION WHEN OPERATING ON GRAVEL SURFACES.
5. READ OPERATOR'S MANUAL.

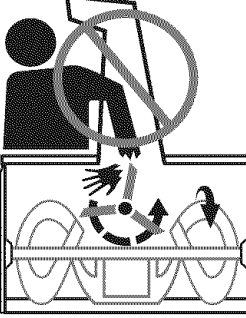
CLEAN-OUT TOOL 

! DANGER



AVOID INJURY FROM ROTATING AUGER - KEEP HANDS, FEET AND CLOTHING AWAY.

! DANGER



- NEVER PUT HAND IN CHUTE. CONTACT WITH ROTATING PARTS CAN AMPUTATE FINGERS AND HANDS.
- SHUT OFF ENGINE AND WAIT UNTIL ALL MOVING PARTS HAVE STOPPED BEFORE UNCLOGGING.
- USE CLEAN-OUT TOOL OR WOODEN STICK TO UNCLOG DISCHARGE CHUTE.

! WARNING

This symbol points out important safety instructions which, if not followed, could endanger the personal safety and/or property of yourself and others. Read and follow all instructions in this manual before attempting to operate this machine. Failure to comply with these instructions may result in personal injury. When you see this symbol **HEED ITS WARNING!**

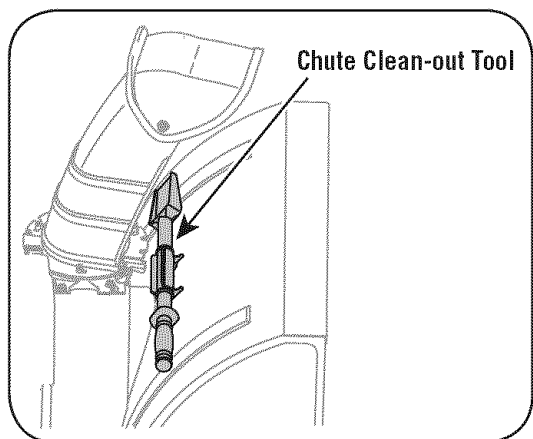
Your Responsibility
Restrict the use of this power machine to persons who read, understand and follow the warnings and instructions in this manual and on the machine.

! WARNING

AVOID SERIOUS INJURY FROM TIRE / RIM EXPLOSION.

TO PREVENT OVER-INFLATION:

- USE A MANUAL PUMP OR PORTABLE ELECTRIC TIRE INFLATOR.
- NEVER USE AN AIR COMPRESSOR.
- INFLATE TIRE TO 20 PSI.



A **chute clean-out tool** is fastened to the top of the auger housing with a mounting clip. The tool is designed to clear a chute assembly of ice and snow. This item is fastened with a cable tie at the factory. Cut the cable tie before operating the snow thrower.



WARNING: Never use your hands to clear a clogged chute assembly. Shut off engine and remain behind handles until all moving parts have stopped before using the clean-out tool to clear the chute assembly.

SAFE OPERATION PRACTICES



WARNING: Engine Exhaust, some of its constituents, and certain vehicle components contain or emit chemicals known to State of California to cause cancer and birth defects or other reproductive harm.

DANGER: This machine was built to be operated according to the rules for safe operation in this manual. As with any type of power equipment, carelessness or error on the part of the operator can result in serious injury. This machine is capable of amputating hands and feet and throwing objects. Failure to observe the following safety instructions could result in serious injury or death.



WARNING: This symbol points out important safety instructions which, if not followed, could endanger the personal safety and/or property of yourself and others. Read and follow all instructions in this manual before attempting to operate this machine. Failure to comply with these instructions may result in personal injury.

When you see this symbol. **HEED ITS WARNING!**

Your Responsibility: Restrict the use of this power machine to persons who read, understand and follow the warnings and instructions in this manual and on the machine.

Training

1. Read, understand, and follow all instructions on the machine and in the manual(s) before attempting to assemble and operate. Keep this manual in a safe place for future and regular reference and for ordering replacement parts.
2. Be familiar with all controls and their proper operation. Know how to stop the machine and disengage them quickly.
3. Never allow children under 14 years old to operate this machine. Children 14 years old and over should read and understand the operation instructions and safety rules in this manual and should be trained and supervised by a parent.
4. Never allow adults to operate this machine without proper instruction.
5. Thrown objects can cause serious personal injury. Plan your snow-throwing pattern to avoid discharge of material toward roads, bystanders and the like.
6. Keep bystanders, helpers, pets and children at least 75 feet from the machine while it is in operation. Stop machine if anyone enters the area.
7. Exercise caution to avoid slipping or falling, especially when operating in reverse.

Preparation

1. Thoroughly inspect the area where the equipment is to be used. Remove all doormats, newspapers, sleds, boards, wires and other foreign objects, which could be tripped over or thrown by the auger/impeller.
2. Always wear safety glasses or eye shields during operation and while performing an adjustment or repair to protect your eyes. Thrown objects which ricochet can cause serious injury to the eyes.
3. Do not operate without wearing adequate winter outer garments. Do not wear jewelry, long scarves or other loose clothing, which could become entangled in moving parts. Wear footwear which will improve footing on slippery surfaces.
4. Use a grounded three-wire extension cord and receptacle for all units with electric start engines.
5. Adjust collector housing height to clear gravel or crushed rock surfaces.
6. Disengage all control levers before starting the engine.
7. Never attempt to make any adjustments while engine is running, except where specifically recommended in the operator's manual.
8. Let engine and machine adjust to outdoor temperature before starting to clear snow.
9. To avoid personal injury or property damage use extreme care in handling gasoline. Gasoline is extremely flammable and the vapors are explosive. Serious personal injury can occur when gasoline is spilled on yourself or your clothes, which can ignite. Wash your skin and change clothes immediately.
 - a. Use only an approved gasoline container.
 - b. Extinguish all cigarettes, cigars, pipes and other sources of ignition.
 - c. Never fuel machine indoors.
 - d. Never remove gas cap or add fuel while the engine is hot or running.
 - e. Allow engine to cool at least two minutes before refueling.
 - f. Never over fill fuel tank. Fill tank to no more than ½ inch below bottom of filler neck to provide space for fuel expansion.
 - g. Replace gasoline cap and tighten securely.
 - h. If gasoline is spilled, wipe it off the engine and equipment. Move machine to another area. Wait 5 minutes before starting the engine.
 - i. Never store the machine or fuel container inside where there is an open flame, spark or pilot light (e.g. furnace, water heater, space heater, clothes dryer etc.).
 - j. Allow machine to cool at least 5 minutes before storing.

SAFE OPERATION PRACTICES

Operation

1. Do not put hands or feet near rotating parts, in the auger/impeller housing or chute assembly. Contact with the rotating parts can amputate hands and feet.
2. The auger/impeller control lever is a safety device. Never bypass its operation. Doing so makes the machine unsafe and may cause personal injury.
3. The control levers must operate easily in both directions and automatically return to the disengaged position when released.
4. Never operate with a missing or damaged chute assembly. Keep all safety devices in place and working.
5. Never run an engine indoors or in a poorly ventilated area. Engine exhaust contains carbon monoxide, an odorless and deadly gas.
6. Do not operate machine while under the influence of alcohol or drugs.
7. Muffler and engine become hot and can cause a burn. Do not touch.
8. Exercise extreme caution when operating on or crossing gravel surfaces. Stay alert for hidden hazards or traffic.
9. Exercise caution when changing direction and while operating on slopes.
10. Plan your snow-throwing pattern to avoid discharge towards windows, walls, cars etc. Thus, avoiding possible property damage or personal injury caused by a ricochet.
11. Never direct discharge at children, bystanders and pets or allow anyone in front of the machine.
12. Do not overload machine capacity by attempting to clear snow at too fast of a rate.
13. Never operate this machine without good visibility or light. Always be sure of your footing and keep a firm hold on the handles. Walk, never run.
14. Disengage power to the auger/impeller when transporting or not in use.
15. Never operate machine at high transport speeds on slippery surfaces. Look down and behind and use care when backing up.
16. If the machine should start to vibrate abnormally, stop the engine, disconnect the spark plug wire and ground it against the engine. Inspect thoroughly for damage. Repair any damage before starting and operating.
17. Disengage all control levers and stop engine before you leave the operating position (behind the handles). Wait until the auger/impeller comes to a complete stop before unlogging the chute assembly, making any adjustments, or inspections.
18. Never put your hand in the discharge or collector openings. Always use the clean-out tool provided to unclog the discharge opening. Do not unclog chute assembly while engine is running. Shut off engine and remain behind handles until all moving parts have stopped before unlogging.
19. Use only attachments and accessories approved by the manufacturer (e.g. wheel weights, tire chains, cabs etc.).
20. If situations occur which are not covered in this manual, use care and good judgment. Contact your Sears Service Center for assistance.

Maintenance & Storage

1. Never tamper with safety devices. Check their proper operation regularly. Refer to the maintenance and adjustment sections of this manual.
2. Before cleaning, repairing, or inspecting machine disengage all control levers and stop the engine. Wait until the auger/impeller come to a complete stop. Disconnect the spark plug wire and ground against the engine to prevent unintended starting.
3. Check bolts and screws for proper tightness at frequent intervals to keep the machine in safe working condition. Also, visually inspect machine for any damage.
4. Do not change the engine governor setting or over-speed the engine. The governor controls the maximum safe operating speed of the engine.
5. Snow thrower shave plates and skid shoes are subject to wear and damage. For your safety protection, frequently check all components and replace with original equipment manufacturer's (OEM) parts only. "Use of parts which do not meet the original equipment specifications may lead to improper performance and compromise safety!"
6. Check controls periodically to verify they engage and disengage properly and adjust, if necessary. Refer to the adjustment section in this operator's manual for instructions.
7. Maintain or replace safety and instruction labels, as necessary.
8. Observe proper disposal laws and regulations for gas, oil, etc. to protect the environment.
9. Prior to storing, run machine a few minutes to clear snow from machine and prevent freeze up of auger/impeller.
10. Never store the machine or fuel container inside where there is an open flame, spark or pilot light such as a water heater, furnace, clothes dryer etc.
11. Always refer to the operator's manual for proper instructions on off-season storage.

Do not modify engine

To avoid serious injury or death, do not modify engine in any way. Tampering with the governor setting can lead to a runaway engine and cause it to operate at unsafe speeds. Never tamper with factory setting of engine governor.

Notice regarding Emissions

Engines which are certified to comply with California and federal EPA emission regulations for SORE (Small Off Road Equipment) are certified to operate on regular unleaded gasoline, and may include the following emission control systems: Engine Modification (EM) and Three Way Catalyst (TWC) if so equipped.

Engine Identification Decal

This decal indicates the engine's model number, specification and the date of manufacture. Please look at the decal on the engine of your equipment and record these information for future reference.

The engine identification decal also includes engine life specifications for the emissions-related useful life period of the engine. This period relates to the emission compliance life as certified by EPA and/or CARB. To find the life period specification of the engine, please read the engine decal and locate the letter (enclosed by quotation marks) between the words Moderate and Life Period. Match one of the following letters with the letter printed on your decal. For example, HMSK 80 models are designated as:

- "C" — 250 hours
- "B" — 500 hours
- "A" — 1000 hours

ASSEMBLY

IMPORTANT: This unit is shipped with the engine full of oil. After assembly, see page 10 for fuel and oil details.

Removing From Carton

1. Cut the corners of the carton and lay the sides flat on the ground. Remove all packing inserts.
2. The upper handle is packaged unattached to the snow thrower, though connected by cables. Move the snow thrower and upper handle out of the carton.
3. Make certain the carton has been completely emptied before discarding it.

Before Assembly



WARNING: Disconnect the spark plug wire and Ground it against the engine to prevent unintended starting.

NOTE: Reference to right, left, front or rear of the unit is from the operating position unless otherwise stated.

Setting Up The Handle

1. If applicable, remove cable tie securing upper handle to lower handle for shipping purposes. Remove all protective plastic wrapping from handles as shown in Figure 1.

NOTE: Be careful NOT to remove the three loosely fitted cable ties that will be utilized later to secure cables.

2. Loosen and remove the star knob, handle tab, and carriage screw on each side of the lower handle. See Figure 2.
3. Slide one of the loosely fitted cable ties from the right side of the lower handle up to the cross member of the lower handle. Leave the second cable tie in place on the right side of the lower handle.

IMPORTANT: It will be necessary to lift the upper handle while sliding up this cable tie to prevent damage to the cable.

4. Lift the upper handle up and position it over the lower handle, aligning the holes where the star knobs were removed (1).

CAUTION: Be careful not to bend or kink the cables.

5. Insert a carriage screw from the outside through a handle tab, the upper and lower handles, and into the star knob (2). Repeat on the other side.
6. Tighten the star knobs on each side of the handle. Refer to Figure 3.

NOTE: The auger cable and speed control cable route down the left lower handle from the speed control box. The drive cable is routed across the top of the lower handle and down the right side of the lower handle. See Figure 4.

7. Three cable ties have been used to loosely tie the control cables to the lower handle, including the cable tie you relocated in step 3. Position cable ties now, as in Figure 4, and tighten to secure cables to the lower handle. Trim off excess material of cable ties.

Skid Shoe

The space between the shave plate and the ground can be adjusted. Refer to Figure 6 on page 8 for location of shave plate and skid shoes. For close snow removal, place skid shoes in low position. When area to be cleared is uneven, place skid shoes in the middle or high position. See Figure 5.

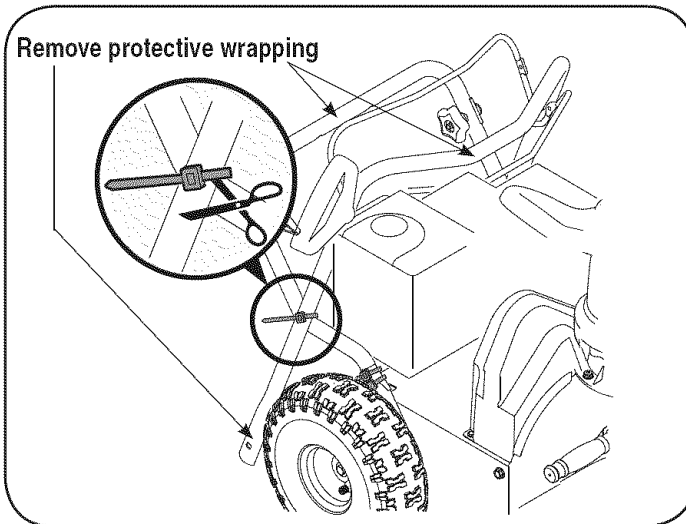


Figure 1

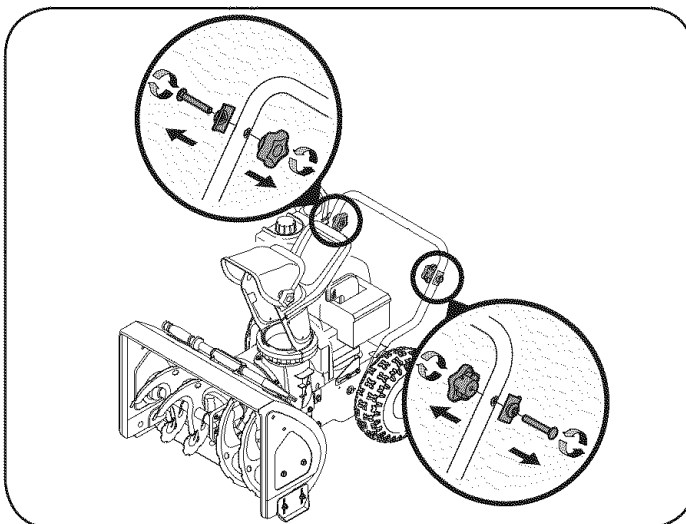


Figure 2

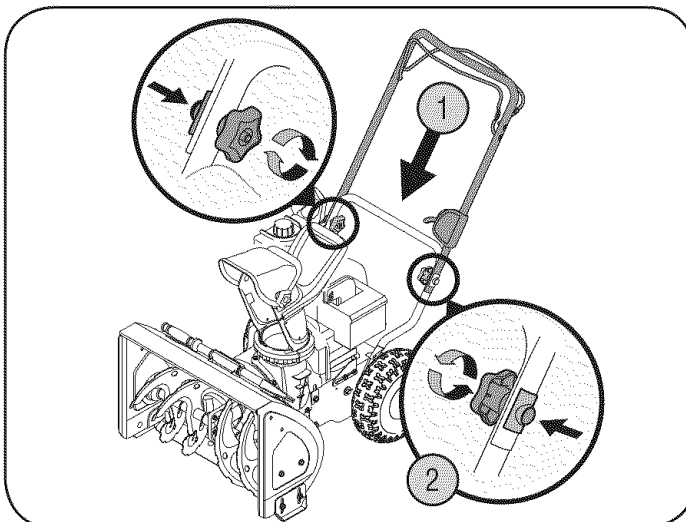


Figure 3

ASSEMBLY

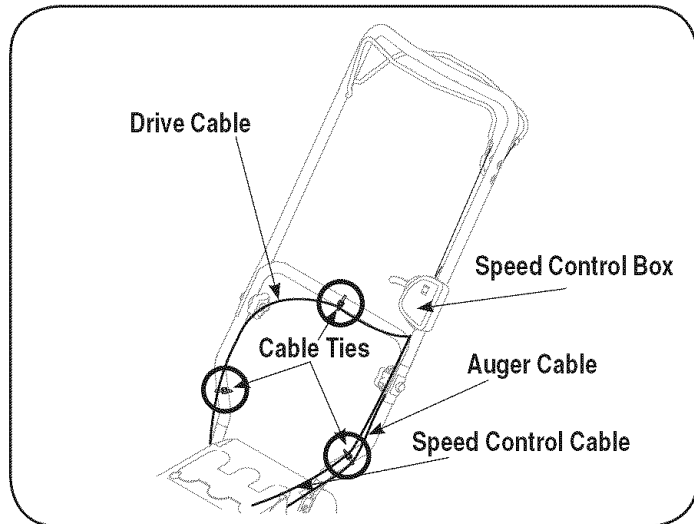


Figure 4

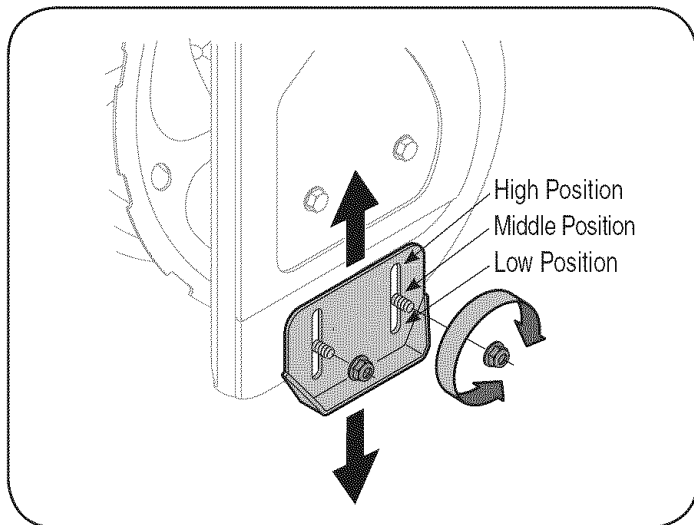


Figure 5

NOTE: Operation of this snow thrower on gravel is not recommended as loose gravel can be easily picked up and thrown by the auger causing personal injury or damage to the snow thrower. If you have to operate it on gravel, keep skid shoe in highest position for maximum clearance.

1. Adjust skid shoes by loosening two nuts and carriage bolts on each skid shoe, and moving skid shoe to the desired position. See Figure 5.
2. Make certain the entire bottom surface of skid shoe is against the ground to avoid uneven wear on the skid shoes.
3. Tighten nuts and bolts securely.

Clean-Out Tool

This tool has been fastened with a cable tie to the rear of the auger housing for shipping purposes. Cut and remove cable tie as instructed on page 3.

Final Adjustments

IMPORTANT: Check the adjustments as instructed and make any final adjustments necessary before operating the unit. Check all nuts and bolts for tightness. Failure to follow these instructions may cause damage to unit.

Tire Pressure

The proper inflation pressure is 20 psi. Check the tire pressure periodically and maintain equal pressure in both tires at all times. Excessive pressure (well above 20 psi) may cause the wheel (tire/rim) assembly to burst with sufficient force to cause serious injury. Do not over-inflate the tire. Use a manual pump or portable electric tire inflator to prevent over-inflation. NEVER USE AN AIR COMPRESSOR.



WARNING: Over-inflating the tire with excessive pressure (well above 20 psi) may cause the tire/rim to burst with sufficient force to cause serious pressure.

Auger Control Test

IMPORTANT: Perform the following test before operating the snow thrower for the first time and at the start of each winter season.

Check the adjustment of the auger control as follows:

1. When auger control is released and in the disengaged "up" position, cable should have very little slack, but should NOT be tight.



WARNING: Do not over-tighten the cable. Over-tightening may prevent the auger from disengaging and compromise the safety of the snow thrower.

2. In a well-ventilated area, start the snow thrower engine as instructed on page 10 under the heading Starting Engine. Make sure the throttle is set in the FAST position.
3. While standing in operator's position (behind unit) engage auger.
4. Allow auger to remain engaged for approximately ten (10) seconds before releasing the auger control. Repeat this several times.
5. With the engine running in the FAST position and the auger control in the disengaged "up" position, walk to the front of the machine.
6. Confirm that the auger has completely stopped rotating and shows NO signs of motion.

IMPORTANT: If the auger shows ANY signs of rotating, immediately return to the operator's position and shut off the engine. Wait for all moving parts to stop before readjusting the auger control cable as shown on page 13.

Know Your Snow Thrower

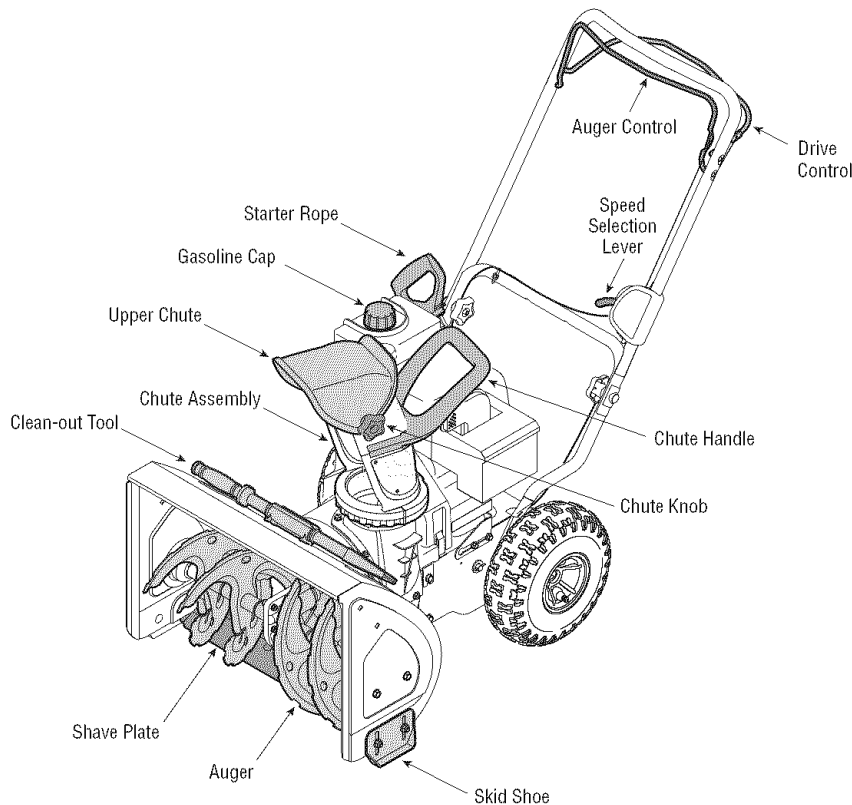


Figure 6



WARNING: Be familiar with all the controls on the snow thrower and their proper operation. Know how to stop the machine and disengage them quickly.

NOTE: Compare Figures 6 & 7 with your equipment and follow description of controls, given below, to become familiar with their operation.

Drive Control

Located on the underside of the upper handle, the drive control is used to engage/disengage wheels. Squeeze the drive control against the upper handle to engage the wheels; release to disengage.

Auger Control

The auger control is adjacent to the upper handle. Squeeze the auger control against the upper handle to engage the augers; release to disengage the augers.



WARNING: Never make adjustments to the chute assembly unless both auger and drive controls are disengaged and the operator is standing beside the unit.

IMPORTANT: Refer to Auger Control Test on page 7 prior to operating your snow thrower. Read and follow all instructions carefully and perform all adjustments to verify your snow thrower is operating safely and properly.

Chute Handle

The direction of snow throwing corresponds to the direction of the chute opening. Use the chute handle to turn the chute assembly in the direction you wish to throw the snow.

Chute Knob

The distance snow is thrown can be adjusted by either raising or lowering the upper chute. Loosen the chute knob on the side of the upper chute to adjust. Pivot the upper chute to desired position, and retighten the chute knob.

Speed Selection Lever

Your snow thrower is equipped with a 3-speed power propelled drive system. The speed is controlled by this speed selection lever, located on the left side of the upper handle. Three speeds are provided. With the lever all the way down, towards the engine, speed 1 is your slowest speed.

IMPORTANT: To shift gears, the unit must be running and the drive control must be released.

Shave Plate

The shave plate maintains contact with pavement as the snow thrower is propelled, allowing snow close to pavement's surface to be discharged.

Skid Shoe

The space between the shave plate and the ground can be adjusted. For close snow removal, place skid shoes in the low position. Use middle or high position when area to be cleared is uneven or on gravel surfaces.

Know Your Snow Thrower

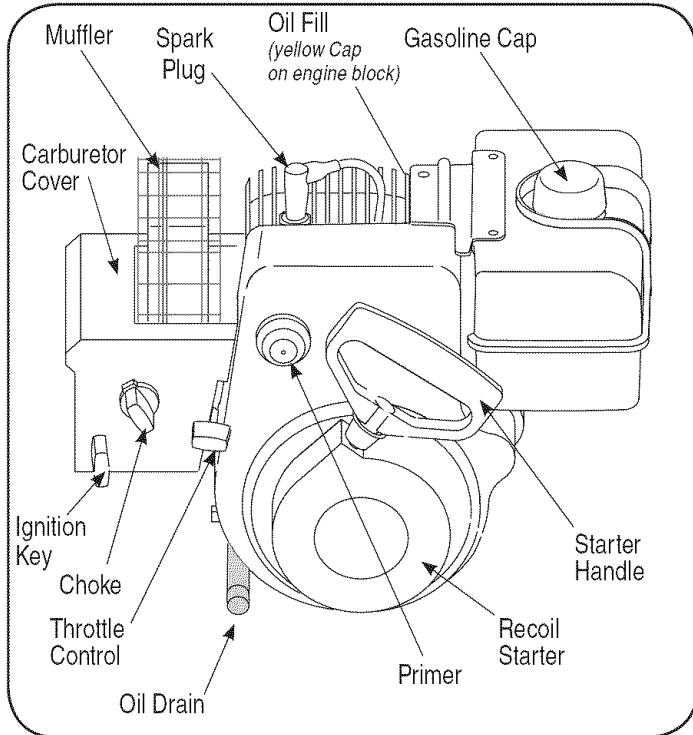


Figure 7

Clean Out Tool

The clean out tool is provided to unclog the discharge opening. Do not unclog discharge chute while engine is running.



WARNING: Before unclogging, shut off engine and remain behind handles until all moving parts have stopped completely. Never put your hand in the discharge or collector openings. Always use the clean-out tool provided.

Choke Control

Activating choke control closes the choke plate on carburetor and aids in starting engine. For information on choke usage, see page 10 of this manual.

Recoil Starter & Starter Handle

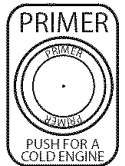
This motor is fitted with a recoil action pull start and a mitten grip handle for easy access while wearing gloves or mittens.

Ignition Key

The ignition key is necessary for the engine to start. Insert key and snap in place; do not turn it to start/stop the unit. Remove key when the unit is not in use.

Primer

Depressing primer forces fuel directly into engine's carburetor to aid in cold-weather starting. Refer to the starting instructions in the Operation section of this manual for proper primer usage.



Oil Fill

Remove oil cap to add oil. Refer to page 14 for checking and adding oil instructions.

Gasoline Cap

Remove gas cap to add fuel. Unit runs on regular gas.

NOTE: This unit may include a fuel plug, which is only used during assembly to keep dirt and debris out of fuel tank. Discard the fuel plug before filling the fuel tank.

Throttle Control

The throttle control is located on the engine. It regulates the speed of the engine and also stops the engine. The image to the right represents the speeds of the throttle control.



Operation

Before Starting Engine

Engine Oil

The engine is shipped with oil in it. Check the oil level before first use. For subsequent fill-ups, use the grade of engine oil specified on page 14. To add oil:

1. Remove the dipstick from the oil fill. Pour fresh oil slowly through the plug. Replace dipstick.
2. Check and make sure that the level of oil is up to the FULL mark on the dipstick.

Gasoline



WARNING: Gasoline is flammable and caution must be used when handling or storing it. Do not fill fuel tank while the snow thrower is running, when it is hot or when it is in an enclosed area.



WARNING: Keep your snow thrower away from any open flame or an electrical spark and do not smoke during fueling.

1. Never fill the fuel tank completely. Fill the tank to no more than 1/2 inch below bottom of filler neck to provide space for expansion of fuel.

NOTE: This unit may include a fuel plug, which is only used during assembly to keep dirt and debris out of fuel tank. Discard the fuel plug before filling the fuel tank.

2. Always use clean, fresh, unleaded grade automotive gasoline. Fill the fuel tank outdoors and use a funnel or spout to prevent spilling. Make sure that the container from which you pour the gasoline is clean and free from rust or other foreign particles. Make sure to wipe off any spilled fuel before starting the engine.
3. At the end of the job, empty the fuel tank if the snow thrower is not going to be used for 30 days or longer. Store gasoline in a clean container and keep the cap in place on the container.

CAUTION: Never use engine or carburetor cleaner products in the fuel tank.

To Start Engine



WARNING: Be sure no one other than the operator is standing near the snow thrower while starting or operating. Do not operate this snow thrower unless the chute assembly has been properly installed and is secured.

NOTE: For location of all the engine controls referred to in this section, refer to Figure 7.

For A Cold Start

1. Make sure that auger and drive controls are released. Attach spark plug wire to spark plug.
2. Turn fuel valve on, if so equipped.
3. Move throttle control to FAST position.
4. Push key into the ignition slot so that it snaps into place. Do not turn key.
5. Rotate choke control to FULL choke position.

6. Push primer button while covering the vent hole. Remove your finger from the primer between primes. Do not prime if temperature is above 50° F; prime two times between 50° F and 15° F; and prime four times below 15° F.
7. Grasp starter handle and pull rope out slowly until engine reaches start of compression cycle (rope will pull slightly harder at this point). Let the rope rewind slowly.
8. Pull rope with a rapid, continuous, full arm stroke. Keeping a firm grip on the starter handle, let the rope return to the starter slowly. Repeat until engine starts.
9. As the engine warms up, rotate the choke knob slowly to OFF position. If the engine falters, return to FULL choke, then slowly move to OFF choke position.
10. Allow the engine to warm up for a few minutes because the engine will not develop full power until it reaches operating temperature.
11. Operate the engine at full throttle (FAST) when throwing snow.

For A Warm Start:

1. If restarting an engine after a temporary shut-down, rotate choke to OFF instead of FULL and do not prime. Pull starter handle as instructed before.

Before Stopping

1. Run engine for a few minutes to help dry off any moisture on engine.
2. To avoid possible freeze-up of the starter, follow these steps:

Recoil Starter

- a. With the engine running, pull the starter rope with a rapid, continuous full arm stroke three or four times.

To Stop The Snow Thrower

1. To stop the wheels, release the drive control.
2. To stop throwing snow, release the auger control.
3. To stop engine, push throttle control lever to OFF and pull out the key. Do not turn key.



WARNING: The temperature of muffler and the surrounding areas may exceed 150° F. Avoid these areas

Clearing The Snow

CAUTION: Check the area to be cleared for foreign objects. Remove foreign objects, if any.

1. Start the engine following starting instructions.
2. Allow the engine to warm up for a few minutes as the engine will not develop full power until it reaches operating temperature.
3. Rotate the chute assembly to the desired direction, away from bystanders and/or buildings.
4. Making certain no bystanders or obstacles are in front of the unit, squeeze the auger control completely against the upper handle to fully engage the augers.
5. While the auger control is engaged, squeeze the drive control completely against the upper handle to engage the wheels. Do not "feather" the drive control.

Operation

6. As the snow thrower starts to move, maintain a firm hold on the handle, and guide the snow thrower along the path to be cleared.
7. Release the auger and drive controls to stop the snow throwing action and forward motion.

NOTE: Your unit is equipped with a clutch in the transmission. If the wheels stop turning while trying to discharge large volumes of snow, immediately disengage the drive control and allow the rotating augers to discharge snow from the housing. Reduce the clearing width and continue operation.

8. On each succeeding pass, readjust the chute assembly to the desired position and slightly overlap the previously cleared path.

Speed Selector Lever

Your unit is equipped with a 3-speed power propelled drive system. Speed position 1, when the lever is depressed all the way down toward the motor, is Slow. Speed position 2 is a little faster and 3 is the fastest. See Figure 8.

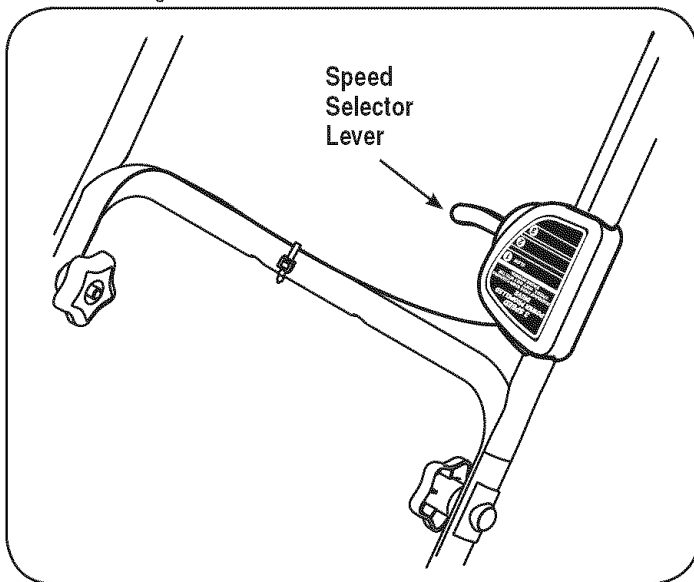


Figure 8

To operate this function, follow these instructions:

1. Shift your snow thrower only while the engine is running.
2. Release drive control handle before shifting.

Positioning Discharge Chute

Loosen the chute knob and pivot upper chute to desired position. Tighten the chute knob making sure the carriage bolt is correctly positioned.

Rotate chute handle to desired operating position. See Figure 9.



WARNING: Do not lift the snow thrower at any time by the chute handle.

Operating Tips

1. For most efficient snow removal, remove snow immediately after it falls.
2. Discharge snow downwind whenever possible. Slightly overlap each previous path.
3. Set the skid shoes 1/4" below the shave plate for normal usage. The skid shoes may be adjusted upward for hard-packed snow.

NOTE: It is not recommended that you operate this snow thrower on gravel as loose gravel can be easily picked up and thrown by the auger causing personal injury and/or damage to the snow thrower.

4. If for some reason, you have to operate the snow thrower on gravel, keep the skid shoe in the highest position for maximum clearance between the ground and the shave plate.
5. Clean the snow thrower thoroughly after each use.

Cleaning The Chute Assembly

The clean-out tool is conveniently fastened to the auger housing with a mounting clip.

When snow and ice collect in the chute assembly during operation, use this tool to safely clean the chute and chute opening. Follow the steps below to operate it.



WARNING: Stop engine by moving throttle lever to stop position and wait for all moving parts to stop before using the clean-out tool.

1. Release both auger and drive controls.
2. Stop the engine by moving throttle lever to stop position.
3. Remove the clean-out tool from the clip which secures it to the rear of the auger housing.
4. Use the shovel-shaped end of the clean-out tool to dislodge and scoop any snow and ice which has formed in and near the chute assembly.



WARNING: Never use your hands to clean snow and ice from the chute assembly or auger housing.

5. Re-fasten the clean-out tool, with the handle on the right side of the housing, to the mounting clip on the auger housing. You can start operating your snow thrower now. See Figure 9.

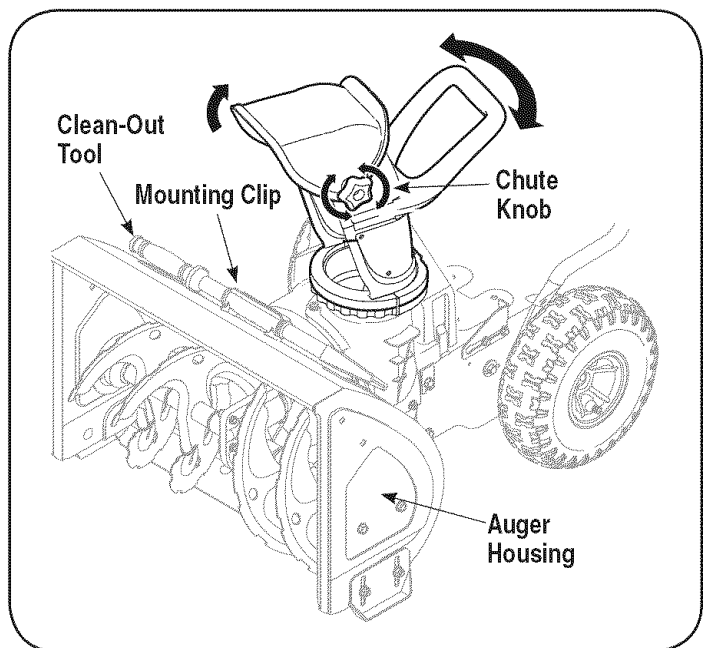


Figure 9

Maintenance & Service

General Recommendations

1. Always observe safety rules when performing any maintenance.
2. The warranty on this snow thrower does not cover items that have been subjected to operator abuse or negligence. To receive full value from the warranty, operator must maintain the snow thrower as instructed in this manual.
3. Periodically check all fasteners and hardware to make sure these are tight.



WARNING: Before servicing, repairing, lubricating or inspecting, disengage all controls and stop engine. Wait until all moving parts have come to a complete stop. Disconnect spark plug wire and ground it against the engine to prevent unintended starting. Always wear safety glasses during operation or while performing any adjustments or repairs.

Replacing the Shave Plate and Skid Shoes

The shave plate and skid shoes on the bottom of the snow thrower are subject to wear. These should be checked periodically and replaced when necessary.

1. To replace, remove two carriage bolts and nuts securing each skid shoe to the auger housing. See Fig. 10.
2. Reassemble new skid shoes with hardware just removed. Make sure the skid shoes are adjusted to be level.
3. **To remove shave plate:** Remove both skid shoes and hardware including carriage bolts and nuts which attach shave plate to the snow thrower housing. For location of shave plate, see Figure 10.
4. Reassemble new shave plate, making sure heads of the carriage bolts are to the inside of the housing. Reinstall skid shoes. Tighten securely.

Servicing Augers

The augers are secured to the spiral shaft with four shear pins and cotter pins. If you hit a foreign object or ice jam, the snow thrower is designed so that the pins may shear. Refer to Figure 10.

If the augers do not turn, check if the pins have sheared. Replace, if needed, with proper shear pins. Refer to item 42 on page 19 for part number.

IMPORTANT: NEVER replace the auger shear pins with standard pins or fasteners. Any damage to the auger gearbox or other components, as a result of doing so, will NOT be covered by your snow thrower's warranty.

Lubrication

For a view of the lubrication points on the snow thrower, see Figure 11.

1. Lubricate pivot points on the auger control and drive control with a light engine oil once a season.
2. Lubricate the auger idler bracket with a light engine oil once a season.

Engine

Listed below are general recommendations about maintaining your snow thrower engine.

1. Before operating snow thrower, check the oil level.
2. Change engine oil after first two hours of operation and every 25 hours thereafter.

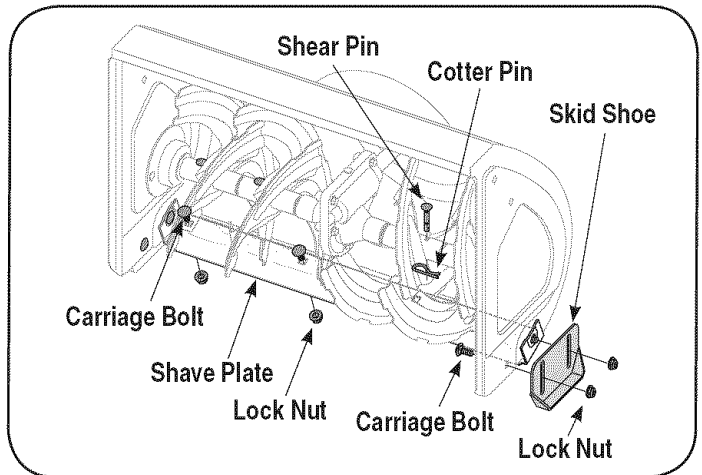


Figure 10

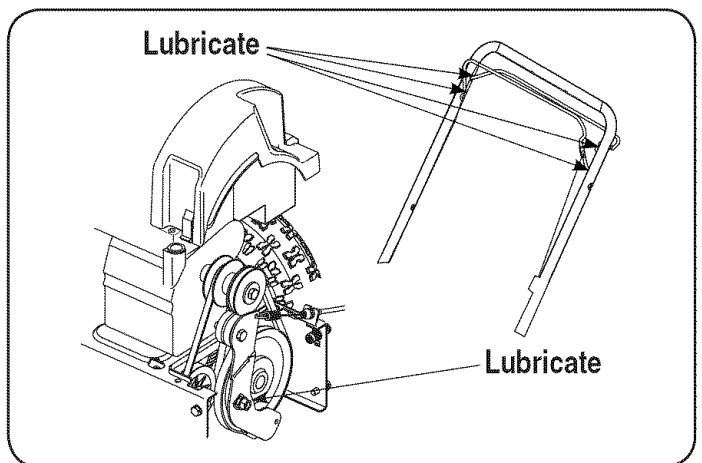


Figure 11

3. Clean spark plug and reset the electrode gap to 0.030" at least once a season or every 100 hours of operation; replace every 200 hours of operation.

Check V-Belts

Follow instructions below to check condition of drive belts every 50 hours of operation.

1. Remove the plastic belt cover on the front of the engine by removing the self-tapping screw and pressing the plastic tabs to release the belt cover.
2. Visually inspect for frayed, cracked, or excessively worn out belts. Replace, if necessary, follow instructions below.

Replacing Belts

NOTE: There are two belts on this snow thrower: an auger belt and drive belt. It is recommended that both belts be replaced at the same time.

1. Remove the spark plug wire from spark plug and ground it against the engine to prevent accidental starting.
2. Drain gasoline from the gas tank below ½ tank or run the machine below half a tank, or place a piece of plastic sheet underneath the gas cap to prevent gasoline leakage.

Maintenance & Service

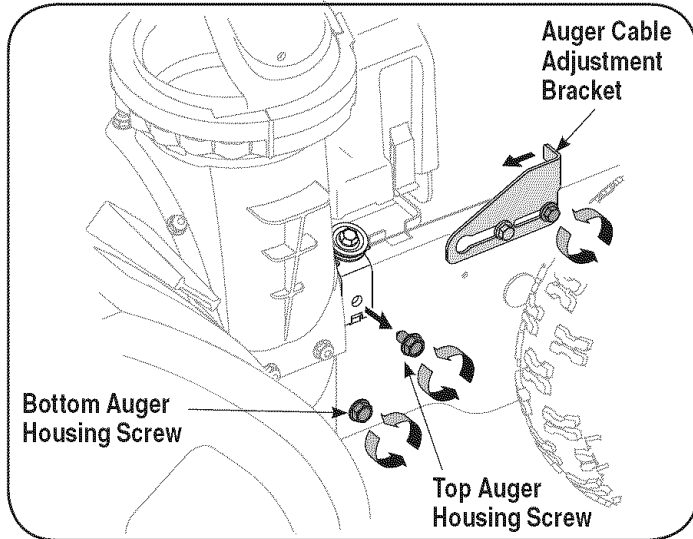


Figure 12

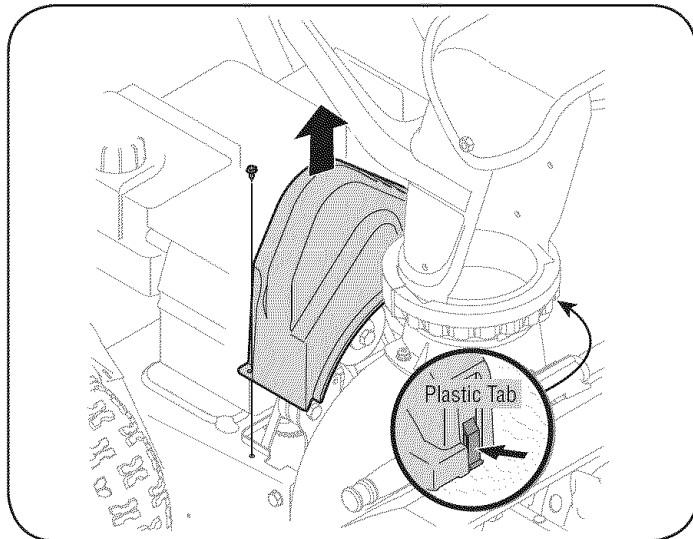


Figure 13

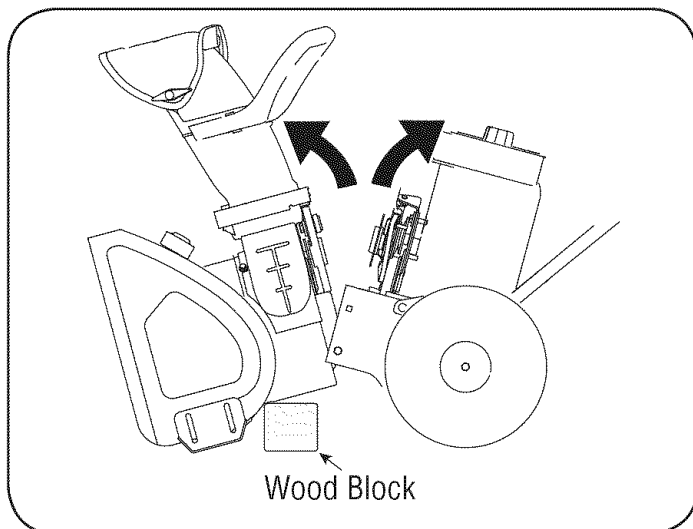


Figure 14



WARNING: Perform belt maintenance outdoors as some gas may possibly leak from the carburetor even though you placed a sheet of plastic underneath the gas cap to prevent the gas cap from leaking.

Adjusting The Auger Cable

Periodic adjustment to the auger control cable may be required due to normal stretch and wear on the belt. Adjustment is needed if the augers seem to hesitate while turning, but the engine maintains speed, or continue turning with the auger control disengaged.

1. Loosen the rear hex bolt on the cable adjustment bracket. See Figure 12.
2. Slide the cable adjustment bracket backwards taking out the slack in the auger cable.
3. Retighten the rear hex bolt
4. Start engine and verify auger control engages and disengages properly.

NOTE: If auger continues to rotate with the control disengaged, shut off engine and readjust.

Auger Belt

1. Loosen the rear screw on the auger cable adjustment bracket using a 3/8" wrench and slide the bracket all the way forward to provide maximum slack in the auger cable. See Figure 12.
2. Remove the belt cover screw using a 5/16 socket with extension and slightly raise belt cover. You must also unclip the plastic tab on the other side to raise this up. Do not attempt to remove the belt cover from the unit at this time. See Figure 13.
3. Loosen the bottom auger housing mounting screw on each side one(1) full turn using a 1/2" socket. See Figure 12.
4. Using the same socket wrench, remove the top auger housing mounting screws on each side.

NOTE: The top auger housing screw on the left side also secures the auger cable bracket and cable roller. Pay attention to its location and how it is positioned for reference during reassembly.

5. Push down on the unit's handle, this will allow the belt cover to be easily removed and will give access for the following belt maintenance procedures.
6. After removing the belt cover, slip the front auger belt off of the engine pulley by pushing it forward and rolling in off of the pulley.
7. Push down on the unit's handle further opening this area and providing better access to the auger pulley. You may wish to place a wood block under the auger housing to hold the unit open. See Figure 14
8. Push the auger belt idler pulley in releasing the auger brake, which is the tab that holds the belt onto the auger pulley. Remove the belt.
9. Replace with new belt after replacing the drive belt.

NOTE: If not replacing drive belt, then proceed to Step 5 in the Drive Belt section.

Maintenance & Service

Drive Belt

NOTE: To replace the Drive Belt, you must first follow Auger Belt instructions. Replace the drive belt before reassembling the new auger belt.

1. Remove hairpin clip and pivot rod from unit. See Figure 15.
2. Maneuver control arm out and disconnect drive cable.
3. Pull idler pulley on right hand side out, releasing tension on drive belt. Remove drive belt from idler pulley and transmission pulley. See Figure 16
4. Rotate control arm in order to maneuver belt from unit. Remove belt and replace with new belt.

NOTE: Be sure to maintain position of the multi-speed pulley assembly so that the belt locator pin in the top position.

5. Reassemble in the exact opposite order.
6. After reassembly is completed, be sure to adjust the auger cable. Refer to the "Adjusting Auger Cable" instructions on Page 13 of this manual.

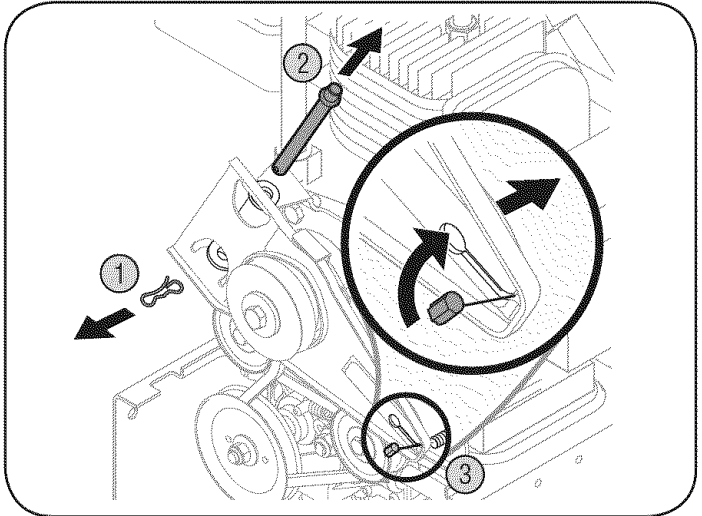


Figure 15

Checking Oil Level

Before operating snow thrower, check the oil level by following steps below.

1. With engine on level ground, oil must be to FULL mark on dipstick.
2. Stop engine and wait several minutes before checking oil level. Remove oil fill cap and dipstick.
3. Wipe dipstick clean, insert it into oil fill hole and tighten snugly.
4. Remove dipstick and check. If oil is not up to the FULL mark on dipstick, add oil.

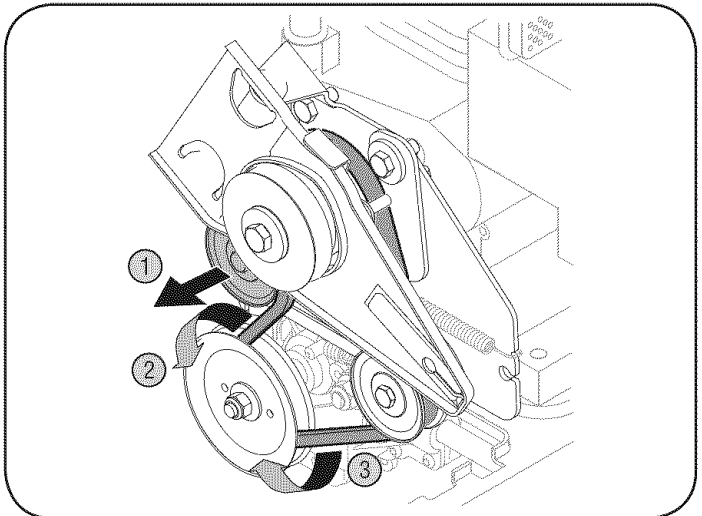
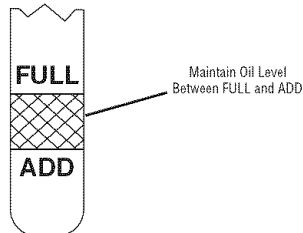


Figure 16

Changing Oil

Change engine oil after first two hours of operation and every 25 hours thereafter. In order to change oil, you will have to first drain the used engine oil from the engine and then refill with fresh oil.

1. Drain oil while engine is warm. Remove oil drain plug located at the bottom of the recoil starter of the engine. Catch oil in a suitable container.
2. When engine is drained of all oil, replace drain plug securely.
3. Remove the dipstick from the oil fill. For location of the oil fill, see Figure 7. Pour fresh oil slowly through the plug. Replace dipstick.
4. Check and make sure that the level of oil is up to the FULL mark on the dipstick.

NOTE: Although multi-viscosity oils (5W30, 10W30, etc.) improve starting in cold weather, they could also result in higher oil consumption when used above 32° F. Check your snow thrower's engine oil level more frequently to avoid possible engine damage from running low on oil. See the Viscosity Chart in Figure 17.

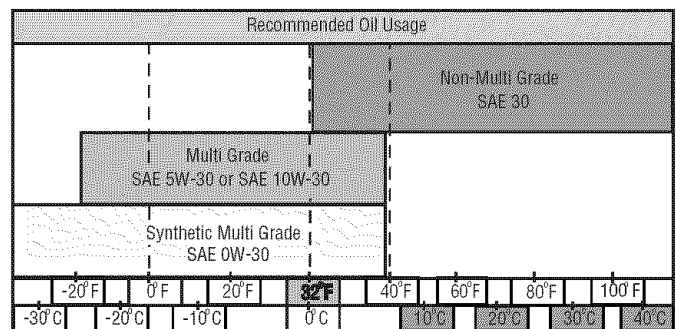


Figure 17

Maintenance & Service

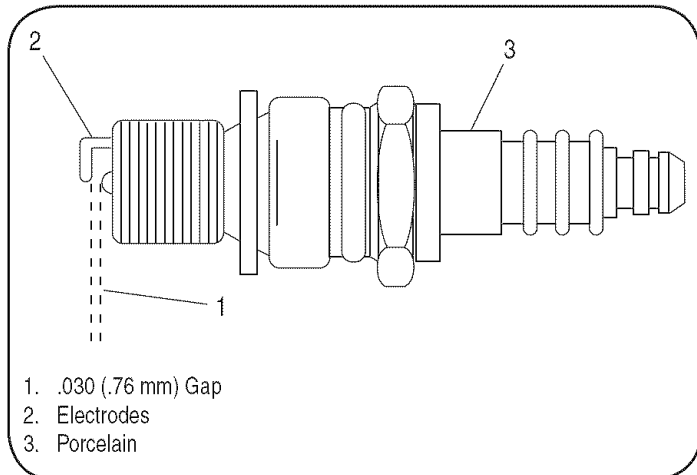


Figure 18

Check Spark Plug

Clean spark plug and reset the electrode gap to 0.030" at least once a season or every 100 hours of operation; replace every 200 hours of operation.

1. Clean area around the spark plug base.
2. Remove and inspect the spark plug. Check gap, make sure it is set at .030. See Figure 18.
3. Replace the spark plug if electrodes are pitted, burned, or the porcelain is cracked.

NOTE: Do not sandblast spark plug. Spark plug should be cleaned by scraping or wire brushing and washing with a commercial solvent.

Follow the maintenance schedule given below. Some adjustments will have to be made periodically to maintain your unit properly. Periodically check all fasteners and make sure these are tight. Keep track of your scheduled service by filling in the Service Dates field below.



WARNING: Before servicing, repairing, lubricating or inspecting, disengage all controls and stop engine. Wait until all moving parts have come to a complete stop. Disconnect spark plug wire and ground it against the engine to prevent unintended starting. Always wear safety glasses during operation or while performing any adjustments or repairs.

Maintenance Schedule

TASKS	Before	After	After First	After 25	Before	Once a	SERVICE DATES
	Each Use	Each Use	2 Hours of Operation	Hours of Operation	Storage	Season	
Lubricate Pivot Points						<input checked="" type="checkbox"/>	
Lubricate drive mechanism, hex gear shaft						<input checked="" type="checkbox"/>	
Grease wheel shaft						<input checked="" type="checkbox"/>	
Clean equipment		<input checked="" type="checkbox"/>					
Clean skid shoe		<input checked="" type="checkbox"/>					
Check V-belts				<input checked="" type="checkbox"/>			
Check engine oil	<input checked="" type="checkbox"/>						
Empty fuel system					<input checked="" type="checkbox"/>		

OFF-SEASON STORAGE

If the snow thrower will not be used for 30 days or longer, or if it is the end of the snow season when the last possibility of snow is gone, the equipment needs to be stored properly. Follow storage instructions below to ensure top performance from the snow thrower for many more years.

Preparing Engine

Short-Term Storage

It is important to prevent gum deposits from forming in essential fuel system parts of the engine such as the carburetor, fuel filter, fuel hose, or tank during short-term storage (15-30 days). To prevent this, treat the fuel system using a fuel stabilizer.

Fuel stabilizer (such as STA-BIL™ or ULTRA-FRESH™) is an acceptable alternative in minimizing the formation of fuel gum deposits during storage. Add stabilizer to gasoline in fuel tank or storage container. Always follow mix ratio found on stabilizer container. Run engine at least 10 minutes after adding stabilizer to allow it to reach the carburetor.



WARNING: Never store snow thrower with fuel in tank indoors or in poorly ventilated areas, where fuel fumes may reach an open flame, spark or pilot light as on a furnace, water heater, clothes dryer or gas appliance.



CAUTION: Alcohol blended fuels (called gasohol or using ethanol or methanol) can attract moisture which leads to separation and formation of acids during storage. Acidic gas can damage the fuel system of an engine while in storage.

Long-Term Storage

To avoid engine problems, the fuel system should be emptied before storage for 30 days or longer.



WARNING: Fuel left in engine during warm weather deteriorates and will cause serious starting problems.

1. Run the engine until the fuel tank is empty and it stops due to lack of fuel. Do not attempt to pour fuel from the engine.



WARNING: Never use engine or carburetor cleaning products in the fuel tank or permanent damage may occur.

2. Remove the spark plug and pour one (1) ounce of engine oil through the spark plug hole into the cylinder. Cover spark plug hole with a rag and crank the engine several times to distribute the oil. Replace spark plug.

Preparing Snow Thrower

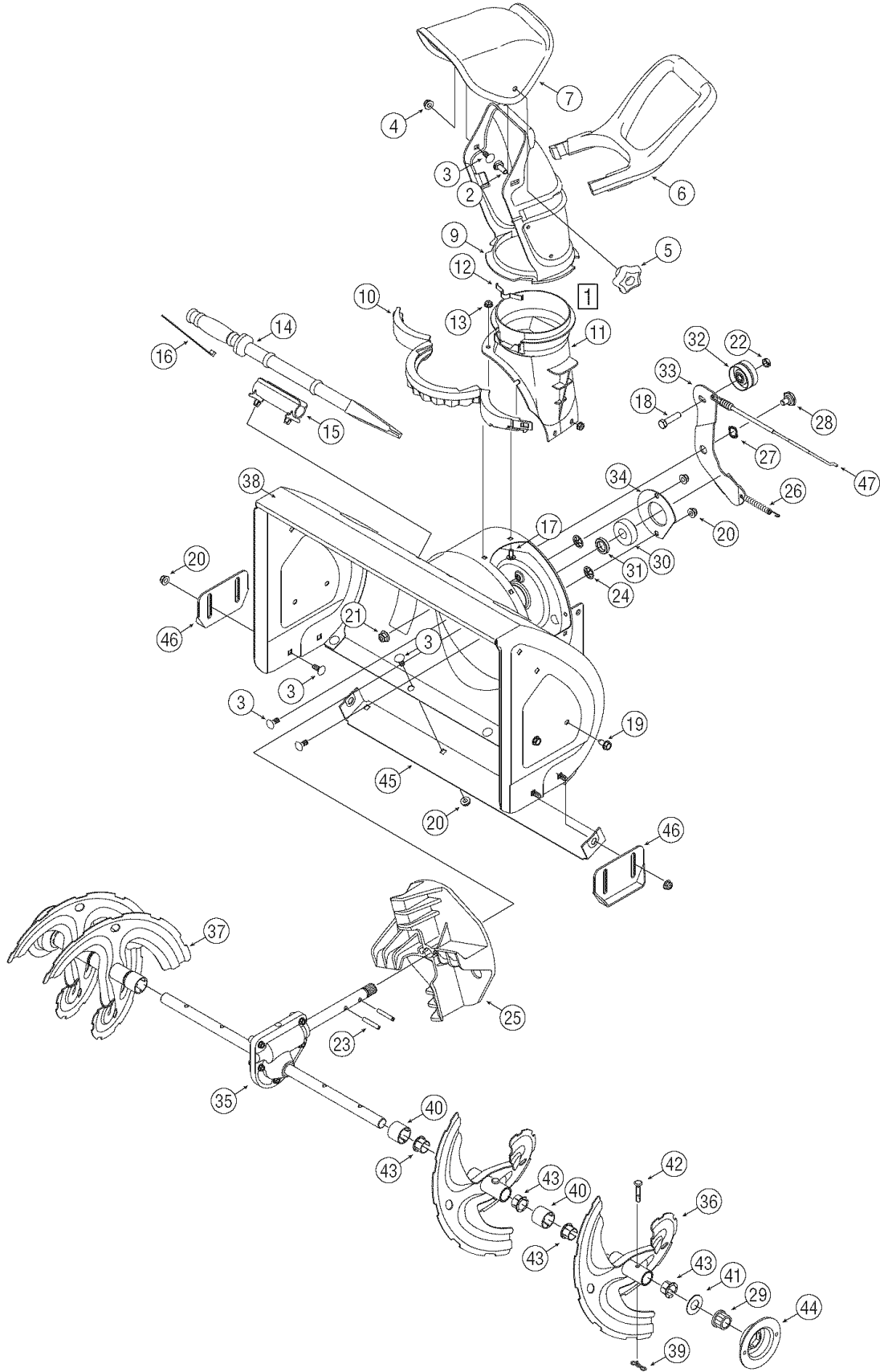
- When storing the snow thrower in an unventilated or metal storage shed, care should be taken to rustproof the equipment. Using a light oil or silicone, coat the equipment, especially any chains, springs, bearings and cables.
- Remove all dirt from exterior of engine and equipment.
- Follow lubrication recommendations.
- Store equipment in a clean, dry area.

TROUBLESHOOTING

Problem	Cause	Remedy
Engine fails to start	<ol style="list-style-type: none"> 1. Choke not in ON position. 2. Spark plug wire disconnected. 3. Fuel tank empty or stale fuel. 4. Engine not primed. 5. Faulty spark plug. 6. Blocked fuel line. 7. Safety key not in ignition on engine. 	<ol style="list-style-type: none"> 1. Move choke to ON position. 2. Connect wire to spark plug. 3. Fill tank with clean, fresh gasoline. 4. Prime engine as instructed in "Operating Your Snow Thrower". 5. Clean, adjust gap, or replace. 6. Clean fuel line. 7. Insert key fully into the switch.
Engine runs erratic	<ol style="list-style-type: none"> 1. Unit running on CHOKE. 2. Blocked fuel line or stale fuel. 3. Water or dirt in fuel system. 4. Carburetor out of adjustment. 	<ol style="list-style-type: none"> 1. Move choke lever to OFF position. 2. Clean fuel line; fill tank with clean, fresh gasoline. 3. Drain fuel tank. Refill with fresh fuel. 4. Contact Sears Parts & Repair Center.
Engine overheats	<ol style="list-style-type: none"> 1. Carburetor not adjusted properly. 	<ol style="list-style-type: none"> 1. Contact Sears Parts & Service Center.
Excessive Vibration	<ol style="list-style-type: none"> 1. Loose parts or damaged auger. 	<ol style="list-style-type: none"> 1. Stop engine immediately and disconnect spark plug wire. Tighten all bolts and nuts. If vibration continues, have unit serviced by a Sears Parts & Repair Center.
Loss of power	<ol style="list-style-type: none"> 1. Spark plug wire loose. 2. Gas cap vent hole plugged. 3. Exhaust port plugged. 	<ol style="list-style-type: none"> 1. Connect and tighten spark plug wire. 2. Remove ice and snow from gas cap. Be certain vent hole is clear. 3. Contact Sears Parts & Repair Center.
Unit fails to propel itself	<ol style="list-style-type: none"> 1. Drive control cable in need of adjustment. 2. Drive belt loose or damaged. 	<ol style="list-style-type: none"> 1. Adjust drive control cable. Refer to Adjustments. 2. Replace drive belt.
Unit fails to discharge snow	<ol style="list-style-type: none"> 1. Chute assembly clogged. 2. Foreign object lodged in auger. 3. Auger cable in need of adjustment. 4. Auger belt loose or damaged. 5. Shear pin(s) sheared. 	<ol style="list-style-type: none"> 1. Stop engine immediately and disconnect spark plug wire. Clean chute assembly and inside of auger housing with clean-out tool or a stick. 2. Stop engine immediately and disconnect spark plug wire. Remove object from auger with clean-out tool or a stick. 3. Refer to Service & Adjustments section. 4. Refer to Service & Adjustments section. 5. Replace with new shear pin(s).

NOTE: This section addresses minor service issues. For further details, contact Sears service information line by calling 1-800-4-MY-HOME.

Parts List

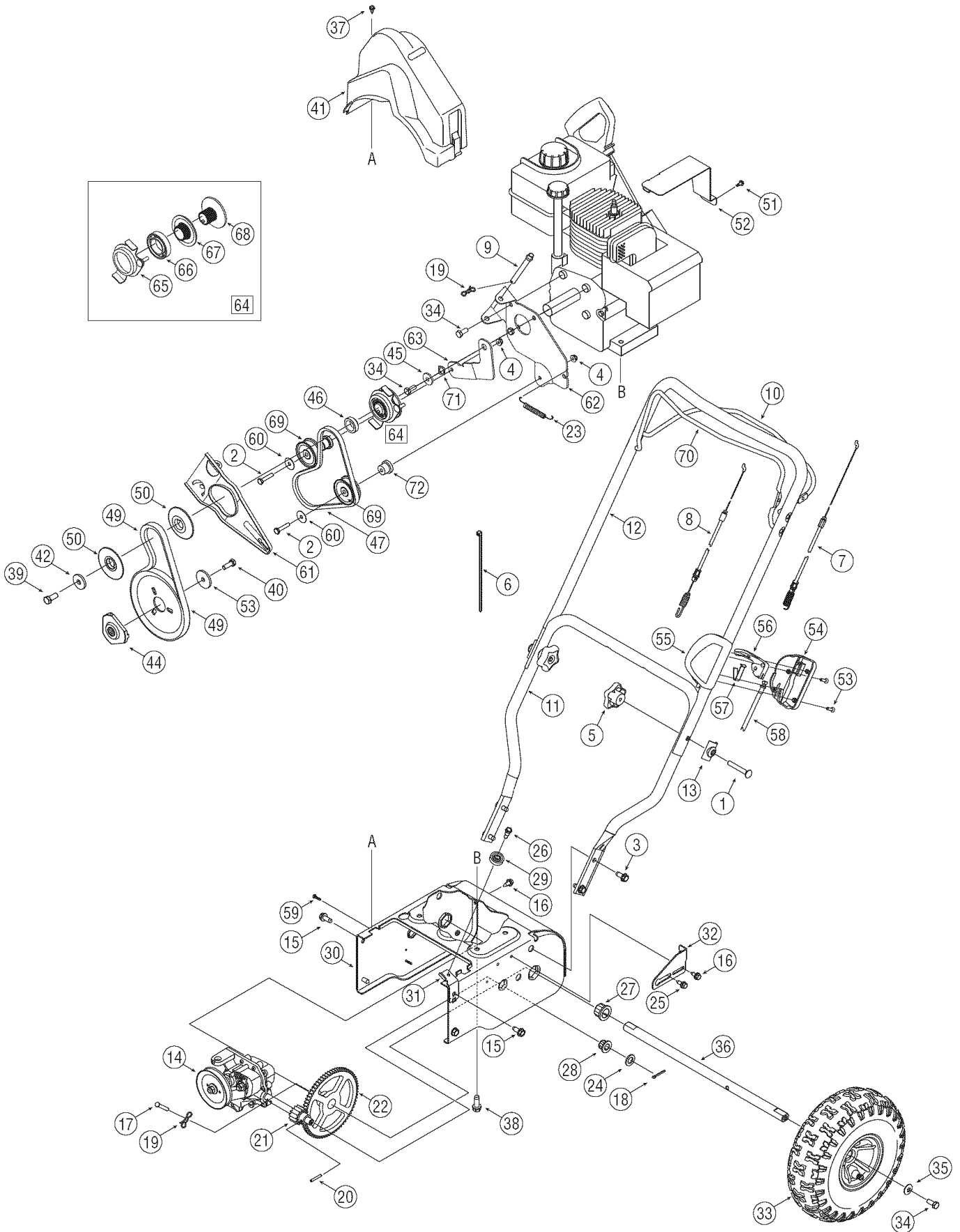


Parts List

REF NO.	PART NUMBER	DESCRIPTION	Qty.
1	684-04037	Chute Assembly	1
2	710-04071	Carriage Bolt 5/16-18 x 1.0"	1
3	710-0451	Carriage Bolt 5/16-18	11
4	712-04063	Flange Lock Nut, 5/16-18	1
5	720-04072	Star Knob 5/16-18	1
6	731-04388A	Chute Handle	1
7	731-04426A	Upper Chute	1
8	736-0159	Flat Washer .349 x .879 x .063	2
9	731-04127	Lower Chute	1
10	731-04353	Chute Ring	1
11	731-2636A	Chute Adapter 5" Dia.	1
12	732-04111	Chute Adjustment Spring	1
13	712-04064	Flange Lock Nut 1/4-20	5
14	731-2643	Clean-out Tool	1
15	731-2635	Clean-out Tool Mount	1
16	725-0157	Cable Tie	1
17	710-0134	Carriage Screw 1/4-20 x 0.62"	5
18	710-0520	Hex Bolt 3/8-16 x 1.50"	1
19	710-0604A	AB Screw 5/16-18 x .625	4
20	712-04063	Flange Lock Nut, 5/16-18	10
21	712-04065	Flange Lock Nut, 3/8-16	1
22	712-0266	Jam Lock Nut 3/8-16	1
23	715-04020	Spiral Pin	2
24	726-04012	Push On Nut	2

REF NO.	PART NUMBER	DESCRIPTION	Qty.
25	731-04218B	Impeller	1
26	732-0611	Extension Spring	1
27	736-0174	Wave Washer	1
28	738-0281	Shoulder Screw 3/8-16	1
29	741-0245	Hex Flange Bearing	2
30	741-0309	Ball Bearing	1
31	750-04191	Spacer	1
32	756-04249	Flat Idler	1
33	784-0434	Auger Idler Bracket	1
34	790-00075	Bearing Housing	1
35	618-04293	Auger Gearbox Assembly	1
36	684-04113	Auger Assembly - LH	2
37	684-04114	Auger Assembly - RH	2
38	684-04165	Auger Housing, 24"	1
39	714-04040	Bow Tie Cotter Pin 72	4
40	731-04870	Spacer, 1.25 x .75 x 1.00	4
41	736-0351	Flat Washer	2
42	738-04124A	Shear Pin, .25 x 1.50	4
43	741-0493A	Flange Bushing	8
44	790-00087A	Hex Bearing Housing	2
45	790-00120	Shave Plate 2.25 x 23.66 LG	1
46	784-5580	Skid Shoe	2
47	746-04246	Auger Cable	1

Parts List



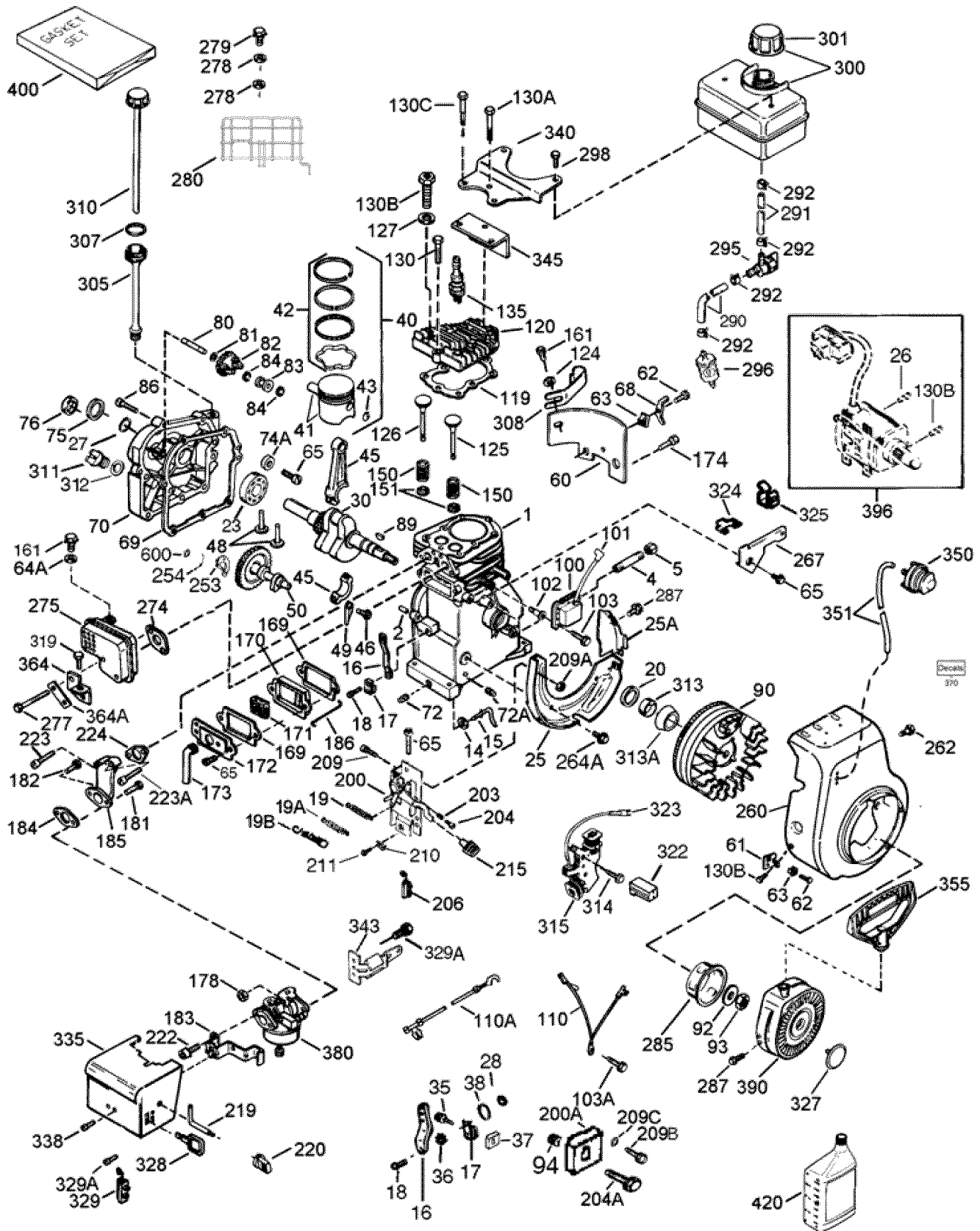
Parts List

REF NO.	PART NUMBER	DESCRIPTION	Qty.
1	710-0449	Carriage Screw 5/16-18 x 2.25"	2
2	710-0106	Hex Screw 1/4-20 x 1.25"	2
3	710-1260A	Screw, 5/16-18 x .75"	4
4	712-04064	Flange Lock Nut 1/4-20	2
5	720-04072	Star Knob 5/16-18	2
6	725-0157	Cable Tie	3
7	746-04256	Drive Cable	1
8	746-04246	Auger Cable	1
9	711-04478	Pivot Rod	1
10	747-04405	Drive Control	1
11	749-04147	Lower Handle	1
12	749-04236-0637	Upper Handle	1
13	790-00053	Handle Tab	2
14	618-04296A	Transmission Assembly	1
15	710-1260A	Screw, 5/16-18 x .75"	4
16	710-1652	Screw, 1/4-20 x .625"	3
17	711-1364	Clevis Pin	1
18	714-0115	Cotter Pin, 1/8 x 1.0	2
19	714-04040	Bow Tie Cotter Pin 72	2
20	715-0249	Roll Pin	1
21	717-04066A	Pinion 14T	1
22	717-04073A	Gear 70T	1
23	732-0409	Extension Spring	1
24	736-0192	Flat Washer	1
25	738-04184A	Shoulder Screw 1/4-20	1
26	738-0924A	Carriage Screw 1/4-28	1
27	741-0245	Hex Flange Bearing	2
28	741-04108	Hex Flange Bearing	2
29	756-0625	Cable Roller	1
30	784-0419B	Drive Housing Frame	1
31	790-00223	Auger Cable Bracket	1
32	790-00224	Auger Cable Adj. Bracket	1
33	634-0232C	Wheel Assembly Snow Hog Gray	2
34	710-0627	Lock Bolt 5/16-24 x 0.75"	5
35	736-0242	Bell Washer	2
36	738-1231	Axle	1
37	710-0224	Hex Screw, #10-16 x.500	1

REF NO.	PART NUMBER	DESCRIPTION	Qty.
38	710-0654A	TT Sems Screw 3/8-16 x 1.0"	4
39	710-0696	Hex Bolt 3/8-24 x 0.875"	1
40	710-1245B	Lock Bolt 5/16-24 x 0.875"	1
41	731-05364	Belt Cover	1
42	736-0247	Flat Washer,.406ID x 1.25OD	1
43	736-0505	Flat Washer,.34ID x 1.50OD	1
44	748-04067	Pulley: Adapter,.75 Dia.	1
45	748-0234	Shoulder Spacer	1
46	750-04568	Shoulder Spacer	1
47	754-04102	V-Belt, 3L x 25.00 LG	1
48	754-04014	V-Belt, 3/8 x 26.680 Lg.	1
49	756-04024	Auger Pulley	1
50	756-0569	Pulley Half	2
51	710-0456	Screw, #10-16 x.500	1
52	790-00064	Heat Shield	1
53	710-1667A	Screw #10-16	2
54	731-05358A	Speed Selector Housing - Lwr	1
55	731-05359A	Speed Selector Housing - Upr	1
56	731-05360	Speed Selector Housing-Lever	1
57	732-0627	6 Speed Shift Lever Spring	1
58	746-04244	Speed Control Cable	1
59	710-04329	Screw .159 x .610	2
60	736-3092	Flat Washer .265 x 1.0 x .030	2
61	782-7596A	6-Speed Control Arm	1
62	790-00234A	Actuator Mounting Bracket	1
63	790-00235A	Drive Wheel Idler Bracket	1
64	656-0613	Multi-Speed Pulley Assembly	1
65	682-7527	6 Speed Assembly Cup	1
66	741-0545	Ball Bearing	1
67	756-0613	Pulley Half	1
68	756-0612A	Drive Pulley Half	1
69	684-04168	Idler Pulley Assembly	2
70	747-04394A	Auger Control Bail	1
71	736-0232	Wave Washer .531 x .781 x .013	1
72	750-04571	Shoulder Spacer .60 x .790 x .538	2

Parts List

Tecumseh 5.5 H.P. Engine LH195SP - 67517D



Parts List

Tecumseh 5.5 H.P. Engine LH195SP - 67517D

Ref. No.	Part No.	Description	Qty
1	36469A	Cylinder (Incl. 2,20,72 & 125)	1
2	26727	Dowel Pin	2
5	30969	Extension Cap (1/4-18 NPT)	1
14	28277	Flat washer	1
15	31334	Governor Rod	1
16	37729	Governor Lever	1
17	31335	Governor Lever Clamp	1
18	651018	Screw, T-15, 8-32 x 19/64"	1
19	31426	Throttle Spring	1
20	32600	Oil Seal	1
25	36552	Blower Housing Baffle (Incl. 262)	1
25A	35883	Baffle Extension	1
30	37842	Crankshaft	1
40	36073	Piston, Pin & Ring Set (Std.)	1
40	36074	Piston, Pin & Ring Set (.010 OS)	1
40	36075	Piston, Pin & Ring Set (.020 OS)	1
41	36070	Piston & Pin Ass'y. (Std.) (Incl. 43)	1
41	36071	Piston & Pin Ass'y. (.010 OS) (Incl. 43)	1
41	36072	Piston & Pin Ass'y. (.020 OS) (Incl. 43)	1
42	36076	Ring Set (Std.)	1
42	36077	Ring Set (.010 OS)	1
42	36078	Ring Set (.020 OS)	1
43	20381	Piston Pin Retaining Ring	2
45	32875A	Connecting Rod Assy (Incl. 46 & 49)	1
46	32610A	Connecting Rod Bolt	2
48	37670	Valve Lifter	2
49	32654	Oil Dipper	1
50	37671	Camshaft (MCR)	1
60	29745	Blower Housing Extension	1
64A	8345	Washer	1
65	30200	Screw, 10-24 x 9/16"	1
69	27677A	* Cylinder Cover Gasket	1
70	34674C	Cylinder Cover (Incl. 75 thru 83)	1
72	27642	Oil Drain Plug (Sq. hd., 1/4-18)	2
75	27897	Oil Seal	1
80	30574A	Governor Shaft	1
81	30590A	Washer	1
82	30591	Governor Gear Assembly (Incl. 81)	1
83	30588A	Governor Spool	1
86	650488	Screw, 1/4-20 x 1-1/4"	7
89	610961	Flywheel Key	1
90	611195	Flywheel	1

Ref. No.	Part No.	Description	Qty
92	650815	Belleville Washer	1
93	650816	Flywheel Nut	1
100	34443C	Solid State Ignition	1
101	610118	Spark Plug Cover	1
102	651024	Solid State Mounting Stud	2
103	651007	Screw, T-15, 10-24 x 15/16"	2
110	35182	Ground Wire	1
110A	36874	Ground Wire - Green, 5.5'	1
119	36443	* Cylinder Head Gasket	1
120	37675	Cylinder Head (Inc. 130A)	1
125	36471	Exhaust Valve (Std.) (Incl. 151)	1
125	36472	Exhaust Valve (1/32 OS) (Incl. 151)	1
126	32644A	Intake Valve (Std.) (Incl. 151)	1
127	650691	Washer	1
130	6021A	Screw, 5/16-18 x 1-1/2 "	2
130A	650694A	Screw, 5/16-18 x 2 "	5
130B	650737	Screw, 1/4-20 x 1/2 "	2
130B	650818	Screw, 5/16-18 x 1-1/2 "	1
135	35395	Resistor Spark Plug (RJ19LM)	1
150	31672	Valve Spring	2
151	31673	Valve Spring Cap	2
161	30063	Screw, T-30, 1/4-20 x 1/2"	1
161	30063	Screw, T-30, 1/4-20 x 1/2"	1
169	27234A	* Valve Cover Gasket	2
170	27666	Breather Body	1
171	31410	Breather Element	1
172	34146	Valve Cover	1
173	35350	Breather Tube	1
174	650128	Screw, 10-24 x 1/2"	1
178	29752	Nut & Lock Washer 1/4-28	2
181	650870	Screw, 1/4-28 x 1-11/16"	1
182	6201	Screw, 1/4-28 x 7/8"	1
183	34583A	Choke bracket	1
184	26756	* Carburetor To Intake Pipe Gasket	1
185	33691	Intake Pipe	1
186	32698	Governor Link	1
200	36677	Control Bracket (Incl. 203 thru 209A)	1
203	31342	Compression Spring	1
204	651029	Screw, T-10, 5-40 x 7/16"	1
206	610973	Terminal	1
206	610973	Terminal	1
215	35440	Control Knob	1

Parts List

Tecumseh 5.5 H.P. Engine LH195SP - 67517D *(Continued from previous page)*

Ref. No.	Part No.	Description	Qty
219	34582	Choke Rod	1
220	35438	Control Knob	1
222	28820	Screw, 10-32 x 1/2"	2
223	650664	Screw, 1/4-20 x 1-19/32"	2
224	33673A	* Intake Pipe Gasket	1
253	36701	Compression Release Weight	1
254	36702	Compression Release Spring	1
260	35656A	Blower Housing	1
264A	650802	Screw, 1/4-20 x 5/8"	2
267	34212	Hold Down Bracket	1
274	33670A	* Exhaust Gasket	1
275	35771A	Muffler (Incl. 274)	1
277	792005	Screw, 1/4-20 x 2-1/2"	2
285	36467A	Starter Cup	1
287	650926	Screw, 8-32 x 21/64"	1
287	650926	Screw, 8-32 x 21/64"	2
290	30705	Fuel Line	1
292	26460	Fuel Line Clamp	2
298	650665	Screw, 1/4-15 x 3/4"	2
300	35584	Fuel Tank (Incl. 292 & 301) (2 Quart)	1
301	37845	Fuel Cap	1
309A	650783	Screw, 10-24 x 3/4"	2
310A	37868	Dipstick	1
311	37246	Dipstick	1

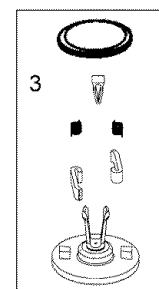
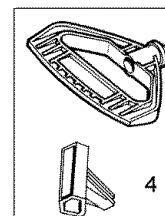
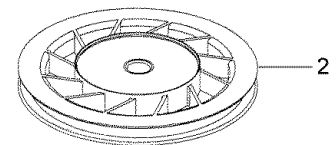
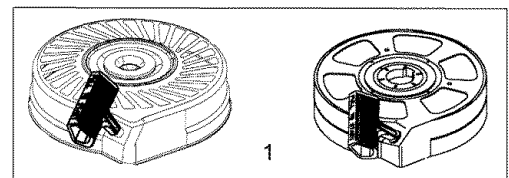
Ref. No.	Part No.	Description	Qty
312	27625	Oil Fill Plug (Incl. 312)	1
313	34080	Spacer	1
319	650735	Screw, 10-24 x 3/8"	1
328	35062	Ignition Key	2
329A	651060	Screw, 8-32 x 23/64"	1
335	35072	Carburetor Cover	1
338	650257	Screw, 8-32 x 5/16"	2
340	36247	Fuel Tank Bracket	1
342A	650675	Washer	2
345	33344	Heat Baffle	1
350	570682A	Primer Assembly	1
351	32180C	Primer Line	1
355	590574	Starter Handle (Mitten Grip)	1
364	33333	Carburetor Cover Bracket	1
364A	37673	Locking Plate	1
370	35282	Decal - Speed Control & Choke	1
370	36501	Decal - Primer - International Symbol	1
370I	37119	Warning Decal	1
380	640084B	Carburetor (Incl. 184)	1
390	590742	Rewind Starter	1
396	33290E	Electric Starter Motor (110 Volt)	0
396	730266	Electric Starter Kit (Optional) ††	0
400	36444	* Gasket Set	1
600	651013	Washer	1

† This engine may have been built with the 590707 starter.

†† (120V) Starter Kit, 18-watt flywheel w/ring gear, 18-watt alternator, and mounting hardware.

* Included in this Gasket Set.

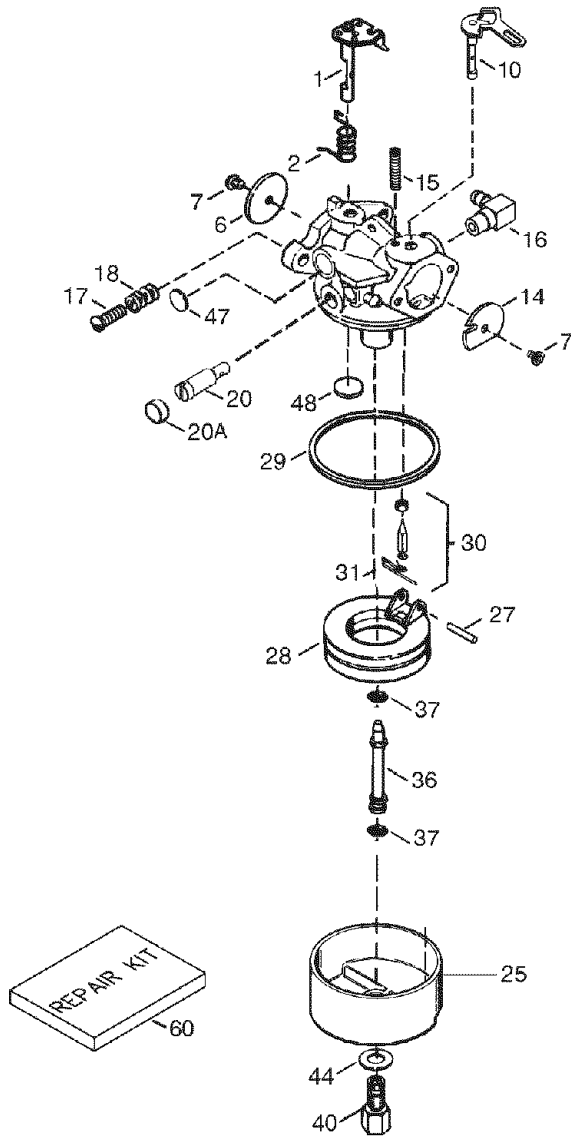
This illustration may not depict actual equipment and is for reference purposes only.



Ref. No.	Part No.	Description	Qty.
1	590742	Rewind Starter	1
2	590645A	Pulley & Rewind Spring Ass'y	1
3	590772	Repair Kit	1
4	590574	Mitten Grip Handle	1
5	590535	Starter Rope (Length 98")	1

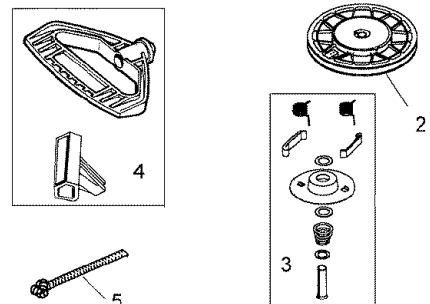
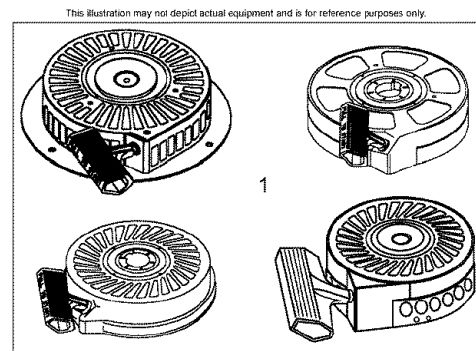
Parts List

Tecumseh 5.5 H.P. Engine LH195SP - 67517D



Ref. No.	Part No.	Description	Qty.
0	640084B	Carburetor (Incl. 184 of Engine Parts List)	1
1	631615	Throttle Shaft & Lever Assembly	1
2	631767	Throttle Return Spring	1
6	640070	Throttle Shutter	1
7	650506	Shutter Screw †	2
10	632108	Choke Shaft & Lever Assembly	1
14	631890	Choke Shutter	1
15	630735	Choke Positioning Spring	1
16	631807	Fuel Fitting	1
17	651025	Throttle Crack Screw/Idle Speed Screw	1
18	630766	Tension Spring	1
20	640027	Idle Restrictor Screw	1
20A	640053	Idle Restrictor Screw Cap	1
27	631024	Float Shaft †	1
28	632802	Float (Plastic)	1
29	631028	Float Bowl O-Ring †	1
30	631021A	Inlet Needle, Seat & Clip (Incl. 31) †	1
31	631022	Spring Clip	1
36	632745	Main Nozzle Tube	1
37	632547	O-Ring, Main Nozzle Tube †	2
40	640131	High Speed Bowl Nut	1
44	27110A	Bowl Nut Washer †	1
47	630748	Welch Plug, Idle Mixture Well †	1
48	631027	Welch Plug, Atmospheric Vent †	1
60	632760B	Repair kit (Incl. Items Marked † in Notes)	1

Ref. No.	Part No.	Description	Qty.
1	590707	Recoil Starter	1
2	590709	Pulley & Rewind Spring Ass'y.	1
3	590774	Repair Kit	1
4	590574	Mitten Grip Handle	1
5	590535	Starter Rope (Length 98")	1



Notes

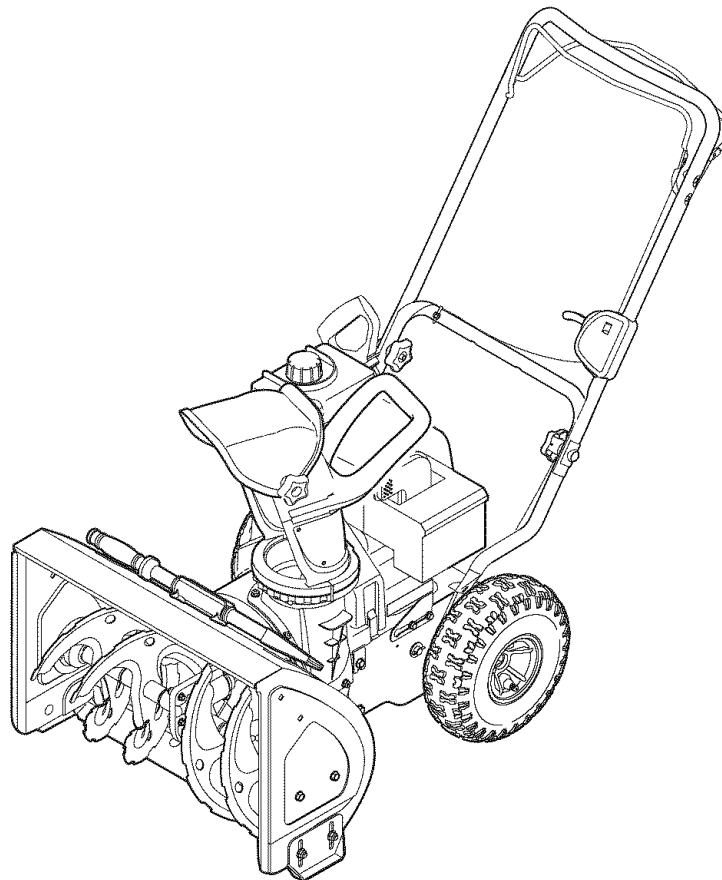
Manual del operador

CRAFTSMAN®

5.5 caballos de fuerza

MÁQUINA QUITANIEVE DE 24", 4 CICLOS Y 3 VELOCIDADES

Número de modelo 247.88455



PRECAUCIÓN: antes de utilizar este producto, lea este manual y siga todas las reglas de seguridad y las instrucciones de funcionamiento.

- SEGURIDAD
- MONTAJE
- OPERACIÓN
- MANTENIMIENTO
- LISTADO DE PIEZAS
- ESPAÑOL

Sears, Roebuck and Co., Hoffman Estates, IL 60179, EE.UU.

Visite nuestro sitio web: www.sears.com/craftsman

Nº de FORMULARIO 769-01910B

5/31/2006

ÍNDICE

Declaración de garantía	Página 28	Operación	Página 36-37
Etiquetas de seguridad	Página 29	Mantenimiento y servicio	Página 38-41
Reglas de operación segura	Páginas 30-31	Almacenamiento fuera de temporada y solución de problemas.....	Página 42-43
Configuración y ajuste	Páginas 32-33	Número de servicio	Cubierta posterior
Conozca su máquina quitanieve	Página 34-35		

DECLARACIÓN DE GARANTÍA

Garantía de dos años para la máquina quitanieve Craftsman

Durante dos años a partir de la fecha de compra, siempre que a esta máquina quitanieve se le realice el servicio de mantenimiento, lubricación y puesta a punto de acuerdo a las instrucciones del manual del propietario, Sears reparará sin cargo cualquier defecto de materiales o mano de obra. Si esta máquina quitanieve Craftsman se utiliza para propósitos comerciales o de alquiler, esta garantía se aplica sólo durante 30 días a partir de la fecha de compra. Esta garantía no cubre:

- Elementos desechables que se desgastan por el uso normal, incluyendo entre otros, zapatas antideslizantes, placa de raspado y bujías.
- Reparaciones necesarias debido a abuso o negligencia del operador, incluyendo abolladura del cigüeñal y falla por no realizar mantenimiento del equipo de acuerdo con las instrucciones contenidas en el manual del propietario.

EL SERVICIO DE GARANTÍA ESTÁ DISPONIBLE PARA LOS USUARIOS QUE LLEVEN LA MÁQUINA QUITANIEVE CRAFTSMAN AL CENTRO DE PARTES Y REPARACIÓN SEARS MÁS CERCANO DENTRO DE LOS ESTADOS UNIDOS.

Esta garantía es válida únicamente mientras el producto se utilice dentro de los Estados Unidos.

PARA UBICAR EL CENTRO DE PARTES Y REPARACIÓN SEARS MÁS CERCANO O PARA PROGRAMAR EL SERVICIO TÉCNICO, SIMPLEMENTE COMUNÍQUESE CON SEARS AL TELÉFONO 1-800-4-MY-HOME®.

Esta garantía le otorga derechos legales específicos; usted también puede tener otros derechos, los cuales varían de un estado a otro.

SEARS, ROEBUCK AND CO., D/817WA, HOFFMAN ESTATES, IL 60179

Acuerdos de protección sobre reparaciones

Felicitaciones por haber realizado una adquisición inteligente. El producto Craftsman® que ha adquirido está diseñado y fabricado para brindar muchos años de funcionamiento confiable.

Pero como todos los productos a veces puede requerir de reparaciones. Es en ese momento cuando el disponer de un acuerdo de protección para reparaciones le puede ahorrar dinero y problemas. A continuación se detallan los puntos incluidos en el acuerdo:

- Servicio experto prestado por nuestros 12.000 especialistas en reparaciones profesionales
- Servicio ilimitado sin cargo para las piezas y la mano de obra en todas las reparaciones cubiertas
- Reemplazo del producto si no es posible reparar el producto cubierto
- Descuento de 10% del precio normal del servicio y de las piezas relacionadas con el mismo que no estén cubiertas por el acuerdo; además, 10% de descuento del precio normal de la verificación de mantenimiento preventivo
- Ayuda rápida por teléfono – asistencia telefónica a cargo de un técnico de Sears para los productos que requieren reparación a domicilio, además de una programación conveniente para la repara-

ción. Adquiera ahora un acuerdo de protección para reparaciones y protéjase de problemas y gastos inesperados

Una vez adquirido el acuerdo, puede programar el servicio con tan sólo realizar una llamada telefónica. Puede llamar en cualquier momento del día o de la noche, o programar un servicio en línea. Sears dispone de más de 12.000 especialistas en reparaciones profesionales que tienen acceso a más de 4,5 millones de piezas y accesorios de gran calidad. Éste es el tipo de profesionalismo en el que puede confiar para que le ayude a prolongar la vida útil del producto recientemente adquirido en los años por venir. ¡Adquiera hoy su acuerdo de protección para reparaciones!

Se aplican determinadas limitaciones y exclusiones. Para obtener precios e información adicional llame al 1-800-827-6655.

Servicio de instalación de Sears

Si desea solicitar la instalación profesional de Sears de aparatos domésticos, dispositivos para abrir portones, calentadores de agua y otros artículos domésticos importantes, en los Estados Unidos llame al 1-800-4-MY-HOME®

ESPECIFICACIONES DEL PRODUCTO

Caballos de fuerza :	5.5
Aceite del motor:	SAE 5W-30
Combustible:	Gasolina sin plomo
Bujías:	Champion® RJ19LM
Moto:	Tecumseh LH195SP

NÚMERO DE MODELO

Número de modelo

Número de serie.....

Fecha de compra

Registre arriba el número del modelo, el número de serie y la fecha de compra

ETIQUETAS DE SEGURIDAD

! DANGER

1. KEEP AWAY FROM ROTATING IMPELLER AND AUGER. CONTACT WITH IMPELLER OR AUGER CAN AMPUTATE HANDS AND FEET.
2. USE CLEAN-OUT TOOL TO UNCLOG DISCHARGE CHUTE.
3. DISENGAGE CLUTCH LEVERS, STOP ENGINE, AND REMAIN BEHIND HANDLES UNTIL ALL MOVING PARTS HAVE STOPPED BEFORE UNCLOGGING OR SERVICING MACHINE.
4. TO AVOID THROWN OBJECTS INJURIES, NEVER DIRECT DISCHARGE AT BYSTANDERS. USE EXTRA CAUTION WHEN OPERATING ON GRAVEL SURFACES.
5. READ OPERATOR'S MANUAL.

CLEAN-OUT TOOL 

! DANGER



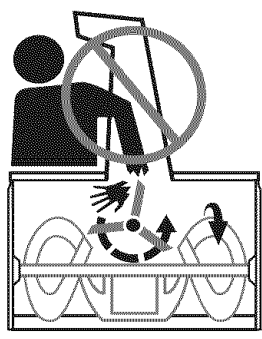
AVOID INJURY FROM ROTATING AUGER - KEEP HANDS, FEET AND CLOTHING AWAY.

! ADVERTENCIA

Este símbolo indica instrucciones de seguridad importantes que de no seguirse, se podría poner en peligro la seguridad personal y/o la propiedad suya y de terceros. Lea y siga todas las instrucciones en este manual antes de iniciar la operación de esta máquina. En caso de no seguir estas instrucciones podría provocar lesiones personales. Cuando vea este símbolo. **SIGA LA ADVERTENCIA.**

Su responsabilidad
Esta máquina eléctrica sólo pueden usarla las personas que lean, comprendan y respeten las advertencias e instrucciones que aparecen en este manual y en la máquina.

! DANGER



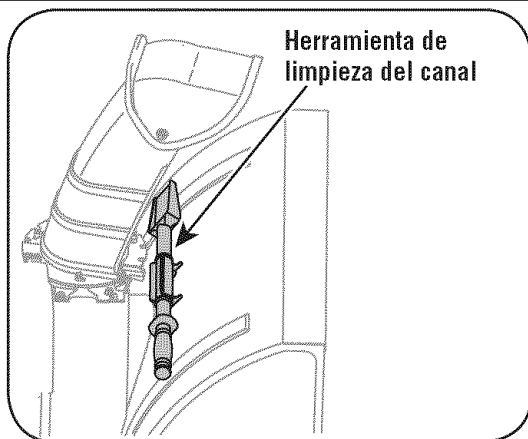
- NEVER PUT HAND IN CHUTE. CONTACT WITH ROTATING PARTS CAN AMPUTATE FINGERS AND HANDS.
- SHUT OFF ENGINE AND WAIT UNTIL ALL MOVING PARTS HAVE STOPPED BEFORE UNCLOGGING.
- USE CLEAN-OUT TOOL OR WOODEN STICK TO UNCLOG DISCHARGE CHUTE.

! WARNING

AVOID SERIOUS INJURY FROM TIRE / RIM EXPLOSION.

TO PREVENT OVER-INFLATION:

- USE A MANUAL PUMP OR PORTABLE ELECTRIC TIRE INFLATOR.
- NEVER USE AN AIR COMPRESSOR.
- INFLATE TIRE TO 20 PSI.



Hay una **herramienta de limpieza del canal** ajustada a la parte superior de la caja de la barrena con un pasador de ensamblado. La herramienta está diseñada para limpiar el hielo y la nieve del montaje de un canal. Este producto se sujeta mediante una unión de cable en la fábrica. Corte la unión de cable antes de operar la máquina quitanieve.

! ADVERTENCIA: nunca use sus manos para liberar un montaje de canal tapado. Apague el motor y permanezca detrás de las manijas hasta que todas las partes móviles se hayan detenido antes de utilizar la herramienta de limpieza para limpiar el montaje del canal.

PRÁCTICAS DE OPERACIÓN SEGURAS



ADVERTENCIA: el escape del motor de este producto, algunos de sus componentes y algunos componentes del vehículo contienen o emiten productos químicos que el estado de California considera que pueden producir cáncer, defectos de nacimiento u otros problemas reproductivos.

PELIGRO: Esta máquina está diseñada para ser utilizada respetando las reglas de seguridad contenidas en este manual. Al igual que con cualquier tipo de equipo eléctrico, un descuido o error de parte del operador puede producir lesiones graves. Esta máquina es capaz de amputar manos y pies y de arrojar objetos con gran fuerza. De no respetar las instrucciones de seguridad siguientes se pueden producir lesiones graves o la muerte.



ADVERTENCIA: este símbolo indica instrucciones de seguridad importantes que de no seguirse, se podría poner en peligro la seguridad personal y/o la propiedad suya y de terceros. Lea y siga todas las instrucciones en este manual antes de iniciar la operación de esta máquina. En caso de no seguir estas instrucciones podría provocar lesiones personales. Cuando vea este símbolo **SIGA LA ADVERTENCIA.**

Su responsabilidad: esta máquina eléctrica sólo pueden usarla las personas que lean, comprendan y respeten las advertencias e instrucciones que aparecen en este manual y en la máquina.

Capacitación

1. Lea, entienda y cumpla todas las instrucciones incluidas en la máquina y en los manuales antes de montarla y utilizarla. Guarde este manual en un lugar seguro para consultas futuras y regulares, así como para solicitar repuestos.
2. Familiarícese con todos los controles y su funcionamiento apropiado. Sepa cómo detener la máquina y cómo desengranar los controles rápidamente.
3. No permita nunca que los niños menores de 14 años utilicen esta máquina. Los niños de 14 años y más mayores deben leer y comprender las instrucciones de funcionamiento y las reglas de seguridad contenidas en este manual, y también deben ser capacitados y estar supervisados por uno de los padres.
4. Nunca permita que los adultos utilicen esta máquina sin recibir antes la instrucción apropiada.
5. Los objetos arrojados por la máquina pueden producir lesiones graves. Planifique el patrón en el que va a ir arrojando nieve para evitar que la descarga de material se realice hacia los caminos, los observadores, etc.
6. Mantenga a los observadores, ayudantes, mascotas y niños por lo menos a 75 pies de la máquina mientras la misma está en funcionamiento. Detenga la máquina si alguien entra en la zona.
7. Sea precavido para evitar patinarse o caerse especialmente cuando opera la máquina en reversa.

Preparativos

1. Inspeccione minuciosamente el área donde utilizará el equipo. Saque todos los felpudos, periódicos, trineos, tablas, cables y otros objetos extraños con los que podría tropezar o que podrían ser arrojados por la barrena / motor.
2. Para protegerse los ojos utilice siempre anteojos o antiparras de seguridad mientras opera la máquina o mientras la ajusta o repara. Los objetos arrojados que rebotan pueden lesionar gravemente la vista.
3. No opere la máquina sin la vestimenta adecuada para estar al aire libre en invierno. No utilice alhajas, bufandas largas u otras prendas sueltas que podrían enredarse en las partes móviles. Utilice un calzado especial para superficies resbaladizas.
4. Use un prolongador y un tomacorriente de tres cables con conexión a tierra para todas las unidades con motores de encendido eléctrico.
5. Ajuste la altura de la caja del tomacorriente para limpiar la grava o las superficies con piedras trituradas.
6. Desengrane todas las palancas de control antes de arrancar el motor.
7. Nunca intente realizar ajustes mientras el motor está en marcha excepto en los casos específicamente recomendados en el manual del operador.
8. Deje que el motor y la máquina se adapten a la temperatura exterior antes de comenzar a sacar la nieve.
9. Para evitar lesiones personales o daños materiales sea sumamente cuidadoso al manipular la gasolina. La gasolina es altamente inflamable y sus vapores pueden causar explosiones. Se puede lesionar gravemente si derrama gasolina sobre usted o sobre la ropa ya que se puede prender fuego. Lávese la piel y cámbiese de ropa de inmediato.
 - a. Utilice sólo recipientes para gasolina autorizados.
 - b. Apague todos los cigarrillos, cigarros, pipas y otras fuentes de combustión.
 - c. Nunca cargue combustible en la máquina en un espacio cerrado.
 - d. Nunca saque la tapa del gas ni agregue combustible mientras el motor está caliente o en marcha.
 - e. Deje que el motor se enfríe por lo menos dos minutos antes de volver a cargar combustible.
 - f. Nunca recargue el tanque de combustible. Llene el tanque no más de 1/2 pulgada por debajo de la base del cuello del filtro para dejar espacio para la dilatación del combustible.
 - g. Vuelva a colocar la tapa de la gasolina y ajústela bien.
 - h. Limpie la gasolina derramada sobre el motor y el equipo. Traslade la máquina a otra zona. Espere 5 minutos antes de encender el motor.
 - i. Nunca almacene la máquina o el recipiente de combustible en un espacio cerrado donde haya fuego, chispas o luz piloto (por ejemplo, hornos, calentadores de agua, calefactores, secadores de ropa, etc.).
 - j. Deje que la máquina se enfríe por lo menos 5 minutos antes de guardarla.

PRÁCTICAS DE OPERACIÓN SEGURAS

Operación

1. No ponga las manos o los pies cerca de las piezas rotatorias, en la caja de la barrena / motor o en el montaje del canal de descarga. El contacto con las piezas rotatorias puede producir la amputación de manos y pies.
2. La palanca de control de la barrena / motor es un dispositivo de seguridad. Nunca pase por alto su funcionamiento. De hacerlo la operación de la máquina es riesgosa y puede ocasionar lesiones.
3. Las palancas de control deben funcionar bien en ambas direcciones y regresar automáticamente a la posición de desengrane cuando se las suelta.
4. Nunca opere la máquina si falta un montaje del canal o si el mismo está dañado. Mantenga todos los dispositivos de seguridad en su lugar y en funcionamiento.
5. Nunca encienda un motor en espacios cerrados o en una zona con poca ventilación. El escape del motor contiene monóxido de carbono, un gas inodoro y letal.
6. No utilice la máquina bajo la influencia del alcohol o las drogas.
7. El silenciador y el motor se calientan y pueden producir quemaduras. No los toque.
8. Sea sumamente precavido cuando opere la máquina sobre una superficie con grava o cuando la cruce. Manténgase alerta por si se presentan peligros ocultos o tránsito.
9. Tenga cuidado cuando cambie de dirección o cuando opere la máquina en pendientes.
10. Planifique el patrón en el que va a ir arrojando nieve para evitar que la descarga de material se produzca hacia las ventanas, las paredes, los automóviles, etc. y evitar así posibles daños materiales o lesiones producidas por los rebotes.
11. Nunca dirija la descarga hacia los niños, los observadores y las mascotas ni deje que nadie se pare delante de la máquina.
12. No sobrecargue la capacidad de la máquina tratando de sacar la nieve muy rápidamente.
13. Nunca opere esta máquina sin buena visibilidad o iluminación. Siempre debe estar seguro de que está bien afirmado y sostenga bien las manijas. Camine, nunca corra.
14. Corte la corriente a la barrena / motor cuando transporte la máquina o cuando la misma no está en uso.
15. Nunca opere la máquina a alta velocidad de desplazamiento sobre superficies resbaladizas. Mire hacia abajo y hacia atrás y tenga cuidado cuando vaya marcha atrás.
16. Si la máquina comenzara a vibrar de manera anormal, detenga el motor, desconecte el cable de la bujía y póngalo de manera que haga masa contra el motor. Inspeccione la máquina minuciosamente para ver si está dañada. Repare todos los daños antes de encender y operar la máquina.
17. Desengrane todas las palancas de control y detenga el motor antes de dejar la posición de operación (detrás de las manijas). Espere a que la barrena / motor se detenga por completo antes de destapar el montaje del canal o realizar ajustes e inspecciones.
18. Nunca ponga las manos en las aberturas de descarga o de recolección. Utilice siempre la herramienta de limpieza que se adjunta para destapar la abertura de descarga. No destape el montaje del canal mientras el motor está en funcionamiento. Antes de destaparlo, apague el motor y permanezca detrás de las manijas hasta que todas las partes móviles se hayan detenido.
19. Use sólo uniones y accesorios aprobados por el fabricante (por ejemplo, pesas para las ruedas, cadenas para los neumáticos, cabinas, etc.).
20. Si se presentan situaciones que no están previstas en este manual, sea cuidadoso y use el sentido común. Contacte con su centro de servicio Sears para obtener ayuda.

Mantenimiento y almacenamiento

1. Nunca manipule los dispositivos de seguridad de manera imprudente. Controle periódicamente que funcionen de forma adecuada. Remítase a las secciones de mantenimiento y ajuste de este manual.
2. Antes de realizar la limpieza, reparar o revisar la máquina, desengrane todas las palancas de control y detenga el motor. Espere a que la barrena / motor se detenga por completo. Desconecte el cable de la bujía y póngalo de manera que haga masa contra el motor para evitar que se encienda de manera accidental.
3. Controle frecuentemente que todos los pernos y tornillos estén bien ajustados para comprobar que la máquina se encuentra en condiciones seguras de funcionamiento. Asimismo, realice una inspección visual de la máquina para controlar si la misma está dañada.
4. No cambie la configuración del regulador del motor ni acelere demasiado el mismo. El regulador controla la velocidad máxima segura de operación del motor.
5. Las placas de raspado y las zapatas antideslizantes que se usan con la máquina quitanieve se desgastan y se dañan. Para proteger su seguridad, verifique frecuentemente todos los componentes y reemplácelos sólo con partes de los fabricantes de equipos originales (OEM). "La utilización de piezas que no cumplan con las especificaciones de equipos originales podría tener como resultado un rendimiento incorrecto, y además la seguridad podría estar comprometida"
6. Revise los controles periódicamente para verificar que engranen y desengranen adecuadamente y ajústelos si es necesario. Consulte la sección de ajustes en este manual del operador para obtener instrucciones.
7. Mantenga o reemplace las etiquetas de seguridad e instrucciones según sea necesario.
8. Respete las normas referentes a la disposición correcta y las reglamentaciones sobre gas, combustible, etc. para proteger el medio ambiente.
9. Antes de almacenar la máquina enciéndala unos minutos para sacar la nieve que haya quedado en la misma y para evitar así que se congele la barrena / motor.
10. Nunca almacene la máquina o el recipiente de combustible en un espacio cerrado donde haya fuego, chispas o luz piloto como por ejemplo, calentadores de agua, hornos, secadores de ropa, etc.
11. Consulte siempre el manual de funcionamiento para conocer las instrucciones adecuadas para el almacenamiento fuera de temporada.

No modifique el motor

Para evitar lesiones graves o la muerte, no modifique el motor bajo ninguna circunstancia. Si cambia la configuración del regulador el motor puede desconectarse y operar a velocidades inseguras. Nunca cambie la configuración de fábrica del regulador del motor.

Aviso referido a emisiones

Los motores que están certificados y cumplen con las regulaciones de emisiones federales EPA y de California para SORE (Equipos Small Off Road Equipment) están certificados para operar con gasolina común sin plomo y pueden incluir los siguientes sistemas de control de emisiones: Modificación de motor (EM) y catalizador de tres vías (TWC) si está equipado de esa manera.

Calcomanía de identificación del motor

Esta calcomanía indica el número del modelo del motor, las especificaciones y la fecha de fabricación. Por favor, mire la calcomanía en el motor de su equipo y registre esa información para referencia futura.

La calcomanía de identificación del motor también incluye especificaciones sobre el período de vida útil del motor relacionado con las emisiones. Este período está relacionado con la vida útil en conformidad con las emisiones según lo certificado por EPA y/o CARB. Para hallar la especificación del período de vida útil del motor, por favor lea la calcomanía del motor y ubique la letra (entre comillas) entre las palabras Moderado y Período de Vida Útil. Conecte una de las siguientes letras con la letra impresa en su calcomanía. Por ejemplo, a los modelos HMSK 80 se los designa como:

- "C" — 250 horas
- "B" — 500 horas
- "A" — 1000 horas

MONTAJE

IMPORTANTE: esta unidad se envía con el motor lleno de aceite. Después del montaje, consulte la página 10 para los detalles del combustible y el aceite.

Extracción de la unidad de la caja

1. Corte las esquinas de la caja de cartón y extiéndala en el piso. Quite todos los insertos de empaque.
2. La manija superior está empacada sin ensamblar en la máquina quitanieve, aunque conectada mediante cables. Saque la máquina quitanieve y la manija superior de la caja.
3. Asegúrese de vaciar completamente la caja antes de tirarla.

Antes del montaje



ADVERTENCIA: desconecte el cable de la bujía y póngalo de manera que haga masa contra el motor para evitar que se encienda de manera accidental.

NOTA: Las referencias que contiene este manual sobre los lados derecho o izquierdo de la máquina quitanieve se hacen observando la misma desde la posición de operación a menos que se indique lo contrario.

Configuración de la manija

1. Quitar el lazo de cable que asegura el mango superior para bajar el mango para embarcar objetivos. Quite todo el plástico protector que se abriga de mangos como en la Figura 1.

NOTE: Procure no quitar los tres lazos de cable sueltamente encajados que serán utilizados más tarde para asegurar cables.

2. Desenroscar y remover la argolla del tornillo por cada lado la parte inferior del manubrio. Ver la figura 2.

3. Deslizar uno de los lazos de cable sueltamente empotrados de la derecha del mango inferior hasta el miembro enfadado del mango inferior. Abandone el segundo lazo de cable en el lugar.

IMPORTANTE: será necesario levantar el mango superior deslizándolo este lazo de cable para prevenir el daño al cable.

4. Levantar el mango superior y colocarlo sobre el mango inferior, alineando los agujeros donde las perillas de fueron quitadas.

PRECAUCIÓN: Procure no doblarse o vuelta los cables.

5. Introducir el clavo en la ranura para tal efecto desde la parte exterior del manubrio atravesando los tubos superior e inferior de dicho manubrio y dentro de la argolla de sujeción (2). Repetir la operación por el otro lado.

6. Apretar las perillas de sobre cada lado del mango. Refiérase a la Figura 3.

NOTE: el cable de taladro y la ruta de cable de control de velocidad abajo el izquierdo más abajo se manejan de la caja de control de velocidad. El cable de paseo es derrotado a través de la cumbre del mango inferior y finalmente abajo el mango derecho inferior. Ver la Figura 4.

7. Tres lazos de cable han sido usados sueltamente para atar los cables de control al mango inferior, incluso el cable le atan trasladado en el paso 3. Los lazos de cable de posición ahora, como en la Figura 4, y se aprietan para asegurar cables al mango inferior. Neto de material de exceso de lazos de cable.

Zapato de Patinazo

El espacio entre el plato de afeitado y la tierra puede ser ajustado. Refiérase a la Figura 6 para la posición del plato de afeitado y patine zapatos. Para el retiro de nieve cercano, coloque zapatos de patinazo en

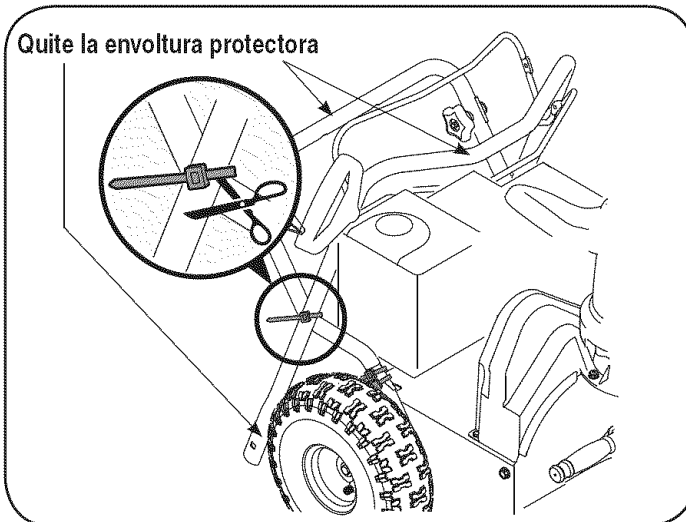


Figura 1

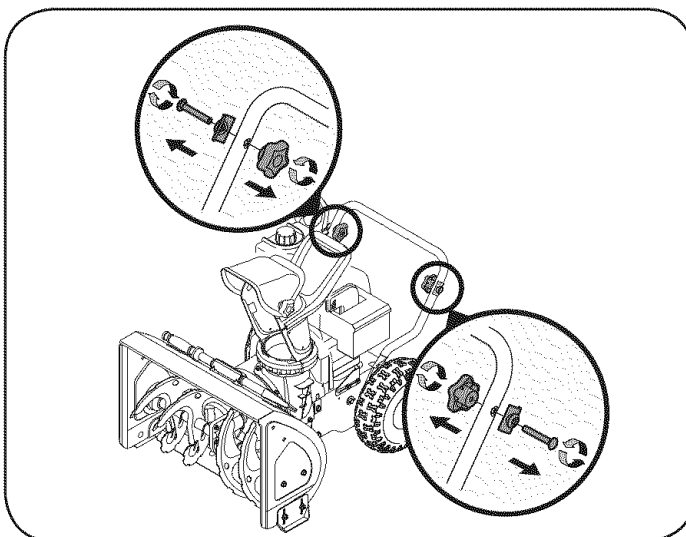


Figura 2

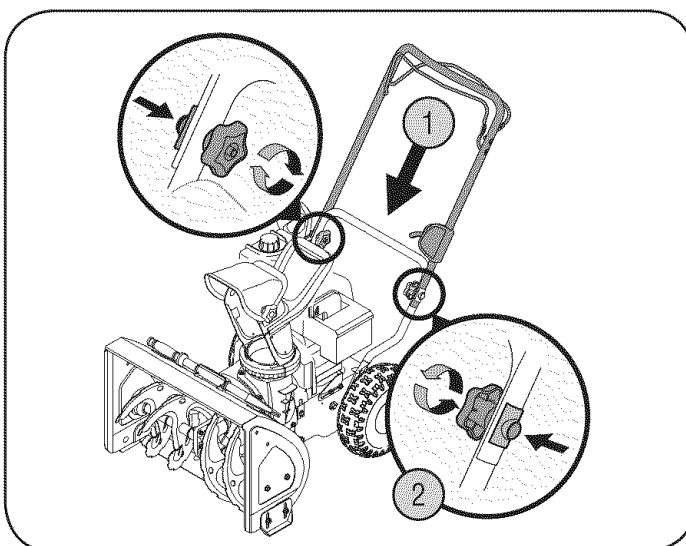


Figura 3

MONTAJE

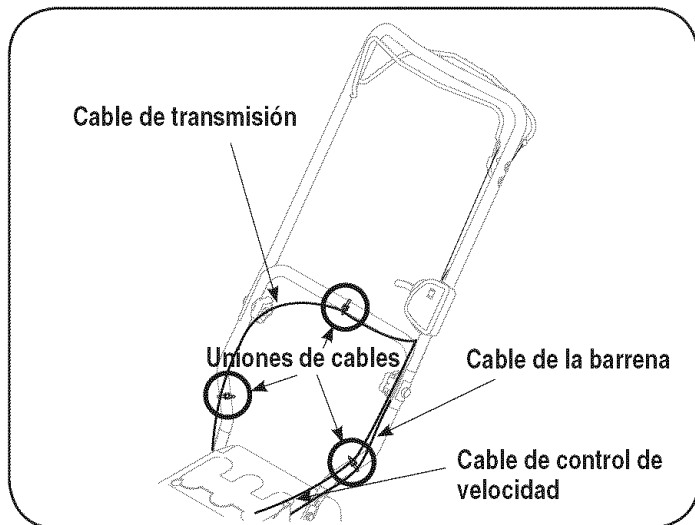


Figura 4

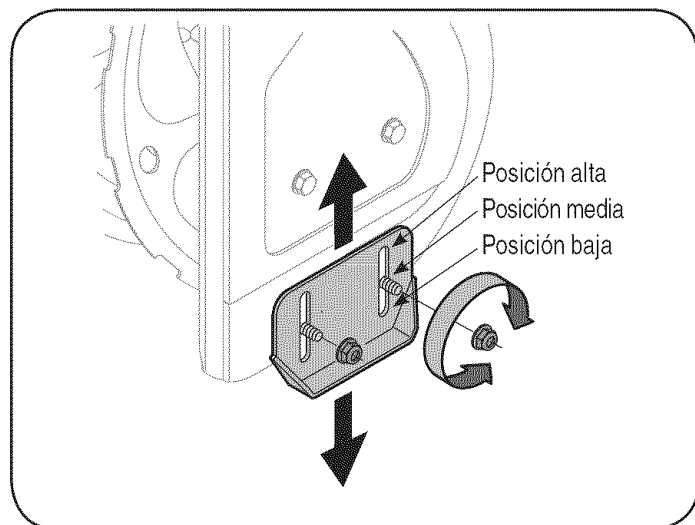


Figura 5

la posición baja. Cuando el área para ser limpiada es desigual, zapatos de patinazo de lugar en la posición media o alta. Ver la Figura 5.

NOTE: no recomiendan a la operación de este lanzador de nieve sobre la grava cuando la grava suelta puede ser fácilmente recogida y lanzada por el taladro que causa a herida personal o daño al lanzador de nieve. Si usted tiene que hacerlo funcionar sobre la grava, guarde el zapato de patinazo en la posición más alta para el despacho de aduana máximo.

1. Ajustar zapatos de patinazo soltando dos loco de maleficio y cerrojos de carro sobre cada zapato de patinazo, y moviendo el zapato de patinazo a la posición deseada. Ver la Figura 5.

2. Hacer seguro la superficie de fondo entera del zapato de patinazo está contra la tierra para evitar la ropa desigual sobre los zapatos de patinazo.

3. Apretar loco y cerrojos bien.

Instrumento Limpio hacia fuera

Este instrumento ha sido sujetado con un lazo de cable al reverso del alojamiento de taladro para embarcar objetivos. El corte y quita el lazo de cable como instruido en la página 3.

Ajustes finales

IMPORTANTE: controle los ajustes de acuerdo con las instrucciones y realice los ajustes finales necesarios antes de operar la unidad. Controle el ajuste de todas las tuercas y los pernos. Si no sigue estas instrucciones, la unidad podría dañarse.

Presión de Neumático

La presión de inflación apropiada es 20 psi. Compruebe la presión de neumático periódicamente y mantenga la presión igual en ambos neumáticos siempre. La presión excesiva (bien arriba 20 psi) puede hacer que la rueda (neumático/borde) asamblea se reviente con la fuerza suficiente para causar la herida seria. No sobreinfla el neumático. Use una bomba manual o el neumático eléctrico portátil inflador para prevenir la sobreinflación. **NUNCA USE UN COMPRESOR DE AIRE.**



ADVERTENCIA: Sobreinflar el neumático con la presión excesiva (bien arriba 20 psi) puede hacer que el neumático/borde se reviente con la fuerza suficiente para causar la presión seria.

Cómo dirigir el cable de transmisión

1. El cable de transmisión y el cable de la barrena se dirigen a través de la caja de control de velocidad en el lado izquierdo de la manija. El cable de la barrena y el cable de control de velocidad se dirigen después hacia la manija inferior izquierda. El cable de transmisión se dirige a través de la parte superior de la manija superior y, por último, hacia abajo a la manija inferior derecha. Vea la figura 5.
2. Se han utilizado tres uniones de cable para ajustar sin tensión los dos cables de control a la manija inferior. Dos de estas uniones de cable están en cada brazo, y la tercera en la barra transversal superior de la manija inferior. Ajuste estas uniones de cable para sujetar los cables a la manija inferior. Vea la figura 5.

Prueba de control de la barrena

IMPORTANTE: realice la prueba siguiente antes de operar la máquina quitanieve por primera vez al principio de cada invierno.

Compruebe el ajuste del control de la barrena de la siguiente forma:

1. Cuando se suelta el control de la barrena y está en posición desengranada arriba, el cable debe tener muy poco juego, pero NO debe estar ajustada.



ADVERTENCIA: no ajuste demasiado el cable. Ajustar en exceso puede evitar que la barrena se desengrane y poner en peligro la seguridad de la máquina quitanieve.

2. En un área bien ventilada, arranque el motor de la máquina quitanieve según se indica anteriormente en esta misma sección en el encabezado "Encendido del motor". Asegúrese de que el estrangulador está ajustado en posición FAST (rápida).
3. Parado en la posición del operador (detrás de la unidad), engrane la barrena.
4. Deje la barrena engranada durante aproximadamente diez (10) segundos antes de soltar el control de la misma. Repita esta operación varias veces.
5. Con el motor funcionando en posición rápida y el control de la barrena en posición desengranada arriba, camine al frente de la máquina.
6. Confirme que la barrena ha dejado de girar por completo y no muestra NINGÚN signo de movimiento.

IMPORTANTE: si la barrena muestra CUALQUIER signo de rotación, vuelva a la posición del operador y apague el motor inmediatamente. Espere a que todas las partes móviles se detengan antes de volver a ajustar el cable de control de la barrena, tal y como se muestra en la página 13.

Conozca su máquina quitanieve

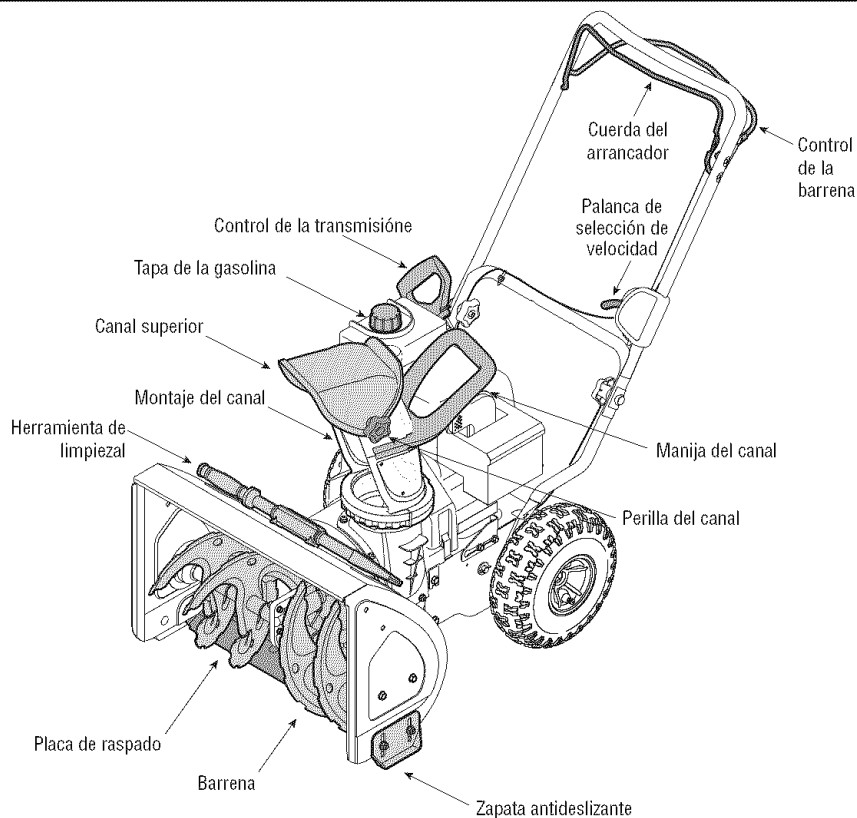


Figura 6



ADVERTENCIA: familiarícese con el uso de todos los controles de la máquina quitanieve y con su correcto funcionamiento. Sepa cómo detener la máquina y cómo desengranar los controles rápidamente.

NOTA: compare las figuras 6 y 7 con su equipo y siga la descripción de los controles, que se ofrecen a continuación, para familiarizarse con su operación.

Control de la transmisión

Ubicado sobre la parte de abajo de la manija superior, el control de la transmisión se utiliza para engranar / desengranar las ruedas. Apriete el control de la transmisión contra la manija superior para engranar las ruedas, y suéltelo para desengranarlas.

Control de la barraena

El control de la barraena está al lado de la manija superior. Apriete el control de la región contra la manija superior para engranar las barraenas, y suéltelo para desengranarlas.



ADVERTENCIA: nunca realice ajustes al montaje del canal a menos que los controles de la barraena y la transmisión estén desengranados y el operador esté parado junto a la unidad.

IMPORTANTE: consulte la prueba de control de la barraena en la página 7 antes de operar su máquina quitanieve. Lea y cumpla todas las instrucciones con cuidado, y realice todos los ajustes para verificar que su máquina quitanieve opera de forma segura y adecuada.

Manija del canal

La dirección en que se arroja la nieve corresponde a la dirección de apertura del canal. Use la manija del canal para girar el montaje del canal en la dirección en la que desee quitar la neve.

Perilla del canal

Es posible ajustar la distancia a la cual se arroja la nieve elevando o bajando el canal superior. Afloje la perilla del canal del lado del canal superior para ajustarlo. Gire el canal superior a la posición deseada y vuelva a ajustar la perilla del canal.

Palanca de selección de velocidad

Su máquina quitanieve está equipada con un sistema de transmisión con propulsión de 3 velocidades. La velocidad está controlada por la palanca de selección de velocidad, ubicada del lado izquierdo de la manija inferior. Cuenta con tres velocidades. Con la palanca completamente bajada hacia el motor, la velocidad 1 es la más baja.

IMPORTANTE: para cambiar las velocidades, la unidad debe estar en funcionamiento y el control de la transmisión debe estar desengranado.

Placa de raspado

La placa de raspado hace contacto con el pavimento a medida que se impulsa la máquina quitanieve, permitiendo que se descargue la nieve que está cerca de la superficie del pavimento.

Zapata antideslizante

Se puede ajustar el espacio que existe entre la placa de raspado y el suelo. Si desea quitar nieve al ras del suelo, coloque las zapatas antideslizantes en la posición baja. Use las posiciones media o alta cuando la superficie que desea limpiar sea despereja o en superficies con grava.

Conozca su máquina quitanieve

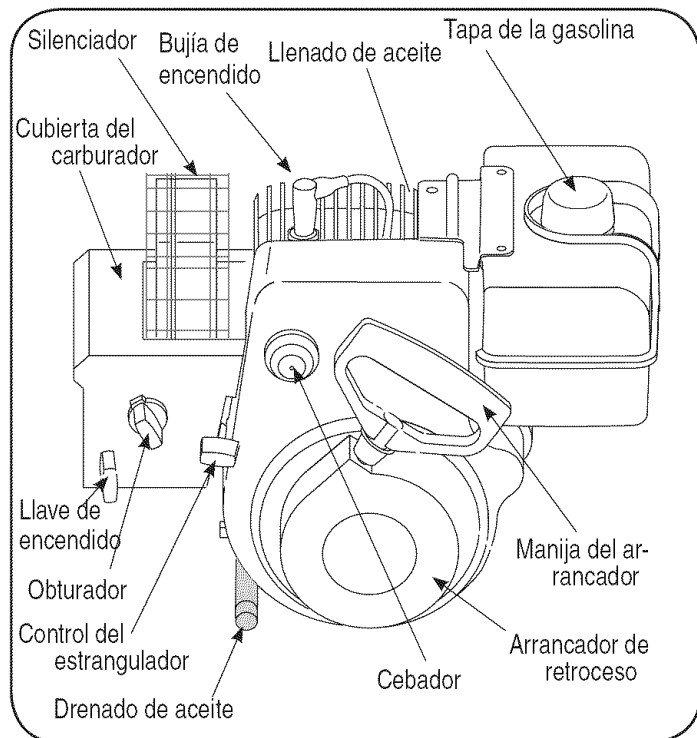


Figura 7

Herramienta de limp

La herramienta de limpieza se adjunta para destapar la abertura de descarga. No destape el canal de descarga mientras el motor está en marcha.



ADVERTENCIA: antes de destaparlo, apague el motor y permanezca detrás de las manijas hasta que todas las partes móviles se hayan detenido completamente. Nunca ponga las manos en las aberturas de descarga o de recolección. Utilice siempre la herramienta de limpieza que se adjunta.

Control de obturación

Al activar el control de obturación se cierra la placa de obturación del carburador y se ayuda a encender el motor. Para información sobre el uso de la obturación, consulte la página 10 de este manual.

Arrancador de retroceso y manija del arrancador

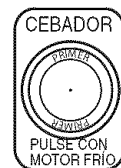
Este motor cuenta con arranque por estiramiento con acción de retroceso y manija de la empuñadura de mitón para un fácil acceso usando guantes o mitones.

Llave de encendido

La llave de encendido es necesaria para arrancar el motor. Inserte la llave y ajústela en su lugar; no la gire para arrancar / detener la unidad. Retire la llave cuando no use la unidad.

Cebador

Al presionar el cebador se envía combustible directamente al carburador del motor para ayudar al encendido cuando el clima es frío. Consulte las instrucciones de encendido en la sección de operación de este manual para usar correctamente el cebador.



Llenado de aceite

Saque el tapón de aceite para agregar aceite. Consulte la página 14 para obtener instrucciones sobre control y llenado de aceite.

Tapa de la gasolina

Saque el tapón de llenado de combustible para agregar combustible. La unidad opera con combustible normal.

NOTA: esta unidad puede incluir un tapón de combustible, que únicamente se utiliza durante el montaje para mantener el tanque de combustible libre de suciedad y residuos. Descarte el tapón de combustible antes de llenar el tanque de combustible.



Control del estrangulador

El control del estrangulador está ubicado en el motor. Regula la velocidad del motor y también lo detiene. La imagen de la derecha representa las velocidades del control del estrangulador.



PARADA



Operación

Antes de encender el motor

Aceite del motor

El motor se envía con aceite en el motor. Compruebe el nivel de aceite antes del primer uso. Para los llenados subsiguientes, use el grado de aceite para motor especificado en la página 14. Para agregar aceite:

1. Saque la varilla del nivel de aceite del orificio de llenado de aceite. Vierta aceite nuevo lentamente a través del tapón. Reemplace la varilla del nivel de aceite.
2. Controle y compruebe que el nivel de aceite esté hasta arriba en la marca FULL de la varilla del nivel del aceite.

Gasolina



ADVERTENCIA: la gasolina es inflamable; tenga precaución cuando la manipule o la almacene. No llene el tanque de combustible mientras la máquina quitanieve está en marcha, cuando está caliente o cuando está en un área cerrada.



ADVERTENCIA: evite que su máquina quitanieve entre en contacto con llamas abiertas o chispas eléctricas y no fume mientras se agrega combustible.

1. Nunca llene el tanque de combustible completamente. Llene el tanque no más de 1/2 pulgada por debajo de la base del cuello del llenador para dejar espacio para la dilatación del combustible.

NOTA: esta unidad puede incluir un tapón de combustible, que únicamente se utiliza durante el montaje para mantener el tanque de combustible libre de suciedad y residuos. Descarte el tapón de combustible antes de llenar el tanque de combustible.

2. Siempre use gasolina para automotores sin plomo, limpia y nueva. Llene el tanque de combustible al aire libre y use un embudo o pico para evitar derrames. Asegúrese de que el recipiente desde el cual vierte la gasolina esté limpio y no esté oxidado ni contaminado con otras partículas extrañas. Asegúrese de limpiar el combustible que se haya derramado antes de arrancar el motor.
3. Al finalizar el trabajo, vacíe el tanque de combustible si la máquina quitanieve no será utilizada durante los siguientes 30 días o más. Almacene la gasolina en un recipiente limpio y mantenga la tapa bien ubicada en el recipiente.

PRECAUCIÓN: nunca use productos de limpieza para el motor o el carburador en el tanque de combustible.

Para encender el motor



ADVERTENCIA: asegúrese de que ninguna persona además del operador esté parada cerca de la máquina quitanieve mientras arranca u opera. No opere esta máquina quitanieve a menos que el montaje del canal haya sido correctamente instalado y esté asegurado.

NOTA: para ubicar todos los controles del motor que se mencionan en esta sección, consulte la figura 7.

Encendido en frío

1. Asegúrese de que los controles de la barrena y la transmisión están desengranados. Conecte el cable de la bujía a la misma.
2. Encienda la válvula, si es parte del equipo.
3. Mueva el control del estrangulador a la posición FAST (rápido).
4. Presione la tecla en la ranura de encendido hasta que encaje a presión en su lugar. No gire la llave.
5. Rote el control de obturación a posición FULL del obturador.

6. Presione el botón del cebador mientras cubre el agujero de ventilación. Quite su dedo del cebador entre un cebado y otro. No cebe si la temperatura supera los 50°F; cebe dos veces entre 50°F y 15°F; y cebe cuatro veces por debajo de 15°F.
7. Tome la manija del arrancador y saque cuerda lentamente hasta que el motor alcance el comienzo del ciclo de compresión (la cuerda tirará un poco más fuerte en este punto). Deje que la cuerda se enrosque lentamente.
8. Tire de la cuerda de manera rápida y continua. Mantenga firme la manija del arrancador, deje que la cuerda regrese lentamente al arrancador. Repita hasta que el motor se encienda.
9. Mientras se calienta el motor, rote lentamente la perilla del obturador a posición OFF (apagado). Si el motor falla, gire hacia posición FULL, luego mueva lentamente hacia posición OFF.
10. Deje que el motor se enfríe por algunos minutos ya que el motor no alcanzará la potencia total hasta lograr la temperatura operativa.
11. Opere el motor con el estrangulador al máximo (RÁPIDO) cuando esté arrojando nieve.

Encendido en caliente:

1. Si vuelve a arrancar un motor después de una parada temporal, rote el obturador a posición OFF en lugar de FULL y no lo cebe. Tire de la manija del arrancador como se explicó anteriormente.

Antes de detener la máquina

1. Deje encendido el motor durante algunos minutos para permitir que se seque la humedad en el mismo.
2. Para evitar un posible congelamiento, siga estos pasos:

Arrancador de retroceso

- a. Con el motor en funcionamiento, tire con fuerza de la soga del arrancador tres o cuatro veces de manera continua y seguida.

Procedimiento para detener la máquina quitanieve

1. Para detener las ruedas, suelte el control de la transmisión.
2. Para dejar de quitar la nieve, suelte el control de la barrena.
3. Para detener el motor presione la palanca de control del estrangulador hasta la posición OFF (apagado) y saque la llave. No gire la llave.



ADVERTENCIA: la temperatura del silenciador y de las áreas que lo rodean puede superar los 150° F. Evite dichas áreas.

Procedimiento para quitar la nieve

PRECAUCIÓN: revise la zona que desea limpiar para detectar la presencia de objetos extraños. Retírelos si los hay.

1. Encienda el motor siguiendo las instrucciones de encendido.
2. Deje que el motor se caliente unos minutos ya que el mismo no desarrollará la potencia máxima hasta que alcanza la temperatura de funcionamiento.
3. Gire el montaje del canal hacia la dirección deseada, lejos de transeúntes o edificios.
4. Asegúrese de que no haya ningún transeúnte ni ningún objeto enfrente de la unidad, presione el control de la barrena completamente hasta engranar totalmente las barrenas.
5. Mientras engrana el control de la barrena, presione el control de la transmisión completamente contra la manija superior para engranar las ruedas. No "expanda" el control de transmisión.

Operación

6. A medida que la máquina quitanieve comienza a moverse, sostenga firmemente la manija y guíe la máquina a lo largo del camino que desea limpiar.
7. Suelte los controles de la barrena y la transmisión para que la máquina deje de quitar nieve y de desplazarse hacia delante.

NOTA: su unidad está equipada con un embrague en la transmisión. Si las ruedas se detienen mientras trata de descargar grandes volúmenes de nieve, inmediatamente desengrane el control de la transmisión y deje que las barrenas que están girando descarguen nieve de la caja. Reduzca la anchura de separación y continúe la operación.

8. Con las pasadas sucesivas reajuste el montaje del canal en la posición deseada y trasape levemente la pasada que limpió previamente.

Palanca de selección de velocidad

Su unidad está equipada con un sistema de transmisión con propulsión de 3 velocidades. La posición de velocidad 1, cuando la palanca está presionada completamente hacia el motor, es la lenta. La posición de velocidad 2 es un poco más rápida, y la 3 es la más rápida. Vea la figura 8.

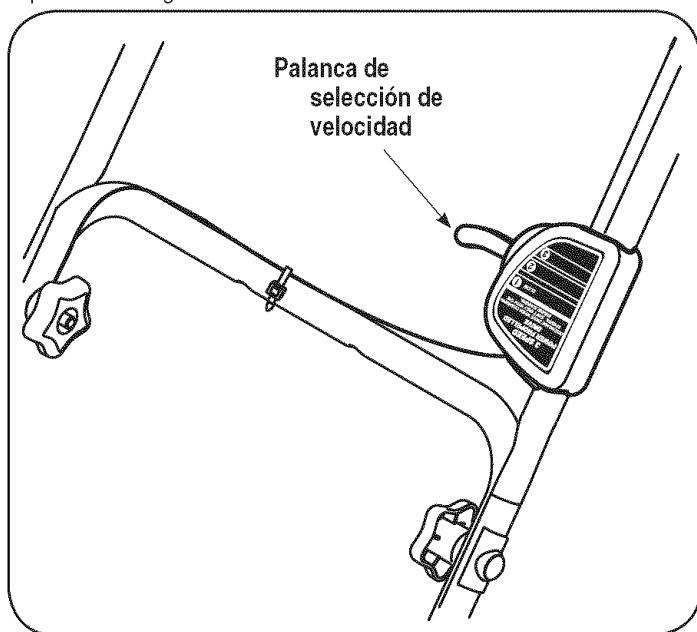


Figura 8

Para utilizar esta función, siga estas instrucciones:

1. Cambie la velocidad de su máquina quitanieve únicamente con el motor en marcha.
2. Suelte la manija de control de la transmisión antes de cambiar de velocidad.

Consejos de operación

1. Para que el quitado de la nieve sea más eficiente debe hacerlo inmediatamente después de la caída de la misma.
2. En lo posible, descargue la nieve en dirección al viento. Trasape levemente las pasadas anteriores.
3. Configure las zapatas antideslizantes 1/4" por debajo de la placa de raspado para un uso normal. Las zapatas antideslizantes se pueden ajustar hacia arriba cuando la nieve esté muy compactada.

NOTA: no se recomienda que opere esta máquina quitanieve sobre grava, ya que es posible que la máquina quitanieve tome la grava suelta y la barrena la expulse, lo cual podría causar lesiones personales o dañar la máquina quitanieve.

4. Si por algún motivo tiene que usar la máquina quitanieve sobre grava, mantenga la zapata antideslizante en la posición más elevada para lograr una separación máxima entre el suelo y la placa de raspado.
5. Limpie cuidadosamente la máquina quitanieve después de cada uso.

Limpieza del montaje del canal

La herramienta de limpieza está ajustada convenientemente a la caja de la barrena con una horquilla de montaje.

Cuando se acumulen nieve y hielo en el montaje del canal durante la operación, use esta herramienta para limpiar de manera segura el canal y la abertura del canal. Siga los pasos que aparecen debajo para operarla.



ADVERTENCIA: detenga el motor moviendo la palanca del estrangulador a la posición de parada, y espere a que todas las partes móviles se detengan antes de utilizar la herramienta de limpieza.

1. Suelte los controles de la barrena y la transmisión.
2. Detenga el motor moviendo la palanca del estrangulador a la posición de parada.
3. Saque la herramienta de limpieza del pasador que la ajusta a la parte posterior de la caja de la barrena.
4. Use el extremo con forma de pala de la herramienta de limpieza para desplazar y recoger la nieve y el hielo que se formaron cerca del conjunto del canal.



ADVERTENCIA: nunca use sus manos para limpiar la nieve y el hielo del montaje del canal o la caja de la barrena.

5. Vuelva a ajustar la herramienta de limpieza a la horquilla de montaje ubicada en la caja de la barrena. Ahora ya puede empezar a operar su máquina quitanieve. Vea la figura 9.

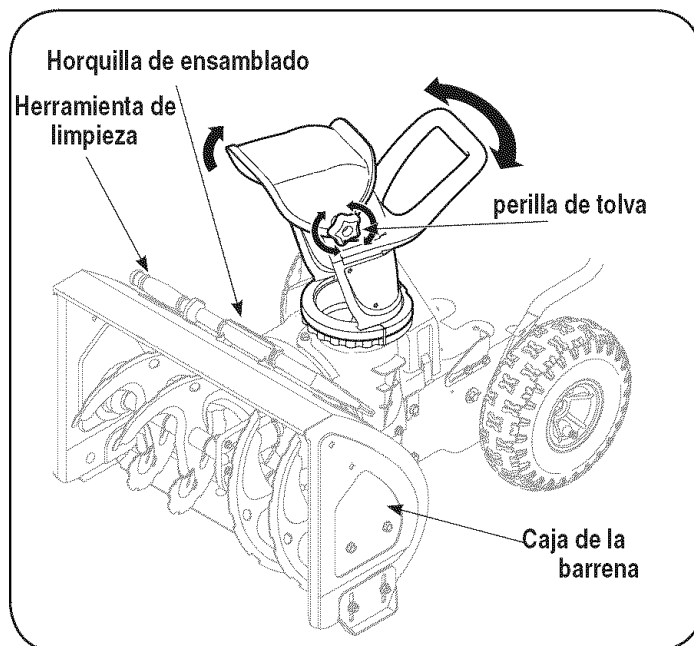


Figura 9

Mantenimiento y servicio

Recomendaciones generales

1. Respete siempre las reglas de seguridad cuando realice tareas de mantenimiento.
2. La garantía de esta máquina quitanieve no cubre elementos que han estado sujetos al mal uso o negligencia del operador. Para recibir el reembolso total de la garantía, el operador deberá dar mantenimiento a la máquina quitanieve como se indica en este manual.
3. Revise periódicamente todos los sujetadores y los elementos de ferretería y compruebe que estén bien ajustados.



ADVERTENCIA: antes de realizar tareas de servicio, reparación, lubricación o inspección, desengrane todos los controles y detenga el motor. Espere a que se detengan todas las piezas móviles. Desconecte la bujía y póngala de manera que haga masa contra el motor. Utilice siempre anteojos de seguridad durante la operación o mientras ajusta o repara este equipo.

Cambio de la placa de raspado y las zapatas antideslizantes

La placa de raspado y las zapatas antideslizantes ubicadas en la base de la máquina quitanieve están sujetas a desgaste. Debe controlarlas periódicamente y reemplazarlas cuando sea necesario.

1. Para cambiarlas, quite los pernos de carro y las tuercas hexagonales que aseguran cada zapata antideslizante a la caja de la máquina quitanieve. Vea la figura 10.
2. Vuelva a ensamblar nuevas zapatas antideslizantes con los materiales que acaba de retirar. Compruebe que las zapatas antideslizantes están ajustadas para que queden parejas.
3. **Para retirar la placa de raspado:** retire ambas zapatas antideslizantes y los elementos de ferretería, incluyendo los pernos del carro y las tuercas hexagonales que unen la placa de raspado a la caja de la máquina quitanieve. Por la ubicación de la placa de raspado, consulte la figura 10.
4. Vuelva a ensamblar la placa de raspado nueva, asegurándose de que las tapas de los pernos de carro se encuentren del lado interior de la caja. Vuelva a instalar las zapatas antideslizantes. Ajuste bien.

Servicio de las barrenas

Las barrenas están ajustadas al eje espiral con cuatro pasadores de cuchilla y pasadores de chaveta. Si golpea un objeto extraño o una barra de hielo, la máquina quitanieve está diseñada de manera que los pasadores se cortan. Consulte la figura 10.

Si las barrenas no giran, verifique si los pasadores se cortaron. Si es necesario, reemplace con los pasadores de cuchilla adecuados. Consulte el elemento 42 en la página 19 para conocer el número de parte.

IMPORTANTE: no reemplace NUNCA los pasadores de cuchilla por pasadores estándar o sujetadores. Cualquier daño que sufra el engranaje de la barrena o cualquier otro componente por el uso de pasadores estándar NO estará cubierto por la garantía de su máquina quitanieve.

Lubricación

Para ubicar los puntos de lubricación de la máquina quitanieve, consulte la figura 11.

1. Una vez por temporada, lubrique los puntos de giro del control de la barrena y el control de la transmisión con un aceite liviano para motor.
2. Una vez por temporada, lubrique el soporte intermedio de la barrena con un aceite liviano.

Motor

A continuación se enumeran recomendaciones generales sobre el mantenimiento del motor de su máquina quitanieve.

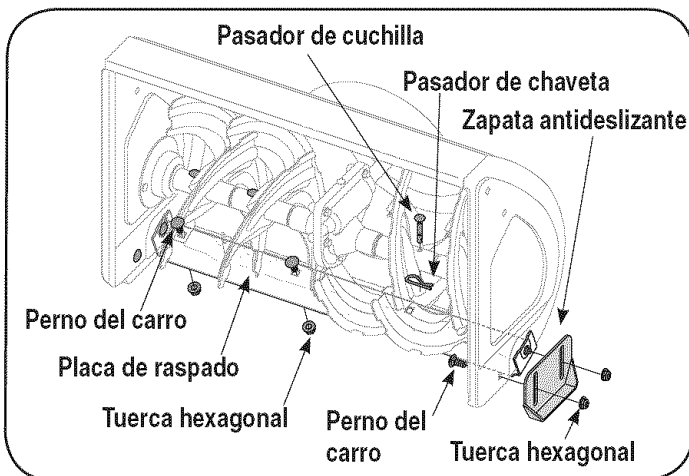


Figura 10

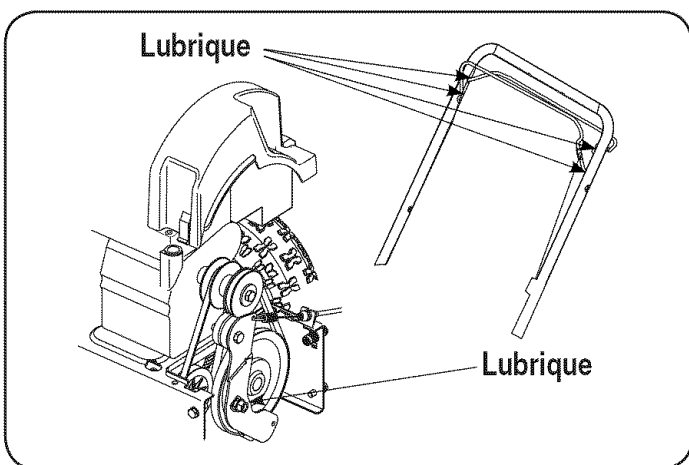


Figura 11

1. Antes de operar la máquina quitanieve, controle el nivel de aceite.
2. Cambie el aceite del motor después de las dos primeras horas de operación y a partir de ahí cada 25 horas de operación.
3. Limpie la bujía y ajuste el espacio de electrodos a 0,030" al menos una vez por estación o cada 100 horas de funcionamiento; reemplácela cada 200 horas de operación.

Compruebe las correas en V

Siga las instrucciones a continuación para verificar el estado de las correas de transmisión cada 50 horas de funcionamiento.

1. Saque la cubierta plástica de la correa ubicada en el frente del motor. Para ello saque los dos tornillos autorroscantes y presione las aletas de plástico para soltar la cubierta de la correa.
2. Compruebe visualmente la existencia de correas raídas, agrietadas o excesivamente gastadas. En caso de ser necesario, reemplace

según las instrucciones que aparecen a continuación.

Reemplazo de las correas

NOTA: esta máquina quitanieve viene equipada con dos correas: una correa de la barrena y correa de transmisión. Se recomienda que ambas correas sean reemplazadas al mismo tiempo.

1. Retire de la bujía el cable de la misma, y póngalo de manera que haga masa contra el motor para evitar que se encienda de manera accidental.

Mantenimiento y servicio

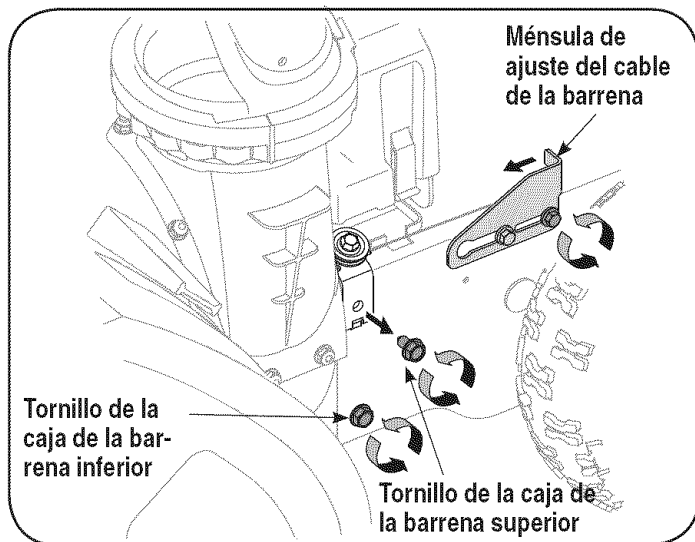


Figura 12

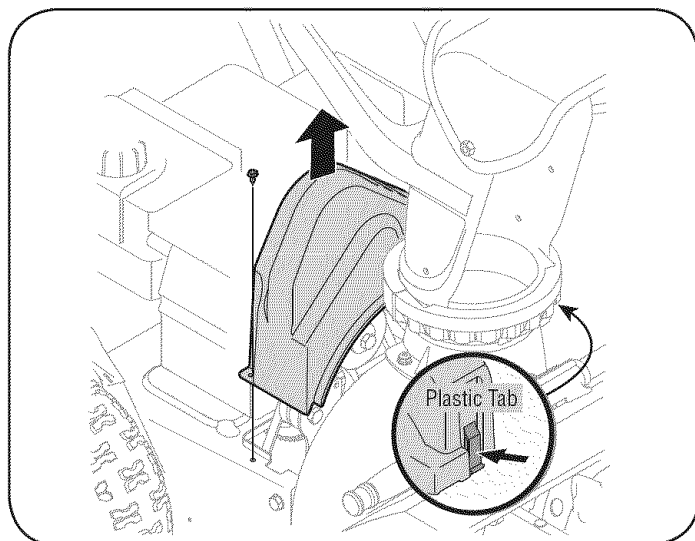


Figura 13

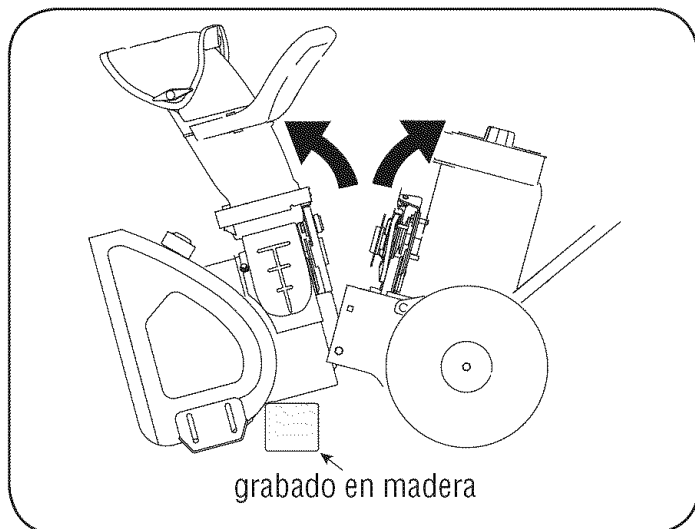


Figura 14

2. Drene la gasolina del tanque de combustible por debajo de $\frac{1}{2}$ tanque o haga funcionar la máquina con menos de medio tanque, o coloque un trozo de plástico debajo del tapón de llenado del combustible para evitar una pérdida de gasolina.



ADVERTENCIA: realice el mantenimiento de la correa al aire libre, ya que es posible que haya pérdidas de combustible del carburador incluso cuando se ubica un trozo de plástico bajo la tapa de llenado de combustible para evitar que éste sufra pérdidas.

Ajuste del cable de la barrena

Es posible que se requieran ajustes periódicos del cable de control de la barrena debido al estiramiento y al desgaste normal de la correa. Se necesitarán ajustes si las barrenas parecen temblar mientras giran, pero el motor mantiene su velocidad, o si sigue girando con el control de la barrena desengranado.

1. Afloje la tuerca hexagonal posterior en el soporte de ajuste del cable. Vea la figura 12.
2. Deslice el soporte de ajuste del cable hacia atrás reduciendo el juego del cable de la barrena.
3. Vuelva a ajustar la tuerca hexagonal posterior.
4. Encienda el motor y verifique que el control de la barrena se engrana y desengrana adecuadamente.

NOTA: si la barrena continúa girando con el control desengranado, apague el motor y reajuste.

Correa de la barrena

1. Afloje el tornillo posterior en la ménsula de ajuste del cable de la barrena utilizando una llave de $\frac{3}{8}$ " y deslice el soporte completamente hacia delante para lograr el máximo juego en el cable de la barrena. Vea la figura 12.
2. Retire el tornillo de la cubierta de la correa utilizando una llave de $\frac{5}{16}$ con extensión y eleve la misma ligeramente. Asimismo, también debe soltar la aleta de plástico en el otro lado para elevar. No intente retirar la cubierta de la correa de la unidad en este momento. Vea la figura 13.
3. Afloje el tornillo de montaje de la caja de la barrena inferior de cada lado un (1) giro completo utilizando una llave de $\frac{1}{2}$ ". Vea la figura 12.
4. Utilice la misma llave para retirar los tornillos de montaje de la caja de la barrena superior en cada lado.

NOTA: el tornillo de la caja de la barrena superior en el lado izquierdo también asegura el soporte del cable de la barrena y el rodillo del cable. Preste atención a su ubicación y a cómo está situado como referencia para cuando vuelva a armar.

5. Empuje hacia abajo la manija de la unidad, lo que permite que la cubierta de la correa se retire fácilmente y también brinda acceso para realizar los procedimientos de mantenimiento de la correa que aparecen a continuación.
6. Para retirar la cubierta de la correa, deslice la correa de la barrena frontal fuera de la polea del motor empujándola hacia delante y haciéndola rodar fuera de la polea.
7. Empuje la manija de la unidad abriendo aún más esta área y permitiendo un mejor acceso a la polea de la barrena. Tal vez desee colocar un trozo de madera bajo la caja de la barrena para mantener la unidad abierta. Vea la figura 14.
8. Empuje la polea loca de la correa de la barrena soltando el freno de la barrena, que es la aleta que sujeta la correa sobre la polea de la correa. Retire la correa.
9. Reemplácela por la nueva correa después de reemplazar la correa de la transmisión.

Mantenimiento y servicio

NOTA: si no reemplaza la correa de la transmisión, proceda al paso 5 en la sección "Correa de la transmisión".

Correa de la transmisión

NOTA: para reemplazar la correa de la transmisión, primero deben seguirse las instrucciones de la correa de la barrena. Reemplace la correa de la transmisión antes de volver a ensamblar la nueva correa de la barrena.

1. Retire el broche de horquilla y gire la varilla alejándola de la unidad. Vea la figura 15.
2. Saque el brazo de control hacia fuera y desconecte el cable de la transmisión.
3. Estire hacia fuera la polea loca del lado derecho, reduciendo la tensión de la correa de la transmisión. Retire la correa de la transmisión de la polea loca y la polea de la transmisión. Vea la figura 16.
4. Gire el brazo de control para maniobrar la correa de la unidad. Retire la correa y reemplace con una nueva correa.

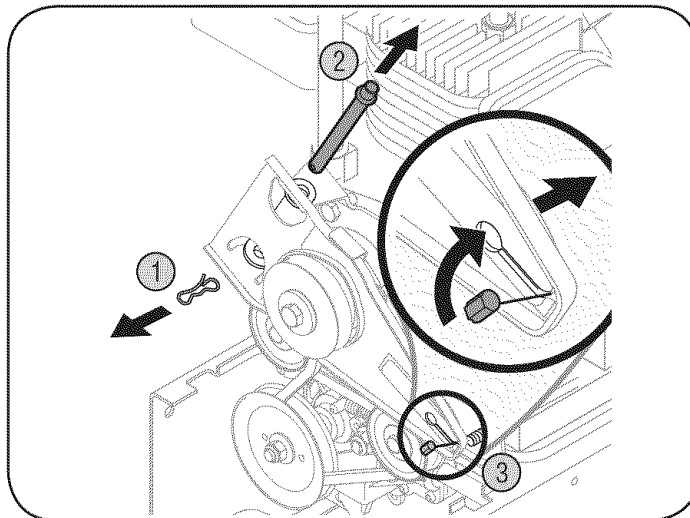


Figura 15

NOTA: asegúrese de mantener la posición del montaje de la polea de velocidad variable de manera que el pasador de posicionamiento de la correa quede en la posición superior.

5. Vuelva a armar en orden exactamente inverso.
6. Tras volver a armar, asegúrese de ajustar el cable de la barrena. Consulte las instrucciones "Ajuste del cable de la barrena" en la página 13 de este manual.

Verificación del nivel de aceite

Antes de operar la máquina quitanieve, controle el nivel de aceite mediante los siguientes pasos

1. Con el motor ubicado en suelo parejo, el aceite debe estar en la marca FULL (lleno) de la varilla del nivel de aceite.
2. Detenga el motor y espere varios minutos antes de verificar el nivel de aceite. Saque el tapón de carga de aceite y la varilla del nivel de aceite.
3. Limpie la varilla del nivel de aceite, insértela en el orificio de carga de aceite y ajústela bien.
4. Saque la varilla del nivel de aceite y contrólela. Si el aceite no llega hasta la marca FULL (lleno) de la varilla del nivel de aceite, agregue aceite.

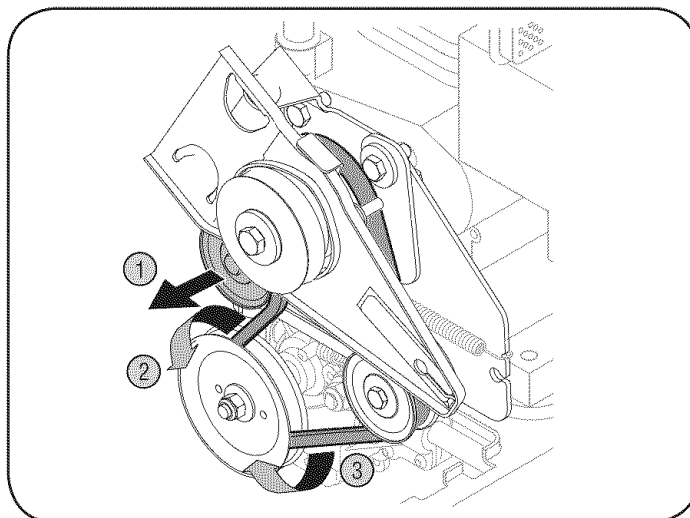
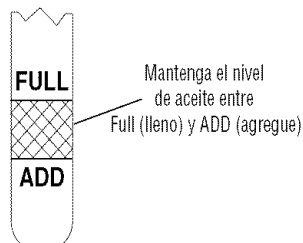


Figura 16

Cambio de aceite

Change engine oil after first two hours of operation and every 25
Cambie el aceite del motor después de las dos primeras horas de operación y a partir de ahí cada 25 horas de operación. Para realizar el cambio de aceite primero debe vaciar el motor del aceite usado y luego volver a llenarlo con aceite nuevo.

1. Drene el aceite mientras el motor está caliente. Saque la tapa de drenado del aceite ubicada en la base del arrancador de retroceso del motor. Junte el aceite en un recipiente adecuado.
2. Cuando se haya vaciado todo el motor de aceite, vuelva a colocar el tapón de drenado bien ajustado.
3. Saque la varilla del nivel de aceite del orificio de llenado de aceite. Para conocer la ubicación del llenado de aceite, consulte la figura 7. Vierta aceite nuevo lentamente a través del tapón. Reemplace la varilla del nivel de aceite.
4. Controle y compruebe que el nivel de aceite esté hasta arriba en la marca FULL de la varilla del nivel del aceite.

Recommended Oil Usage																
Multi Grade SAE 5W-30 or SAE 10W-30						Non-Multi Grade SAE 30										
Synthetic Multi Grade SAE 0W-30																
-30°C	-20°F	0°F	20°F	32°F	40°F	60°F	80°F	100°F	-30°C	-20°C	-10°C	0°C	10°C	20°C	30°C	40°C

Figura 17

Mantenimiento y servicio

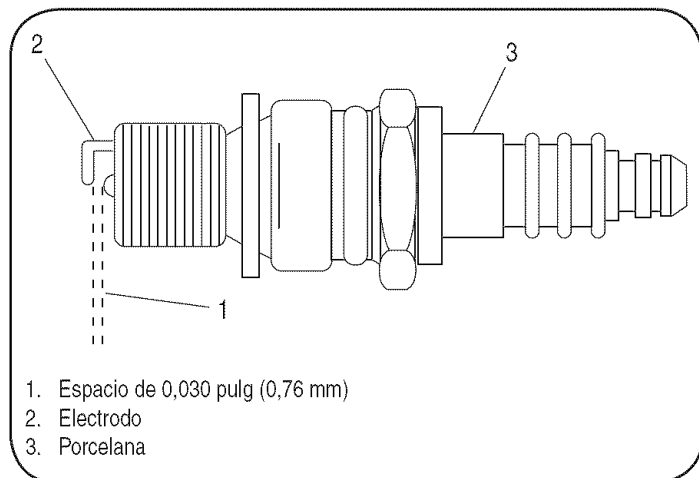


Figura 18

NOTA: aunque los aceites de viscosidad múltiple (5W30, 10W30 etc.) mejoran el encendido cuando el clima es frío, los mismos también aumentan el consumo de aceite cuando se usan a más de 32°F. Compruebe el nivel de aceite de la máquina quitanieve con mayor frecuencia para evitar que el motor resulte dañado por operar con un nivel de aceite bajo. Consulte la tabla de viscosidad que aparece en la figura 17.

Controle la bujía

Limpie la bujía y ajuste el espacio de electrodos a 0,030" al menos una vez por estación o cada 100 horas de funcionamiento; reemplácela cada 200 horas de operación.

1. Limpie el área alrededor de la base de la bujía.
2. Saque e inspeccione la bujía. Compruebe la separación y asegúrese de que está ajustada a 0,03. Vea la figura 18.
3. Cambie la bujía si los electrodos están picados, quemados o la porcelana está rota.

NOTA: no lije la bujía. Se deben limpiar las bujías mediante raspado o tallado con cepillo de alambre y lavado con un solvente comercial.

Siga el cronograma de mantenimiento que se presenta a continuación. Algunos ajustes deben ser realizados periódicamente para el mantenimiento adecuado de la unidad. Revise periódicamente todos los sujetadores y compruebe que estén bien ajustados. Controle su calendario de mantenimiento completando el campo "Fechas de los servicios" que aparece a continuación.



ADVERTENCIA: antes de realizar tareas de servicio, reparación, lubricación o inspección, desengrane todos los controles y detenga el motor. Espere a que se detengan todas las piezas móviles. Desconecte la bujía y póngala de manera que haga masa contra el motor. Utilice siempre anteojos de seguridad durante la operación o mientras ajusta o repara este equipo.

Calendario de mantenimiento

TAREAS	Antes de cada uso	Después de cada uso	Después de las 2 primeras horas de funcionamiento	Después de 25 horas de funcionamiento	Antes del almacenamiento	Una vez por temporada	FECHAS DE LOS SERVICIOS
Lubrique los puntos de giro						<input checked="" type="checkbox"/>	
Lubrique el mecanismo de transmisión, eje de engranaje hexagonal						<input checked="" type="checkbox"/>	
Engrase el eje de las ruedas						<input checked="" type="checkbox"/>	
Limpie el equipo		<input checked="" type="checkbox"/>					
Limpie la zapata antideslizante		<input checked="" type="checkbox"/>					
Compruebe las correas en V				<input checked="" type="checkbox"/>			
Controle el aceite del motor	<input checked="" type="checkbox"/>						
Vacíe el sistema de combustible					<input checked="" type="checkbox"/>		

ALMACENAMIENTO FUERA DE TEMPORADA

Si no se va a utilizar el equipo durante 30 días o más, o si es el final de la temporada de nieve y ya no existe posibilidad de que nieve, es necesario almacenar el equipo de manera adecuada. Siga las instrucciones de almacenamiento que se indican a continuación para garantizar el rendimiento máximo de la máquina quitanieve durante muchos años.

Preparación del motor



ADVERTENCIA: nunca almacene la máquina quitanieve con combustible en el tanque en un espacio cerrado o en áreas con poca ventilación, donde los gases del combustible puedan alcanzar el fuego, chispas o una luz piloto como la que tienen algunos hornos, calentadores de agua, secadores de ropa o algún otro dispositivo a gas.

NOTA: Es importante evitar que durante el almacenamiento se formen depósitos de goma en las piezas esenciales del sistema de combustible del motor como, por ejemplo, en el carburador, el filtro de combustible, la manguera de combustible o el depósito.

PRECAUCIÓN: A los combustibles con mezcla de alcohol (que se llaman gasohol, o que utilizan etanol o metanol) pueden atraer la humedad, lo que conduce a la separación y formación de ácidos durante el almacenamiento. El gas ácido puede dañar el sistema del combustible de un motor durante el almacenamiento del mismo.

Para evitar problemas con el motor, el sistema del combustible debe ser vaciado antes de almacenar la máquina durante 30 días o más. Siga estas instrucciones para preparar su máquina quitanieve para almacenarla:



ADVERTENCIA: drene el combustible dentro de un recipiente aprobado en un lugar exterior, lejos de todo tipo de fuego. Compruebe que el motor esté frío.

No fume. El combustible que se deje en el motor se deteriora cuando el clima es cálido y causa graves problemas de encendido.

1. Ponga el motor en marcha hasta vaciar el depósito de combustible y hasta que el motor se detenga debido a la falta de combustible.

NOTA: El uso de estabilizadores de combustible (como STA-BIL) es una alternativa aceptable para minimizar la formación de depósitos de goma de combustible durante el almacenamiento. Agregue el estabilizador a la gasolina que se encuentra en el depósito de combustible o en el recipiente de almacenamiento. Respete siempre la proporción de mezclado que figura en el recipiente del estabilizador. Ponga el motor en marcha por lo menos 10 minutos después de agregar el estabilizador para permitirle llegar al carburador. No drene el carburador si está utilizando un estabilizador de combustible.

2. Retire la bujía y vierta (1) onza de aceite para motor a través del orificio de la bujía y hacia el interior del cilindro. Cubra el orificio de la bujía con un trapo y ponga el motor en marcha varias veces para distribuir el aceite. Reemplace la bujía.

Preparación de la máquina quitanieve

1. Cuando almacene la máquina quitanieve en un galpón de depósito metálico o con poca ventilación, tenga especial cuidado de realizarle un tratamiento anti-oxidante al equipo. Use aceite ligero o silicón para recubrir el equipo, especialmente las cadenas, los resortes, los cojinetes y los cables.
2. Elimine todo el polvo del exterior del motor y del equipo.
3. Siga las recomendaciones de lubricación en la sección de mantenimiento de este manual.
4. Almacene el equipo en un área despejada y seca.

SOLUCIÓN DE PROBLEMAS

Problema	Causa	Remedio
El motor no arranca	<ol style="list-style-type: none"> 1. La palanca de obturación no está en la posición ON (encendido). 2. Se ha desconectado el cable de la bujía. 3. El tanque de combustible está vacío o el combustible es viejo. 4. El motor no está cebado. 5. La bujía no funciona correctamente. 6. La línea del combustible está bloqueada. 7. La llave de seguridad no se encuentra en el encendido del motor 	<ol style="list-style-type: none"> 1. Ponga la palanca de obturación en la posición ON (encendido). 2. Conecte el cable a la bujía. 3. Llene el tanque con gasolina limpia y fresca. 4. Ceba el motor tal y como se indica en "Operación de su máquina quitanieve". 5. Limpie, ajuste la distancia disruptiva o cambie. 6. Limpie la línea del combustible. 7. Inserte la llave totalmente dentro del interruptor
El motor funciona de manera errática	<ol style="list-style-type: none"> 1. La unidad está funcionando en la posición CHOKE (obturación). 2. La línea del combustible está tapada o el combustible es viejo. 3. Agua o suciedad en el sistema del combustible. 4. Es necesario ajustar el carburador. 	<ol style="list-style-type: none"> 1. Cambie la palanca de obturación a la posición OFF (apagado). 2. Limpie la línea del combustible; llene el tanque con gasolina limpia y fresca. 3. Vacíe el tanque del combustible. Vuelva a llenarlo con combustible limpio. 4. Contacte con un centro de partes y reparación Sears.
El motor recalienta	<ol style="list-style-type: none"> 1. El carburador no está ajustado correctamente. 	<ol style="list-style-type: none"> 1. Contacte con un centro de partes y servicio Sears.
Demasiada vibración	<ol style="list-style-type: none"> 1. Hay piezas que están flojas o la barrena está dañada. 	<ol style="list-style-type: none"> 1. Detenga el motor de inmediato y desconecte el cable de la bujía. Ajuste todos los pernos y las tuercas. Si la vibración continúa, lleve la unidad a reparar a un centro de partes y reparación Sears.
Pérdida de potencia	<ol style="list-style-type: none"> 1. El cable de la bujía está flojo. 2. El orificio de ventilación del tapón de llenado del combustible está obstruido. 3. El orificio de escape está obstruido. 	<ol style="list-style-type: none"> 1. Conecte y ajuste el cable de la bujía. 2. Retire el hielo y la nieve del tapón de llenado del combustible. Compruebe que el orificio de ventilación no esté obstruido. 3. Contacte con un centro de partes y reparación Sears.
La unidad no se autopropulsa	<ol style="list-style-type: none"> 1. El cable del control de transmisión necesita un ajuste. 2. La correa de transmisión está floja o dañada. 	<ol style="list-style-type: none"> 1. Ajuste el cable del control de transmisión. Consulte la sección de ajustes. 2. Reemplace la correa de la transmisión.
La unidad no descarga la nieve	<ol style="list-style-type: none"> 1. El montaje del canal está tapado. 2. Hay un objeto extraño en la barrena. 3. El cable del control de la barrena necesita un ajuste. 4. La correa de la barrena está floja o dañada. 5. El/los pasador/es de cuchilla están cortados. 	<ol style="list-style-type: none"> 1. Detenga el motor de inmediato y desconecte el cable de la bujía. Limpie el montaje del canal y el interior de la caja de la barrena con la herramienta de limpieza o una varilla. 2. Detenga el motor de inmediato y desconecte el cable de la bujía. Retire el objeto de la barrena con la herramienta de limpieza o una varilla. 3. Consulte la sección de servicio y ajustes. 4. Consulte la sección de servicio y ajustes. 5. Reemplace con nuevo(s) pasador(es) de cuchilla

NOTA: en esta sección se analizan problemas menores de servicio. Si desea más detalles comuníquese con la línea de información de servicio de Sears al 1-800-4-MY-HOME.

Get it fixed, at your home or ours!

Your Home

For repair – **in your home** – of **all** major brand appliances, lawn and garden equipment, or heating and cooling systems, **no matter who made it, no matter who sold it!**

For the replacement parts, accessories and owner's manuals that you need to do-it-yourself.

For Sears professional installation of home appliances and items like garage door openers and water heaters.

1-800-4-MY-HOME® (1-800-469-4663)

Call anytime, day or night (U.S.A. and Canada)

www.sears.com www.sears.ca

Our Home

For repair of carry-in items like vacuums, lawn equipment, and electronics, call or go on-line for the location of your nearest **Sears Parts & Repair Center.**

1-800-488-1222

Call anytime, day or night (U.S.A. only)

www.sears.com

To purchase a protection agreement (U.S.A.) or maintenance agreement (Canada) on a product serviced by Sears:

1-800-827-6655 (U.S.A.)

1-800-361-6665 (Canada)

Para pedir servicio de reparación a domicilio, y para ordenar piezas:

1-888-SU-HOGARSM

(1-888-784-6427)

Au Canada pour service en français:

1-800-LE-FOYER^{MC}

(1-800-533-6937)

www.sears.ca



Free Manuals Download Website

<http://myh66.com>

<http://usermanuals.us>

<http://www.somanuals.com>

<http://www.4manuals.cc>

<http://www.manual-lib.com>

<http://www.404manual.com>

<http://www.luxmanual.com>

<http://aubethermostatmanual.com>

Golf course search by state

<http://golfingnear.com>

Email search by domain

<http://emailbydomain.com>

Auto manuals search

<http://auto.somanuals.com>

TV manuals search

<http://tv.somanuals.com>