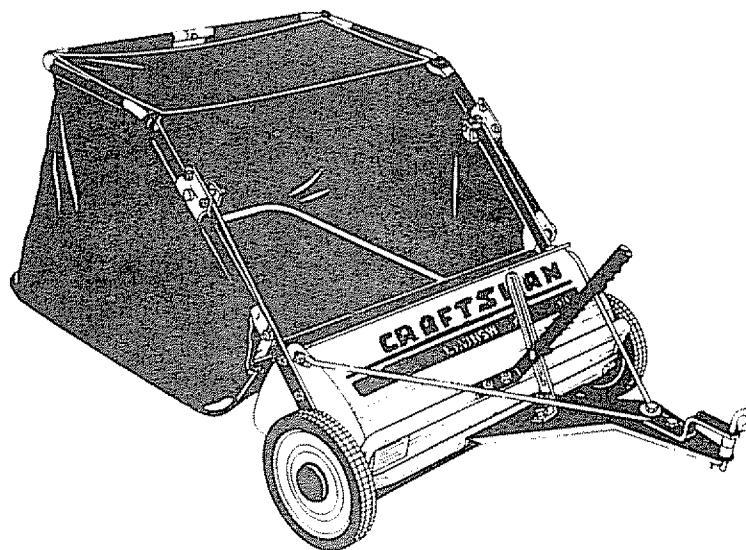


# SEARS

owners  
manual

Model No.  
486.241320



## 32" CRAFTSMAN LAWN SWEEPER

**CAUTION:**  
Read Rules for  
Safe Operation  
and Instructions  
Carefully

- **Assembly**
- **Operation**
- **Customer Responsibilities**
- **Repair Parts**

Sears, Roebuck and Co., Hoffman Estates, IL. 60179 U.S.A.

## RULES FOR SAFE OPERATION

The following safety precautions are suggested. This lawn sweeper is designed, engineered and tested to offer reasonably safe and effective service, provided it is operated in strict accordance with these instructions. Failure to do so may result in personal injury. Always observe the rules for safe operation.

1. Do not allow anyone to operate the sweeper without proper instructions.
2. Do not permit children to operate sweeper.
3. Do not push or tow sweeper too close to a fire, because the hopper and brush will burn.
4. Do not attempt to remove wire or string wrapped around brush while brush is rotating.
5. Operate sweeper at reduced speed on rough terrain, in ditches, and on hillsides to prevent tipping and loss of control. Stay alert for holes or other hidden hazards.
6. This sweeper is not meant for street or highway use. Watch for traffic when sweeping near roadways.
7. Keep all nuts, bolts and screws tight to be sure equipment is in safe working condition.
8. Vehicle and attachments should be stopped and inspected for damage after striking a foreign object and damage should be repaired before restarting and operating the equipment.
9. Follow maintenance instructions as outlined in this manual.

Your lawnsweeper carton and inner pack parts carton contains parts as shown in the figure below. The hardware package contains two separate packages, see figures 1 and 2 on page 3. Identify all parts and layout as shown in the figure below and figures 1 and 2.

### CARTON CONTENTS

#### Loose Parts in Carton

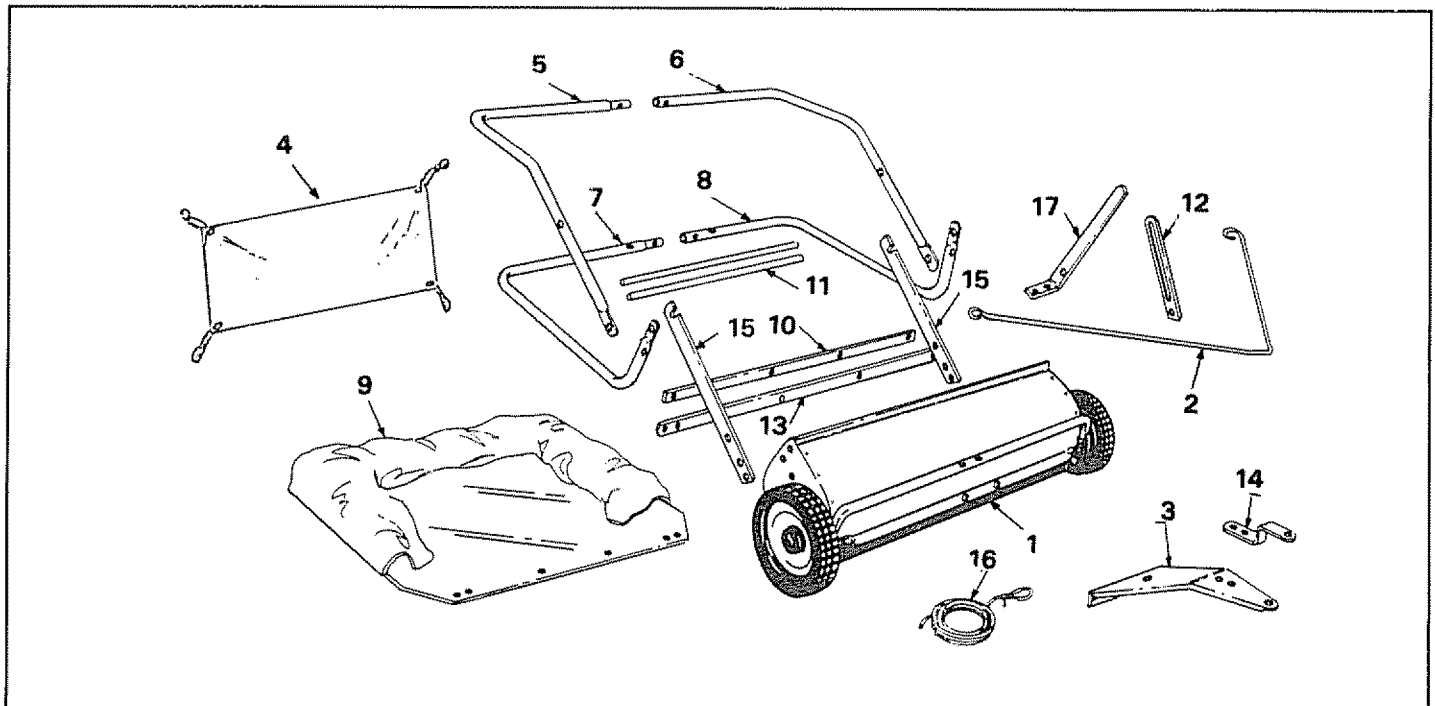
1. Sweeper Housing Assembly
2. Brace Rod
3. Hitch Tongue
4. Wind Screen
5. Upper Hopper Tube, Right Hand
6. Upper Hopper Tube, Left Hand
7. Lower Hopper Tube, Right Hand

8. Lower Hopper Tube, Left Hand
9. Hopper Bag

#### PARTS IN INNER PACK CARTON:

10. Bag Retainer Strap
11. Bag Support Rod (2) 3/16" Dia.
12. Height Adjustment Strap
13. Bag Frame Strap
14. Hitch Bracket
15. Hopper Mount Arms (2)
16. Rope
17. Height Adjustment Handle
18. Parts Package (Not Shown)

### CARTON CONTENTS



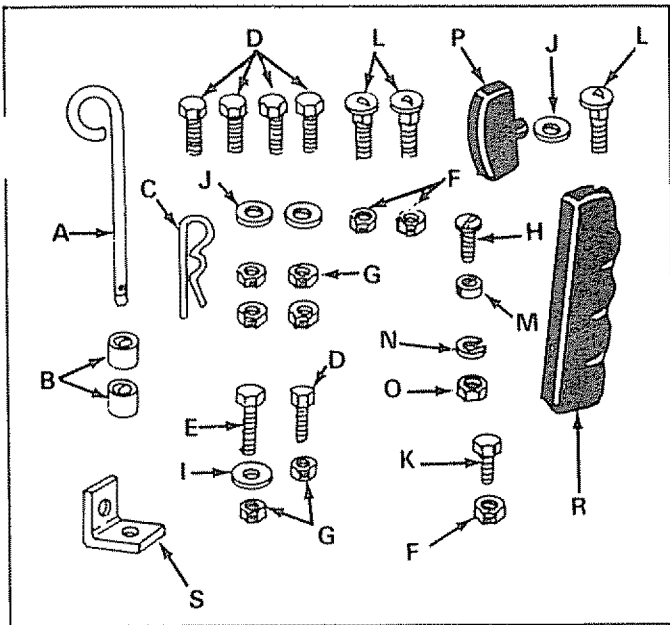


FIGURE 1

**CONTENTS OF HARDWARE PACK: (Figure 1).**

**Sweeper Housing Assembly**

- A (1) Hitch Pin
- B (2) Spacers 1" Dia. x 3/4" Long
- C (1) Hairpin Cotter
- D (5) Hex Bolts 3/8"-16 x 3/4" Long
- E (1) Hex Bolts 3/8-16 x 1-1/2" Long
- F (3) Hex Lock Nuts 5/16-18 Thread
- G (6) Hex Lock Nuts 3/8-16 Thread
- H (1) Slot Head Bolt 5/16-18 x 3/4" Long
- I (1) Flat Washer 17/32" x 1-1/2" x 10 Ga
- J (3) Flat Washer 5/16" I.D.
- K (1) Hex Bolt 5/16-18 x 3/4" Long
- L (3) Carriage Bolt 5/16-18 x 3/4" Long
- M (1) Spacer 13/32 I.D. x 5/8" O.D. x 3/16" Thk.
- N (1) Lock Washer 5/16" I.D.
- O (1) Hex Nut 5/16-18 Thread
- P (1) Hand Knob
- R (1) Grip
- S (1) Angle Bracket

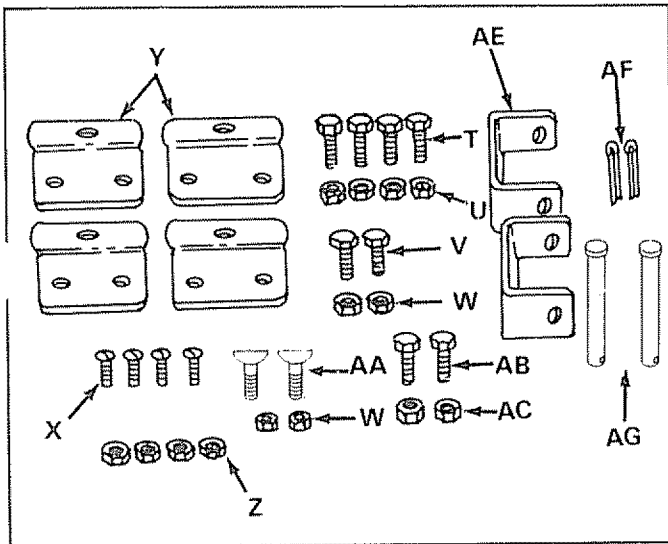
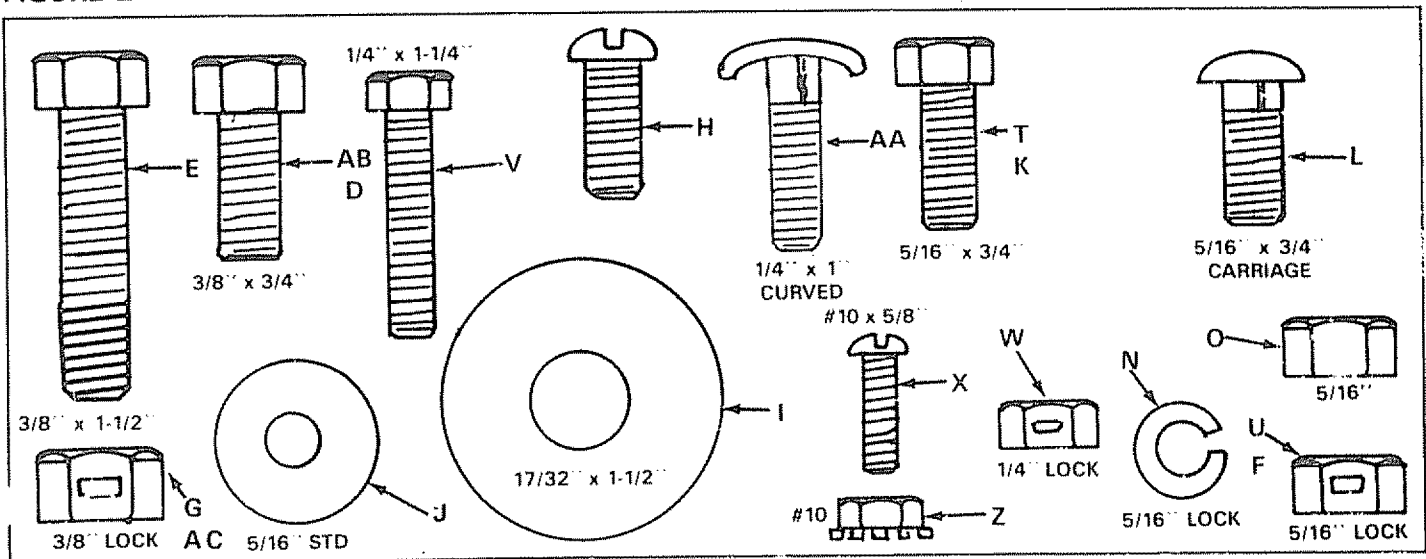


FIGURE 2

**CONTENTS OF HARDWARE PACK: (Figure 2).**

**Hopper Bag Assembly**

- T (4) Hex Bolts 5/16-18 x 3/4" Long
- U (4) Hex Lock Nuts 5/16-18 Thread
- V (2) Hex Bolts 1/4-20 x 1-1/4" Long
- W (4) Hex Lock Nuts 1/4-20 Thread
- X (4) Truss (Slotted) Head Screws #10-32 x 5/8" Long
- Y (4) Hopper Mounting Clamps
- Z (4) Hex Lock Nuts #10-32 Thread
- AA (2) Curved Head Bolts 1/4-20 x 1" Long
- AB (2) Hex Bolts 3/8-16 x 3/4" Long
- AC (2) Hex Lock Nuts 3/8-16 Thread
- AE (2) Bag Retainer Clevises
- AF (2) Cotter Pins 1/8" x 3/4" Long
- AG (2) Clevis Pins 3/8" x 3" Long



FULL SIZE HARDWARE REFERENCE CHART

# ASSEMBLY INSTRUCTIONS

## TOOLS REQUIRED

- (1) Adjustable Wrench
- (1) 3/8" Open End or Box Wrench
- (1) 7/16" Open End or Box Wrench
- (1) 1/2" Open End or Box Wrench
- (1) 9/16" Open End or Box Wrench
- (1) Standard Screwdriver
- (1) Pair of Pliers

Refer to carton contents figure on page 2 and figure 1 on page 3 for parts and hardware needed to assemble sweeper housing.

1. Remove two 5/16" hex lock nuts and 5/16" flat washers from the middle of the sweeper housing. Assemble the hitch tongue to the sweeper housing using two 5/16" x 1-1/2" carriage bolts with the heads on the inside of the housing. Secure with the two 5/16" hex lock nuts and flat washers removed above. See figure 3. **Do Not Tighten At This Time.**

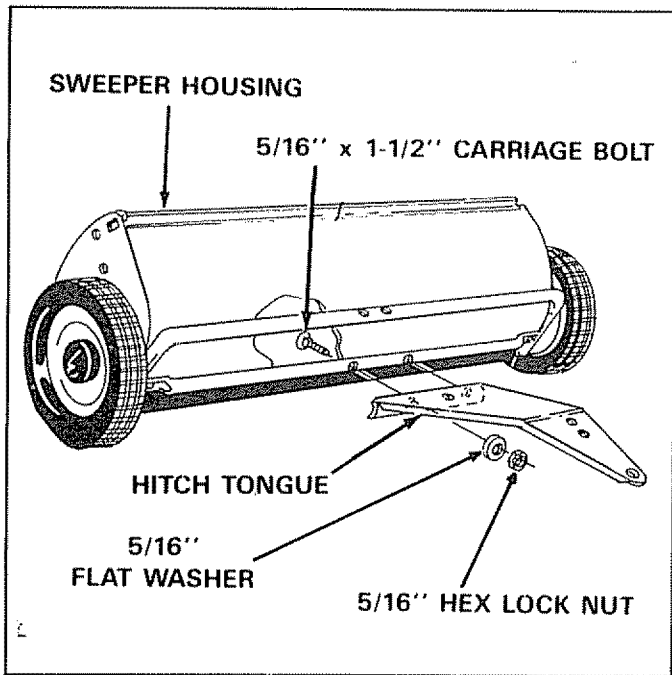


FIGURE 3

2. Attach the brace rod to the square hole in the sweeper housing, using two 5/16" x 3/4" carriage bolts (assembled with the heads on the inside of housing). Two 5/16" flat washers and 5/16" hex lock nuts are assembled outside as shown. See figures 4 and 5. **Do Not Tighten At This Time.**

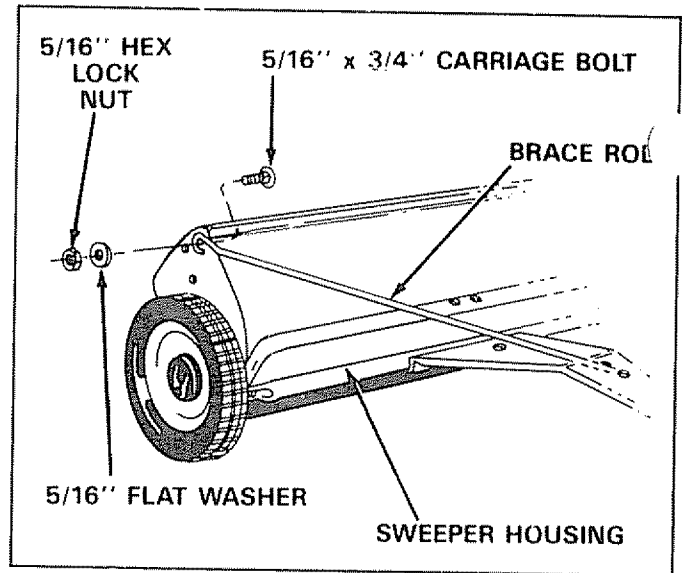


FIGURE 4



**Before assembling the hitch bracket to the hitch tongue, refer to figure 5 and page 11 to determine which position is required for your towing vehicle.**

3. Assemble the hitch bracket to the hitch tongue using 3/8" x 3/4" hex bolt (in front hole) and 3/8" hex lock nut. See figure 5. Assemble the brace rod over the back hole in hitch bracket and secure with large flat washer, 3/8" x 1-1/2" hex bolt and 3/8" hex lock nut. See figure 5. **Do not tighten at this time.**

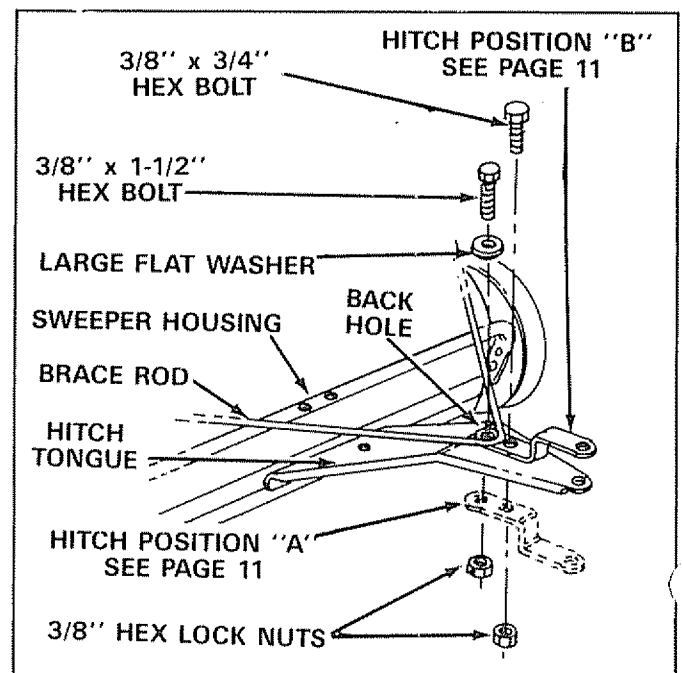


FIGURE 5

4. Tighten (do not overtighten) the two bolts assembled in step 1, making sure the brace rod is pulled tight under the large flatwasher and against back bolt of hitch bracket. See figures 3, 4 and 5. Now tighten all other bolts assembled in steps 2 and 3.
5. Remove two 5/16" hex nuts and 5/16" curved washers from the height adjustment tube. Assemble the height adjustment handle to the height adjustment tube using the two curved head bolts through the height adjustment tube. Push handle to left and secure tightly with two 5/16" curved washers and two 5/16" hex nuts. See figure 6.
6. Assemble the grip, with finger knobs as shown, to the height adjustment handle. See figure 6.

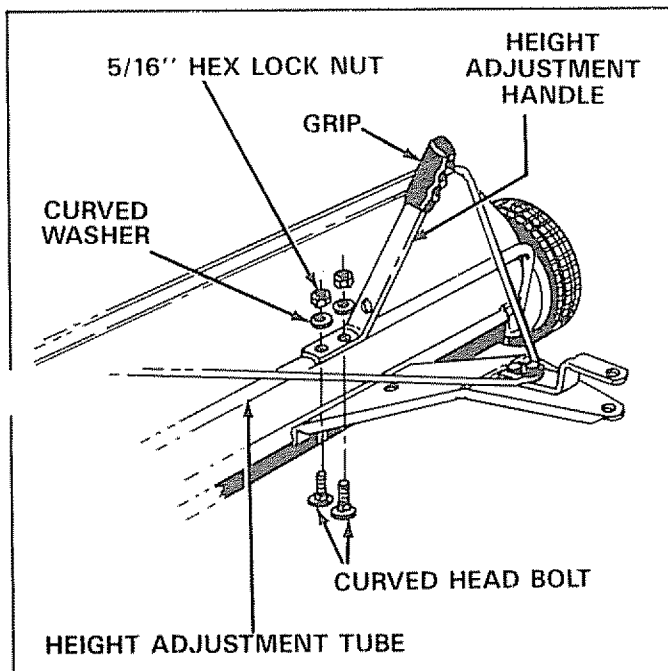


FIGURE 6

7. Assemble the angle bracket to the hitch tongue with long leg up using one 5/16" x 3/4" bolt. Secure tightly with one 5/16" hex lock nut. See figure 7.
8. Assemble the height adjustment strap (hole end) to the angle bracket. See figure 7. Place spacer over end of 5/16" x 3/4" slot head bolt and into large hole on strap. Assemble threaded end of slot head bolt through hole in the angle bracket and secure with 5/16" lock washer and 5/16" hex nut. See figure 7.
9. Assemble other end of height adjustment strap to height adjustment handle. See figure 7. Place slot on strap in line with square hole in height adjustment handle. Secure strap with 5/16" x 3/4" carriage bolt, 5/16" flat washer and hand knob. See figure 7.

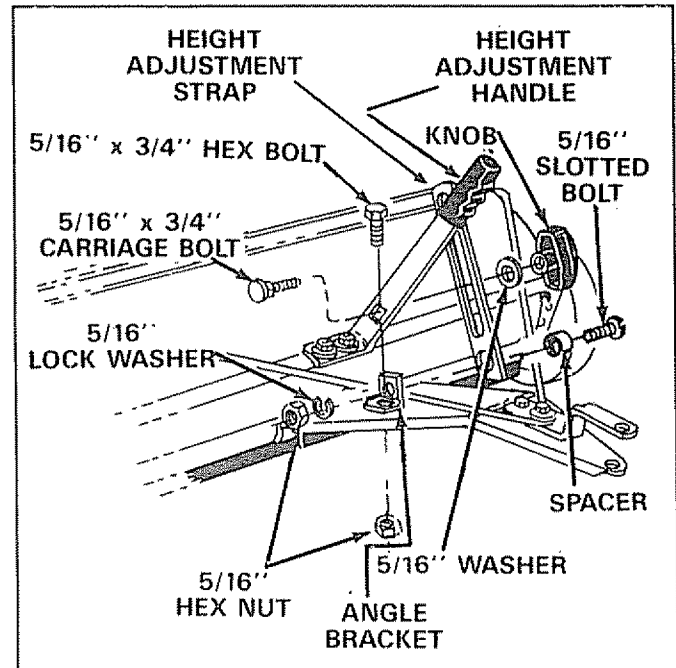


FIGURE 7

10. Assemble the two bag mount arms to the outside of the sweeper housing using four 3/8" x 3/4" hex bolts and 3/8" hex lock nuts. Use bottom hole of dual position holes in sweeper housing to install bag mount arm. THE NOTCHED SIDE OF MOUNT ARMS FACE UPWARD AND MOUNT ON THE OUTSIDE OF HOUSING. See figure 8.

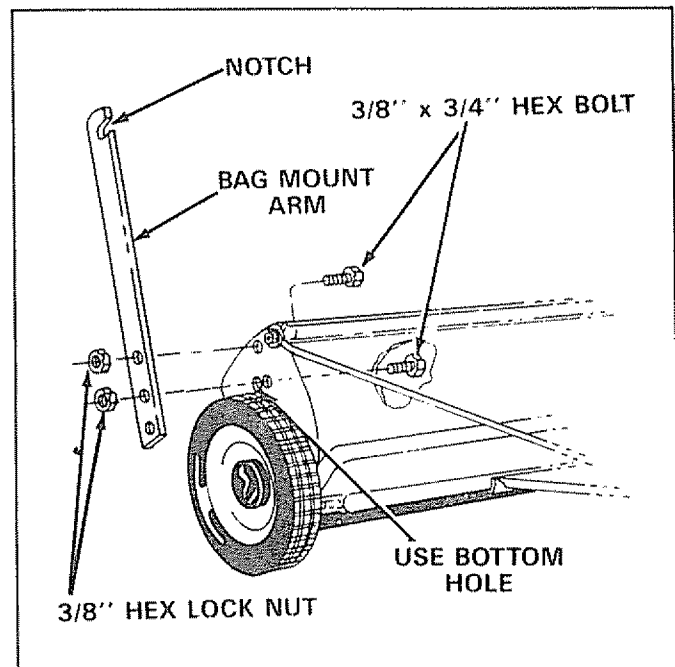


FIGURE 8

11. Assemble the hitch pin, two 1" dia. x 3/4" long spacers and hair pin cotter to hitch bracket and hitch tongue as shown in figure 9.

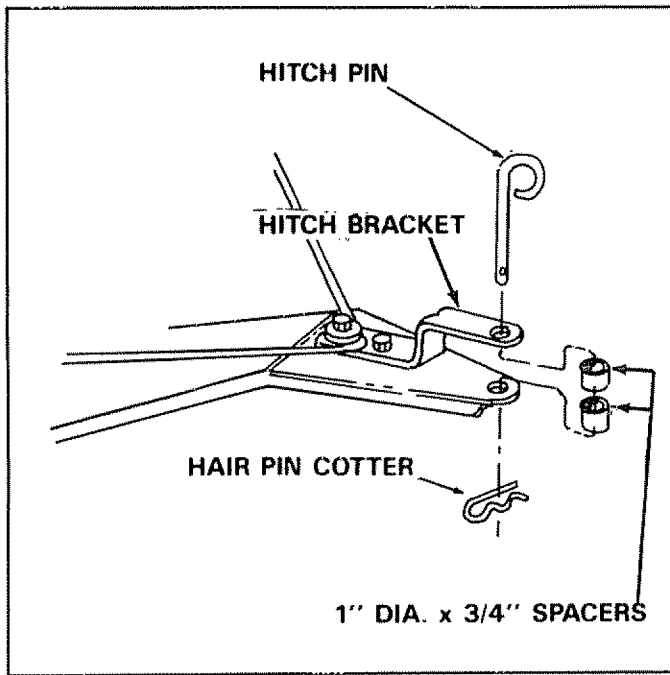


FIGURE 9

## ASSEMBLY OF HOPPER BAG

Refer to carton contents figure on page 2 and figure 2 on page 3 for hardware needed to assemble hopper bag. See page 2 to identify both upper and lower hopper tubes.

1. Insert the left hand upper hopper tube through the hopper bag stitched flaps, starting at the center cut out in the top of the hopper bag. See figures 10, 11 and 12. Repeat for the right hand upper hopper tube.

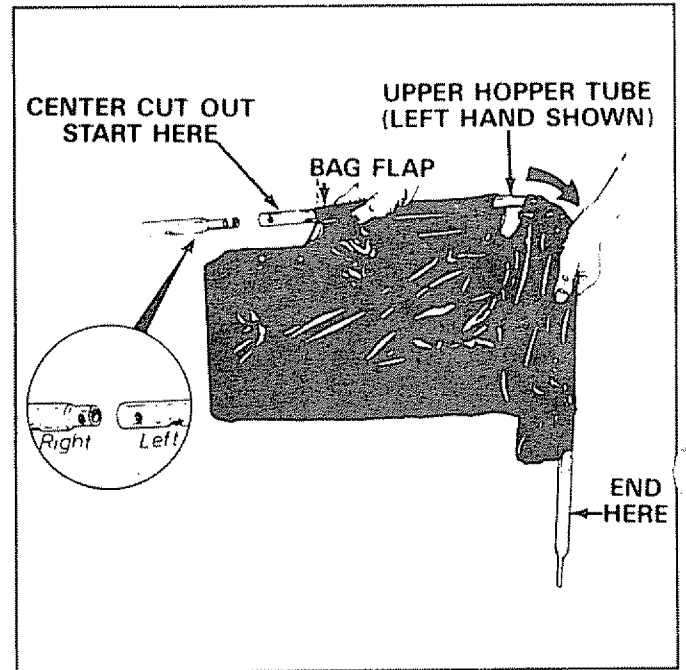


FIGURE 10

2. Locate the hole on side of both upper hopper tubes. See figure 11. The bag will require piercing at these holes in a later step. Refer to step 12 on page 8.

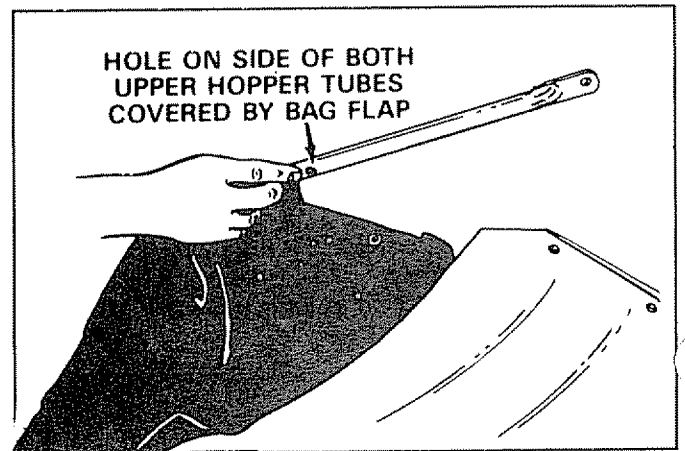


FIGURE 11

- Slide the two upper tubes together, as shown in figure 12. Line up the center holes.

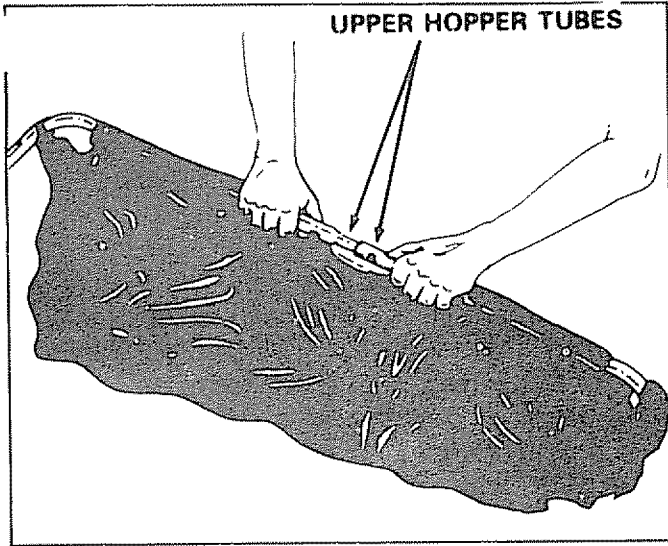


FIGURE 12

- Secure the upper hopper tubes with 1/4" x 1" curved head bolt and 1/4" hex lock nut. See figure 13.

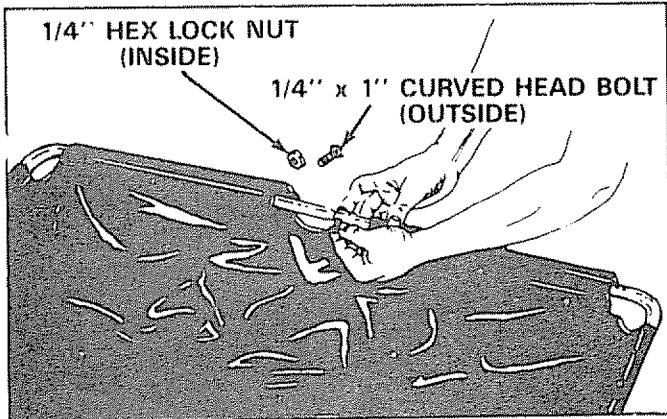


FIGURE 13

- Assemble the two lower hopper tubes as shown in figure 14. Secure with 1/4" x 1" curved head bolt and 1/4" hex lock nut. See figure 14.

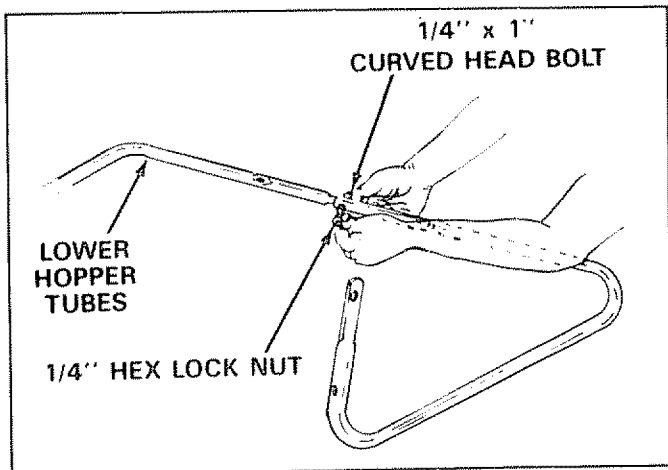


FIGURE 14

- Place assembled lower hopper tubes into bottom of hopper bag. See figure 15.
- Assemble the upper and lower hopper tube ends together with two 3/8" x 3/4" hex bolts (inside) and 3/8" hex lock nuts (outside). See figure 15. Do not overtighten to allow for pivot.

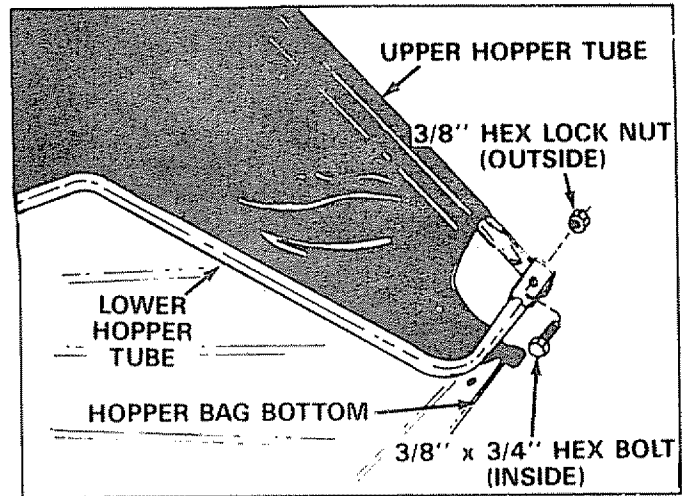


FIGURE 15

- Assemble the bag frame strap (bottom) and bag retainer (top) to the front edge of bag bottom. Place the bag retainer on top and frame strap on bottom. Secure with four #10 x 5/8" slotted screws, and #10-32 hex lock nuts. See figure 16.

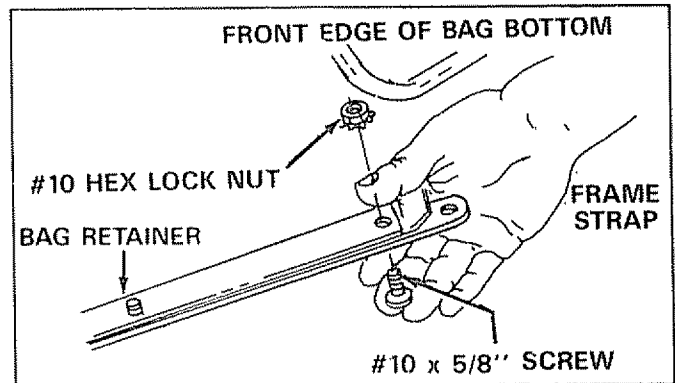


FIGURE 16

- Assemble the frame strap to the lower hopper frame. Secure with 1/4" x 1-1/4" hex bolts and 1/4" lock nuts. See figure 17.

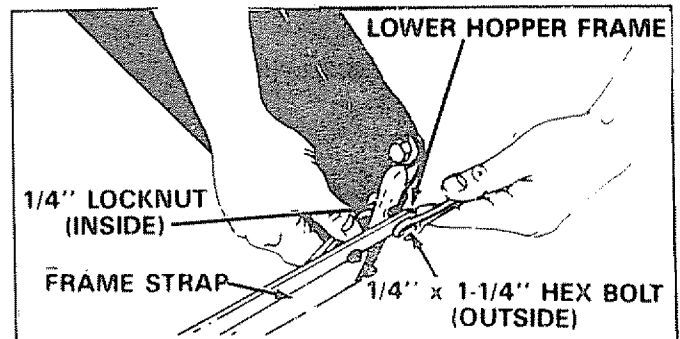


FIGURE 17

10. Secure the bag corners over lower hopper tube by snapping the flap to bag bottom on each side. See figure 18.

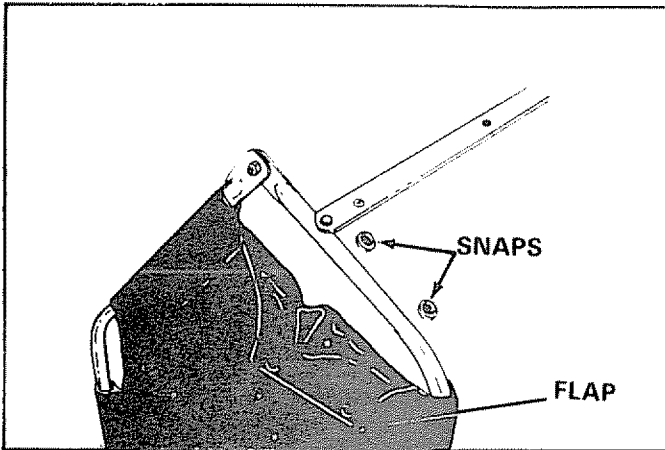


FIGURE 18

11. Assemble the two hopper support rods as shown in figures 19 and 20. Place top end of rod into hole in upper tube and bend rod outwards and snap bottom end of rod into hole in bottom tube. **NOTE: Rods are spring steel and require bending or bowing as shown. Do not over bend and lose bag support tension.**

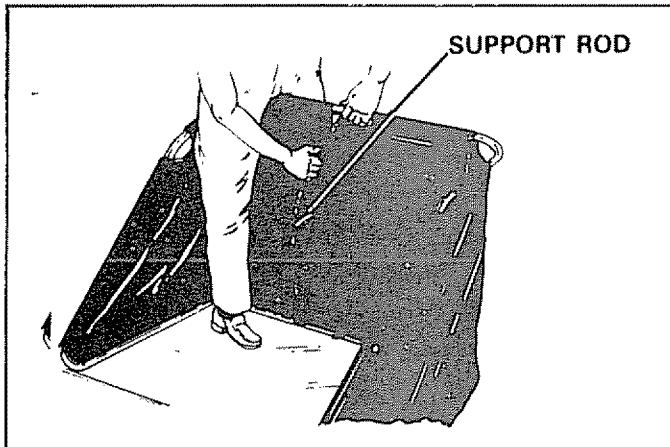


FIGURE 19

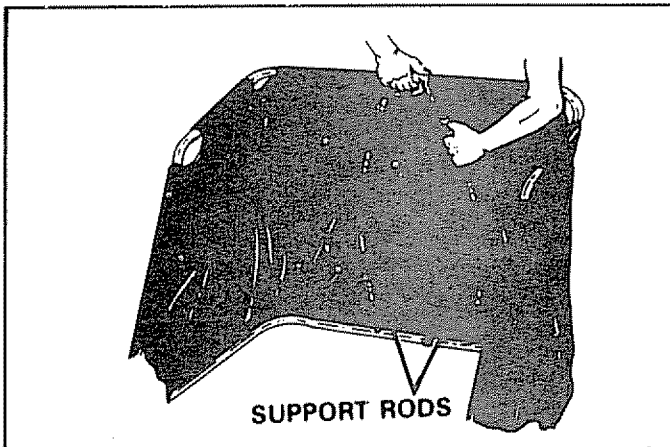


FIGURE 20

12. Locate hole along side of upper hopper tubes and pierce a hole through the bag aligned with the hole in the tube. See figure 21.

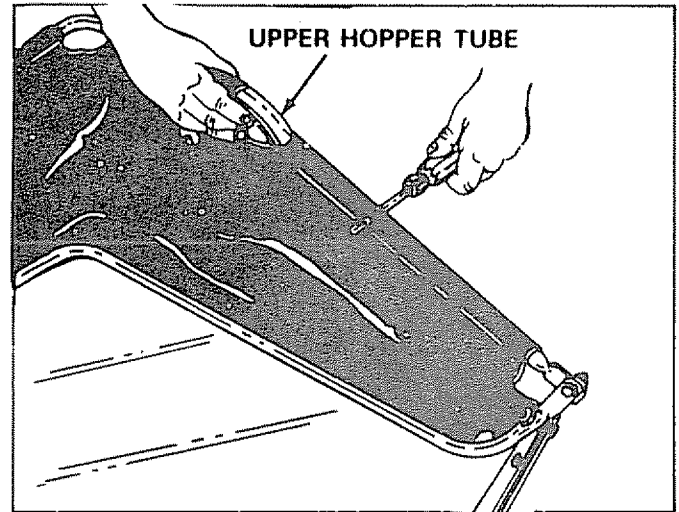


FIGURE 21

13. Assemble mount clamps to each side of upper hopper tube. Place one clevis pin through clamps, hopper bag and hopper tube, then secure clamps together with two 5/16" x 3/4" hex bolts and 5/16" lock nuts. See figure 22. Tighten securely.

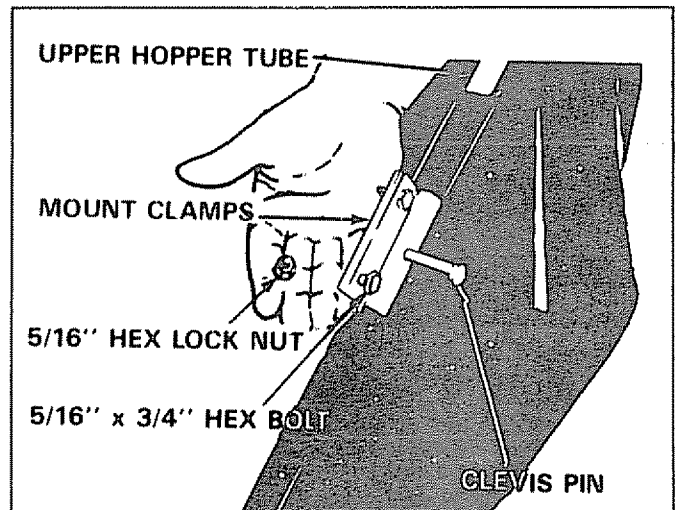


FIGURE 22

14. Repeat step 13 for other side
15. Assemble the bag retainers to clevis pins. Secure with cotter pins. See figure 23. Wrap cotter pin around clevis pin as shown in figure 23.



Bag retainers must pivot freely.



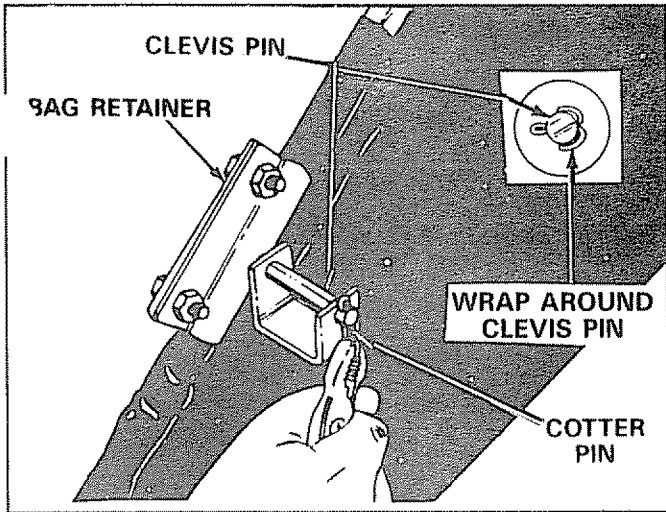


FIGURE 23

16. Secure the rope to the top center of hopper bag frame as shown in figures 24, and 25

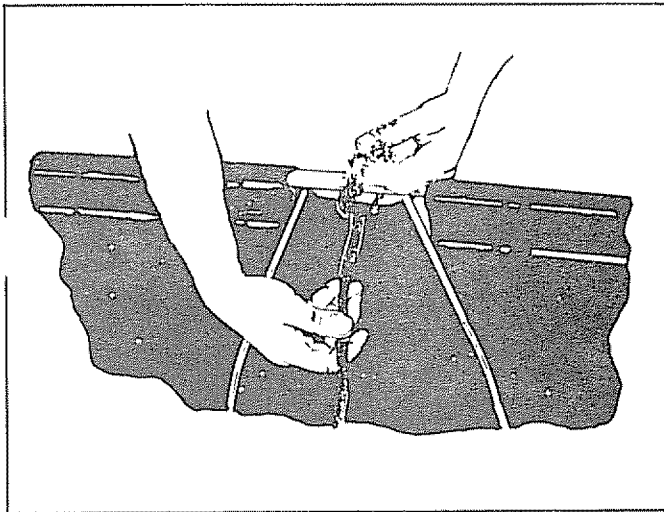


FIGURE 24

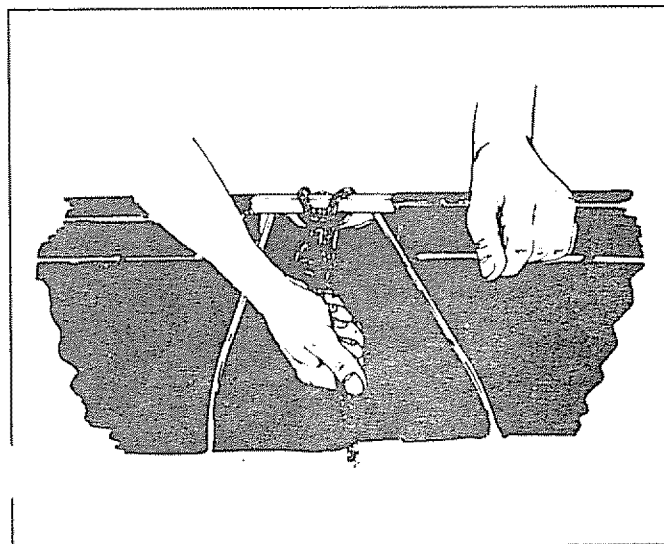


FIGURE 25

17. Assemble the wind screen to upper hopper tube. Pull the four corner loops and snap. See figures 26 and 27. Double wrap back loops around tube for tight fit.

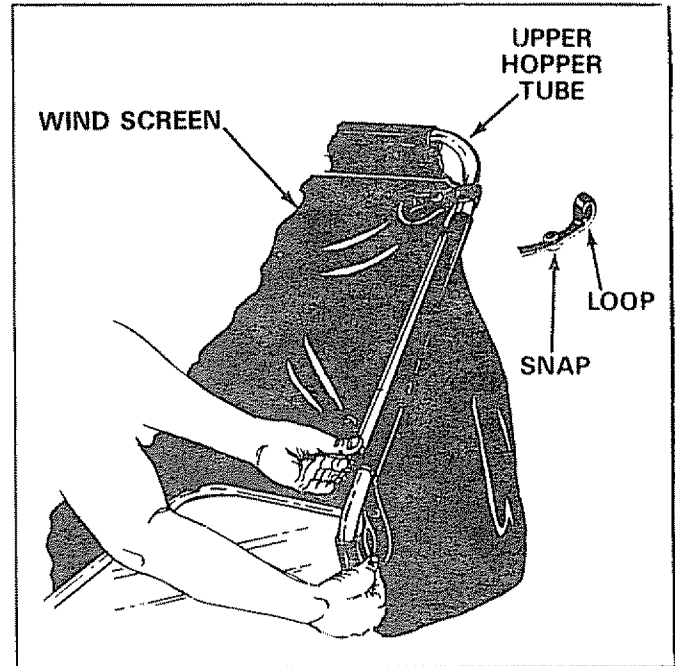


FIGURE 26

18. To assemble the hopper bag frame to the sweeper, simply hook the clevis pins into the notches in mount arms. Bag retainers must pivot freely to lock in position. See figure 27.

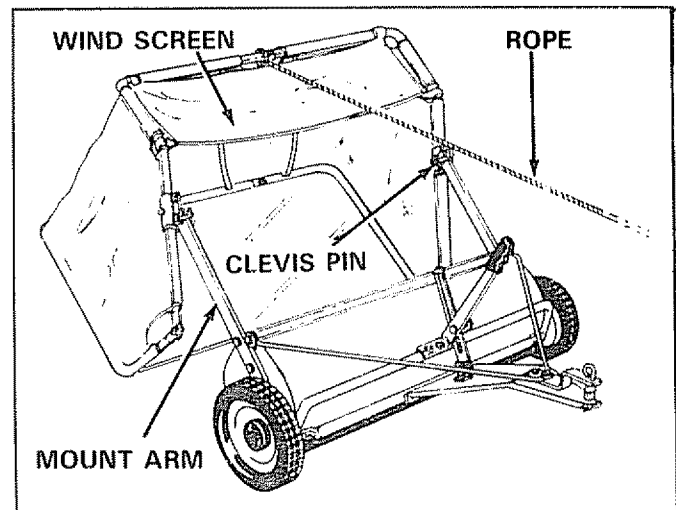


FIGURE 27

19. To remove the hopper bag frame from the sweeper, simply flip the bag retainers upward and remove the bag. See figure 28.

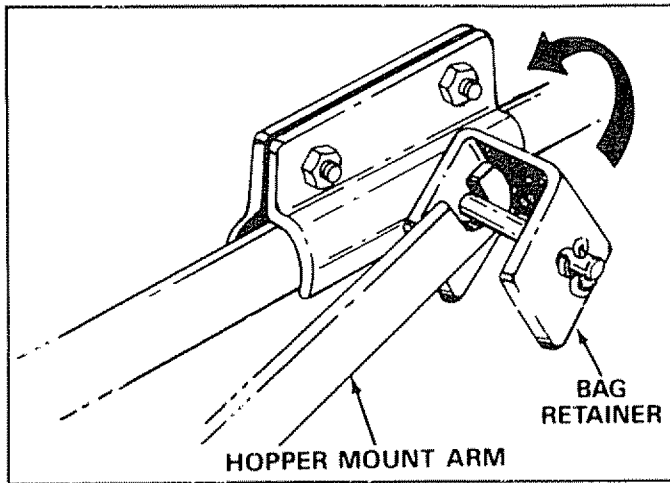


FIGURE 28.



# IMPORTANT

TO ASSURE BEST PERFORMANCE OF YOUR NEW SWEEPER, THE FOLLOWING INSTRUCTIONS MUST BE READ CAREFULLY. SEE FIGURE 29. YOU MUST SET UP SWEEPER TO THE TOWING VEHICLE, SO BOTTOM OF BAG FRAME IS APPROXIMATELY LEVEL ON FLAT SURFACE, SUCH AS DRIVE OR WALK. THIS SHOULD KEEP BAG OFF THE GROUND APPROXIMATELY 3" TO 4" LAWN TRACTORS IN TODAY'S MARKET VARY IN HEIGHT FROM GROUND TO HITCH APPROXIMATELY 8" TO 13". TO OBTAIN THE CORRECT SWEEPER BAG LEVEL, SEE FIGURE 29. EIGHT SPACER POSITIONS ARE AVAILABLE. SEE GROUPS A AND B.

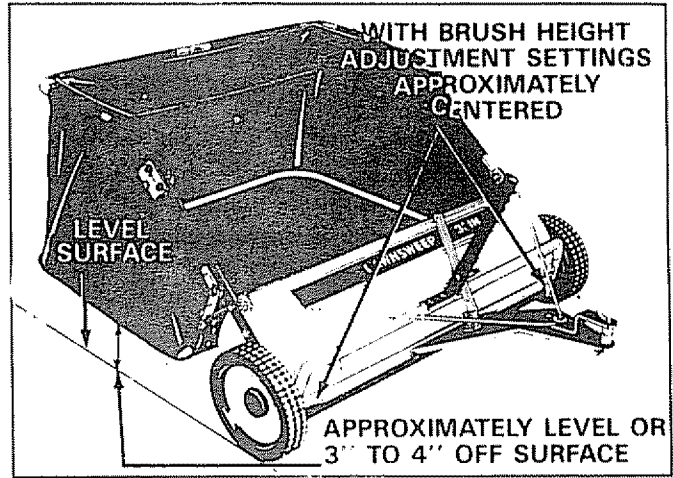
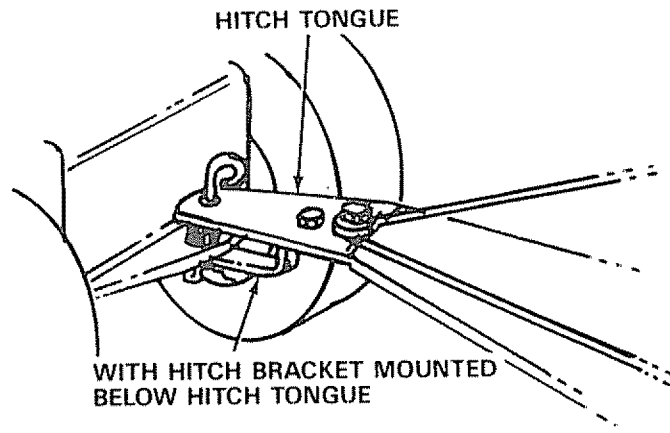
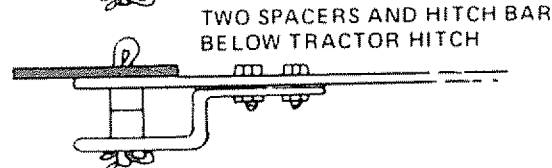
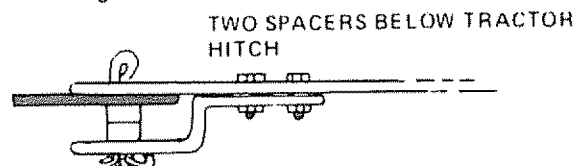
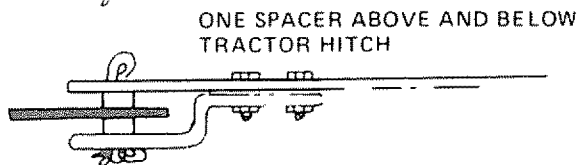
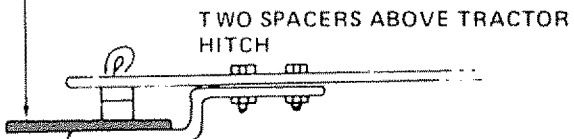


FIGURE 29

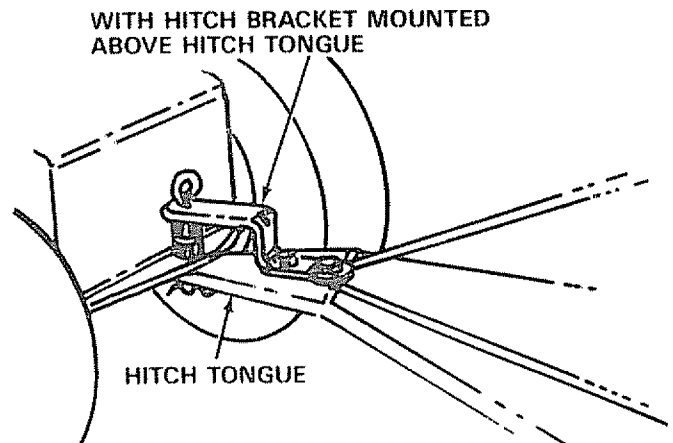
**GROUP "A"** - For riding mowers with 8" to 10-1/2" ground clearance to hitch.



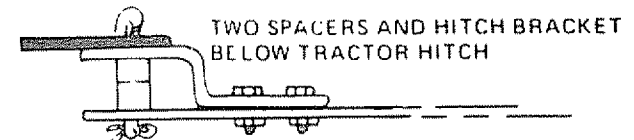
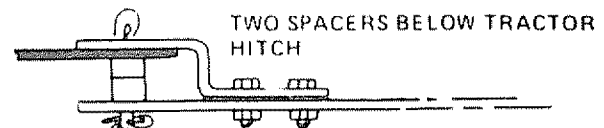
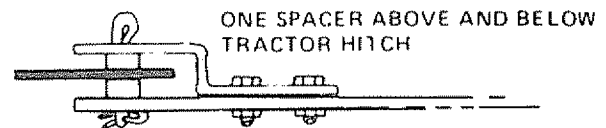
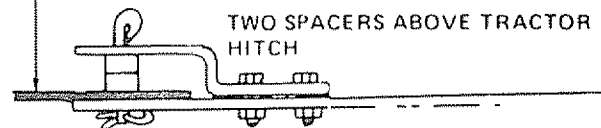
BLACK LINE IS TRACTOR HITCH



**GROUP "B"** - For tractors with 10-1/2" to 13" ground clearance to hitch.



BLACK LINE IS TRACTOR HITCH



## OPERATION

Your sweeper is a precision piece of equipment. Engineering skill and experience have been combined to provide reasonable safety and efficiency. However, as with any type of mechanical equipment, carelessness or error on the part of the operator can result in damage to your equipment. Therefore, exercise care at all times and do not subject your sweeper to misuse.

### SWEEPING SPEED

Try sweeping at different speeds to find the one most suited to your conditions for maximum hopper bag fill.

### BRUSH HEIGHT ADJUSTMENT

To adjust your sweeper brushes to the best operating height, loosen the adjustment knob and push down on height adjustment lever to raise the brush. See figure 30. Best adjustment is when brush setting is 1/2" down into grass. Always mow the grass to an even height before sweeping.

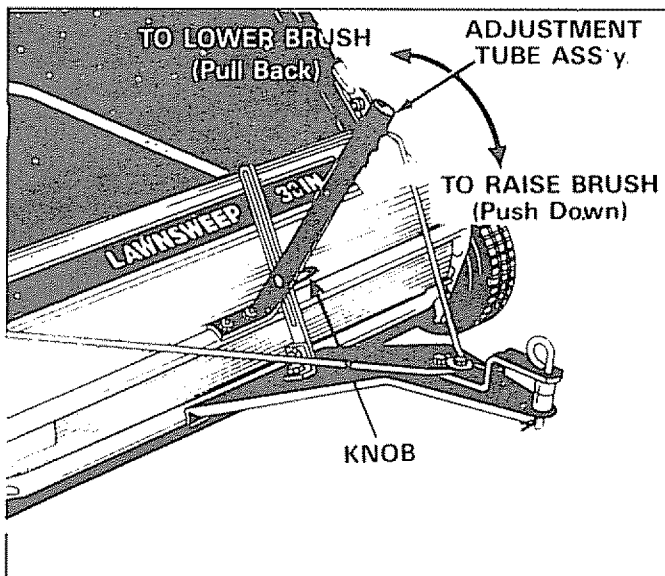


FIGURE 30

### DUMPING OF SWEEPER

Your sweeper can be dumped easily without getting off of the rider or tractor. Simply pull rope forward to dump. See figure 31. **SEE CAUTION NOTE A AND B.**

Always dump hopper after each use. Damp or wet grass and leaves will cause damage to hopper if stored for long period of time.



### CAUTION

- A. **Do Not** fasten rope to pulling vehicle where it might become entangled with driving wheels or rotating parts.

- B. **Do Not** drive or dump the sweeper too close to a fire as the brushes and bag can be destroyed by excessive heat or flame.

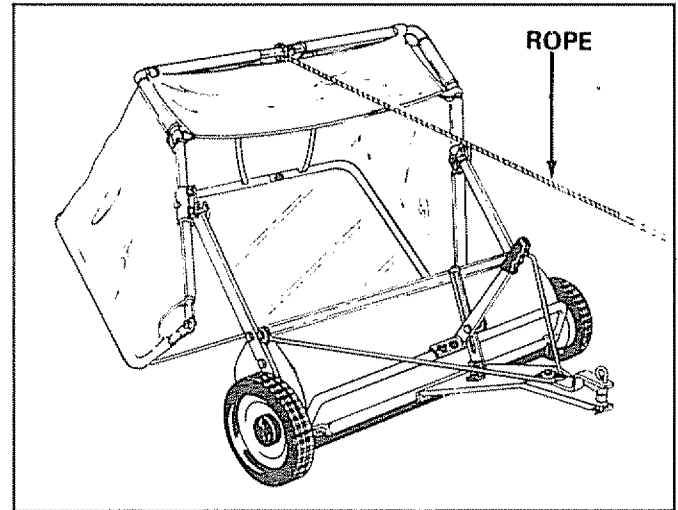


FIGURE 31

## STORAGE

The bag may be collapsed for storage. Remove the two support rods and fold bag down.

## LUBRICATION/CUSTOMER RESPONSIBILITIES

The bearings in the sweeper have been prelubricated at the factory; however it is recommended that a few drops of light oil should be added to the brush shaft bearings twice a year. Also, the wheels should be removed to clean gears every two years. After cleaning apply an even coat of light grease. See figures 32, 33 and 34.



To remove the wheel just pop off hub cap with a screwdriver and remove retaining ("E") ring and flat washer. See figure 32.

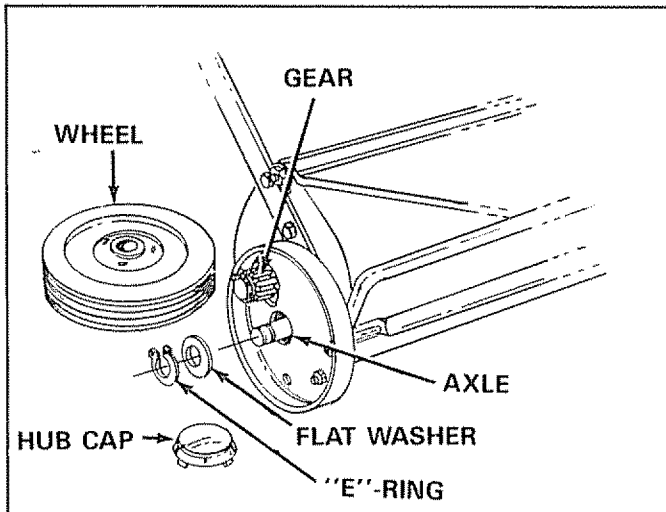


FIGURE 32

## WHEEL GEARS/PAWL SERVICE

1. To service wheel gears, **Do Not Remove both wheels at the same time.** Remove one wheel at a time to prevent use of left hand parts on right hand side. **When removing gears make notes on position of all washers and retaining rings.**
2. The pawl, inside ratchet gear, has a curved end side and a flat end (side). See figure 33. When re-assembling ratchet gear and pawl, fill the inside with grease. Re-assemble the wheel and turn wheel, if the brushes drive (rotate) in both directions, the pawl is assembled **incorrectly**, remove and flip pawl over. If the brushes drive (rotate) in one direction the pawl is assembled correctly.

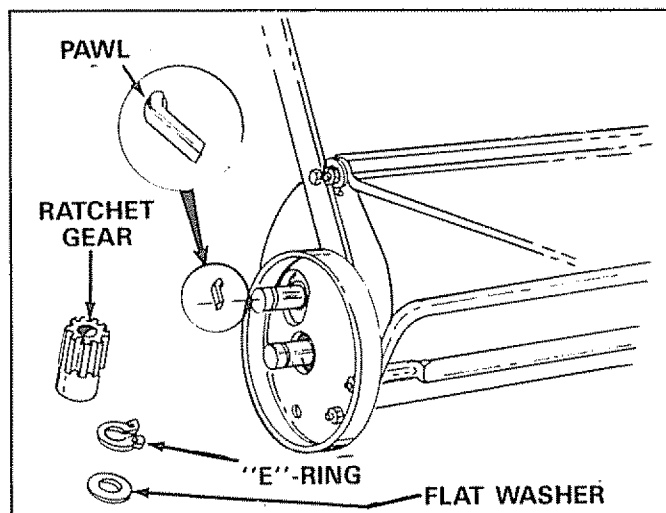


FIGURE 33

## BRUSH REPLACEMENT

1. Remove the hopper bag from lawnsweeper.
2. Brush replacement should be done one brush at a time.
3. Tip the sweeper back on housing for ease of brush replacement. **Do not remove hex bolts from double brush retainers through brush shaft.**
4. Loosen hex bolts and hex lock nuts from single brush retainers. See figure 34. **Slide brush out of retainers making note of over-lap bristles position.**
5. Install new brush, **making sure over-lap bristles are positioned the same as before and as shown in figure 34 (end view of brush).**

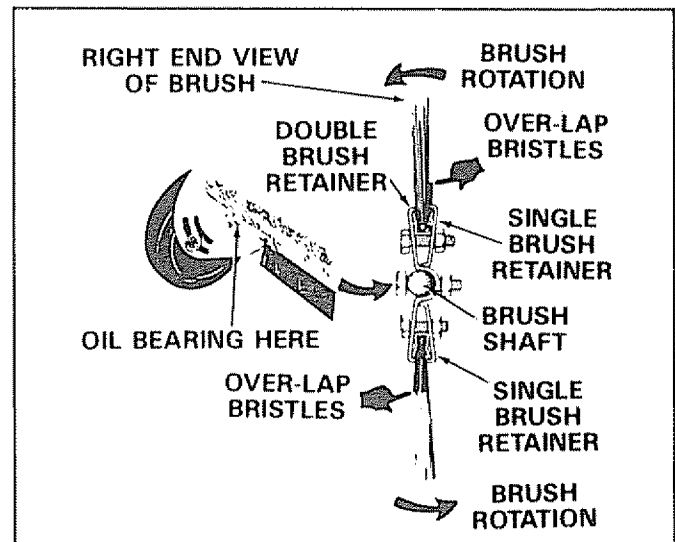


FIGURE 34



**REPAIR PARTS LIST FOR MODEL 486.241320 32" PULL LAWN SWEEPER**

REF. NO.	PART NO.	QTY.	DESCRIPTION	REF. NO.	PART NO.	QTY.	DESCRIPTION
1	43903	4	Brush	48	23812	2	Bag Mount Arm
2	43886	1	Pinion Gear — R.H.	49	23351	1	Bag Frame Strap
3	43885	1	Pinion Gear — L.H.	50	43926	2	Hopper Support Rod
4	44951	1	Skirt	51	1671-1	2	Pawl (H.T.)
5	43720	1	Height Adjustment Knob	52	43346	4	Truss Hd. Slotted Scr. #10-32 x 5/8" Lg.
6	23851	1	Height Adjustment Strap				
7	44964	1	Brace Rod	53	43662	4	Hex Lock Nut #10-32 Thd.*
8	43928	1	Upper Hopper Tube-R.H.	54	R19131316	6	Fl.-Washer 3/8" S.A.E.
9	43927	1	Upper Hopper Tube - L.H.	55	43064	4	Hex Lock Nut 5/16-18 Thd.
10	43930	1	Lower Hopper Tube - R.H.	56	43182	4	Hex Bolt 5/16-18 x 3/4" Lg.*
11	43929	1	Lower Hopper Tube-L.H.	57	43013	2	Hex Lock Nut 1/4-20 Thd.
12	43956	1	Hopper Bag	58	43513	2	Clevis Pin 3/8" Dia. x 3" Lg.
13	C-9M5732	8	Pop Rivet	59	43407	2	Hex Bolt 3/8-16 x 3/4" Lg.*
14	43659	2	Spring Pin 3/16" x 1"				
15	1650-21	4	Retaining Ring .594 I.D.	60	43082	8	Hex Lock Nut 3/8-16 Thd.
16	44007	6	Fl.-Washer (Shim) .596 x 1.125 x .025	61	1509-90	2	Hex Bolt 1/4-20 x 1-1/4" Lg.*
17	741-0249	2	Flange Bearing	62	0142-000	2	Cotter Pin 1/8" Dia. x 3/4" Lg.*
18	43064	9	Hex Lock Nut 5/16-18 Thd.				
19	716-0106	2	"E"-Ring 5/8"	63	43978	2	Curved Hd. Bolt 1/4-20 x 1" Lg.
20	44125	4	Fl.-Washer .62 I.D. x 1.00" O.D.	64	23331	4	Hopper Mount Clamp
21	43081	5	Washer 5/16" Std.	65	23868	1	Hitch Tongue
22	44598	2	Axle	66	23354	2	Bag Retainer Clevis
23	44684	2	Jam Nut 3/8-24 Thd.	67	43681	2	Carriage Bolt 5/16-18" x 1-1/2
24	43661	4	Hex Bolt 1/4-20 x 1" Lg.				
25	43013	16	Hex Lock Nut 1/4-20 Thd.	68	43062	1	Hex Bolt 3/8-16 x 1-1/2" Lg.*
26	1038	4	Hex Lock Nut 3/8-24 Thd.	69	23850	1	Height Adj. Handle
27	44906	1	Height Adj. Tube	70	R19172410	1	Fl.-Washer 17/32 x 1-1/2"
28	43083	3	Hex Nut 5/16-18 Thd.	71	43814	1	Sl. Truss Hd. Bolt 5/16-18 x 3/4
29	43080	3	Carriage Bolt 5/16-18 x 3/4" Lg.*	72	44950	2	Carriage Bolt 1/4-20 x 3/4"
30	23400	1	Bushing Spacer	73	43407	5	Hex Bolt 3/8-16 x 3/4" Lg. (Gr. 5)
31	43957	1	Windscreen				
32	44909	2	Brush Shaft Bushing	74	43175	2	Hex Bolt 1/4-20 x 1/2" (Gr. 5)
33	23853	1	Rear Support Brace				
34	23848	1	Wrapper	75	43343	1	Hairpin Cotter 5/32
35	23867	2	Dust Cover	76	23353	1	Hitch Pin
36	43012	8	Hex Bolt 1/4-20 x 3/4" Lg. (Gr. 5)	77	23368	2	Hitch Adjustment Tubes
37	44947	1	Curved Hd. Bolt 5/16-18 x 1-5/8"	78	43737	1	Hopper Rope
				79	44006	2	Washer, Flat .596 x .859 x .025
38	23869	1	Angle Bracket	80	43013	2	Hex Lock Nut 1/4-20 Thd.*
39	23871	1	Brush Shaft	81	1540-31	2	Flat Washer, .78 I.D.
40	23580	4	Brush Retainer (Double)	82	44692	4	Hex Bolt 5/16-18 x 1/2" Lg.
41	23581	8	Brush Retainer (Single)				
42	44933	2	Wheel Ass'y. Comp	83	23845	1	End Plate L.H.
43	23345	1	Skirt Retainer	84	23846	1	End Plate R.H.
44	43086	1	Lockwasher 5/16" I.D.	85	44903	1	Hitch Tube
45	43943	1	Grip	86	44695	1	Bowed Washer
46	2674-32	2	Hub Cap		44958	1	Owners Manual
47	23014	1	Hitch Bracket				

\*Common hardware may be purchased locally.

# SEARS

## owners manual

**Model No.  
486.241320**

**How to Order  
Repair Parts**

## 32" CRAFTSMAN LAWNSWEEPER

Always mention the Model Number when requesting service or repair parts for your Lawnsweeper

All parts listed herein may be ordered from any Sears Service Center and most Sears stores

WHEN ORDERING REPAIR PARTS, ALWAYS GIVE THE FOLLOWING INFORMATION:

- THE PART NUMBER
- THE PART DESCRIPTION
- THE MODEL NUMBER
- THE NAME OF MERCHANDISE

If the parts you need are not stocked locally, your order will be electronically transmitted to a Sears Repair Parts Distribution Center for handling

### LIMITED ONE YEAR WARRANTY ON CRAFTSMAN LAWNSWEEPER

For one year from date of purchase, when this Lawnsweeper is maintained and lubricated according to the operating and maintenance instructions in the owner's manual, Sears will repair free of charge any defect in material or workmanship.

This warranty does not cover:

- repairs necessary because of operator abuse or negligence, including the failure to maintain the equipment according to instructions contained in the owner's manual; and
- Lawnsweeper used for commercial or rental purposes.

WARRANTY SERVICE IS AVAILABLE BY RETURNING IT TO THE NEAREST SEARS SERVICE CENTER/DEPARTMENT IN THE UNITED STATES.

This warranty applies only while this product is in use in the United States.

This warranty gives you specific legal rights, and you may also have other rights which vary from state to state.

Sears, Roebuck and Co. D/817WA, Hoffman Estates, IL. 60179

Sears, Roebuck and Co., Hoffman Estates, IL. 60179 U.S.A.



## Free Manuals Download Website

<http://myh66.com>

<http://usermanuals.us>

<http://www.somanuals.com>

<http://www.4manuals.cc>

<http://www.manual-lib.com>

<http://www.404manual.com>

<http://www.luxmanual.com>

<http://aubethermostatmanual.com>

Golf course search by state

<http://golfingnear.com>

Email search by domain

<http://emailbydomain.com>

Auto manuals search

<http://auto.somanuals.com>

TV manuals search

<http://tv.somanuals.com>