

# CRAFTSMAN®

INSTRUCTION MANUAL | GUIDE D'UTILISATION | MANUAL DE INSTRUCCIONES

**6 GALLON (22.5 Liter), 9 GALLON (34 Liter),  
12 GALLON (45 Liter), 16 GALLON (60 Liter)  
OR 20 GALLON (75 Liter) WET/DRY VAC**

**ASPIRATEUR DE LIQUIDES ET DE POUSSIÈRES DE  
22,5 Litres (6 GALLONS), 34 Litres (9 GALLONS),  
45 Litres (12 GALLONS), 60 Litres (16 GALLONS)  
OU 75 Litres (20 GALLONS)**

**ASPIRADORA PARA SECO/MOJADO DE  
22,5 Litros (6 GALONES), 34 Litros (9 GALONES),  
45 Litros (12 GALONES), 60 Litros (16 GALONES)  
Ó 75 Litros (20 GALONES)**

## MODEL NUMBERS

**6 and 9 Gallon  
(22.5 and 34 Liter)**

**CMXEVBET175840  
CMXEVBET175900**

**12, 16 and 20 Gallon  
(45, 60 and 75 Liter)**

**CMXEVBET175940  
CMXEVBET175950  
CMXEVBET175960**

## NUMÉROS DE MODÈLES

**22,5 et 34 Litres  
(6 et 9 Gallons)**

**CMXEVBET175840  
CMXEVBET175900**

**45, 60 et 75 Litres  
(12, 16 et 20 Gallons)**

**CMXEVBET175940  
CMXEVBET175950  
CMXEVBET175960**

## NÚMEROS DE MODELOS

**22,5 y 34 Litros  
(6 y 9 Galones)**

**CMXEVBET175840  
CMXEVBET175900**

**45, 60 y 75 Litros  
(12, 16 y 20 Galones)**

**CMXEVBET175940  
CMXEVBET175950  
CMXEVBET175960**



**IF YOU HAVE QUESTIONS OR COMMENTS, CONTACT US.  
POUR TOUTE QUESTION OU TOUT COMMENTAIRE, NOUS CONTACTER.  
SI TIENE DUDAS O COMENTARIOS, CONTÁCTENOS.**

**1-888-331-4569**

**WWW.CRAFTSMAN.COM**

Part No. SP7075

Printed in Mexico

## Definitions: Safety Alert Symbols and Words

This instruction manual uses the following safety alert symbols and words to alert you to hazardous situations and your risk of personal injury or property damage.

**⚠ DANGER:** Indicates a hazardous situation which, if not avoided, will result in death or serious injury.

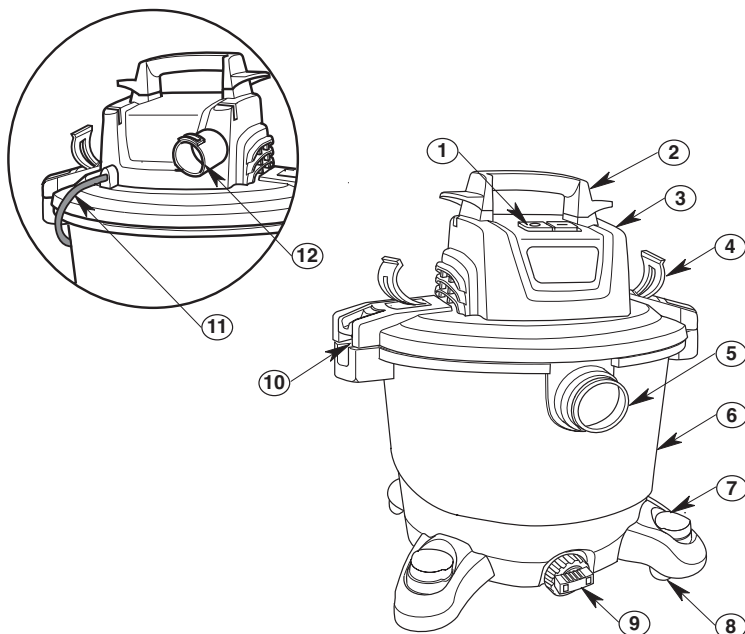
**⚠ WARNING:** Indicates a hazardous situation which, if not avoided, could result in death or serious injury.

**⚠ CAUTION:** Indicates a hazardous situation which, if not avoided, may result in minor or moderate injury.

**⚠** (Used without word) Indicates a safety related message.

**NOTICE:** Indicates a practice not related to personal injury which, if not avoided, may result in property damage.

Fig. A



### Components

- ① ON/OFF Switch
- ② Carry Handle/Power Cord Wrap
- ③ Powerhead Assembly
- ④ Hose Storage Clips
- ⑤ Inlet Port
- ⑥ Dust Drum
- ⑦ Caster Foot w/Storage
- ⑧ Castor
- ⑨ Drain
- ⑩ Drum Latch
- ⑪ Power Cord
- ⑫ Blowing Port

**⚠ WARNING:** Read all safety warnings and all instructions. Failure to follow the warnings and instructions may result in electric shock, fire and/or serious injury.

**⚠ WARNING:** Never modify the product or any part of it. Damage or personal injury could result.

**⚠ WARNING:** To reduce the risk of injury, read the instruction manual.

If you have any questions or comments about this or any product, call CRAFTSMAN toll free at: 1-888-331-4569.

# IMPORTANT SAFETY INSTRUCTIONS

When using this Vac, always follow basic safety precautions including the following:

## **⚠ WARNING:**

**To reduce the risk of fire, electric shock, or injury:**

- Read and understand this manual and all labels on the Vac before operating.
- Use only as described in this manual.
- Do not leave Vac running while unattended - you may fail to notice important signs indicating abnormal operation such as loss of suction, debris/liquid exiting exhaust, or abnormal motor noises. Immediately stop using Vac if you notice these signs.
- Do not leave Vac when plugged in. Unplug from outlet when not in use and before servicing.
- Sparks inside the motor can ignite flammable vapors or dust. To reduce the risk of fire or explosion, do not use near combustible liquids, gases, or dusts, such as gasoline or other fuels, lighter fluid, cleaners, oil-based paints, natural gas, coal dust, magnesium dust, grain dust, aluminum dust, or gun powder.
- Do not vacuum anything that is burning or smoking, such as cigarettes, matches, or hot ashes.
- To avoid the risk of self-ignition of drum debris, empty drum after each use. Combustible materials, such as rags or saw dust containing stain or urethane, can be sources of such overheating.
- Do not vacuum drywall dust, cold fireplace ash, or other fine dusts with standard filter. These may pass through the filter and be exhausted back into the air. Use a fine dust filter instead.
- To reduce the risk of inhaling toxic vapors, do not vacuum or use near toxic or hazardous materials.
- This Wet/Dry Vac is not intended for use by persons (including children) with reduced physical, sensory, or mental capabilities, or lack of experience and knowledge, unless they have been given supervision or instruction concerning use of the appliance by a person responsible for their safety.
- To reduce the risk of electric shock, do not expose to rain or allow liquid to enter motor compartment. Store indoors.
- Do not allow to be used as a toy. Close attention is necessary when used by or near children.
- Do not use with a torn filter or without the filter installed except when vacuuming liquids as described in this manual. Dry debris ingested by the impeller may damage the motor or be exhausted into the air.
- Turn off Vac before unplugging.
- To reduce the risk of injury from accidental starting, unplug power cord before changing or cleaning filter.
- Do not unplug by pulling on cord. To unplug, grasp the plug, not the cord.
- Do not use with damaged cord, plug, or other parts. If your Vac is not working as it should, has missing parts, has been dropped, damaged, left outdoors, or dropped into water, call customer service at 1-888-331-4569 (Mexico 001-881-331-4569).
- Do not handle plug, switch, or the Vac with wet hands.
- Do not pull or carry by cord, use cord as handle, close a door on cord, or pull cord around sharp edges or corners. Do not run Vac over cord. Keep cord away from heated surfaces.
- Use only extension cords that are rated for outdoor use. Extension cords in poor condition or too small in wire size can pose fire and shock hazards. To reduce the risk of these hazards, be sure the cord is in good condition and that liquid does not contact the connection. Do not use an extension cord with conductors smaller than 1,3 mm<sup>2</sup> (16 AWG) in size.
- This Vac is double-insulated, eliminating the need for a separate grounding system. Use only identical replacement parts. Read the instructions for Servicing Double-Insulated Wet/Dry Vacs.
- Do not put any object into ventilation openings. Do not vacuum with any ventilation openings blocked; keep free of dust, lint, hair, or anything that may reduce air flow.
- Keep hair, loose clothing, fingers, and all parts of body away from openings and moving parts.
- To reduce the risk of falls, use extra care when cleaning on stairs.
- To reduce the risk of back injury or falls, do not lift a Vac that is heavy with liquid or debris. Partially empty by scooping debris or draining liquid.
- To reduce the risk of personal injury or damage to Vac, use only CRAFTSMAN recommended accessories.
- When using as a blower:
  - Direct air discharge only at work area.
  - Do not direct air at bystanders.
  - Keep children away when blowing.
  - Do not use blower for any job except blowing dirt and debris.
  - Do not use as a sprayer.
- To reduce the risk of eye injury, wear safety eyewear. The operation of any utility Vac or blower can result in foreign objects being blown into the eyes, which can result in severe eye damage.
- To reduce the risk of being struck by, or pulled down by, a rolling Vac, block the casters when using on any uneven or sloped surface.

## **⚠ CAUTION:**

- To reduce the risk of hearing damage, wear ear protectors when using for extended time or in a noisy area.
- For dusty operations, wear dust mask.
- Static shocks are common when the relative humidity of the air is low. Vacuuming fine debris with your Vac can deposit static charge on the hose or Vac. To reduce the frequency of static shocks in your home or when using this Vac, add moisture to the air with a humidifier.

Observe the following warnings that appear on the motor housing of your Vac:



**DOUBLE INSULATED - GROUNDING NOT REQUIRED. WHEN SERVICING USE ONLY IDENTICAL REPLACEMENT PARTS.**

## **⚠ WARNING:**

- For your own safety, read and understand Instruction Manual.
- Do not run unattended.
- Do not pick up hot ashes, coals, flammable, combustible / self-igniting, toxic, or other hazardous materials.
- Do not use around explosive liquids or vapors.

## **⚠ WARNING:**

To reduce the risk of electric shock - do not expose to rain - store indoors.

**FREE WARNING LABEL REPLACEMENT:** If your warning labels become illegible or are missing, call **1-888-331-4569** for a free replacement.

# SAVE THESE INSTRUCTIONS

## INTRODUCTION

This Wet/Dry Vac is intended for house-hold use. It may be used for vacuuming of wet or dry media and may be used as a Blower.

Read this Instruction Manual to familiarize yourself with the product features and to understand the specific usage of your new Wet/Dry Vac.

## TABLE OF CONTENTS

Section	Page	Section	Page
Important Safety Instructions	2-4	Maintenance	12-14
Introduction	4	Filter	12
Carton Contents	5	Removal and Installation of	
Installation	6-7	Qwik Lock Filter™	12
Caster/Caster Foot Assembly	6	Filter Bag	13
Hose Clip Assembly	6	Filter Bag Installation	13
Carry Handle Assembly	6	Filter Bag Removal	13
Vac Assembly	7	Filter Cleaning	14
Insert Hose	7	Cleaning a Dry Filter	14
Accessory Storage	7	Cleaning a Wet Filter	14
Operation	8-11	Cleaning and Disinfecting	
Polarized Plug	8	the Wet/Dry Vac	14
Vacuuming Dry Materials	8	Casters	14
Vacuuming Liquids	9	Storage	14
Emptying the Drum	9	Service / Repair Parts	15-17
Moving the Wet/Dry Vac	10	Servicing Double Insulated	
Muffler / Diffuser	10	Wet/Dry Vacs	15
Blowing Feature	11	Warranty	19

## CARTON CONTENTS (Fig. B)

Key	Description	CMXEVE175840 6 Gallon (22.5 Liter)	CMXEVE175900 9 Gallon (34 Liter)	CMXEVE175940 12 Gallon (45 Liter)	CMXEVE175950 16 Gallon (60 Liter)	CMXEVE175960 20 Gallon (75 Liter)
A	Vac Assembly	1	1	1	1	1
B	Hose Assembly	1	1	1	1	1
C	Utility Nozzle	1	1	1	1	1
D	Wet Nozzle	Not Included	1	1	1	1
E	Car Nozzle	1	1	1	1	1
F	Crevice Tool	Not Included	Not Included	Not Included	Not Included	1
G	Extension Wands	2	2	2	2	2
H	Muffler/Diffuser	Not Included	Not Included	Not Included	Not Included	1
I	Caster Foot w/Storage	4	4	4	4	4
J	Caster	4	4	4	4	4
K	Hose Clip Assembly	Not Included	Not Included	2	2	2
L	Carry Handle	1	1	1	1	1
M	Disposable Filter Bag	1	1	1	1	1
N*	Qwik Lock Filter	1	1	1	1	1
O	Instruction Manual	1	1	1	1	1

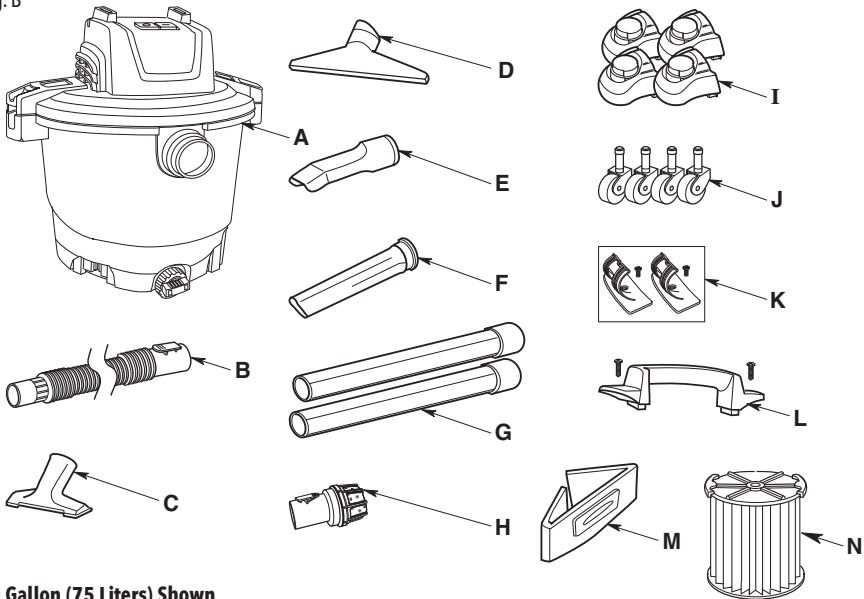
\* Items may come preassembled.

Images shown may not reflect actual part.

Remove entire contents of carton. Check each item against the Carton Contents List.

If any parts are damaged or missing, immediately call customer service at 1-888-331-4569 (Mexico 001-881-331-4569).

Fig. B

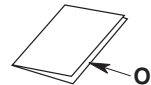


20 Gallon (75 Liters) Shown

### Tools Required:



Phillips Screwdriver

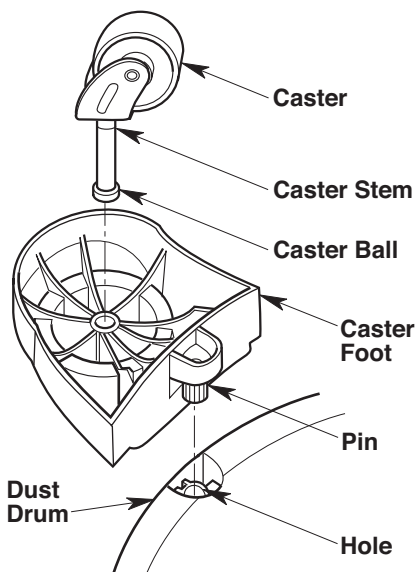


## INSTALLATION

### Caster/Caster Foot Assembly (Fig. C)

1. Remove the Powerhead Assembly from the Dust Drum and set aside.
2. Turn the Dust Drum upside down on the floor.
3. Insert the Caster Feet into the bottom of Drum, as shown (4 places).
4. Push on the Caster Foot until the Foot is flush with bottom of the Dust Drum.
5. Insert the Caster Stem into the Socket of the Caster Foot, as shown (4 places).
6. Push on the Caster until the Ball on the Caster Stem is inserted all the way into the Socket. You will hear the Ball snap into the Socket and the Caster will swivel easily when positioning is correct.
7. Turn the Drum upright.

Fig. C

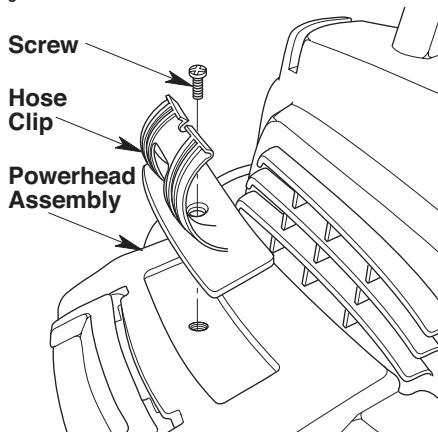


### Hose Clip Assembly (Fig. D)

(Models CMXEVB175940, CMXEVB175950, CMXEVB175960)

1. Align the Hose Clips in the recessed areas on the Powerhead Assembly.
2. Insert Screw and tighten to fasten the Hose Clip to the Powerhead Assembly.

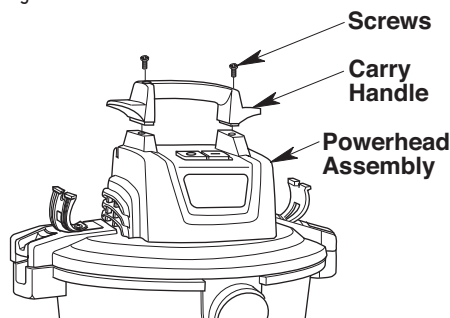
Fig. D



### Carry Handle Assembly (Fig. E)

1. Place the Carry Handle on the Wet/Dry Vac Powerhead Assembly.
2. Tighten both Screws to assemble the Carry Handle on the Powerhead Assembly.

Fig. E



20 Gallon (75 Liters) Shown

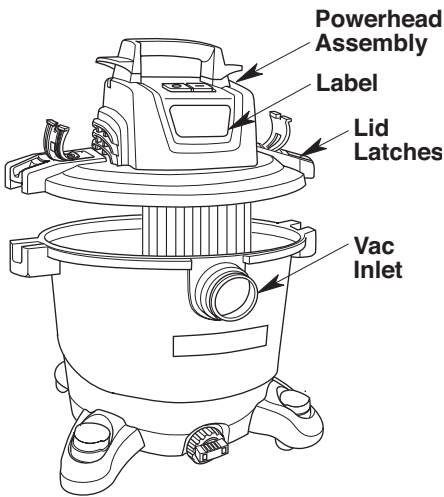
## Vac Assembly (Fig. F)

1. Line up front (label side) of Powerhead Assembly with Vac Inlet located on the front of the Drum.

**NOTE:** Powerhead Assembly must be aligned with Drum for proper attachment.

2. Place Powerhead Assembly on top of Drum.
3. Be sure Powerhead Assembly completely covers the top of the Drum so leakage does not occur.
4. Press down on the Lid Latches to securely attach the Powerhead Assembly to the Drum.
5. To remove the Powerhead Assembly, first unplug the unit from the electrical outlet. Then lift up on the Lid Latches and remove from Drum.

Fig. F



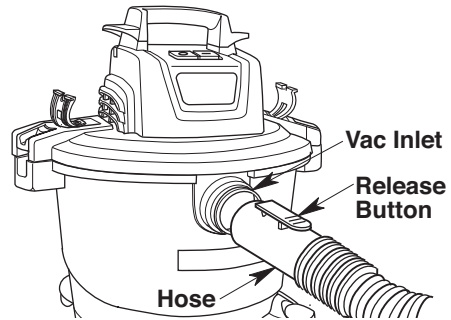
20 Gallon (75 Liters) Shown

## Insert Hose (Fig. G)

Insert the Locking End of the Hose Assembly into the Vac Inlet. The Hose should snap into place.

To remove the Hose from the Vac, press the Release Button on the Hose Assembly and pull the Hose out of the Vac Inlet, as shown.

Fig. G



20 Gallon (75 Liters) Shown

## Accessory Storage (Fig. H)

Your Accessories may be stored in the Caster Feet or in the storage locations on the Powerhead Assembly (in applicable models).

The Hose may also be stored by wrapping it around the unit and securing it into the Hose Clips (in applicable models).

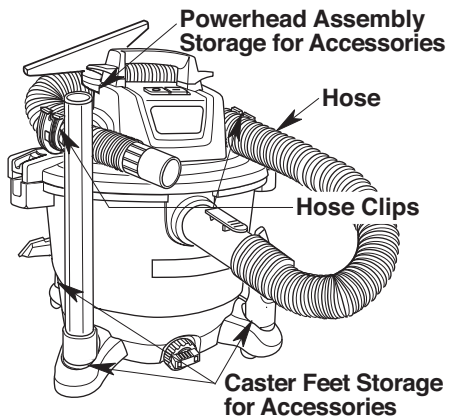
## ⚠ CAUTION:

*Do not operate vacuum while the hose is still wrapped around the powerhead assembly in the storage position.*

## ⚠ WARNING:

*Do not put any object into ventilation openings. Do not vacuum with any ventilation openings blocked; keep free of dust, lint, hair or anything that may reduce air flow.*

Fig. H



20 Gallon (75 Liters) Shown

## OPERATION

### **WARNING:**

**To reduce the risk of fire, explosion, or damage to Vac:**

- Do not leave Vac running while unattended - you may fail to notice important signs indicating abnormal operation such as loss of suction, debris/liquid exiting the exhaust, or abnormal motor noises. Immediately stop using Vac if you notice these signs.
- Do not leave Vac plugged in when not in use.
- Do not continue running when float has cut off suction.
- Sparks inside the motor can ignite airborne flammables. Do not operate Vac near flammable liquids or in areas with flammable gases, vapors, or explosive airborne dust. Flammable liquids, gases, and vapors include: lighter fluid, solvent-type cleaners, oil-based paints, gasoline, alcohol, and aerosol sprays. Explosive dusts include: coal, magnesium, aluminum, grain, and gun powder.
- Do not vacuum up explosive dusts, flammable liquids, or hot ashes.
- Do not leave sawdust or rags with stain or polyurethane residue inside Vac. Empty drum after picking up these potentially self-heating materials.

### **WARNING:**

**To reduce the risk of electric shock or injury:**

- Do not expose to rain or allow liquid to enter motor compartment. Store indoors.
- Do not handle plug, switch, or Vac with wet hands.
- Unplug Vac before servicing. If your Vac is not working as it should, has missing parts, has been dropped, damaged, left outdoors, or dropped into water, call customer service at 1-888-331-4569 (Mexico 001-881-331-4569).
- When using an extension cord, use only outdoor-rated cords that are in good condition. Do not allow the connection to come into contact with liquid.

### **CAUTION:**

To reduce the risk of hearing damage, wear ear protectors when using the Vac / Blower for extended time or in a noisy area.

## Polarized Plug

To reduce the risk of electric shock, this Vac has a Polarized Plug (one blade is wider than the other). This Plug will fit in a Polarized Outlet only one way. If the Plug does not fit fully in the Outlet, reverse the Plug. If it still does not fit, contact a qualified electrician to install the proper Outlet. Do not change the Plug in any way.

After you Plug the Power Cord into the Outlet, turn the Unit on by pushing the Switch from position "O" to position "I". The symbols used on the Switch Actuator are International "On & Off" Symbols:



## Vacuuming Dry Materials

1. The Filter must always be in correct position to reduce the risk of leaks and possible damage to Vac.
2. When using your Vac to pick up very fine dust, it will be necessary for you to empty the Drum and clean the Filter at more frequent intervals to maintain peak Vac performance.

**NOTE:** A dry Filter is necessary to pick up dry material. If you use your Vac to pick up dust when the Filter is wet, the Filter will clog quickly and be very difficult to clean.



## Vacuating Liquids

### **⚠ WARNING:**

*Do not operate without filter cage and float, as they prevent liquid from entering the impeller and damaging the motor. For dry material pick-up, do not operate without the filter in place to reduce the risk of damage to the motor.*

### **⚠ WARNING:**

*To reduce the risk of fire or explosion, do not vacuum flammable or combustible liquids, gases or dust.*

1. When picking up small amounts of liquid the Filter may be left in place.
2. When picking up large amounts of liquid we recommend that the Filter be removed. If the Filter is not removed, it will become saturated and misting may appear in the exhaust.
3. After using the Vac to pick up liquids, the Filter must be dried to reduce the risk of possible mildew and damage to the Filter.
4. When the liquid in the Drum reaches a predetermined level, the Float mechanism will rise automatically to cut off air-flow. When this happens, turn off the Vac, unplug the Power Cord, and empty the Drum. You will know that the Float has risen because Vac airflow ceases and the Motor noise will become higher in pitch, due to increased Motor Speed.

**IMPORTANT:** To reduce the risk of damage to the Vac do not run Motor with Float in raised position.

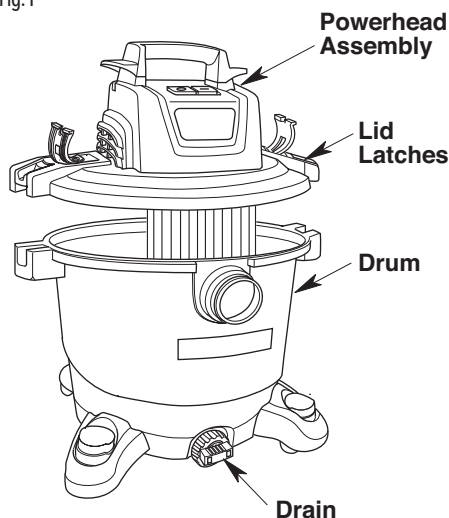
## Emptying the Drum (Fig. 1)

1. Remove the Powerhead Assembly. Pull Latches to release from the Drum.
2. Lift the Powerhead Assembly up and away from the Drum.
3. Lay Powerhead Assembly upside down on a clean area while emptying the Drum.
4. Dump the Drum contents into the proper waste disposal container.
5. If the Vac comes equipped with a Drain, simply unscrew the Drain Cap and lift the opposite side slightly to empty the Drum.

### **⚠ WARNING:**

*To reduce the risk of back injury or falls, do not lift a Vac heavy with liquid or debris. Scoop or drain enough contents out to make the Vac light enough to lift comfortably.*

Fig. 1



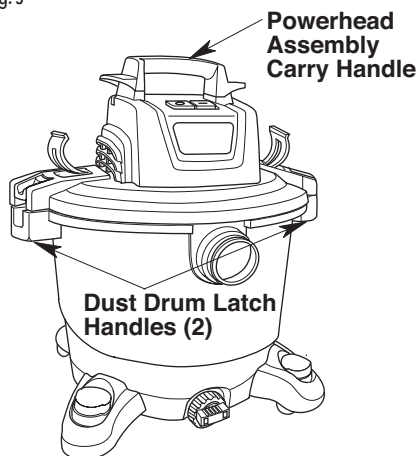
20 Gallon (75 Liters) Shown

## Moving the Wet/Dry Vac (Fig. J)

Should it become necessary to pick the Vac up to move it, use the Dust Drum Latch Handles.

To maneuver the Vac, the Carry Handle on top of the Powerhead Assembly should be used.

Fig. J



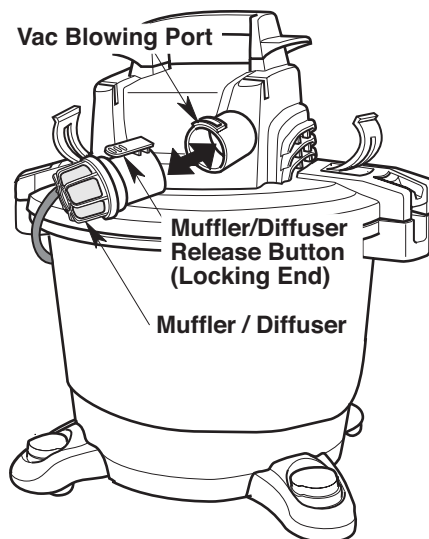
20 Gallon (75 Liters) Shown

## Muffler / Diffuser (Fig. K)

Depending on your Model, your Vac may come with a Muffler/Diffuser. Insert the Muffler/Diffuser Locking End into the Vac Blowing Port, when the Vac is not being used as a Blower. The Muffler/Diffuser should snap into place.

To Remove the Muffler/Diffuser from the Blowing Port, press the Muffler/Diffuser Release Button and pull out of the Blowing Port.

Fig. K



20 Gallon (75 Liters) Shown

## Blowing Feature (Fig. L)

Your Vac features a Blowing Port. It can blow sawdust and other debris. Follow the following steps to use your Vac as a Blower.

1. Locate Blowing Port of your Vac.
2. Insert the Locking End of the Hose Assembly into the Vac Blowing Port. The Hose should snap into place.

To Remove the Hose from the Vac, press the Release Button in the Hose Assembly and pull the Hose out of the Vac Blowing Port.

3. (Optional) Attach the Extension Wand to opposite end of Hose, then place the Car Nozzle on the Wand.
4. Turn Vac on and you are ready to use your Vac as a Blower.

## ⚠ WARNING:

*Always wear safety eyewear complying with ANSI Z87.1 (or in Canada, CSA Z94.3) before using as a blower.*

## ⚠ WARNING:

*To reduce the risk of injury to bystanders, keep them clear of blowing debris.*

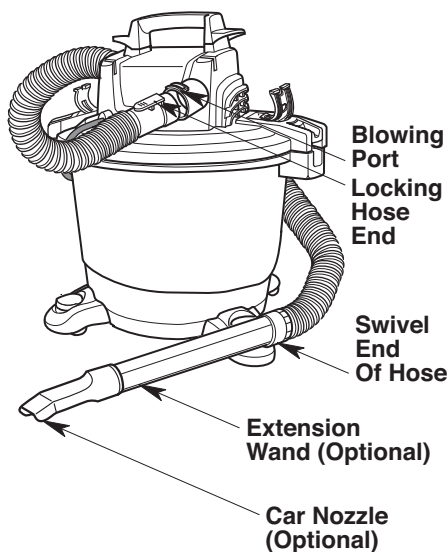
## ⚠ CAUTION:

*Wear a dust mask if blowing creates dust which might be inhaled.*

## ⚠ CAUTION:

*To reduce the risk of hearing damage, wear ear protectors when using the Vac / Blower for extended time or in a noisy area.*

Fig. L



20 Gallon (75 Liters) Shown

## MAINTENANCE

### Filter

#### **⚠ WARNING:**

To reduce the risk of injury from accidental starting, unplug power cord before changing or cleaning filter.

**NOTE:** This Filter is made of high quality paper designed to stop very small particles of dust. The Filter can be used for wet or dry pick up. Handle the Filter carefully when removing to install or clean. Creases in the Filter pleats may occur from installation but creases will not affect the performance of the Filter.

### Removal and Installation of the Qwik Lock™ Filter (Fig. M)

**IMPORTANT:** To reduce the risk of damage to the Blower Wheel and Motor, always reinstall the Filter before using the Vac for dry material pickup.

#### Filter Removal

1. Hold the Filter Tabs of the Qwik Lock™ Filter in each hand.
2. With one thumb on the Qwik Lock™ Stud, lift up on the Filter Tabs while pushing down on the Stud.
3. This action will cause the Filter to release from the Filter Cage. Slide Filter off Cage.

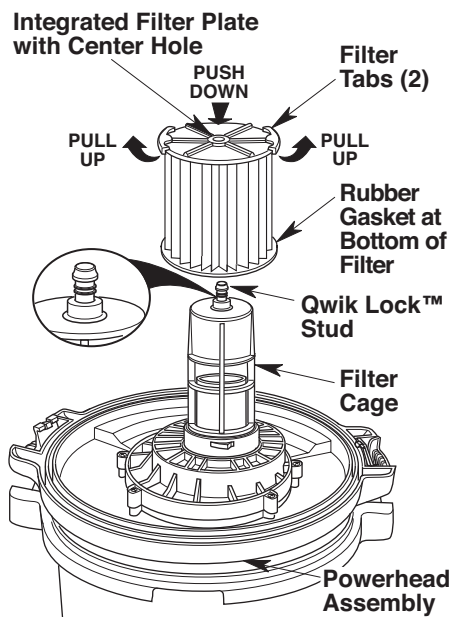
#### **⚠ WARNING:**

Do not operate without a filter cage and float, as they prevent liquid from entering the impeller and damaging the motor.

#### Filter Installation

1. Carefully slide the Qwik Lock™ Filter over the Filter Cage and press down on the outside edge of the Filter until the Rubber Gasket on the bottom of the Filter seats securely around the base of the Filter Cage and against the Powerhead Assembly.
2. Align the small Center Hole in the top of the Filter over the Qwik Lock™ Stud on the Filter Cage. Press firmly on top of the Filter near the Stud to allow the Filter to snap over the Ball on the end of the Stud. The Filter is now attached.

Fig. M



**NOTE:** Failure to properly seat the bottom Gasket could result in debris bypassing the Filter.

## Filter Bag

### **⚠ WARNING:**

To avoid health hazards from vapors or dust, do not vacuum toxic, carcinogenic or other hazardous materials such as asbestos, arsenic, barium, beryllium, lead, pesticides or other health endangering materials.

### **⚠ CAUTION:**

To avoid spilled debris, when picking up heavy or sharp material, monitor bag volume and do not overfill.

## Filter Bag Installation (Fig. N)

A Filter Bag may be used in place of or in addition to the Qwik Lock™ Cartridge Filter.

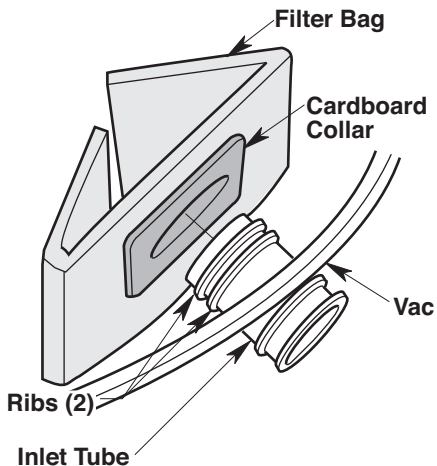
Replacement Filter Bags are available:

**NOTE:** See Repair Parts List for Part Number.

**NOTE:** When picking up dry debris a Filter Bag or Cartridge Filter must be properly installed.

1. Filter Bag to be used to pick up dry debris only.
2. Correct positioning of Cardboard Collar is required to assure proper seal.
3. Locate two Ribs on Inlet Tube, inside Drum.
4. Slide Cardboard Collar onto Inlet Tube and position Cardboard Collar between the two Ribs.
5. With the Cardboard Collar securely installed, unfold and position Filter Bag inside Drum, as shown.

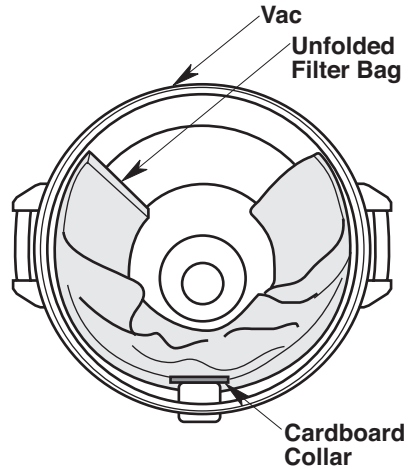
Fig. N



## Filter Bag Removal (Fig. O)

1. Slide Cardboard Collar toward center of Vac Drum.
2. Remove Filter Bag from Vac Drum and discard.
3. Install new Filter Bag.

Fig. O



## Filter Cleaning

Your Filter should be cleaned often to maintain peak Vac performance.

### Cleaning A Dry Filter

1. Some removal of dry debris can be accomplished without removing the Filter from the Vac. Slap your hand on top of the Powerhead Assembly while the Vac is turned off.
2. For best cleaning results due to accumulated dust, clean the Filter in an open area. Cleaning SHOULD be done outdoors and not in the living quarters.
3. After Filter removal from Vac, remove the dry debris by gently tapping Filter against the inside wall of your Dust Drum. The debris will loosen and fall.
4. For thorough cleaning of dry Filter with fine dust (no debris), run water through it as described under "Cleaning A Wet Filter".

### Cleaning A Wet Filter

After Filter is removed, run water through the Filter from a hose or spigot. Take care that water pressure from the hose is not strong enough to damage Filter.

**IMPORTANT:** After cleaning, check the Filter for tears or small holes. Tears and holes in the Filter can cause debris and dust to be blown from the Vac. Do not use a Filter with holes or tears. Replace immediately.

Allow the Filter to dry before reinstalling and storing the Vac or picking up dry debris.

## Cleaning and Disinfecting the Wet/Dry Vac

To keep your Wet/Dry Vac looking its best, clean the outside with a cloth dampened with warm water and mild soap.

To clean the Drum:

1. Dump debris out.
2. Wash Drum thoroughly with warm water and mild soap.
3. Wipe out with dry cloth.

Before prolonged storage or as needed (i.e., waste water pick up) the Drum should be disinfected.

To disinfect the Drum:

1. Pour 1 gallon (4 L) of water and 1 teaspoon (5 mL) chlorine bleach into the Drum.
2. Let solution stand for 20 minutes, carefully swishing every few minutes, making sure to wet all inside surfaces of the Drum.
3. Empty Drum after 20 minutes. Rinse with water until bleach smell is gone. Allow Drum to dry completely before sealing the Motor on the Drum.

## Casters

If your Casters are noisy, you may put a drop of oil on the Roller Shaft to make them quieter.

## Storage


Before storing your Vac, the Drum should be emptied and cleaned. The Power Cord should be wrapped around the Carry Handle and the Hose should be stored as described in this manual. Accessories should be kept in the same area as the Vac so they can be readily available. The Vac should be stored indoors.

## WARNING:

*To assure product SAFETY and RELIABILITY, any other maintenance, repairs and adjustments should be performed by Authorized Service Centers, always using CRAFTSMAN replacement parts.*

---

## WARNING: SERVICING OF DOUBLE-INSULATED WET/DRY VAC

In a double-insulated Wet/Dry Vac, two systems of insulation are provided instead of grounding. No grounding means is provided on a double-insulated appliance, nor should a means for grounding be added. Servicing a double-insulated Wet/Dry Vac requires extreme care and knowledge of the system, and should be done only by qualified service personnel. Replacement parts for a double-insulated Wet/Dry Vac must be identical to the parts they replace. Your double-insulated Wet/Dry Vac is marked with the words "DOUBLE INSULATED" and the symbol  (square within a square) may also be marked on the appliance.

To reduce the risk of injury, unplug power cord before servicing the Wet/Dry Vac.

## SERVICE / REPAIR PARTS

**6 Gallon (22.5 Liter) Wet/Dry Vac**  
**Model Number: CMXEVB175840**  
**Electrical Rating: 120 V~ 7.5 A 60 Hz**

**9 Gallon (34 Liter) Wet/Dry Vac**  
**Model Number: CMXEVB175900**  
**Electrical Rating: 120 V~ 8.3 A 60 Hz**

**12 Gallon (45 Liter) Wet/Dry Vac**  
**Model Number: CMXEVB175940**  
**Electrical Rating: 120 V~ 10.5 A 60 Hz**

**16 Gallon (60 Liter) Wet/Dry Vac**  
**Model Number: CMXEVB175950**  
**Electrical Rating: 120 V~ 12 A 60 Hz**

**20 Gallon (75 Liter) Wet/Dry Vac**  
**Model Number: CMXEVB175960**  
**Electrical Rating: 120 V~ 12 A 60 Hz**

Key No.	6 Gal. / 22.5 L CMXEVB175840	9 Gal. / 34 L CMXEVB175900	12 Gal. / 45 L CMXEVB175940	16 Gal. / 50 L CMXEVB175950	20 Gal. / 75 L CMXEVB175960	Description
1	841579-1	841579-1	841579-1	841579-1	841579-1	Switch
2	510700	510700	510701	510701	510701	Top Handle & Hardware (2 screws)
3	510702	510703	510704	510705	510706	Motor Cover with Labels
4	829719-17	829719-17	829719-14	829719-17	829719-17	Cord with Terminal
5	841522	841522	841364	841364-1	841364-1	Duct, Exhaust
6	832630	832630	Not Included	Not Included	Not Included	Upper Motor Gasket
7	841655	841455	829693-1	510379	510379	Motor Assembly
8	841517	841517	Not Included	Not Included	Not Included	Lower Motor Gasket
9	Not Included	Not Included	819260-13	819260-13	819260-13	Lead Assembly
10	Not Included	Not Included	818961	818961	818961	Spacer
11	Not Included	Not Included	818413-2	818413	818413	Blower Wheel
12	Not Included	Not Included	315534-1	315534-1	315534-1	Washer
13	Not Included	Not Included	826817	826817	826817	Nut, Hex Flange 5/16-18
14	Not Included	Not Included	820563-5	820563-5	820563-5	Screw, Pan Hd Typ "AB" 10 x 1-1/4 (32mm) Ser.
15	841521-1	841521-1	510559	510567	510567	Lid / Lid Assembly
16	Not Included	Not Included	510582	510582	510582	Hose Clip Assembly with Screws
17	Not Included	Not Included	841265	841265	841265	Lid Latch
18	820563-4	820563-4	820563-4	820563-4	820563-4	Screw, Pan Hd Typ "AB" 10 x 3/4 (22mm) Ser.
19	841454	841454	840321	840321	840321	Collector
20	833521-1	833521-1	823201-2	823201-2	823201-2	Filter Cage Assembly
21	CMXZVBE38754	CMXZVBE38754	CMXZVBE38754	CMXZVBE38754	CMXZVBE38754	Replacement Filter
22	842913	510707	510708	510709	510710	Drum
23	832836	832836	828460	828460	828460	Caster Foot with Storage
24	73137	73137	873102	73102	73102	Caster
25	CMXZVBE38676	CMXZVBE38676	CMXZVBE38630	CMXZVBE38630	CMXZVBE38630	Utility Nozzle
26	CMXZVBE38681	CMXZVBE38681	CMXZVBE38620	CMXZVBE38620	CMXZVBE38620	Car Nozzle
27	CMXZVBE38675	CMXZVBE38675	CMXZVBE38606	CMXZVBE38606	CMXZVBE38606	Extension Wand
28	CMXZVBE38761	CMXZVBE38761	CMXZVBE38763	CMXZVBE38763	CMXZVBE38763	Hose Assembly
29	CMXZVBE39970	CMXZVBE39970	CMXZVBE38735	CMXZVBE38749	CMXZVBE38749	Disposable Filter Bag
30	Not Included	73185	73185	73185	73185	Cap. Drain
31	Not Included	CMXZVBE38683	CMXZVBE38621	CMXZVBE38621	CMXZVBE38621	Wet Nozzle
32	Not Included	Not Included	Not Included	Not Included	CMXZVBE37035	Crevice Tool
33	Not Included	Not Included	Not Included	Not Included	CMXZVBE38660	Diffuser
34	SP7075	SP7075	SP7075	SP7075	SP7075	Instruction Manual

**6 Gallon (22.5 Liter) Wet/Dry Vac  
Model Number CMXEVB175840**

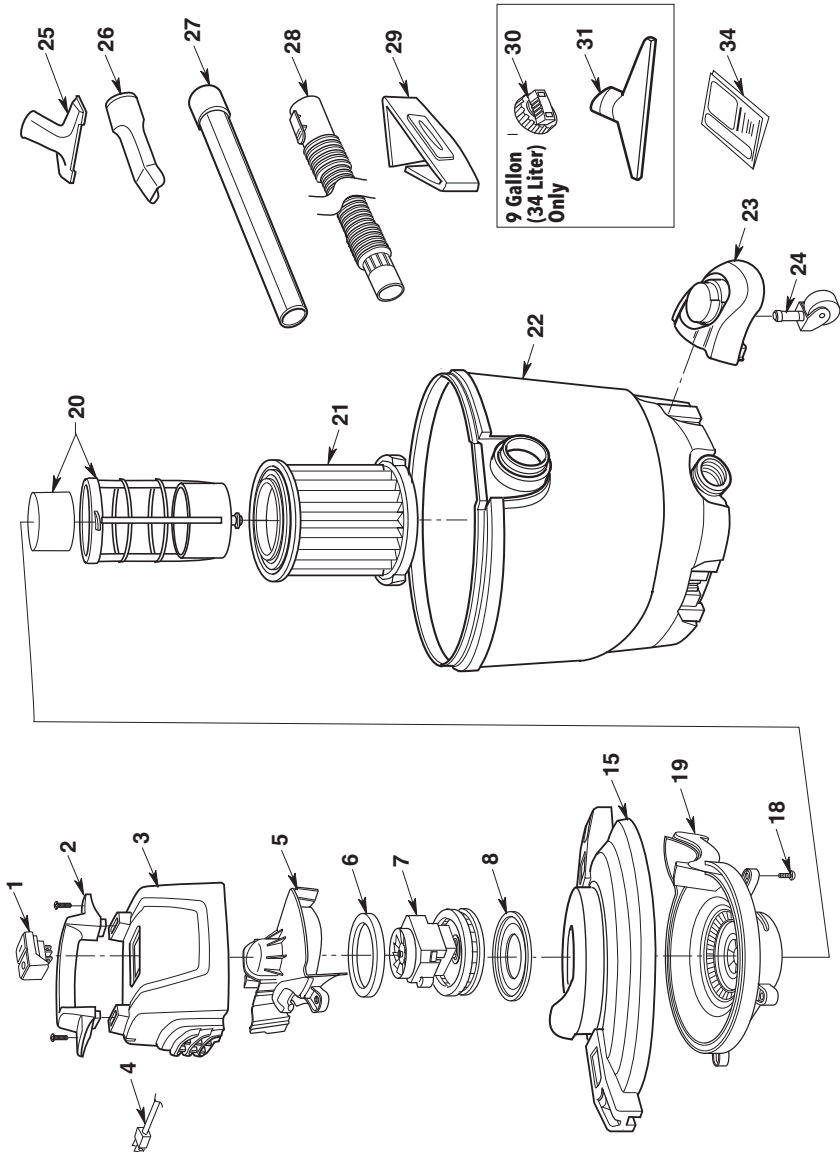
**OR**

**9 Gallon (34 Liter) Wet/Dry Vac  
Model Number CMXEVB175900**

**⚠ WARNING:** *To reduce the risk of injury, unplug power cord before servicing the Wet/Dry Vac.*

**⚠ WARNING:** *All disassembly and repairs should be performed by qualified personnel.*

**Always order by Part Number - Not by Key Number**





**12 Gallon (45 Liter)  
Wet/Dry Vac  
Model Number  
CMXEVB175940**

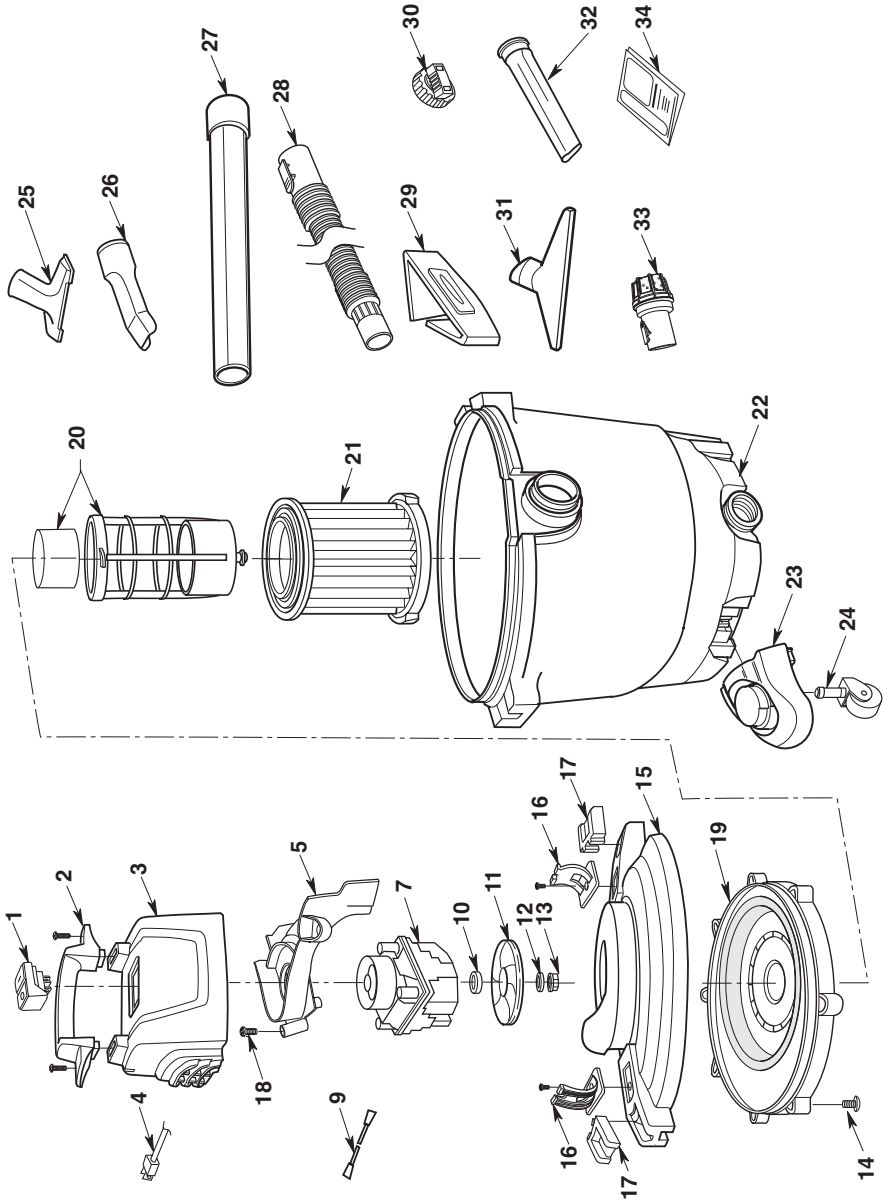
OR

**16 Gallon (60 Liter)  
Wet/Dry Vac  
Model Number  
CMXEVB175950**

OR

**20 Gallon (75 Liter)  
Wet/Dry Vac  
Model Number  
CMXEVB175960**

**Always order by Part Number - Not by Key Number**



## CRAFTSMAN® LIMITED WARRANTY - 3 YEARS

This limited warranty is provided by Emerson Tool Company, a division of Emerson Electric Co., ("We" or "Our" or "Us") to the original consumer owner ("Customer" or "You" or "Your") of the CRAFTSMAN product with which this limited warranty is provided (the "CRAFTSMAN Product").

### What is Covered

We warrant to You that your CRAFTSMAN Product will be free from defects in materials and workmanship when used under normal conditions in accordance with the terms of the Instruction Manual provided to You with the CRAFTSMAN Product, subject to the exclusions described below, for a period of three years commencing on the date of purchase by You (the "Warranty Period"). This limited warranty terminates if the original purchaser transfers the CRAFTSMAN Product to any other person or entity.

### What is not Covered

This limited warranty does not extend to and expressly excludes:

- Normal wear and tear and/or replacement attachments or accessories, including, without limitation, power cords, hoses, filters, and other attachments or accessories that may be offered for sale by Us for use with the CRAFTSMAN Product.
- Damage or burnout of the CRAFTSMAN Product motor resulting from failure to clear a blockage occurring during the normal course of use.
- Loss or damage to the CRAFTSMAN Product resulting from conditions beyond Our control including without limitation, misuse, accident, abuse, neglect, negligence (other than Our's), overuse beyond intended capacity as set forth in the Instruction Manual, or modifications or alterations made by anyone other than Us.
- Loss or damage to the CRAFTSMAN Product resulting from failure to use the CRAFTSMAN Product in accordance with the written instructions, guidelines, and terms and conditions set forth in the Instruction Manual.
- TO THE EXTENT PERMITTED BY LAW, IN NO EVENT SHALL WE BE LIABLE FOR ANY INCIDENTAL, SPECIAL, INDIRECT, OR CONSEQUENTIAL DAMAGES, INCLUDING ANY ECONOMIC LOSS, WHETHER RESULTING FROM NONPERFORMANCE, USE, MISUSE OR INABILITY TO USE THE CRAFTSMAN PRODUCT OR FOR THE NEGLIGENCE OF ETC.

### How to Obtain Service

US and Canada - To obtain warranty benefits contact us toll free at 1-888-331-4569 (Mexico 001-881-331-4569).

We will direct you to the nearest service center to review your vacuum for inspection, repairs or replacement.

Mexico - To obtain warranty benefits contact us toll free at 001-881-331-4569. We will direct you to the nearest service center to review your vacuum for inspection, repairs or replacement.

### No Other Express Warranty Applies

This limited warranty is the sole and exclusive warranty provided to You. No other express warranty, written or verbal, applies including, WITHOUT LIMITATION, WARRANTIES OF MERCHANTABILITY OR FITNESS FOR A PARTICULAR PURPOSE. No employee, agent, dealer, or other person is authorized to alter this limited warranty or make any other warranty on behalf of Us.

### What We will do to Correct Problems

YOUR SOLE AND EXCLUSIVE REMEDY UNDER THIS LIMITED WARRANTY SHALL BE LIMITED TO REPAIR, REPLACEMENT, REFUND OF THE CRAFTSMAN PRODUCT.

After You have contacted CRAFTSMAN Product Customer Service Department, We will initiate warranty proceedings, including a physical inspection, subject to the exclusions and the Warranty Period stated herein, to determine whether to repair or replace the CRAFTSMAN Product or provide You with a refund.

The decision to repair or replace your CRAFTSMAN Product or to provide a refund is at Our sole discretion. Repair or replacements provided to You by ETC are at no cost to You if covered under this limited warranty.

If we are unable to provide You with a suitable repaired or replacement CRAFTSMAN Product, we will provide you with a refund equal to the purchase price of your CRAFTSMAN Product or a credit to be used toward the purchase of a new CRAFTSMAN Product.

In the event of any dispute between CUSTOMER AND US, either party may choose to resolve the dispute by binding arbitration. THIS MEANS IF EITHER CUSTOMER OR US CHOOSE BINDING ARBITRATION, NEITHER PARTY SHALL HAVE THE RIGHT TO LITIGATE SUCH CLAIM IN COURT OR HAVE A JURY TRIAL. DISCOVERY AND APPEAL RIGHTS ARE LIMITED.

This limited warranty gives you specific legal rights, and you may also have other rights, which vary from State to State. Some states do not allow the exclusion of incidental or consequential damages, so the above limitation may not apply.



**CRAFTSMAN®**

is a registered trademark of Stanley Black & Decker, Inc., used under license.  
es una marca registrada de Stanley Black & Decker, Inc., utilizada bajo licencia.  
est une marque déposée de Stanley Black & Decker, Inc., utilisée sous licence.

© 2019 CRAFTSMAN

Product Manufactured by:	EMERSON TOOL COMPANY
Producto fabricado por:	8100 W. Florissant • St. Louis, MO 63136
Produit fabriqué par :	U.S. & Canada Only • É.-U. et Canada seulement • EE.UU. y Canadá solamente



## Définitions : Termes et symboles d'alertes de sécurité

Ce Guide d'utilisation utilise les termes et symboles d'alertes de sécurité suivants pour vous prévenir en cas de situations dangereuses et de risque de blessures ou de dommages matériels.

**⚠ DANGER :** Indique une situation dangereuse imminente qui, si elle n'est pas évitée, causera la mort ou une blessure grave.

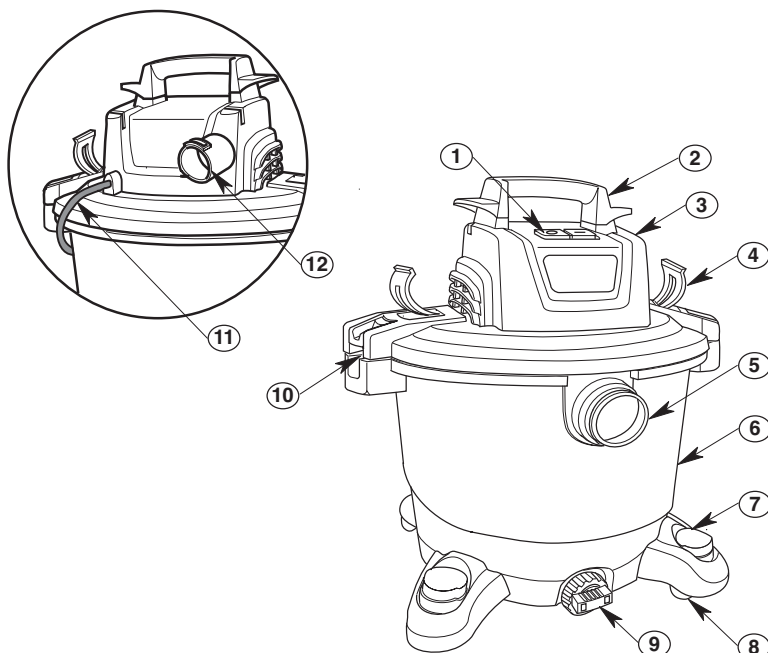
**⚠ AVERTISSEMENT :** Indique une situation pouvant être dangereuse qui, si elle n'est pas évitée, risque de causer la mort ou une blessure grave.

**⚠ MISE EN GARDE :** Indique une situation dangereuse qui, si elle n'est pas évitée, pourrait causer une blessure mineure ou modérée.

**⚠ (Utilisé sans terme)** Indique un message relatif à la sécurité.

**AVIS :** Indique une pratique non associée à un risque de blessure qui, si l'on n'en tient pas compte, pourrait causer des dommages matériels.

Fig. A



### Composants

- ① Interrupteur de marche/arrêt
- ② Poignée de transport/Aire d'enroulement du cordon d'alimentation
- ③ Ensemble de bloc-moteur
- ④ Pincettes pour le rangement du tuyau flexible
- ⑤ Orifice d'admission
- ⑥ Tambour à poussière
- ⑦ Pied à roulette avec aire de rangement
- ⑧ Roulette
- ⑨ Drain
- ⑩ Verrou du tambour
- ⑪ Cordon d'alimentation
- ⑫ Orifice de soufflerie

**⚠ AVERTISSEMENT :** Lisez tous les avertissements relatifs à la sécurité et toutes les instructions associées. Le non-respect des avertissements et des instructions pourrait causer un choc électrique, un incendie et/ou des blessures graves.

**⚠ AVERTISSEMENT :** Ne modifiez jamais le produit ou toute partie de celui-ci. Ceci pourrait causer une blessure ou des dommages matériels.

**⚠ AVERTISSEMENT :** Pour réduire le risque de blessure, lisez le Guide d'utilisation.

**En cas de questions ou de commentaires au sujet de ce produit ou de tout autre produit, téléphonez à CRAFTSMAN au numéro suivant (appel gratuit) : 1-888-331-4569.**

# INSTRUCTIONS IMPORTANTES RELATIVES À LA SÉCURITÉ

Des précautions de sécurité élémentaires doivent être prises lors de l'utilisation de cet aspirateur, notamment les précautions suivantes :

## **▲ AVERTISSEMENT :**

**Pour réduire le risque d'incendie, de choc électrique ou de blessure :**

- Lisez et comprenez ce manuel et toutes les étiquettes placées sur l'aspirateur avant de mettre celui-ci en marche.
- N'utilisez l'aspirateur que comme cela est décrit dans ce Guide d'utilisation.
- Ne laissez pas en marche pendant que vous êtes absent - vous vous risqueriez de manquer des signes importants indiquant un fonctionnement anormal, comme une perte de puissance d'aspiration, la sortie de débris ou de liquides par la bouche de soufflage d'air ou des bruits anormaux en provenance du moteur. Cessez immédiatement d'utiliser l'aspirateur si vous constatez de tels signes.
- Ne laissez pas l'aspirateur sans surveillance quand il est branché dans une prise de courant. Débranchez-le de la prise quand il n'est pas utilisé et avant toute opération de maintenance.
- Des étincelles à l'intérieur du moteur pourraient mettre le feu à des vapeurs ou poussières inflammables. Pour réduire le risque d'incendie ou d'explosion, ne pas utiliser à proximité de liquides, gaz ou poussières combustibles, comme de l'essence ou d'autres carburants, de l'essence pour briquets, des produits de nettoyage, des peintures à base d'huile, du gaz naturel, de la poussière de charbon, de la poussière de magnésium, de la poussière céréalière, de la poussière d'aluminium ou de la poudre noire.
- N'aspirez jamais de quelconques matières en train de brûler ou des matières fumigènes, telles que des cigarettes, des allumettes ou des cendres chaudes.
- Videz le tambour après chaque utilisation pour éviter le risque d'auto-inflammation des débris du tambour. Les matériaux combustibles, tels que des chiffons ou de la sciure contenant des colorants ou de l'uréthane, peuvent être des sources d'une telle surchauffe.
- N'aspirez jamais de poussières de plaques de plâtre, de suie ou de cendres de cheminée froides ou de poussières très fines qui risqueraient d'être projetées à nouveau dans l'air ambiant. Utilisez un filtre à poussières fines à la place.
- Pour réduire le risque d'inhalation de vapeurs toxiques, n'aspirez pas de matériaux toxiques ou dangereux, et n'utilisez pas à proximité de tels matériaux.
- Cet aspirateur de liquides et de poussières n'est pas conçu pour emploi par des personnes (y compris des enfants) ayant des capacités physiques, sensorielles ou mentales réduites, ou qui n'ont pas l'expérience ou les connaissances nécessaires, sauf en cas de supervision ou d'instructions sur l'utilisation de cet appareil par une personne responsable de leur sécurité.
- Pour réduire le risque de choc électrique, n'exposez pas à la pluie et empêchez l'entrée de liquides dans le compartiment du moteur. Rangez à l'intérieur.
- Ne laissez pas les enfants se servir de l'aspirateur comme d'un jouet. Il faut surveiller de très près quand il est utilisé par des enfants ou à proximité d'enfants.
- N'utilisez pas avec un filtre déchiré ou sans avoir installé de filtre, sauf quand vous aspirez des liquides, comme cela est décrit dans ce Guide d'utilisation. Des débris secs capturés par

la roue risquent d'endommager le moteur ou d'être expulsés à nouveau dans l'air ambiant.

- Éteignez l'aspirateur avant de le débrancher.
- Pour réduire le risque de blessure pouvant être causée par une mise en marche accidentelle, débranchez le cordon d'alimentation avant de changer le filtre ou de le nettoyer.
- Ne débranchez pas en tirant sur le cordon. Pour débrancher, saisissez la fiche - pas le cordon.
- N'utilisez pas l'aspirateur avec une fiche, un cordon ou un autre composant endommagé. Si votre aspirateur ne fonctionne pas comme il faut, s'il manque des pièces, s'il quelqu'un l'a laissé tomber, s'il est endommagé, s'il a été laissé à l'extérieur ou s'il est tombé dans de l'eau, téléphonez au service d'assistance à la clientèle au 1-888-331-4569 (au Mexique 001-888-331-4569).
- Ne touchez pas la fiche, l'interrupteur ou l'aspirateur avec des mains mouillées.
- Ne tirez pas l'aspirateur et ne le portez pas par son cordon, n'utilisez pas le cordon pour servir de poignée, ne fermez pas une porte sur le cordon et ne laissez pas le cordon tendu passer sur des bords ou des coins tranchants. Ne traînez pas l'aspirateur sur son cordon. Maintenez le cordon à distance des surfaces chauffées.
- Utilisez seulement des cordons de rallonge qui sont conçus pour emploi à l'extérieur. Les cordons de rallonge en mauvais état ou dont les diamètres sont trop petits peuvent poser des risques d'incendie et de choc électrique. Pour réduire le risque de survenance de tels problèmes, vérifiez que le cordon est en bon état et qu'aucun liquide ne puisse entrer en contact avec la connexion. N'utilisez pas de cordon de rallonge avec des conducteurs de moins de 1,3 mm<sup>2</sup> (calibre 16 AWG) de diamètre.
- Cet aspirateur de liquides et de poussières a une double isolation, ce qui élimine le besoin d'un système de mise à la terre séparé. Utilisez seulement des pièces de rechange identiques. Lisez les instructions concernant l'entretien des aspirateurs de liquides et de poussières à double isolation avant toute opération d'entretien.
- Ne mettez aucun objet dans les orifices de ventilation. N'aspirez pas quand de quelconques orifices de ventilation sont obstrués; assurez-vous que ces orifices ne sont pas bloqués par de la poussière, de la peluche, des cheveux ou de quelconques objets pouvant réduire la circulation de l'air.
- Gardez les cheveux, les vêtements flottants, les doigts et toutes les parties du corps à distance des orifices et des pièces mobiles.
- Pour réduire le risque de chute, faites très attention lorsque vous utilisez l'aspirateur dans des escaliers.
- Pour réduire le risque de vous faire mal au dos ou de tomber, ne soulevez pas un aspirateur qui est lourd en raison de la présence de liquides ou de débris aspirés. Videz partiellement l'aspirateur en retirant des débris ou en drainant du liquide.
- Pour réduire le risque de blessure corporelle ou d'endommagement de l'aspirateur, n'utilisez que des accessoires compatibles avec la marque CRAFTSMAN.
- Lors d'une utilisation comme souffleuse :
  - Ne dirigez la décharge d'air que vers la zone de travail.
  - Ne dirigez pas l'air vers des personnes présentes à proximité.
  - Gardez les enfants à distance lors du fonctionnement de la soufflante.
  - N'utilisez la soufflante que pour souffler des saletés et des débris.
  - N'utilisez pas en guise de pulvérisateur.

- Pour réduire le risque de blessure pour les yeux, portez des lunettes de sécurité. L'utilisation de toute soufflante ou de tout aspirateur utilitaire peut toujours causer la projection de corps étrangers dans les yeux, ce qui risque d'entraîner des blessures graves aux yeux.
- Pour réduire le risque d'être frappé ou entraîné par un aspirateur en train de rouler, bloquez les roulettes lorsque vous utilisez l'aspirateur sur une surface inégale ou inclinée.

## ⚠ MISE EN GARDE :

- Pour réduire le risque de perte auditive, portez des protecteurs d'oreilles lorsque vous vous servez de l'aspirateur pendant plusieurs heures ou quand vous l'utilisez dans un endroit bruyant.
- Portez un masque antipoussières en cas d'utilisation dans un environnement poussiéreux.
- Les décharges statiques sont fréquentes dans les endroits secs ou lorsque l'humidité relative de l'air ambiant est faible. L'aspiration de débris fins avec votre aspirateur peut déposer une charge statique sur le tuyau ou sur l'aspirateur. La meilleure chose à faire pour réduire la fréquence des décharges statiques chez vous ou lorsque vous utilisez cet aspirateur consiste à ajouter de l'humidité dans l'air avec un humidificateur.

Observez les avertissements suivants qui figurent sur le carter du moteur de votre aspirateur :



DOUBLEMENT ISOLÉ. MISE À LA TERRE NON NÉCESSAIRE. POUR L'ENTRETIEN, N'UTILISEZ QUE DES PIÈCES DE RECHANGE IDENTIQUES.

## ⚠ AVERTISSEMENT :

- Pour votre propre sécurité, lisez et comprenez le manuel de l'opérateur.
- Ne laissez jamais l'aspirateur en marche sans surveillance.
- Ne ramassez pas de cendres chaudes, de charbon ou d'autres matières inflammables, combustibles/ auto-inflammables, toxiques ou dangereuses.
- Ne pas utiliser à proximité de vapeurs ou de liquides explosifs.

## ⚠ AVERTISSEMENT :

Pour réduire le risque de choc électrique – n'exposez pas à la pluie – rangez à l'intérieur.

### REPLACEMENT GRATUIT DE L'ÉTIQUETTE

**D'AVERTISSEMENT** : Si vos étiquettes d'avertissement deviennent illisibles ou sont manquantes, téléphonez au **1-888-331-4569** pour obtenir un remplacement gratuit.

# CONSERVER CES INSTRUCTIONS

## INTRODUCTION

Cet aspirateur de liquides et de poussières professionnel est conçu pour un emploi ménager. Il peut être utilisé pour aspirer des matières humides ou sèches, et il peut être utilisé comme soufflante.

Lisez ce manuel de l'opérateur pour vous familiariser avec les fonctions du produit et pour comprendre les particularités d'utilisation de votre nouvel aspirateur.

## TABLE DES MATIÈRES

Sujet	Page
Instructions importantes relatives à la sécurité	21-22
Introduction	22
Contenu de la boîte en carton	23
Installation	24-25
Ensemble de roulette/pied à roulette	24
Ensemble de pince pour tuyau flexible	24
Ensemble de poignée de transport	24
Ensemble de l'aspirateur	25
Insertion du tuyau	25
Rangement des accessoires	25
Fonctionnement	26-28
Fiche polarisée	26
Aspiration de matériaux secs	26
Aspiration de liquides	27
Vidage du tambour	27
Déplacement de l'aspirateur de liquides et de poussières	28
Silencieux / Diffuseur	28

Sujet	Page
Fonction de soufflante	29
Entretien	30-32
Filtre	30
Retrait et installation du filtre Qwik Lock™	30
Sac de filtration	31
Installation du sac de filtration	31
Retrait du sac de filtration	31
Nettoyage du filtre	32
Nettoyage d'un filtre sec	32
Nettoyage d'un filtre humide	32
Nettoyage et désinfection de l'aspirateur de liquides et de poussières	32
Roulettes	32
Rangement	32
Service après-vente / Pièces de rechange	33-35
Réparation de l'aspirateur de liquides et de poussières doublement isolé	33
Garantie	36

## CONTENU DE LA BOÎTE EN CARTON (Fig. B)

Lég.	Description	CMXEVEBE175840 22,5 Litres (6 Gallons)	CMXEVEBE175900 34 Litres (9 Gallons)	CMXEVEBE175940 45 Litres (12 Gallons)	CMXEVEBE175950 60 Litres (16 Gallons)	CMXEVEBE175960 75 Litres (20 Gallons)
A	Ensemble d'aspirateur	1	1	1	1	1
B	Ensemble de tuyau flexible	1	1	1	1	1
C	Suceur tout usage	1	1	1	1	1
D	Suceur humide	Non inclus	1	1	1	1
E	Suceur pour automobile	1	1	1	1	1
F	Suceur plat	Non inclus	Non inclus	Non inclus	Non inclus	1
G	Tubes de rallonge	2	2	2	2	2
H	Silencieux/diffuseur	Non inclus	Non inclus	Non inclus	Non inclus	1
I	Pied à roulette avec espace de rangement des accessoires	4	4	4	4	4
J	Roulette	4	4	4	4	4
K	Ensemble de pince pour tuyau flexible	Non inclus	Non inclus	2	2	2
L	Poignée de transport	1	1	1	1	1
M	Sac-filtre jetable après usage	1	1	1	1	1
N*	Filtre Qwik Lock	1	1	1	1	1
O	Guide d'utilisation	1	1	1	1	1

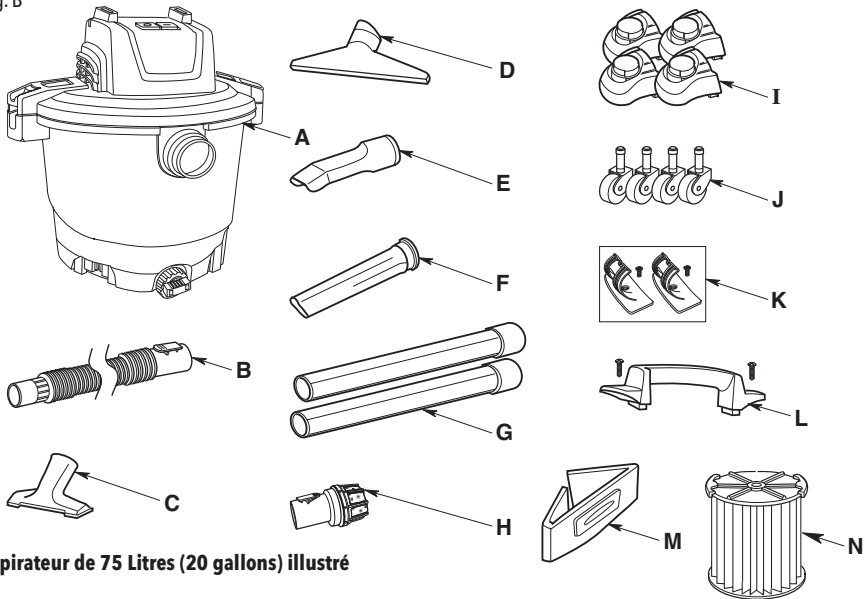
\*Ces articles peuvent être livrés déjà assemblés.

Il est possible que les images montrées ne reflètent pas la pièce réelle.

Retirez tous les éléments se trouvant dans la boîte en carton. Inspectez chaque élément en le comparant à la liste incluse dans la boîte en carton. Si de quelconques

composants sont endommagés ou manquants, téléphonez immédiatement au service clientèle au 1-888-331-4569 (au Mexique 001-881-331-4569).

Fig. B

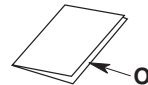


Aspirateur de 75 Litres (20 gallons) illustré

### Outils nécessaires :



Tournevis à pointe cruciforme

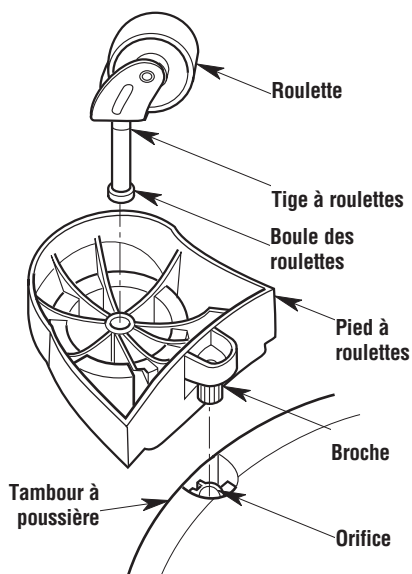


## INSTALLATION

### Ensemble de roulette/ pied à roulette (Fig. C)

1. Retirez l'ensemble de bloc-moteur du tambour à poussière et mettez-le de côté.
2. Retournez le tambour à poussière sens dessus-dessous sur le sol.
3. Insérez les pieds à roulette dans le bas du tambour, comme illustré (4 endroits).
4. Appuyez sur le pied à roulette jusqu'à ce que le pied soit au ras du bas du tambour à poussière.
5. Insérez la tige de la roulette dans la douille du pied à roulette, comme illustré (4 endroits).
6. Appuyez sur la roulette jusqu'à ce que la roulette sur la tige de la roulette soit insérée complètement dans la douille. Vous entendrez un déclic lorsque la roulette se met à sa place dans la douille et la roulette doit pouvoir pivoter facilement lorsque le positionnement est correct.
7. Remettez le tambour dans le bon sens.

Fig. C

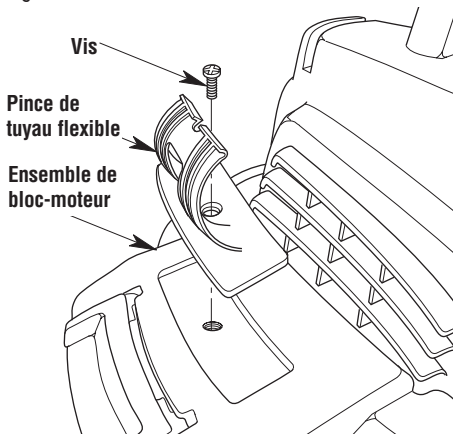


### Ensemble de pince pour tuyau flexible (Fig. D)

(Modèles CMXEVB175940,  
CMXEVB175950, CMXEVB175960)

1. Alignez les pinces des tuyaux flexibles dans les zones encastrées sur l'ensemble de bloc-moteur.
2. Insérez la vis et serrez pour assujettir la pince du tuyau flexible à l'ensemble de bloc-moteur.

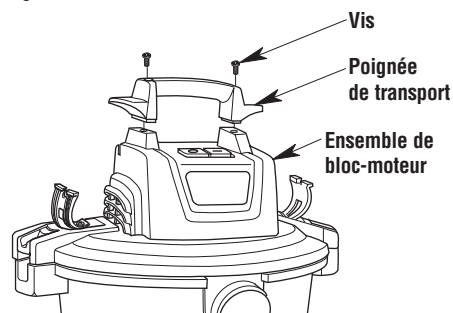
Fig. D



### Ensemble de poignée de transport (Fig. E)

1. Placez la poignée de transport sur l'ensemble de bloc-moteur de l'aspirateur de liquides et de poussières.
2. Serrez les deux vis pour monter la poignée de transport sur l'ensemble de bloc-moteur.

Fig. E



Aspirateur de 75 Litres (20 gallons) illustré



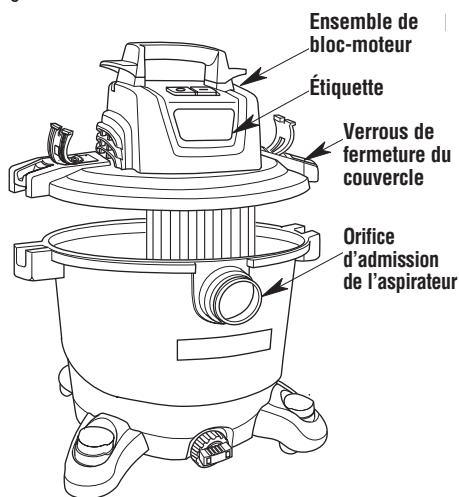
## Ensemble d'aspirateur (Fig. F)

1. Alignez l'avant (le côté de l'étiquette) de l'ensemble de bloc-moteur sur l'orifice d'admission de l'aspirateur situé à l'avant du tambour.

**REMARQUE :** L'ensemble de bloc-moteur doit être aligné sur le tambour pour que la fixation soit correcte.

2. Placez l'ensemble de bloc-moteur sur le dessus du tambour.
3. Assurez-vous que l'ensemble de bloc-moteur recouvre complètement le dessus du tambour pour prévenir tout risque de fuite.
4. Appuyez sur les verrous de fermeture du couvercle pour assujettir l'ensemble de bloc-moteur sur le tambour de façon sécurisée.
5. Pour retirer l'ensemble de bloc-moteur, commencez par débrancher l'appareil de la prise de courant électrique. Puis soulevez les verrous de fermeture du couvercle et retirez-le du tambour.

Fig. F



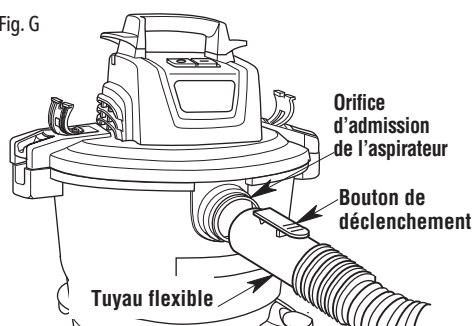
Aspirateur de 75 Litres (20 gallons) illustré

## Insertion du tuyau (Fig. G)

Insérez l'extrémité verrouillable de l'ensemble de tuyau flexible à l'intérieur de l'orifice d'admission de l'aspirateur. Un bruit sec indiquera que le tuyau est correctement en place.

Pour retirer le tuyau de l'aspirateur, appuyez sur le bouton de déclenchement situé sur l'ensemble de tuyau et tirez sur le tuyau afin de le faire sortir de l'orifice d'entrée de l'aspirateur, tel que cela est illustré.

Fig. G



Aspirateur de 75 Litres (20 gallons) illustré

## Rangement des accessoires (Fig. H)

Vos accessoires peuvent être conservés dans les pieds à roulette ou dans les espaces de stockage prévus sur l'ensemble de bloc-moteur (sur certains modèles seulement).

Le tuyau flexible peut également être rangé en l'enroulant autour de l'appareil et l'assujettissant au moyen des pinces prévues à cet effet (sur certains modèles seulement).

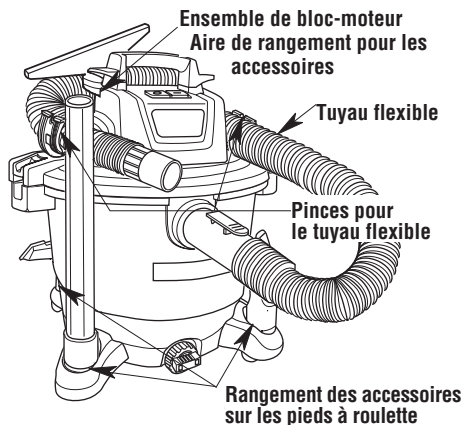
## ⚠ MISE EN GARDE :

*N'utilisez pas l'aspirateur alors que le tuyau flexible est toujours enroulé autour de l'ensemble de bloc-moteur dans la position de stockage.*

## ⚠ AVERTISSEMENT :

*Ne placez aucun objet dans les orifices de ventilation. N'aspirez pas quand l'un quelconque des orifices de ventilation est bouché ; ne laissez pas s'accumuler de la poussière, de la peluche, des cheveux ou tous autres objets qui pourraient réduire la circulation d'air.*

Fig. H



Aspirateur de 75 Litres (20 gallons) illustré

## FONCTIONNEMENT

### ⚠ AVERTISSEMENT :

**Pour réduire le risque d'incendie, d'explosion ou d'endommagement de l'aspirateur :**

- Ne laissez pas en marche pendant que vous êtes absent - vous vous risqueriez de manquer des signes importants indiquant un fonctionnement anormal, comme une perte de puissance d'aspiration, la sortie de débris ou de liquides par la bouche de soufflage d'air ou des bruits anormaux en provenance du moteur. Cessez immédiatement d'utiliser l'aspirateur si vous constatez de tels signes.
- Ne laissez pas l'aspirateur branché lorsque vous ne l'utilisez pas.
- Ne continuez pas à utiliser l'aspirateur lorsque le flotteur a coupé l'aspiration.
- Les étincelles à l'intérieur du moteur risqueraient de mettre feu à des matières inflammables en suspension dans l'air. Ne pas utiliser l'aspirateur à proximité de liquides inflammables ou à des endroits où il y a des gaz ou des vapeurs inflammables, ou de la poussière explosive dans l'air. Les liquides, gaz et vapeurs inflammables comprennent : essence à briquet, produits de nettoyage du type solvant, peinture à base d'huile, essence, alcool et aérosols. Types de poussières explosives : charbon, magnésium, aluminium, céréales et poudre noire.
- N'aspirez pas de poussières explosives, de liquides inflammables ou de cendres chaudes.
- Ne laissez pas de sciure ou de chiffons avec des taches ou des résidus de polyuréthane à l'intérieur du ventilateur. Videz le tambour après avoir aspiré ces matériaux susceptibles de causer une inflammation spontanée.

### ⚠ AVERTISSEMENT :

**Pour réduire le risque de choc électrique ou de blessure :**

- N'exposez pas à la pluie, et ne laissez pas de liquides pénétrer dans le compartiment du moteur. Rangez à l'intérieur.
- Ne touchez pas la fiche de branchement, l'interrupteur ou l'aspirateur si vous avez les mains mouillées.
- Débranchez l'aspirateur avant toute opération d'entretien sur celui-ci. Si votre aspirateur ne fonctionne pas comme il devrait, s'il manque des pièces, s'il est tombé par terre ou a été endommagé, s'il a été laissé à l'extérieur ou s'il est tombé dans de l'eau, téléphonez au service d'assistance à la clientèle au 1-888-331-4569 (Mexique : 001-888-331-4569).
- Lorsque vous utilisez un cordon de rallonge, n'utilisez qu'un cordon prévu pour emploi à l'extérieur et en bon état. Ne laissez pas la connexion entrer en contact avec des liquides.

### ⚠ MISE EN GARDE :

*Pour réduire le risque de dommages auditifs, portez des protège-oreilles lorsque vous utilisez l'aspirateur/souffleur pendant une période prolongée ou dans une zone bruyante.*

#### Fiche polarisée

Pour réduire le risque de choc électrique, cet appareil est muni d'une fiche polarisée (une lame est plus large que l'autre). Cette fiche n'est compatible avec une prise polarisée que dans un seul sens. Inverser la fiche si elle n'entre pas complètement dans la prise. Si elle n'entre toujours pas, prendre contact avec un électricien qualifié pour installer une prise de courant appropriée. Ne pas altérer la fiche de quelque manière que ce soit.

Avec le cordon d'alimentation branché, mettez l'aspirateur en marche en appuyant sur le « I » (en haut) sur l'interrupteur d'alimentation. Pour l'arrêter, appuyez sur le « O » (en bas) sur l'interrupteur d'alimentation. Les deux symboles internationaux qui figurent sur l'interrupteur indiquent, respectivement, la position de marche et la position d'arrêt de votre aspirateur.

○ = ARRÊT | = MARCHÉ

#### Aspiration de matériaux secs

1. Le filtre doit toujours être dans la position correcte afin d'éviter les fuites et de dommages à l'aspirateur.
2. Lors de l'utilisation de l'aspirateur pour ramasser des poussières très fines, il sera nécessaire de vider le tambour et de nettoyer le filtre à intervalles plus fréquents afin de continuer à bénéficier de la performance maximale de l'aspirateur.

**REMARQUE :** Un filtre sec est nécessaire pour ramasser des matériaux secs. Si l'aspirateur est employé pour ramasser de la poussière alors que le filtre est humide, le filtre se bouchera très vite et il sera ensuite très difficile à nettoyer.

## Aspiration de liquides

### **⚠ AVERTISSEMENT :**

*N'utilisez pas l'aspirateur sans la cage du filtre et le flotteur à leur place. Le flotteur empêche l'eau de pénétrer dans l'hélice et d'endommager le moteur. Pour le ramassage de matières sèches, n'utilisez pas l'aspirateur sans que le filtre ne soit en place afin de réduire le risque d'endommagement du moteur.*

### **⚠ AVERTISSEMENT :**

*Pour réduire le risque d'incendie ou d'explosion, n'aspirez pas de liquides, gaz ou poussières inflammables ou combustibles.*

1. Lors de l'aspiration de faibles volumes de liquide, le filtre peut être laissé à sa place.
2. Si vous avez l'intention d'aspirer de grandes quantités de liquide, nous vous recommandons de retirer le filtre. Si vous ne retirez pas le filtre, il se saturera et un embuage risquera de se produire dans le système d'évacuation.
3. Après que l'aspirateur aura été utilisé pour aspirer des liquides, il faudra sécher le filtre pour éviter la formation possible de moisissures et pour ne pas endommager le filtre.
4. Lorsque le liquide aspiré atteint un niveau prédéterminé dans le tambour, le flotteur s'élèvera automatiquement afin de couper la circulation de l'air. L'élévation du niveau du flotteur se remarque parce qu'elle correspond à l'arrêt de la circulation de l'air à l'intérieur de l'aspirateur et parce que le bruit du moteur devient alors plus aigu en raison de l'accélération de sa vitesse.

**IMPORTANT :** Pour réduire le risque d'endommager l'aspirateur, il ne faut pas faire fonctionner le moteur pendant que le flotteur est en position élevée.

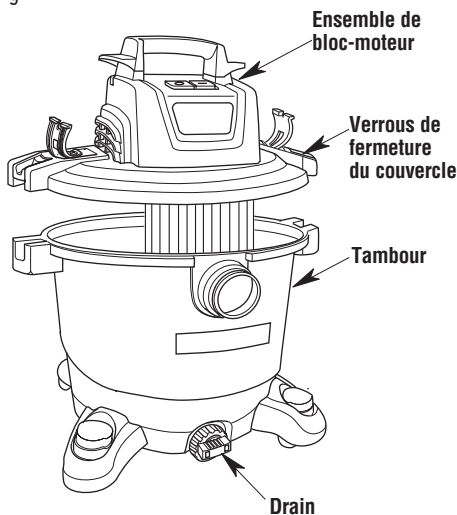
## Vidage du tambour (Fig. 1)

1. Retirez l'ensemble de bloc-moteur. Tirez sur les verrous pour le séparer du tambour.
2. Soulevez l'ensemble de bloc-moteur en l'éloignant du tambour.
3. Déposez l'ensemble de bloc-moteur sens dessus-dessous sur une surface propre pendant que vous videz le tambour.
4. Videz le contenu du tambour dans un récipient approprié pour l'élimination des déchets.
5. Si l'aspirateur comporte un drain, dévissez simplement le capuchon du drain et soulevez légèrement le côté opposé pour vider le tambour.

### **⚠ AVERTISSEMENT :**

*Pour réduire le risque de chute ou de blessure au dos il ne faut pas soulever un aspirateur plein de liquide ou de débris. Ramasser ou drainer suffisamment du contenu hors de l'aspirateur afin de rendre l'aspirateur assez léger pour le soulever confortablement.*

Fig. 1



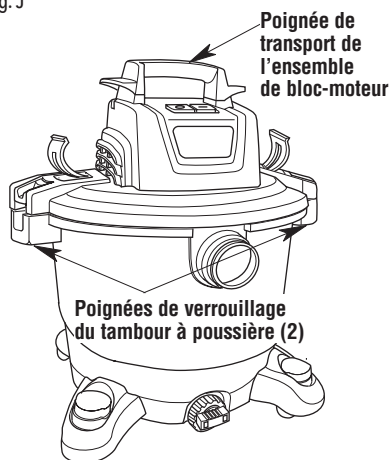
Aspirateur de 75 Litres (20 gallons) illustré

## Déplacement de l'aspirateur de liquides et de poussières (Fig. J)

S'il s'avère nécessaire de soulever l'aspirateur pour le déplacer, utilisez les poignées de verrouillage du tambour à poussière.

Pour manœuvrer l'aspirateur, la poignée de transport sur le dessus de l'ensemble de bloc-moteur doit être utilisée.

Fig. J



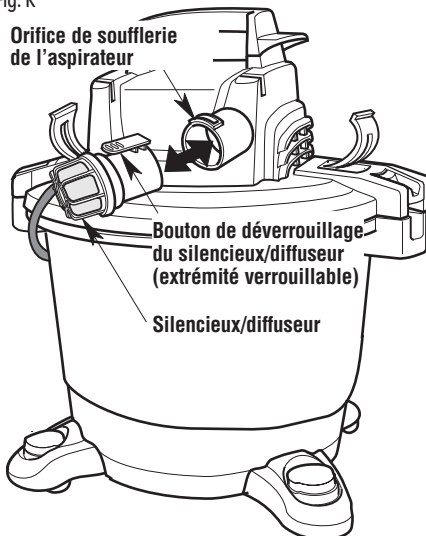
Aspirateur de 75 Litres (20 gallons) illustré

## Silencieux / Diffuseur (Fig. K)

En fonction de votre modèle, votre aspirateur peut être pourvu d'un silencieux/diffuseur. Insérez l'extrémité verrouillable du silencieux/diffuseur dans l'orifice de soufflerie de l'aspirateur, lorsque l'aspirateur n'est pas utilisé comme soufflante. Vous entendrez un déclic quand le silencieux/diffuseur est bien en place.

Pour retirer le silencieux/diffuseur de l'orifice de soufflerie, appuyez sur le bouton de déverrouillage du silencieux/diffuseur et détachez-le de l'orifice de soufflerie.

Fig. K



Aspirateur de 75 Litres (20 gallons) illustré

## Fonction de soufflante (Fig. L)

Votre aspirateur est muni d'un orifice de soufflante. Il permet de disperser la sciure et d'autres débris. Il peut souffler de la sciure de bois et autres débris. Suivre la procédure indiquée ci-dessous pour utiliser l'aspirateur comme une soufflerie.

1. Localiser l'orifice de soufflerie de l'aspirateur.
2. Insérez l'extrémité verrouillable de l'ensemble de tuyau flexible à l'intérieur de l'orifice de soufflerie de l'aspirateur. Un bruit sec indiquera que le tuyau est correctement en place.

Pour détacher le tuyau flexible de l'aspirateur, appuyez sur le bouton de déverrouillage dans l'ensemble de tuyau flexible et tirez sur le tuyau flexible pour le faire sortir de l'orifice de soufflerie de l'aspirateur.

3. (Facultatif) Fixez la baguette de rallonge sur l'extrémité opposée du tuyau, puis placez le suceur pour véhicules sur la baguette.
4. Mettre l'aspirateur en marche - l'aspirateur peut désormais être utilisé comme soufflerie.

## ⚠ AVERTISSEMENT :

*Il faut toujours porter des lunettes de protection conformes à la norme ANSI Z87.1 (ou, au Canada, CSA Z94.3) avant de se servir de l'aspirateur comme une soufflerie.*

## ⚠ AVERTISSEMENT :

*Pour ne pas risquer de causer des blessures à d'autres personnes, il est recommandé de leur demander de rester à distance suffisante des débris soufflés.*

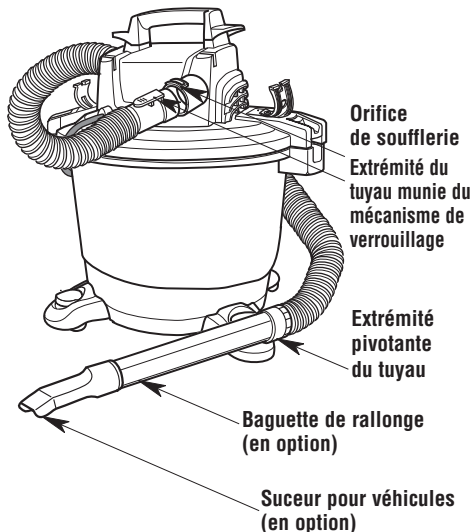
## ⚠ MISE EN GARDE :

*Portez un masque anti-poussière si votre soufflage crée de la poussière qui pourrait être aspirée.*

## ⚠ MISE EN GARDE :

*Pour réduire le risque d'endommagement de l'ouïe, portez des protecteurs d'oreilles quand vous utilisez l'aspirateur/la souffleuse pendant de longues périodes ou quand vous l'utilisez dans un environnement bruyant.*

Fig. L



Aspirateur de 75 Litres (20 gallons) illustré

## ENTRETIEN

### Filtre

#### **⚠ AVERTISSEMENT :**

*Pour réduire le risque de blessure en raison d'une mise en marche accidentelle, débrancher le cordon électrique avant de remplacer le filtre ou de le nettoyer.*

**REMARQUE :** Le filtre est fait de papier de qualité élevée conçu pour intercepter les très petites particules de poussière. Le filtre peut être utilisé pour le ramassage de matière sèche ou de petits volumes de liquides. Manipuler le filtre avec précaution lors de son nettoyage ou de son installation. Les plis du filtre peuvent être froissés pendant l'installation, mais cela n'aura aucune influence sur la performance du filtre.

#### **Retrait et installation du filtre Qwik Lock™ (Fig. M)**

**IMPORTANT :** Pour réduire le risque d'endommager le moteur et la roue de la soufflerie, toujours réinstaller le filtre avant d'utiliser l'aspirateur pour ramasser des matériaux secs.

#### **Retrait du filtre**

1. Saisissez les deux languettes du filtre Qwik Lock™, une dans chaque main.
2. Placez un pouce sur le goujon Qwik Lock™, qui dépasse de la plaque de filtre intégrée, tirez sur les languettes du filtre et appuyez en même temps sur le goujon.
3. Cette action aura pour effet que le filtre sera relâché de la cage du filtre. Faites glisser le filtre pour le sortir de la cage.

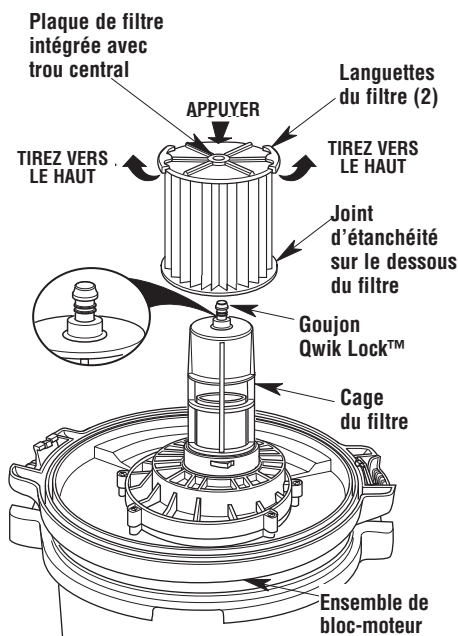
#### **⚠ AVERTISSEMENT :**

*N'utilisez pas l'aspirateur sans la cage du filtre et le flotteur à leur place. Le flotteur empêche l'eau de pénétrer dans l'hélice et d'endommager le moteur.*

#### **Installation du filtre**

1. Faites glisser délicatement le filtre Qwik Lock™ en dessus de la cage du filtre et appuyez sur le bord extérieur du filtre jusqu'à ce que le joint d'étanchéité en caoutchouc au fond du filtre repose de manière sécurisée autour de la base de la cage du filtre et contre l'ensemble de bloc-moteur.
2. Alignez le petit trou central sur le dessus du filtre au-dessus du goujon Qwik Lock™ sur la cage du filtre. Appuyez fermement sur le dessus du filtre, à proximité du goujon, pour permettre au filtre de s'emboîter sur l'embout sphérique du goujon. Le filtre est maintenant installé.

Fig. M



**REMARQUE :** Si vous n'installez pas correctement le joint d'étanchéité du dessous, il est possible que des débris passent à côté du filtre.

## Sac de filtration

### ⚠ AVERTISSEMENT :

Pour vous protéger contre les risques pour la santé résultant de l'inhalation de vapeurs ou de poussière, n'aspirez pas de matières toxiques ou cancérigènes, ou d'autres matières dangereuses, comme l'amiante, l'arsenic, le baryum, le béryllium, le plomb, des pesticides ou d'autres.

### ⚠ MISE EN GARDE :

Pour éviter les débris épars, lors du ramassage de matériaux lourds ou tranchants, contrôler le volume de remplissage du sac et arrêtez l'aspiration avant que le sac ne soit trop plein.

### Installation du sac de filtration (Fig. N)

Un sac-filtre peut être utilisé à la place du filtre à cartouche Qwik Lock™ ou en plus de celui-ci.

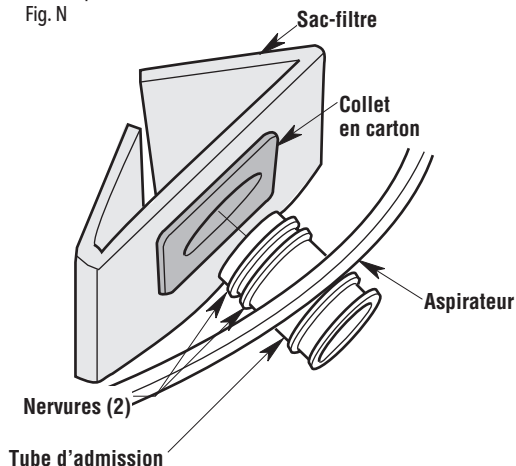
Des sacs filtrants de rechange sont disponibles :

**REMARQUE :** Voir la liste des pièces de rechange pour le numéro de pièce.

**REMARQUE :** Un sac-filtre ou un filtre à cartouche doit être installé correctement lorsque vous ramassez des débris secs.

1. Un sac-filtre ne doit être utilisé que pour le ramassage de débris secs.
2. Le positionnement correct du collet en carton est nécessaire pour assurer l'étanchéité requise.
3. Localisez deux nervures sur le tube d'admission, à l'intérieur du tambour.
4. Faites glisser le collet en carton sur le tube d'admission et positionnez le collet en carton entre les deux nervures.
5. Après avoir installé le collet en carton de façon sécurisée, dépliez et positionnez le sac-filtre à l'intérieur du tambour, tel qu'illustré.

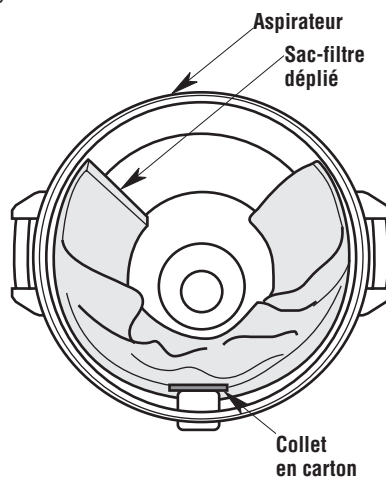
Fig. N



### Retrait du sac de filtration (Fig. O)

1. Faites glisser le collet en carton vers le centre du tambour de l'aspirateur.
2. Retirez le sac-filtre du tambour de l'aspirateur et jetez-le.
3. Installez un nouveau sac-filtre.

Fig. O



## Nettoyage du filtre

Il faut nettoyer souvent le filtre pour ne pas affecter la performance optimale de l'aspirateur.

## Nettoyage d'un filtre sec

1. Le retrait de certains débris secs peut être accompli sans enlever le filtre de l'aspirateur. Donner un coup avec la main sur la partie supérieure de l'ensemble de bloc-moteur pendant que l'aspirateur est à l'arrêt.
2. Pour obtenir les meilleurs résultats lors du nettoyage après l'accumulation de poussière, nettoyez le filtre dans un endroit non clos. Le nettoyage DOIT être effectué à l'extérieur - pas dans des locaux d'habitation.
3. Après avoir retiré le filtre de l'aspirateur, retirer les débris secs, en tapotant doucement le filtre contre la paroi intérieure du tambour à poussière. Les débris se détacheront et tomberont.
4. Pour effectuer un nettoyage complet du filtre sec lorsqu'il est couvert de particules très fines (pas de débris), faire couler de l'eau à travers le filtre comme indiqué sous la rubrique « Nettoyage d'un filtre humide ».

## Nettoyage d'un filtre humide

Une fois le filtre retiré, faites couler de l'eau au travers du filtre à l'aide d'un tuyau d'arrosage ou d'un robinet. Veillez à ce que la pression de l'eau sortant du tuyau d'arrosage ne soit pas si forte qu'elle pourrait endommager le filtre.

**IMPORTANT** : Inspecter le filtre après le nettoyage pour s'assurer qu'il n'est pas déchiré ou troué. Des déchirures et des trous dans le filtre pourraient causer l'éjection dans l'air ambiant de débris et de poussière se trouvant dans l'aspirateur. Ne pas utiliser un filtre déchiré ou troué. Remplacer le filtre immédiatement dans ce cas.

Laissez le filtre sécher avant de le réinstaller et de ranger l'aspirateur ou de l'utiliser pour ramasser des débris.

## Nettoyage et désinfection de l'aspirateur de liquides et de poussières

Pour conserver l'esthétique optimale de votre aspirateur de poussières et de liquides, nettoyez la surface extérieure de l'aspirateur à l'aide d'un chiffon imbibé d'eau tiède savonneuse.

Procédure de nettoyage du tambour :

1. Vider les débris.
2. Nettoyez soigneusement le tambour à poussière à l'aide d'un savon doux et d'eau tiède.
3. Essuyer avec un chiffon sec.

Avant de ranger l'aspirateur pour une période prolongée, ou dans les cas nécessaires (par exemple après l'aspiration d'eaux usées), vous devez désinfecter le tambour.

Pour désinfecter le tambour :

1. Versez 4 litres (1 gallon) d'eau et 5 ml (1 cuillerée) à thé de produit de blanchiment au chlore dans le tambour.
2. Laissez la solution agir pendant 20 minutes, en remuant doucement de temps à autre pour vous assurer que toutes les surfaces du tambour restent humides.
3. Videz le tambour au bout de 20 minutes. Rincez à l'eau jusqu'à ce que l'odeur d'eau de javel ait disparu. Laissez sécher le tambour complètement avant de sceller le moteur sur le tambour.

## Roulettes

Si les roulettes sont bruyantes, vous pouvez mettre une goutte d'huile sur l'arbre porte-galet pour atténuer le bruit.


## Rangement

Avant de ranger votre aspirateur, vous devez vider et nettoyer le tambour. Le cordon d'alimentation doit être enroulé autour de la poignée de transport et le tuyau flexible doit être rangé conformément à ce qui est décrit dans ce Guide d'utilisation. Vous devez garder les accessoires au même endroit que l'aspirateur de façon à pouvoir y accéder facilement. Vous devez ranger l'aspirateur à l'intérieur d'un bâtiment.

## AVERTISSEMENT :

*Pour assurer la SÉCURITÉ et la FIABILITÉ du produit, toutes les autres opérations de maintenance, de réparation et de réglage doivent être effectuées par des centres de service agréés utilisant toujours des pièces de rechange CRAFTSMAN.*

## AVERTISSEMENT : RÉPARATION DE L'ASPIRATEUR DE LIQUIDES ET DE POUSSIÈRES DOUBLEMENT ISOLÉ

Dans un aspirateur de liquides et de poussières doublement isolé, deux systèmes d'isolation sont fournis au lieu de la mise à la terre. Aucun moyen de mise à la terre n'est prévu sur un appareil électro-ménager doublement isolé, et il ne faut pas en ajouter. La réparation d'un aspirateur de liquides et de poussières doublement isolé nécessite une connaissance approfondie du système et la prise de précautions extrêmes. Une telle réparation ne doit être entreprise que par un technicien agréé. Les pièces de rechange pour un aspirateur de liquides et de poussières doublement isolé doivent être les mêmes que les pièces qu'elles remplacent. Les mots « DOUBLE INSULATED » (Doublement isolé) figurent sur l'aspirateur de liquides et de poussières doublement isolé, et le symbole  (un carré à l'intérieur d'un autre carré) peut également figurer sur les appareils.

Pour réduire le risque de blessure, débranchez le cordon d'alimentation avant toute opération de maintenance/réparation de l'aspirateur de liquides et de poussières.



## SERVICE APRÈS-VENTE / PIÈCES DE RECHANGE

**Aspirateur de liquides et de poussières  
de 22,5 Litres (6 Gallons)  
Modèle N° CMXEVB175840**

**Caractéristiques électriques nominales :  
120 V~ 7,5 A 60 Hz**

**Aspirateur de liquides et de poussières  
de 34 Litres (9 Gallons)  
Modèle N° CMXEVB175900**

**Caractéristiques électriques nominales :  
120 V~ 8,3 A 60 Hz**

**Aspirateur de liquides et de poussières  
de 45 Litres (12 Gallons)  
Modèle N° CMXEVB175940**

**Caractéristiques électriques nominales :  
120 V~ 10,5 A 60 Hz**

**Aspirateur de liquides et de poussières  
de 60 Litres (16 Gallons)  
Modèle N° CMXEVB175950**

**Caractéristiques électriques nominales :  
120 V~ 12 A 60 Hz**

**Aspirateur de liquides et de poussières  
de 75 Litres (20 Gallons)  
Modèle N° CMXEVB175960**

**Caractéristiques électriques nominales :  
120 V~ 12 A 60 Hz**

N° de lég.	22,5 L / 6 Gal. CMXEVB175840	34 L / 9 Gal. CMXEVB175900	45 L / 12 Gal. CMXEVB175940	50 L / 16 Gal. CMXEVB175950	75 L / 20 Gal. CMXEVB175960	Description
1	841579-1	841579-1	841579-1	841579-1	841579-1	Interrupteur
2	510700	510700	510701	510701	510701	Poignée du haut & matériel de fixation (2 vis)
3	510702	510703	510704	510705	510706	Couvercle du moteur avec étiquettes
4	829719-17	829719-17	829719-14	829719-17	829719-17	Cordon avec borne
5	841522	841522	841364	841364-1	841364-1	Conduit d'échappement
6	832630	832630	Non inclus	Non inclus	Non inclus	Joint d'étanchéité supérieur du moteur
7	841655	841455	829693-1	510379	510379	Ensemble de moteur
8	841517	Non inclus	Non inclus	Non inclus	Non inclus	Joint d'étanchéité inférieur du moteur
9	Non inclus	Non inclus	819260-13	819260-13	819260-13	Ensemble de tête
10	Non inclus	Non inclus	818961	818961	818961	Entretoise
11	Non inclus	Non inclus	818413-2	818413	818413	Roue de soufflerie
12	Non inclus	Non inclus	315534-1	315534-1	315534-1	Rondelle
13	Non inclus	Non inclus	826817	826817	826817	écrou, bride de fixation hexagonale, 5/16-18
14	Non inclus	Non inclus	820563-5	820563-5	820563-5	Vis, tête cylindrique de type AB, sér. 10x32mm (1-1/4)
15	841521-1	841521-1	510559	510567	510567	Couvercle / ensemble de couvercle
16	Non inclus	Non inclus	510582	510582	510582	Ensemble de pinces pour tuyau flexible avec les vis
17	Non inclus	Non inclus	841265	841265	841265	Verrou de fermeture du couvercle
18	820563-4	820563-4	820563-4	820563-4	820563-4	Vis, tête cylindrique de type AB, sér. 10x20mm (3/4)
19	841454	841454	840321	840321	840321	Collecteur
20	833521-1	833521-1	823201-2	823201-2	823201-2	Ensemble de cage de filtre
21	CMXZVBE38754	CMXZVBE38754	CMXZVBE38754	CMXZVBE38754	CMXZVBE38754	Filtre de rechange
22	842913	510707	510708	510709	510710	Tambour
23	832836	832836	828460	828460	828460	Pied à roulette avec espace de rangement
24	73137	73137	73102	73102	73102	Roulette
25	CMXZVBE38676	CMXZVBE38676	CMXZVBE38630	CMXZVBE38630	CMXZVBE38630	Suceur tout usage
26	CMXZVBE38681	CMXZVBE38681	CMXZVBE38620	CMXZVBE38620	CMXZVBE38620	Suceur pour automobile
27	CMXZVBE38675	CMXZVBE38675	CMXZVBE38606	CMXZVBE38606	CMXZVBE38606	Tube de rallonge
28	CMXZVBE38761	CMXZVBE38761	CMXZVBE38763	CMXZVBE38763	CMXZVBE38763	Ensemble de tuyau flexible
29	CMXZVBE39970	CMXZVBE39970	CMXZVBE38735	CMXZVBE38749	CMXZVBE38749	Sac-filtre jetable après usage
30	Non inclus	73185	73185	73185	73185	Capuchon de l'orifice de drainage
31	Non inclus	CMXZVBE38683	CMXZVBE38621	CMXZVBE38621	CMXZVBE38621	Suceur humide
32	Non inclus	Non inclus	Non inclus	Non inclus	CMXZVBE37035	Suceur plat
33	Non inclus	Non inclus	Non inclus	Non inclus	CMXZVBE38660	Diffuseur
34	SP7075	SP7075	SP7075	SP7075	SP7075	Guide d'utilisation

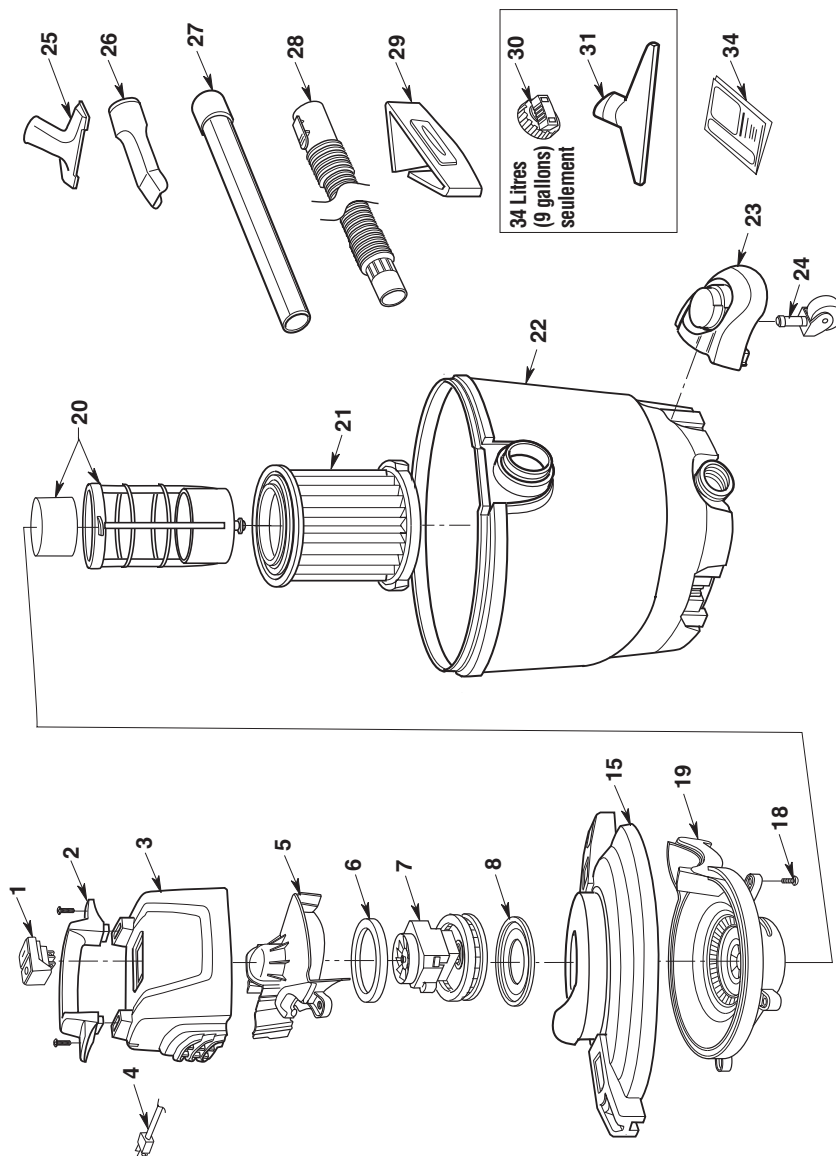
**Aspirateur de liquides et de  
poussières de 22,5 Litres (6 Gallons)  
Modèle N° CMXEVB175840**

**OU Aspirateur de liquides et de  
poussières de 34 Litres (9 Gallons)  
Modèle N° CMXEVB175900**

**⚠ AVERTISSEMENT :** Pour réduire le risque de blessure, débranchez le cordon d'alimentation avant toute opération de maintenance/réparation de l'aspirateur de liquides et de poussières.

**⚠ AVERTISSEMENT :** Toutes les opérations de démontage et de réparation doivent être effectuées par des techniciens compétents.

**Pour commander, utiliser toujours le numéro de pièce - pas le numéro de légende**



Aspirateur de liquides et de  
poussières de 45 Litres  
(12 Gallons)

Modèle N° CMXEVB175940

OU

Aspirateur de liquides et de  
poussières de 60 Litres  
(16 Gallons)

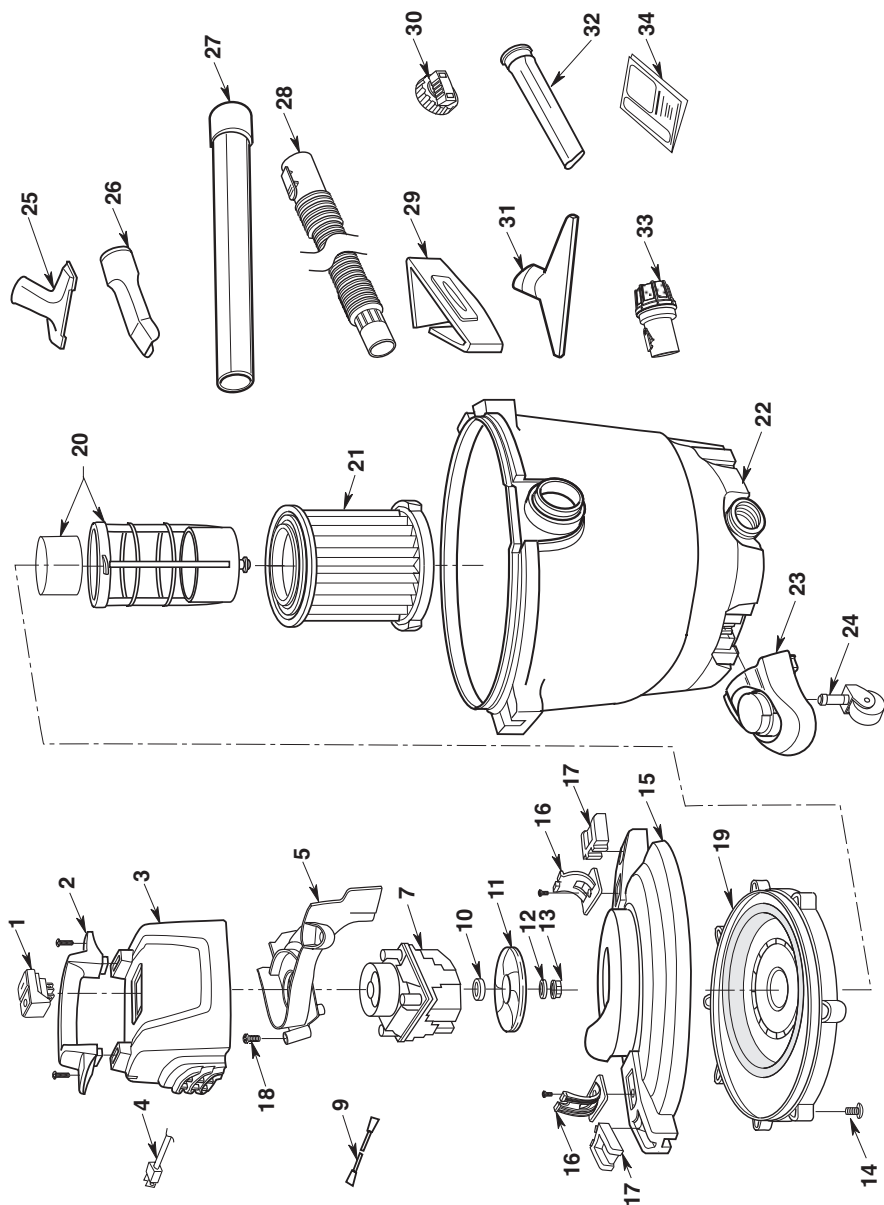
Modèle N° CMXEVB175950

OU

Aspirateur de liquides et de  
poussières de 75 Litres  
(20 Gallons)

Modèle N° CMXEVB175960

Pour commander, utiliser toujours le numéro de pièce - pas le numéro de légende



## GARANTIE LIMITÉE CRAFTSMAN® - 3 ANS

La présente garantie limitée est accordée par Emerson Tool Company, une division d'Emerson Electric Co. (« Nous » ou « Notre » ou « Nos »), au consommateur propriétaire d'origine (« Client » ou « Vous » ou « Votre » ou « Vos ») du produit CRAFTSMAN avec lequel cette garantie limitée est accordée (le « Produit CRAFTSMAN »).

### Ce qui est couvert

Nous Vous garantissons que Votre Produit CRAFTSMAN ne comporte aucun défaut de matériau ou de façon quand il est utilisé dans des conditions normales conformément aux dispositions du Guide d'utilisation qui Vous a été fourni avec le Produit CRAFTSMAN, sous réserve des exclusions décrites ci-dessous, pour une durée de trois ans commençant à la date de l'achat par Vous (la « Période de garantie »). La présente garantie limitée prend fin automatiquement si l'acheteur d'origine cède le Produit CRAFTSMAN à une autre personne ou entité.

### Ce qui n'est pas couvert

La présente garantie limitée ne couvre pas ce qui suit et exclut expressément :

- L'usure normale et/ou les attachements ou accessoires de rechange, y compris, sans toutefois s'y limiter, les cordons d'alimentation, les tuyaux flexibles, les filtres et les autres attachements ou accessoires qui peuvent être vendus par Nous en vue d'emploi avec le Produit CRAFTSMAN.
- L'endommagement ou la détérioration du moteur du Produit CRAFTSMAN résultant du fait qu'un blocage clair survenu pendant le fonctionnement normal n'a pas été éliminé.
- La perte ou l'endommagement du Produit CRAFTSMAN en conséquence de conditions qui sont au-delà de Notre contrôle, y compris, sans toutefois s'y limiter, une utilisation non conforme aux instructions, un accident, un abus, de la négligence, une faute (par quiconque autre que Nous), une utilisation excessive au-delà de la capacité prévue et indiquée dans le Guide d'utilisation, ou des modifications ou des altérations effectuées par quiconque autre que Nous.
- La perte ou l'endommagement du Produit CRAFTSMAN en conséquence du fait que le Produit CRAFTSMAN n'a pas été utilisé conformément aux instructions ou directives écrites, ou aux conditions et modalités figurant dans le Guide d'utilisation.
- DANS LA MESURE AUTORISÉE PAR LA LOI, NOUS N'ASSUMERONS AUCUNE RESPONSABILITÉ EN CAS DE DOMMAGES SECONDAIRES, SPÉCIAUX, INDIRECTS OU ACCESSOIRES, Y COMPRIS DES PERTES ÉCONOMIQUES, EN CONSÉQUENCE DE L'ABSENCE DE FONCTIONNEMENT, DE L'UTILISATION, D'UNE UTILISATION ABUSIVE OU DE L'IMPOSSIBILITÉ D'UTILISATION DU PRODUIT CRAFTSMAN, OU POUR DES NÉGLIGENCE D'ETC.

### Comment faire valoir ses droits à la garantie

États-Unis et Canada - Pour obtenir le bénéfice de la garantie, contactez-nous par un appel gratuit au 1-888-331-4569 (au Mexique : 001-888-331-4569). Nous vous orienterons vers le centre de service après-vente le plus proche pour que vous puissiez y faire examiner votre aspirateur gratuitement pour une inspection, des réparations ou le remplacement de composants. Mexique - Pour obtenir le bénéfice de la garantie, contactez-nous par un appel gratuit au 001-888-331-4569. Nous vous orienterons vers le centre de service après-vente le plus proche pour que vous puissiez y faire examiner votre aspirateur gratuitement pour une inspection, des réparations ou le remplacement de composants.

### Aucune autre garantie ne s'applique

La présente garantie limitée est la garantie unique et exclusive qui Vous est accordée. Aucune autre garantie expresse, écrite ou verbale, ne s'applique, y compris, SANS LIMITATION, DES GARANTIES DE QUALITÉ MARCHANDE OU D'ADÉQUATION À UN BUT PARTICULIER. Aucun employé, agent, distributeur ou autre personne n'est autorisé à altérer cette garantie limitée ou à accorder une quelconque autre garantie en Notre nom.

### Ce que ferons pour résoudre les problèmes

VOTRE REMÈDE UNIQUE ET EXCLUSIF EN VERTU DE LA PRÉSENTE GARANTIE LIMITÉE EST LIMITÉ À LA RÉPARATION, AU REMPLACEMENT OU AU REMBOURSEMENT DU PRODUIT CRAFTSMAN.

Après que vous aurez contacté le département du service à la clientèle pour le Produit CRAFTSMAN, Nous engagerons la procédure d'application de la garantie, y compris un examen physique, sous réserve des exclusions et des limites de la Période de garantie énoncées aux présentes, afin de déterminer si nous allons réparer ou remplacer le Produit CRAFTSMAN, ou Vous proposer un remboursement.

La décision de réparation ou de remplacement de Votre Produit CRAFTSMAN, ou de remboursement, est à notre discrétion exclusive. Les réparations ou remplacements qui Vous sont accordés par ETC sont gratuits pour Vous s'ils sont couverts par la présente garantie limitée.

Si Nous ne sommes pas en mesure de Vous fournir un Produit CRAFTSMAN réparé de façon approprié ou de remplacement, Nous Vous accorderons un remboursement égal au prix d'achat de Votre Produit CRAFTSMAN ou un crédit à utiliser vers l'achat d'un nouveau Produit CRAFTSMAN.

En cas de litige entre le CLIENT et NOUS, l'une quelconque des parties peut décider de faire résoudre le problème par voie d'arbitrage obligatoire. CELA SIGNIFIE QUE SI LE CLIENT CHOISIT OU NOUS CHOISSONS UN ARBITRAGE OBLIGATOIRE, AUCUNE DES PARTIES N'AURA LE DROIT D'INTENTER UNE ACTION EN JUSTICE DEVANT UN TRIBUNAL OU DE DEMANDER UN JUGEMENT PAR JURY. LES DROITS D'OBLIGATION DE SOUMISSION DE DOCUMENTS ET D'APPEL SONT LIMITÉS.

La présente garantie limitée vous confère des droits légaux spécifiques, et vous disposez peut-être aussi d'autres droits, qui varient en fonction de l'État ou de la province où Vous résidez. Étant donné que certains États et certaines provinces ne permettent pas l'exclusion des dommages indirects ou secondaires, il se peut que la limitation ci-dessus ne s'applique pas.



**CRAFTSMAN®**

is a registered trademark of Stanley Black & Decker, Inc., used under license.  
es una marca registrada de Stanley Black & Decker, Inc., utilizada bajo licencia.  
est une marque déposée de Stanley Black & Decker, Inc., utilisée sous licence.

© 2019 CRAFTSMAN

Product Manufactured by:	EMERSON TOOL COMPANY
Producto fabricado por:	8100 W. Florissant • St. Louis, MO 63136
Produit fabriqué par :	U.S. & Canada Only • É.-U. et Canada seulement • EE.UU. y Canadá solamente



## Definiciones: Símbolos y palabras de alerta de seguridad

Este manual de instrucciones utiliza los siguientes símbolos y palabras de alerta de seguridad para alertarle a usted de situaciones peligrosas y su riesgo de lesiones corporales o daños materiales.

**⚠ PELIGRO:** Indica una situación peligrosa que, si no se evita, *causará la muerte o lesiones graves.*

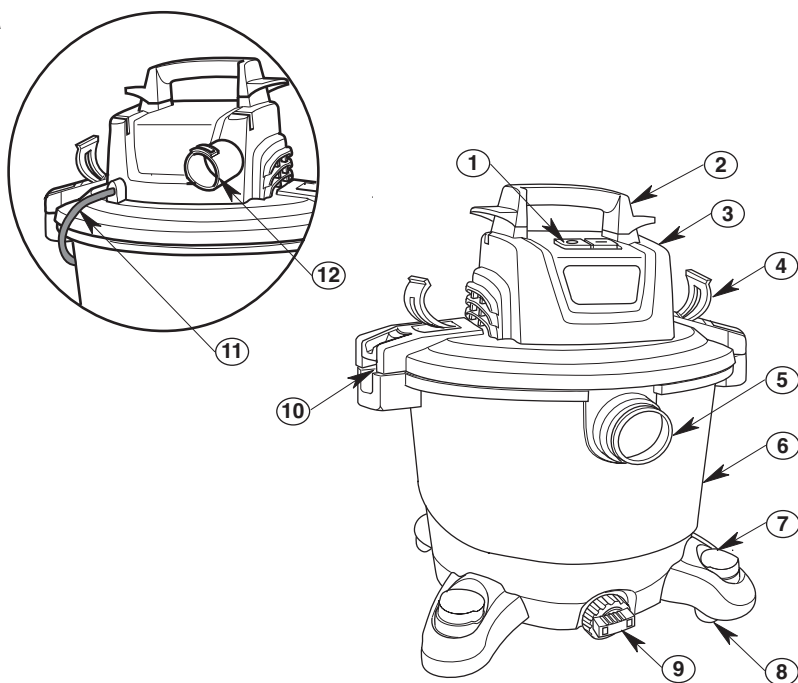
**⚠ ADVERTENCIA:** indica una situación potencialmente peligrosa que, si no se evita, *podría causar la muerte o lesiones graves.*

**⚠ PRECAUCIÓN:** Indica una situación peligrosa que, si no se evita, *es posible que cause lesiones leves o moderadas.*

**⚠** (Utilizado sin palabra) Indica un mensaje relacionado con la seguridad.

**AVISO:** Indica una práctica no relacionada con lesiones corporales que, si no se evita, *es posible que cause daños materiales.*

Fig. A



### Componentes

- ① Interruptor de ENCENDIDO y APAGADO
- ② Asa de transporte/enrollador del cable de alimentación
- ③ Ensamblaje del cabezal del motor
- ④ Clips de almacenamiento de la manguera
- ⑤ Orificio de entrada
- ⑥ Tambor para polvo
- ⑦ Pie de ruedecilla con área de almacenamiento
- ⑧ Ruedecilla
- ⑨ Drenaje
- ⑩ Pestillo del tambor
- ⑪ Cable de alimentación
- ⑫ Orificio de soplado

**⚠ ADVERTENCIA:** Lea todas las advertencias de seguridad y todas las instrucciones. Si no se siguen las advertencias e instrucciones, es posible que el resultado sea descargas eléctricas, incendio y/o lesiones graves.

**⚠ ADVERTENCIA:** No modifique nunca el producto ni ninguna parte del mismo. El resultado de hacerlo podría ser daños o lesiones corporales.

**⚠ ADVERTENCIA:** Para reducir el riesgo de lesiones, lea el manual de instrucciones.

Si tiene preguntas o comentarios sobre este o cualquier otro producto, llame gratis a CRAFTSMAN al: **1-888-331-4569.**

# INSTRUCCIONES DE SEGURIDAD IMPORTANTES

Cuando utilice esta aspiradora, siga siempre las precauciones básicas de seguridad, incluyendo las siguientes:

## **⚠️ ADVERTENCIA:** Para reducir el riesgo de incendio, sacudidas eléctricas o lesiones:

- Lea y entienda este Manual de instrucciones y todas las etiquetas que están colocadas en la aspiradora antes de utilizarla.
- Utilice la aspiradora únicamente de la manera que se describe en este manual.
- No deje la aspiradora en marcha mientras esté desatendida. Usted podría no notar señales importantes que indiquen un funcionamiento anormal, tal como pérdida de succión, residuos o líquido que salen por el escape o ruidos anormales del motor. Deje de usar la aspiradora inmediatamente si observa estas señales.
- No abandone la aspiradora cuando esté enchufada. Desenchúfela del tomacorriente cuando no la esté utilizando y antes de realizar servicio de revisión.
- Las chispas que se producen en el interior del motor pueden incendiar los vapores inflamables o el polvo. Para reducir el riesgo de incendio o explosión: No use la aspiradora cerca de líquidos, gases, o polvos combustibles tales como gasolina u otros combustibles, líquido encendedor, limpiadores, pinturas a base de aceite, gas natural, polvo de carbón, polvo de magnesio, polvo de granos de cereal, polvo de aluminio o pólvora.
- No recoja con la aspiradora nada que esté ardiendo o humeando, como cigarrillos, fósforos o cenizas calientes.
- Para evitar el riesgo de autoignición de los residuos contenidos en el tambor, vacíe el tambor después de cada uso. Los materiales combustibles tales como los trapos y el aserrín, especialmente si contienen tinte para madera o uretano, pueden ser causas de dicho sobrecalentamiento.
- No recoja con la aspiradora polvo de pared de yeso ni ceniza fría de chimenea o otros polvos finos con un filtro estándar. Estos materiales pueden pasar por el filtro y ser expulsados de vuelta al aire. Utilice un filtro para polvo fino en lugar de un filtro estándar.
- Para reducir el riesgo de inhalar vapores tóxicos, no recoja con la aspiradora materiales tóxicos o peligrosos ni la use cerca de dichos materiales.
- Esta aspiradora mojado/seco no se destina para utilizarse por personas (incluyendo niños) cuyas capacidades físicas, sensoriales o mentales sean diferentes o estén reducidas, o carezcan de experiencia o conocimiento, a menos que dichas personas reciban una supervisión o capacitación para el funcionamiento del aparato por una persona responsable de su seguridad.
- Para reducir el riesgo de descargas eléctricas, no exponga la aspiradora a la lluvia ni deje que entren líquidos en el compartimiento del motor. Guarde la aspiradora en un lugar interior.
- No permita que la aspiradora se utilice como un juguete. Se necesita prestar máxima atención cuando sea utilizada por niños o cerca de éstos.
- No use la aspiradora con un filtro desgarrado o sin tener el filtro instalado, excepto cuando recoja con ella líquidos de la manera que se describe en este manual. Los residuos secos absorbidos por el impulsor podrían dañar el motor o ser expulsados de vuelta al aire.

- Apague la aspiradora antes de desenchufarla.
- Para reducir el riesgo de lesiones debidas a un arranque accidental, desenchufe el cordón de energía antes de cambiar o limpiar el filtro.
- No desenchufe la aspiradora tirando del cordón. Para desenchufarla, agarre el enchufe y no el cordón.
- No use la aspiradora con el cordón dañado, el enchufe dañado u otras piezas dañadas. Si la aspiradora no funciona como debe, le faltan piezas, se ha caído, ha sido dañada, se ha dejado a la intemperie o se ha caído al agua, llame a servicio al cliente al 1-888-331-4569 (México 001-888-331-4569).
- No maneje el enchufe, el interruptor o la aspiradora con las manos mojadas.
- No tire de la aspiradora usando el cordón ni la lleve por el cordón, ni use el cordón como asa, ni cierre una puerta sobre el cordón, ni tire del cordón alrededor de bordes o esquinas afilados. No pase la aspiradora en marcha sobre el cordón. Mantenga el cordón alejado de las superficies calientes.
- Utilice únicamente cordones de extensión que tengan capacidad nominal para uso a la intemperie. Los cables de extensión que estén en malas condiciones o tengan un tamaño de alambre demasiado pequeño pueden presentar peligros de incendio y descargas eléctricas. Para reducir el riesgo de estos peligros, asegúrese de que el cable esté en buenas condiciones y que no entre ningún líquido en contacto con la conexión. No utilice un cable de extensión que tenga conductores de tamaño inferior a 1,3 mm<sup>2</sup> (16 AWG).
- Esta aspiradora tiene aislamiento doble, lo cual elimina la necesidad de un sistema independiente de conexión a tierra. Utilice únicamente piezas de repuesto idénticas. Lea las instrucciones de servicio de revisión de las aspiradoras para mojado/seco con aislamiento doble.
- No ponga ningún objeto en las aberturas de ventilación. No recoja nada con la aspiradora cuando cualquiera de las aberturas de ventilación esté bloqueada; mantenga dichas aberturas libres de polvo, pelusa, pelo o cualquier cosa que pueda reducir el flujo de aire.
- Mantenga el pelo, la ropa holgada, los dedos y todas las partes del cuerpo alejados de las aberturas y de las piezas móviles.
- Para reducir el riesgo de caídas, tenga cuidado adicional al limpiar en escaleras.
- Para reducir el riesgo de lesiones de espalda o caídas, no levante una aspiradora que pese mucho debido a que contiene líquido o residuos. Saque parte del contenido de la aspiradora o drénela parcialmente.
- Para reducir el riesgo de lesiones corporales o daños a la aspiradora, utilice únicamente accesorios recomendados por CRAFTSMAN.
- Cuando se utilice como soplador:
  - Dirija la descarga de aire solamente hacia el área de trabajo.
  - No dirija el aire hacia las personas que estén presentes.
  - Mantenga alejados a los niños durante la operación de soplado.
  - No utilice el soplador para trabajos que no sean soplar suciedad y residuos.
  - No use la aspiradora como rociador.
- Para reducir el riesgo de lesiones en los ojos, use protección ocular de seguridad. La utilización de cualquier aspiradora utilitaria o soplador utilitario puede hacer que se soplen objetos extraños hacia los ojos, lo cual puede causar daños graves en los ojos.
- Para reducir el riesgo de resultar golpeado o jalado por una aspiradora que esté rodando, bloquee las ruedecillas cuando utilice la aspiradora sobre una superficie desigual o inclinada.

## **⚠ PRECAUCIÓN:**

- Para reducir el riesgo de daños a la audición, use protectores de oídos cuando utilice la aspiradora durante muchas horas seguidas o cuando la emplee en un área ruidosa.
- Para operaciones que generan polvo, use una máscara antipolvo.
- Las descargas de estática son comunes cuando la humedad relativa del aire es baja. Si recoge residuos finos con la aspiradora, se puede depositar carga estática en la manguera o en la aspiradora. El mejor remedio para reducir la frecuencia de las descargas de estática en su casa o cuando use esta aspiradora es añadir humedad al aire con un humidificador.

Siga las siguientes advertencias que aparecen en la caja del motor de la aspiradora.



**AISLAMIENTO DOBLE. NO SE REQUIERE CONEXION A TIERRA. CUANDO HAGA SERVICIO DE REVISIÓN DE LA ASPIRADORA, UTILICE ÚNICAMENTE PIEZAS DE REPUESTO IDÉNTICAS.**

## **⚠ ADVERTENCIA:**

- Para su propia seguridad, lea y entienda el manual del operador.
- No tenga en marcha la aspiradora desatendida.
- No recoja cenizas calientes, brasas, materiales inflamables, combustibles / autoincendiables o tóxicos, ni otros materiales peligrosos.
- No utilice la aspiradora en las proximidades de líquidos o vapores explosivos.

## **⚠ ADVERTENCIA:**

Para reducir el riesgo de sacudidas eléctricas, no exponga la aspiradora a la lluvia y almacénela en interiores.

### **REEMPLAZO GRATUITO DE LAS ETIQUETAS DE**

**ADVERTENCIA:** Si sus etiquetas de advertencia se vuelven ilegibles o faltan, llame al **1-888-331-4569** para obtener un reemplazo gratis.

# **GUARDE ESTAS INSTRUCCIONES**

## **INTRODUCCIÓN**

Esta aspiradora para mojado/seco está diseñada solamente para uso doméstico. Se puede utilizar para recoger materiales mojados o secos y se puede usar como soplador.

Lea este manual del operador para familiarizarse con las características del producto y para entender la utilización específica de su nueva aspiradora para mojado/seco.

## **ÍNDICE**

<b>Sección</b>	<b>Página</b>	<b>Sección</b>	<b>Página</b>
Instrucciones de seguridad importantes	39-40	Mantenimiento	48-50
Introducción	40	Filtro	48
Contenido de la caja de cartón	41	Remoción e instalación del filtro Qwik Lock™	48
Instalación	42-43	Bolsa de filtro	49
Ensamblaje de las ruedecillas/pies de ruedecilla	42	Instalación de la bolsa de filtro	49
Ensamblaje de los clips para manguera	42	Remoción de la bolsa de filtro	49
Ensamblaje del asa de transporte	42	Limpieza del filtro	50
Ensamblaje de la aspiradora	43	Limpieza de un filtro seco	50
Introduzca la manguera	43	Limpieza de un filtro mojado	50
Almacenamiento de accesorios	43	Limpieza y desinfección de la aspiradora para mojado/seco	50
Funcionamiento	44-47	Ruedecillas	50
Enchufe polarizado	44	Almacenamiento	50
Recogida de materiales secos con la aspiradora	44	Servicio / Piezas de repuesto	51-53
Recogida de líquidos con la aspiradora	45	Servicio de ajustes y reparaciones de una aspiradora para mojado/seco con aislamiento doble	51
Vaciado del tambor	45	Garantía	54
Traslado de la aspiradora para seco/mojado	46		
Silenciador / difusor	46		
Dispositivo de soplado	47		



## CONTENIDO DE LA CAJA DE CARTÓN (Fig. B)

Clave	Descripción	CMXEVEBE175840 22,5 Litros (6 Galones)	CMXEVEBE175900 34 Litros (9 Galones)	CMXEVEBE175940 45 Litros (12 Galones)	CMXEVEBE175950 60 Litros (16 Galones)	CMXEVEBE175960 75 Litros (20 Galones)
A	Ensamblaje de la aspiradora	1	1	1	1	1
B	Ensamblaje de la manguera	1	1	1	1	1
C	Boquilla utilitaria	1	1	1	1	1
D	Boquilla para residuos mojados	No se incluye	1	1	1	1
E	Boquilla para auto	1	1	1	1	1
F	Boquilla rinconera	No se incluye	No se incluye	No se incluye	No se incluye	1
G	Tubos extensores	2	2	2	2	2
H	Silenciador/difusor	No se incluye	No se incluye	No se incluye	No se incluye	1
I	Pie de ruedecilla con área de almacenamiento	4	4	4	4	4
J	Ruedecilla	4	4	4	4	4
K	Ensamblaje de clip para manguera	No se incluye	No se incluye	2	2	2
L	Asa de transporte	1	1	1	1	1
M	Bolsa de filtro desechable	1	1	1	1	1
N*	Filtro Qwik Lock	1	1	1	1	1
O	Manual de instrucciones	1	1	1	1	1

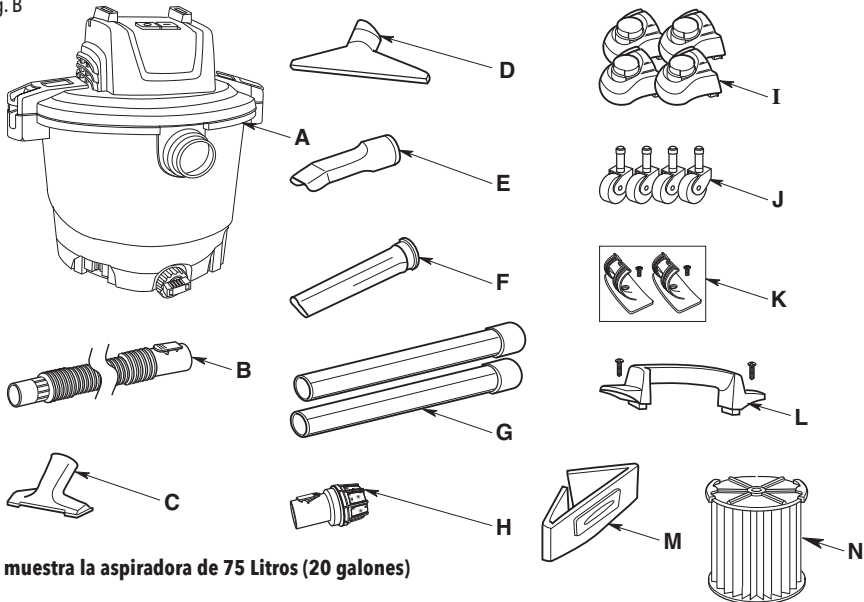
\* Es posible que los artículos vengan preensamblados.

Es posible que las imágenes mostradas no reflejen la pieza real.

Saque todo el contenido de la caja de cartón. Asegúrese de que no falte ningún artículo utilizando la lista del contenido de la caja.

Si alguna pieza está dañada o falta, llame de inmediato a servicio al cliente al 1-888-331-4569 (México 001-881-331-4569).

Fig. B

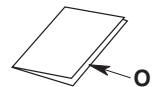


Se muestra la aspiradora de 75 Litros (20 galones)

### Herramientas necesarias:



Destornillador Phillips

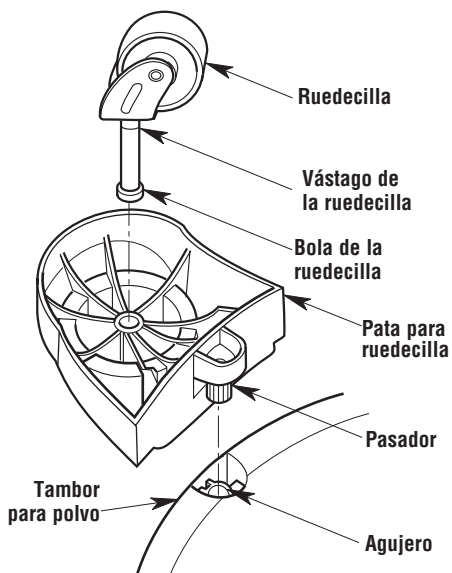


## INSTALACIÓN

### Ensamblaje de las ruedecillas/patas para ruedecilla (Fig. C)

1. Retire el ensamblaje del cabezal del motor del tambor para polvo y póngalo a un lado.
2. Ponga el tambor para polvo en posición invertida en el piso.
3. Inserte los pies de ruedecilla en la parte inferior del tambor, de la manera que se muestra en la ilustración (4 lugares).
4. Empuje sobre el pie de ruedecilla hasta que dicho pie esté al ras con la parte inferior del tambor para polvo.
5. Inserte el vástago de la ruedecilla en el receptáculo del pie de ruedecilla, de la manera que se muestra en la ilustración (4 lugares).
6. Empuje sobre la ruedecilla hasta que la esfera ubicada en el vástago de la ruedecilla esté insertada por completo en el receptáculo. Escuchará como la esfera se acopla a presión en el receptáculo y la ruedecilla girará fácilmente cuando el posicionamiento sea correcto.
7. Ponga el tambor en posición al derecho.

Fig. C

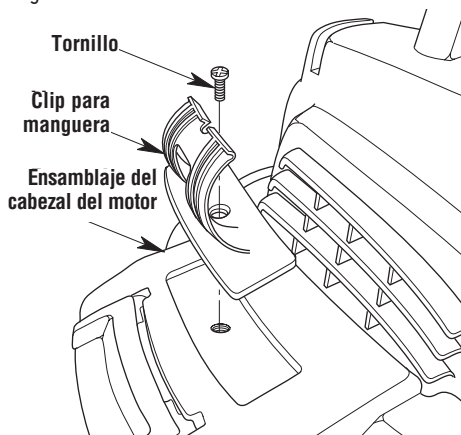


### Ensamblaje de los clips para manguera (Fig. D)

(Modelos CMXEVB175940, CMXEVB175950, CMXEVB175960)

1. Alinee los clips para manguera en las áreas rebajadas del ensamblaje del cabezal del motor.
2. Inserte el tornillo y apriételo para sujetar el clip para manguera al ensamblaje del cabezal del motor.

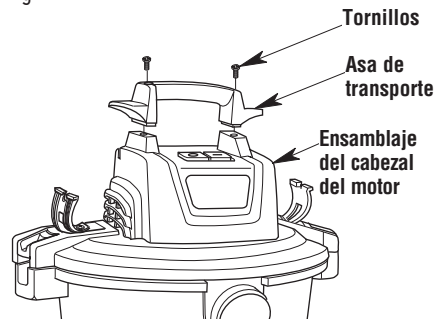
Fig. D



### Montaje del asa de transporte (Fig. E)

1. Coloque el asa de transporte sobre el ensamblaje del cabezal del motor de la aspiradora para seco/mojado.
2. Apriete ambos tornillos para montar el asa de transporte sobre el ensamblaje del cabezal del motor.

Fig. E



Se muestra la aspiradora de 75 Litros (20 galones)

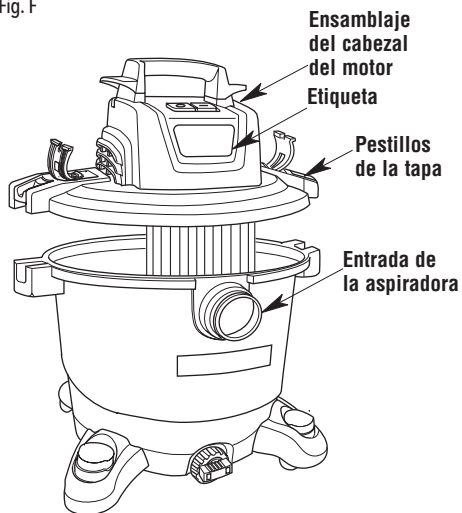
## Ensamblaje de la aspiradora (Fig. F)

1. Alinee la parte delantera (el lado donde está la etiqueta) del ensamblaje del cabezal del motor con la entrada de la aspiradora ubicada en la parte delantera del tambor.

**NOTA:** El ensamblaje del cabezal del motor debe estar alineado con el tambor para que el acoplamiento se adecuado

2. Coloque el ensamblaje del cabezal del motor encima del tambor.
3. Asegúrese de que el ensamblaje del cabezal del motor cubra completamente la parte superior del tambor, para que no haya fugas.
4. Presione hacia abajo sobre los pestillos de la tapa para sujetar firmemente el ensamblaje del cabezal del motor al tambor.
5. Para retirar el ensamblaje del cabezal del motor, desenchufe primero la unidad del tomacorriente. Luego, levante los pestillos de la tapa y retire dicho ensamblaje del tambor.

Fig. F



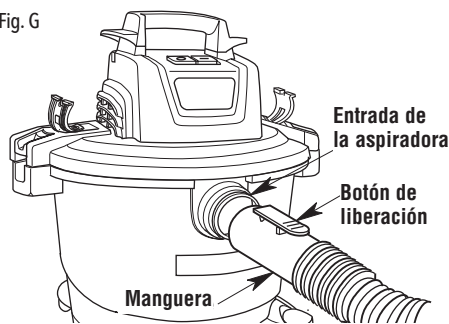
Se muestra la aspiradora de 75 Litros (20 galones)

## Introduzca la manguera (Fig. G)

Inserte el extremo de fijación del ensamblaje de la manguera en la entrada de la aspiradora. La manguera debería acoplarse a presión en su sitio.

Para sacar la manguera de la aspiradora, oprima el botón de liberación ubicado en el ensamblaje de la manguera y tire de la manguera hasta sacarla de la entrada de la aspiradora, de la manera que se muestra en la ilustración.

Fig. G



Se muestra la aspiradora de 75 Litros (20 galones)

## Almacenamiento de los accesorios (Fig. H)

Sus accesorios se pueden almacenar en los pies de ruedecilla o en las ubicaciones de almacenamiento situadas en el ensamblaje del cabezal del motor (en los modelos aplicables).

La manguera también se puede almacenar enrollándola alrededor de la unidad y sujetándola firmemente en los clips para manguera (en los modelos aplicables).

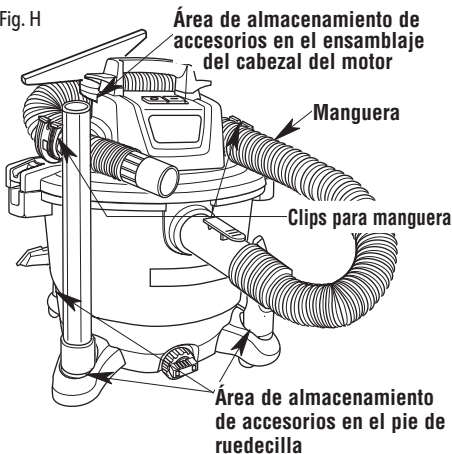
## PRECAUCIÓN:

No utilice la aspiradora mientras la manguera aún esté enrollada alrededor del ensamblaje del cabezal del motor en la posición de almacenamiento.

## ADVERTENCIA:

No ponga ningún objeto en las aberturas de ventilación. No aspire si alguna abertura de ventilación está bloqueada; mantenga las aberturas de ventilación libres de polvo, pelusa, pelo o cualquier cosa que pueda reducir el caudal de aire.

Fig. H



Se muestra la aspiradora de 75 Litros (20 galones)

## FUNCIONAMIENTO

### **ADVERTENCIA:**

**Para reducir el riesgo de incendio, explosión o daños a la aspiradora:**

- No deje la aspiradora en marcha mientras esté desatendida. Usted podría no notar señales importantes que indiquen un funcionamiento anormal, tal como pérdida de succión, residuos o líquido que salen por el escape o ruidos anormales del motor. Deje de usar la aspiradora inmediatamente si observa estas señales.
- No deje la aspiradora enchufada cuando no se esté utilizando.
- No continúe usando la aspiradora cuando el flotador haya cortado la succión.
- Las chispas generadas dentro del motor pueden incendiar los materiales inflamables suspendidos en el aire. No utilice la aspiradora cerca de líquidos inflamables ni en áreas con gases o vapores inflamables o polvo explosivo/suspendido en el aire. Los líquidos inflamables, gases inflamables y los vapores inflamables incluyen: líquido encendedor, limpiadores tipo solvente, pinturas a base de aceite, gasolina, alcohol y rociadores tipo aerosol. Los polvos explosivos incluyen: carbón, magnesio, aluminio, grano de cereal y pólvora.
- No recoja con la aspiradora polvos explosivos, líquidos inflamables ni cenizas calientes.
- No deje aserrín ni trapos con residuos de tinte o de poliuretano dentro de la aspiradora. Vacíe el tambor después de recoger estos materiales potencialmente autocalentables.

### **ADVERTENCIA:**

**Para reducir el riesgo de descargas eléctricas o lesiones:**

- No exponga la aspiradora a la lluvia ni deje que entre líquido en el compartimento del motor. Almacene la aspiradora en un lugar interior.
- No maneje el enchufe, el interruptor o la aspiradora con las manos mojadas.
- No haga servicio de ajustes y reparaciones de la aspiradora mientras esté enchufada. Si la aspiradora no está funcionando como debería, le faltan piezas, se ha caído, está dañada, se ha dejado a la intemperie o se ha caído al agua, llame a servicio al cliente al 1-888-331-4569 (México 001-888-331-4569).
- Cuando utilice un cordón de extensión, utilice únicamente cordones con capacidad nominal para uso a la intemperie que estén en buenas condiciones. No deje que la conexión entre en contacto con líquido.

### **PRECAUCIÓN:**

Para reducir el riesgo de daños a la audición, use protectores de oídos cuando utilice la aspiradora/soplador durante un tiempo prolongado o en un área ruidosa.

### **Enchufe polarizado**

Para reducir el riesgo de sacudidas eléctricas, este aparato electrodoméstico tiene un enchufe polarizado (una hoja es más ancha que la otra). Este enchufe entrará en un tomacorriente polarizado solamente de una manera. Si el enchufe no entra por completo en el tomacorriente, déle la vuelta. Si sigue sin entrar, póngase en contacto con un electricista competente para instalar el tomacorriente adecuado. No haga ningún tipo de cambio en el enchufe.

Después de enchufar el cordón de energía en el tomacorriente, encienda la unidad empujando el interruptor de la posición "O" a la posición "I". Los símbolos utilizados en el accionador del interruptor son los símbolos internacionales de "encendido y apagado":

 = APAGADO |  = ENCENDIDO

### **Recogida de materiales secos con la aspiradora**

1. El filtro debe estar siempre en la posición correcta para reducir el riesgo de fugas y posibles daños a la aspiradora.
2. Cuando utilice la aspiradora para recoger polvo muy fino, será necesario que usted vacíe el tambor y limpie el filtro a intervalos más frecuentes para mantener el máximo rendimiento de la aspiradora.

**NOTA:** Se necesita un filtro para medios secos para recoger material seco. Si utiliza la aspiradora para recoger polvo cuando el filtro está mojado, éste se taponará rápidamente y será muy difícil limpiarlo.

## Recogida de líquidos con la aspiradora

### **⚠️ ADVERTENCIA:**

*No utilice la aspiradora sin la jaula del filtro y el flotador, ya que estas piezas evitan que entre líquido en el impulsor y dañe el motor. Para recoger materiales secos, no utilice la aspiradora sin tener el filtro instalado, para reducir el riesgo de daños al motor.*

### **⚠️ ADVERTENCIA:**

*Para reducir el riesgo de incendio o explosión, no aspire líquidos, gases ni polvos inflamables o combustibles.*

1. Cuando recoja cantidades pequeñas de líquido, se podrá dejar colocado el filtro en la aspiradora.
2. Cuando recoja cantidades grandes de líquido, recomendamos quitar el filtro. Si no se quita el filtro, éste se saturará y es posible que aparezca niebla en el escape.
3. Después de utilizar la aspiradora para recoger líquidos, se debe secar el filtro para evitar una posible formación de moho y posibles daños al filtro.
4. Cuando el líquido contenido en el tambor de la aspiradora alcance un nivel predeterminado, el mecanismo de flotador subirá automáticamente para cortar la circulación de aire. Cuando esto ocurra, apague la aspiradora, desenchufe el cordón de energía y vacíe el tambor. Sabrá que el flotador ha cortado la circulación de aire porque la succión cesará y el ruido del motor alcanzará una frecuencia más alta debido al aumento de la velocidad del motor.

**IMPORTANTE:** Para reducir el riesgo de dañar la aspiradora, no haga funcionar el motor con el flotador en la posición subida.

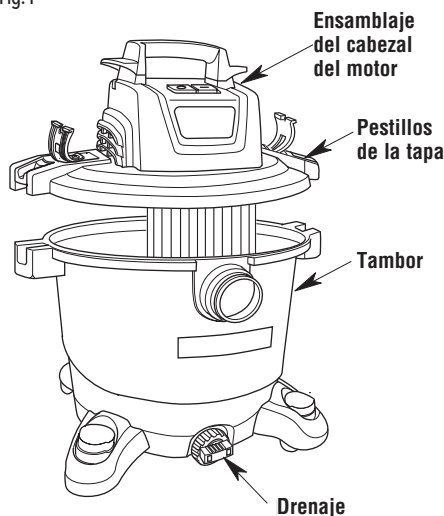
## Vaciado del tambor (Fig. 1)

1. Retire el ensamblaje del cabezal del motor. Jale los pestillos para liberar dicho ensamblaje del tambor.
2. Levante el ensamblaje del cabezal del motor alejándolo del tambor.
3. Coloque el ensamblaje del cabezal del motor en posición invertida sobre un área limpia mientras vacía el tambor.
4. Deseche el contenido del tambor en el recipiente de eliminación de residuos adecuado.
5. Si la aspiradora viene equipada con un drenaje, simplemente desenrosque la tapa del drenaje y levante ligeramente el lado opuesto para vaciar el tambor.

### **⚠️ ADVERTENCIA:**

*Para reducir el riesgo de lesiones en la espalda o de caídas, no levante una aspiradora que pese mucho debido a que contiene líquido o residuos. Saque o vierta bastante contenido para hacer que la aspiradora sea lo suficientemente liviana como para poder levantarla cómodamente.*

Fig. 1



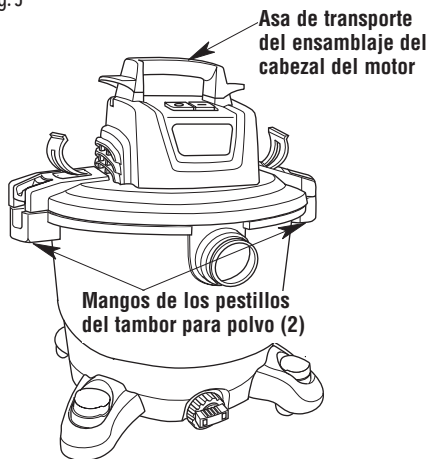
Se muestra la aspiradora de 75 Litros (20 galones)

## Traslado de la aspiradora para seco/ mojado (Fig. J)

En el caso de que sea necesario levantar la aspiradora para trasladarla, utilice los mangos de los pestillos del tambor para polvo.

Para maniobrar la aspiradora, se deberá usar el asa de transporte ubicada encima del ensamblaje del cabezal del motor.

Fig. J



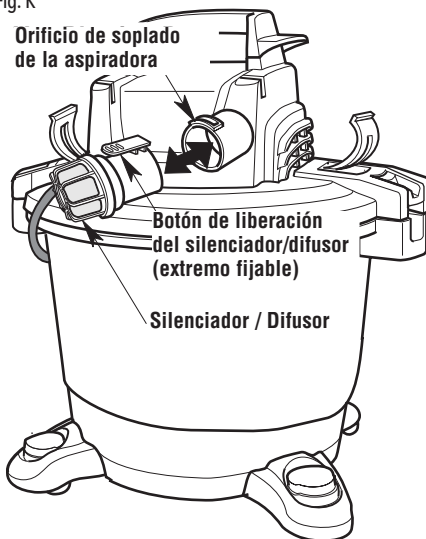
Se muestra la aspiradora de 75 Litros (20 galones)

## Silenciador / difusor (Fig. K)

Dependiendo del modelo que usted tenga, es posible que su aspiradora venga con un silenciador/difusor. Inserte el extremo fijable del silenciador/difusor en el orificio de soplado de la aspiradora, cuando la aspiradora no se esté usando como soplador. El silenciador/difusor deberá acoplarse a presión en la posición correcta.

Para retirar el silenciador/difusor del orificio de soplado, presione el botón de liberación del silenciador/difusor y jale el silenciador/difusor para sacarlo del orificio de soplado.

Fig. K



Se muestra la aspiradora de 75 Litros (20 galones)

## Dispositivo de soplado (Fig. L)

La aspiradora cuenta con un orificio de soplado. Este dispositivo puede soplar aserrín y otros residuos. Siga los pasos que se indican a continuación para utilizar la aspiradora como soplador.

1. Localice el orificio de soplado de la aspiradora.
2. Inserte el extremo de fijación del ensamblaje de la manguera en el orificio de soplado de la aspiradora. La manguera debería acoplarse a presión en su sitio.  
Para retirar la manguera de la aspiradora, presione el botón de liberación ubicado en el ensamblaje de la manguera y jale la manguera para sacarla del orificio de soplado de la aspiradora.
3. (Opcional) Acople un tubo extensor en el extremo opuesto de la manguera y luego coloque la boquilla para auto en el tubo.
4. Encienda la aspiradora y estará listo para utilizarla como soplador.

## ⚠ ADVERTENCIA:

*Use siempre protectores oculares de seguridad que cumplan con la norma ANSI Z87.1 (o en Canadá, con la norma CSA Z94.3) antes de utilizar la aspiradora como soplador.*

## ⚠ ADVERTENCIA:

*Para reducir el riesgo de lesiones a las personas que estén presentes, manténgalas alejadas de los residuos soplados.*

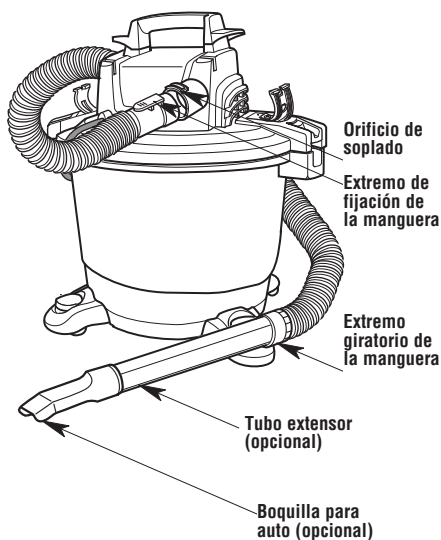
## ⚠ PRECAUCIÓN:

*Use una máscara antipolvo si el soplado genera polvo que podría ser inhalado.*

## ⚠ PRECAUCIÓN:

*Para reducir el riesgo de daños a la audición, use protectores de oídos cuando utilice la aspiradora/ soplador durante muchas horas seguidas o cuando la utilice en un área ruidosa.*

Fig. L



Se muestra la aspiradora de 75 Litros (20 galones)

## MANTENIMIENTO

### Filtro

#### **⚠ ADVERTENCIA:**

Para reducir el riesgo de lesiones por causa de un arranque accidental, desenchufe el cordón de energía antes de cambiar o limpiar el filtro.

**NOTA:** Este filtro está hecho de papel de alta calidad diseñado para detener partículas de polvo muy pequeñas. El filtro se puede utilizar para recoger material mojado o seco. Maneje el filtro con cuidado cuando lo quite para limpiarlo o cuando lo instale. Es posible que se formen arrugas en los pliegues del filtro como resultado de la instalación, pero las arrugas no afectarán el rendimiento del filtro.

#### **Remoción e instalación del filtro Qwik Lock™ (Fig. M)**

**IMPORTANTE:** Para evitar dañar la rueda del soplador, reinstale siempre el filtro antes de utilizar la aspiradora para recoger material seco.

#### **Remoción del filtro**

1. Sostenga las lengüetas del filtro Qwik Lock™ en cada mano.
2. Con un dedo pulgar en el vástago Qwik Lock™, que sobresale a través de la placa del filtro integrada, levante las lengüetas del filtro a la vez que empuja hacia abajo sobre el vástago.
3. Esta acción hará que el filtro se suelte de la jaula del filtro. Deslice el filtro hasta retirarlo de la jaula.

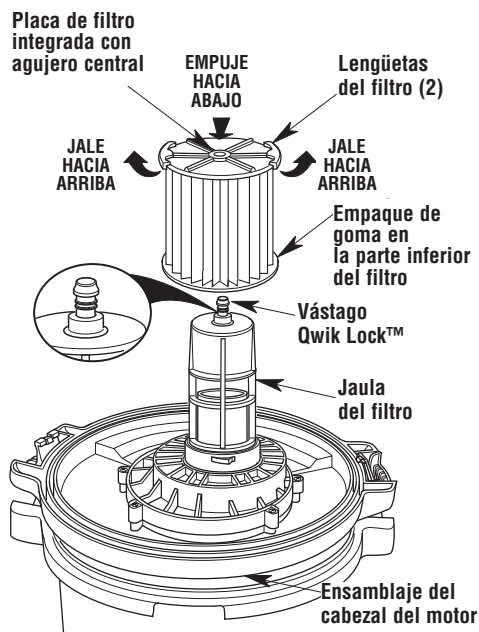
#### **⚠ ADVERTENCIA:**

No utilice la aspiradora sin la jaula del filtro y el flotador, ya que estas piezas evitan que entre líquido en el impulsor y dañe el motor.

#### **Instalación del filtro**

1. Deslice cuidadosamente el filtro Qwik Lock™ sobre la jaula del filtro y presione hacia abajo sobre el borde exterior del filtro hasta que el empaque de goma ubicado en la parte inferior del filtro se asiente firmemente alrededor de la base de la jaula del filtro y contra el ensamblaje del cabezal del motor.
2. Alinee el agujero central pequeño ubicado en la parte superior del filtro sobre el vástago Qwik Lock™ ubicado en la jaula del filtro. Presione firmemente sobre la parte de arriba del filtro cerca del vástago, para permitir que el filtro se acople a presión sobre la bola ubicada en el extremo del vástago. Una vez hecho esto, el filtro estará instalado.

Fig. M



**NOTA:** Si no se asienta apropiadamente el empaque inferior, el resultado podría ser que los residuos pasen por alto el filtro.



## Bolsa de filtro

### **⚠️ ADVERTENCIA:**

Para evitar los peligros para la salud por causa de vapores o polvo, no aspire materiales tóxicos o cancerígenos ni otros materiales peligrosos, tales como asbesto, arsénico, bario, berilio, plomo, pesticidas u otros materiales que pongan en peligro la salud.

### **⚠️ PRECAUCIÓN:**

Para evitar derramar los residuos, cuando recoja material pesado o afilado, monitoree el volumen de la bolsa y no la llene excesivamente.

## Instalación de la bolsa de filtro (Fig. N)

Se podrá utilizar una bolsa de filtro en lugar de o además del filtro de cartucho Qwik Lock™.

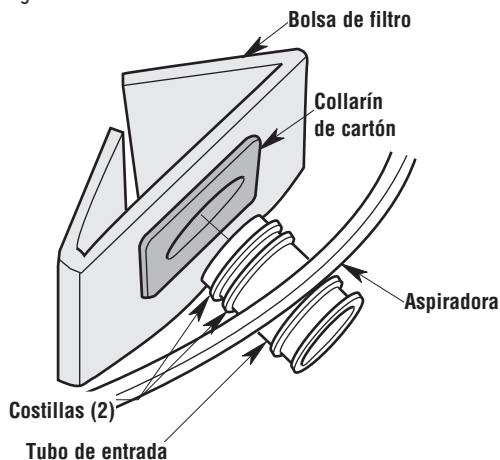
Hay bolsas de filtro de repuesto disponibles:

**NOTA:** Consulte la lista de piezas de repuesto para obtener el número de pieza.

**NOTA:** Cuando recoja residuos secos, se debe instalar correctamente una bolsa de filtro o un filtro de cartucho.

1. La bolsa de filtro se deberá utilizar solamente para recoger residuos secos.
2. Se requiere un posicionamiento correcto del collarín de cartón para asegurar un sello adecuado.
3. Localice las dos costillas ubicadas en el tubo de entrada, dentro del tambor.
4. Deslice el collarín de cartón sobre el tubo de entrada y posicione dicho collarín de cartón entre las dos costillas.
5. Con el collarín de cartón instalado firmemente, despliegue y posicione la bolsa de filtro dentro del tambor, de la manera que se muestra en la ilustración.

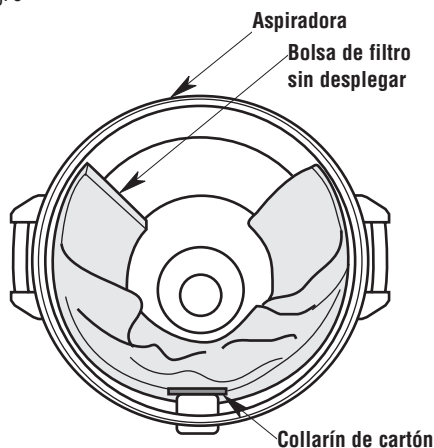
Fig. N



## Remoción de la bolsa de filtro (Fig. O)

1. Deslice el collarín de cartón hacia el centro del tambor de la aspiradora.
2. Retire la bolsa de filtro del tambor de la aspiradora y deséchela.
3. Instale la bolsa de filtro nueva.

Fig. O



## Limpeza del filtro

El filtro se debe limpiar a menudo para mantener un rendimiento óptimo de la aspiradora.

## Limpeza de un filtro seco

1. Se puede lograr un poco de remoción de residuos secos sin quitar el filtro de la aspiradora. Dé una palmada con la mano sobre la parte superior del ensamblaje del cabezal del motor mientras la aspiradora está apagada.
2. Para obtener óptimos resultados de limpieza debido a la acumulación de polvo, limpie el filtro en un área abierta. La limpieza SE DEBE realizar al aire libre y no en el interior de la vivienda.
3. Después de quitar el filtro de la aspiradora, saque los residuos secos golpeando suavemente el filtro contra la pared interior del tambor para polvo. Los residuos se soltarán y caerán.
4. Para una limpieza a fondo del filtro seco con polvo fino (sin residuos), haga pasar agua a través del filtro tal como se describe bajo "Limpeza de un filtro mojado".

## Limpeza de un filtro mojado

Después de quitar el filtro, haga pasar agua a través de él usando una manguera o desde una espita. Tenga cuidado de que la presión del agua procedente de la manguera no sea tan fuerte como para dañar el filtro.

**IMPORTANTE:** Después de limpiar el filtro, compruebe si éste tiene desgarraduras o agujeros pequeños. Las desgarraduras y los agujeros en el filtro pueden hacer que los residuos y el polvo sean soplados al exterior de la aspiradora. No use un filtro que tenga agujeros o desgarraduras. Cámbielo inmediatamente.

Deje que el filtro se seque antes de reinstalarlo y almacenar la aspiradora o recoger residuos secos.

## Limpeza y desinfección de la aspiradora para mojado/seco

Para mantener el mejor aspecto posible de la aspiradora para mojado/seco, limpie su exterior con un paño humedecido con agua templada y un jabón suave.

Para limpiar el tambor:

1. Vacíe los residuos del tambor.
  2. Lave a fondo el tambor con agua templada y un jabón suave.
  3. Limpie el tambor con un paño seco.
- Antes de un almacenamiento prolongado o según sea necesario (por ejemplo, si se recogen aguas residuales), se debe desinfectar el tambor.

Para desinfectar el tambor:

1. Vierta 4 l (1 galón) de agua y 5 ml (1 cucharadita) de blanqueador de cloro en el tambor.
2. Deje que la solución repose durante 20 minutos y agítela cuidadosamente cada pocos minutos, asegurándose de mojar todas las superficies interiores del tambor.
3. Vacíe el tambor después de 20 minutos. Enjuáguelo con agua hasta que el olor a blanqueador desaparezca. Deje que el tambor se seque completamente antes de sellar el motor sobre el tambor.

## Ruedecillas

Si las ruedecillas hacen ruido, puede poner una gota de aceite en el eje del rodillo para que hagan menos ruido.


## Almacenamiento

Antes de almacenar la aspiradora, se debe vaciar y limpiar el tambor para polvo. El cable de alimentación se deberá enrollar alrededor del asa de transporte y la manguera se deberá almacenar tal y como se describe en este manual. Los accesorios se deben mantener en la misma área que la aspiradora para que estén al alcance de la mano cuando se necesiten. La aspiradora se debe almacenar en interiores.

## ADVERTENCIA:

*Para garantizar la SEGURIDAD y CONFIABILIDAD del producto, cualquier otro mantenimiento, reparación y ajuste deberá ser realizado por los Centros de Servicio Autorizados, utilizando siempre piezas de repuesto CRAFTSMAN.*

## ADVERTENCIA: SERVICIO DE AJUSTES Y REPARACIONES DE UNA ASPIRADORA PARA MOJADO/SECO CON AISLAMIENTO DOBLE

En una aspiradora para mojado/seco con aislamiento doble se proporcionan dos sistemas de aislamiento en vez de conexión a tierra. No se proporciona ningún medio de conexión a tierra en un aparato electro-doméstico con aislamiento doble, ni se debe añadir a éste ningún medio de conexión a tierra. El servicio de ajustes y reparaciones de una aspiradora para mojado/seco con aislamiento doble requiere extremado cuidado y conocimiento del sistema, y debe ser realizado únicamente por personal de servicio competente. Las piezas de repuesto para la aspiradora para mojado/seco con aislamiento doble deben ser idénticas a las piezas que reemplazan. La aspiradora para mojado/seco con aislamiento doble está marcada con las palabras "DOUBLE INSULATED" (con aislamiento doble) y puede que el símbolo  (un cuadrado dentro de un cuadrado) también esté marcado en los aparatos.

Para reducir el riesgo de lesiones, desenchufe el cable de alimentación antes de realizar servicio de ajustes y reparaciones de la aspiradora para mojado/seco.

## SERVICIO / PIEZAS DE REPUESTO

**Aspiradora para mojado/seco desmontable de 22,5 Litros (6 galones EE.UU.)**  
**Números de modelo CMXEVBE175840**  
**Clasificaciones eléctricas: 120 V~ 7,5 A 60 Hz**

**Aspiradora para mojado/seco desmontable de 34 Litros (9 galones EE.UU.)**  
**Números de modelo CMXEVBE175900**  
**Clasificaciones eléctricas: 120 V~ 8,3 A 60 Hz**

**Aspiradora para mojado/seco desmontable de 45 Litros (12 galones EE.UU.)**  
**Números de modelo CMXEVBE175940**  
**Clasificaciones eléctricas: 120 V~ 10,5 A 60 Hz**

**Aspiradora para mojado/seco desmontable de 60 Litros (16 galones EE.UU.)**  
**Números de modelo CMXEVBE175950**  
**Clasificaciones eléctricas: 120 V~ 12 A 60 Hz**

**Aspiradora para mojado/seco desmontable de 75 Litros (20 galones EE.UU.)**  
**Números de modelo CMXEVBE175960**  
**Clasificaciones eléctricas: 120 V~ 12 A 60 Hz**

No.de clave	22,5 L / 6 Gal. CMXEVBE175840	34 L / 9 Gal. CMXEVBE175900	45 L / 12 Gal. CMXEVBE175940	50 L / 16 Gal. CMXEVBE175950	75 L / 20 Gal. CMXEVBE175960	Descripción
1	841579-1	841579-1	841579-1	841579-1	841579-1	Interruptor
2	510700	510700	510701	510701	510701	Asa superior y herrajes (2 tornillos)
3	510702	510703	510704	510705	510706	Cubierta del motor con etiquetas
4	829719-17	829719-17	829719-14	829719-17	829719-17	Cable con terminal
5	841522	841522	841364	841364-1	841364-1	Conducto de escape
6	832630	832630	No se incluye	No se incluye	No se incluye	Empaqueadura superior del motor
7	841655	841455	829693-1	510379	510379	Ensamblaje del motor
8	841517	841517	No se incluye	No se incluye	No se incluye	Empaqueadura inferior del motor
9	No se incluye	No se incluye	819260-13	819260-13	819260-13	Ensamblaje de hilos de conexión
10	No se incluye	No se incluye	818961	818961	818961	Espaciador
11	No se incluye	No se incluye	818413-2	818413	818413	Rueda de soplador
12	No se incluye	No se incluye	315534-1	315534-1	315534-1	Arandela
13	No se incluye	No se incluye	826817	826817	826817	Tuerca hexagonal con pestaña de 5/16-18
14	No se incluye	No se incluye	820563-5	820563-5	820563-5	Tornillo de cabeza troncocónica tipo "AB" 10x3,2 mm (1-1/4) ser.
15	841521-1	841521-1	510559	510567	510567	Tapa / ensamble de la tapa
16	No se incluye	No se incluye	510582	510582	510582	Ensamblaje de clip para manguera con tornillos
17	No se incluye	No se incluye	841265	841265	841265	Pestillo de la tapa
18	820563-4	820563-4	820563-4	820563-4	820563-4	Tornillo de cabeza troncocónica tipo "AB" 10 x 20 mm (3/4) ser.
19	841454	841454	840321	840321	840321	Colector
20	833521-1	833521-1	823201-2	823201-2	823201-2	Ensamblaje de la jaula del filtro
21	CMXZVBE38754	CMXZVBE38754	CMXZVBE38754	CMXZVBE38754	CMXZVBE38754	Filtro de repuesto
22	842913	510707	510708	510709	510710	Tambor
23	832836	832836	828460	828460	828460	Pie de ruedecilla con área de almacenamiento
24	73137	73137	73102	73102	73102	Ruedecilla
25	CMXZVBE38676	CMXZVBE38676	CMXZVBE38630	CMXZVBE38630	CMXZVBE38630	Boquilla utilitaria
26	CMXZVBE38681	CMXZVBE38681	CMXZVBE38620	CMXZVBE38620	CMXZVBE38620	Boquilla para auto
27	CMXZVBE38675	CMXZVBE38675	CMXZVBE38606	CMXZVBE38606	CMXZVBE38606	Tubo extensor
28	CMXZVBE38761	CMXZVBE38761	CMXZVBE38763	CMXZVBE38763	CMXZVBE38763	Ensamblaje de manguera
29	CMXZVBE39970	CMXZVBE39970	CMXZVBE38735	CMXZVBE38749	CMXZVBE38749	Bolsa de filtro desechable
30	No se incluye	73185	73185	73185	73185	Tapa del drenaje
31	No se incluye	CMXZVBE38683	CMXZVBE38621	CMXZVBE38621	CMXZVBE38621	Boquilla para residuos mojados
32	No se incluye	No se incluye	No se incluye	No se incluye	CMXZVBE37035	Boquilla rinconera
33	No se incluye	No se incluye	No se incluye	No se incluye	CMXZVBE38660	Difusor
34	SP7075	SP7075	SP7075	SP7075	SP7075	Manual de instrucciones

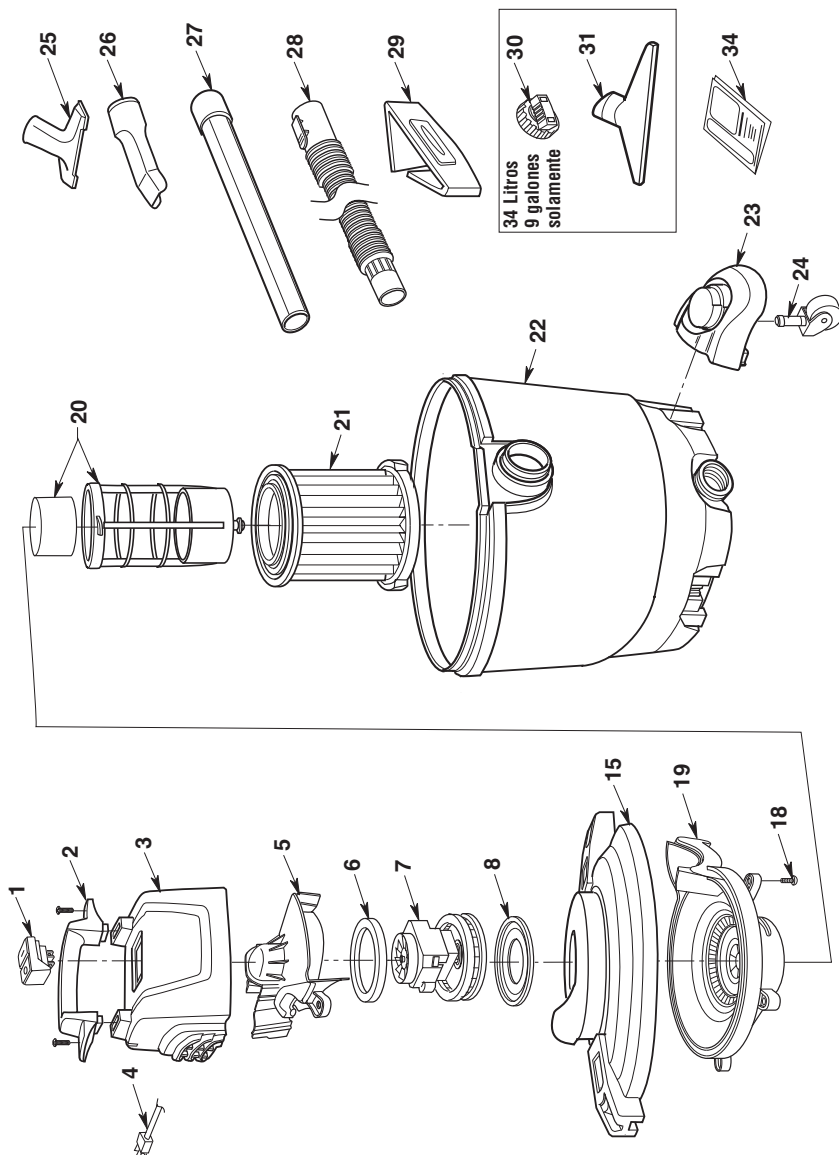
**Aspiradora para mojado/seco  
de 22,5 Litros (6 Galones)  
No. de modelo CMXEVB175840**

**Aspiradora para mojado/seco  
de 34 Litros (9 Galones)  
No. de modelo CMXEVB175900**

**⚠ ADVERTENCIA:** Para reducir el riesgo de lesiones, desenchufe el cable de alimentación antes de hacer servicio de ajustes y reparaciones de la aspiradora para mojado/seco.

**⚠ ADVERTENCIA:** Todo el desmontaje y todas las reparaciones deberán ser realizados por personal calificado.

**Pida siempre por número de pieza –no por número de clave**

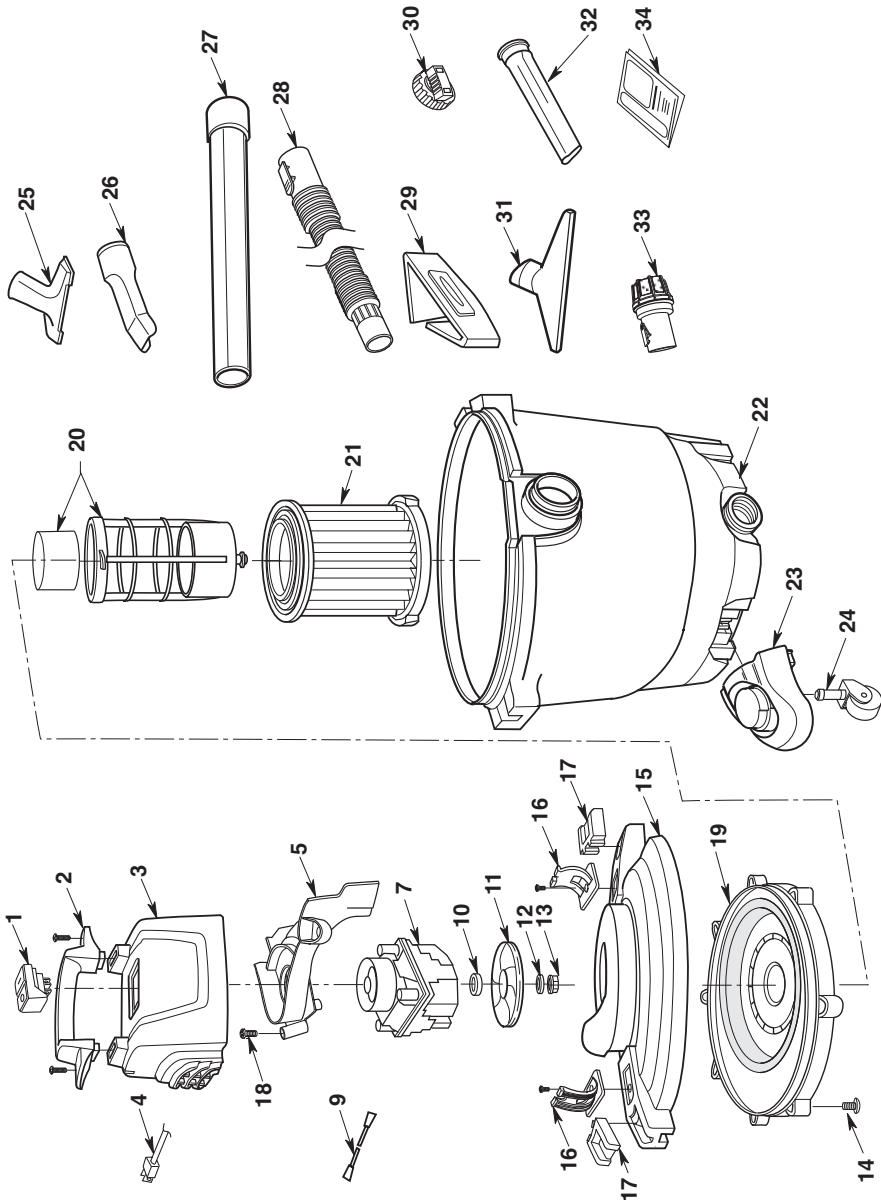


**Aspiradora para mojado/seco  
de 45 Litros (12 Galones)**  
No. de modelo  
**CMXEVB175940**

**Aspiradora para mojado/seco  
de 60 Litros (16 Galones)**  
No. de modelo  
**CMXEVB175950**

**Aspiradora para mojado/seco  
de 75 Litros (20 Galones)**  
No. de modelo  
**CMXEVB175960**

**Pida siempre por número de pieza –no por número de clave**



## GARANTÍA LIMITADA DE CRAFTSMAN® DE 3 AÑOS

Esta garantía limitada es ofrecida por Emerson Tool Company, una división de Emerson Electric Co., ("Nosotros" o "Nuestro" o "Nuestra") al propietario y consumidor original ("Cliente" o "Usted" o "Su") del producto CRAFTSMAN con el cual se proporciona esta garantía limitada (el "Producto CRAFTSMAN").

### Lo que está cubierto

Le garantizamos a Usted que su Producto CRAFTSMAN estará libre de defectos de materiales y de fabricación cuando se utilice en condiciones normales y de acuerdo con los términos del Manual de Instrucciones que se le proporcione a Usted con el Producto CRAFTSMAN, sujeto a las exclusiones que se describen a continuación, por un período de tres años a partir de la fecha de compra por Usted (el "Período de Garantía"). Esta garantía limitada se termina si el comprador original transfiere el Producto CRAFTSMAN a otra persona o entidad.

### Lo que no está cubierto

Esta garantía limitada no se extiende a lo siguiente y lo excluye expresamente:

- El desgaste por el uso normal y/o los aditamentos o accesorios de repuesto, incluyendo, sin limitación, cables de alimentación, mangueras, filtros y otros aditamentos o accesorios que Nosotros pongamos a la venta para utilizarlos con el Producto CRAFTSMAN.
- Daños al motor del Producto CRAFTSMAN o quemadura de dicho motor que resulten del hecho de no eliminar una obstrucción que ocurra durante el transcurso del uso normal.
- Pérdida del Producto CRAFTSMAN o daños al mismo que ocurran como resultado de situaciones que estén más allá de Nuestro control, incluyendo, sin limitación, uso incorrecto, accidente, abuso, descuido, negligencia (que no sea por parte Nuestra), sobreutilización más allá de la capacidad prevista tal y como se establezca en el Manual de Instrucciones, o modificaciones o alteraciones realizadas por alguien ajeno a Nosotros.
- Pérdida del Producto CRAFTSMAN o daños al mismo que ocurran como resultado del hecho de no utilizar el Producto CRAFTSMAN de acuerdo con las instrucciones escritas, las directrices y los términos y condiciones que se establezcan en el Manual de Instrucciones.
- EN LA MEDIDA EN QUE LA LEY LO PERMITA, NO SEREMOS RESPONSABLES EN NINGÚN CASO POR DAÑOS INCIDENTALES, ESPECIALES, INDIRECTOS O EMERGENTES, INCLUSIVE CUALQUIER PÉRDIDA ECONÓMICA, TANTO SI SON EL RESULTADO DE UN RENDIMIENTO DEFICIENTE COMO DE UTILIZACIÓN, USO, USO INCORRECTO O INCAPACIDAD PARA UTILIZAR EL PRODUCTO CRAFTSMAN O NEGLIGENCIA POR PARTE DE ETC.

### Cómo obtener servicio

EE.UU. y Canadá: Para obtener los beneficios de la garantía, contáctenos llamando gratis al 1-888-331-4569 (México 001-888-331-4569). Le dirigiremos al centro de servicio más cercano para revisar su aspiradora con el fin de inspeccionarla, repararla o reemplazarla.

México: Para obtener los beneficios de la garantía, contáctenos llamando gratis al 001-888-331-4569. Le dirigiremos al centro de servicio más cercano para revisar su aspiradora con el fin de inspeccionarla, repararla o reemplazarla.

### No se aplica ninguna otra garantía expresa

Esta garantía limitada es la garantía única y exclusiva que se le proporciona a Usted. No se aplica ninguna otra garantía expresa, escrita u oral, incluyendo, SIN LIMITACIÓN, LAS GARANTÍAS DE COMERCIABILIDAD O IDONEIDAD PARA UN PROPÓSITO ESPECÍFICO. Ningún empleado, agente, distribuidor u otra persona está autorizado para alterar esta garantía limitada u ofrecer cualquier otra garantía en nombre Nuestro.

### Lo que haremos para corregir los problemas

EL REMEDIO ÚNICO Y EXCLUSIVO QUE USTED TIENE BAJO ESTA GARANTÍA LIMITADA ESTARÁ LIMITADO A LA REPARACIÓN, EL REEMPLAZO O EL REEMBOLSO DEL PRODUCTO CRAFTSMAN.

Después de que Usted se haya puesto en contacto con el Departamento de Servicio al Cliente de Productos CRAFTSMAN, Nosotros iniciaremos los procedimientos de la garantía, incluyendo una inspección física, sujeto a las exclusiones y al Período de Garantía que se establecen en el presente documento, para determinar si reparar o reemplazar el Producto CRAFTSMAN o darle a Usted un reembolso. La decisión de reparar o reemplazar su Producto CRAFTSMAN o darle un reembolso es a Nuestra discreción exclusiva. La reparación o los reemplazos que ETC le provea a Usted son sin costo alguno para Usted si están cubiertos bajo esta garantía limitada.

Si no podemos proporcionarle a Usted un Producto CRAFTSMAN reparado o de repuesto que sea adecuado, le daremos un reembolso igual al precio de compra de su Producto CRAFTSMAN o un crédito para utilizarlo hacia la compra de un Producto CRAFTSMAN nuevo. En el caso de cualquier disputa entre el CLIENTE Y NOSOTROS, cualquiera de las dos partes podrá optar por resolver dicha disputa mediante arbitraje vinculante. ESTO SIGNIFICA QUE SI TANTO EL CLIENTE OPTA POR EL ARBITRAJE VINCULANTE COMO SI NOSOTROS OPTAMOS POR DICHO ARBITRAJE, NINGUNA DE LAS DOS PARTES TENDRÁ DERECHO A LITIGAR DICHO RECLAMO ANTE UN TRIBUNAL NI A TENER UN JUICIO CON JURADO. LOS DERECHOS AL PROCESO DE DESCUBRIMIENTO, ASÍ COMO LOS DERECHOS DE APELACIÓN, ESTÁN LIMITADOS.

Esta garantía limitada le confiere a usted derechos legales específicos y es posible que usted tenga también otros derechos, que varían de un estado a otro. Algunos estados no permiten la exclusión de los daños incidentales o emergentes, por lo que es posible que la limitación que antecede no tenga aplicación.

# NOTES

## CONDICIONES

1. Para hacer efectiva esta garantía, deberá presentarse esta póliza debidamente sellada por el establecimiento que lo vendió, o la factura, o recibo, o comprobante en el que consten los datos específicos del producto objeto de la compraventa junto con el producto, en el establecimiento en que fue adquirido o en el nombre y domicilio del importador que aparece en este documento.

2. **SEARS OPERADORA MEXICO S.A. DE C.V.** se compromete a cambiar el producto sin ningún cargo para el consumidor y a cubrir los gastos de transportación que se deriven del cumplimiento de la presente garantía, dentro de la red de servicio.

### \*Para México:

Para obtener partes, componentes, accesorios y cobertura de garantía:  
Visite la tienda donde compró su aspiradora CRAFTSMAN  
o cualquier otra tienda Sears en México, o contacte a Servicio Técnico de Sears:  
Poniente 146 No. 669, Col. Industrial Vallejo,  
Azcapotzalco, Ciudad de México, C.P. 02300,  
Tel. 55-5130-3940

### Importador:

SEARS OPERADORA MEXICO S.A. DE C.V.  
Lago Zúrich No. 245, Edificio Presa Falcón Piso 7,  
Col. Ampliación Granada, Miguel Hidalgo,  
Ciudad de México, C.P. 11529,  
Tel. 5227-8000

Sello:

Fecha: \_\_\_\_\_

El consumidor podrá solicitar que se haga efectiva esta garantía y podrá obtener las partes, componentes, consumibles y accesorios en el nombre y domicilio del importador que aparece en este documento.

### CRAFTSMAN®

is a registered trademark of Stanley Black & Decker, Inc., used under license.  
es una marca registrada de Stanley Black & Decker, Inc., utilizada bajo licencia.  
est une marque déposée de Stanley Black & Decker, Inc., utilisée sous licence.

### © 2019 CRAFTSMAN

Product Manufactured by:	EMERSON TOOL COMPANY
Producto fabricado por:	8100 W. Florissant • St. Louis, MO 63136
Produit fabriqué par :	U.S. & Canada Only • É.-U. et Canada seulement • EE.UU. y Canadá solamente



## Free Manuals Download Website

<http://myh66.com>

<http://usermanuals.us>

<http://www.somanuals.com>

<http://www.4manuals.cc>

<http://www.manual-lib.com>

<http://www.404manual.com>

<http://www.luxmanual.com>

<http://aubethermostatmanual.com>

Golf course search by state

<http://golfingnear.com>

Email search by domain

<http://emailbydomain.com>

Auto manuals search

<http://auto.somanuals.com>

TV manuals search

<http://tv.somanuals.com>