



Operator's Manual

# Serenity Pellet Stove

ENGLISH

FRANÇAIS

## CAUTION

DO NOT DISCARD MANUAL!  
IMPORTANT OPERATING AND  
MAINTENANCE INSTRUCTIONS  
INCLUDED.



SAVE THESE INSTRUCTIONS AND  
LEAVE THIS MANUAL WITH ANY  
PERSON RESPONSIBLE FOR USE AND  
OPERATION.

## ATTENTION NE PAS JETER!

IMPORTANTES INSTRUCTIONS  
D'UTILISATION ET D'ENTRETIEN  
INCLUSES.

CONSERVEZ CES INSTRUCTIONS  
ET LAISSEZ CE MANUEL À TOUTE  
PERSONNE RESPONSABLE  
DE L'UTILISATION ET DU  
FONCTIONNEMENT.

## WARNING

PLEASE READ THIS ENTIRE  
MANUAL BEFORE INSTALLATION  
AND USE OF THIS PELLET  
FUEL-BURNING ROOM HEATER.  
FAILURE TO FOLLOW THESE  
INSTRUCTIONS COULD RESULT  
IN PROPERTY DAMAGE, BODILY  
INJURY OR EVEN DEATH.

## AVERTISSEMENT

VEUILLEZ LIRE CE MANUEL EN  
ENTIER AVANT D'INSTALLER  
ET D'UTILISER CET APPAREIL  
DE CHAUFFAGE AUTONOME À  
GRANULES, AFIN D'ÉCARTER LES  
RISQUES DE DÉGÂTS MATÉRIELS,  
DE BLESSURES CORPORELLES,  
VOIRE DE MORT.



## CAUTION

CONTACT LOCAL BUILDING OR FIRE OFFICIALS ABOUT RESTRICTIONS  
AND INSTALLATION INSPECTION REQUIREMENTS FOR YOUR AREA.

## ATTENTION

CONSULTER LES SERVICES DU BÂTIMENT OU D'INCENDIE LOCAUX  
CONCERNANT LES RESTRICTIONS ET LES EXIGENCES D'INSPECTION  
D'INSTALLATION EN VIGUEUR.

Get parts online at  
[www.CastleStoves.com](http://www.CastleStoves.com)



P/N: 12740

ECN: 10352

REV5: 05/01/14

© 2014 Ardisam Inc.

All Rights Reserved.

## WARNINGS AND SAFETY PRECAUTIONS

### Owner's Responsibility

- Accurate assembly and safe and effective use of the stove is the owner's responsibility.
- Read and follow all safety instructions.
- Carefully follow all assembly instructions.
- Maintain the stove according to directions and schedule included in this Castle operator's manual.
- Ensure that anyone who uses the stove is familiar with all controls and safety precautions.

### Special Messages

Your manual contains special messages to bring attention to potential safety concerns, stove damage as well as helpful operating and servicing information. Please read all the information carefully to avoid injury and stove damage.

**NOTE: General information is given throughout the manual that may help the operator in the operation or service of the stove.**

## IMPORTANT SAFETY PRECAUTIONS

Please read this section carefully. Operate the stove according to the safety instructions and recommendations outlined here and inserted throughout the text. Anyone who uses this stove must read the instructions and be familiar with the controls.



**THIS SYMBOL POINTS OUT IMPORTANT SAFETY INSTRUCTIONS WHICH IF NOT FOLLOWED COULD ENDANGER YOUR PERSONAL SAFETY. READ AND FOLLOW ALL INSTRUCTIONS IN THIS MANUAL BEFORE ATTEMPTING TO OPERATE THIS EQUIPMENT.**



### DANGER

**DANGER INDICATES A SERIOUS INJURY OR FATALITY WILL RESULT IF THE SAFETY INSTRUCTIONS THAT FOLLOW THIS SIGNAL WORD ARE NOT OBEYED.**



### WARNING

**WARNING INDICATES A SERIOUS INJURY OR FATALITY COULD RESULT IF THE SAFETY INSTRUCTIONS THAT FOLLOW THIS SIGNAL WORD ARE NOT OBEYED.**



### CAUTION

**CAUTION INDICATES YOU CAN OR YOUR EQUIPMENT CAN BE HURT IF THE SAFETY INSTRUCTIONS THAT FOLLOW THIS SIGNAL WORD ARE NOT OBEYED.**



### IMPORTANT

**IMPORTANT INDICATES HELPFUL INFORMATION FOR PROPER ASSEMBLY, OPERATION, OR MAINTENANCE OF YOUR EQUIPMENT.**



### WARNING

**YOU MUST READ, UNDERSTAND AND COMPLY WITH ALL SAFETY AND OPERATING INSTRUCTIONS IN THIS MANUAL BEFORE ATTEMPTING TO SETUP AND OPERATE YOUR STOVE.**

**FAILURE TO COMPLY WITH ALL SAFETY AND OPERATING INSTRUCTIONS CAN RESULT IN SERIOUS PERSONAL INJURY TO YOU AND/OR BYSTANDERS, AND RISK OF EQUIPMENT AND PROPERTY DAMAGE. THE TRIANGLE IN THE TEXT SIGNIFIES IMPORTANT CAUTIONS OR WARNINGS WHICH MUST BE FOLLOWED.**

## Serenity Pellet Stove

**WARNING**

**PLEASE READ THIS ENTIRE MANUAL BEFORE INSTALLATION AND USE OF THIS PELLET FUEL-BURNING ROOM HEATER. FAILURE TO FOLLOW THESE INSTRUCTIONS COULD RESULT IN PROPERTY DAMAGE, BODILY INJURY OR EVEN DEATH.**

**DO NOT STORE OR USE GASOLINE OR OTHER FLAMMABLE VAPORS AND LIQUIDS IN THE VICINITY OF THIS OR ANY OTHER APPLIANCE.**

**DO NOT OVERFIRE - IF ANY EXTERNAL PART STARTS TO GLOW, YOU ARE OVERFIRING. REDUCE FEED RATE. OVERFIRING WILL VOID THE WARRANTY.**

**COMPLY WITH ALL MINIMUM CLEARANCES TO COMBUSTIBLES AS SPECIFIED. FAILURE TO COMPLY MAY CAUSE A HOUSE FIRE.**

**WARNING**

**HOT SURFACE ! DO NOT TOUCH! SEVERE BURNS MAY RESULT. CLOTHING IGNITION MAY RESULT. GLASS AND OTHER SURFACES ARE HOT DURING OPERATION AND COOL DOWN.**

**KEEP CHILDREN AWAY.**

**CAREFULLY SUPERVISE CHILDREN IN SAME ROOM AS APPLIANCE.**

**DO NOT OPERATE WITH PROTECTIVE BARRIERS OPEN OR REMOVED.**

**KEEP CLOTHING, FURNITURE, DRAPERIES AND OTHER COMBUSTIBLES AWAY.**

**CAUTION**

**CHECK BUILDING CODES PRIOR TO INSTALLATION. CONTACT THE REGULATING AUTHORITY PRIOR TO INSTALLATION TO DETERMINE THE NEED FOR A PERMIT.**

**INSTALLATION MUST COMPLY WITH LOCAL, REGIONAL, STATE AND NATIONAL CODES AND REGULATIONS**

**CONSULT LOCAL BUILDING OR FIRE OFFICIALS ABOUT RESTRICTIONS AND INSTALLATION INSPECTION REQUIREMENTS IN YOUR AREA.**

**TESTED AND APPROVED FOR PELLET FUEL. BURNING ANY OTHER TYPE OF FUEL VOIDS WARRANTY.**

**CAUTION****DO NOT DISCARD**

**IMPORTANT OPERATING AND MAINTENANCE INSTRUCTIONS INCLUDED.**

**READ, UNDERSTAND AND FOLLOW THESE INSTRUCTIONS FOR SAFE INSTALLATION AND OPERATION.**

**LEAVE THIS MANUAL WITH PARTY RESPONSIBLE FOR USE AND OPERATION.**

# Serenity Pellet Stove



## WARNING

WARNING INDICATES A SERIOUS INJURY OR FATALITY COULD RESULT IF THE SAFETY INSTRUCTIONS THAT FOLLOW THIS SIGNAL WORD ARE NOT OBEYED.

READ THIS ENTIRE MANUAL BEFORE YOU INSTALL AND USE YOUR NEW PELLET STOVE. FAILURE TO FOLLOW INSTRUCTIONS MAY RESULT IN PROPERTY DAMAGE, BODILY INJURY, OR EVEN DEATH.

CHILDREN AND ADULTS SHOULD BE ALERTED TO THE HAZARDS OF HIGH SURFACE TEMPERATURES AND SHOULD STAY AWAY TO AVOID CONTACT TO SKIN AND/OR CLOTHING.

YOUNG CHILDREN SHOULD BE CAREFULLY SUPERVISED WHEN THEY ARE IN THE SAME ROOM AS THE STOVE.

CLOTHING AND OTHER FLAMMABLE MATERIALS SHOULD NOT BE PLACED ON OR NEAR THIS UNIT.

FLAMMABLE OR EXPLOSIVE LIQUIDS SUCH AS GASOLINE, NAPHTHA, ALCOHOL, OR ENGINE OIL MUST NEVER BE USED IN OR AROUND STOVE. THESE LIQUIDS MUST BE STORED IN A SEPARATE ROOM AS THE OPEN FLAME IN THE FIRE BOX COULD IGNITE THE FUMES OF SUCH LIQUIDS.

DO NOT BURN GARBAGE IN THIS UNIT. THE BURNING OF OTHER SOLID FUELS SUCH AS CORD WOOD OR WOOD CHIPS IN THIS STOVE IS NOT PERMITTED. ANY FUELS NOT CERTIFIED BY CASTLE PELLET STOVES WHICH ARE BURNED IN THIS STOVE WILL VOID THE WARRANTY.

DO NOT ROUTE POWER CORD IN HIGH TRAFFIC AREAS. A POWER SURGE PROTECTOR PLUGGED INTO A GROUNDED 110 VOLT POWER SOURCE IS REQUIRED.



## WARNING

DO NOT INSTALL A FLUE DAMPER IN THE EXHAUST VENTING SYSTEM OF THIS UNIT.

DO NOT CONNECT THIS UNIT TO A CHIMNEY FLUE SERVICING ANOTHER APPLIANCE.

DO NOT INSTALL IN A SLEEPING ROOM.

DO NOT CONNECT TO ANY AIR DISTRIBUTION DUCT OR SYSTEM.

- DO NOT CONNECT DIRECTLY TO A MASONRY CHIMNEY.

- DO NOT TERMINATE VENT IN ANY ENCLOSED OR SEMI-ENCLOSED AREA, SUCH AS; CARPORTS, GARAGE, ATTIC, CRAWL SPACE, UNDER A SUN DECK OR PORCH, NARROW WALKWAY OR CLOSED AREA, OR ANY LOCATION THAT CAN BUILD UP A CONCENTRATION OF FUMES SUCH AS A STAIRWELL, COVERED BREEZEWAY ETC.

- NEVER TOUCH DOOR LATCHES WHILE STOVE IS IN OPERATION; THEY GET EXTREMELY HOT.

PROPER INSTALLATION OF THIS STOVE IS NECESSARY FOR SAFE AND EFFICIENT OPERATION. INSTALLING THIS PRODUCT IMPROPERLY MAY RESULT IN A HOUSE FIRE AND PERSONAL INJURY.

ALL APPLICABLE BUILDING CODES FOR YOUR LOCATION MUST BE FOLLOWED. IN AREAS WHERE BUILDING CODES REQUIRE ADDITIONAL STEPS TO THE INSTALLATION OF THIS PRODUCT NOT INCLUDED IN THIS MANUAL, THE BUILDING CODES WILL TAKE PRECEDENT AND MUST BE FOLLOWED. CONTACT YOUR LOCAL BUILDING INSPECTOR TO OBTAIN ANY NECESSARY PERMITS OR INSPECTION GUIDELINES BEFORE INSTALLING THE PRODUCT.



## CAUTION

ALL APPLICABLE BUILDING CODES FOR YOUR LOCATION MUST BE FOLLOWED. IN AREAS WHERE BUILDING CODES REQUIRE ADDITIONAL STEPS TO THE INSTALLATION OF THIS PRODUCT NOT INCLUDED IN THIS MANUAL, THE BUILDING CODES WILL TAKE PRECEDENT AND MUST BE FOLLOWED. CONTACT YOUR LOCAL BUILDING INSPECTOR TO OBTAIN ANY NECESSARY PERMITS OR INSPECTION GUIDELINES BEFORE INSTALLING THE PRODUCT.

CONTACT LOCAL BUILDING OR FIRE OFFICIALS ABOUT RESTRICTIONS AND INSTALLATION INSPECTION REQUIREMENTS IN YOUR AREA.

CONTACT YOUR LOCAL AUTHORITY (SUCH AS MUNICIPAL BUILDING DEPARTMENT, FIRE DEPARTMENT, FIRE PREVENTION BUREAU, ETC.) TO DETERMINE THE NEED FOR A PERMIT.

THE CASTLE PELLET STOVES PELLET STOVE IS DESIGNED TO BURN PELLET FUEL ONLY.

A WORKING SMOKE DETECTOR IS REQUIRED AND MUST BE INSTALLED IN THE SAME ROOM AS THE STOVE.

THIS STOVE IS NOT INTENDED FOR USE IN COMMERCIAL APPLICATIONS.

DOOR AND ASH PAN MUST BE CLOSED AND LATCHED DURING OPERATION.

NOTIFY YOUR INSURANCE COMPANY OF PELLET STOVE INSTALLATION.

THIS INSTALLATION MUST CONFORM WITH LOCAL CODES. IN THE ABSENCE OF LOCAL CODES YOU MUST COMPLY WITH ASTM E1509, (UM) 84-HUD, ULC/ORDC-1482, AND UCL S627-2000.

THE STRUCTURAL INTEGRITY OF THE MANUFACTURED HOME FLOOR, WALL, AND CEILING/ROOF MUST BE MAINTAINED.

KEEP COMBUSTIBLE MATERIALS (SUCH AS GRASS, LEAVES, ETC.) AT LEAST THREE FEET AWAY FROM THE FLUE OUTLET ON THE OUTSIDE OF THE BUILDING.

THIS STOVE SHOULD NOT BE USED AS THE ONLY SOURCE OF HEAT IN THE HOUSE. POWER OUTAGES AND PERIODIC MAINTENANCE WILL RESULT IN A TOTAL LOSS OF HEAT.

DO NOT LEAVE HOPPER DOOR OPEN.



## CAUTION

INSTALLATION AND REPAIR OF THIS PELLET STOVE SHOULD BE DONE BY A QUALIFIED SERVICE PERSON. THE APPLIANCE SHOULD BE INSPECTED BEFORE USE AND AT LEAST ONCE A YEAR BY A QUALIFIED SERVICE PERSON. IT IS IMPERATIVE THAT THE CONTROL COMPARTMENTS, FIRE BOX, AND THE CIRCULATING AIR PASSAGEWAYS OF THE STOVE BE KEPT CLEAN.

THE OPERATION OF EXHAUST FANS SUCH AS BATHROOM FANS, ATTIC FANS, ETC. MIGHT STARVE THE PELLET STOVE OF COMBUSTIBLE AIR CREATING A NEGATIVE PRESSURE IN THE ROOM. PROVIDE ADEQUATE VENTILATION OF THE ROOM ACCOMPANYING THE PELLET STOVE. IF NOT, THE PRESSURE SWITCH MAY SHUT OFF OPERATION OF THE PELLET STOVE.

THE MOVING PARTS OF THIS STOVE ARE PROPELLED BY HIGH TORQUE ELECTRIC MOTORS. THESE PARTS CAN CAUSE SEVERE DAMAGE TO BODY PARTS THAT GET NEAR THEM. KEEP ALL BODY PARTS AWAY FROM AUGER AND FANS WHILE THE STOVE IS PLUGGED INTO AN ELECTRICAL OUTLET. THESE MOVING PARTS MAY BEGIN TO MOVE AT ANY TIME THE STOVE IS PLUGGED IN.

THE VENT SURFACES CAN GET HOT ENOUGH TO CAUSE BURNS IF TOUCHED. NONCOMBUSTIBLE SHIELDING OR GUARDS MAY BE REQUIRED.

INSTALL VENT AT CLEARANCES SPECIFIED BY THE VENT MANUFACTURER.

ALL VENTING JOINTS, WHETHER VERTICAL OR HORIZONTAL, SHOULD BE MADE GAS-TIGHT WITH RECOMMENDED SEALANTS SPECIFIED BY VENT MANUFACTURER.

ACCORDING TO HUD (HOUSING & URBAN DEVELOPMENT) REQUIREMENTS, WHEN INSTALLED IN A MOBILE HOME, THIS STOVE MUST BE GROUNDED DIRECTLY TO THE STEEL CHASSIS OF THE MOBILE HOME AND BOLTED TO THE FLOOR. DIRECT AIR ACCESS MUST BE PROVIDED, USE A FRESH AIR KIT.

FOR USE IN THE UNITED STATES AND CANADA. APPROVED FOR INSTALLATION IN MOBILE HOMES.

CASTLE PELLET STOVES, PRODUCER OF THIS APPLIANCE, RESERVES THE RIGHT TO ALTER ITS PRODUCTS, SPECIFICATIONS AND/OR PRICE WITHOUT NOTICE.



# Serenity Pellet Stove

## TABLE OF CONTENTS

WARNINGS AND SAFETY PRECAUTIONS.....2-5

Table of Contents .....6

REGISTRATION, SERVICE AND MAINTENANCE LOG .....7

INTRODUCTION.....8

    Burning Pellet Fuel.....8

    Automatic Safety Features.....8

SPECIFICATIONS.....9

UNPACKING .....9

INSTALLATION.....10

    Stove Placement.....10

    Floor Protection Requirements.....10

    Clearance to Combustibles.....11

    Venting.....12

    Type of Vent.....12

    Pellet Vent Installation.....12

    Preferred Pellet Vent Termination Clearances.....12-14

    Outside Air Connection.....15

    Mobile Home.....15

    Venting Installation Examples.....16-21

UNDERSTANDING YOUR STOVE .....22

BECOMING FAMILIAR WITH YOUR CONTROLLER .....22

MAIN OPERATION CONTROLLER SCREEN DISPLAY.....23

PRE-OPERATION.....24

    Mounting Your Controller .....24

    Prior to Starting.....24

OPERATION.....25

    Start-up.....25

    Working in Different Operation Modes.....25

    Setting Other Data On Your Controller.....26-28

DIAGNOSTICS.....29

    Restoring Defaults .....29

SHUT DOWN PROCEDURE.....29

MAINTENANCE .....30

    Normal Care and Maintenance .....30

    Daily Maintenance Tasks.....31

    Weekly, Monthly, and Bi-Monthly Tasks .....31

TROUBLESHOOTING AND REPAIR.....33

ORDERING REPLACEMENT PARTS.....33

TROUBLESHOOTING GUIDE.....34-35

ILLUSTRATED PARTS BREAKDOWN .....36-41

**\* For warranty information, visit [www.castlestoves.com](http://www.castlestoves.com).**





# Serenity Pellet Stove

## INTRODUCTION

Congratulations on your investment in quality. Thank you for your purchase on a Castle Pellet Stove. We have worked to ensure that this pellet stove meets the highest standards for usability and durability. With proper care, your stove will provide many years of dependable service. Please read entire manual before installation and use.

### Burning Pellet Fuel

Ashes need to be removed from the stove periodically. See "Normal Care and Maintenance" section for cleaning procedure. Due to the nature of pellet fuels, this stove will require attention periodically. Regular cleaning is an important part of burning pellet fuel.

### Pellets

- This pellet stove is designed and approved to burn wood pellets, that comply with pellet fuels industry standards. Minimum of 40 lbs. density per cubic foot, 1/4" to 5/16" in diameter, with a maximum length of 1-1/2", and less than 1% ash.
- The performance of your pellet stove is greatly affected by the type and quality of wood pellets. As the heat output of various quality wood pellets differ, so will the performance and heat output of the pellet stove.
- Wood pellets are generally produced out of wood waste such as sawdust and shavings. The raw material is dried, mechanically fractioned to size and extruded into pellets under high pressure. Wood pellets need to be protected from direct exposure to water. Water from sources such as condensation and humidity causes pellets to expand and break down into unusable fuel. Keep fuel dry.
- It is important to select and use only pellets that are dry and free from dirt and debris. Dirty fuel will adversely affect the operation and performance of the unit and will void the warranty. The Pellet Fuel Institute (PFI) has established standards for wood pellet manufacturers. Only use pellets that meet or exceed PFI standards for premium fuels.

### Clinkers

- Impurities, such as silica (clinkers), will need to be regularly cleaned and removed from the pellet stove. Clinkers will form a hard mass and block airflow through the pot liner. High quality fuels will result in fewer clinkers.



### WARNING

**IF THE ELECTRICAL POWER FAILS ANY TIME WHEN THE STOVE IS HOT, KEEP ALL STOVE DOORS CLOSED.**

**THE AUTOMATIC SAFETY FEATURES MUST NOT BE BYPASSED.**



### CAUTION

**BURNING WOOD PELLETS ACCORDING TO RECOMMENDATIONS WILL ASSURE LONGER STOVE LIFE AND LESS FUEL RELATED PROBLEMS.**

**THE USE OF GRATES OR OTHER METHODS OF SUPPORTING THE FUEL IN THIS STOVE IS PROHIBITED AND WILL VOID ALL WARRANTIES.**

### Automatic Safety Features

#### Power Outage

During a power outage, the stove will shutdown safely. Do not open the main door or ash door. During a power failure the exhaust fan will not run. Keeping the doors sealed will allow the exhaust vent to draft out naturally. When the power is restored, the stove will not restart. If the exhaust temperature is still 120 degrees Fahrenheit when power is restored, the exhaust and convection fans will continue to run until the stove cools. See "Operation" section for instructions on restarting the stove.

#### Overheating

**Over Fire Protection:** If the stove is being over fired or burning too hot, the high limit switches will automatically shut down the stove to avoid damage to components. The exhaust fan will continue to run until the proof of fire switch cools. Allow stove to cool before attempting to re-ignite. See the "Operation" section for more information.





# Serenity Pellet Stove

## SPECIFICATIONS

Model Number	Serenity
BTU/hour input (1)	4.0 lbs/hr
Heating Capacity (2)	1,500 sq. ft.
Electrical Rating (3)	115 Volts, 60 Hz
Power Consumption	402 Watts ignition 77 Watts operating
Fuel Storage Capacity	40 lb
Flue Size (4)	3 in.
Width	18.25 in.
Height	34 in.
Depth	23.75 in.
Weight	186 lb

- (1) Heat output will vary, depending on the brand, type and quality of fuel and the moisture content. Consult your dealer for best results.
- (2) Based on post 1982 home construction, requiring 35 BTU/Hr. per Sq. Ft.
- (3) Install per NFPA 70 and follow all state and local codes, contact licensed electrical contractor for assistance.
- (4) Install per NFPA 211 and follow all state and local codes, contact licensed installers for assistance.

Listing label:



Tested to the following standards: UL1482, ASTM E1509, ULC/ORD-C1482-M1990, UCL S627-2000, and E2779

### Glass Specifications:

This stove is equipped with 5 mm ceramic glass. Replace glass only with Castle Pellet Stoves ceramic glass. Call your servicing dealer or Castle at 1-800-345-6007 for replacement parts.



## CAUTION

**THIS INSTALLATION MUST CONFORM WITH LOCAL CODES. IN THE ABSENCE OF LOCAL CODES YOU MUST COMPLY WITH ASTM E1509, (UM) 84-HUD, ULC/ORD-C-1482 AND AND UCL S627-2000.**

**CASTLE PELLET STOVES, MANUFACTURER OF THIS APPLIANCE, RESERVES THE RIGHT TO ALTER ITS PRODUCTS AND/OR THEIR SPECIFICATIONS WITHOUT NOTICE.**

**MAKE SURE THE HOPPER IS FREE OF ALL FOREIGN MATTER BEFORE FILLING WITH FUEL. FOREIGN MATERIAL WILL CAUSE AUGER JAMS AND WILL VOID STOVE WARRANTY.**

## UNPACKING

Your Castle Serenity will come fully assembled. Remove all packing material and tape from the inside of the firebox. Remove any tape on the outside of the glass. Open the hopper, remove all packing material and power cord.

## INSTALLATION

It is recommended the stove be installed and serviced by authorized professionals who are certified by the National Fireplace Institute (NFI) as NFI Pellet Specialists.

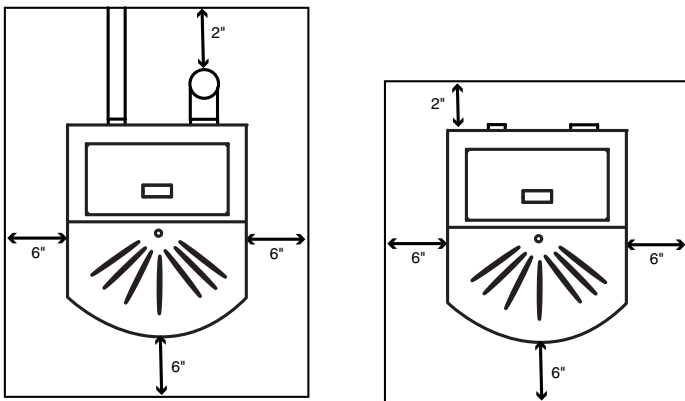
Proper installation of this stove is necessary for safe and efficient operation. Installing this product improperly may result in a house fire and personal injury. All applicable building codes for your location must be followed. In areas where building codes require additional steps to the installation of this product not included in this manual, the building codes will take precedent and must be followed. Contact your local building inspector to obtain any necessary permits or inspection guidelines before installing the product.

### Stove Placement

Sketch out a plan for installing the stove including dimensions before permanent placement. When determining the location for the stove, wall stud location is critical. You may need to adjust the location of the stove to avoid trying to vent through a wall stud. Before placing the pellet stove, connect the vent and allow for minimum clearance to combustible walls.

### Floor Protection Requirements

The stove must be installed on a noncombustible floor, with proper floor protection, or on a masonry hearth. When a clean out t-vent is installed in the inside of a home, the floor protector must extend 2" beyond rear of t-vent. **SEE FIGURE 1.** When stove is vented straight through the wall and the clean out t-vent is on the exterior of the home, the minimum clearance is 2" from the back of the stove to the wall. **SEE FIGURE 2.** The minimum floor protector material is 24 GA sheet metal.



Figures 1 And 2: Pellet Stove Floor Pad Clearances



## WARNING

**READ THIS ENTIRE MANUAL BEFORE YOU INSTALL AND USE THIS STOVE. FAILURE TO FOLLOW THE INSTRUCTIONS MAY RESULT IN PROPERTY DAMAGE, BODILY INJURY, OR EVEN DEATH.**

**DO NOT INSTALL A FLUE DAMPER IN THE EXHAUST VENTING SYSTEM OF THIS UNIT.**

**DO NOT CONNECT THIS UNIT TO A CHIMNEY FLUE SERVING ANOTHER APPLIANCE.**

**CHILDREN AND ADULTS SHOULD BE ALERTED TO THE HAZARDS OF HIGH SURFACE TEMPERATURES AND SHOULD STAY AWAY TO AVOID BUMPS TO SKIN AND/OR CLOTHING.**

**YOUNG CHILDREN SHOULD BE CAREFULLY SUPERVISED WHEN THEY ARE IN THE SAME ROOM AS THE STOVE.**

**CLOTHING AND OTHER FLAMMABLE MATERIALS SHOULD NOT BE PLACED ON OR NEAR THIS UNIT.**



## CAUTION

**THIS STOVE SHOULD NOT BE USED AS THE ONLY SOURCE OF HEAT IN THE HOUSE. POWER OUTAGES AND PERIODIC MAINTENANCE WILL RESULT IN A TOTAL LOSS OF HEAT.**

**CONTACT LOCAL BUILDING OR FIRE OFFICIALS ABOUT RESTRICTIONS AND INSTALLATION INSPECTION REQUIREMENTS IN YOUR AREA.**

**CONTACT YOUR LOCAL AUTHORITY (SUCH AS MUNICIPAL BUILDING DEPARTMENT, FIRE DEPARTMENT, FIRE PREVENTION BUREAU, ETC.) TO DETERMINE THE NEED FOR A PERMIT.**

**KEEP COMBUSTIBLE MATERIALS (SUCH AS GRASS, LEAVES, ETC.) AT LEAST 3 FEET AWAY FROM THE FLUE OUTLET ON THE OUTSIDE OF THE BUILDING.**

**INSTALLATION AND REPAIR OF THIS PELLET STOVE SHOULD BE DONE BY A QUALIFIED SERVICE PERSON. THE APPLIANCE SHOULD BE INSPECTED BEFORE USE AND AT LEAST ANNUALLY BY A QUALIFIED SERVICE PERSON. IT IS IMPERATIVE THAT CONTROL COMPARTMENTS, FIRE BOX, AND CIRCULATING AIR PASSAGeways OF THE STOVE BE KEPT CLEAN.**

## Clearances To Combustibles

**NOTE:** These are minimum clearances to combustible walls established by the ASTM testing lab. (SEE FIGURES 3, 4, 5, & 6.)

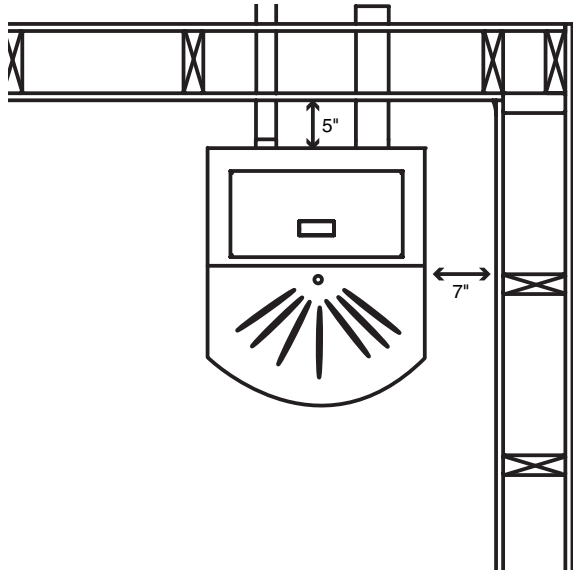


Figure 3: Straight Installation Through Wall

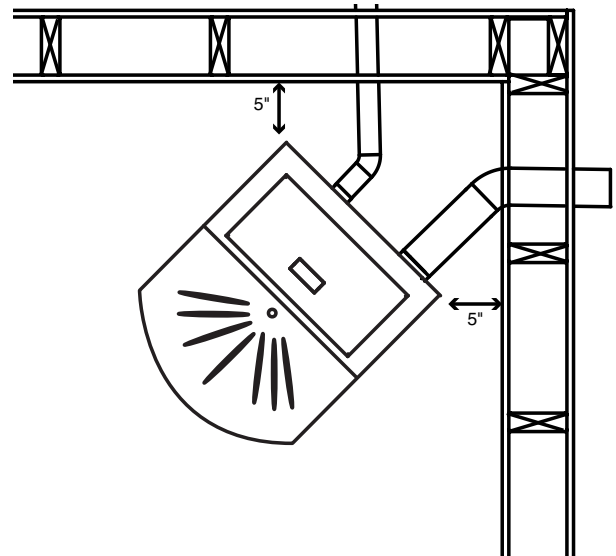


Figure 4: Corner Installation Through The Wall Vents

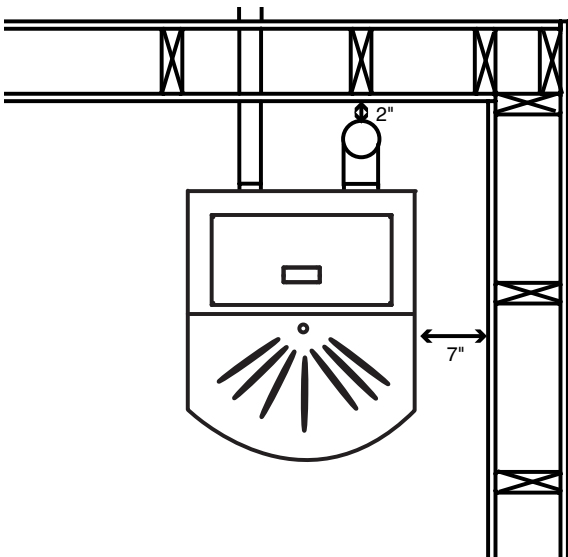


Figure 5: Straight Installation Interior Vertical Vents

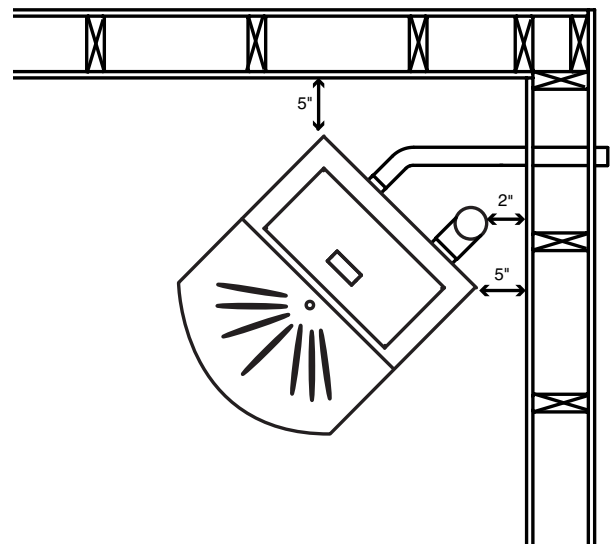


Figure 6: Corner Installation Interior Vertical Vents

**NOTE:** When interior vent is installed vertically, the clearance to the back wall is determined by the vent size used. Install vent at clearance specified by the vent manufacturer. Take into consideration any upward turning elbows or tees.

## Venting

**Before venting, consult vent manufacturer's specifications and recommendations for all venting installations.**

The following installation guidelines must be followed to ensure conformity with both the safety listing of this stove and to local building codes.

**Note: Where passage through a wall, or partition of combustible construction is desired, the installation shall conform to CAN/CSA -8365.**

## Type Of Vent

The pellet venting pipe (also known as L vent) is constructed of two layers with air space between the layers. This air space acts as an insulator and reduces outside surface temperature of pipe to allow a clearance to combustibles.

A UL listed 3" or 4" type L pellet vent exhaust system must be used for installation and attached to the pipe connector provided on the back of the stove. Use a 3" to 4" adapter for 4" pipe. A cap must be used at the termination of type L vent chimneys. For elevations above 2,500 feet above sea level, a 4" L is required.

## Pellet Stove Vent Installation

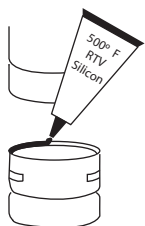
Vent termination **MUST** exhaust above air inlet elevation.

It is recommended to install at least three feet (3') of vertical pellet vent pipe. This vertical pipe will create some natural draft to prevent the possibility of smoke or odor during appliance shutdown and will keep exhaust from causing a nuisance or hazard from exposure to high temperatures.

The installation must include a clean out tee to enable collection of fly ash and to permit periodic cleaning of the exhaust system.

Total length of horizontal vent must not exceed 10 feet. The maximum recommended vertical venting height is 18 feet.

All joints for pellet vent are required to be fastened with at least three screws and all pellet vent connections (including adapters, elbows, etc.) should be sealed airtight by injecting 500° F. RTV silicone into the gap between sections.



The area where the vent pipe goes through to the exterior of the home must be sealed with silicone or other means to maintain the vapor barrier between the exterior and the interior of the home.



## CAUTION

**DO NOT CONNECT THIS UNIT TO A CHIMNEY FLUE SERVING ANOTHER APPLIANCE.**

**DO NOT INSTALL A FLUE DAMPER IN THE EXHAUST VENTING SYSTEM OF THIS UNIT.**

**DO NOT CONNECT DIRECTLY TO A MASONRY CHIMNEY.**

**DO NOT TERMINATE VENT IN ANY ENCLOSED OR SEMI-ENCLOSED AREA, SUCH AS; CARPORTS, GARAGE, ATTIC, CRAWL SPACE, UNDER A SUN DECK OR PORCH, NARROW WALKWAY OR CLOSED AREA, OR ANY LOCATION THAT CAN BUILD UP A CONCENTRATION OF FUMES SUCH AS A STAIRWELL, COVERED BREEZEWAY ETC.**



## WARNING

**VENT SURFACES CAN GET HOT ENOUGH TO CAUSE BURNS IF TOUCHED. NONCOMBUSTIBLE SHIELDING OR GUARDS MAY BE REQUIRED.**

**PELLET VENT MUST MAINTAIN MINIMUM CLEARANCES SPECIFIED BY VENT MANUFACTURER FOR CLEARANCE TO ANY COMBUSTIBLES.**

**INSTALL VENT AT CLEARANCES SPECIFIED BY THE VENT MANUFACTURER.**

**ALL VENTING, WHETHER VERTICAL OR HORIZONTAL, JOINTS SHOULD BE MADE GAS-TIGHT WITH RECOMMENDED SEALANTS.**

## Preferred Pellet Vent Termination Clearances

- The stove vent must terminate on the outside of the building. Horizontal terminations must extend a minimum of 12" from the wall. Vertical terminations must protrude a minimum 24" from the roof surface. **In addition, all clearances listed below must be met. SEE FIGURE 7.**
- Must have an approved cap (to prevent water from entering) or a 45° downturn with rodent screen.
- If the termination is located on a windy side of the house, we suggest using an approved house shield to prevent soot from building up on the side of the house.
- A vent must not be located where it will become plugged by snow or other material.

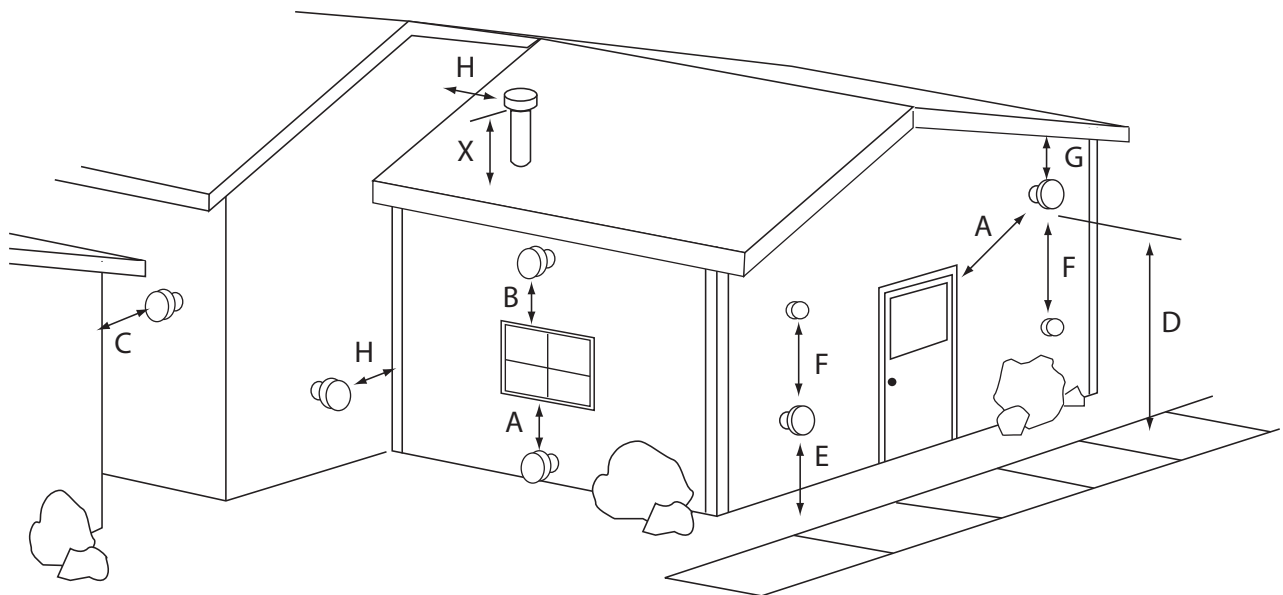


Figure 7: Vent Termination

- A: A Minimum 4' clearance below or beside any door or window that opens. (This clearance may be reduced to 18" if using outside air). We recommend the door or window be kept closed during operation. Minimum 1' clearance below or beside any window that does not open.
- B: Minimum 1' clearance above any door or window that opens.
- C: Minimum 2' clearance from any adjacent building.
- D: Minimum 7' clearance above any grade when adjacent to public walkways.
- NOTE: Vent may not terminate in covered walkway or breezeway.**
- E: Minimum 2' clearance above any grass, plants, or other combustible materials.
- F: Minimum 3' clearance from any forced air intake of any other appliance.
- G: Minimum 2' clearance below eaves or overhangs.
- H: Minimum 1' clearance horizontally from combustible wall.
- X: Must be a minimum of 2' above the roof.

## Venting The Pellet Stove (See Figures 8 through 16.)



### CAUTION

**MAKE SURE PELLET STOVE IS VENTED CORRECTLY. DO NOT INSTALL FLUE DAMPER IN THE EXHAUST VENTING SYSTEM OF THIS UNIT.**

**USE AN APPROVED WALL THIMBLE WHEN PASSING THE VENT THROUGH WALLS. USE A CEILING SUPPORT/FIRE STOP SPACER WHEN PASSING THE VENT THROUGH CEILINGS (MAKE SURE TO MAINTAIN CLEARANCE TO ANY COMBUSTIBLES.)**

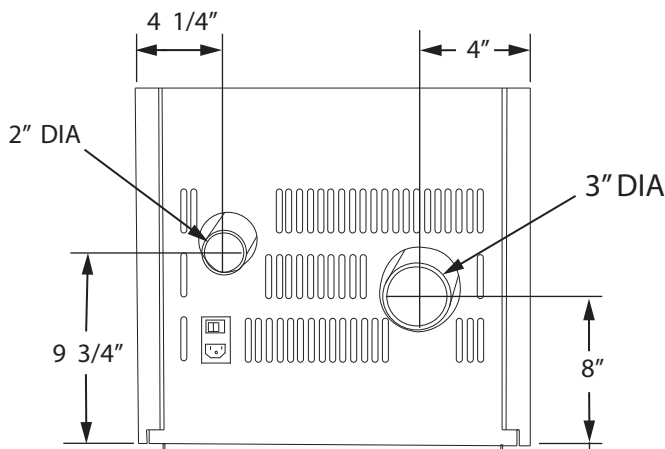
**IF USING MORE THAN ONE TEE AND 180° OF ELBOWS, YOU MUST USE 4" VENTING PIPES.**

**NOTE:** *In order to achieve optimum performance, it is recommended that you keep the vent as short as possible, especially in regards to the horizontal run.*

The vent must have a support bracket every 5' of pellet vent when on the exterior of the structure.

The vent height and run must not exceed the distance as illustrated in the diagram below.

Venting into this (the lighter) shaded area may require combustion motor voltage adjustments and/or inlet air adjustments (intake). **SEE FIGURE 9.**



**NOTE: THE ADJUSTABLE FOOT PAD CAN ADD UP TO 1 INCH TO HEIGHT MEASUREMENTS DEPENDING ON YOUR INSTALLATION LEVELING REQUIREMENTS. THIS DIMENSION MUST BE ADDED TO THE HEIGHT FOR PROPER INSTALLATION OF VENT PIPES.**

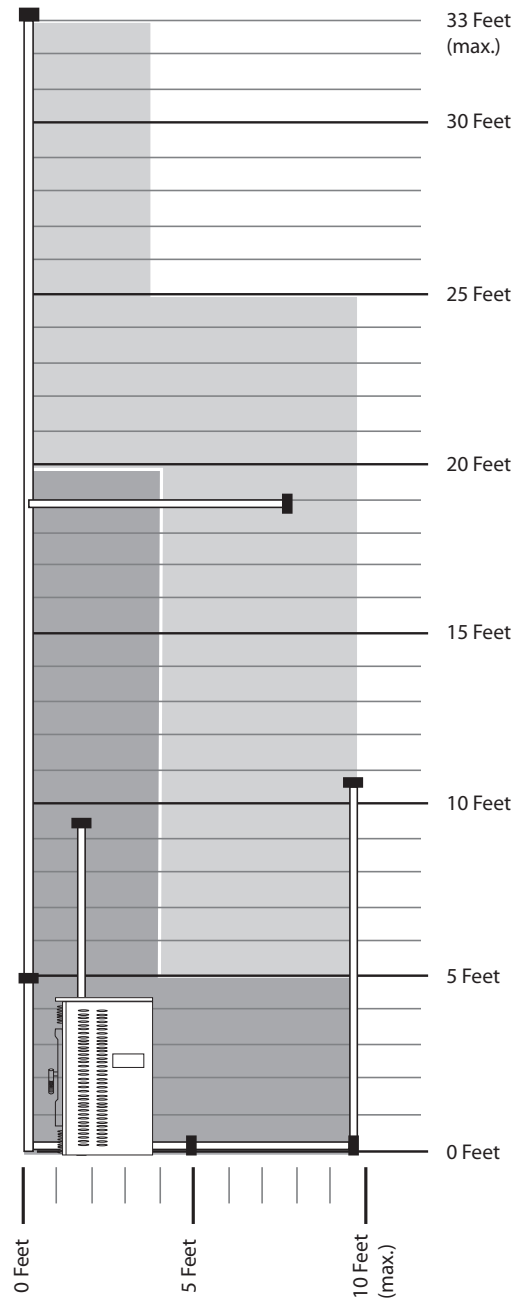


Figure 9: Venting and Combustion Motor Voltage Adjustment Chart

Figure 8: Intake and Exhaust Positions



# Serenity Pellet Stove

## Outside Air Connection

Connection from the intake pipe (2" diameter pipe in rear of stove, See Figure 8) to the outside of the house is **REQUIRED** for mobile home installation. It is recommended in tightly sealed homes with exhaust fans such as kitchen or bathroom fans. This will eliminate poor performance due to negative pressure.

Only noncombustible pipe 2" (or greater) in diameter is approved to use for outside air connections (straight or flexible).

**NOTE: PVC pipe is NOT approved and should NEVER be connected to the stove.**

**HINT: A Castle Pellet Stove air inlet will accept automotive exhaust pipes and couplers**

If the air inlet is connected to the outside, it **MUST** be terminated with a vertical 90° bend (down) or with a wind hood. Failure to do so could result in a burn back during high winds blowing directly up the air inlet during a simultaneous power failure.

Blockage, excessive length, or extra bends in the air intake pipe will starve the stove of combustion air. A 90° bend is equivalent in restriction to approximately 30" of straight inlet pipe.

## Mobile Home

Installation in a mobile home should be in accordance with the manufactured home and safety standard. *Department of Housing and Urban Development (HUD) CITE: 24CFR3280.707* stating this stove must be vented to the outside. In addition to the standard installation instructions, the following requirements are mandatory for installation in a mobile home:

1. The stove must be permanently attached to the floor.
2. Stove must have an outside air source.
3. Stove must be electrically grounded to the steel chassis of the mobile home.
4. All vertical chimney vents must have wall supports.
5. All exhaust systems must have a spark arrestor.
6. Check with local building officials to see if other codes may apply.



## WARNING

**CARBON MONOXIDE POISONING HAZARD. DO NOT CONNECT TO ANY AIR DISTRIBUTION DUCT OR SYSTEM. DO NOT INSTALL IN A SLEEPING ROOM.**



## CAUTION

**THE OPERATION OF EXHAUST FANS SUCH AS BATHROOM FANS, ATTIC FANS, ETC. MIGHT STARVE THE PELLETT STOVE OF COMBUSTIBLE AIR CREATING A NEGATIVE PRESSURE IN THE ROOM. PROVIDE ADEQUATE VENTILATION IN THE ROOM ACCOMPANYING THE PELLETT STOVE. IF NOT, THE PRESSURE SWITCH MAY SHUT OFF OPERATION OF THE PELLETT STOVE.**

**THE STRUCTURAL INTEGRITY OF THE MANUFACTURED HOME FLOOR, WALL, AND CEILING/ROOF MUST BE MAINTAINED.**

## SIMPLE STOVE VENTILATION EXAMPLES

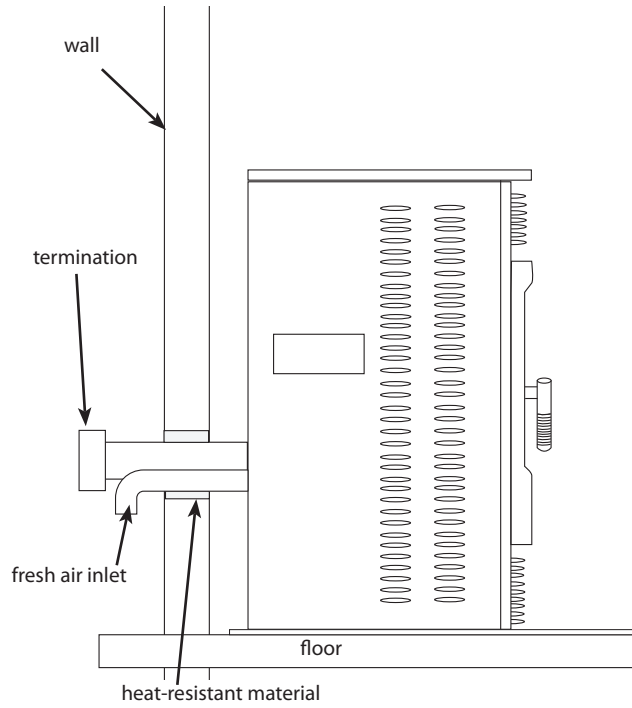


Figure 10: Straight Installation--outside, through wall installation

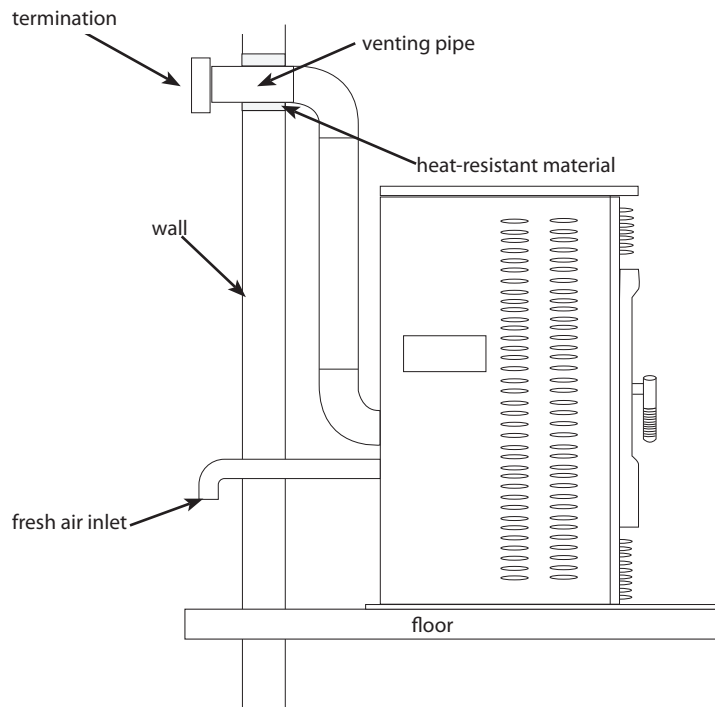
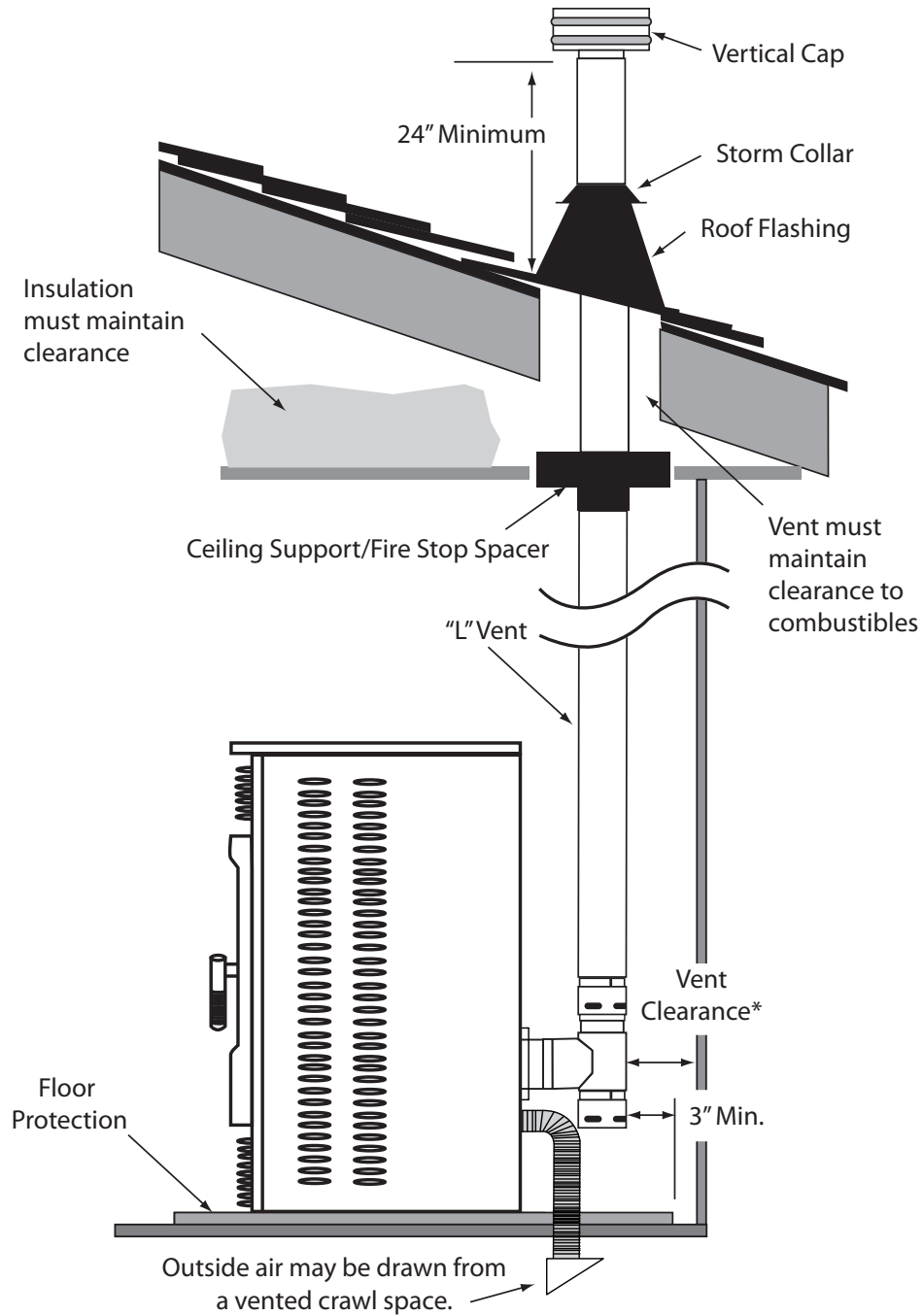


Figure 11: Straight Installation—Inside Vertical Rise, Horizontal Termination



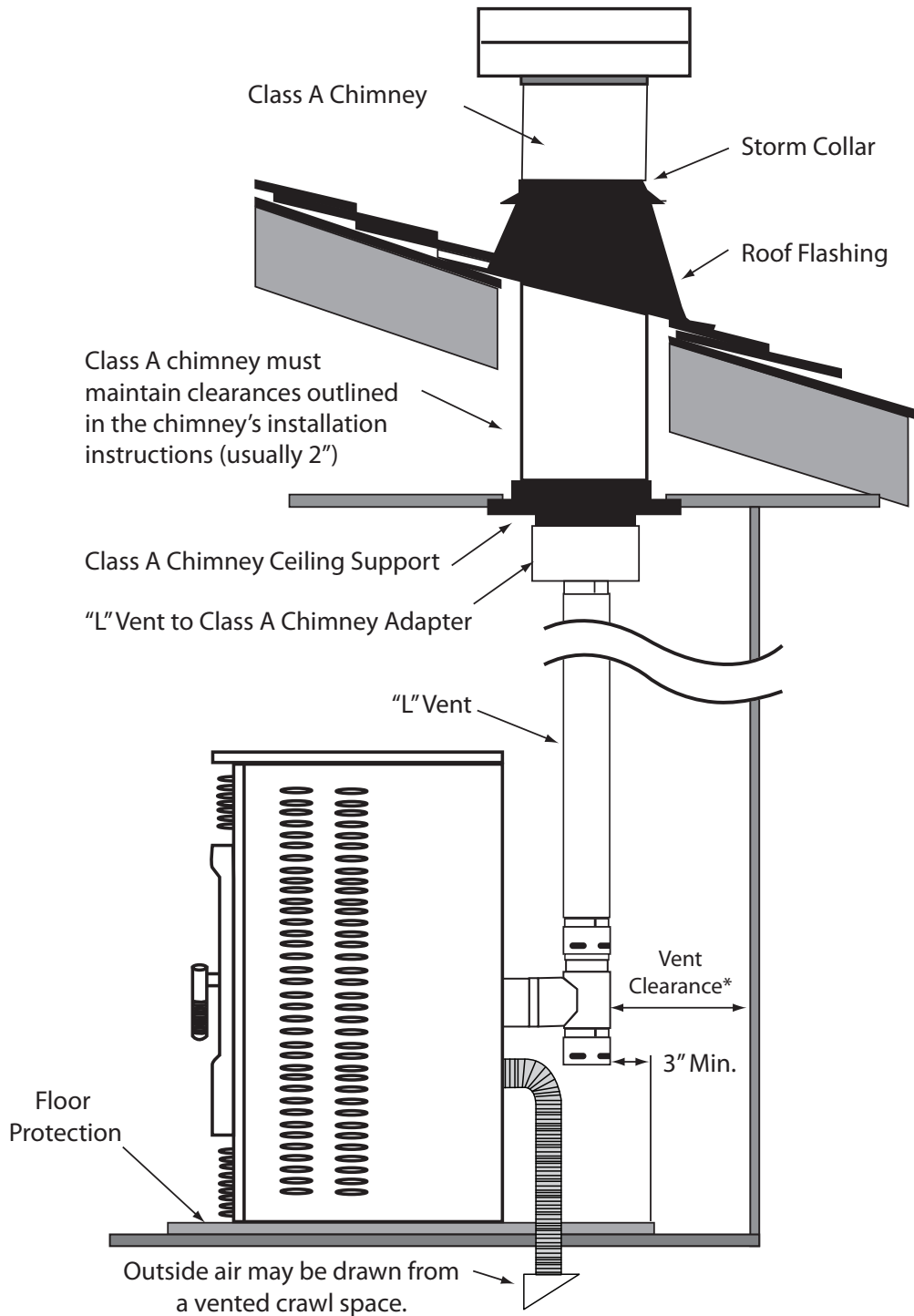
## COMPLEX STOVE VENTILATION EXAMPLES



\* Install a vent at clearance specified by the vent manufacturer

Figure 12: Interior Vertical Installation

## CLASS A CHIMNEY RETROFIT



\* Install a vent at clearance specified by the vent manufacturer

Figure 13: Class A Chimney Retrofit

## MASONRY FIREPLACE HEARTH STOVE

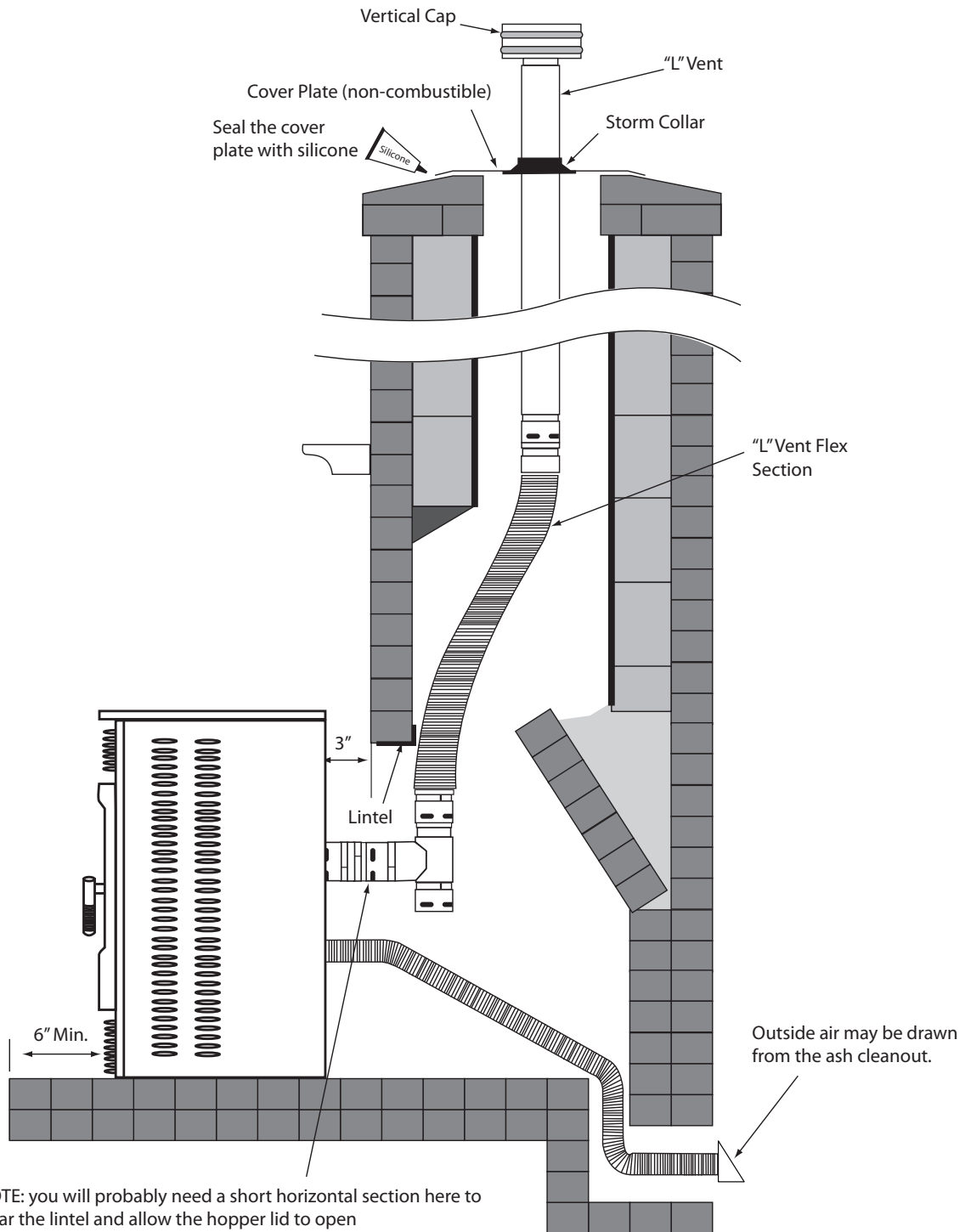
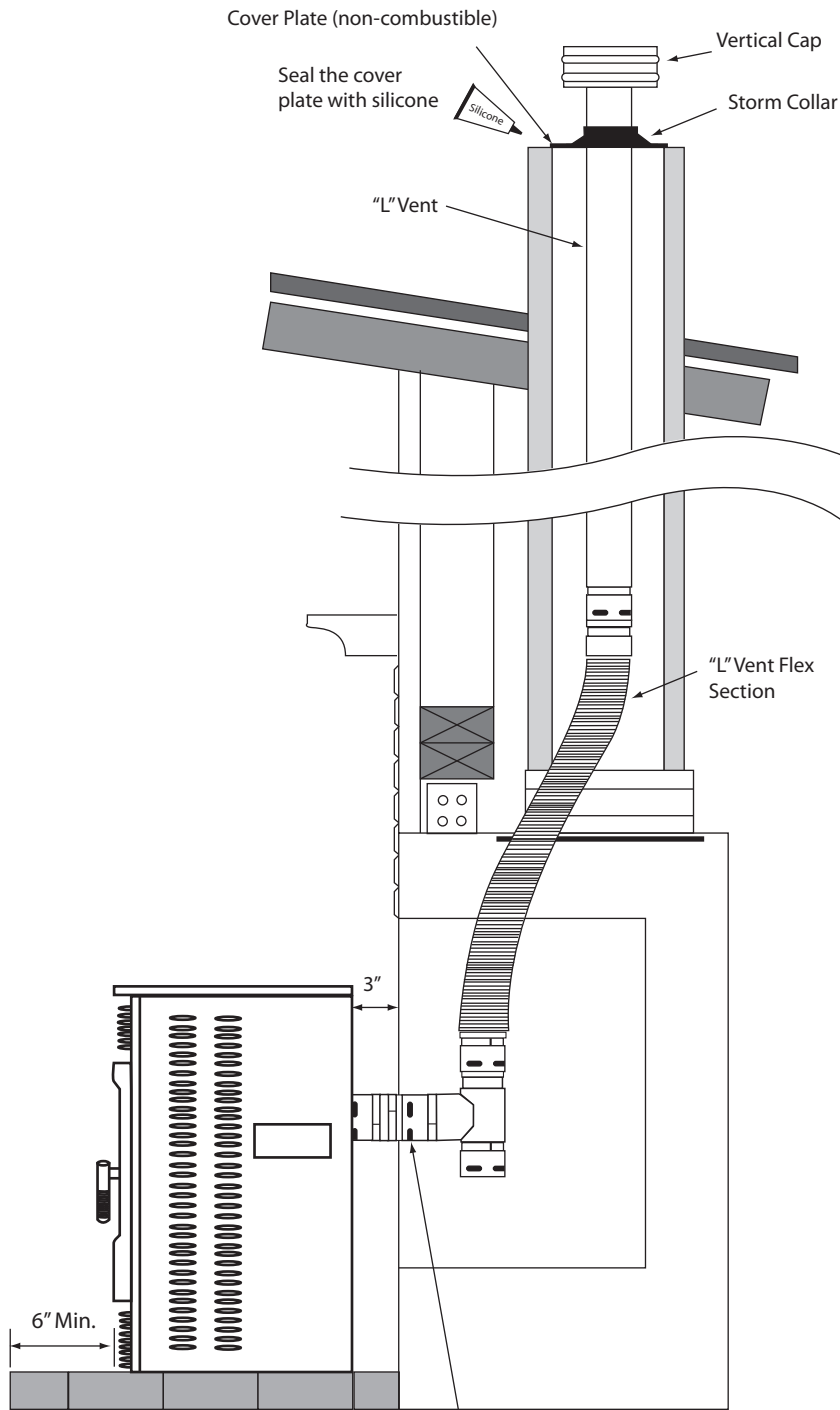


Figure 14: Masonry Fireplace Hearth Stove

## ZERO-CLEARANCE (METAL) FIREPLACE HEARTH STOVE



NOTE: you will probably need a short horizontal section here to clear the lintel and allow the hopper lid to open.

Figure 15: Zero-Clearance (Metal) Fireplace Hearth Stove

## FREESTANDING MASONRY CHIMNEY

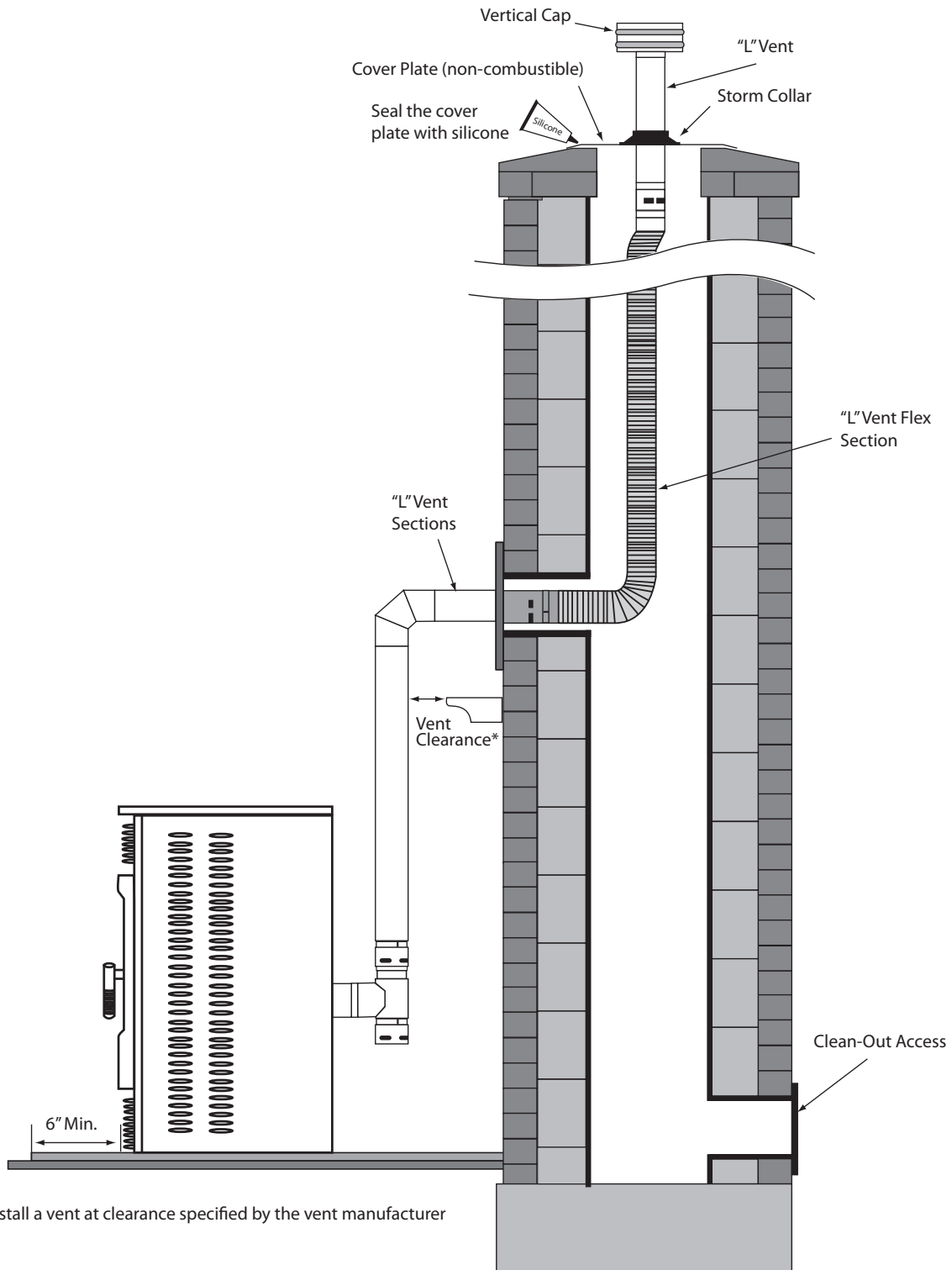


Figure 16: Freestanding Masonry Chimney

## UNDERSTANDING YOUR STOVE

Your Castle Pellet Stove utilizes a vertical auger fuel feed system that is operated by a microprocessor controlled digital circuit board. The digital circuit board allows the vertical auger fuel system to run in a timer based, non-continuous cycle; this cycling allows the auger to run for a predetermined amount of time. The auger pushes pellets up a chute located in the hopper. The pellets will then turn and fall through another chute into the burn pot. Your stove is equipped with an automatic ignition system that should ignite the fuel within 3-5 minutes of pressing the On/Off button. As pellets fill the burnpot and ignite, outside air is drawn across the fuel and heated during the combustion process which is then pulled across the heat exchanger by the exhaust motor or the draft fan. As the stove reaches operating temperature, room air is then circulated around the heat exchanger by a room air blower, distributing warm air into the room.

The amount of heat that is produced by the stove is proportional to the rate of fuel that is burned.

Because a forced draft pressure is required for the combustion process inside your stove, it is extremely important that the exhaust system be properly installed and maintained. Also, the doors must remain closed while in operations and the seals on the doors must be properly maintained.

## BECOMING FAMILIAR WITH YOUR CONTROLLER

### Controller Buttons (SEE FIGURE 17 & 18)

1. **Infrared Receiver:** Receives signal from remote control. (Available separately)
2. **Power Indicator** - Illuminates when the main power switch is on.
3. **Alarm Light** - Illuminates if stove is not operating properly.
4. **On/Off Button** - Starts and stops operation of stove.
5. **Timer Button** - Allows you to choose the start time or shutdown time of the unit.
6. **Mode Transfer Button** - Allows you to set the unit to one of three main mode settings: Manual, Temp, and Weekly.
7. **Hold Button** - Pressing the "Hold" button in weekly mode after raising the "Call To" temperature will maintain that temperature until the button is pressed again or the stove is shut down.
8. **Scroll Up Button** - Allows you to scroll up to choose items in the menu.
9. **Exit Button:** Takes you out of current selection and returns to previous option and/or screen. When entering data, pressing the EXIT button will also delete your entries.

10. **Scroll Down Button** - Allows you to scroll down to choose items in the menu.
11. **Enter Button** - Pressing "Enter" button allows you to adjust and select data on the screen. Pressing the ENTER button for two seconds will take you to a main menu screen in which you'll have the ability to change the time, date, temperature display, weekly operation schedule (for Weekly Mode only) and combustion motor and voltage settings.
12. **Controller Lock Out Mode** - By pushing 8 and 10 simultaneously, the controller key pad can be locked. In the lock mode the stove cannot be adjusted or turned **ON** or **OFF**. Activation is indicated by a small key icon in the upper right corner of the controller display.



Figure 17: Control Pad Key



Figure 18: Control Pad Location

## MAIN OPERATION CONTROLLER SCREEN DISPLAY

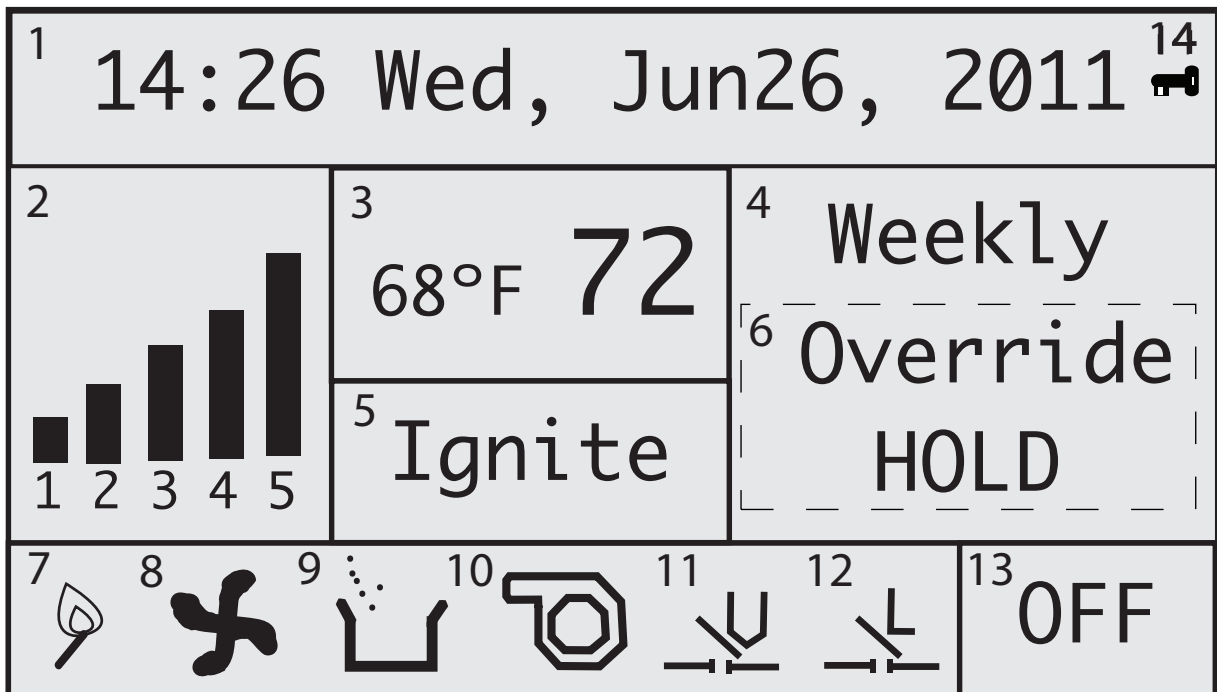


Figure 19: Main Operation Controller Screen Display

1. **Date and Time:** Displays time and date.
2. **Heating Power Level:** Indicates the level of power at which the stove is currently heating.
3. **Current Room Temperature/Call To Temperature:** Displays current room temperature and, in the thermostat mode, the "call to" temperature.
4. **Main Mode:** Displays operation mode--weekly, thermostat (temperature) and manual.
5. **Work Stage:** Displays operational stage in which the stove is currently operating (i.e. ignite, heating room).
6. **Additional Control Mode:** Only appears if weekly temp setting is changed manually.
7. **Ignitor Indicator:** Indicates ignition cycle/burning cycle is currently happening.
8. **Combustion Blower Indicator:** Indicates combustion blower is running.
9. **Auger Indicator:** Indicates auger is feeding pellets.
10. **Convection Blower Indicator:** Indicates convection blower is running and the fan is heating the room.
11. **Vacuum Switch Indicator:** Indicates there is vacuum pressure in the stove.
12. **Hopper Lid Open Indicator (Limit Indicator):** If lit, indicates the hopper lid is closed. When hopper lid is open, this will disappear.
13. **On/Off State Indicator:** Indicates if the stove is on and in operational mode or if it is in the process of shutting down.
14. **Controller Lockout Mode Activated**

**NOTE:** During stove operation number 11 and 12 must be displayed or the stove will not feed pellets.

## PRE-OPERATION

Once the stove has been properly installed and plugged into a grounded surge protector you are ready to begin operation.

### Mounting Your Controller

Mount the controller and the controller bracket to top and back of your stove using the hardware that accompanied the controller. **SEE FIGURE 18.**

### Prior To Starting

Turn on the main power switch located on the back of the stove. **SEE FIGURE 20A.**

**NOTE: If for some reason the stove does not appear to be powering on, there is a fuse located just below the power switch that can be checked. SEE FIGURE 20B. There is a spare fuse located in the fuse holder.**

Make sure the hopper is clean and free of foreign matter including pellet fines and dust.

Fill the hopper with wood pellets, making sure that NO parts of the bag or any foreign objects enter the hopper as this may cause harm to the auger feed system. **SEE FIGURE 21.**

Also take care in making sure there is no pellet material in the hopper lid seating surfaces.

Close the lid. This stove has a safety switch that will not allow pellets to feed with the hopper door open.

Make sure the main glass door is closed. The stove has a safety switch that will not allow the stove to feed fuel unless there is negative draft pressure inside the stove.

Before starting your Castle Stove, you will need to determine in which mode you would like to run the stove. The Serenity can operate in three modes:

1. **Manual:** Under this mode, you can personally adjust and set the heating phase to control the heat level.
2. **Thermostat Control (Temperature):** Under his mode, you can set the room temperature and the stove will automatically run to ensure the room is at that temperature.
3. **Weekly:** Under this mode, the stove will work automatically during days and times you designate. You can have a program for each of the seven days of the week and four periods during the day.

### You must select your mode before turning on the stove.

Selecting a mode while the stove is burning can cause the stove to shut down and may force a 30-minute delay in restarting.

You do not need to start operation of the stove to select your mode. To choose the mode, select the mode transfer button. Pressing the mode button once selects the thermostat setting; selecting it twice will bring you to the weekly mode.



## WARNING

**NEVER USE FLAMMABLE LIQUIDS SUCH AS GASOLINE, GASOLINE TYPE LIGHTER FUEL, CHARCOAL LIGHTER FUEL OR FIRE STARTING GELS IN OR AROUND THIS STOVE. KEEP ALL SUCH LIQUIDS WELL AWAY FROM THE STOVE WHEN IT IS IN USE.**

**NEVER OPEN SIDE PANELS OR MAIN DOOR WHEN STOVE IS IN OPERATION.**

**NEVER TOUCH DOOR LATCHES WHILE IN OPERATION, THEY GET EXTREMELY HOT. NEVER OPEN GLASS DOOR WHILE STOVE IS OPERATING OR WHILE STOVE IS HOT.**

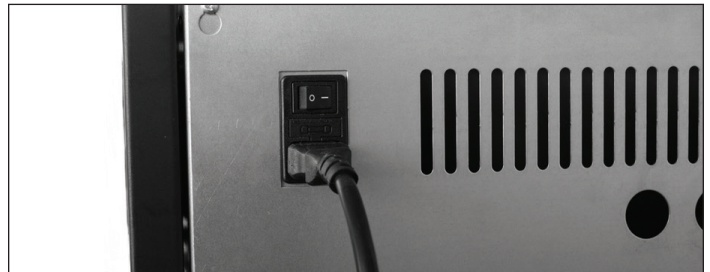


Figure 20a: Main power switch



Figure 20b: Main power switch

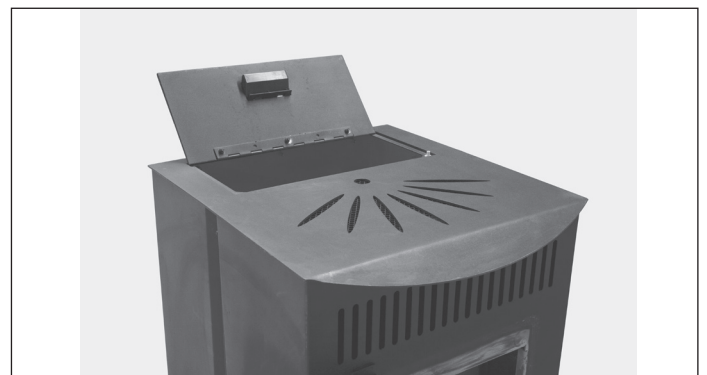



Figure 21: Pellet load



## OPERATION

After you have chosen the mode in which to operate your stove, press the **ON/OFF** button  to start the stove ignite cycle.

### Start Up



When the stove turns on, the ignition indicator and the combustion blower indicator will appear on the screen (images 7 and 8 in Figure 19 on page 23). **"Ignite"** will also appear in the work stage box on the screen. After approximately four seconds, the vacuum switch indicator will appear. Also note that the hopper lid open indicator (limit indicator) will appear anytime the stove's hopper lid is properly shut and sealed.

The stove motor will continue to run for three minutes, then the auger indicator will flash on the screen, indicating that the auger is feeding pellets into the stove. Within three to five minutes of the auger feeding pellets, a fire should ignite. Once a fire is lit, the work stage box on the screen will read "Heating Room".

### Working in the Different Operation Modes:

#### Manual Mode

The Manual Mode is the default mode setting if no other mode is chosen before the stove is turned on. In the manual mode, you have the ability to change the heat levels, which will increase or decrease the amount of heat that the stove puts out.

To change the power level in manual mode, use the scroll down or scroll up buttons   on the control pad. (See buttons 8 and 10 on Figure 17.) Pressing either of these buttons once will move the power level up or down one level.

**NOTE: This mode does not allow you to directly adjust specific temperatures. The manual mode simply allows you to dictate the level of heat the stove is pushing out.**

#### Thermostat/Temperature Control Mode

The Thermostat Mode allows you to set the temperature of the room. The stove will increase or decrease the level of heat it puts out automatically to keep the room at the set temperature.

To increase or decrease the **"call to"** temperature, use the **SCROLL UP** or **SCROLL DOWN** button. The current room temperature will be displayed in the temperature display box on the screen, as will the **"call to"** temperature.

**NOTE: Thermostat mode does not turn the stove off when the call to temperature is met. Thermostat mode will only regulate between low and high settings.**



### WARNING

**NEVER SHUT THE STOVE DOWN BY UNPLUGGING IT FROM THE POWER SOURCE.**  
**NEVER SHUT THE STOVE DOWN BY SWITCHING OFF THE MAIN POWER SWITCH ON THE REAR OF THE STOVE.**  
**NEVER OPEN SIDE PANELS OR MAIN DOOR WHEN STOVE IS IN OPERATION.**  
**NEVER TOUCH GLASS DOOR AND ASH PAN LATCHES WHILE IN OPERATION, THEY GET EXTREMELY HOT AND WILL BURN YOU.**

If the room temperature falls below the **"call to"** temperature, the stove's heat power level indicator will automatically rise to five. When the temperature has been reached, the heat power level will return to one and it will stay there until more heat is needed.


**Note: In thermostat mode, the stove will not go into standby. It will simply idle and continue to produce a fire until the room is no longer at the set "call to" temperature. When it is idling, the stove will read at power level one in the power level box on the display screen.**

### Weekly Mode

The Weekly Mode allows an Serenity user to control and schedule the stove operation during set times and days throughout the week. You can select four different operation times for each of the seven days of the week.

**IMPORTANT: Remember to set your weekly schedule in Weekly Mode before igniting a fire. If you try to set the stove schedule and weekly mode while running in Manual or Thermostat modes, the weekly schedule will not set, and the screen will prompt you to wait until you have turned the stove off and it has cooled down before setting the schedule.**

#### To Set Weekly Schedule:

1. Press and hold the **ENTER**  button until the **"Set Data"** menu appears on the screen. Using the **SCROLL DOWN** button, select **"Set Weekly."** Press **ENTER**. This will take you into the **"Weekly Schedule"** screen. **SEE FIGURE 22.**

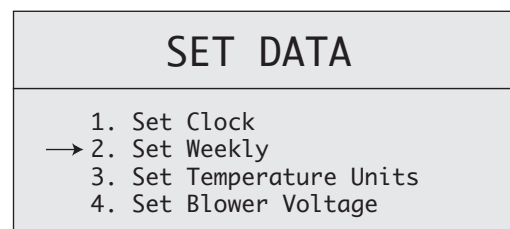


Figure 22: Set Data

# Serenity Pellet Stove

- In the **"WEEKLY SCHEDULE"** screen, you can begin with setting the operation times for Sunday. Press **ENTER** to highlight the hour and use the **SCROLL UP** and **SCROLL DOWN** buttons until you reach your desired hour of start time. Press **ENTER** again to highlight the minutes and use **SCROLL UP** and **SCROLL DOWN** until you've reached your desired minute of start. **SEE FIGURE 23.**

**NOTE: Your Serenity controller uses military time to set your weekly schedule.**

- Pressing **ENTER** again will allow you to set the stop time of your stove. Use the same procedure for setting your stove's start time for selecting when you would like the stove to stop. Once you've selected the stop time, press **ENTER**.
- Next you will have the opportunity to set the desired temperature. Use the **SCROLL UP** or **SCROLL DOWN** keys until you've reached the appropriate temperature for the times you have selected. Press **ENTER**.
- "Yes"** will now be highlighted. If you have set this particular time correctly, press **ENTER**. This will take you out of your first set time.

If you wish to erase a scheduled time, use your **ENTER** key to highlight **"YES"** on the screen for that scheduled time. Select **"No"** using your **SCROLL UP** or **SCROLL DOWN** key. With **"No"** highlighted, press **ENTER** to erase the data.

- To set another time for that particular day, press **SCROLL DOWN** and continue by repeating steps 2-5 as appropriate.

**NOTE: You must set your times in chronological order. The first schedule slot of one day MUST be earlier in the day than the second schedule slot on your weekly schedule list, etc.**

- Once you have set all times for Sunday, **SCROLL DOWN** to **"NEXT"**. Pressing **ENTER** once will highlight **"NEXT"**. Pressing **ENTER** again will take you to the following day. Proceed with setting a schedule for the rest of the week using the preceding instructions.

SET WEEKLY			
Sun. Weekly Set			
1:	1:15~ 7:00	67°F	Yes
→ 2:	17:00~23:45	72°F	Yes
3:	--:--~--:--	--°F	No
4:	--:--~--:--	--°F	No
5:	--:--~--:--	--°F	No
Next	All		

Figure 23

**NOTE: Along with the "Next" option on the screen, there is also an "All" Option. After you have set a particular time for a day, if you wish to set that time for every day of the week, scroll down to "Next" and press ENTER. Press the SCROLL DOWN key to select and highlight "All." Pressing ENTER will then select that scheduled time and apply it to each day of the week.**

**TIP: If at any point you need to leave the weekly schedule screen or once you have finished with setting all of your times, select the EXIT button to return to the previous menu.**

- Once you've finished setting your schedule, without any of the options highlighted, press the **EXIT** button. This will save your schedule.
- With a schedule set, make sure that the main display screen on the controller reads **"WEEKLY"** (for operating in the Weekly Mode) and that the unit is turned on. The schedule will not take effect unless the unit is turned on in the Weekly Mode. (See button 13 on Figure 19.)

## Setting Other Data On Your Controller

### Setting The Time And Date

- Press and hold the **ENTER** button. This will take you to the **"SET DATA"** screen.
- Press **ENTER** again to enter the **"SET CLOCK"** screen. **SEE FIGURE 24.**
- To change the hour, press **ENTER**. This will highlight the hour. Use your **SCROLL UP** and **SCROLL DOWN** buttons to choose the appropriate time. Press **ENTER** to select the correct hour, and then press **ENTER** a second time to begin setting the minutes.
- Continue this process for selecting and setting the day, month, date and year.
- When finished, and with nothing highlighted on the screen, press the **EXIT** button.

SET CLOCK
10:45 Fri. May 20, 2011

Figure 24

## Setting The Temperature Units

1. Press and hold the **ENTER** button. This will take you to the "SET DATA" screen.
2. Using the **SCROLL DOWN** key, move down to option 3: "SET TEMPERATURE UNITS". Press **ENTER** again to move into the "SET TEMPERATURE UNITS" screen. **SEE FIGURE 25.**
3. In the set temperature units menu, press the **ENTER** button to highlight the units. Use the **SCROLL UP** and **SCROLL DOWN** buttons to choose either Celsius (C°) or Fahrenheit (F°).
4. When finished, press **ENTER**. With nothing highlighted on the screen, press the **EXIT** button.

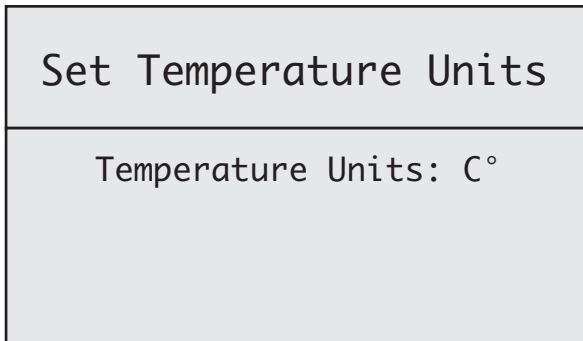


Figure 25

## Setting The Blower Voltage

The blower voltage (controlling the room fan) can be turned up or down for each power level to regulate the amount of heat circulated into a room during stove operation. Some fuels radiate heat better than others. You have the ability to speed up or slow down the room fan to extract the optimum amount of heat without blowing cold air.

Increasing the blower voltage causes the convection motor to run faster, extracting more heat from the unit.

**NOTE: If having issues with the stove overtemping in any setting, increase the blower voltage.**

Decreasing the blower voltage allows you to slow the exchange of heat from the stove so it blows less cold air.

## To Set The Blower Voltage:

1. Press and hold the **ENTER** button. This will take you to the "SET DATA" screen.
  2. Using the **SCROLL DOWN** key, move down to option 4: "SET BLOWER VOLTAGE". Press **ENTER** again to move into the "SET BLOWER VOLTAGE" screen. **SEE FIGURE 26.**
  3. Select the stall (or heating power level) for the voltage you'd like to change by scrolling up or down and pressing **ENTER**. The voltage amount will automatically be highlighted.
  4. Using the **SCROLL UP** or **SCROLL DOWN** keys, select the appropriate voltage.
- NOTE: Voltage can be decreased or increased only in increments of five (5).**
5. Press **ENTER** to finalize your changes. Repeat steps 2-4 for the other stalls if you so desire.

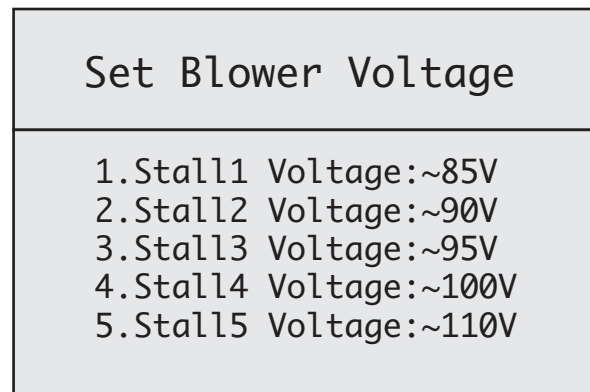


Figure 26

## Setting The Exhaust Voltage

### IMPORTANT NOTE:

**ADJUST THE AIRFLOW GATE BEFORE INCREASING THE EXHAUST VOLTAGE. If you are having issues with getting enough air to your fire, FIRST try to adjust the air flow gate. SEE FIGURE 27. This will also adjust the air flow to the stove.**

The exhaust voltage (controlling the combustion motor) allows you to adjust the stove for the fuel you are burning or compensate for inadequate ventilation situations. In less than optimum venting situations, you can increase the exhaust speed for additional air circulation through the stove should ventilation be an issue.

### IMPORTANT NOTE:

**Changing the exhaust voltage does NOT change the feed rate. Therefore, on high heat power levels where the feed rate is faster, a low voltage level will not push out enough air and the stove may overheat and pellets may back up into the pot. Decreasing exhaust voltage will increase the amount of heat coming into the room. Do not adjust the exhaust voltage too low, as it can cause pellets to backup in the burn pot.**

Increasing the exhaust voltage, and thereby increasing the amount of air in the burn pot, will also assist in burning lower-quality fuels that may otherwise cause unwanted buildup.

**NOTE: Be sure to visually watch the burn rate if the combustion voltage is decreased, as to not cause pot overloading. Exhaust voltage should ONLY be adjusted to get the optimum performance out of the fuel you are burning.**

### To Set The Exhaust Voltage:

1. Press and hold the **ENTER** button. This will take you to the "SET DATA" screen.
2. Using the **SCROLL DOWN** key, move to option 4: "Set Exhaust Voltage". Press **ENTER** again to move into the "SET EXHAUST VOLTAGE" screen. **SEE FIGURE 28.**
3. Select the stall (heating level) for the voltage you'd like to change by scrolling up or down and pressing **ENTER**. The voltage amount will automatically be highlighted.
4. Using the **SCROLL UP** or **SCROLL DOWN** keys, select the appropriate voltage.

**NOTE: Voltage can only be decreased or increased in increments of five (5).**

5. Press **ENTER** to finalize your changes. Repeat steps 2-4 for the other stalls if you so desire.



Figure 27

Set Exhaust Voltage	
1. Stall1	Voltage: ~85V
2. Stall2	Voltage: ~90V
3. Stall3	Voltage: ~95V
4. Stall4	Voltage: ~100V
5. Stall5	Voltage: ~110V

Figure 28

## DIAGNOSTICS

Your Castle Stove's controller comes equipped with an on-board diagnostics option that will let you test some components of your stove.



### WARNING

**NEVER OPERATE THE STOVE IN DIAGNOSTIC MODE. DIAGNOSTIC MODE IS TO TEST AND CONFIRM THE OPERATION OF INDIVIDUAL COMPONENTS ONLY. OPERATION IN DIAGNOSTIC MODE WILL CREATE AN UNSAFE CONDITION AND CAUSE INJURY TO PEOPLE AND DAMAGE TO EQUIPMENT.**

**NOTE: You will only be able to enter the diagnostic screen when the stove is turned OFF.**

To get into the diagnostics screen:

1. Press and hold the **ENTER** button. This will take you to the **"SET DATA"** screen.
2. Using the **SCROLL DOWN** key, move to option 6, **"DIAGNOSTICS"**. Press **ENTER**. This will take you to the **"DIAGNOSTICS"** screen. **SEE FIGURE 29.**

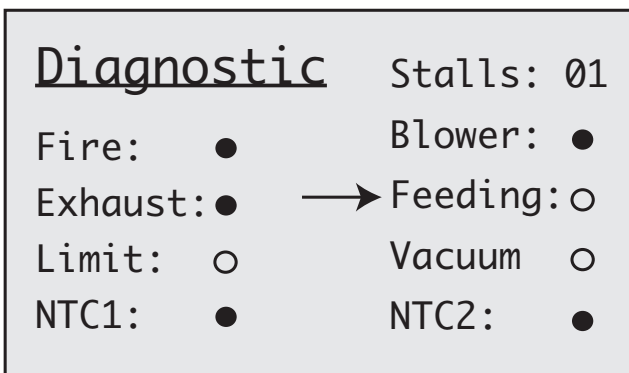


Figure 29

If all components are working properly, the circles next to the components will be shaded.

- Stalls:** Changing the stall will allow you to test the component in the various heating power levels.
- Fire:** Indicates whether the ignitor is working properly.
- Exhaust:** Indicates whether the combustion motor and exhaust system is working properly.

- Limit:** Indicates the hopper lid is properly shut.
- Blower:** Indicates whether the room fan/blower is working properly.
- Feeding:** Indicates if the auger is properly feeding pellets.
- Vacuum:** Indicates there is sufficient vacuum and suction.
- NTC1:** Indicates the proof of fire switch is properly working.
- NTC2:** Indicates temperature being read by room temp sensor.  
*(Temperature is in Celsius)*

### Restoring Default Settings


In the diagnostic mode, you will have the ability to test certain components of your stove to see if they are properly working. By using the **ENTER** button, you can highlight **"Fire," "Exhaust," "Blower," or "Feeder"**. When one of these options is highlighted, you can use the **SCROLL UP** or **SCROLL DOWN** buttons to unshade or shade in the circle next to the stove component it represents. This manually attempts to turn on these components to see if it works properly.

If at any time you desire to return your controlled stove settings to their original state, (i.e. rest blower voltage levels or weekly schedules) your stove does have the ability to restore the default settings.

To restore the default settings:

1. Press and hold the **ENTER** button to get into the **"Set Data"** screen.
2. Using the **SCROLL DOWN** key, move down to option 7, **"Restore Default Settings."**
3. In the **"Restore Default Settings"** screen you have a **"Yes"** and **"No"** option. If you do not wish to restore your settings, scroll down and press **ENTER**. If you wish to continue with restoring your default settings, select **YES** and press **ENTER**.
4. The main display screen will now appear and your settings will have been changed.

## SHUT DOWN PROCEDURE

Press the  button on the control pad to initiate the shut down mode. The On/Off indicator on the screen will read **OFF**. The auger will stop feeding pellets, but the room air distribution blower and exhaust fan will continue to operate. Once the stove has cooled down, the screen light will turn off.

Shut down times will vary.

## MAINTENANCE

### Normal Care and Maintenance

Due to differences in fuel, stove cleaning intervals will vary. The cleaner the stove is, the more efficiently it will burn.

### Cleaning the Firepot

Remove and clean the burn pot/firepot daily. Make sure all holes in the burn pot are unobstructed. Use a small metal pick or drill bit to keep these holes clean. **SEE FIGURE 30.**

### Firepot Remains

Every time the hopper is filled with fuel, the firepot should be emptied. To empty the firepot, lift it out of the pot holder and dump it directly into the ash pan. Be sure any build-up is removed and that the holes are clean.

### Cleaning the Glass

Only clean the glass when the glass is cool. Wipe glass off frequently. Wipe the glass clean with a dry or damp rag. If this does not clean the glass, use any non-abrasive cleaner. Using ceramic stove top cleaner can be helpful in removing soot from the glass. Inspect gaskets around the door periodically. Replace any worn, frayed or compacted gaskets. Replace broken glass only with high temperature ceramic glass, available from Castle Pellet Stoves. **SEE FIGURE 31.**

### Interior Chamber

Clean the interior chamber with an ash vacuum. Ash vacuums are specially designed to contain soot and have a metal exterior. This should be done weekly.

### WARNING

**HOT SURFACES CAN CAUSE BURNS. NEVER PERFORM CLEANING OR MAINTENANCE ON A HOT STOVE. ALLOW UNIT TO COOL FOR A MINIMUM OF TWO HOURS. NEVER PERFORM SERVICE WITH POWER SUPPLIED TO THE UNIT. INJURY TO PERSONEL OR DAMAGE TO EQUIPMENT CAN OCCUR.**

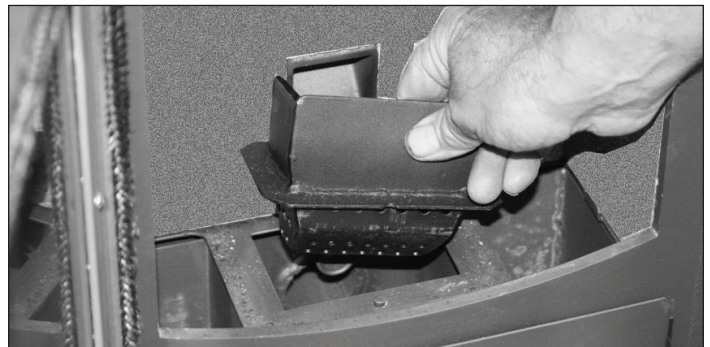


Figure 30: Fire pot clean

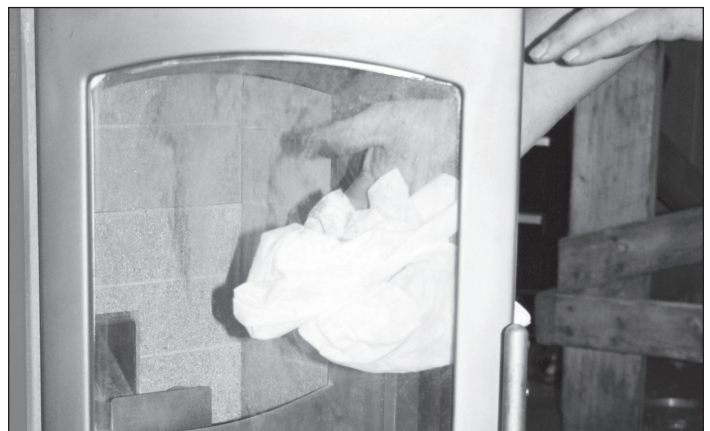


Figure 31: Wipe glass and inspect gasket

## Daily Maintenance

The surfaces of the stove may be hot. Always wear a protective glove, even when the stove is cool to the touch. Be sure to shut the stove off and allow to cool for one hour before performing any maintenance or service tasks.

Empty firepot of ashes. Lift the firepot from the holder and dump it directly into the ash pan. **SEE FIGURE 32.**

Remove any build-ups and be sure all of the holes are clean.

Dump the ash pan into a metal container with a tightly fitting lid. The closed-container of ashes should be placed on a non-combustible floor or on the ground, well away from all combustible materials, pending final disposal. The ash dumping will be determined by the amount of fuel burned. It may need to be done once or twice a week. **SEE FIGURE 33.**

## Weekly Maintenance

### Ash Pan Removal

1. Turn off the stove and allow it to cool for one hour prior to cleaning.
2. Open the front door. Using a cleaning brush, brush any ash build-up on the ash deflector into the ash pan below.
3. Lift the ash deflector and hook it to the retainer pin located on the inside back wall. Do this for the left and right side of the ash pan. **SEE FIGURE 33.** This will allow the ash pan to be easily removed.
4. Remove the ash pan by lifting straight up and out the front door. **SEE FIGURE 34.**

### Disposal of Ash

Dump the ash pan regularly. Ashes should be contained in a metal container with a tight fitting lid. The closed container of ashes should be placed on a non combustible floor or on the ground, well away from all combustible materials. If ashes are disposed of by burial or otherwise locally dispersed, they should be retained in the closed container until all cinders have been cooled.

### Soot and Fly Ash

The products of combustion will contain small particles of fly ash. The fly ash will collect in the exhaust venting system and restrict the flow of the flue gases. Incomplete combustion, such as occurs during startup, shutdown, or incorrect operation of the room heater will lead to some soot formation which will collect in the exhaust venting system. The exhaust venting system should be inspected at least once per month to determine if cleaning is necessary. If cleaning is necessary, disassemble the exhaust vent and clean the individual parts. **When cleaning ash, use an approved ash vacuum. See a dealer for more details.**

Check clean out tees regularly to determine the required cleaning interval. Use a 3" or 4" chimney cleaning brush to clean the exhaust venting. Plugged venting will effect the quality of the fire. Make sure to clean any screens in the venting regularly. A plugged screen will shut off combustion air and cause the fire to die or burn poorly.

## ! WARNING

**HOT SURFACES CAN CAUSE BURNS. NEVER PERFORM CLEANING OR MAINTENANCE ON A HOT STOVE. ALLOW UNIT TO COOL FOR A MINIMUM OF TWO HOURS. NEVER PERFORM SERVICE WITH POWER SUPPLIED TO THE UNIT. INJURY TO PERSONEL OR DAMAGE TO EQUIPMENT CAN OCCUR.**

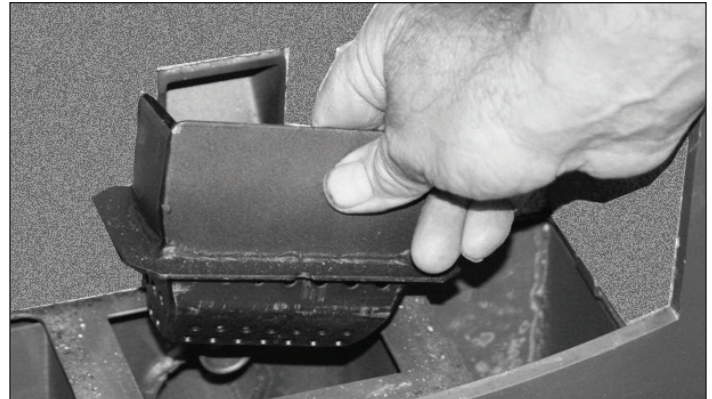


Figure 32: Empty Firepot

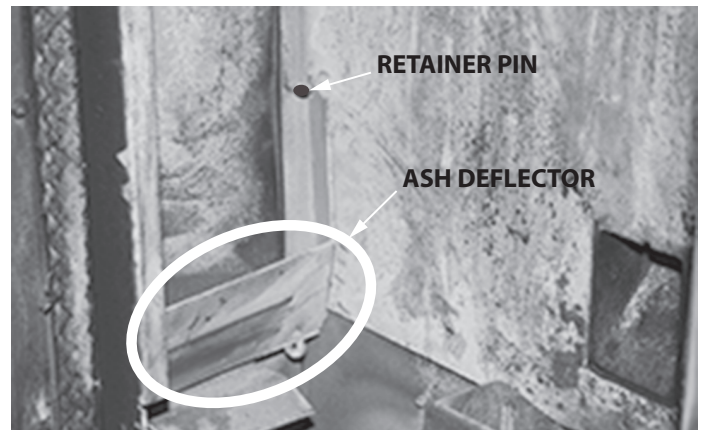


Figure 33: Ash Pan Dump



Figure 34: Dump Ash Pan

In addition to daily maintenance tasks, use an ash vacuum to clean the inside of the firebox.

Remove the firepot from the pot holder and vacuum beneath. Be sure to remove any ash from the incoming ignitor tube. **SEE FIGURE 34.**

### Monthly Maintenance

The exhaust venting system should be inspected at least once per month to determine if cleaning is necessary.

### Annually/ Biannually

Remove and clean the exhaust venting.

Remove and clean the combustion motor, housing and impellers.

**To remove the combustion motor, you will have to remove the side panel on the stove.** To remove the panel:

Remove four screws, two at the top and two at the bottom of the panel. **SEE FIGURE 35.**

Pivot rear panel outward and push front of panel inward to release and remove panel.

Once you've removed the side panel, you can remove and clean the combustion motor, housing and impellers. **SEE FIGURE 36.**

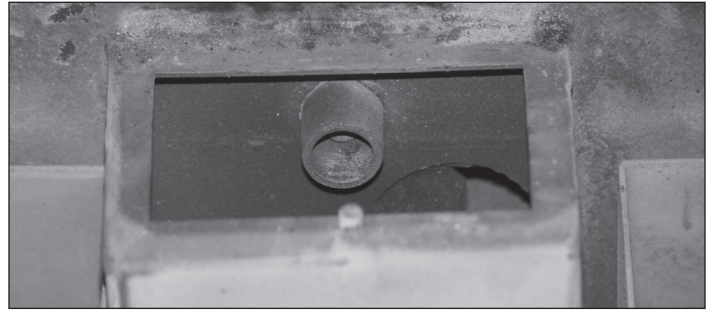


Figure 34: Remove ash from ignitor tube (underneath firepot)

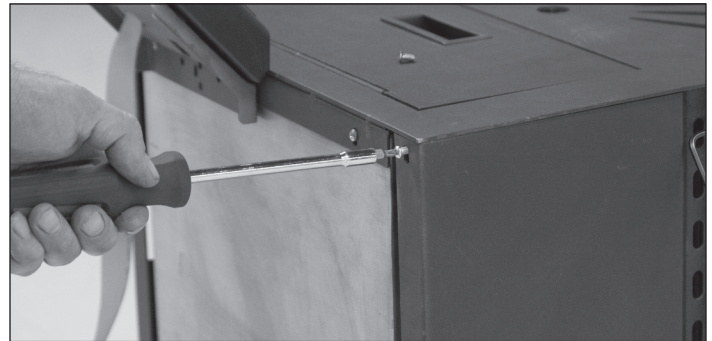


Figure 35: Remove (2) screws from rear of side panel, at the top and bottom of the panel. Remove (2) screws from the front face of the side panel, at the top and bottom of the panel.

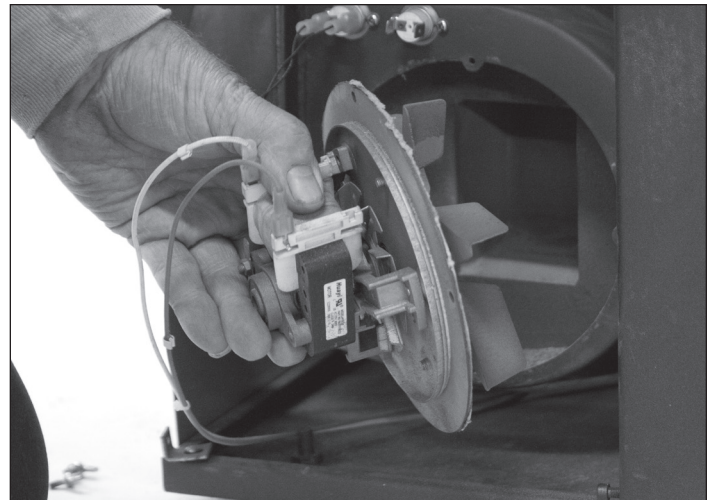


Figure 36: Remove combustion motor and clean





## TROUBLESHOOTING AND REPAIR

At Ardisam, we build quality and durability into the design of our products; but no amount of careful design by us, and careful maintenance by you, can guarantee a repair-free life for your stove. Most repairs will be minor, and easily fixed by following the suggestions in the troubleshooting guide in this section.

The guide will help you pinpoint the causes of common problems and identify remedies.

For more complicated repairs, you may want to rely on your retailer, an authorized service center or Castle Pellet Stoves. A parts catalog is included in this section.

We will always be glad to answer any questions you have, or help you find suitable assistance. To order parts or inquire about warranty, call or e-mail us as found below.

## ORDERING REPLACEMENT PARTS

Parts can be obtained from the store where the stove was purchased or direct from the factory. To order from the factory, call or e-mail:

Ardisam Inc.  
**1-800-345-6007 • 1-715-822-2415**  
**E-mail: [info@castlestoves.com](mailto:info@castlestoves.com)**

Please include the following information with your order:

1. Model number and serial number
2. Part description
3. Quantity
4. Part numbers

### **WARNING**

**WHEN PERFORMING ANY INTERNAL MAINTENANCE.**

**DO NOT OPERATE UNIT WITH PANELS REMOVED OR OPEN. MOVING PARTS INSIDE OF THE CABINET MAY CAUSE INJURY.**

**USE THE CORRECT PERSONAL PROTECTION, PARTS ARE HOT. DO NOT OPERATE THE UNIT WITH PANEL OPEN.**

**DISCONNECT POWER BEFORE SERVICING UNIT. RISK OF ELECTRIC SHOCK.**

**USE ONLY ORIGINAL FACTORY EQUIPMENT WHEN REPLACING PARTS.**

### **CAUTION**

**THIS IS A MINIMUM REQUIREMENT FOR SOOT AND FLY ASH REMOVAL. ASHES SHOULD BE PLACED IN A METAL CONTAINER WITH A TIGHT FITTING LID. THE CONTAINER SHOULD BE PLACED ON A NON-COMBUSTIBLE FLOOR, WELL AWAY FROM COMBUSTIBLE MATERIALS, PENDING FINAL DISPOSAL. IF ASHES ARE DISPOSED OF BY BURIAL IN SOIL OR OTHERWISE LOCALLY DISPERSED, THEY SHOULD BE RETAINED IN THE CLOSED CONTAINER UNTIL ALL CINDERS ARE THOROUGHLY COOL.**

**DO NOT OPERATE STOVE WITH BROKEN GLASS.**

**DO NOT SLAM THE DOOR SHUT.**

**DO NOT STRIKE GLASS.**

**DO NOT USE ABRASIVE CLEANERS.**

**DO NOT CLEAN HOT GLASS.**

**REPLACE CERAMIC GLASS WITH FACTORY AUTHORIZED REPLACEMENT PARTS ONLY.**

**THE CLINKER WILL REMAIN HOT FOR SEVERAL MINUTES AFTER IT IS PULLED OUT OF THE FIRE POT.**

## TROUBLESHOOTING GUIDE

### WARNING

**UNPLUG STOVE AND LET COOL BEFORE PERFORMING ANY MAINTENANCE. HOT PARTS CAN CAUSE BURNS. NEVER TEST OR CHECK ELECTRICAL COMPONENTS UNLESS THE STOVE IS UNPLUGGED FROM POWER SUPPLY. ELECTRICAL SHOCK CAN OCCUR.**

### WARNING

**NEVER SERVICE OR TOUCH THE FEED AUGER WITH THE STOVE PLUGGED IN.**

**NEGATIVE PRESSURE IN A HOME IS A SERIOUS ISSUE. IF THERE IS A PROBLEM, THE STOVE SHOULD BE INSTALLED WITH A FRESH AIR KIT (NOT INCLUDED).**

PROBLEM	CAUSE	SOLUTION
Fault light comes on	Fire goes out	Control reads out of fuel, check burn pot. Add fuel to the hopper.  If the hopper is full, relight if it continues to give that signal. Then enter the diagnostic area of the controller. A circle next to "NTC1" should be highlighted. If not, replace the 52C proof of fire switch. Check pigtail leads, replace spade terminals as necessary.
PROBLEM	CAUSE	SOLUTION
Fault light is on	Overtemp	The room fan can be tested by highlighted the circle next to "Blower". Allow stove to cool and restart.  Check exhaust pipe for obstructions.  Increase blower voltage, through controller, in each stall.
PROBLEM	CAUSE	SOLUTION
Fuel not feeding, no vacuum signal on the control	Main door or ash pan not sealed.  No negative pressure in fire chamber  Piping or stove may be plugged with ash  Combustion Motor has failed	The pressure sensor shuts off the feed auger when there is no negative pressure in fire chamber.  Check door seals.  Check viewing glass seals.  Clean venting and stove.  Verify combustion motor is turning.  Enter the diagnostic area on the controller and highlight the circle next to feeding; this should cycle the auger and feed pellets. Then highlight the circle next to "exhaust". The exhaust motor should turn on and within 20 seconds, the vacuum signal should also become highlighted.

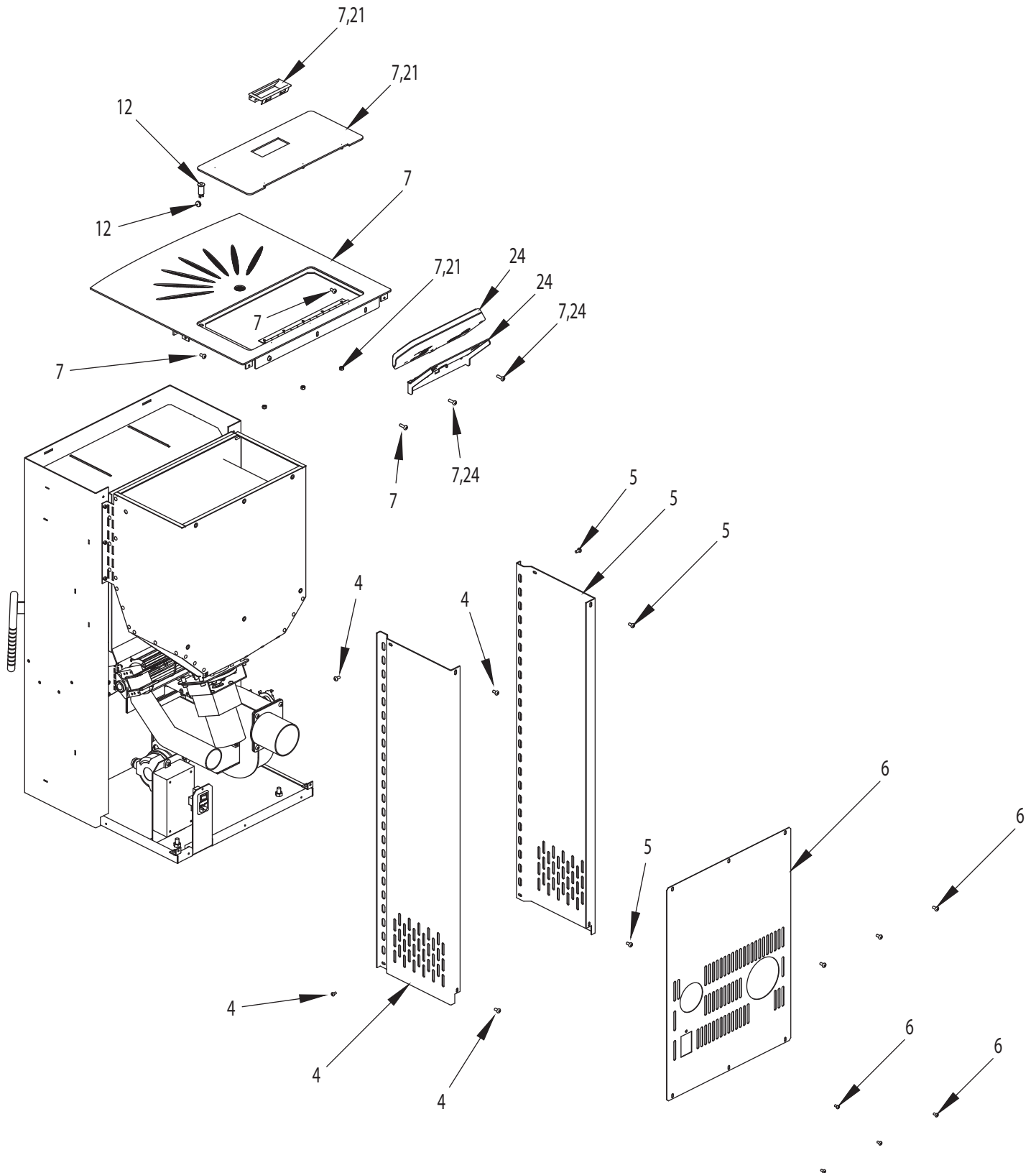


# Serenity Pellet Stove

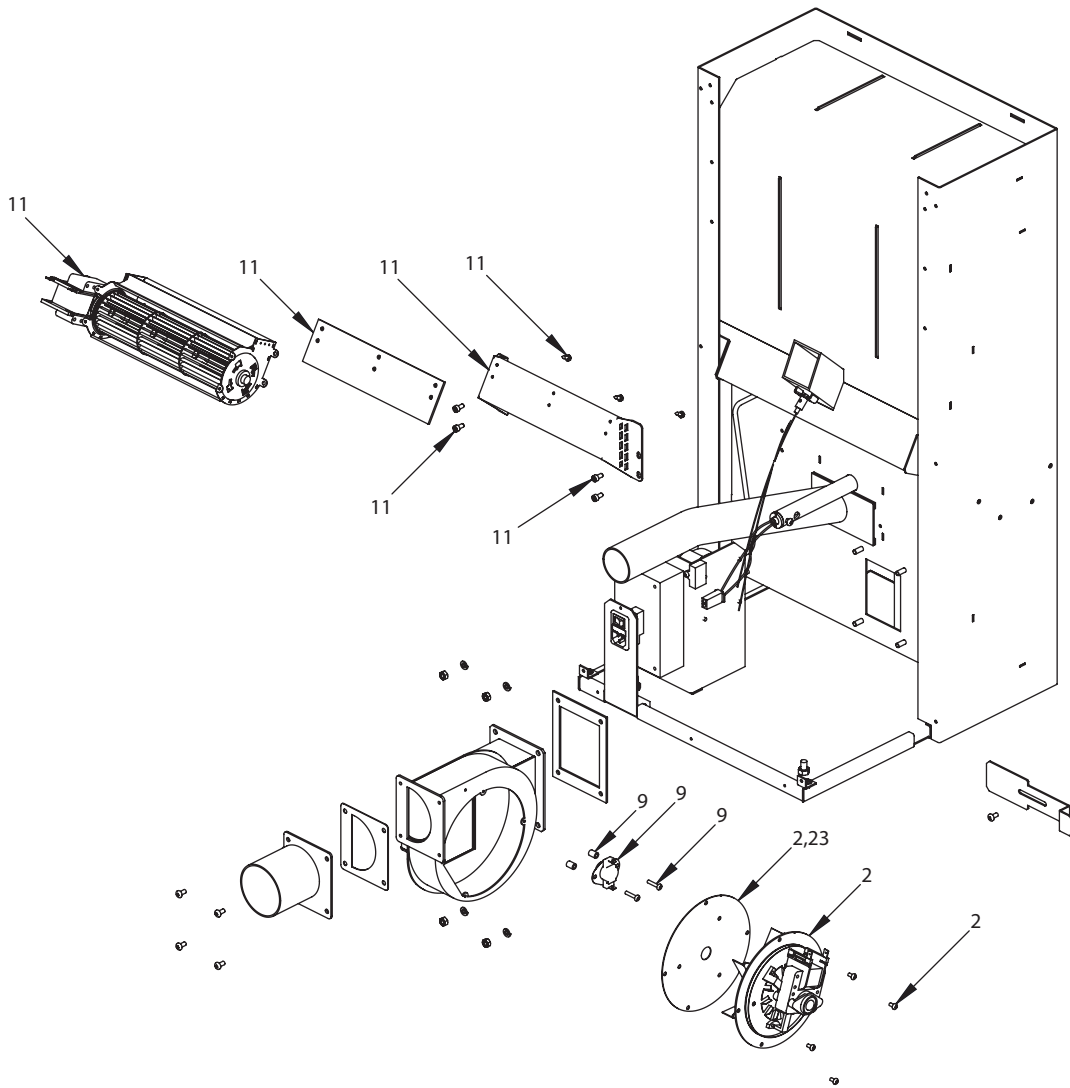
ENGLISH

PROBLEM	CAUSE	SOLUTION
Fuel not feeding, vacuum and hopper lid signal present on the control.	Auger is obstructed Auger not working	Remove auger from housing and clean obstruction first. Enter the diagnostic area in the controller and highlight the circle next to "feeding". This should cycle the auger and feed pellets. Replace auger if necessary
Fuel not feeding, no hopper lid signal on control	Hopper lid is open  Hopper lid switch not functioning correctly	Close hopper door. Enter the diagnostic area on the controller; circle next to "limit" should be highlighted when the hopper lid is closed. The circle will be unshaded if the hopper lid is opened. Check hopper door seal. Replace hopper safety switch if not operating properly.
PROBLEM	CAUSE	SOLUTION
Fire burns lazy and smoky	Stove is dirty Poor quality fuel	Clean fire pot. Clean ash pan. Clean exhaust vent system. Clean stove through cover plate clean-out hole. Increase exhaust motor voltage.
PROBLEM	CAUSE	SOLUTION
Feeds fuel will not light all; control indicators are on	Igniter tube or burn pot plugged with ash,  Faulty igniter	Clean fire pot, clean igniter tube. Verify igniter adjustment. Only the wire leads should be out of the igniter retainer. Enter the diagnostic area in the controller and test the ignitor by highlighting "fire". You should feel heat coming from the igniter holder within two minutes. Replace if necessary

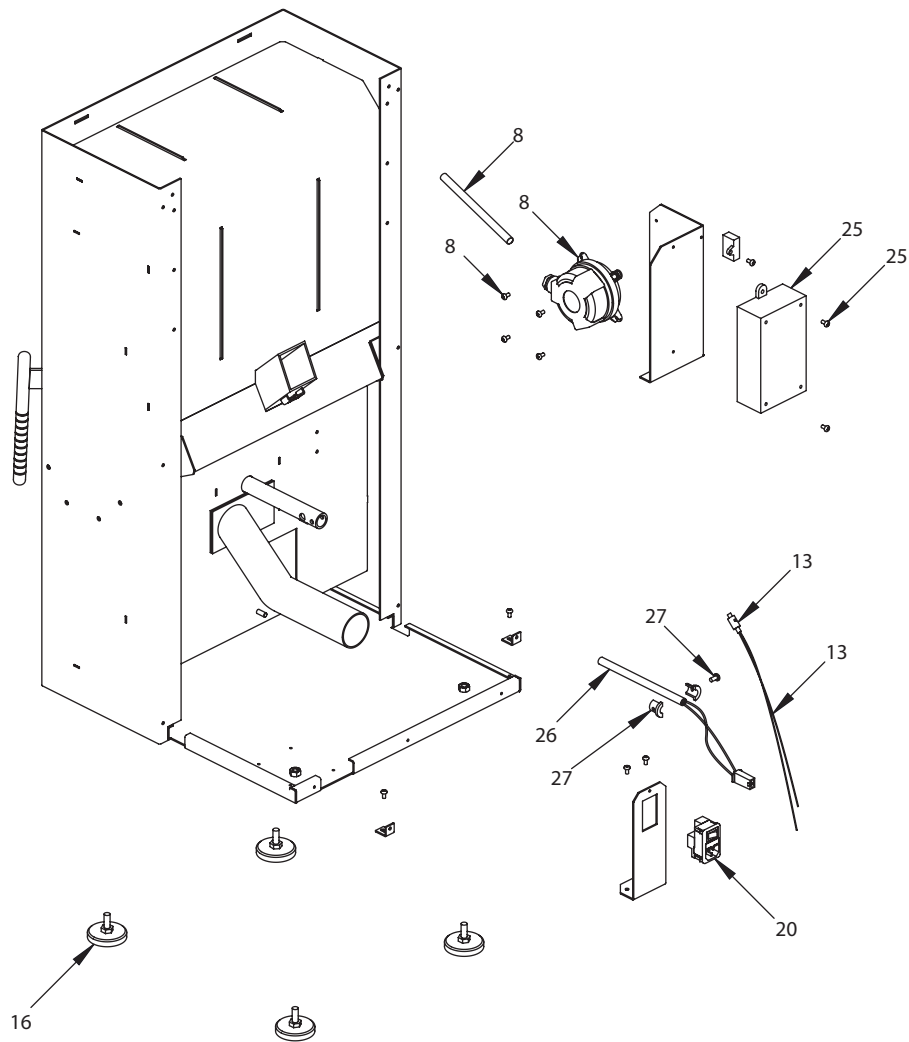
## ILLUSTRATED PARTS BREAKDOWN



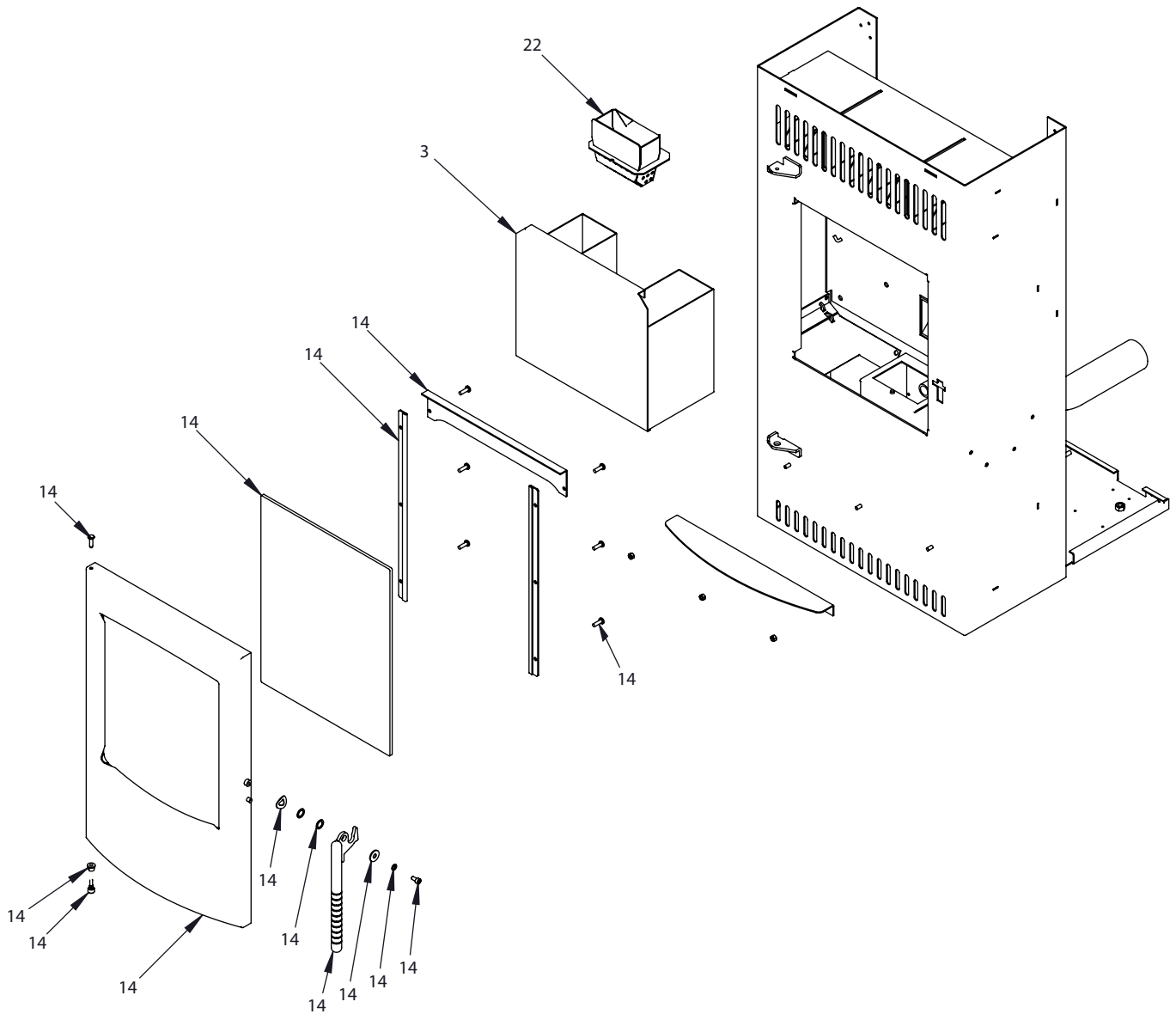
## ILLUSTRATED PARTS BREAKDOWN



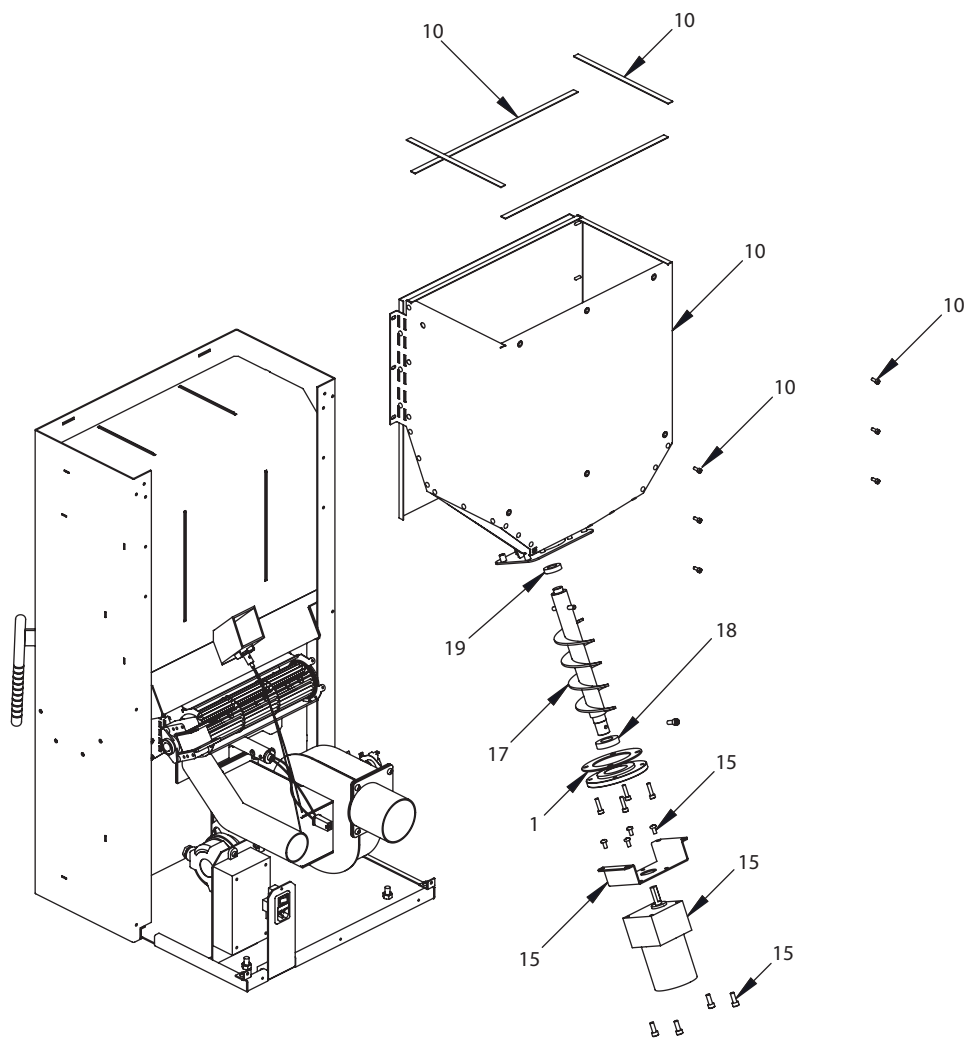
## ILLUSTRATED PARTS BREAKDOWN



## ILLUSTRATED PARTS BREAKDOWN



## ILLUSTRATED PARTS BREAKDOWN







## ILLUSTRATED PARTS BREAKDOWN

ENGLISH

ITEM #	PART #	DESCRIPTION	QTY.
1	12225	GASKET AUGER HOUSING HPS FEED SYSTEM	1
2	15476	COMBUSTION BLOWER REPLACEMENT KIT	1
3	16135	ASH PAN WELDMENT	1
4	16278	PANEL RIGHT REPLACEMENT KIT	1
5	16279	PANEL LEFT REPLACEMENT KIT	1
6	16280	PANEL BACK REPLACEMENT KIT	1
7	16281	TOP AND HOPPER WELDMENT LID REPLACEMENT KIT	1
8	16282	VACUUM SWITCH REPLACEMENT KIT	1
9	16283	52C SENSOR REPLACEMENT KIT	1
10	16284	KIT HOPPER ASSEMBLY REPLACEMENT	1
11	720104	CONVECTION BLOWER REPLACEMENT KIT	1
12	720055	HOPPER LID SWITCH	1
13	720106	SENSOR TEMPERATURE 92 DEG C	1
14	720204	DOOR ASSEMBLY REPLACEMENT KIT	1
15	720207	AUGER MOTOR KIT	1
16	720216	ADJUSTABLE FOOT	4
17	720219	WELDMENT AUGER FEED SYSTEM	1
18	720220	BEARING LOWER AUGER	1
19	720221	BEARING UPPER AUGER	1
20	720227	POWER SUPPLY SWITCH REPLACEMENT KIT	1
21	720229	HOPPER HANDLE REPLACEMENT	1
22	720235	FIREPOT WELDMENT	1
23	18522	COMBUSTION MOTOR GASKET KIT	1
24	720298	CONTROL HEAD REPLACEMENT KIT	1
25	720304	INTERFACE MODULE REPLACEMENT KIT	1
26	720307	IGNITER REPLACEMENT KIT	1
27	720308	COLLAR IGNITER RETAINER REPLACEMENT KIT	1
28*	13512	LEAD, PIGTAIL, 30C	1
29*	13513	BRACKET, HOLDER 30C	1
* ITEM NOT ILLUSTRATED			





# Serenity Pellet Stove

NOTES \_\_\_\_\_

\_\_\_\_\_

\_\_\_\_\_

\_\_\_\_\_

\_\_\_\_\_

\_\_\_\_\_

\_\_\_\_\_

\_\_\_\_\_

\_\_\_\_\_

\_\_\_\_\_

\_\_\_\_\_

\_\_\_\_\_

\_\_\_\_\_

\_\_\_\_\_

\_\_\_\_\_

\_\_\_\_\_

\_\_\_\_\_

\_\_\_\_\_

\_\_\_\_\_

\_\_\_\_\_

\_\_\_\_\_

\_\_\_\_\_

\_\_\_\_\_

**ENGLISH**



Castle Stoves™, Division of Ardisam, Inc.  
1160 8th Avenue, PO Box 666  
Cumberland, WI 54829  
800-345-6007 | Fax 715-822-2223  
E-mail: [info@castlestoves.com](mailto:info@castlestoves.com)



## Manuel de l'utilisateur Poêle à granules Serenity

FRANÇAIS

### CAUTION

**DO NOT DISCARD MANUAL!  
IMPORTANT OPERATING AND  
MAINTENANCE INSTRUCTIONS  
INCLUDED.**



**SAVE THESE INSTRUCTIONS AND  
LEAVE THIS MANUAL WITH ANY  
PERSON RESPONSIBLE FOR USE AND  
OPERATION.**

### ATTENTION NE PAS JETER!

**IMPORTANTES INSTRUCTIONS  
D'UTILISATION ET D'ENTRETIEN  
INCLUSES.  
CONSERVEZ CES INSTRUCTIONS  
ET LAISSEZ CE MANUEL À TOUTE  
PERSONNE RESPONSABLE  
DE L'UTILISATION ET DU  
FONCTIONNEMENT.**

### WARNING

**PLEASE READ THIS ENTIRE  
MANUAL BEFORE INSTALLATION  
AND USE OF THIS PELLET  
FUEL-BURNING ROOM HEATER.  
FAILURE TO FOLLOW THESE  
INSTRUCTIONS COULD RESULT  
IN PROPERTY DAMAGE, BODILY  
INJURY OR EVEN DEATH.**

### AVERTISSEMENT

**VEUILLEZ LIRE CE MANUEL EN  
ENTIER AVANT D'INSTALLER  
ET D'UTILISER CET APPAREIL  
DE CHAUFFAGE AUTONOME À  
GRANULES, AFIN D'ÉCARTER LES  
RISQUES DE DÉGÂTS MATÉRIELS,  
DE BLESSURES CORPORELLES,  
VOIRE DE MORT.**



### CAUTION

**CONTACT LOCAL BUILDING OR FIRE OFFICIALS ABOUT RESTRICTIONS  
AND INSTALLATION INSPECTION REQUIREMENTS FOR YOUR AREA.**

### ATTENTION

**CONSULTER LES SERVICES DU BÂTIMENT OU D'INCENDIE LOCAUX  
CONCERNANT LES RESTRICTIONS ET LES EXIGENCES D'INSPECTION  
D'INSTALLATION EN VIGUEUR.**



## AVERTISSEMENTS ET MESURES DE PRÉCAUTION

Responsabilité du propriétaire

- L'assemblage correct et l'utilisation sûre et efficace du poêle relèvent de la responsabilité du propriétaire.
- Lire et suivre toutes les instructions de sécurité.
- Suivre avec attention toutes les instructions d'assemblage.
- Entretenir le poêle conformément aux instructions et au calendrier figurant dans le manuel de l'utilisateur Castle.
- S'assurer que quiconque utilise le poêle est familiarisé avec toutes les commandes et mesures de précaution.

Messages spéciaux

Ce manuel contient des messages spéciaux attirant l'attention sur des problèmes de sécurité et dommages potentiels au poêle, ainsi que des informations utiles sur le fonctionnement et l'entretien. Veiller à lire toutes ces informations avec attention pour éviter les blessures et les dommages au poêle.

**REMARQUE :** Des informations générales sont fournies à travers ce manuel pouvant aider l'opérateur dans l'utilisation ou l'entretien du poêle.

## PRÉCAUTIONS DE SÉCURITÉ IMPORTANTES

Veiller à lire cette section avec attention. Utiliser le poêle conformément aux instructions et conseils de sécurité fournis ici et tout au long du manuel. Quiconque utilise ce poêle doit lire les instructions et être familiarisé avec les commandes.



**CE SYMBOLE SIGNE DES INSTRUCTIONS DE SÉCURITÉ IMPORTANTES QUI DOIVENT ÊTRE RESPECTÉES POUR NE PAS METTRE EN DANGER LA SÉCURITÉ DES PERSONNES. LIRE ET RESPECTER TOUTES LES INSTRUCTIONS DU MANUEL AVANT DE TENTER DE FAIRE FONCTIONNER CET APPAREIL.**



### DANGER

**DANGER INDIQUE QUE DES BLESSURES GRAVES OU LA MORT RÉSULTERAIENT SI LES INSTRUCTIONS DE SÉCURITÉ QUI SUIVENT CE MOT-INDICATEUR NE SONT PAS RESPECTÉES.**



### AVERTISSEMENT

**AVERTISSEMENT INDIQUE QUE DES BLESSURES GRAVES OU LA MORT POURRAIENT RÉSULTER SI LES INSTRUCTIONS DE SÉCURITÉ QUI SUIVENT CE MOT-INDICATEUR NE SONT PAS RESPECTÉES.**



### ATTENTION

**ATTENTION INDIQUE LE RISQUE DE BLESSURES OU DE DOMMAGES MATÉRIELS SI LES INSTRUCTIONS DE SÉCURITÉ QUI SUIVENT CE MOT-INDICATEUR NE SONT PAS RESPECTÉES.**



### IMPORTANT

**IMPORTANT SIGNE DES INFORMATIONS UTILES CONCERNANT L'ASSEMBLAGE, L'UTILISATION OU L'ENTRETIEN DU MATÉRIEL.**



### AVERTISSEMENT

**VEILLER À LIRE, À COMPRENDRE ET À RESPECTER TOUTES LES INSTRUCTIONS DE SÉCURITÉ ET D'UTILISATION FIGURANT DANS CE MANUEL AVANT DE TENTER D'INSTALLER ET DE FAIRE FONCTIONNER LE POÊLE.**

**TOUT MANQUEMENT À OBSERVER LES INSTRUCTIONS DE SÉCURITÉ ET D'UTILISATION PEUT PROVOQUER DES BLESSURES CORPORELLES GRAVES POUR L'UTILISATEUR ET D'AUTRES PERSONNES PRÉSENTES ET DES DÉGÂTS MATÉRIELS. LE TRIANGLE DANS LE TEXTE SIGNIFIE QUE DES MISES EN GARDES ET AVERTISSEMENTS IMPORTANTS DOIVENT ÊTRE SUIVIS.**



## AVERTISSEMENT



**POUR ÉCARTER LES RISQUES DE DÉGÂTS MATÉRIELS, DE BLESSURES CORPORELLES, VOIRE DE MORT, VEILLER À LIRE CE MANUEL EN ENTIER AVANT D'INSTALLER ET D'UTILISER CET APPAREIL DE CHAUFFAGE AUTONOME À GRANULES.**

**NE PAS ENTREPOSER NI UTILISER D'ESSENCE OU AUTRES LIQUIDES ET VAPEURS INFLAMMABLES AU VOISINAGE DE CET APPAREIL OU DE TOUT AUTRE.**

**NE PAS FAIRE SURCHAUFFER - SI UNE PARTIE EXTÉRIEURE COMMENCE À ROUGEoyer, LE POÊLE EST SURCHAUFFÉ. RÉDUIRE LE TAUX D'ALIMENTATION. LA SURCHAUFFE ANNULE LA GARANTIE.**

**RESPECTER TOUS LES DÉGAGEMENTS MINIMUM SPÉCIFIÉS PAR RAPPORT AUX MATÉRIAUX COMBUSTIBLES AFIN D'ÉCARTER LES RISQUES D'INCENDIE.**



## AVERTISSEMENT



**SURFACE CHAUDE! NE PAS TOUCHER! DANGER DE BRÛLURES GRAVES. LES VÊTEMENTS PEUVENT S'ENFLAMMER. LA VITRE ET LES AUTRES SURFACES SONT CHAUDES DURANT LE FONCTIONNEMENT ET LE REFROIDISSEMENT.**

**TENIR LES ENFANTS À L'ÉCART.**

**SURVEILLER AVEC ATTENTION LES ENFANTS PRÉSENTS DANS LA MÊME PIÈCE QUE L'APPAREIL.**

**NE PAS FAIRE FONCTIONNER AVEC DES ÉLÉMENTS PROTECTEURS OUVERTS OU DÉMONTÉS.**

**TENIR LES VÊTEMENTS, LE MOBILIER, LES RIDEAUX ET AUTRES MATÉRIAUX COMBUSTIBLES À L'ÉCART.**



## ATTENTION

**CONSULTER LES CODES DU BÂTIMENT AVANT L'INSTALLATION. S'ADRESSER AUX AUTORITÉS RÉGLEMENTAIRES AVANT L'INSTALLATION POUR DÉTERMINER SI UN PERMIS EST NÉCESSAIRE.**

**L'INSTALLATION DOIT IMPÉRATIVEMENT ÊTRE CONFORME À TOUS LES CODES ET RÉGLEMENTATIONS EN VIGUEUR.**

**CONSULTER LES SERVICES DU BÂTIMENT OU D'INCENDIE LOCAUX CONCERNANT LES RESTRICTIONS ET LES EXIGENCES D'INSPECTION D'INSTALLATION EN VIGUEUR.**

**TESTÉ ET APPROUVÉ POUR LE COMBUSTIBLE EN GRANULES. LA COMBUSTION DE TOUT AUTRE TYPE DE COMBUSTIBLE ANNULE LA GARANTIE.**



## ATTENTION



### NE PAS JETER!

**IMPORTANTES INSTRUCTIONS D'UTILISATION ET D'ENTRETIEN INCLUSES.**

**VEILLER À LIRE, COMPRENDRE ET RESPECTER CES INSTRUCTIONS POUR ASSURER UNE INSTALLATION ET UN FONCTIONNEMENT SÛRS.**

**LAISSER CE MANUEL À LA PERSONNE RESPONSABLE DE L'UTILISATION ET DU FONCTIONNEMENT.**



## AVERTISSEMENT

AVERTISSEMENT INDIQUE QUE DES BLESSURES GRAVES OU LA MORT POURRAIENT RÉSULTER SI LES INSTRUCTIONS DE SÉCURITÉ QUI SUIVENT CE MOT-INDICATEUR NE SONT PAS RESPECTÉES.

LIRE CE MANUEL EN ENTIER AVANT D'INSTALLER ET D'UTILISER CE POÊLE À GRANULES. TOUT MANQUEMENT À RESPECTER LES INSTRUCTIONS PEUT PROVOQUER DES DÉGÂTS MATÉRIELS, DES BLESSURES CORPORELLES, VOIRE LA MORT.

LES ENFANTS ET LES ADULTES DOIVENT ÊTRE ALERTÉS DES DANGERS DE HAUTE TEMPÉRATURE DES SURFACES ET SE TENIR À L'ÉCART POUR ÉVITER LE CONTACT AVEC LES PEAU ET LES VÊTEMENTS.

LES JEUNES ENFANTS DOIVENT ÊTRE SURVEILLÉS AVEC ATTENTION S'ILS SONT DANS LA MÊME PIÈCE QUE LE POÊLE.

NE PAS PLACER DE VÊTEMENTS NI D'AUTRES MATIÈRES INFLAMMABLES SUR OU PRÈS DE CET APPAREIL.

NE JAMAIS UTILISER DE LIQUIDES INFLAMMABLES OU EXPLOSIFS TELS QUE L'ESSENCE, LE NAPHTA, L'ALCOOL OU L'HUILE MOTEUR À L'INTÉRIEUR OU AU VOISINAGE DU POÊLE. CES LIQUIDES DOIVENT ÊTRE ENTREPOSÉS DANS UNE PIÈCE SÉPARÉE CAR LA FLAMME NUE DANS LE FOYER PEUT ENFLAMMER LEURS VAPEURS.

NE PAS BRÛLER DE DÉCHETS DANS CET APPAREIL. LA COMBUSTION D'AUTRES COMBUSTIBLES SOLIDES TELS QUE LE BOIS EN BÛCHES OU EN COPEAUX DANS CE POÊLE N'EST PAS PERMISE. LA COMBUSTION DE TOUT COMBUSTIBLE NON CERTIFIÉ PAR CASTLE PELLET STOVES DANS CE POÊLE A POUR EFFET D'ANNULER LA GARANTIE.

NE PAS FAIRE PASSER LE CORDON ÉLECTRIQUE PAR DES ENDROITS DE GRANDE CIRCULATION. UN SYSTÈME DE PROTECTION CONTRE LES SURTENSIONS RACCORDÉ À SOURCE ÉLECTRIQUE DE 110 V AVEC TERRE EST REQUIS.



## AVERTISSEMENT

NE PAS POSER DE REGISTRE DE TIRAGE DANS LE SYSTÈME D'ÉVACUATION DE L'APPAREIL.

NE PAS RACCORDER CET APPAREIL À UN CONDUIT DE FUMÉE UTILISÉ POUR UN AUTRE APPAREIL.

NE PAS INSTALLER DANS UNE CHAMBRE À COUCHER.

NE PAS RACCORDER À UN AUTRE CONDUIT OU SYSTÈME DE DISTRIBUTION D'AIR.

- NE PAS RACCORDER DIRECTEMENT À UNE CHEMINÉE EN MAÇONNERIE.

- NE PAS FAIRE DÉBOUCHER L'ÉVACUATION DANS UN ESPACE FERMÉ OU SEMI-FERMÉ TEL QU'UN ABRI À VOITURE, GARAGE, GRENIER, VIDE SANITAIRE, SOLARIUM, GALERIE, PASSAGE PIÉTON OU AUTRE ENDROIT FERMÉ, NI DANS AUCUN ENDROIT OÙ LES FUMÉES PEUVENT S'ACCUMULER TEL QU'UNE CAGE D'ESCALIER, UN PASSAGE COUVERT, ETC.

- NE JAMAIS TOUCHER LES LOQUETS DE PORTE ALORS QUE LE POÊLE EST ALLUMÉ, ILS DEVIENNENT EXTRÊMEMENT CHAUDS.

CE POÊLE DOIT ÊTRE INSTALLÉ CORRECTEMENT POUR ASSURER UN FONCTIONNEMENT SÛR ET EFFICACE. UNE MAUVAISE INSTALLATION DE CE PRODUIT PEUT ENTRAÎNER UN INCENDIE ET DES BLESSURES CORPORELLES.

VEILLER À RESPECTER TOUS LES CODES DU BÂTIMENT EN VIGUEUR LOCALEMENT. AUX ENDROITS OÙ LE CODE DU BÂTIMENT PRÉVOIT, POUR L'INSTALLATION DE CE PRODUIT, DES ÉTAPES SUPPLÉMENTAIRES NE FIGURANT PAS DANS CE MANUEL, LE CODE DU BÂTIMENT PRÉVAUT ET DOIT ÊTRE RESPECTÉ. S'ADRESSER À L'INSPECTEUR EN BÂTIMENT LOCAL POUR OBTENIR TOUS LES PERMIS OU LES RÈGLES D'INSPECTION NÉCESSAIRES AVANT D'INSTALLER LE PRODUIT.





## ATTENTION

VEILLER À RESPECTER TOUS LES CODES DU BÂTIMENT EN VIGUEUR LOCALEMENT. AUX ENDROITS OÙ LE CODE DU BÂTIMENT PRÉVOIT, POUR L'INSTALLATION DE CE PRODUIT, DES ÉTAPES SUPPLÉMENTAIRES NE FIGURANT PAS DANS CE MANUEL, LE CODE DU BÂTIMENT PRÉVAUT ET DOIT ÊTRE RESPECTÉ. S'ADRESSER À L'INSPECTEUR EN BÂTIMENT LOCAL POUR OBTENIR TOUS LES PERMIS OU LES RÈGLES D'INSPECTION NÉCESSAIRES AVANT D'INSTALLER LE PRODUIT.

CONSULTER LES SERVICES DU BÂTIMENT OU D'INCENDIE LOCAUX CONCERNANT LES RESTRICTIONS ET LES EXIGENCES D'INSPECTION D'INSTALLATION EN VIGUEUR.

S'ADRESSER AUX AUTORITÉS LOCALES (SERVICE DE LA CONSTRUCTION MUNICIPAL, SERVICE D'INCENDIE, BUREAU DE LA PRÉVENTION DES INCENDIES, ETC.) POUR DÉTERMINER SI UN PERMIS EST NÉCESSAIRE.

LE POÊLE À GRANULES CASTLE PELLET STOVES EST CONÇU POUR BRÛLER UNIQUEMENT DES COMBUSTIBLES EN GRANULES.

UN DÉTECTEUR DE FUMÉE EN ÉTAT DE MARCHÉ DOIT ÊTRE INSTALLÉ DANS LA MÊME PIÈCE QUE LE POÊLE.

CE POÊLE N'EST PAS DESTINÉ À UNE UTILISATION DANS DES APPLICATIONS COMMERCIALES.

LA PORTE ET LE CENDRIER DOIVENT ÊTRE FERMÉS ET VERROUILLÉS DURANT LE FONCTIONNEMENT.

VEILLER À INFORMER L'ASSURANCE DE L'INSTALLATION DU POÊLE À GRANULES.

CETTE INSTALLATION DOIT ÊTRE CONFORME AUX CODES LOCAUX. EN L'ABSENCE DE CODES LOCAUX, ELLE DOIT ÊTRE CONFORME À ASTM E1509, (UM) 84-HUD, ULC/ORDC-1482 ET UCL S627-2000.

L'INTÉGRITÉ STRUCTURELLE DU PLANCHER, DES MURS ET DU PLAFOND/TOIT DES MAISONS MANUFACTURÉES DOIT ÊTRE PRÉSERVÉE.

GARDER LES MATIÈRES COMBUSTIBLES (HERBES, FEUILLES, ETC.) À 1 MÈTRE AU MOINS DE LA BOUCHE D'ÉVACUATION DE FUMÉE SUR L'EXTÉRIEUR DU BÂTIMENT.

CE POÊLE NE DOIT PAS ÊTRE UTILISÉ EN TANT QU'UNIQUE SOURCE DE CHAUFFAGE DE LA MAISON. LES COUPURES D'ÉLECTRICITÉ ET L'ENTRETIEN PÉRIODIQUE RÉSULTERAIENT EN UNE PERTE TOTALE DE CHAUFFAGE.

NE PAS LAISSER LE COUVERCLE DE TRÉMIE OUVERT.



## ATTENTION

L'INSTALLATION ET LES RÉPARATIONS DE CE POÊLE À GRANULES DOIVENT ÊTRE CONFIEES À UN TECHNICIEN D'ENTRETIEN QUALIFIÉ. L'APPAREIL DOIT ÊTRE INSPECTÉ AVANT UTILISATION ET AU MOINS UNE FOIS PAR AN PAR UN TECHNICIEN D'ENTRETIEN QUALIFIÉ. IL EST IMPÉRATIF QUE LES COMPARTIMENTS DE COMMANDE, LE FOYER ET LES CANAUX DE CIRCULATION D'AIR DU POÊLE SOIENT MAINTENUS PROPRES.

L'UTILISATION DE VENTILATEURS D'EXTRACTION TELS QUE LES VENTILATEURS DE SALLE DE BAIN OU DE GRENIER PEUT PRIVER LE POÊLE À GRANULES D'AIR DE COMBUSTION EN CRÉANT UNE DÉPRESSION DANS LA PIÈCE. PRÉVOIR UNE VENTILATION SUFFISANTE DE LA PIÈCE OÙ SE TROUVE LE POÊLE À GRANULES. SINON, LE MANOCONTACT PEUT COUPER LE FONCTIONNEMENT DU POÊLE À GRANULES.

LES PIÈCES EN MOUVEMENT DE CE POÊLE SONT ENTRAÎNÉES PAR DES MOTEURS ÉLECTRIQUES DE COUPLE ÉLEVÉ. CES PIÈCES PEUVENT CAUSER DE GRAVES BLESSURES AUX PARTIES DU CORPS QUI S'EN APPROCHENT. GARDER TOUTES LES PARTIES DU CORPS À L'ÉCART DE LA VIS SANS FIN ET DES VENTILATEURS LORSQUE LE POÊLE EST BRANCHÉ SUR UNE PRISE ÉLECTRIQUE. CES PIÈCES PEUVENT SE METTRE EN MOUVEMENT À TOUT MOMENT QUAND LE POÊLE EST BRANCHÉ.

LES SURFACES DU CONDUIT D'ÉVACUATION PEUVENT ÊTRE SUFFISAMMENT CHAUDES POUR CAUSER DES BRÛLURES AU TOUCHER. UN ÉCRAN OU DES PROTECTIONS NON COMBUSTIBLES PEUVENT ÊTRE REQUIS.

POSER LE CONDUIT D'ÉVACUATION EN RESPECTANT LES DÉGAGEMENTS SPÉCIFIÉS PAR LE FABRICANT.

TOUS LES RACCORDS D'ÉVACUATION, QU'ILS SOIENT VERTICAUX OU HORIZONTAUX, DOIVENT ÊTRE RENDUS ÉTANCHES AUX GAZ À L'AIDE DE PRODUITS D'ÉTANCHÉITÉ RECOMMANDÉS PAR LE FABRICANT DE L'ÉVACUATION.

EN VERTU DES EXIGENCES HUD (HOUSING & URBAN DEVELOPMENT), SI CE POÊLE EST INSTALLÉ DANS UNE MAISON MOBILE, IL DOIT ÊTRE MIS À LA MASSE PAR RACCORDEMENT DIRECT AU CHÂSSIS EN ACIER DE LA MAISON ET BOULONNÉ AU PLANCHER. UNE ARRIVÉE D'AIR DIRECTE DOIT ÊTRE PRÉVUE, UTILISER UN NÉCESSAIRE AIR FRAIS.

À UTILISER AUX ÉTATS-UNIS ET AU CANADA. HOMOLOGUÉ POUR UNE INSTALLATION DANS DES MAISONS MOBILES.

CASTLE PELLET STOVES, LE FABRICANT DE CET APPAREIL, SE RÉSERVE LE DROIT DE MODIFIER SES PRODUITS, LEURS CARACTÉRISTIQUES OU LEURS PRIX SANS PRÉAVIS.

## TABLE DES MATIÈRES

AVERTISSEMENTS ET MESURES DE PRÉCAUTION .....	2-5
TABLE DES MATIÈRES.....	6
ENREGISTREMENT ET REGISTRE D'ENTRETIEN.....	7
INTRODUCTION.....	8
Combustion de granules.....	8
Fonctions de sécurité automatiques.....	8
CARACTÉRISTIQUES.....	9
DÉBALLAGE .....	9
INSTALLATION.....	10
Placement du poêle .....	10
Exigences de protection du plancher.....	10
Dégagements jusqu'aux matériaux combustibles .....	11
Évacuation .....	12
Type d'évacuation .....	12
Pose de l'évacuation du poêle à granules .....	12
Dégagements préconisés pour la sortie d'évacuation .....	13-14
Raccordement d'air extérieur .....	15
Maison mobile.....	15
Exemples d'installation de ventilation.....	16-21
COMPRENDRE LE POÊLE .....	22
SE FAMILIARISER AVEC LA COMMANDE .....	22
ÉCRAN D'AFFICHAGE PRINCIPAL DE LA COMMANDE .....	23
AVANT UTILISATION.....	24
Montage de la commande.....	24
Avant de démarrer .....	24
FONCTIONNEMENT .....	25
Démarrage.....	25
Utilisation des différents modes de fonctionnement.....	25
Configuration des autres données sur la commande.....	26-28
DIAGNOSTIC.....	29
Rétablissement des paramètres par défaut.....	29
MISE À L'ARRÊT .....	29
ENTRETIEN .....	30
Soins et entretien courants.....	30
Entretien quotidien .....	31
Tâches hebdomadaires, mensuelles et bimensuelles.....	31
DÉPANNAGE ET RÉPARATION.....	33
COMMANDE DE PIÈCES DE RECHANGE.....	33
GUIDE DE DÉPANNAGE .....	34-35
ILLUSTRATION DES PIÈCES DÉTACHÉES .....	36-41

**\* Pour tout renseignement sur la garantie, visiter [www.castlestoves.com](http://www.castlestoves.com).**



## ENREGISTREMENT ET REGISTRE D'ENTRETIEN

Noter le numéro de modèle et le numéro de série dans l'espace prévu pour toujours les avoir à disposition. Complétez et envoyez par courrier postal la carte d'enregistrement trouvée dans le paquet de pièces ou effectuez l'enregistrement en ligne à [www.castlepelletstoves.com](http://www.castlepelletstoves.com). La garantie est valable uniquement si l'enregistrement dûment rempli est reçu par Castle dans les 30 jours après l'achat.

RENSEIGNEMENTS SUR LE PROPRIÉTAIRE		
Nom du revendeur :		
Adresse du revendeur :		
Ville :	État/Province :	Code postal :
Numéro de modèle :	Numéro de série :	
Date d'achat :		
Notes :		

FRANÇAIS

DATE	TECHNICIEN D'ENTRETIEN	DESCRIPTION DE L'OPÉRATION D'ENTRETIEN

## INTRODUCTION

Nous vous félicitons pour votre investissement dans la qualité. Merci d'avoir acheté un poêle Castle Pellet Stove. Nous nous sommes attachés à ce que ce poêle à granules réponde aux plus hautes normes d'utilisation et de durabilité. Moyennant des soins corrects, il offrira de nombreuses années de service fiable. Veuillez lire le manuel en entier avant de l'installer et de l'utiliser.

### Combustion de granules

Les cendres doivent être enlevées du poêle à intervalles réguliers. Voir la procédure de nettoyage dans la section Soins et entretien courants. En raison de la nature des combustibles en granules, ce poêle nécessite une attention périodique. Le nettoyage régulier est un aspect important de la combustion de granules.

### Granules

- Ce poêle à granules est conçu et homologué pour brûler des granules de bois conformes aux normes de l'industrie en la matière, d'une densité minimale de 0,64 g/cm<sup>3</sup> (40 lb/pi<sup>3</sup>), d'un diamètre de 6,4 à 8 mm (1/4 à 5/16 po), d'une longueur maximale de 38 mm (1-1/2 po) et de moins de 1 % de cendre.
- Les performances du poêle dépendent grandement du type et de la qualité des granules de bois. Comme le rendement thermique des diverses qualités de granules de bois varie, les performances et le rendement thermique du poêle varient en conséquence.
- Les granules de bois sont généralement produits à partir de déchets de bois tels que la sciure et les copeaux. Cette matière première est séchée, fractionnée mécaniquement puis extrudée en granules sous haute pression. Les granules de bois doivent être protégés contre l'exposition directe à l'eau. L'eau issue de la condensation ou de l'humidité ambiante provoque le gonflement et l'éclatement des granules en un combustible inutilisable. Garder le combustible au sec.
- Il est important de sélectionner et d'utiliser uniquement des granules bien secs et exempts de saleté et de débris. L'emploi d'un combustible sale est préjudiciable au fonctionnement et aux performances de l'appareil et a pour effet d'annuler la garantie. Le Pellet Fuel Institute (PFI) a établi des normes pour les fabricants de granules de bois. Utiliser uniquement des granules conformes ou supérieurs aux normes PFI pour les combustibles supérieurs.

### Scories

- Les impuretés, telles que la silice (scories), doivent être régulièrement nettoyées et enlevées du poêle à granules. Les scories forment une masse dure qui bloque la circulation d'air à travers les parois de la boîte à feu. Les combustibles de haute qualité produisent moins de scories.



## AVERTISSEMENT

**EN CAS DE COUPURE D'ÉLECTRICITÉ ALORS QUE LE POÊLE EST CHAUD, GARDER TOUTES LES PORTES DU POÊLE FERMÉES.**

**LES FONCTIONS DE SÉCURITÉ AUTOMATIQUE NE DOIVENT PAS ÊTRE NEUTRALISÉES.**



## ATTENTION

**LA COMBUSTION DE GRANULES DE BOIS CONFORMÉMENT AUX RECOMMANDATIONS ASSURERA UNE GRANDE DURABILITÉ DU POÊLE ET MOINS DE PROBLÈMES LIÉS AU COMBUSTIBLE.**

**L'UTILISATION DE GRILLES OU AUTRES MOYENS DE SUPPORT DU COMBUSTIBLE DANS CE POÊLE EST INTERDITE ET ANNULE TOUTES LES GARANTIES.**

## Fonctions de sécurité automatiques

### Panne d'électricité

Durant une panne d'électricité, le poêle s'éteint en toute sécurité. Ne pas ouvrir la porte principale ni le cendrier. Durant une coupure d'électricité, le ventilateur de tirage ne fonctionne pas. Le maintien des portes fermées permet un tirage naturel de la fumée vers l'extérieur. Lorsque l'électricité est rétablie, le poêle ne redémarre pas. Si la température des gaz d'évacuation est toujours de 49 °C (120 °C) au rétablissement du courant électrique, les ventilateurs de tirage et de convection se mettent en marche jusqu'au refroidissement du poêle. Voir les instructions de redémarrage du poêle à la section « Fonctionnement ».

### Surchauffe

**Protection contre l'emballement :** Si la combustion du poêle s'emballe ou devient trop chaude, les contacteurs de haute température arrêtent automatiquement le poêle pour éviter les dommages à ses composants. Le ventilateur de tirage continue de fonctionner jusqu'au refroidissement du détecteur de flamme. Laisser le poêle refroidir avant de tenter de le rallumer. Pour de plus amples renseignements, voir la section « Fonctionnement ».

## CARACTÉRISTIQUES

Numéro de modèle	Serenity
Consommation (1)	1,8 kg/h (4,0 lb/h)
Capacité de chauffage (2)	140 m <sup>2</sup> (1500 p <sup>2</sup> )
Alimentation électrique (3)	115 V, 60 Hz
Consommation électrique	402 W allumage 77 W fonctionnement
Capacité de combustible	18 kg (40 lb)
Diamètre d'évacuation (4)	76 mm (3 po)
Largeur	464 mm (18,25 po)
Hauteur	864 mm (34 po)
Profondeur	603 mm (23,75 po)
Poids	84 kg (186 lb)

- (1) Le rendement thermique dépend de la marque, du type et de la qualité du combustible et de sa teneur en humidité. Pour obtenir les meilleurs résultats, consulter le revendeur.
- (2) Basé sur une maison post-1982 nécessitant 35 BTU/h par pied carré.
- (3) Installer suivant NFPA 70 et respecter tous les codes provinciaux et locaux, obtenir l'assistance d'un électricien agréé.
- (4) Installer suivant NFPA 211 et respecter tous les codes provinciaux et locaux, obtenir l'assistance d'un installateur agréé.

Étiquette d'homologation :



Testé suivant les normes suivantes : UL1482, ASTM E1509, ULC/ORD-C1482-M1990, UCL S627-2000 et E2779

### Caractéristiques de la vitre

Ce poêle est équipé d'une vitre céramique de 5 mm. Remplacer la vitre uniquement par une vitre céramique de marque Castle Pellet Stoves. Pour les pièces de rechange, appeler le revendeur ou Castle au 1-800-345-6007.



### ATTENTION

**CETTE INSTALLATION DOIT ÊTRE CONFORME AUX CODES LOCAUX. EN L'ABSENCE DE CODES LOCAUX, ELLE DOIT ÊTRE CONFORME À ASTM E1509, (UM) 84-HUD, ULC/ORD-C-1482 ET UCL S627-2000.**

**CASTLE PELLET STOVES, LE FABRICANT DE CET APPAREIL, SE RÉSERVE LE DROIT DE MODIFIER SES PRODUITS ET LEURS CARACTÉRISTIQUES SANS PRÉAVIS.**

**S'ASSURER QUE LA TRÉMIE EST EXEMPTÉ DE TOUTE MATIÈRE ÉTRANGÈRE AVANT DE LA REMPLIR DE COMBUSTIBLE. LES MATIÈRES ÉTRANGÈRES PROVOQUENT DES BLOCAGES DE LA VIS SANS FIN ET ANNULENT LA GARANTIE.**

### DÉBALLAGE

Le poêle Castle Serenity est livré entièrement assemblé. Enlever tout le matériau d'emballage et le ruban adhésif de l'intérieur du foyer. Décoller tout ruban adhésif de l'extérieur de la vitre. Ouvrir la trémie, enlever tout le matériau d'emballage et le cordon électrique.

## INSTALLATION

Il est recommandé de faire installer et entretenir le poêle par des professionnels agréés qui sont certifiés spécialistes des granules NFI par le National Fireplace Institute (NFI).

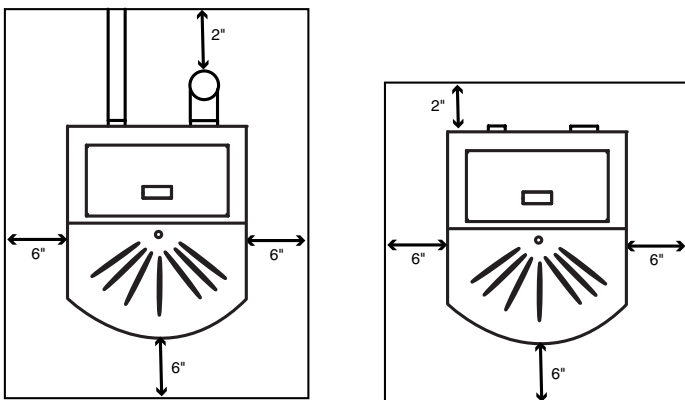
Ce poêle doit être installé correctement pour assurer un fonctionnement sûr et efficace. Une mauvaise installation de ce produit peut entraîner un incendie de maison et des blessures corporelles. Veiller à respecter tous les codes du bâtiment en vigueur localement. Aux endroits où le code du bâtiment prévoit, pour l'installation de ce produit, des étapes supplémentaires ne figurant pas dans ce manuel, le code du bâtiment prévaut et doit être respecté. S'adresser à l'inspecteur en bâtiment local pour obtenir tous les permis ou les règles d'inspection nécessaires avant d'installer le produit.

### Placement du poêle

Dessiner un schéma dimensionné de l'installation du poêle avant son placement permanent. Lors de la détermination de l'emplacement du poêle, l'emplacement des poteaux muraux est essentiel. Il peut être nécessaire d'ajuster la position du poêle pour éviter de faire passer le tuyau de fumée à travers un poteau. Avant de positionner le poêle à granules, raccorder l'évacuation en respectant les dégagements minimum requis pour les murs combustibles.

### Exigences de protection du plancher

Le poêle doit être installé sur un plancher non combustible, avec une protection de plancher appropriée, ou sur un âtre en maçonnerie. Lorsqu'un conduit en T de nettoyage est prévu à l'intérieur d'une maison, la protection de plancher doit dépasser de 5 cm (2 po) au-delà du T. **VOIR FIGURE 1.** Lorsque l'évacuation du poêle se fait tout droit à travers le mur et que le T de nettoyage est à l'extérieur de la maison, le dégagement minimum est de 5 cm (2 po) entre l'arrière du poêle et le mur. **VOIR FIGURE 2.** Le matériau protecteur de plancher doit être de la tôle métallique de 24 ga (0,6 mm) minimum.



Figures 1 et 2 : Dégagements de la plaque de sol du poêle à granules



## AVERTISSEMENT

**LIRE CE MANUEL EN ENTIER AVANT D'INSTALLER ET D'UTILISER LE POÊLE. TOUT MANQUEMENT À RESPECTER LES INSTRUCTIONS PEUT PROVOQUER DES DÉGÂTS MATÉRIELS, DES BLESSURES CORPORELLES, VOIRE LA MORT.**

**NE PAS POSER DE REGISTRE DE TIRAGE DANS LE SYSTÈME D'ÉVACUATION DE L'APPAREIL.**

**NE PAS RACCORDER CET APPAREIL À UN CONDUIT DE FUMÉE UTILISÉ POUR UN AUTRE APPAREIL.**

**LES ENFANTS ET LES ADULTES DOIVENT ÊTRE ALERTÉS DES DANGERS DE HAUTE TEMPÉRATURE DES SURFACES ET SE TENIR À L'ÉCART POUR ÉVITER LE CONTACT AVEC LES PEAU ET LES VÊTEMENTS.**

**LES JEUNES ENFANTS DOIVENT ÊTRE SURVEILLÉS AVEC ATTENTION S'ILS SONT DANS LA MÊME PIÈCE QUE LE POÊLE.**

**NE PAS PLACER DE VÊTEMENTS NI D'AUTRES MATIÈRES INFLAMMABLES SUR OU PRÈS DE CET APPAREIL.**



## ATTENTION

**CE POÊLE NE DOIT PAS ÊTRE UTILISÉ EN TANT QU'UNIQUE SOURCE DE CHAUFFAGE DE LA MAISON. LES COUPURES D'ÉLECTRICITÉ ET L'ENTRETIEN PÉRIODIQUE RÉSULTERAIENT EN UNE PERTE TOTALE DE CHAUFFAGE.**

**CONSULTER LES SERVICES DU BÂTIMENT OU D'INCENDIE LOCAUX CONCERNANT LES RESTRICTIONS ET LES INSPECTIONS D'INSTALLATION EN VIGUEUR.**

**S'ADRESSER AUX AUTORITÉS LOCALES (SERVICE DE LA CONSTRUCTION MUNICIPALE, SERVICE D'INCENDIE, BUREAU DE LA PRÉVENTION DES INCENDIES, ETC.) POUR DÉTERMINER SI UNE PERMISSE EST NÉCESSAIRE. GARDER LES MATIÈRES COMBUSTIBLES (HERBES, FEUILLES, ETC.) À 1 MÈTRE AU MOINS DE LA BOUCHE D'ÉVACUATION DE FUMÉE SUR L'EXTÉRIEUR DU BÂTIMENT.**

**L'INSTALLATION ET LES RÉPARATIONS DE CE POÊLE À GRANULES DOIVENT ÊTRE CONFIEES À UN TECHNICIEN D'ENTRETIEN QUALIFIÉ. L'APPAREIL DOIT ÊTRE INSPECTÉ AVANT UTILISATION ET AU MOINS UNE FOIS PAR AN PAR UN TECHNICIEN D'ENTRETIEN QUALIFIÉ. IL EST IMPÉRATIF QUE LES COMPARTIMENTS DE COMMANDE, LE FOYER ET LES CANAUX DE CIRCULATION D'AIR DU POÊLE SOIENT MAINTENUS PROPRES.**

## Dégagements jusqu'aux matériaux combustibles

**REMARQUE :** Ces distances sont les dégagements minimum jusqu'aux matériaux combustibles établis par le laboratoire d'essai de l'ASTM (VOIR FIGURES 3, 4, 5 et 6).

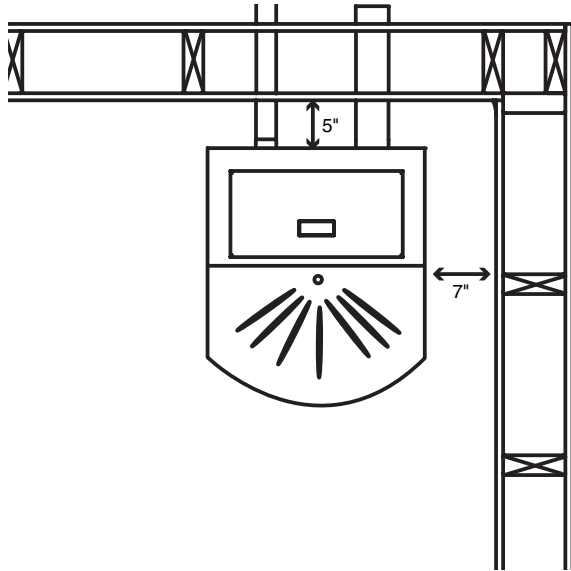


Figure 3 : Pose droite, évacuation à travers le mur

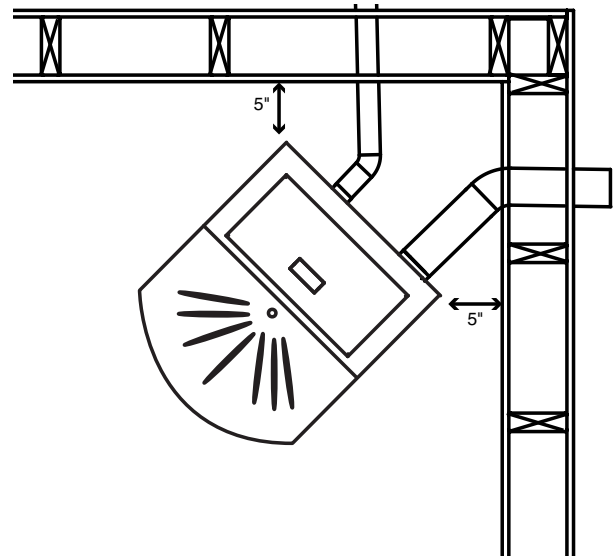


Figure 4 : Pose d'angle, évacuation à travers le mur

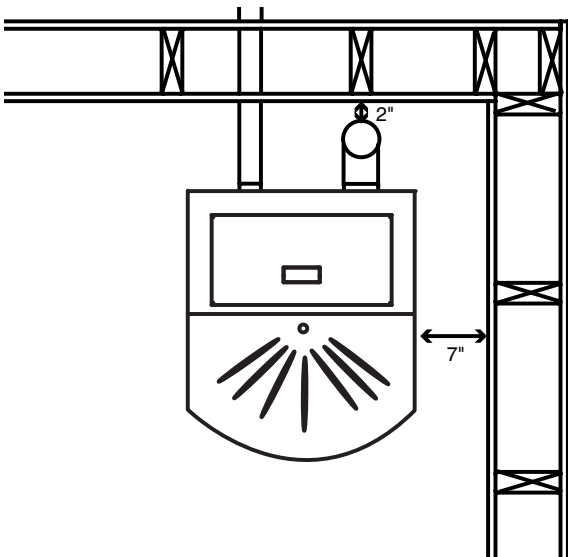


Figure 5 : Pose droite, évacuation verticale intérieure

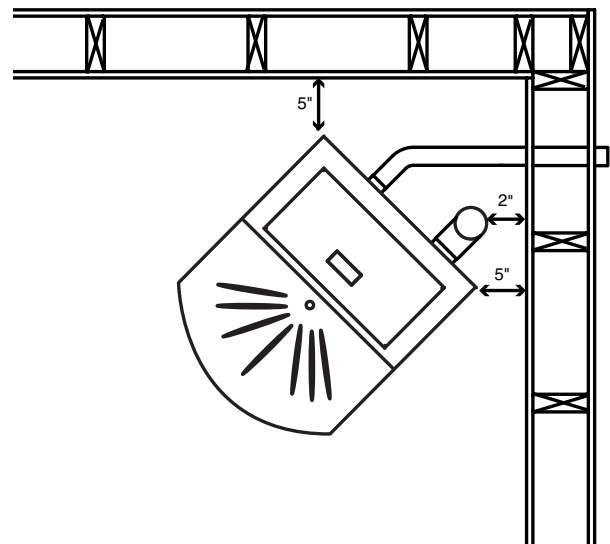


Figure 6 : Pose d'angle, évacuation verticale intérieure

**REMARQUE :** Lorsqu'un conduit d'évacuation intérieur est installé verticalement, le dégagement jusqu'au mur arrière dépend de la taille du conduit utilisé. Poser le conduit d'évacuation en respectant le dégagement spécifié par le fabricant du conduit. Veiller à tenir compte de tous les coudes ou tés tournés vers le haut.

## Évacuation

**Avant de poser l'évacuation, consulter les spécifications et recommandations du fabricant de conduits pour toutes les installations d'évacuation.**

Les directives de pose suivantes doivent être respectées pour assurer la conformité à la fois avec l'homologation de sécurité de ce poêle et les codes du bâtiment locaux.

**Remarque : Lorsque la traversée d'un mur ou d'une cloison de matériaux combustibles est souhaité, la pose doit être conforme à CAN/CSA-8365.**

## Type d'évacuation

Le tuyau d'évacuation du poêle à granules (appelé conduit en L) comporte deux épaisseurs de tôle séparées par une couche d'air. Cette couche d'air joue un rôle isolant qui réduit la température de la surface extérieure du tuyau et créer un espacement par rapport aux matériaux combustibles.

Un système d'évacuation de poêle à granules de type L de 3 ou 4 pouces homologué UL doit être utilisé pour l'installation et attaché au raccord de tuyau sur l'arrière du poêle. Utiliser adaptateur de 3 po à 4 po si un tuyau de 4 po est utilisé. Les cheminées d'évacuation de type L doivent être terminées par un chapeau. Aux altitudes de plus de 750 m (2500 pi) au-dessus du niveau de la mer, un conduit L de 4 po est requis.

## Pose de l'évacuation du poêle à granules

La sortie d'évacuation doit **IMPÉRATIVEMENT** déboucher plus haut que la prise d'air.

Il est conseillé de poser au moins 90 cm (3 pi) de conduit d'évacuation vertical. Ce tuyau vertical crée une forme de tirage naturel pour éviter le risque de refoulement de fumée ou d'odeurs lorsque l'appareil est éteint et évite que l'évacuation présente une nuisance ou un danger d'exposition à des températures élevées.

L'installation doit comporter un té de nettoyage pour la collecte des cendres volantes et le nettoyage périodique du système d'évacuation.

La longueur totale de conduit horizontal ne doit pas dépasser 3 mètres (10 pi). La hauteur d'évacuation verticale maximale conseillée est de 5,5 mètres (18 pi).



Tous les joints de conduit d'évacuation doivent être attachés avec au moins trois vis et tous les raccords d'évacuation (y compris adaptateurs, coudes, etc.) doivent être rendus étanches à l'air par l'injection de silicone RTV de 500 °F (260 °C) dans les interstices entre les sections de tuyau.

La traversée du tuyau d'évacuation vers l'extérieur de la maison doit être rendu étanche avec du silicone ou tout autre moyen de maintien de l'écran pare-vapeur entre l'extérieur et l'intérieur de la maison.



## ATTENTION

**NE PAS RACCORDER CET APPAREIL À UN CONDUIT DE FUMÉE UTILISÉ POUR UN AUTRE APPAREIL.**

**NE PAS POSER DE REGISTRE DE TIRAGE DANS LE SYSTÈME D'ÉVACUATION DE L'APPAREIL.**

**NE PAS RACCORDER DIRECTEMENT À UNE CHEMINÉE EN MAÇONNERIE.**

**NE PAS FAIRE DÉBOUCHER L'ÉVACUATION DANS UN ESPACE FERMÉ OU SEMI-FERMÉ TEL QU'UN ABRI À VOITURE, GARAGE, GRENIER, VIDE SANITAIRE, SOLARIUM, GALERIE, PASSAGE PIÉTON OU AUTRE ENDROIT FERMÉ, NI DANS AUCUN ENDROIT OÙ LES FUMÉES PEUVENT S'ACCUMULER TEL QU'UNE CAGE D'ESCALIER, UN PASSAGE COUVERT, ETC.**



## AVERTISSEMENT

**LES SURFACES DU CONDUIT D'ÉVACUATION PEUVENT ÊTRE SUFFISAMMENT CHAUDES POUR CAUSER DES BRÛLURES AU TOUCHER. UN ÉCRAN OU DES PROTECTIONS NON COMBUSTIBLES PEUVENT ÊTRE REQUIS.**

**L'ÉVACUATION DU POÊLE DOIT RESPECTER LES DÉGAGEMENTS MINIMUM SPÉCIFIÉS PAR LE FABRICANT DU CONDUIT POUR TOUS LES MATÉRIAUX COMBUSTIBLES.**

**POSER LE CONDUIT D'ÉVACUATION EN RESPECTANT LES DÉGAGEMENTS SPÉCIFIÉS PAR LE FABRICANT.**

**TOUS LES RACCORDS D'ÉVACUATION, QU'ILS SOIENT VERTICAUX OU HORIZONTAUX, DOIVENT ÊTRE RENDUS ÉTANCHES AUX GAZ À L'AIDE DE PRODUITS D'ÉTANCHÉITÉ RECOMMANDÉS.**



## Dégagements préconisés pour la sortie d'évacuation

- L'évacuation du poêle doit déboucher sur l'extérieur du bâtiment. Les sorties horizontales doivent dépasser d'un minimum de 30 cm (12 po) du mur. Les sorties verticales doivent dépasser d'un minimum de 60 cm (24 po) de la surface du toit. **En outre, tous les dégagements indiqués ci-dessous doivent être respectés. VOIR FIGURE 7.**
- La sortie doit comporter un chapeau homologué (pour empêcher la pénétration d'eau) ou un coude à 45° vers le bas avec écran anti-rongeurs.
- Si la bouche de sortie se trouve sur une façade exposée au vent, il est conseillé de protéger la maison par un écran homologué pour éviter l'accumulation de suie sur le mur extérieur.
- Ne pas faire déboucher l'évacuation à un endroit où elle peut être obstruée par la neige ou autres matières.

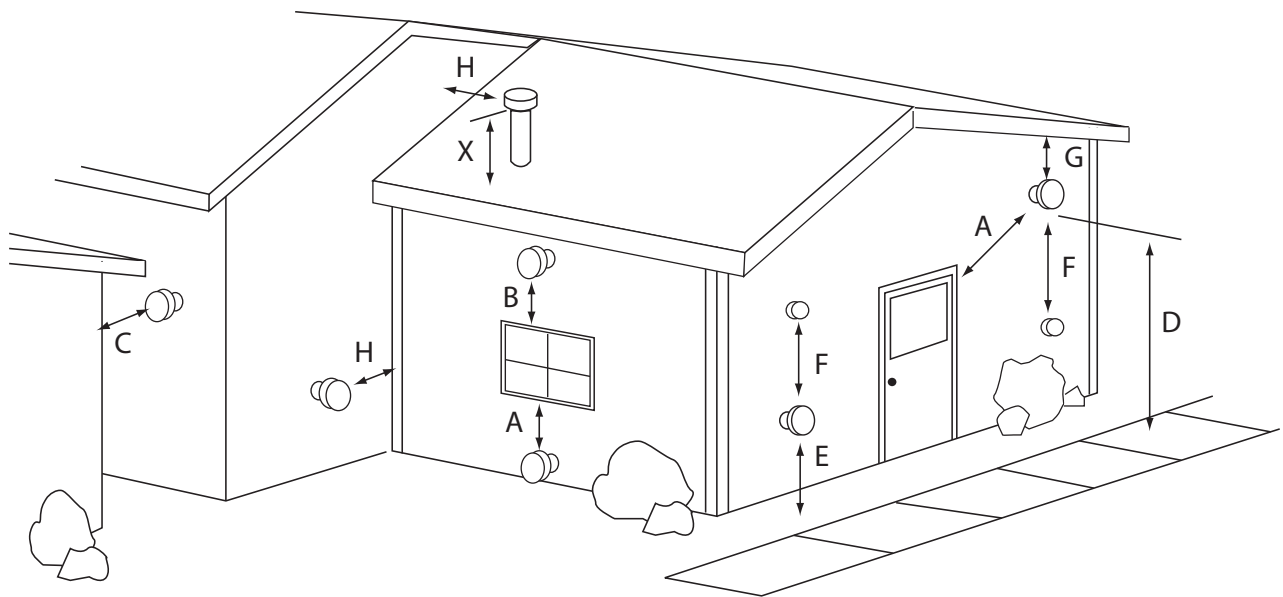


Figure 7 : Sortie d'évacuation

- A : Dégagement minimum de 122 cm (4 pi) en dessous et à côté de toute porte ou fenêtre qui s'ouvre. (Ce dégagement peut être réduit à 46 cm [18 po] en cas d'utilisation d'air extérieur). Il est conseillé de garder la porte ou fenêtre fermée durant la marche. Dégagement minimum de 30 cm (1 pi) en dessous et à côté de toute fenêtre qui ne s'ouvre pas.
- B : Dégagement minimum de 30 cm (1 pi) au-dessus de toute porte ou fenêtre qui s'ouvre.
- C : Dégagement minimum de 60 cm (2 pi) depuis tout bâtiment adjacent.
- D : Dégagement minimum de 2,1 m (7 pi) au-dessus du niveau du sol de toute allée piétonne publique adjacente.

- E : Dégagement minimum de 60 cm (2 pi) au-dessus de toute herbe, plante ou autre matériau combustible.
- F : Dégagement minimum de 90 cm (3 pi) depuis toute prise d'air forcé de tout autre appareil.
- G : Dégagement minimum de 60 cm (2 pi) en dessous des avant-toits et surplombs.
- H : Dégagement horizontal minimum de 30 cm (1 pi) depuis un mur combustible.
- X : Doit être d'un minimum de 60 cm (2 pi) au-dessus du toit.

**REMARQUE : La sortie d'évacuation ne doit pas déboucher dans un passage ou une allée couverts.**

## Évacuation du poêle à granules (voir Figures 8 à 16)



### ATTENTION

**S'ASSURER QUE L'ÉVACUATION DU POÊLE À GRANULES EST CORRECTE. NE PAS POSER DE REGISTRE DE TIRAGE DANS LE SYSTÈME D'ÉVACUATION DE L'APPAREIL.**

**UTILISER UN MANCHON MURAL HOMOLOGUÉ POUR FAIRE PASSER L'ÉVACUATION À TRAVERS UN MUR. UTILISER UN SUPPORT/BOUCLIER PARE-FEU DE PLAFOND POUR FAIRE PASSER L'ÉVACUATION À TRAVERS UN PLAFOND (VEILLER À MAINTENIR LES DÉGAGEMENTS PRÉVUS PAR RAPPORT À TOUTE MATIÈRE COMBUSTIBLE).**

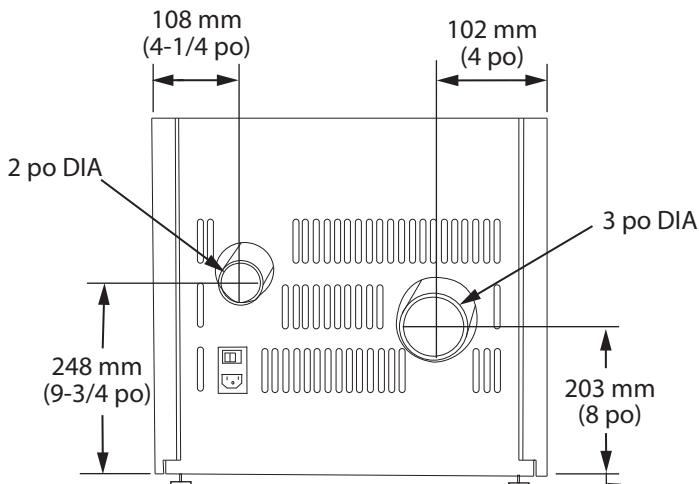
**SI LE CONDUIT COMPORTE PLUS D'UN TÉ ET UN TOTAL DE 180° DE COUDES, UTILISER IMPÉRATIVEMENT DES TUYAUX D'ÉVACUATION DE 4 POUCES.**

**REMARQUE :** Pour obtenir des performances optimales, il est conseillé de maintenir l'évacuation aussi courte que possible, en particulier les portions horizontales.

L'évacuation doit comporter un support d'appui tous les 1,5 m (5 pi) de conduit lorsqu'il est à l'extérieur du bâtiment.

La hauteur et la longueur de l'évacuation ne doivent pas dépasser les valeurs illustrées dans le diagramme ci-dessous.

Une évacuation dans cette zone grisée (claire) peut nécessiter des ajustements de tension du moteur de combustion et/ou des ajustements de la prise d'air (admission). **VOIR FIGURE 9.**



**REMARQUE :** LES PIEDS RÉGLABLES PEUVENT AJOUTER JUSQU'À 2,5 CM DE HAUTEUR EN FONCTION DES BESOINS DE MISE DE NIVEAU DE L'INSTALLATION. CETTE DIMENSION DEVRA ÊTRE AJOUTÉE À LA HAUTEUR POUR ASSURER LA BONNE INSTALLATION DES CONDUITS D'ÉVACUATION.

Figure 8 : Positions de l'admission et de l'évacuation

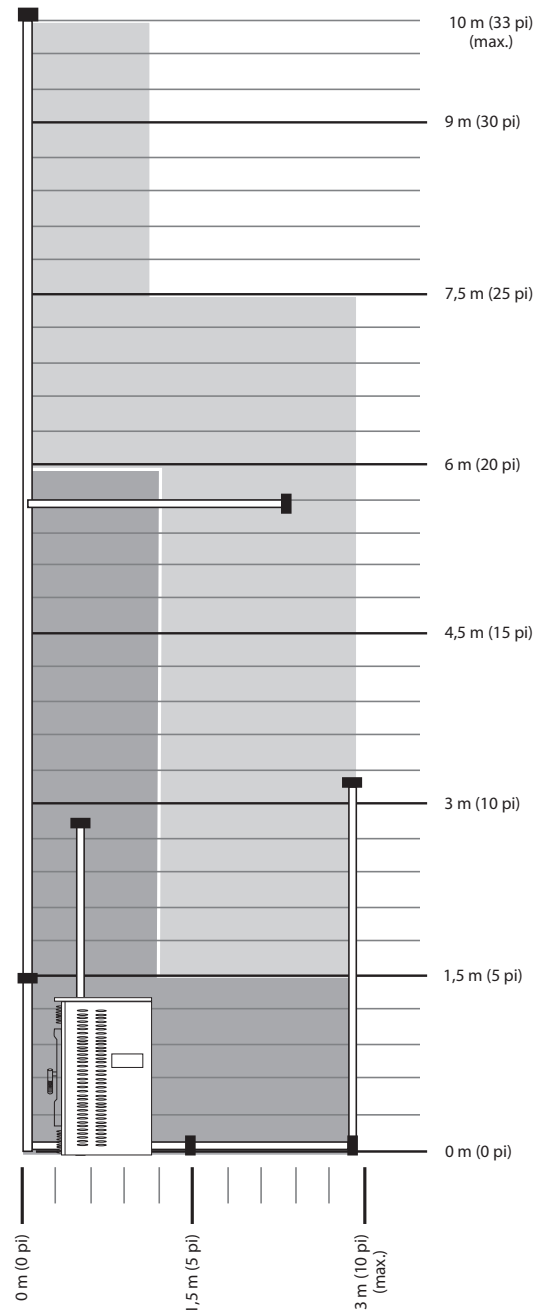


Figure 9 : Table d'évacuation et d'ajustement de tension du moteur de combustion

## Raccordement d'air extérieur

Le raccordement du tuyau d'admission (tuyau de 2 po de diamètre à l'arrière du poêle, voir Figure 8) vers l'extérieur est **OBLIGATOIRE** dans les maisons mobiles. Il est conseillé dans les maisons très hermétiques équipées de ventilateurs d'extraction dans la cuisine ou la salle de bains. Cela élimine les problèmes de fonctionnement causés par une dépression ambiante.

Seul un tuyau non combustible (droit ou flexible) de 2 po (ou plus) de diamètre peut être utilisé pour les raccordements d'air extérieurs.

**REMARQUE : Les tuyaux de PVC ne sont PAS homologués et ne doivent JAMAIS être raccordés au poêle.**

**CONSEIL PRATIQUE : L'admission d'air d'un poêle à granules Castle accepte des tuyaux et raccords d'échappement automobiles.**

Si l'admission d'air est raccordée à l'extérieur, elle doit **IMPÉRATIVEMENT** se terminer par un coude vertical de 90° (vers le bas) ou par un chapeau. Dans le cas contraire, il peut se produire une réinflammation en cas de grand vent soufflant directement dans l'admission d'air durant une panne d'électricité.

Une obstruction, une longueur excessive ou des coudes supplémentaires dans le tuyau d'admission ont pour effet de priver le poêle d'air de combustion. Un coude de 90° produit une restriction équivalente à environ 75 cm (30 pi) de tuyau droit.

## Maison mobile

L'installation dans une maison mobile doit être en conformité avec la norme sur la sécurité et les maisons manufacturées du *Department of Housing and Urban Development (HUD) CITE: 24CFR3280.707* qui prévoit que le poêle doit être évacué vers l'extérieur. En plus des instructions d'installation standard, les exigences suivantes sont obligatoires pour l'installation dans une maison mobile :

1. Le poêle doit être attaché au plancher de façon permanente.
2. Le poêle doit avoir une source d'air extérieure.
3. Le poêle doit être électriquement relié à la masse par raccordement au châssis en acier de la maison mobile.
4. Tous les conduits de fumée verticaux doivent comporter des supports muraux.
5. Tous les systèmes d'évacuation doivent comporter un pare-étincelles.
6. Vérifier auprès des services du bâtiment locaux si d'autres codes s'appliquent.



## AVERTISSEMENT

**DANGER D'INTOXICATION AU MONOXYDE DE CARBONE. NE PAS RACCORDER À UN AUTRE CONDUIT OU SYSTÈME DE DISTRIBUTION D'AIR. NE PAS INSTALLER DANS UNE CHAMBRE À COUCHER.**



## ATTENTION

**L'UTILISATION DE VENTILATEURS D'EXTRACTION TELS QUE LES VENTILATEURS DE SALLE DE BAIN OU DE GRENIER PEUT PRIVER LE POÊLE À GRANULES D'AIR DE COMBUSTION EN CRÉANT UNE DÉPRESSION DANS LA PIÈCE. PRÉVOIR UNE VENTILATION SUFFISANTE DE LA PIÈCE OÙ SE TROUVE LE POÊLE À GRANULES. SINON, LE MANOCONTACT PEUT COUPER LE FONCTIONNEMENT DU POÊLE À GRANULES.**

**L'INTÉGRITÉ STRUCTURELLE DU PLANCHER, DES MURS ET DU PLAFOND/TOIT DES MAISONS MANUFACTURÉES DOIT ÊTRE PRÉSERVÉE.**

## EXEMPLES DE VENTILATION SIMPLE DU POÊLE

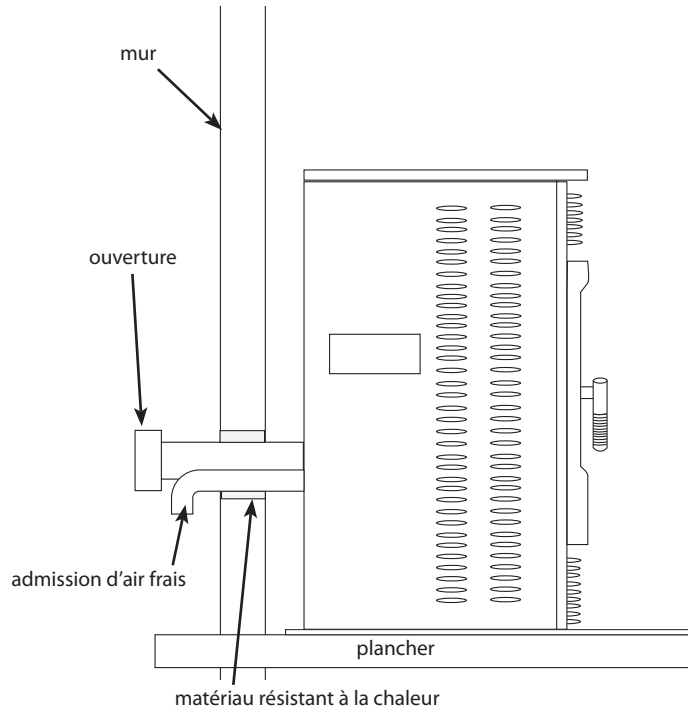


Figure 10 : Pose droite — évacuation extérieure à travers le mur

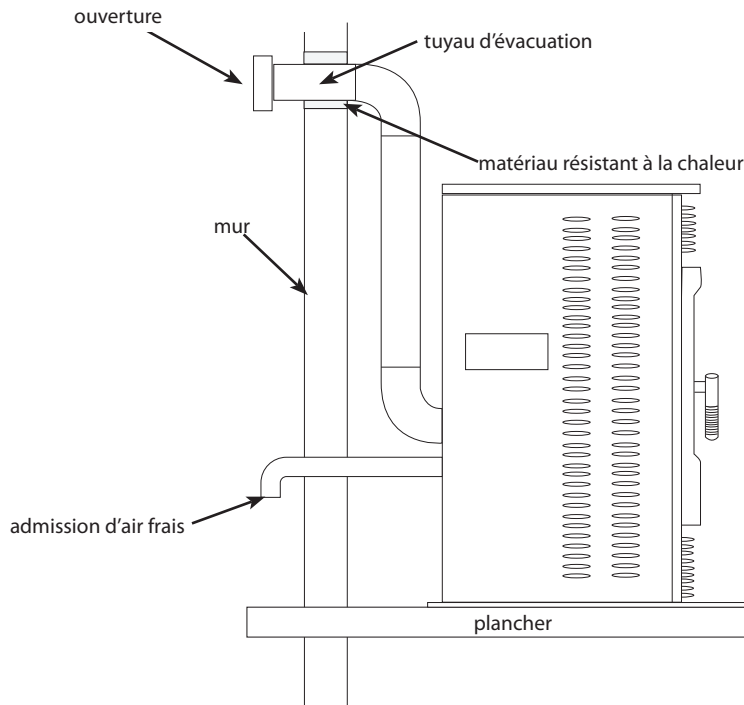
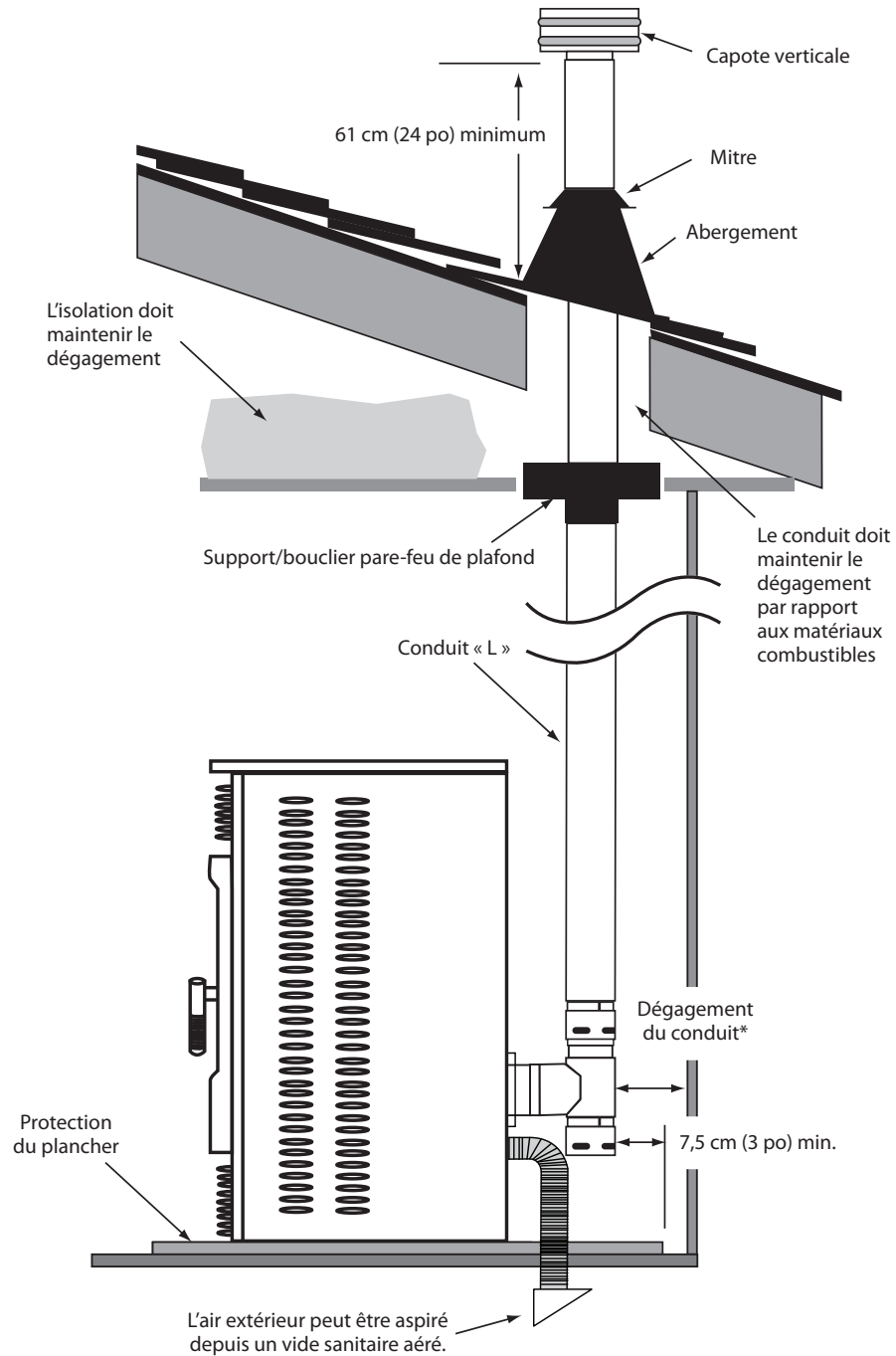


Figure 11 : Pose droite — portion verticale intérieure, sortie horizontale

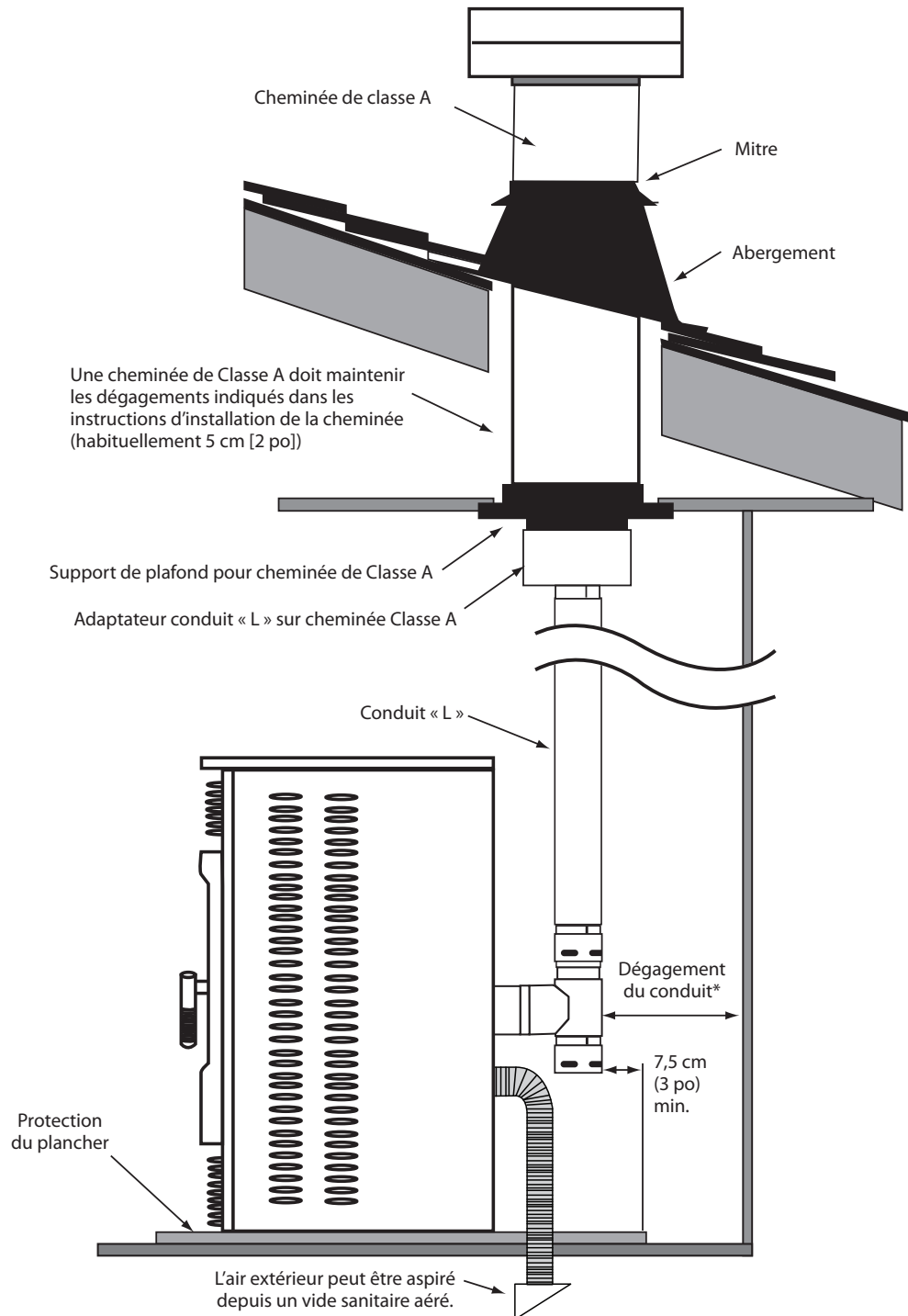
## EXEMPLES DE VENTILATION COMPLEXE DU POÊLE



\* Poser un conduit d'évacuation en respectant le dégagement spécifié par le fabricant du conduit.

Figure 12 : Pose verticale intérieure

## ADAPTATION D'UNE CHEMINÉE DE CLASSE A



\* Poser un conduit d'évacuation en respectant le dégagement spécifié par le fabricant du conduit.

Figure 13 : Adaptation d'une cheminée de classe A

## POÊLE POUR ÂTRE DE CHEMINÉE EN MAÇONNERIE

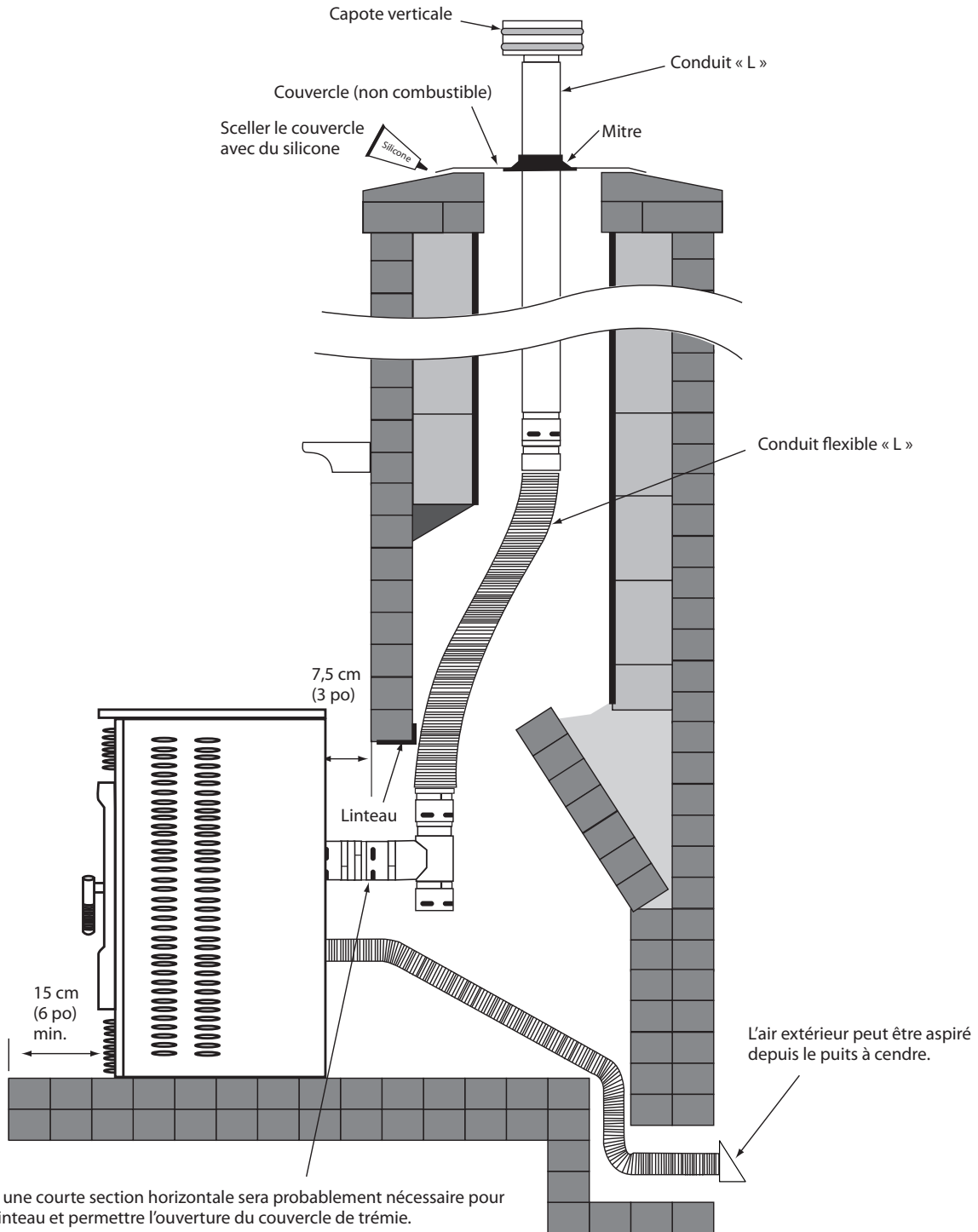
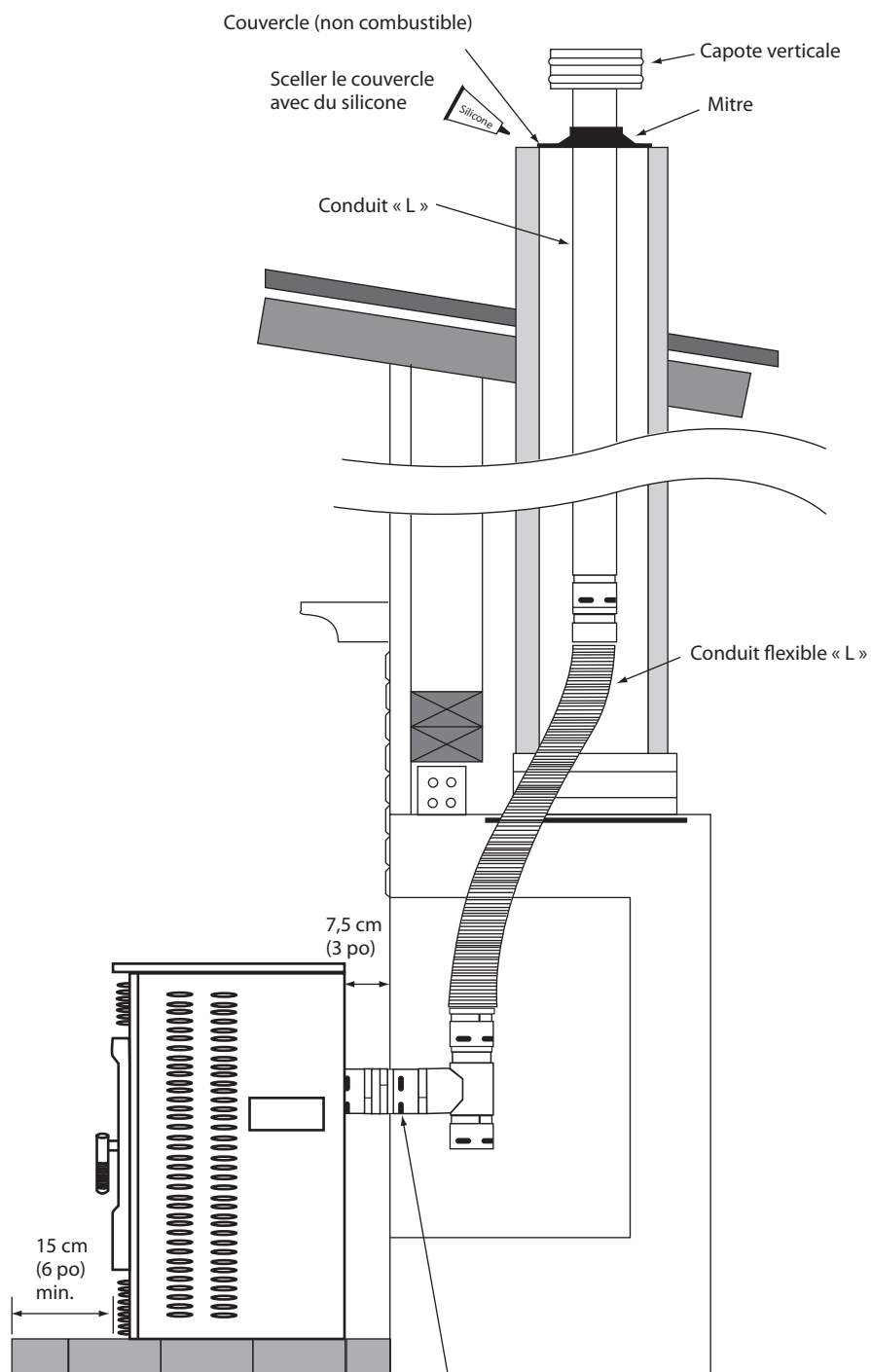


Figure 14 : Poêle pour âtre de cheminée en maçonnerie

## POÊLE POUR ÂTRE DE CHEMINÉE À DÉGAGEMENT ZÉRO (MÉTALLIQUE)



REMARQUE : une courte section horizontale sera probablement nécessaire pour dépasser le linteau et permettre l'ouverture du couvercle de trémie.

Figure 15 : Poêle pour âtre de cheminée à dégagement zéro (métallique)



## CHEMINÉE EN MAÇONNERIE SEULE

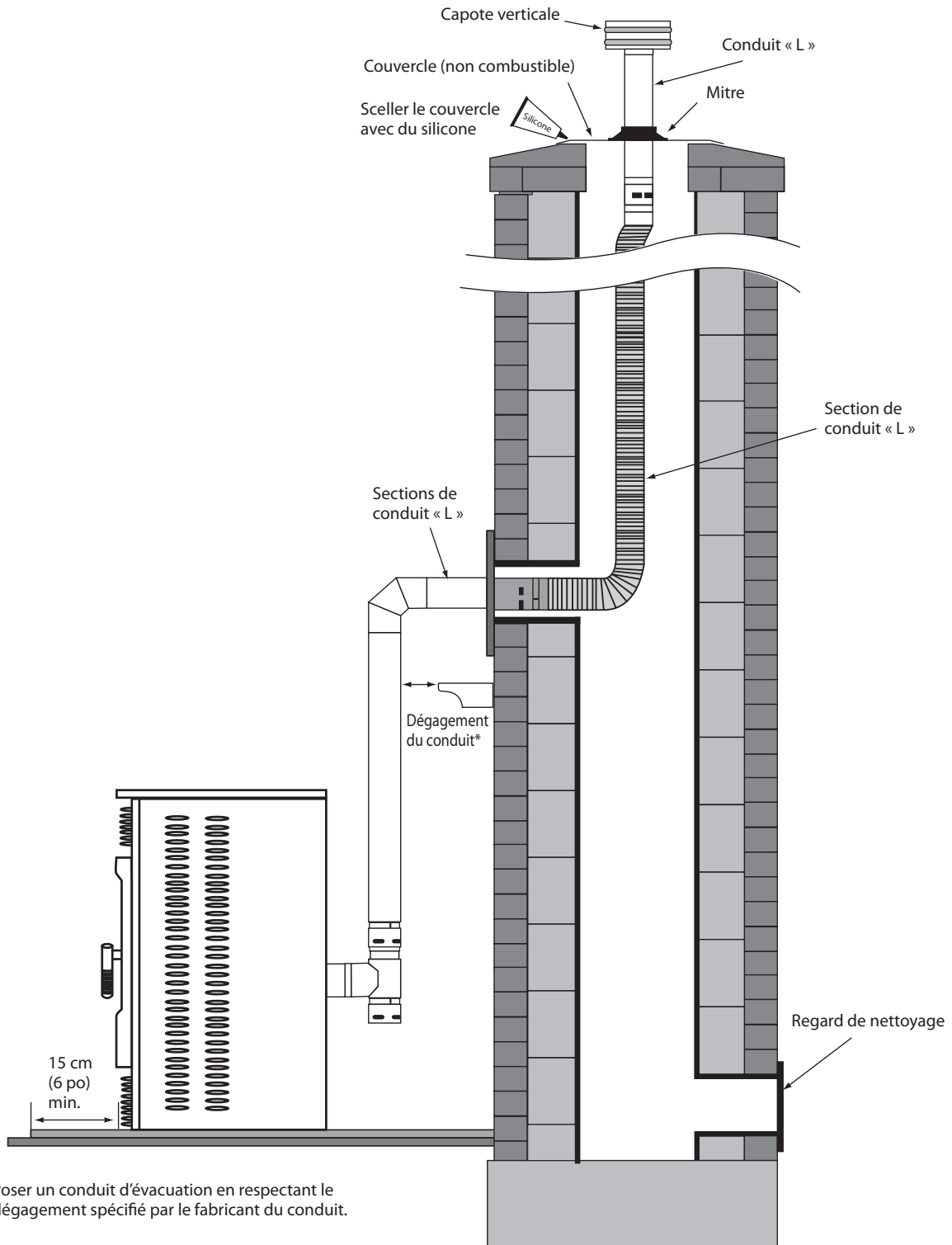


Figure 16 : Cheminée en maçonnerie seule

## COMPRENDRE LE POÊLE

Le poêle à granules Castle comporte un système d'alimentation de combustible à vis sans fin verticale commandée par un circuit numérique contrôlé par microprocesseur. Le circuit numérique permet un fonctionnement du système d'alimentation en combustible suivant un cycle temporisé non continu ; cela permet à la vis sans fin de tourner pendant une durée préétablie. La vis sans fin fait remonter les granules dans une goulotte à l'intérieur de la trémie. Les granules tombent ensuite à travers une autre goulotte jusqu'à la boîte à feu. Le poêle est équipé d'un système d'allumage automatique qui doit allumer le combustible dans les 3 à 5 minutes après avoir appuyé sur la touche Marche/Arrêt. Lorsque les granules remplissent la boîte à feu et s'allument, l'air extérieur est aspiré à travers le combustible et chauffé durant le processus de combustion, puis aspiré à travers l'échangeur thermique par le moteur d'évacuation ou le ventilateur de tirage. Lorsque le poêle atteint sa température de fonctionnement, l'air de la pièce est circulé autour de l'échangeur thermique par une soufflante d'air ambiant et l'air chaud est distribué dans la pièce.

La quantité de chaleur produite par le poêle est proportionnelle au taux de combustible qui est brûlé.

Comme une pression de tirage forcé est requise par le processus de combustion à l'intérieur du poêle, est extrêmement important que le système d'évacuation soit installé et entretenu correctement. En outre, les portes doivent rester fermées durant le fonctionnement et les joints des portes doivent être correctement entretenus.

## SE FAMILIARISER AVEC LA COMMANDE

### Touches de commande (VOIR FIGURES 17 et 18)

1. **Récepteur infrarouge** - Reçoit les signaux de la télécommande (proposée séparément).
2. **Indicateur de marche** - S'allume lorsque l'interrupteur principal est en marche.
3. **Voyant d'alarme** - S'allume si le poêle ne fonctionne pas correctement.
4. **Touche Marche/Arrêt** - Démarre et arrête le poêle.
5. **Touche Minuterie** - Permet de choisir l'heure de démarrage ou l'heure de mise à l'arrêt de l'appareil.
6. **Touche de transfert de mode** - Permet de régler l'appareil sur l'un des trois modes principaux : manuel, température et hebdomadaire.
7. **Touche Maintien** - En mode hebdomadaire, une pression sur le bouton Maintien après avoir augmenté la température de consigne a pour effet de maintenir cette température jusqu'à une nouvelle pression sur ce bouton ou la mise à l'arrêt du poêle.
8. **Touche de défilement haut** - Permet de faire défiler le menu affiché vers le haut.
9. **Touche Sortie** - Permet de quitter la sélection en cours et de revenir à l'option et/ou écran précédent. Lors de la saisie de données, la touche Sortie a aussi pour effet de supprimer les données saisies.

10. **Touche de défilement bas** - Permet de faire défiler le menu affiché vers le bas.
11. **Touche Entrée** - Permet d'ajuster et de sélectionner des données à l'écran. Une pression de deux secondes sur la touche Entrée renvoie au menu principal, d'où il est possible de changer l'heure, la date, l'affichage de température, le calendrier de marche hebdomadaire (en mode hebdomadaire seulement) et les réglages de tension et du moteur de combustion.
12. **Mode de verrouillage de la commande** - Une pression sur les touches 8 et 10 simultanément permet de verrouiller le clavier de la commande. En mode verrouillé, le poêle ne peut pas être ajusté ni mis en **MARCHE** ou à l'**ARRÊT**. L'activation du verrouillage est indiquée par une petite icône de clé dans le coin supérieur droit de l'affichage de la commande.



Figure 17 : Tableau de commande



Figure 18 : Emplacement du tableau de commande

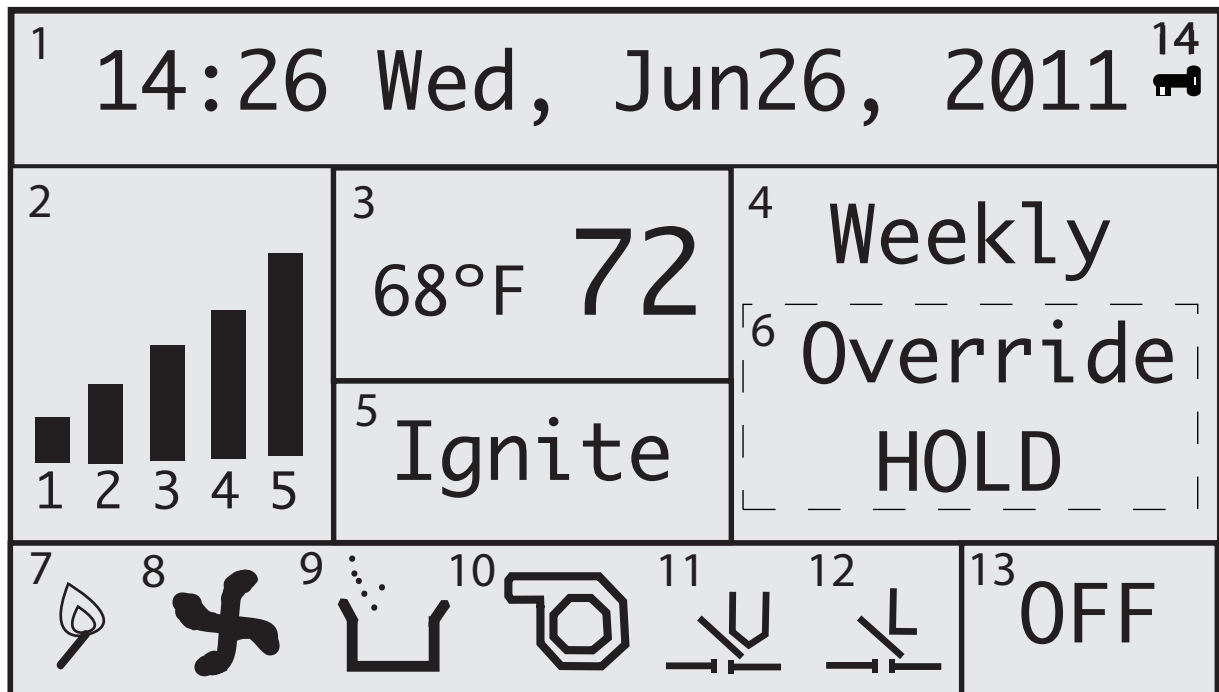
**ÉCRAN D’AFFICHAGE PRINCIPAL DE LA COMMANDE**


Figure 19 : Écran d'affichage principal de la commande

1. **Date et heure** : Affiche l'heure et la date.
2. **Niveau de puissance de chauffage** : Indique le niveau de puissance de chauffage actuel du poêle.
3. **Température ambiante actuelle / température de consigne** : Affiche la température ambiante actuelle et, en mode thermostat, la température de « consigne ».
4. **Mode principal** : Affiche le mode d'exploitation - hebdomadaire, thermostat (température) et manuel.
5. **Phase de marche** : Affiche la phase de fonctionnement dans laquelle se trouve actuellement le poêle (allumage, chauffage en cours, etc.).
6. **Mode de commande supplémentaire** : S'affiche uniquement si le réglage de température hebdomadaire est changé manuellement.
7. **Indicateur d'allumeur** : Indique que le cycle d'allumage/cycle de combustion est en cours d'exécution.
8. **Indicateur de ventilateur de combustion** : Indique que le ventilateur d'air de combustion est en marche.
9. **Indicateur de vis sans fin** : Indique que la vis sans fin d'alimentation en granules est en marche.
10. **Indicateur de soufflante de convection** : Indique que la soufflante de convection est en marche et pour chauffer la pièce.
11. **Indicateur de contacteur à dépression** : Indique qu'il y a une pression négative dans le poêle.
12. **Indicateur d'ouverture du couvercle de trémie (indicateur de limite)** : S'allume pour indiquer que le couvercle de trémie est fermé. Lorsque le couvercle de trémie est ouvert, l'indicateur disparaît.
13. **Indicateur d'état Marche/Arrêt** : Indique si le poêle est en marche (ON) et en mode opérationnel ou s'il est en cours de mise à l'arrêt (OFF).
14. **Mode de verrouillage de commande activé**

**REMARQUE** : *Durant la marche du poêle, les symboles 11 et 12 doivent être affichés sinon l'alimentation en granules ne se fait pas.*

## AVANT UTILISATION

Une fois que la poêle est correctement installé et branché sur une prise à protection contre les surtensions, il est prêt à être utilisé.

### Montage de la commande

Monter la commande et le support de commande sur le dessus et l'arrière du poêle à l'aide de la visserie fournie avec la commande.

**VOIR FIGURE 18.**

### Avant de démarrer

Mettre l'interrupteur d'alimentation principal au dos du poêle en position de marche. **VOIR FIGURE 20A.**

**REMARQUE :** *Si le poêle ne semble pas se mettre en marche, contrôler le fusible qui se trouve directement sous l'interrupteur d'alimentation. VOIR FIGURE 20B. Il y a un fusible de rechange dans le porte-fusible.*

S'assurer que la trémie est propre et exempte de matières étrangères, y compris de poussières et de fines de granules.

Remplir la trémie de granules de bois, en s'assurant qu'AUCUNE partie du sac ou autre objet étranger n'entre dans la trémie car cela peut endommager le système de vis sans fin. **VOIR FIGURE 21.**

S'assurer également qu'il n'y a aucune parcelle de granule sur les surfaces de contact du joint du couvercle de trémie.

Fermer le couvercle. Ce poêle comporte un contacteur de sécurité qui empêche l'alimentation en granules avec le couvercle de trémie ouvert.

Vérifier que la porte vitrée principale est fermée. Le poêle comporte un contacteur de sécurité qui empêche l'alimentation en combustible s'il n'y a pas une dépression de tirage à l'intérieur du poêle.

Avant de démarrer le poêle Castle, il convient de déterminer dans quel mode on souhaite le faire fonctionner. Le Serenity comporte trois modes d'exploitation :

1. **Manuel** : Ce mode permet de fixer et d'ajuster la phase de chauffage pour contrôler le niveau de chaleur.
2. **Commande thermostatique (température)** : Ce mode permet de fixer la température ambiante et le poêle fonctionne automatiquement de telle manière que l'air ambiant soit à cette température.
3. **Hebdomadaire** : Dans ce mode, le poêle fonctionne automatiquement durant les jours et les heures choisis. Il est possible d'avoir un programme différent pour chacun des sept jours de la semaine et quatre périodes différentes durant la journée.

**Le mode doit être sélectionné avant de mettre le poêle en marche.** La sélection d'un mode alors que le poêle brûle peut provoquer sa mise à l'arrêt et imposer une temporisation de 30 minutes avant son redémarrage.

Il n'est pas nécessaire de démarrer le poêle pour sélectionner le mode. Pour choisir le mode, appuyer sur la touche de transfert de mode. Appuyer une fois sur la touche de mode pour sélectionner le thermostat, deux fois pour passer au mode hebdomadaire.



## AVERTISSEMENT

**NE JAMAIS UTILISER DE LIQUIDE INFLAMMABLE TEL QUE DE L'ESSENCE, LE COMBUSTIBLE POUR BRIQUET OU LES GELS ALLUME-BARBECUE À L'INTERIEUR OU AUTOUR DU POÊLE. GARDER DE TELS LIQUIDES BIEN À L'ÉCART DU POÊLE PENDANT QU'IL EST UTILISÉ.**

**NE JAMAIS OUVRIR LES PANNEAUX LATÉRAUX NI LA PORTE PRINCIPALE PENDANT QUE LE POÊLE EST EN MARCHE.**

**NE JAMAIS TOUCHER LES VEROUS DE PORTE ALORS QUE LE POÊLE EST ALLUMÉ, ILS DEVIENNENT EXTRÊMEMENT CHAUDS. NE JAMAIS OUVRIR LA PORTE VITRÉE PENDANT QUE LE POÊLE EST EN MARCHE OU QU'IL EST CHAUD.**

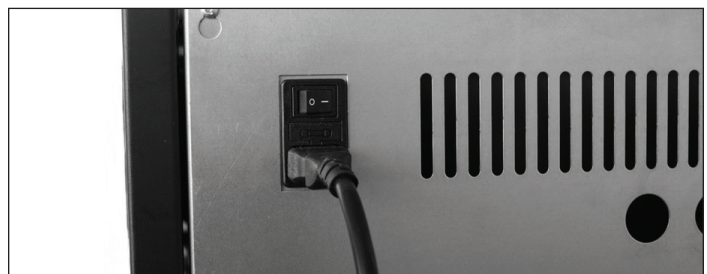


Figure 20a : Interrupteur d'alimentation principal




Figure 20b : Interrupteur d'alimentation principal



Figure 21 : Chargement des granules

## FONCTIONNEMENT

Après avoir choisi le mode de fonctionnement du poêle, appuyer sur la touche de **marche/arrêt**  pour lancer le cycle d'allumage du poêle.

### Démarrage



Lorsque le poêle se met en marche, l'indicateur d'allumage et l'indicateur de ventilateur de combustion s'affichent à l'écran (icônes 7 et 8 à la Figure 19, page 23). Le message **Ignite** (allumage) s'affiche également dans la zone de phase de marche de l'écran. Après quatre secondes environ, l'indicateur de contacteur à dépression s'affiche. Noter également que l'indicateur d'ouverture du couvercle de trémie (indicateur de limite) s'affiche dès lors que le couvercle de la trémie du poêle est hermétiquement fermé.

Le moteur du poêle continue de fonctionner pendant trois minutes, puis l'indicateur de vis sans fin clignote à l'écran pour indiquer que la vis sans fin alimente le poêle en granules. Au bout de trois à cinq minutes d'alimentation en granules par la vis sans fin, un feu devrait démarrer. Une fois que le feu est allumé, la zone de phase de marche à l'écran affiche « Heating room » (chauffage en cours).

### Utilisation des différents modes de fonctionnement :

#### Mode manuel

Le mode manuel est le mode de configuration par défaut lorsqu'aucun autre mode n'a été choisi avant de mettre le poêle en marche. Le mode manuel permet de modifier le niveau de puissance de chauffage, c'est-à-dire d'augmenter ou de diminuer la quantité de chaleur produite par le poêle.

Pour modifier le niveau de puissance en mode manuel, appuyer sur la touche de défilement bas ou défilement haut   du tableau de commande (boutons 8 et 10 à la Figure 17). Chaque pression sur l'une de ces touches augmente ou diminue la puissance de chauffage d'un niveau.

**REMARQUE :** *Ce mode ne permet pas de régler le chauffage directement sur une température donnée. Le mode manuel permet simplement de fixer le niveau de chauffage dégagé par le poêle.*

#### Mode de commande par thermostat/température

Le mode thermostat permet de régler la température de la pièce. Le poêle augmente ou diminue automatiquement la puissance de chauffage produite de façon à maintenir la pièce à la température fixée.

Pour augmenter ou diminuer la température de **consigne**, utiliser la touche de **DÉFILEMENT HAUT** ou de **DÉFILEMENT BAS**. La température ambiante actuelle s'affiche dans la zone de température de l'écran, à côté de la température de **consigne**.

**REMARQUE :** *Le mode thermostat n'éteint le poêle lorsque la température de consigne est atteinte. Le mode thermostat effectue uniquement une régulation entre les réglages haut et bas.*



## AVERTISSEMENT

**NE JAMAIS ÉTEINDRE LE POÊLE EN LE DÉBRANCHANT DE LA PRISE ÉLECTRIQUE.**  
**NE JAMAIS ÉTEINDRE LE POÊLE EN METTANT L'INTERRUPTEUR D'ALIMENTATION PRINCIPAL AU DOS DU POÊLE EN POSITION D'ARRÊT.**  
**NE JAMAIS OUVRIR LES PANNEAUX LATÉRAUX NI LA PORTE PRINCIPALE PENDANT QUE LE POÊLE EST EN MARCHÉ.**  
**NE JAMAIS TOUCHER LES VEROUS DE LA PORTE VITRÉE ET DU CENDRIER DURANT LA MARCHÉ, ILS DEVIENNENT BRÛLANTS.**

Si la température ambiante chute en dessous de la température de **consigne**, l'indicateur de niveau de chauffage du poêle monte automatiquement au niveau 5. Une fois que la température est atteinte, le niveau de puissance de chauffage revient à 1 et y reste jusqu'à ce que plus de chaleur soit nécessaire.

**Remarque :** *En mode thermostat, le poêle ne passe jamais en veille. Il fonctionne simplement au ralenti et continue de brûler jusqu'à ce que l'air ambiant ne soit plus à la température de consigne. En phase de ralenti, le poêle affiche un niveau 1 dans la zone de puissance de chauffage de l'écran.*

#### Mode hebdomadaire

Le mode hebdomadaire permet de contrôler et de programmer la marche du poêle Serenity à des heures et des jours définis durant la semaine. Il est possible de sélectionner quatre périodes de marche différentes pour chacun des sept jours de la semaine.

**IMPORTANT :** *Veiller à bien définir le calendrier hebdomadaire en mode hebdomadaire avant d'allumer le feu. Si on tente de définir le calendrier et le mode hebdomadaire du poêle alors qu'il est en marche en mode manuel ou thermostat, le calendrier hebdomadaire ne se configure pas et l'écran affiche un message demandant d'attendre l'arrêt et le refroidissement du poêle avant de programmer le calendrier.*

#### Pour configurer le calendrier hebdomadaire :

1. Tenir la touche **ENTRÉE**  enfoncée jusqu'à ce que le menu « **SET DATA** » (configuration de données) s'affiche à l'écran. Utiliser la touche de **DÉFILEMENT BAS** pour sélectionner « **SET WEEKLY** » (réglage hebdomadaire). Appuyer sur **ENTRÉE**. L'écran de configuration du **calendrier hebdomadaire** s'affiche. **VOIR FIGURE 22.**

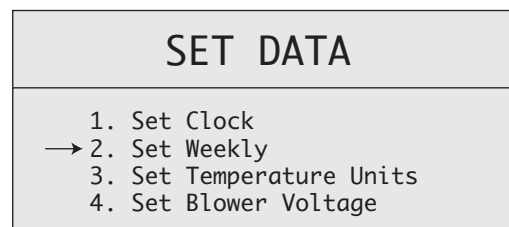


Figure 22 : Menu Set Data

# Poêle à granules Serenity

2. Dans l'écran du **CALENDRIER HEBDOMADAIRE**, le cas échéant, régler les heures de marche du dimanche (« Sun. »). Appuyer sur **ENTRÉE** pour mettre les heures en surbrillance puis utiliser les touches de **DÉFILEMENT HAUT** et **DÉFILEMENT BAS** pour atteindre l'heure de démarrage souhaitée. Appuyer de nouveau sur **ENTRÉE** pour mettre les minutes en surbrillance puis utiliser les touches de **DÉFILEMENT HAUT** et **DÉFILEMENT BAS** pour régler les minutes sur la valeur de démarrage souhaitée. **VOIR FIGURE 23.**

**REMARQUE :** La commande Serenity utilise un affichage sur 24 heures pour la configuration du calendrier hebdomadaire.

3. Appuyer une nouvelle fois sur **ENTRÉE** pour régler l'heure d'arrêt du poêle. Suivre la même procédure que pour le réglage de l'heure de démarrage du poêle. Une fois que l'heure d'arrêt est sélectionnée, appuyer sur **ENTRÉE**.
4. La commande passe ensuite au réglage de la température souhaitée. Appuyer sur la touche de **DÉFILEMENT HAUT** ou **DÉFILEMENT BAS** jusqu'à atteindre la température souhaitée pour la période de marche sélectionnée. Appuyer sur **ENTRÉE**.
5. « Yes » est à présent en surbrillance. Si la période considérée est correctement configurée, appuyer sur **ENTRÉE**. La commande sort alors de la première période de chauffage configurée. Pour effacer une période programmée, utiliser la touche **ENTRÉE** pour mettre « Yes » en surbrillance pour la période considérée. Sélectionner « No » à l'aide de la touche de **DÉFILEMENT HAUT** ou de **DÉFILEMENT BAS**. Lorsque « No » est en surbrillance, appuyer sur **ENTRÉE** pour effacer les données.
6. Pour configurer une autre période pour le jour considéré, appuyer sur la touche **DÉFILEMENT BAS** et répéter les étapes 2 à 5 comme il se doit.

**REMARQUE :** Les périodes doivent être configurées dans l'ordre chronologique. La première période programmée d'une journée doit IMPÉRATIVEMENT être antérieure à la deuxième période programmée sur le calendrier hebdomadaire et ainsi de suite.

7. Une fois que toutes les périodes du dimanche sont configurées, appuyer sur **DÉFILEMENT BAS** jusqu'à « Next » (suivant). Appuyer une fois sur **ENTRÉE** pour mettre « Next » en surbrillance. Appuyer de nouveau sur **ENTRÉE** pour passer au jour suivant. Poursuivre la configuration du calendrier pour le reste de la semaine conformément aux instructions précédentes.

SET WEEKLY				
Sun. Weekly Set				
1:	1:15~ 7:00	67°F	Yes	
→ 2:	17:00~23:45	72°F	Yes	
3:	--:--~--:--	--°F	No	
4:	--:--~--:--	--°F	No	
5:	--:--~--:--	--°F	No	
Next	All			

**REMARQUE :** En plus de l'option « Next », l'écran comporte une option « All » (tous). Après avoir défini une période particulière pour un jour donnée, cette période peut être associée à chaque jour de la semaine. Pour cela, faire défiler vers le bas jusqu'à « Next » et appuyer sur **ENTRÉE**. Appuyer sur la touche de **DÉFILEMENT BAS** pour mettre « All » en surbrillance. Appuyer ensuite sur **ENTRÉE** pour que la période programmée soit sélectionnée et appliquée à chaque jour de la semaine.

**ASTUCE :** Pour quitter l'écran du calendrier hebdomadaire à un moment quelconque ou une fois que sa configuration est terminée, cliquer sur la touche **SORTIE** pour revenir au menu précédent.

8. Une fois que la configuration du calendrier est terminée, s'assurer qu'aucune option n'est en surbrillance et appuyer sur la touche **SORTIE**. Cela enregistre le calendrier.
9. Lorsqu'un calendrier est configuré, vérifier que l'écran principal de la commande affiche « Weekly » (pour la marche en mode hebdomadaire) et que l'appareil est en marche. Le calendrier ne prend effet que si le poêle est en marche en mode hebdomadaire (voir repère 13 à la Figure 19).

## Configuration des autres données sur la commande

### Réglage de l'heure et de la date

1. Tenir la touche **ENTRÉE** enfoncée. Le menu « SET DATA » (configuration de données) s'affiche à l'écran.
2. Appuyer une nouvelle fois sur **ENTRÉE** pour accéder au menu « SET CLOCK » (réglage de l'horloge). **VOIR FIGURE 24.**
3. Pour modifier l'heure, appuyer sur **ENTRÉE**. Les chiffres des heures sont en surbrillance. Utiliser les touches de **DÉFILEMENT HAUT** et de **DÉFILEMENT BAS** pour régler l'heure correcte. Appuyer sur **ENTRÉE** pour valider les heures puis appuyer une deuxième fois sur **ENTRÉE** pour régler les minutes.
4. Poursuivre ce processus pour sélectionner et régler le jour, le mois, la date et l'année.
5. Lorsque le réglage est terminé et que rien n'est en surbrillance à l'écran, appuyer sur la touche **SORTIE**.

SET CLOCK
10:45 Fri. May 20, 2011

Figure 24

Figure 23

## Choix de l'unité de température

1. Tenir la touche **ENTRÉE** enfoncée. Le menu « **SET DATA** » (configuration de données) s'affiche à l'écran.
2. À l'aide de la touche de **DÉFILEMENT BAS**, descendre jusqu'à l'option 3 : « **Set Temperature Units** » (définir l'unité de température). Appuyer de nouveau sur **ENTRÉE** pour accéder au menu « **Set Temperature Units** ». **VOIR FIGURE 25.**
3. Dans le menu « **Set Temperature Units** », appuyer sur la touche **ENTRÉE** pour mettre les unités en surbrillance. Utiliser les touches de **DÉFILEMENT HAUT** et **DÉFILEMENT BAS** pour choisir Celsius (« C° ») ou Fahrenheit (« F° »).
4. Pour finir, appuyer sur **ENTRÉE**. Vérifier que rien n'est en surbrillance à l'écran et appuyer sur la touche **SORTIE**.

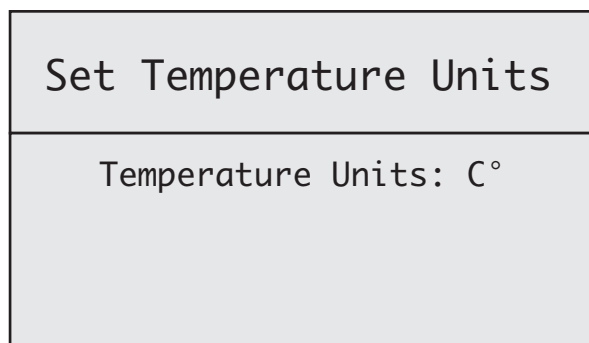


Figure 25

## Réglage de la tension du ventilateur

La tension du ventilateur (qui contrôle le ventilateur d'air ambiant) peut être augmentée ou diminuée pour chaque niveau de puissance afin de réguler la quantité de chaleur refoulée dans une pièce durant la marche du poêle. Certains combustibles rayonnent mieux la chaleur que d'autres. Il est possible d'accélérer ou de ralentir le ventilateur d'air ambiant afin d'extraire la quantité optimale de chaleur sans souffler d'air froid.

L'augmentation de la tension du ventilateur fait tourner le moteur de convection à plus haut régime, ce qui extrait plus de chaleur de l'appareil.

**REMARQUE : En cas de problème de surchauffe du poêle à tout niveau de puissance, augmenter la tension du ventilateur.**

La réduction de la tension du ventilateur permet de ralentir l'échange de chaleur au niveau du poêle afin qu'il souffle moins d'air froid.

## Pour régler la tension du ventilateur :

1. Tenir la touche **ENTRÉE** enfoncée. Le menu « **SET DATA** » (configuration de données) s'affiche à l'écran.
2. À l'aide de la touche de **DÉFILEMENT BAS**, descendre jusqu'à l'option 4 : « **Set Blower Voltage** » (réglage de la tension du ventilateur). Appuyer de nouveau sur **ENTRÉE** pour accéder au menu « **Set Blower Voltage** ». **VOIR FIGURE 26.**
3. À l'aide des touches de défilement haut ou bas, sélectionner le « Stall » (niveau de puissance de chauffage) dont la tension doit être changée puis appuyer sur **ENTRÉE**. La valeur de tension est automatiquement mise en surbrillance.
4. À l'aide des touches de **DÉFILEMENT HAUT** ou de **DÉFILEMENT BAS**, sélectionner la tension qui convient.

**REMARQUE : La tension peut être diminuée ou augmentée uniquement par intervalles de 5 V.**

5. Appuyer sur **ENTRÉE** pour valider les modifications. Répéter les étapes 2 à 4 pour les autres niveaux de puissance le cas échéant.

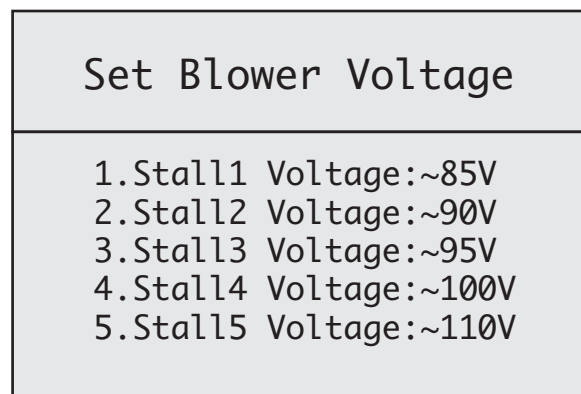


Figure 26

## Réglage de la tension d'évacuation

### REMARQUE IMPORTANTE :

**AJUSTER LE VOLET DE DÉBIT D'AIR AVANT D'AUGMENTER LA TENSION D'ÉVACUATION. En cas de tirage d'air insuffisant, essayer D'ABORD d'ajuster le volet de débit d'air. VOIR FIGURE 27. Cela modifie également le débit d'air entrant dans le poêle.**

La tension d'évacuation (qui contrôle le moteur de combustion) permet de régler le poêle en fonction du combustible brûlé ou pour compenser une insuffisance de ventilation. Dans les situations où le tirage est moins qu'optimal, il est possible d'augmenter la vitesse d'évacuation pour accroître la circulation d'air à travers le poêle si le tirage pose problème.

### REMARQUE IMPORTANTE :

**La modification de la tension d'évacuation ne change PAS le taux d'alimentation. Par conséquent, aux niveaux de puissance de chauffage élevée où le taux d'alimentation est plus rapide, un bas niveau de tension ne produit pas un refoulement d'air suffisant et le poêle peut surchauffer et les granules s'accumuler dans la boîte à feu. La réduction de tension d'évacuation accroît la quantité de chaleur dégagée dans la pièce. Ne pas régler la tension d'évacuation trop bas, car cela peut provoquer l'accumulation de granules dans la boîte à feu.**

L'augmentation de la tension d'évacuation, et par conséquent l'augmentation de la quantité d'air dans la boîte à feu, facilite également la combustion des granules de qualité inférieure pour éviter leur accumulation indésirable.

**REMARQUE : Veiller à contrôler visuellement le taux de combustion si la tension de combustion est diminuée, afin de ne pas provoquer de surcharge de la boîte à feu. La tension d'évacuation doit UNIQUEMENT être ajustée pour obtenir un rendement optimal du combustible brûlé.**

### Pour régler la tension d'évacuation :

1. Tenir la touche **ENTRÉE** enfoncée. Le menu « **SET DATA** » (configuration de données) s'affiche à l'écran.
2. À l'aide de la touche de **DÉFILEMENT BAS**, aller à l'option 4 : « **Set Exhaust Voltage** » (réglage de la tension d'évacuation). Appuyer de nouveau sur **ENTRÉE** pour accéder au menu « **Set Exhaust Voltage** ». **VOIR FIGURE 28.**
3. À l'aide des touches de défilement haut ou bas, sélectionner le « Stall » (niveau de chauffage) dont la tension doit être changée puis appuyer sur **ENTRÉE**. La valeur de tension est automatiquement mise en surbrillance.

4. À l'aide des touches de **DÉFILEMENT HAUT** ou de **DÉFILEMENT BAS**, sélectionner la tension qui convient.

**REMARQUE : La tension peut uniquement être diminuée ou augmentée par intervalles de 5 V.**

5. Appuyer sur **ENTRÉE** pour valider les modifications. Répéter les étapes 2 à 4 pour les autres niveaux de puissance le cas échéant.



Figure 27

Set Exhaust Voltage	
1. Stall1	Voltage: ~85V
2. Stall2	Voltage: ~90V
3. Stall3	Voltage: ~95V
4. Stall4	Voltage: ~100V
5. Stall5	Voltage: ~110V

Figure 28



## DIAGNOSTIC

La commande du poêle Castle est équipée d'une option de diagnostic embarquée qui permet de contrôler certains éléments du poêle.



### AVERTISSEMENT

**NE JAMAIS FAIRE FONCTIONNER LE POÊLE EN MODE DIAGNOSTIC. LE MODE DIAGNOSTIC S'UTILISE POUR CONTRÔLER ET CONFIRMER LE FONCTIONNEMENT DES COMPOSANTS INDIVIDUELS UNIQUEMENT. L'UTILISATION DU POÊLE EN MODE DIAGNOSTIC CRÉE DES CONDITIONS DANGEREUSES ET PEUT PROVOQUER DES BLESSURES CORPORELLES ET DES DOMMAGES AU MATÉRIEL.**

**REMARQUE : L'écran de diagnostic est accessible uniquement lorsque le poêle est à l'arrêt.**

Pour accéder à l'écran de diagnostic :

1. Tenir la touche **ENTRÉE** enfoncée. Le menu « **SET DATA** » (configuration de données) s'affiche à l'écran.
2. À l'aide de la touche de **DÉFILEMENT BAS**, aller à l'option 6 : « **DIAGNOSTICS** ». Appuyer sur **ENTRÉE**. Le menu « **DIAGNOSTICS** » s'affiche à l'écran. **VOIR FIGURE 29.**

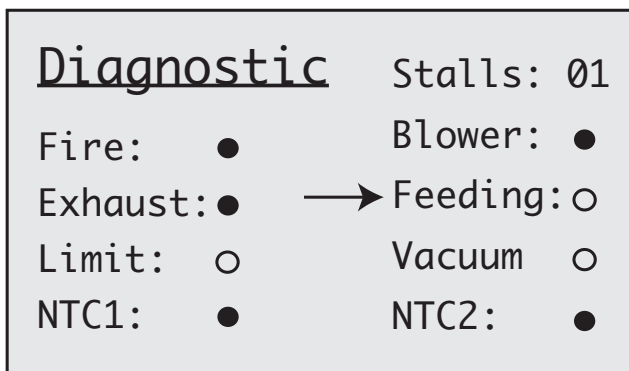


Figure 29

Si un élément fonctionne correctement, le cercle correspondant est noirci (plein).

- Stalls :** (niveaux de chauffage) Changer la valeur « Stalls » pour tester les éléments aux différents niveaux de puissance de chauffage.
- Fire :** (feu) Indique si l'allumeur fonctionne correctement.
- Exhaust :** (évacuation) Indique si le moteur de combustion et le système d'évacuation fonctionnent correctement.

- Limit :** (limite) Indique si le couvercle de la trémie est correctement fermé.
- Blower :** (soufflante) Indique si le ventilateur d'air ambiant fonctionne correctement.
- Feeding :** (alimentation) Indique si la vis sans fin assure une alimentation correcte en granules.
- Vacuum :** (dépression) Indique s'il y a une dépression et une aspiration suffisantes.
- NTC1 :** Indique si le détecteur de flamme fonctionne correctement.
- NTC2 :** Indique si la température est mesurée par le capteur de surchauffe.  
*(La température est en Celsius)*

### Rétablissement des paramètres par défaut


Dans le mode de diagnostic, il est possible de tester certains éléments du poêle pour voir s'ils fonctionnent correctement. Utiliser la touche **ENTRÉE** pour mettre « **Fire** », « **Exhaust** », « **Blower** » ou « **Feeder** » en surbrillance. Lorsqu'une de ces options est en surbrillance, utiliser la touches de **DÉFILEMENT HAUT** ou de **DÉFILEMENT BAS** pour noircir ou non le cercle correspondant. Cela active manuellement l'élément considéré pour voir s'il fonctionne correctement.

S'il est nécessaire de ramener les paramètres de commande du poêle (niveaux de tension du ventilateur ou calendrier hebdomadaire, par ex.) à leur état d'origine, le poêle offre la possibilité de rétablir les paramètres par défaut.

Pour rétablir les paramètres par défaut :

1. Tenir la touche **ENTRÉE** enfoncée pour accéder à l'écran « **SET DATA** » (configuration de données).
2. À l'aide de la touche de **DÉFILEMENT BAS**, descendre jusqu'à l'option 7, « **Restore Default Settings** » (rétablir les paramètres par défaut).
3. L'écran « **Restore Default Settings** » offre les options « **Yes** » et « **No** ». Si on ne souhaite pas rétablir les paramètres d'origine, défiler vers le bas et appuyer sur **ENTRÉE**. Pour procéder au rétablissement des paramètres par défaut, sélectionner « **Yes** » et appuyer sur **ENTRÉE**.
4. L'écran principal s'affiche alors et les paramètres ont été changés.

### MISE À L'ARRÊT

Appuyer sur le bouton  du tableau de commande pour passer en mode de mise à l'arrêt. L'indicateur de Marche/Arrêt à l'écran affiche « **OFF** » (arrêt). La vis sans fin d'alimentation s'arrête mais la soufflante de distribution d'air ambiant et le ventilateur d'évacuation continuent de tourner. Une fois que le poêle a refroidi, l'éclairage de l'écran s'éteint.

La durée de mise à l'arrêt peut varier.

## ENTRETIEN

### Soins et entretien courants

Les intervalles de nettoyage du poêle peuvent varier en raison des différences entre combustibles. Plus le poêle est propre et plus il brûle efficacement.

### Nettoyage de la boîte à feu

Sortir et nettoyer la boîte à feu chaque jour. Vérifier qu'aucun trou de la boîte à feu n'est obstrué. Nettoyer ces trous avec une petite pointe métallique ou un foret. **VOIR FIGURE 30.**

### Résidus de la boîte à feu

La boîte à feu doit être vidée chaque fois que la trémie est remplie de combustible. Pour vider la boîte à feu, la soulever hors du porte-boîte et la vider directement dans le cendrier. Veiller à éliminer tout dépôt et s'assurer que les trous sont propres.

### Nettoyage de la vitre

Nettoyer la vitre seulement quand le verre est froid. Essuyer fréquemment la vitre. Essuyer la vitre avec un chiffon sec ou humide. Si cela ne nettoie pas la vitre, utiliser tout produit nettoyant non abrasif. Un produit nettoyant pour cuisinière en céramique peut s'avérer utile pour nettoyer la suie de la vitre. Contrôler régulièrement les joints sur le pourtour de la vitre. Changer tout joint usé, effiloché ou écrasé. Remplacer une vitre brisée uniquement par une vitre céramique haute température, disponible auprès de Castle Pellet Stoves. **VOIR FIGURE 31.**

### Chambre intérieure

Nettoyer la chambre intérieure avec un aspirateur à cendres. Les aspirateurs à cendres sont conçus spécialement pour contenir la suie et ont un extérieur métallique. Effectuer cette opération chaque semaine.

## AVERTISSEMENT

**LES SURFACES CHAUDES PEUVENT PROVOQUER DES BRÛLURES. NE JAMAIS EFFECTUER DE NETTOYAGE OU D'ENTRETIEN SUR UN POÊLE CHAUD. LAISSER L'APPAREIL REFROIDIR PENDANT UN MINIMUM DE DEUX HEURES. NE JAMAIS EFFECTUER D'ENTRETIEN ALORS QUE L'APPAREIL EST SOUS TENSION. CELA PRÉSENTE UN RISQUE DE BLESSURE CORPORELLE OU DE DOMMAGE MATÉRIEL.**

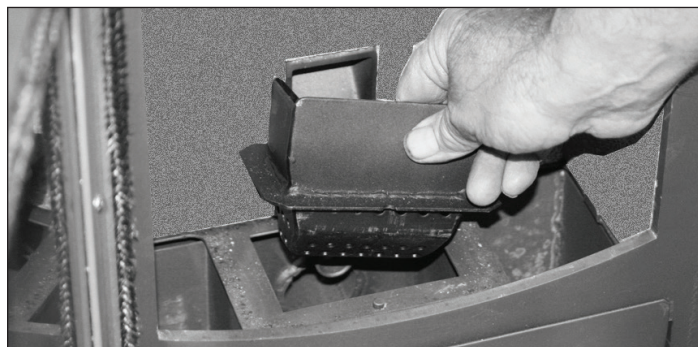


Figure 30 : Nettoyage de la boîte à feu

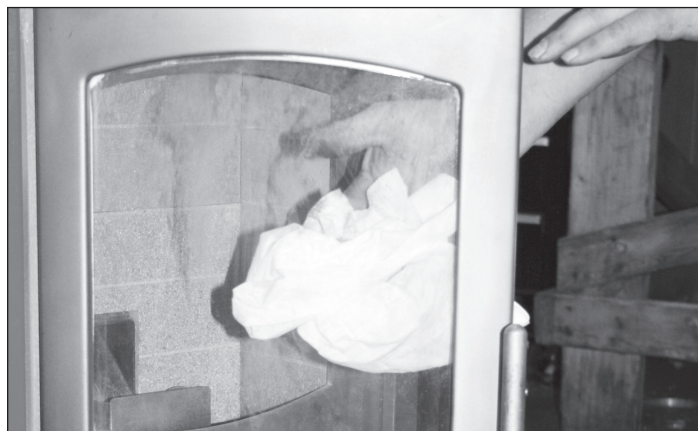


Figure 31 : Essuyer la vitre et contrôler le joint

## Entretien quotidien

Les surfaces du poêle peuvent être chaudes. Toujours porter un gant protecteur, même si le poêle est froid au toucher. Veiller à éteindre le poêle et le laisser refroidir pendant une heure avant d'effectuer toute tâche d'entretien ou de réparation.

Vider les cendres de la boîte à feu. Soulever la boîte à feu hors du porte-boîte et la vider directement dans le cendrier. **VOIR FIGURE 32.**

Éliminer tous les dépôts et s'assurer que tous les trous sont propres.

Vider le cendrier dans un récipient métallique à couvercle hermétique. Le récipient à cendres fermé doit être placé sur un plancher non combustible ou sur le sol, bien à l'écart de tout matériau combustible. Le vidage des cendres dépend de la quantité de combustible brûlé. Il peut être nécessaire une à deux fois par semaine. **VOIR FIGURE 33.**

## Entretien hebdomadaire

### Dépose du cendrier

1. Éteindre le poêle et le laisser refroidir pendant une heure avant de le nettoyer.
2. Ouvrir la porte frontale. À l'aide d'une brosse de nettoyage, faire tomber tout dépôt de cendres sur le déflecteur de cendres dans le cendrier en dessous.
3. Soulever le déflecteur de cendres et l'accrocher à la broche de retenue située sur l'intérieur de la paroi arrière. Faire cela sur les côtés gauche et droit du cendrier. **VOIR FIGURE 33.** Cela permet de retirer le cendrier sans difficulté.
4. Pour sortir le cendrier, le soulever verticalement puis hors de la porte frontale. **VOIR FIGURE 34.**

### Élimination des cendres

Vider régulièrement le cendrier. Les cendres doivent être contenues dans un récipient métallique à couvercle hermétique. Le récipient à cendres fermé doit être placé sur un plancher non combustible ou sur le sol, bien à l'écart de tout matériau combustible. Si les cendres sont éliminées par enfouissement ou dispersées localement, elles doivent rester dans le récipient fermé jusqu'à ce que toutes les braises aient refroidi.

### Suie et cendres volantes

Les produits de combustion contiennent des fines particules de cendres volantes. La cendre volante s'accumule dans le système d'évacuation et restreint l'écoulement des gaz brûlés. Une combustion incomplète, notamment durant le démarrage, la mise à l'arrêt ou un mauvais fonctionnement du poêle, entraîne la formation de suie, qui s'accumule alors dans le système d'évacuation. Le système d'évacuation doit être contrôlé au moins une fois par mois pour déterminer si un nettoyage est nécessaire. Si le nettoyage est nécessaire, démonter le système d'évacuation et nettoyer les pièces individuelles. **Pour nettoyer les cendres, utiliser un aspirateur à cendres homologué. Pour plus de détails, s'adresser à un revendeur.**

Contrôler les tés de nettoyage régulièrement pour déterminer l'intervalle de nettoyage requis. Utiliser une brosse de ramonage de 3 ou 4 pouces pour nettoyer le conduit d'évacuation. Un conduit obstrué influe sur la qualité du feu. Veiller à nettoyer tous les tamis éventuels dans l'arrivée d'air. Un tamis obstrué coupe l'arrivée d'air de combustion et provoque une mauvaise combustion ou l'extinction du feu.

## ⚠ AVERTISSEMENT

**LES SURFACES CHAUDES PEUVENT PROVOQUER DES BRÛLURES. NE JAMAIS EFFECTUER DE NETTOYAGE OU D'ENTRETIEN SUR UN POÊLE CHAUD. LAISSER L'APPAREIL REFRROIDIR PENDANT UN MINIMUM DE DEUX HEURES. NE JAMAIS EFFECTUER D'ENTRETIEN ALORS QUE L'APPAREIL EST SOUS TENSION. CELA PRÉSENTE UN RISQUE DE BLESSURE CORPORELLE OU DE DOMMAGE MATÉRIEL.**

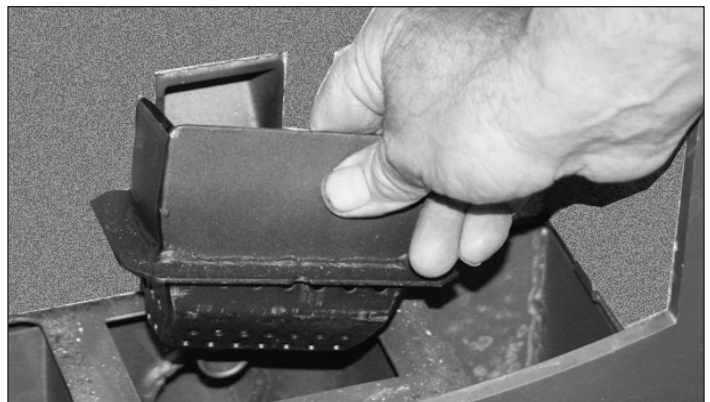


Figure 32 : Vider la boîte à feu



Figure 33 : Vidage du cendrier



Figure 34 : Vider le cendrier.

En plus des tâches d'entretien quotidien, nettoyer l'intérieur de la boîte à feu avec un aspirateur à cendres.

Sortir la boîte à feu du porte-boîte et passer l'aspirateur en dessous. Veille à bien éliminer toutes les cendres de l'entrée du tube d'allumeur. **VOIR FIGURE 34.**

## Entretien mensuel

Le système d'évacuation doit être contrôlé au moins une fois par mois pour déterminer si un nettoyage est nécessaire.

## Tous les ans / tous les deux ans

Démonter et nettoyer le système d'évacuation.  
Déposer et nettoyer le moteur de combustion, son logement et le rotor. **Pour déposer le moteur de combustion, il est nécessaire de déposer le panneau latéral du poêle.** Pour déposer le panneau :

Retirer quatre vis, deux en haut et deux en bas du panneau. **VOIR FIGURE 35.**

Faire pivoter le panneau arrière vers l'extérieur et pousser l'avant du panneau vers l'intérieur pour le dégager et l'enlever.

Une fois que le panneau latéral est déposé, il est possible de déposer et de nettoyer le moteur de combustion, son logement et le rotor. **VOIR FIGURE 36.**



Figure 34 : Éliminer les cendres de tube d'allumeur (sous la boîte à feu)

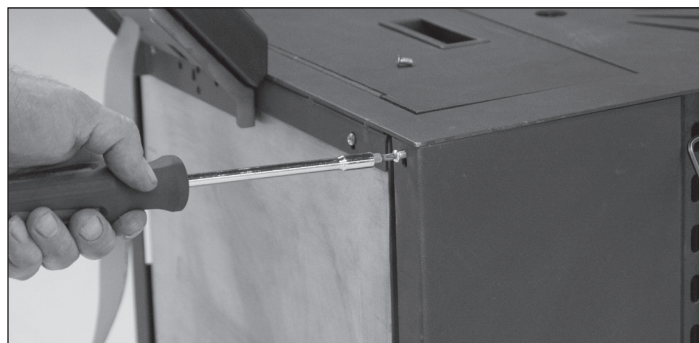


Figure 35 : Retirer les (2) vis de l'arrière du panneau latéral, en haut et en bas du panneau. Retirer les (2) vis de la face avant du panneau latéral, en haut et en bas du panneau.

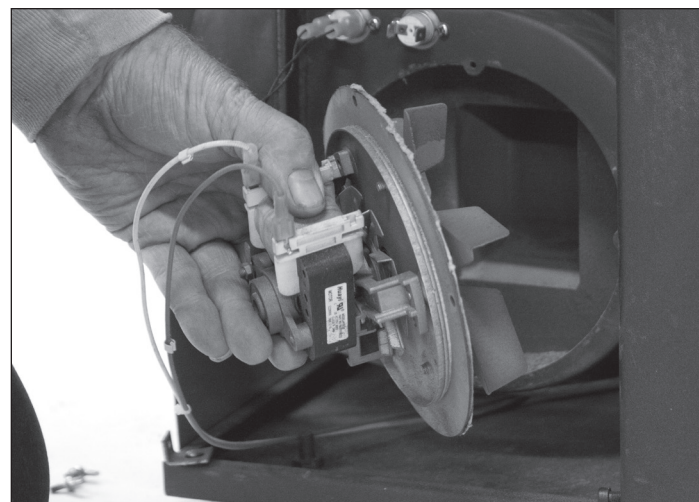


Figure 36 : Déposer le moteur de combustion et le nettoyer

## DÉPANNAGE ET RÉPARATION

Chez Ardisam, nous intégrons la qualité et la durabilité dans la conception de nos produits; mais toute la conception soignée et tout l'entretien attentionné ne sauraient garantir une existence totalement exempte de réparation du poêle. La majorité des problèmes sont mineurs et aisément résolus en suivant les indications du guide de dépannage dans cette section.

Ce guide aide à diagnostiquer les causes des problèmes les plus courants et à identifier leurs solutions.

Pour les réparations plus compliquées, il est préférable de s'adresser au revendeur, à un centre de réparation agréé ou à Castle Pellet Stoves. La présente section comporte un catalogue de pièces détachées.

Nous sommes toujours heureux de répondre à toute question ou d'aider à trouver l'assistance qui convient. Pour commander des pièces ou se renseigner au sujet de la garantie, veuillez nous contacter par téléphone ou par courriel comme indiqué ci-dessous.

## COMMANDE DE PIÈCES DE RECHANGE

Les pièces peuvent s'obtenir dans le magasin où le poêle a été acheté ou directement auprès de l'usine. Pour commander des pièces auprès de l'usine, appeler ou envoyer un courriel à :

Ardisam Inc.  
**1-800-345-6007 • 1-715-822-2415**  
Courriel : [info@castlestoves.com](mailto:info@castlestoves.com)

Veiller à joindre les renseignements suivants à la commande :

1. Numéro de modèle et numéro de série
2. Description des pièces
3. Quantité
4. Référence des pièces



### AVERTISSEMENT

**LORS DE TOUTE OPÉRATION D'ENTRETIEN INTERNE.**

**NE PAS UTILISER LE POÊLE AVEC DES PANNEAUX OUVERTS OU ENLEVÉS. LES PIÈCES EN MOUVEMENT À L'INTÉRIEUR PEUVENT CAUSER DES BLESSURES.**

**UTILISER LA PROTECTION PERSONNELLE QUI CONVIENT, LES PIÈCES SONT CHAUDES. NE PAS FAIRE FONCTIONNER L'APPAREIL AVEC UN PANNEAU OUVERT.**

**DÉBRANCHER L'ALIMENTATION AVANT TOUT ENTRETIEN DE L'APPAREIL. RISQUE DE CHOC ÉLECTRIQUE.**

**UTILISER EXCLUSIVEMENT DES PIÈCES DE RECHANGE D'ORIGINE.**



### ATTENTION

**CECI EST UNE EXIGENCE MINIMALE POUR L'ÉLIMINATION DE LA SUIE ET DES CENDRES VOLANTES. LES CENDRES DOIVENT ÊTRE PLACÉES DANS UN RÉCIPIENT MÉTALLIQUE À COUVERCLE HERMÉTIQUE. LE RÉCIPIENT DOIT ÊTRE PLACÉ SUR UN PLANCHER NON COMBUSTIBLE, TRÈS À L'ÉCART DE MATÉRIAUX COMBUSTIBLES, EN ATTENDANT L'ÉLIMINATION FINALE. SI LES CENDRES SONT ÉLIMINÉES PAR ENFOUISSEMENT OU DISPERSÉES LOCALEMENT, ELLES DOIVENT ÊTRE CONSERVÉES DANS LE RÉCIPIENT FERMÉ JUSQU'À CE QUE TOUTES LES BRAISES AIENT BIEN REFROIDI.**

**NE PAS FAIRE FONCTIONNER LE POÊLE AVEC LA VITRE BRISÉE.**

**NE PAS CLAQUER LA PORTER EN LA FERMANT.**

**NE PAS HEURTER LA VITRE.**

**NE PAS UTILISER DE PRODUIT NETTOYANT ABRASIF.**

**NE PAS NETTOYER LA VITRE CHAUDE.**

**REMPLENER LA VITRE CÉRAMIQUE UNIQUEMENT PAR UNE PIÈCE DE RECHANGE AUTORISÉE.**

**LES SCORIES RESTENT CHAUDES PENDANT PLUSIEURS MINUTES APRÈS QU'ELLES SONT RETIRÉES DE LA BOÎTE À FEU.**

## GUIDE DE DÉPANNAGE

**⚠ AVERTISSEMENT**

**DÉBRANCHER LE POÊLE ET LE LAISSER REFROIDIR AVANT TOUTE OPÉRATION D'ENTRETIEN. LES PIÈCES CHAUDES PEUVENT PROVOQUER DES BRÛLURES.**

**NE JAMAIS TESTER NI CONTRÔLER DES COMPOSANTS ÉLECTRIQUES ALORS QUE LE POÊLE EST BRANCHÉ SUR L'ALIMENTATION ÉLECTRIQUE. CELA PRÉSENTE UN RISQUE DE CHOC ÉLECTRIQUE.**

**⚠ AVERTISSEMENT**

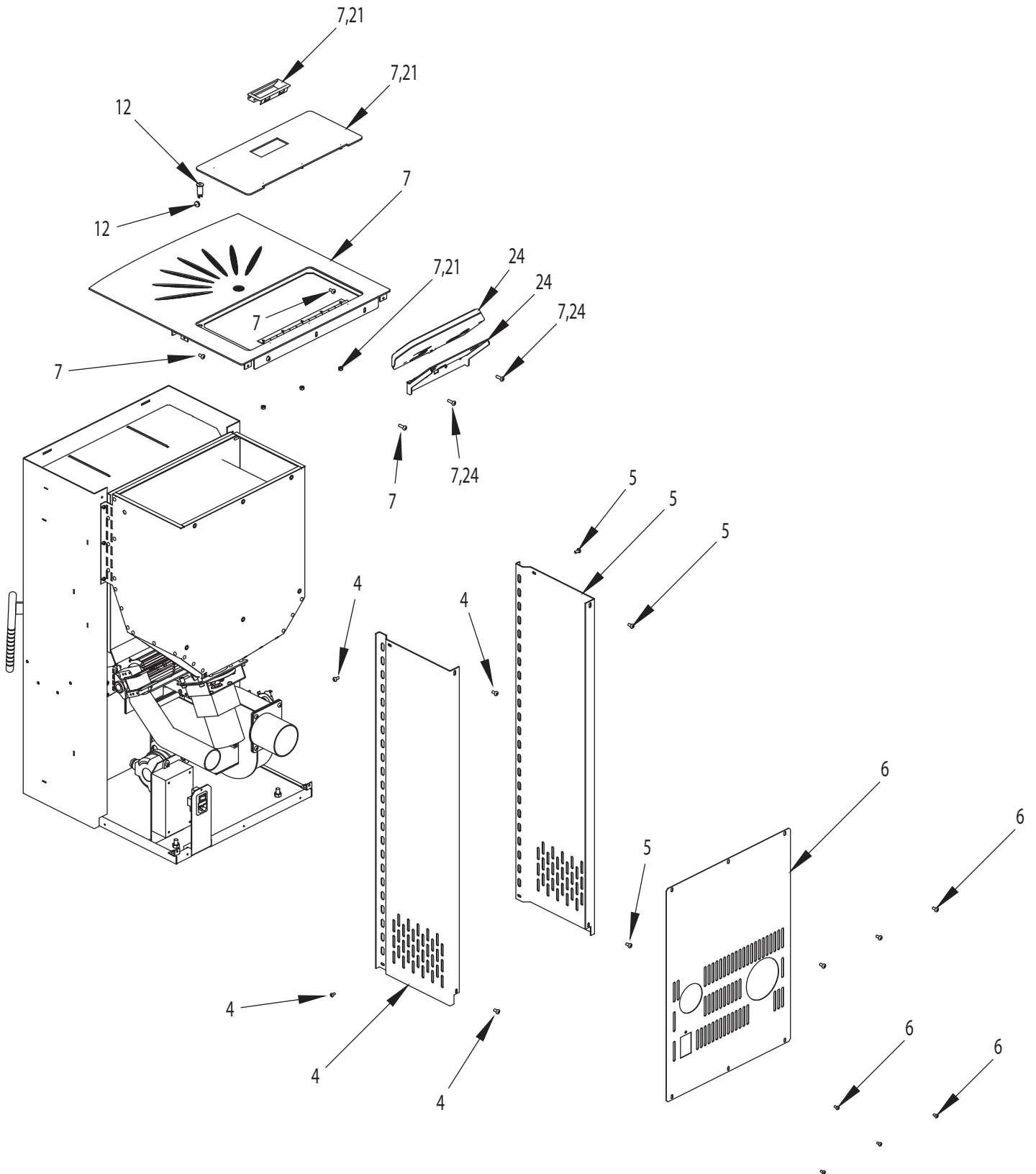
**NE JAMAIS TOUCHER NI EFFECTUER L'ENTRETIEN DE LA VIS SANS FIN ALORS QUE LE POÊLE EST BRANCHÉ.**

**L'EXISTENCE D'UNE DÉPRESSION DANS LA MAISON EST UNE QUESTION IMPORTANTE. SI CELA POSE UN PROBLÈME, LE POÊLE DOIT ÊTRE INSTALLÉ AVEC UN NÉCESSAIRE AIR FRAIS (NON FOURNI).**

PROBLÈME	CAUSE	SOLUTION
Le voyant de panne s'allume	Le feu s'éteint	La commande indique un épuisement de combustible, contrôler la boîte à feu. Ajouter du combustible dans la trémie.  Si la trémie est pleine, rallumer le poêle s'il continue de fournir ce signal. Accéder ensuite au mode de diagnostic de la commande. Le cercle à côté de « NTC1 » doit être noirci. Si ce n'est pas le cas, changer le détecteur de flamme 52C. Contrôler les fils queue de cochon, changer les cosses le cas échéant.
PROBLÈME	CAUSE	SOLUTION
Le voyant de panne est allumé	Surchauffe	Le ventilateur d'air ambiant peut être testé en mettre le cercle à côté de « Blower » à l'état noirci. Laissez le poêle refroidir puis le redémarrer.  Vérifier que conduit d'évacuation n'est pas obstrué.  Augmenter la tension du ventilateur, depuis le tableau de commande, dans chaque niveau de chauffage (Stall).
PROBLÈME	CAUSE	SOLUTION
Pas d'alimentation en combustible, aucun signal de dépression sur la commande	Porte principale ou cendrier pas fermé hermétiquement  Pas de dépression dans la chambre de combustion  Les tuyaux ou le poêle sont bouchés par les cendres  Défaillance du moteur de combustion	Le capteur de pression coupe la vis sans fin en l'absence de dépression dans la chambre de combustion.  Contrôler les joints de la porte. Contrôler les joints de la vitre.  Nettoyer l'évacuation et le poêle.  Vérifier que le moteur de combustion fonctionne.  Accéder au mode de diagnostic de la commande et noircir le cercle à côté de « Feeding »; cela devrait activer la vis sans fin et l'alimentation en granules. Noircir ensuite le cercle d'« Exhaust ». Le moteur d'évacuation doit se mettre en marche et, dans les 20 secondes, le signal de dépression (Vacuum) doit aussi s'afficher en noirci.

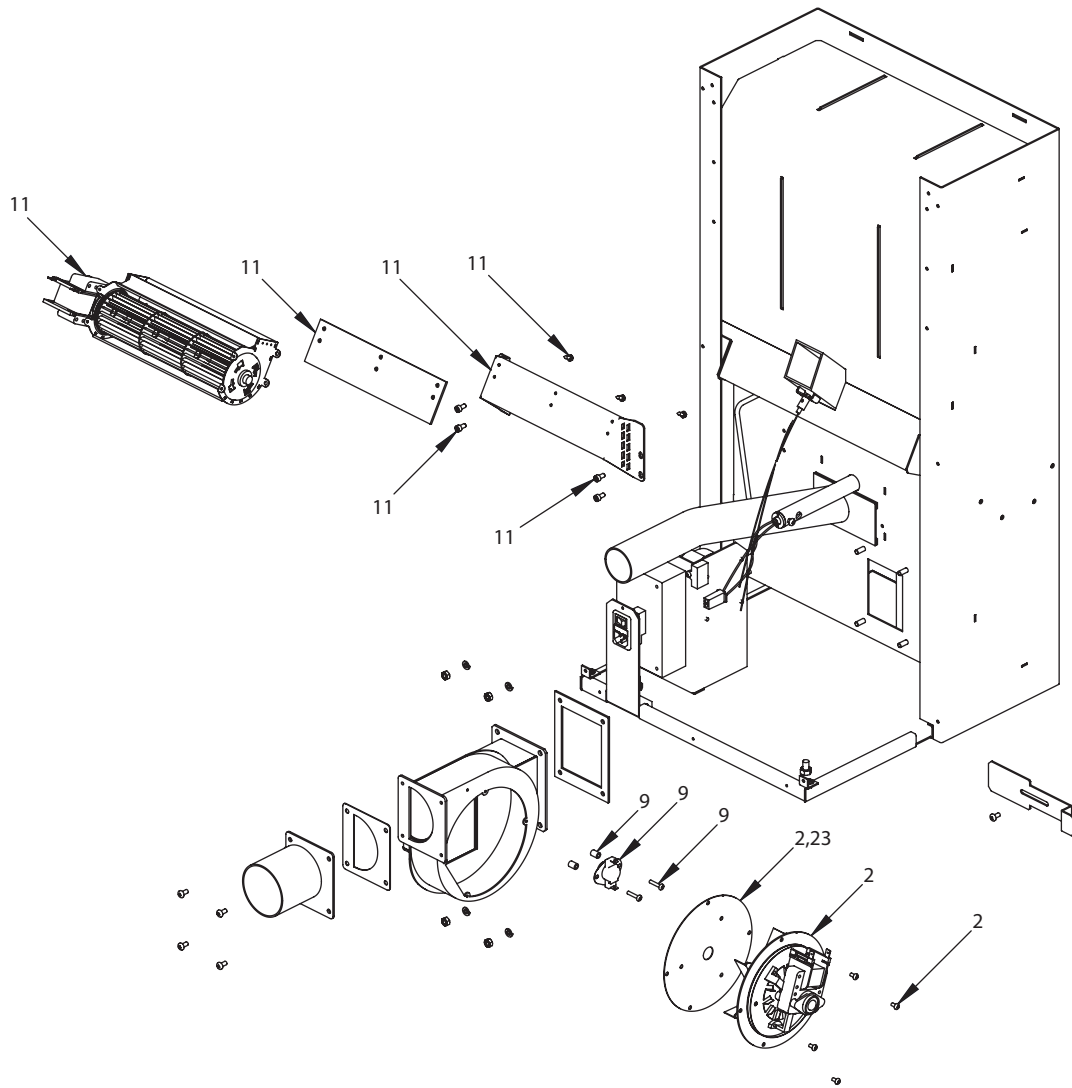
PROBLÈME	CAUSE	SOLUTION
Pas l'alimentation en combustible, présence de signal de dépression et de couvercle sur la commande.	La vis sans fin est obstruée  La vis sans fin ne fonctionne pas	Sortir la vis sans fin de son logement et nettoyer d'abord l'obstruction.  Accéder au mode de diagnostic de la commande et activer (noircir) le cercle de « Feeding ». Cela devrait activer la vis sans fin et l'alimentation en granules. Changer la vis sans fin le cas échéant.
Pas l'alimentation en combustible, pas de signal de couvercle sur la commande.	Le couvercle de trémie est ouvert  Le contacteur de couvercle de trémie ne fonctionne pas correctement	Fermer le couvercle de trémie. Accéder au mode de diagnostic de la commande; le cercle de « Limit » doit être noirci lorsque la trémie est fermée. Le cercle est en blanc si le couvercle de la trémie est ouvert.  Contrôler le joint du couvercle de trémie.  Changer le contacteur de sécurité de la trémie s'il ne fonctionne pas correctement.
PROBLÈME	CAUSE	SOLUTION
Combustion lente et enfumée	Le poêle est sale  Combustible de mauvaise qualité	Nettoyer la boîte à feu.  Nettoyer le cendrier.  Nettoyer le système d'évacuation.  Nettoyer le poêle par le regard de nettoyage à cache.  Augmenter la tension du moteur d'évacuation.
PROBLÈME	CAUSE	SOLUTION
Alimentation de carburant, ne s'allume pas du tout ; indicateurs de commande en marche	Tube d'allumeur ou boîte à feu obstrués par des cendres  Allumeur défectueux	Nettoyer la boîte à feu, nettoyer le tube d'allumeur. Vérifier le réglage de l'allumeur. Seuls les fils de raccordement devraient sortir du porte-allumeur. Accéder au mode de diagnostic de la commande et tester l'allumeur en activant l'option « Fire ». De la chaleur doit se dégager du support d'allumeur dans les deux minutes.  Le changer le cas échéant.

## ILLUSTRATION DES PIÈCES DÉTACHÉES

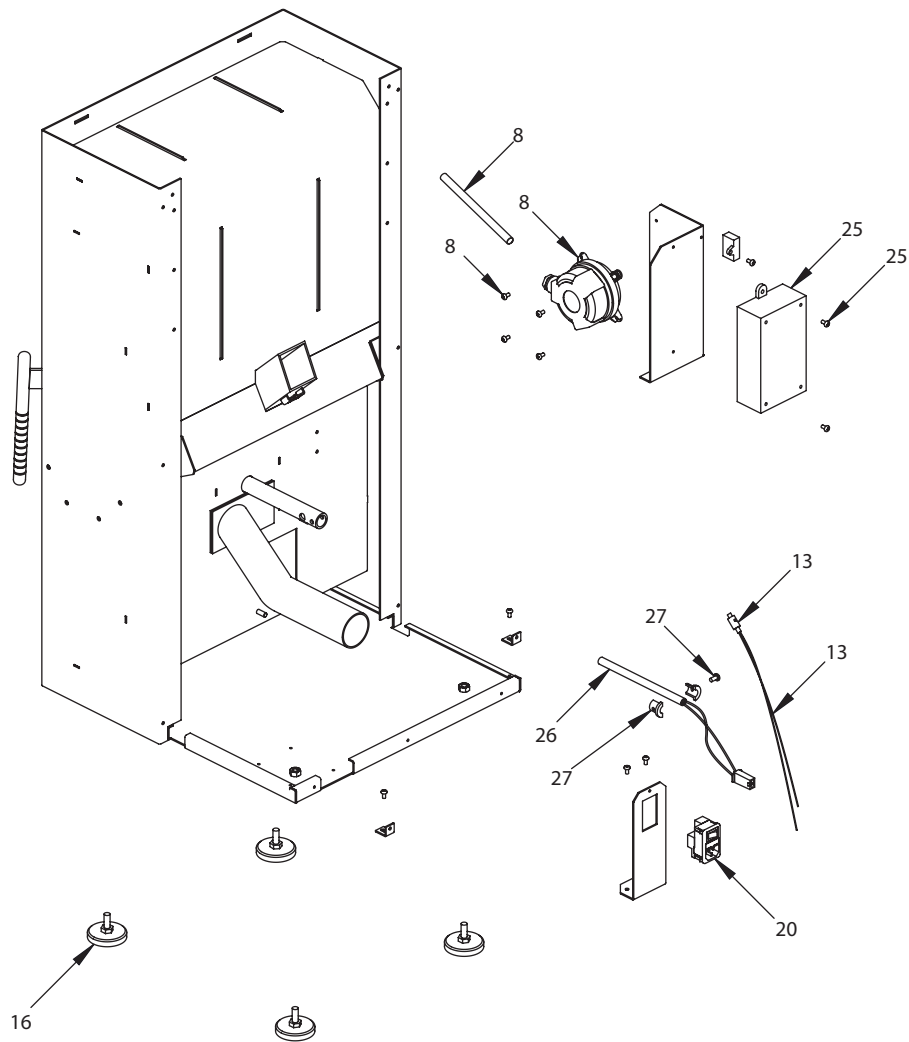




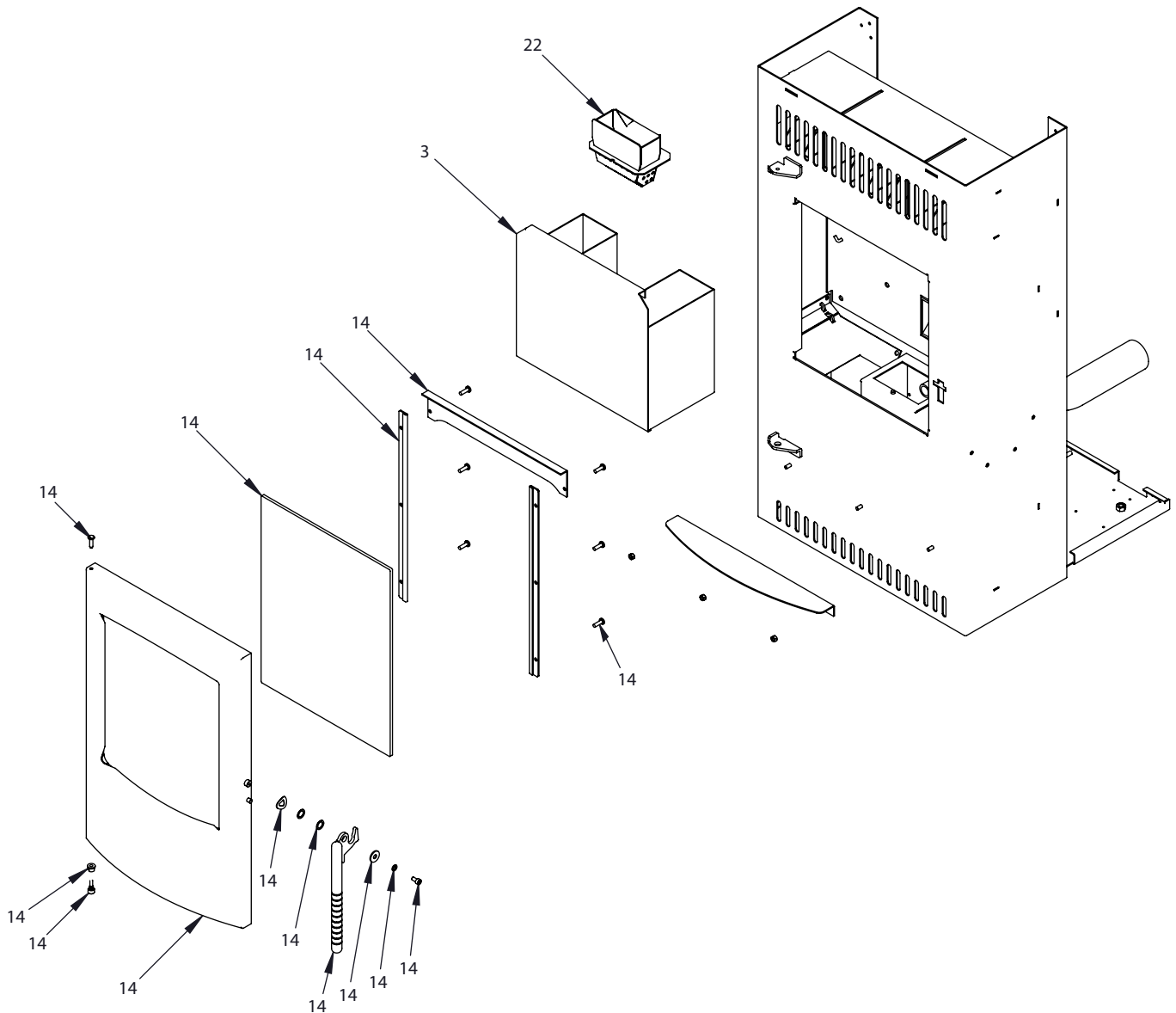
## ILLUSTRATION DES PIÈCES DÉTACHÉES



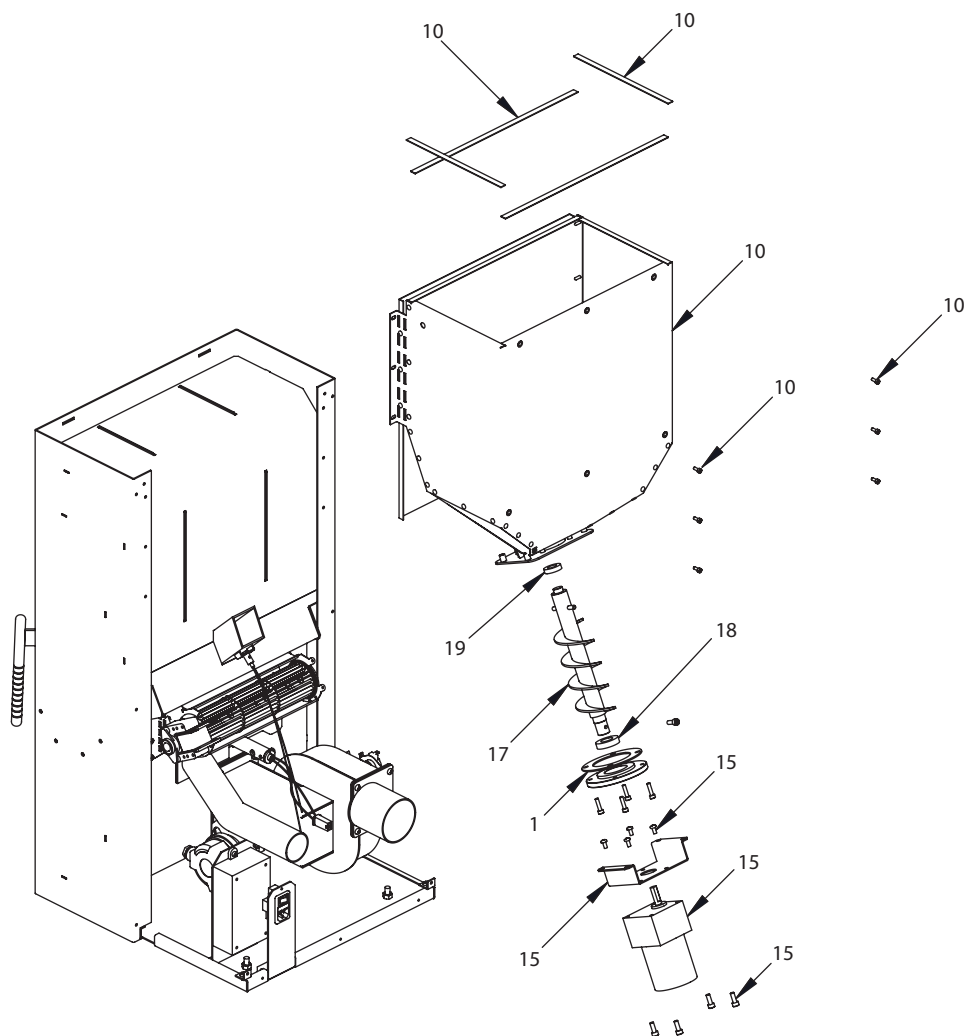
## ILLUSTRATION DES PIÈCES DÉTACHÉES



## ILLUSTRATION DES PIÈCES DÉTACHÉES



## ILLUSTRATION DES PIÈCES DÉTACHÉES



## ILLUSTRATION DES PIÈCES DÉTACHÉES

REPÈRE	RÉF.	DESCRIPTION	QTÉ
1	12225	JOINT DE LOGEMENT DE VIS SANS FIN SYSTÈME ALIM HPS	1
2	15476	KIT VENTILATEUR DE COMBUSTION DE RECHANGE	1
3	16135	CENDRIER	1
4	16278	KIT PANNEAU DROIT DE RECHANGE	1
5	16279	KIT PANNEAU GAUCHE DE RECHANGE	1
6	16280	KIT PANNEAU ARRIÈRE DE RECHANGE	1
7	16281	KIT CAPOT SUPÉRIEUR ET COUVERCLE DE TRÉMIE DE RECHANGE	1
8	16282	KIT CONTACTEUR À DÉPRESSION DE RECHANGE	1
9	16283	KIT CAPTEUR 52C DE RECHANGE	1
10	16284	KIT TRÉMIE DE RECHANGE	1
11	720104	KIT VENTILATEUR DE CONVECTION DE RECHANGE	1
12	720055	CONTACTEUR DE COUVERCLE DE TRÉMIE	1
13	720106	SONDE DE TEMPÉRATURE 92 °C	1
14	720204	KIT PANNEAU DE PORTE DE RECHANGE	1
15	720207	KIT MOTEUR DE VIS SANS FIN	1
16	720216	PIED RÉGLABLE	4
17	720219	VIS SANS FIN SYSTÈME D'ALIMENTATION	1
18	720220	PALIER INFÉRIEUR VIS SANS FIN	1
19	720221	PALIER SUPÉRIEUR VIS SANS FIN	1
20	720227	KIT INTERRUPTEUR D'ALIMENTATION DE RECHANGE	1
21	720229	POIGNÉE DE TRÉMIE DE RECHANGE	1
22	720235	BOÎTE À FEU	1
23	18522	KIT JOINT DE MOTEUR DE COMBUSTION	1
24	720298	KIT TÊTE DE COMMANDE DE RECHANGE	1
25	720304	KIT MODULE D'INTERFACE DE RECHANGE	1
26	720307	KIT ALLUMEUR DE RECHANGE	1
27	720308	KIT COLLIER PORTE-ALLUMEUR DE RECHANGE	1
28*	13512	FIL QUEUE DE COCHON LEAD, 30C	1
29*	13513	SUPPORT DE FIXATION, 30C	1
* ARTICLE NON REPRÉSENTÉ			







Castle Stoves™, Division d'Ardisam, Inc.

1160 8th Avenue, PO Box 666

Cumberland, WI 54829

800-345-6007 | Télécopie 715-822-2223

Courriel : [info@castlestoves.com](mailto:info@castlestoves.com)



## Free Manuals Download Website

<http://myh66.com>

<http://usermanuals.us>

<http://www.somanuals.com>

<http://www.4manuals.cc>

<http://www.manual-lib.com>

<http://www.404manual.com>

<http://www.luxmanual.com>

<http://aubethermostatmanual.com>

Golf course search by state

<http://golfingnear.com>

Email search by domain

<http://emailbydomain.com>

Auto manuals search

<http://auto.somanuals.com>

TV manuals search

<http://tv.somanuals.com>