

Concord®

Avia

60AV5E



Owners Manual
and
Installation Instructions

A Continuing Commitment to Excellence



READ AND SAVE THESE INSTRUCTIONS



Before beginning installation of your new **Concord**[®] ceiling fan, read and follow these safety precautions. If you are not familiar with national and local electrical codes and basic electrical wiring procedures, we recommend that you have a qualified electrician install your new ceiling fan.

- ❖ Before you begin, **TURN OFF THE ELECTRICITY**. Determine which circuit your new fan will be using and remove the fuse or turn off the circuit breaker at the main electrical panel.
- ❖ Make sure that all wiring conforms to national and local electrical codes. If you are in question, obtain a copy of the codes and wire the fan accordingly. Never leave bare wires uncovered (*wire connection*), use wire nuts to cap all connections. Plastic electrical tape is not recommended.
- ❖ When working with electricity, never take short cuts. Follow the code in every respect. Basic requirements for a ceiling fan installed with lights are, 120 volts AC - 60Hz, on a grounded circuit with a 15 amp breaker or fuse. Make sure that your electrical system and choice of location meet these requirements.
- ❖ If the location where you plan to install your fan does not already have an electrical outlet, hire a licensed electrician to run the wiring and install an outlet box designed for ceiling fans or heavy fixtures. The outlet box should be able to support a minimum moving weight of 50 pounds and marked “Acceptable for Fan Support” (*Plastic outlet boxes are not recommended for ceiling fan installation*).
- ❖ If you plan to use an existing electrical location, check to make sure that the outlet box is not **PLASTIC**, that it is securely attached and able to support at least 50 pounds of moving weight and marked “Acceptable for Fan Support”. If you have any questions, outlet boxes and support systems for ceiling fans are available at most hardware and do-it-yourself centers. In most cases, your **Concord**[®] dealer will have all the necessary products for the proper and safe installation of your ceiling fan.
- ❖ The location you choose should have a minimum clearance of 20 inches from any wall to the blade tip at any point in its rotation and a minimum of 7 feet from blade level to floor and 10 inches from the blades.



- ❖ This ceiling fan was not designed for installation in any location where it might be exposed to moisture or high humidity. Installation in this type of location could be UNSAFE, will most likely damage the fan and its finish... and will VOID YOUR WARRANTY.
- ❖ Every effort has been made to provide you with proper instructions for the safe installation of this ceiling fan. You could however, encounter situations or problems not covered in this manual. Should this occur, please refer to a do-it-yourself wiring handbook or hire a qualified electrician to install your fan.
- ❖ Never attach the blades to your ceiling fan before the fan body is properly mounted on the ceiling.
- ❖ Lubrication of your new ceiling fan is not necessary. The ball bearings have been adequately charged with grease and permanently sealed at the factory so that, under normal conditions, further attention is not necessary.



WARNING

To reduce the risk of fire, electrical shock, or personal injury, mount this fan to an outlet box marked “Acceptable for Fan Support” and use the Mounting Screws provided with the outlet box. **CAUTION:** Install the primary mounting means and use only the hardware provided with the fan.



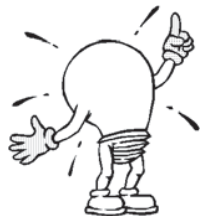
WARNING

To reduce the risk of personal injury take care not to bend the blade carriers. Be careful not to insert foreign objects into rotating fan blades.



WARNING

The important safeguards and instructions appearing in this manual are not meant to cover all possible conditions and situations that may occur. It must be understood that common sense, caution and careful attention to detail are factors which cannot be built into this product. These factors must be supplied by the person or persons installing, caring for, and operating the unit.



Look for Me!
I have safety Tips and
Ideas for installation

These instructions are designed for a number of similar but different ceiling fans. As you proceed, some steps may or may not apply to the fan you purchased. Compare each step or optional procedure to your fan and proceed accordingly.



Step 1 Install Mounting Bracket

Install the mounting bracket onto the electrical junction box in the ceiling using two machine screws, two washers and two lock washers (see figure 1).

The mounting bracket has slotted holes to enable it to move sideways for proper alignment. Make sure the mounting bracket is centered over the electrical junction box and that it is securely attached (see figure 2).

NO MOVEMENT SHOULD OCCUR BETWEEN THE MOUNTING BRACKET AND THE ELECTRICAL JUNCTION BOX.

Pull the electrical wires in the junction box down and through the mounting bracket.

Loosen the two canopy mounting screws on the downside face of the mounting bracket. Back them out about half way. This will allow for easier installation of the ceiling canopy later (see figure 3).

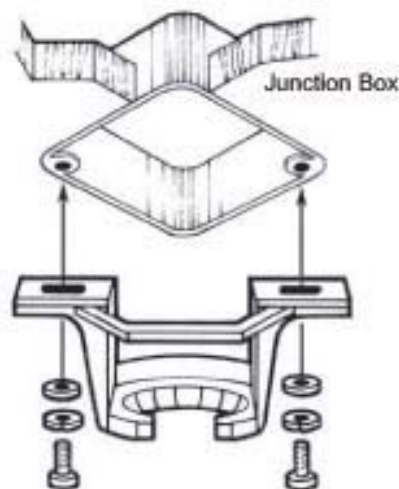


Fig. 1

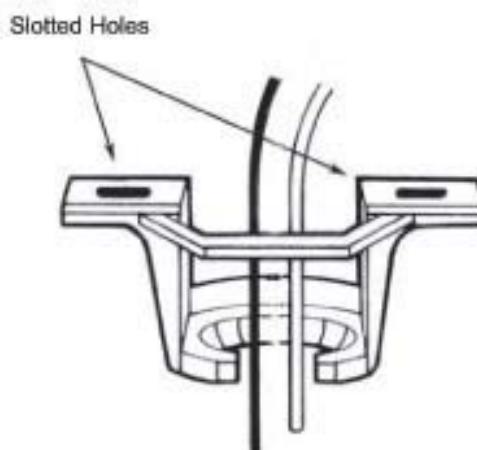


Fig. 2

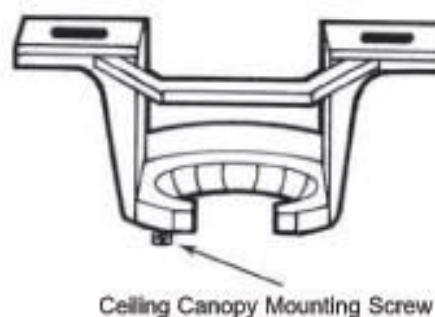


Fig. 3



Step 2 Attach the support assembly



If you are using an extended support rod, (longer than the one supplied with your fan) remove the half ball from the support assembly and attach it to the extended support rod at this point. Make sure to retighten the set screw and insert the safety pin.

Back off (*loosen*) the set screws (2) in the support rod coupler until the inside of the channel is clear of the screw tip.

Remove and save the safety pin and washer on the end of the support rod assembly.

Slide the ceiling canopy onto the support rod, followed by the support rod coupler cover. (*see Fig. 4*)

Feed the electrical wires from the fan housing through the support rod.

Thread the support rod into the support rod coupler until the safety pin can be inserted through the hole in both the rod and coupler.

Insert the safety pin through the hole in the support rod coupler and support rod then attach washer into safety pin and the retaining clip on the other side.

Tighten both set screws and safety screw on the support rod coupler.

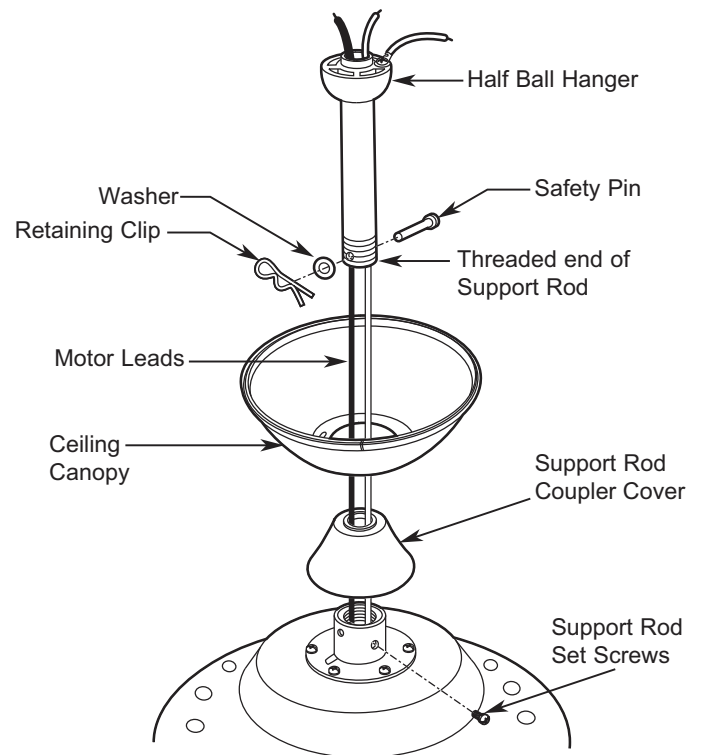


Fig. 4



Step 3 Hanging the Fan Body

Notice the half ball on the end of the support rod is grooved down one side (see figure 5). This Keyway fits over the small keyway pin on the inside of the mounting bracket and keeps the ceiling fan from spinning on the mounting bracket.

Using your step ladder, lift the fan and place the half ball in the center of the mounting bracket with the keyway pin inserted into the keyway on the ball. Turn the fan left and right slightly to make sure it is seated on the bracket with the keyway pin in the keyway (see figure 6).

Trim the lead wires, leaving about six inches of each wire extending from the support rod (see figure 7).

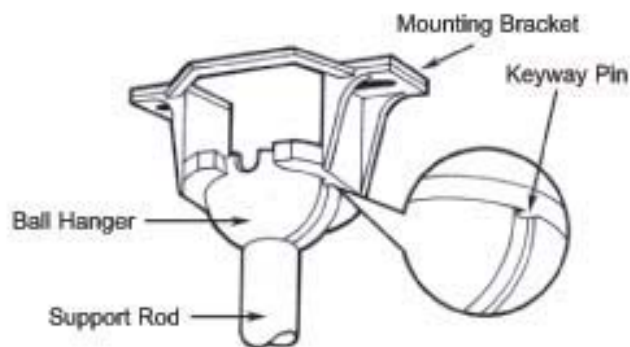


Fig. 5

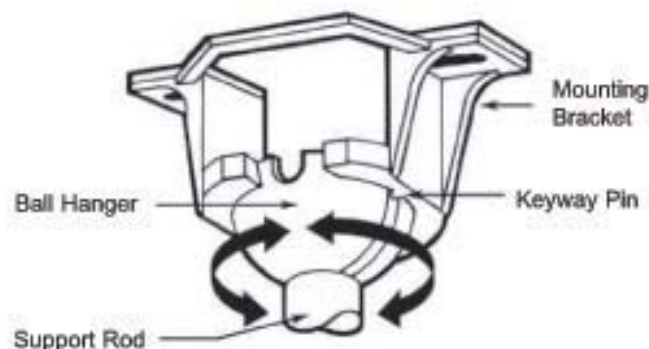


Fig. 6

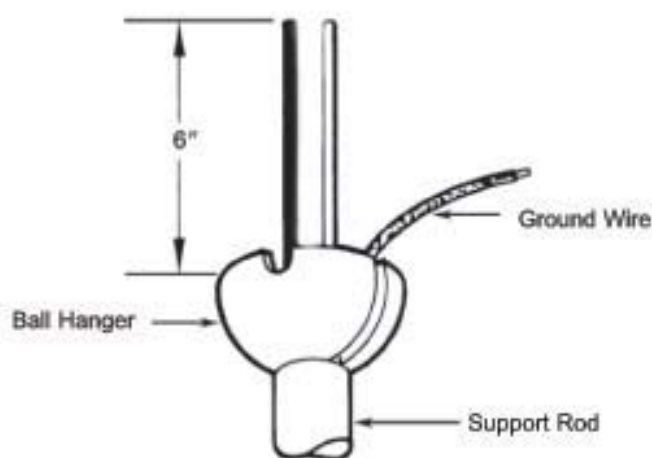


Fig. 7

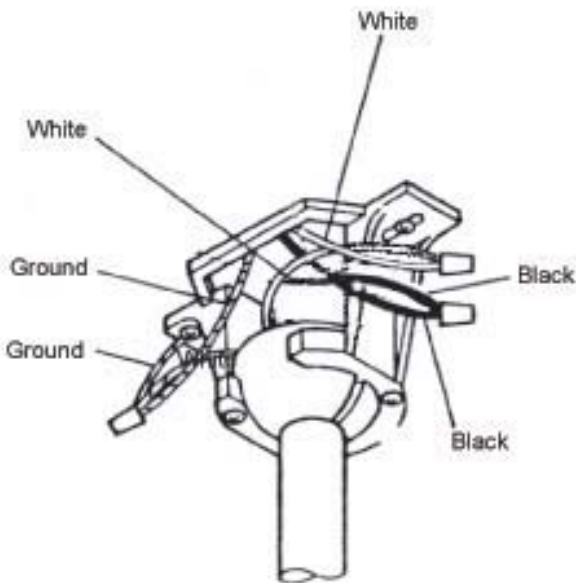


Fig. 8

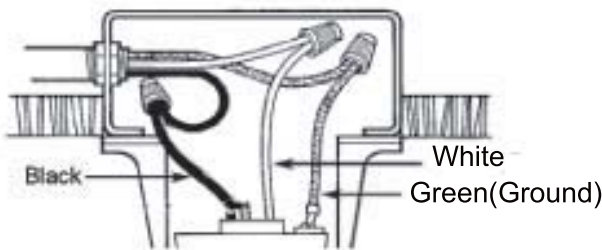


Fig. 9

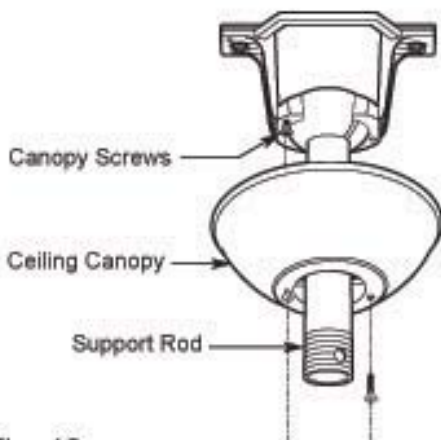


Fig. 10



**TURN OFF
the Electricity
BEFORE
proceeding!**

Step 4 Making the Electrical Connections

TURN OFF THE ELECTRICITY BEFORE PROCEEDING!

Make electrical connections from the fan to receiving unit in mounting bracket (*see figure 8*)

Attach the **GREEN** wire (*connected to the half ball*) to the **GROUND** wire in the junction box. The **GROUND** wire is usually a bare copper wire without plastic insulation. It could also be covered in green plastic insulation.

Attach the **BLACK** wire to the **BLACK** wire in the junction box.

Attach the **WHITE** wire from the fan to the **WHITE** wire in the junction box.



Each of the above connections should be made as tight as possible using the proper size plastic wire nuts. Plastic electrical tape is not recommended for these connections.

Fold the connected wires (*see figure 9*) and push them up inside the electrical junction box with the black and blue wires to one side and the white and green to the other side. Make sure the wire nuts do not come loose during this operation.

Step 5 Install the Canopy

Slide the canopy up to ceiling as shown in Fig. 10. Make sure you place the wires safely into outlet box. Secure the canopy to the mounting bracket with the two screws provided on the bracket.



Step 6 Fan Blade and Blade Arm Assembly

Most CONCORD fans are supplied with a reversible blade finish. Choose the blade finish that you prefer and attach as follow:

- ❖ Attach each fan blade to a blade arm with three 3/16" x 7.5 mm blade screws and three 3/16" fiber washers (see figure 11). DO NOT OVER TIGHTEN THESE SCREWS.
- ❖ Screws should be tightened until the washers are compressed by the screw head. Hold the Blade Arm decorative side down and place the blade on top with the flat side of the blade facing down. Each screw is passed through the washer and blade and screwed into the blade arm.

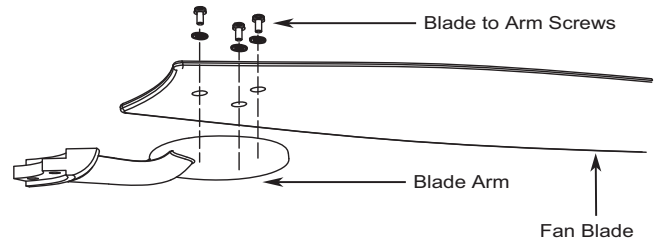


Fig. 11

Step 7 Fan Blade Assembly Installation

Remove the large screws in the face of the motor. Discard any rubber blocks attached to these screws. The rubber blocks are installed at the factory to stabilize the motor during shipment.

Attach each blade to the motor face using pre-installed screws (see figure). Take care not to bend the blade arms during installation. This will cause your fan to wobble while running.



Try mounting the blades on opposing sides of the motor face, This will help keep the fan more level during blade installation.

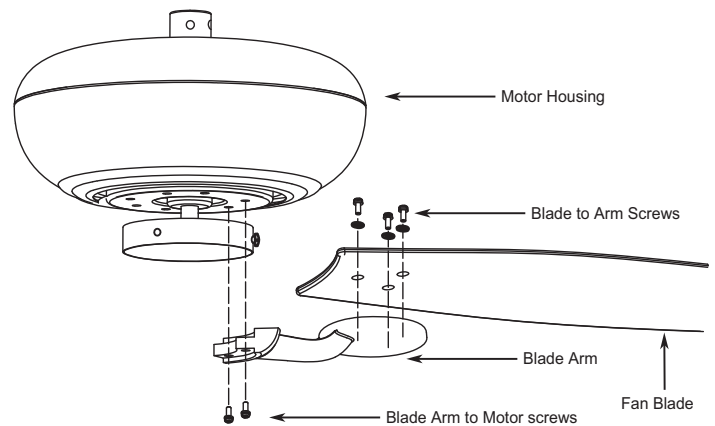


Fig. 12

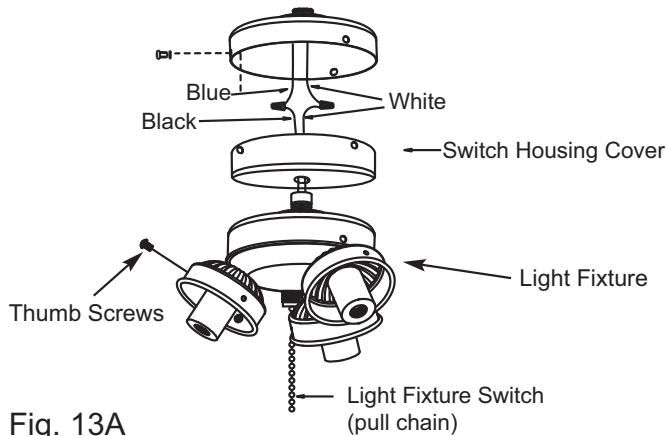


Fig. 13A

Step 8 Light Fixture Installation

Depending on which model of Avia fan you are installing, you will either have the 4 light Turtle Cluster (figure 13A-13B) or the Twist-on Light (figure 14) or the Bowl Light (figure 15A-15C). Please follow instruction under the correct light fixture.

Turtle Cluster:

Back off (loosen) the three screws on the switch housing cover (see figure 13A)

Connect White wire to White wire, and Black wire to Blue wire using wire nuts. Press together firmly.

Place light fixture onto fan, line up the 2 holes and rotate light fixture; Insert the screws and tighten.



Each of the above connections should be made as tight as possible using the proper size plastic wire nuts. Plastic electrical tape is not recommended for these connections.

Place glass shades onto light fixture, Secure with thumb screws, DO NOT over tighten (see figure 13B).

Twist bulbs into socket, DO NOT over tighten.

Twist Class:

Secure the light kit (switch housing cover) to the switch housing by installing the three thumb screws provided in the hardware pack.

Connect White wire to White wire, and Black wire to Blue wire using wire nuts. Press together firmly.

Install light bulb (Max. 60W B10 bulb * 2pcs) into socket (see figure 14).

Twist glass onto light fixture DO NOT over tighten.

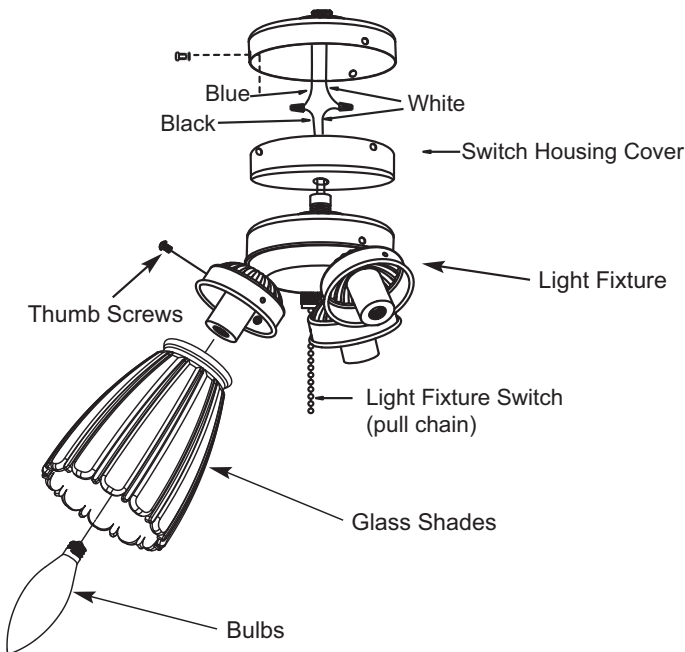


Fig. 13B

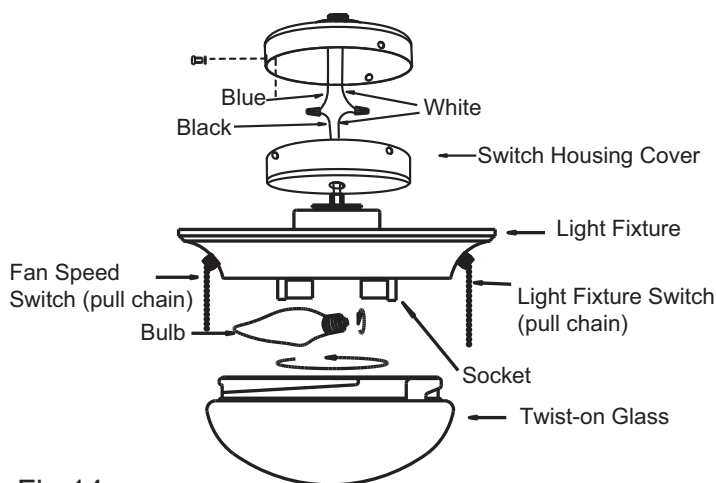


Fig. 14

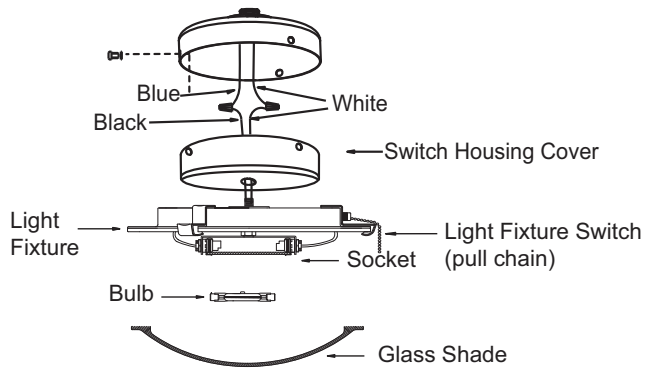


Fig.15A

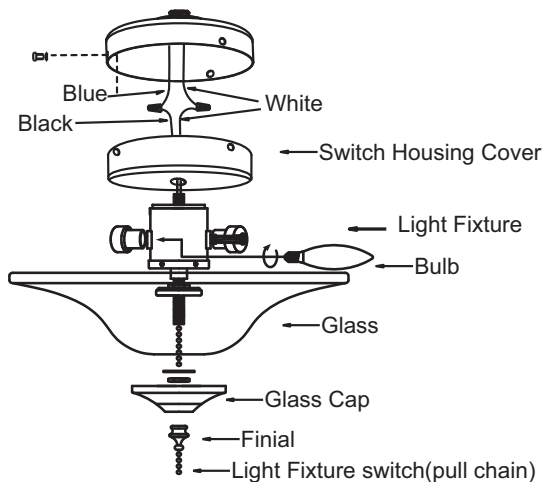


Fig.15B

Bowl Class:

Back off (loosen) the three screws on the switch housing cover.

Connect White wire to White wire, and Black wire to Blue wire using wire nuts. Press together firmly.

A. Install light bulb (Max. 100W halogen bulb * 1pc) into socket (*see figure 15A*).

B. Install light bulb (Max. 60W B10 bulb * 2pcs) into socket (*see figure 15B*).

C. Install light bulb (Max. 60W B10 bulb * 3pcs) into socket (*see figure 15B*).

Place bowl glass cover on light kit metal nut (rubber side on the top), glass cap and finial provided. (*see figure 15B*).

Step 9 Final Checks

Check all set screws and connections are properly in place and tight.

Check blade clearance and rotation.

Attach the decorative pull chain tassel(s) to the light fixture.

NOTE:

With the speed pull chain located on the light fixture, set the ceiling fan on its highest speed setting. Once this speed and light control has been installed, the speed control on the light fixture must be permanently left on high speed. Failure to leave the fan speed pull chain set on high speed will damage the fan and control and could cause a fire. The light fixture pull chain located on the light fixture should be set in the NO position and left there also.

You can now control the speeds of your ceiling fan and the light fixture with the remote control.



Operation Instruction

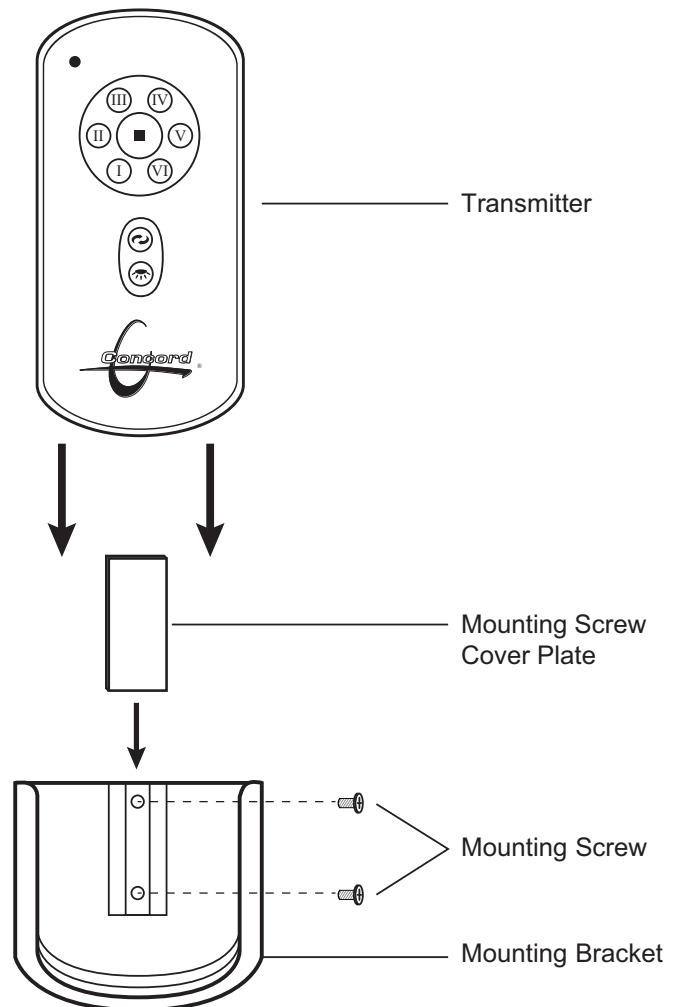
Remote Control Operation Instruction

The Remote Control Transmitter

***NOTE:** The Remote Control Transmitter comes with a bracket that can be mounted in any convenient place you choose. Next to a light switch in the same room as the ceiling fan is a good place.*

Attach the bracket with the two screws provided.

Remove the panel on the back of the hand control (transmitter) and install a 12 volt battery (included). Replace the panel.





TRANSMITTER BUTTONS (see figure 16A)

1. FAN SPEED CONTROL PAD: Controls six fan speeds from highest (VI) to lowest (I)
2. FAN ON/ OFF BUTTON: Turns fan motor On/Off
3. REVERSE BUTTON: Controls fan blade direction (Clockwise Summer and Counter-Clockwise for Winter)
4. LIGHTING CONTROL BUTTON: Press to turn light on/off. Hold the button for dimming feature.
5. SET BUTTON: Perform the following steps to set remote code. (see figure 16B)

Step 1: Turn on the AC power after attaching the blades to the motor.

Step 2: Turn fan power on, press and hold SET button on back of remote for 5 seconds. The lamp blinks twice when finishing setup. (NOTE: You must complete this Process within 60 seconds of turning on the fan)

Step 3: After the SET button is pressed, the fan will run on high speed (VI) until setup is finished. Once setup is completed the fan will return to it's original factory speed and will then be able to be controlled using the FAN SPEED CONTROL PAD BUTTONS.

RESETTING THE CODE WHEN USING DIMMING CONTROL

1. Turn off the AC Power for at least 30 seconds before switching it back on.
2. Press and hold the SET BUTTON for 6 seconds. NOTE: You must complete this process within 60 seconds of turning on the fan.
3. While the code pairing is in process, the fan operates at highest speed in REVERSE mode automatically for 90 seconds then, operates in FORWARD mode for 90 seconds. The code pairing procedure is complete when fan motor stops.

RECEIVER POWER SURGE AND OBSTRUCTION PROTECTION

1. OBSTRUCTION LOCK POSITION: The Internal Receiver has a built-in safety against obstruction during operation. The motor will turn off after 30 seconds if their is an obstruction. Once you remove the obstacles you will need to disable the power supply to re-start the motor.
2. POWER SURGE: If the Internal Reciever detects the unit is receiving over 80 Watts the receiver will turn off the fan. To reset, wait for 5 seconds and turn on the AC Power and restart the fan.

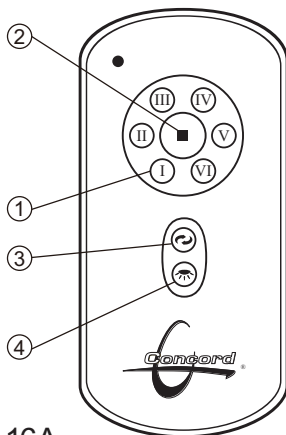


Fig. 16A

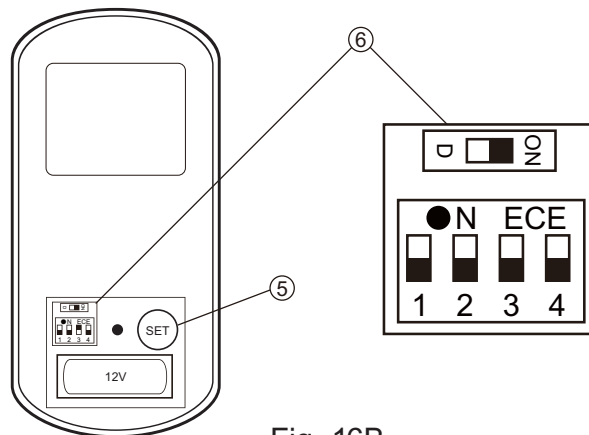
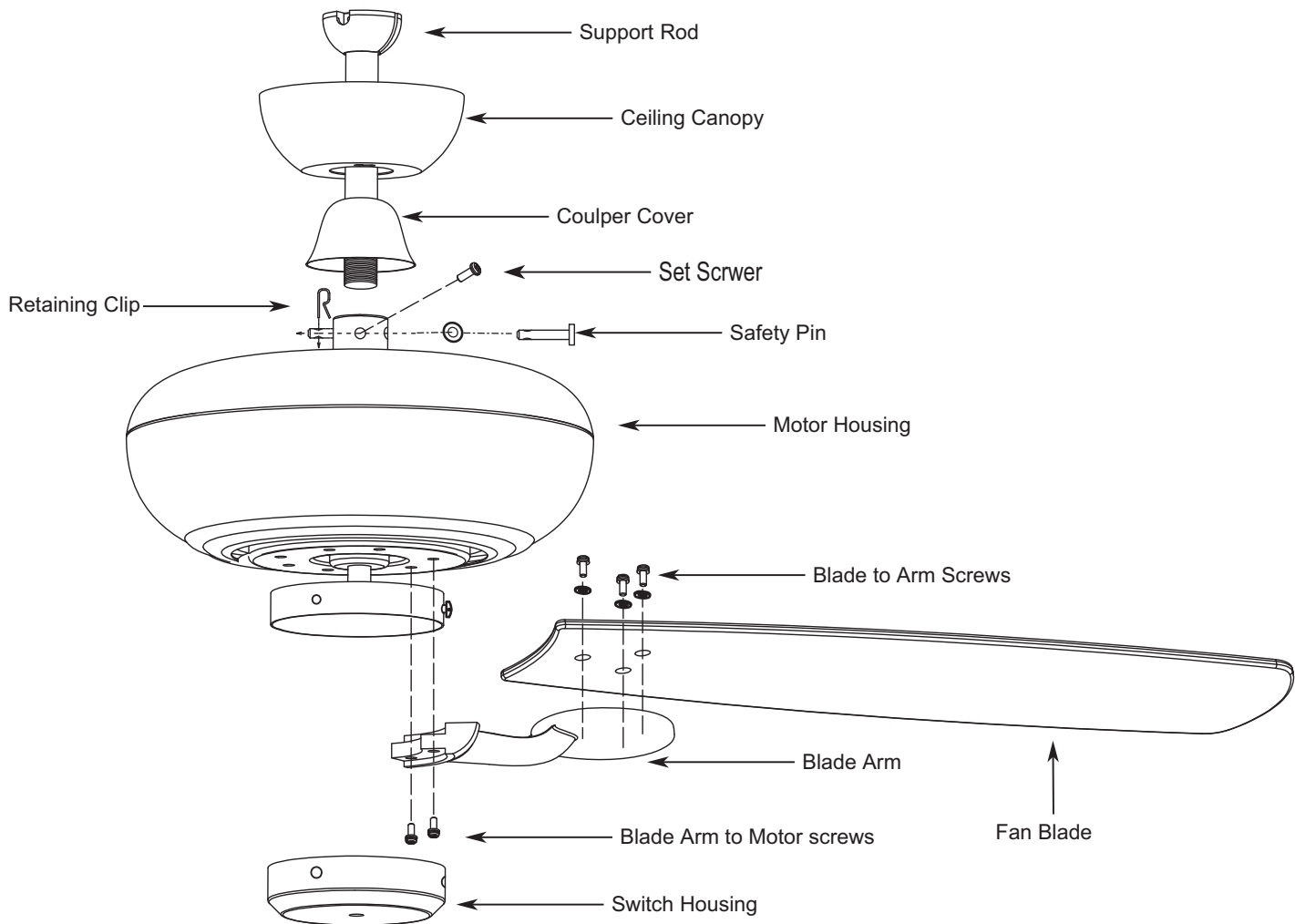


Fig. 16B



Maintenance

Your fan requires very little maintenance. Cleaning of the housing should be done with a damp soft cloth, **DO NOT USE CLEANING AGENTS**. Clean the blades with a duster or dry cloth. Any moisture could cause the blades to warp and make the fan wobble while running.



ATTENTION

Under the Energy Policy Act of 2005, federal regulations require all ceiling fans with light kits manufactured or imported after January 1, 2009, to limit the total wattage consumed by the light kit to 190 watts.

Therefore, this product is equipped with a 190W limiting device. If lamping exceeds 190 watts, the light kit will shut off automatically until the proper wattage of bulbs are installed. Reset the light kit by turning it off, replacing the bulbs with the correct wattage, and then turning the light kit back on.

Conforms To D.O.E. EPACT Regulation

Limited Lifetime Warranty Applies To Fan Motor Only



Concord Fans 2014 • ALL RIGHTS RESERVED •

No part of this publication may be produced, transmitted, transcribed, stored in a retrieval system, or translated into any language in any form by any means without the written permission of Concord Fans.

Concord Fans is a division of Luminance.

Free Manuals Download Website

<http://myh66.com>

<http://usermanuals.us>

<http://www.somanuals.com>

<http://www.4manuals.cc>

<http://www.manual-lib.com>

<http://www.404manual.com>

<http://www.luxmanual.com>

<http://aubethermostatmanual.com>

Golf course search by state

<http://golfingnear.com>

Email search by domain

<http://emailbydomain.com>

Auto manuals search

<http://auto.somanuals.com>

TV manuals search

<http://tv.somanuals.com>