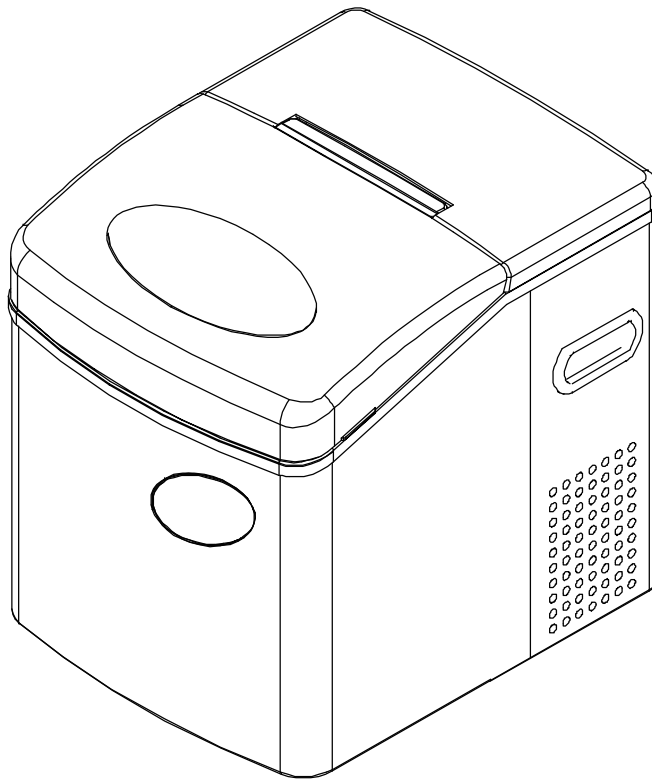


COSTWAY®

PORTABLE ICE MAKER

INSTRUCTION MANUAL



Model: EP23346

It is important that you read these instructions before using your portable ice maker and we strongly recommend that you keep them in a safe place for future reference.

TABLE OF CONTENTS

IMPORTANT SAFETY INSTRUCTIONS	2
PREPARING YOUR ICE MAKER FOR USE	
IMPORTANT SAFETY TIPS	3
GETTING TO KNOW YOUR UNIT	4
OPERATING PROCEDURES & MAINTENANCE	
UNPACKING YOUR ICE MAKER	5
CONNECTING YOUR ICE MAKER	5
CLEANING AND MAINTAINING YOUR ICE MAKER	5
USING YOUR ICE MAKER	6
TROUBLESHOOTING	6
CIRCUIT DIAGRAM	7

IMPORTANT SAFETY INSTRUCTIONS

Your safety and the safety of others are very important.

We have provided many important safety messages in this manual in regards to your appliance. Always read and obey all safety messages.

This is the safety alert symbol:



All safety messages will follow the safety alert symbol and the word “DANGER” or “WARNING”.

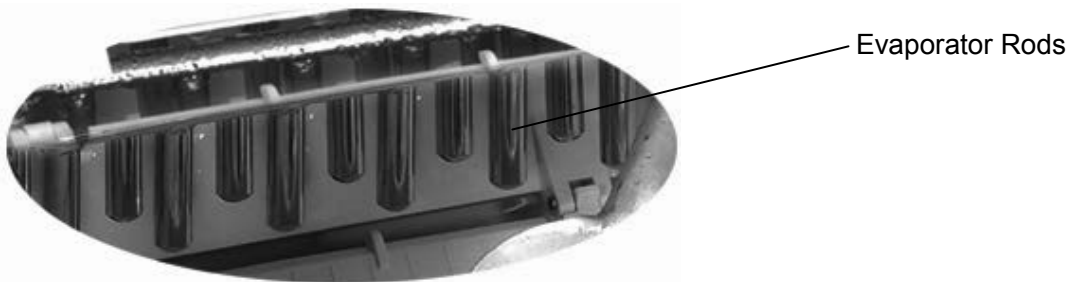
 **DANGER**

 **WARNING**

These words mean:

You can be killed or seriously injured if you don't immediate follow instructions. All safety messages will tell you what the potential hazard is, tell you how to reduce the chance of injury, and tell you what can happen if the instructions are not followed.

DO NOT TOUCH THE EVAPORATOR WHILE THE UNIT IS IN USE OR DURING THE ICE MAKING PROCESS. IT MAY CAUSE SEVERE BURNING.



PREPARING YOUR ICE MAKER FOR USE

IMPORTANT SAFETY TIPS

When using electrical appliances, basic safety precautions should be followed to reduce the risk of fire, electric shock, and injury to persons or property. Read all instructions before using any appliance.

- Do not operate this, or any other appliance with a damaged cord. Connect to properly polarized outlets only. No other appliance should be plugged into the same outlet. Be sure that the plug is fully inserted into the receptacle.
- Do not run the power cord over carpeting or other heat insulators. Do not cover the cord. Keep cord away from traffic areas, and do not submerge in water.
- We do not recommend the use of an extension cord, as it may overheat and become a risk of fire. If you must use an extension cord, use No.14 AWG minimum size and rated no less than 1875 watts.
- Unplug the ice maker before cleaning or making any repairs or servicing.
- Exercise caution and use reasonable supervision when appliance is used near children.
- Do not use your ice-maker outdoors. Place the ice-maker away from direct sunlight and make sure that there is at least 4 inches of space between the back of your unit and wall. Keep a minimum distance of 4 inches on each side of your unit free.
- Do not use other liquid to make the ice-cube other than water.
- Do not clean your ice maker with flammable fluids. The fumes can create a fire hazard or explosion.
- Do not tip over.
- If the ice maker is brought in from outside in wintertime, give it a few hours to warm up to room temperature before plugging it in.

WARNING: This appliance must be earthed.

IMPORTANT:

The wires in this mains lead are colored in accordance with the following code:

Green or Green with a strip yellow:	Grounding
White:	Neutral
Black:	Live

To avoid a hazard due to instability of the appliance, it must be placed at a even or flat surface.

GETTING TO KNOW YOUR UNIT

1. Ice Case Panel: The panel that pushes already formed ice into the ice basket below.
2. Ice Basket
3. Control Panel: Easy to use, visible functions and 1-touch display setting.
 - A) Selects ice cube size.
 - B) Starts or stops ice making cycle.
4. Handle
5. Water Drain Cap: For draining water from the water reservoir.
6. Cover: With a transparent window to allow interior visibility.
7. Ice Shovel/Scoop.
8. Ice Sensor: Ice sensor determines when the ice basket is full.

MAXIMUM WATER LEVEL: ———— ▼ ————

This marking can be found on the inside of the water tank.



USING YOUR ICE MAKER

UNPACKING YOUR ICE MAKER

1. Remove the exterior and interior packaging. Check that ice basket and ice scoop is included. If any parts are missing, please contact our customer service.
2. Clean the interior with lukewarm water and a soft cloth. Take out the ice basket and clean it
3. Find a location for your ice maker that is protected from direct sunlight and other sources of heat (i.e.: stove, furnace, radiator). Place the ice maker on a level surface. Make sure that there is at least 4 inches of space between the back and sides of your ice maker and the wall.
4. Allow one hour for the refrigerant fluid to settle before plugging ice maker in.
5. The appliance must be positioned so that the plug is accessible.

CONNECTING YOUR ICE MAKER



*** Improper use of the grounded plug can result in the risk of electrical shock. If the power cord is damaged please call our customer service.**

1. This unit should be properly grounded for your safety. The power cord of this appliance is equipped with a three-prong plug which mates with standard three prong wall outlets to minimize the possibility of electric shock.
2. Plug your appliance into an exclusive, properly installed, grounded wall outlet. Do not under any circumstances, cut or remove the third (ground) prong from the power cord. Any questions concerning power and/or grounding should be directed toward a certified electrician.
3. This appliance requires a standard 110-120 volt, 60Hz electrical outlet with three-prong ground.

Before using your ice maker, it is strongly recommended to clean it thoroughly.

The ice maker is not designed to be installed in an outside area such as a garage or a porch. Ambient temperatures of below 50F or above 105F will hinder the performance of the appliance.

CLEANING AND MAINTAINING YOUR ICE MAKER

Before using your ice maker, it is strongly recommended to clean it thoroughly.

1. Take out the ice basket.
2. Clean the interior with diluted detergent, warm water and a soft cloth.
3. Then use the water to rinse the inside parts, and drain out the water by unplugging the drain cap on the side.
4. The outside of the ice maker should be cleaned regularly with a mild detergent solution and warm water.
5. Dry the interior and exterior with a soft cloth.
6. When the machine is not in use for a long time, open water drained cap to drain water completely from water reservoir.

1. Clean your ice maker first.
2. Open the cover, remove the ice basket and pour water into tank.
Keep water level below the level mark: _____ ▼ _____
3. Place the ice basket back into the ice maker and close the lid.
4. Plug in the unit and the power indicator light will blink.
5. Press “Power” on the control panel to begin the ice making cycle. The power indicator light will lit.
6. Select the size of the ice cube by pressing the “Select” button. If ambient temperature is below 55F, it is recommended to select small or medium size to avoid ice sticking together.
7. The ice making cycle lasts 6 to 14 minutes, depending on the size of the ice cube selection & room temperature.

***NOTE:** When the machine is brand new, it may sometimes take a few hours for the machine to adjust and get used to producing ice at a faster rate, and producing larger cubes of ice. This is considered normal.

8. While the icemaker is on, check water level periodically. If water pump can’t inject water, the ice maker will stop automatically, and the “Water” indicator will be on.

Press “Power” button, fill water up to the level mark and press “Power” again.

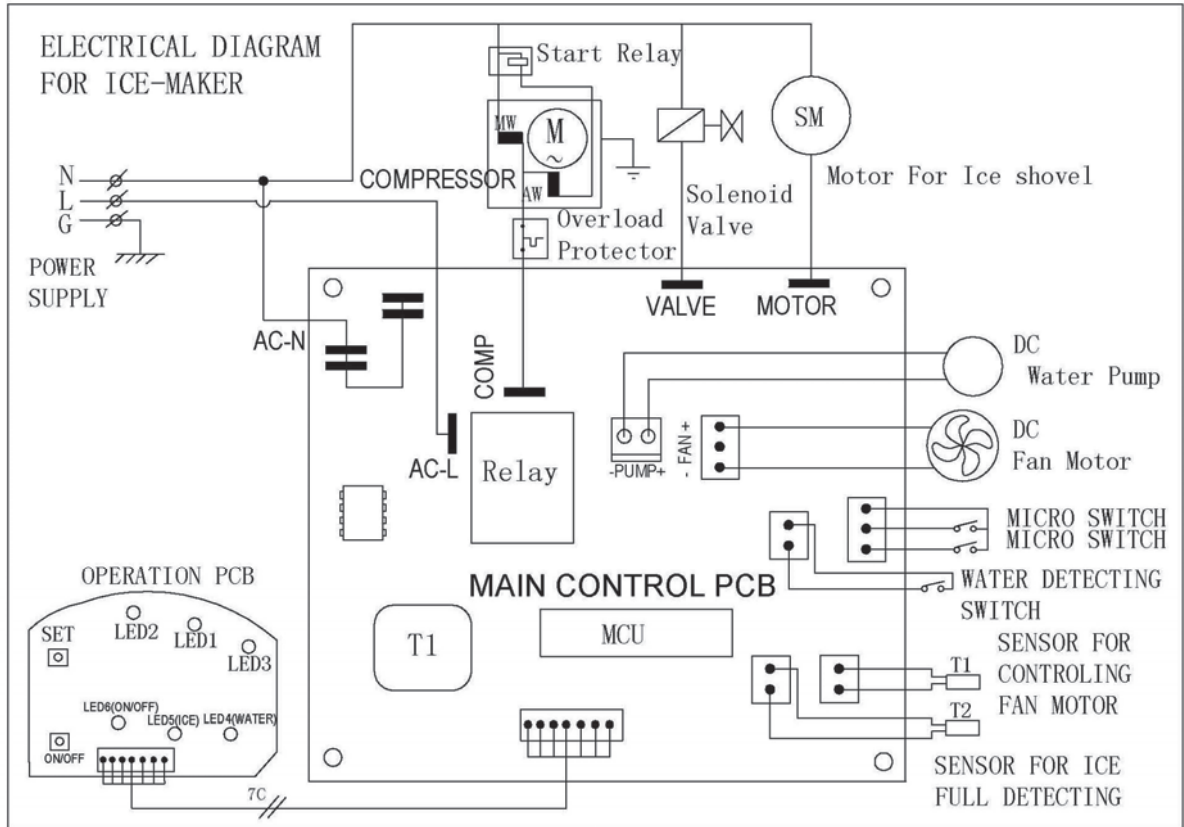
Allow 3 minutes for the refrigerant to settle before restarting.

9. The ice maker automatically stops working when the ice basket is full.
10. Change water in the water reservoir every 24 hours to ensure a reasonable hygiene level.
If unit is not in use for a few days stretch, drain all water in the tank reservoir and refill before operating again.

TROUBLESHOOTING

PROBLEM	POSSIBLE CAUSE	SOLUTION
“Add Water” indicator is on.	Lack of Water.	Stop the ice maker, fill water, and press “Power” button again to restart the unit.
“Ice” indicator is on.	There is too much ice.	Remove ice from ice basket.
Ice cubes stick together.	The ice cycle is too long.	Stop the ice maker, and restart it when the ice blocks melt. Select the small size ice cube selection.
	Water temperature in inner tank is too low.	Change the water in the inner Tank. Temperature of water is better set between 45°F–90°F .
Ice making cycle is normal but no ice is made.	Ambient temperature or water temperature in inner tank is too high.	Please run the ice maker below 90 °F and pour colder water into tank.
	Refrigerant liquid leakage.	Verify by a qualified technician.
	Pipe in the cooling system is blocked.	Verify by a qualified technician.

CIRCUIT DIAGRAM



Free Manuals Download Website

<http://myh66.com>

<http://usermanuals.us>

<http://www.somanuals.com>

<http://www.4manuals.cc>

<http://www.manual-lib.com>

<http://www.404manual.com>

<http://www.luxmanual.com>

<http://aubethermostatmanual.com>

Golf course search by state

<http://golfingnear.com>

Email search by domain

<http://emailbydomain.com>

Auto manuals search

<http://auto.somanuals.com>

TV manuals search

<http://tv.somanuals.com>