

CyberPower

Power Distribution Unit

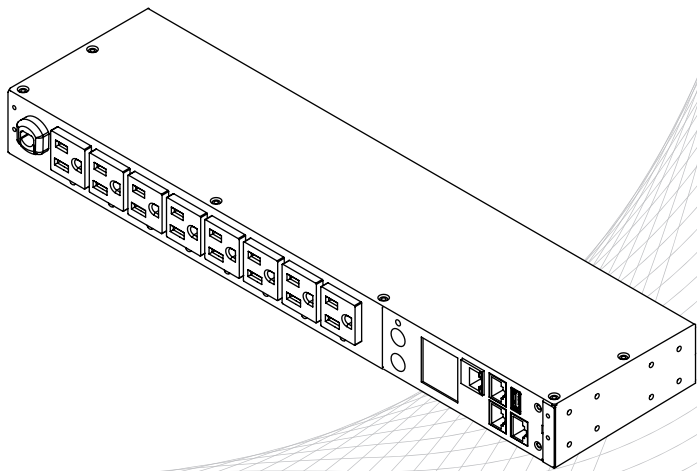


Table of Contents

Model List	1
Safety Precautions	1
Introduction	2
Package Contents	2
1U Models.....	2
2U Models	3
0U Models.....	4
Product Features.....	5
1U 15A Models	5
Technical Specifications	5
1U 20A Models.....	6
Technical Specifications	6
2U Models.....	7
Technical Specifications	7
0U 16/20A Models	8
Technical Specifications	9
0U 30/32A Models	10
Technical Specifications	11
Installation Guide	12
Horizontal Installation.....	12
For 1U Models	12
For 2U Models	13
Vertical Installation	15
For 1U Models.....	15
For 0U Models.....	15
Power Cord Direction Change - For 0U PDU.....	19
Locking Power Cord - For IEC Type PDU.....	20
Input Power Cord.....	20
Output Power Cord.....	20
Electrical Installation.....	20
Network Installation	21
Operation	22
Remote Management.....	22
Local Management.....	22
LED Indicators	23
Environmental Monitoring (optional).....	23
Device Reset	23
Unattended/Automatic Shutdown	23
Firmware Upgrade	24
Troubleshooting	28
Conformance Approvals	28
Customer Service & Warranty	29
Product Registration.....	29
CyberPower International	29
Limited Warranty.....	29
Appendix A-Hyper Terminal	30
Appendix B-Power Device Network Utility	30
Overview.....	30
Installation.....	30
Launch Program	32
Getting Started	32
Advanced Settings	33
Appendix C-PDU Daisy-Chain Function	34

Model List

Switched Metered by Outlet Series

1U	2U	OU
PDU81001	PDU81003	PDU81101
PDU81002	PDU81007	PDU81102
PDU81004	PDU81008	PDU81104
PDU81005	PDU81009	PDU81105
PDU81006		PDU81404
		PDU81405

Metered by Outlet Series

1U	2U
PDU71001	PDU71003
PDU71002	PDU71007
PDU71004	PDU71008
PDU71005	PDU71009
PDU71006	

Switched Series

1U	2U	OU
PDU41001	PDU41003	PDU41101
PDU41002	PDU41007	PDU41102
PDU41004	PDU41008	PDU41104
PDU41005	PDU41009	PDU41105
PDU41006		PDU41404
		PDU41405

Monitored Series

1U	2U	OU
PDU31001	PDU31003	PDU31101
PDU31002	PDU31007	PDU31102
PDU31004	PDU31008	PDU31106
PDU31005	PDU31009	PDU31114
PDU31006		PDU31406
		PDU31414

Safety Precautions

Read the following before installing or operating the Power Distribution Units (PDU):

- Use only the supplied hardware to attach the mounting brackets.
- The PDU must be plugged into a three-wire, grounded outlet on a circuit that is protected by a fuse or circuit breaker. For 15A PDU series, please use a 15A circuit protector. For 20A PDU series, please use a 20A circuit protector. For 30A PDU series, please use a 30A circuit protector. Connection to any other type of power outlet may result in a shock hazard.
- Do not use extension cords or adapters with this PDU.
- Never install a PDU or associated wiring or equipment during a lightning storm.
- Ensure that the power cord, plug, and socket are in good condition.

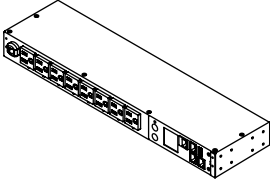


To prevent the risk of fire or electrocution, this PDU should be installed in a temperature and humidity controlled indoor area free of conductive contaminants. Do not install this PDU where excessive moisture or heat is present.

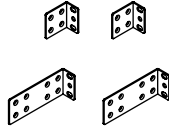
Introduction

Package Contents

1U Models



PDU



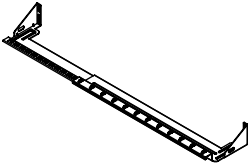
Mounting Brackets:
2 short & 2 long



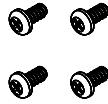
12 (Flat Head M4 x 8)
Bracket Mounting Screws



6 (M5 x 12) Rack Mounting
Screws/Washers



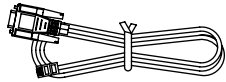
Cord Retention Tray



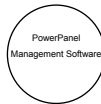
6 (M3 x 6)
Cord Retention Tray
Mounting Screws



Cable Ties:
Qty: 12 (NEMA outlet PDU)
Qty: 27 (IEC outlet PDU)



RJ45/DB9 Serial Port
Connection Cable

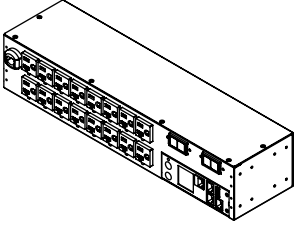


User's Manual, Registration Card, and Software Download Card

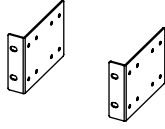
Introduction

Package Contents

2U Models



PDU



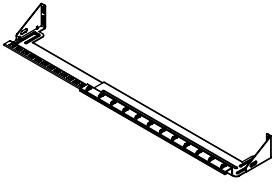
Mounting Brackets x 2



12 (Flat Head M4 x 8)
Bracket Mounting Screws



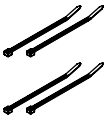
6 (M5 x 12) Rack Mounting
Screws/Washers



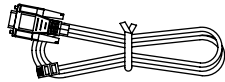
Cord Retention Tray x 2



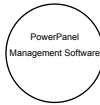
12 (M3 x 6)
Cord Retention Tray
Mounting Screws



Cable Ties:
Qty: 24 (NEMA outlet PDU)
Qty: 30 (10 IEC outlet PDU)
Qty: 48 (16 IEC outlet PDU)



RJ45/DB9 Serial Port
Connection Cable

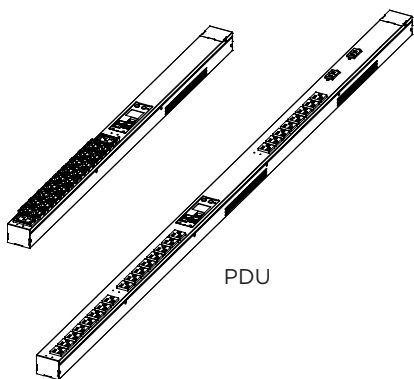


User's Manual, Registration Card, and Software Download Card

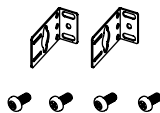
Introduction

Package Contents

OU Models



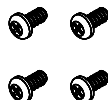
PDU



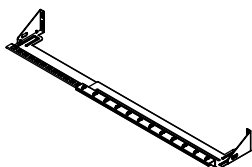
Mounting Brackets
with 6 (M4x5) Screws



6 (M5 x 12) Rack Mounting
Screws/Washers



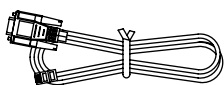
6 (M3 x 6)
Cord Retention Tray
Mounting Screws



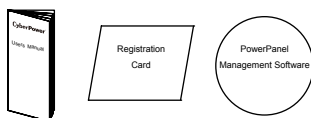
Cord Retention Tray



Cable Ties:
Qty. 30 (20 outlet PDU)
Qty. 36 (24 outlet PDU)
Qty. 63 (42 outlet PDU)

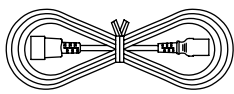


RJ45/DB9 Serial Port
Connection Cable

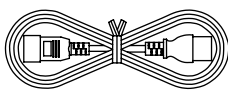


User's Manual, Registration Card,
and Software Download Card

The items below are only included with certain models



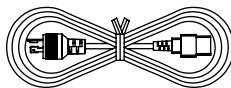
Power Cord 10ft IEC 320 C13/14
(PDU81004/ PDU71004/
PDU41004/ PDU31004)



Power Cord 10ft IEC 320 C19/20
(PDU81005/ PDU71005/
PDU41005/ PDU31005)



Adapter NEMA L5-20R to 5-20P
(PDU81002/ PDU81101/
PDU71002/ PDU41002/
PDU41101/ PDU31002/
PDU31101)



Power Cord 10ft
IEC 320 C19 to NEMA L6-20P
(PDU81006/ PDU81104/
PDU71006/ PDU41006/
PDU41104/ PDU31006/
PDU31114)

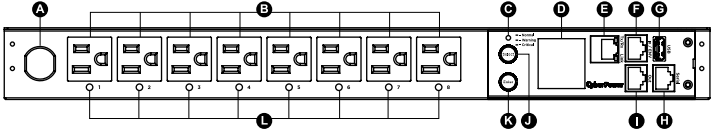


Before using, please check to ensure the package contains all the items shown above. If there are missing parts, please contact your local CyberPower technical support team for assistance.

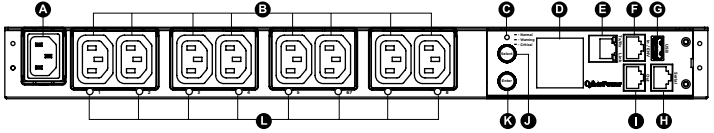
Product Features (1U 15A Models)

Front Panel Description

NEMA Type

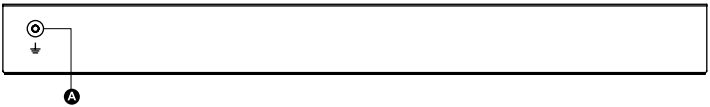


IEC Type



- A. AC Inlet/ AC Power Cord - Used to connect PDU to utility power or UPS.
- B. AC Output Receptacles - Provides power for connected equipment.
- C. Status Indicator - Indicates the condition of the PDU (eg. load or environment status).
- D. Multifunction LCD Readout - Displays various PDU information such as power and load condition.
- E. Ethernet Port - Used to connect PDU to the network.
- F. ENVIROSENSOR/ Daisy Chain (In) Port (RJ45 modular port) - Used for ENVIROSENSOR or chaining to previous PDU.
- G. USB Port - Used to upgrade the firmware via a flash drive.
- H. Serial Port (RJ45 modular port) - Used to connect to a PC and control the PDU locally via SSH/Telnet.
- I. Daisy Chain (Out) Port - Used for chaining to next PDU.
- J. Select Button - Used to control the LCD screen and toggle through the available information options.
- K. Enter Button - Used to choose selected items, enter to next level menu or return to previous menu.
- L. Outlet Indicator (switched series only) - Indicates if the outlet is providing power to connected equipment.

Rear Panel Description



- A. Ground Stud - Use to ground the PDU.

Technical Specifications

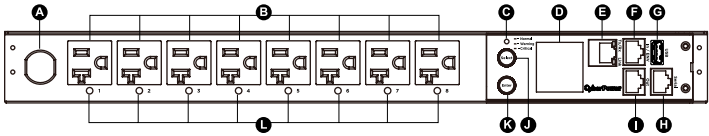
Model Name	PDU81001 PDU71001 PDU41001 PDU31001	PDU81004 PDU71004 PDU41004 PDU31004
Input		
Nominal Voltage	100-120V	100-240V
Frequency	50/60Hz	
Maximum Input Current	12A UL (Derated)	10A CE/ 12A UL (Derated)
Plug Type	NEMA 5-15P	IEC 320 C14
Power Cord Type	SR (14 AWG)	Socket
Power Cord Length	12 ft/3.65 m	10 ft/3.05 m
Output		
Nominal Voltage	100-120V	100-240V
Maximum Output Current	12A UL (Derated)	10A CE/ 12A UL (Derated)
Outlet Type	NEMA 5-15R	IEC 320 C13
Outlet Number	8	
Management and Communications		
Multifunction LCD Readout	Voltage, Frequency, Load, Current, HW/FW Version, Network Information	
Software	PowerPanel® Business Edition	
Networking	Yes	
Serial Port	RJ45	
Sensor Capable	Optional	
Physical		
Dimensions (H x W x D)	1.75" x 17.05" x 4.41"/ 44mm x 433mm x 112mm	
Environmental		
Humidity	0 to 95% Non-condensing	
Altitude	11480 ft/3500 m	
Temperature	32°F to 131°F / 0°C to 55°C	
Safety Approvals		
Certifications	UL 60950-1, FCC Class A	UL 60950-1, CE, FCC Class A

* All specifications are subject to change without notice.

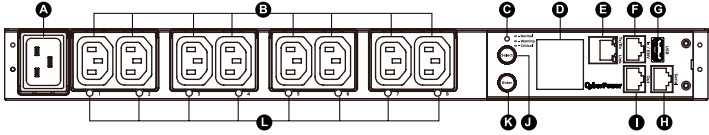
Product Features (1U 20A Models)

Front Panel Description

NEMA Type

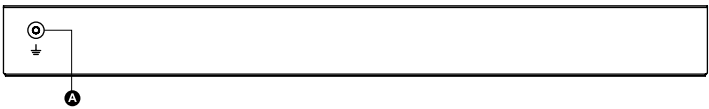


IEC Type



- A. AC Inlet/ AC Power Cord - Used to connect PDU to utility power or UPS.
- B. AC Output Receptacles - Provides power for connected equipment.
- C. Status Indicator - Indicates the condition of the PDU (eg. load or environment status).
- D. Multifunction LCD Readout - Displays various PDU information such as power and load condition.
- E. Ethernet Port - Used to connect PDU to the network.
- F. ENVIROSENSOR/ Daisy Chain (In) Port (RJ45 modular port) - Used for ENVIROSENSOR or chaining to previous PDU.
- G. USB Port - Used to upgrade the firmware via a flash drive.
- H. Serial Port (RJ45 modular port) - Used to connect to a PC and control the PDU locally via SSH/Telnet.
- I. Daisy Chain (Out) Port - Used for chaining to next PDU.
- J. Select Button - Used to control the LCD screen and toggle through the available information options.
- K. Enter Button - Used to choose selected items, enter to next level menu or return to previous menu.
- L. Outlet Indicator (switched series only) - Indicates if the outlet is providing power to connected equipment.

Rear Panel Description



- A. Ground Stud - Use to ground the PDU.

Technical Specifications

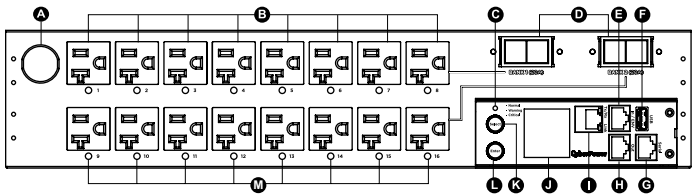
Model Name	PDU81002 PDU71002 PDU41002 PDU31002	PDU81005 PDU71005 PDU41005 PDU31005	PDU81006 PDU71006 PDU41006 PDU31006
Input			
Nominal Voltage	100-120V	100-240V	200-240V
Frequency	50/60Hz		
Maximum Input Current	16A CE, UL (Derated)		
Plug Type	NEMA (L) 5-20P (Adapter)	IEC 320 C20	NEMA L6-20P
Power Cord Type	SR (12 AWG)	Socket	
Power Cord Length	12 ft/3.65 m	10 ft/3.05 m	12 ft/3.65 m
Output			
Nominal Voltage	100-120V	100-240V	200-240V
Maximum Output Current	16A CE, UL (Derated)		
Outlet Type	NEMA 5-20R	IEC C13	
Outlet Number	8		
Management and Communications			
Multifunction LCD Readout	Voltage, Frequency, Load, Current, HW/FW Version, Network Information		
Software	PowerPanel® Business Edition		
Networking	Yes		
Serial Port	RJ45		
Sensor Capable	Optional		
Physical			
Dimensions (H x W x D)	1.75" x 17.05" x 4.41"/ 44mm x 433mm x 112mm		
Environmental			
Humidity	0 to 95% Non-condensing		
Altitude	11480 ft/3500 m		
Temperature	32°F to 131°F / 0°C to 55°C		
Safety Approvals			
Certifications	UL 60950-1, FCC Class A	UL 60950-1, CE, FCC Class A	UL 60950-1, FCC Class A

* All specifications are subject to change without notice.

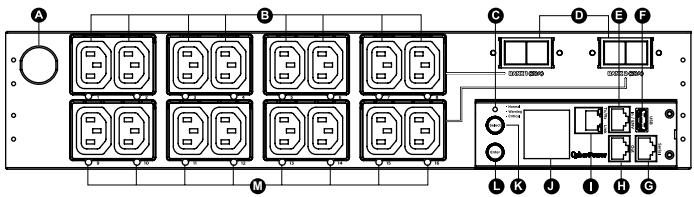
Product Features (2U Models)

Front Panel Description

NEMA Type

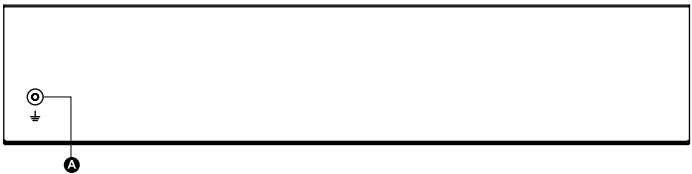


IEC Type



- A. AC Inlet/ AC Power Cord - Used to connect PDU to utility power or UPS.
- B. AC Output Receptacles - Provides power for connected equipment.
- C. Status Indicator - Indicates the condition of the PDU (eg. load or environment status).
- D. Circuit Breaker - Provides overload protection.
- E. ENVIROSENSOR/ Daisy Chain (In) Port (RJ45 modular port) - Used for ENVIROSENSOR or chaining to previous PDU.
- F. USB Port - Used to upgrade the firmware via a flash drive.
- G. Serial Port (RJ45 modular port) - Used to connect to a PC and control the PDU locally via SSH/Telnet.
- H. Daisy Chain (Out) Port - Used for chaining to next PDU.
- I. Ethernet Port - Used to connect PDU to the network.
- J. Multifunction LCD Readout - Displays various PDU information such as power and load condition.
- K. Select Button - Used to control the LCD screen and toggle through the available information options.
- L. Enter Button - Used to choose selected items, enter to next level menu or return to previous menu.
- M. Outlet Indicator (switched series only) - Indicates if the outlet is providing power to connected equipment.

Rear Panel Description



- A. Ground Stud - Use to ground the PDU.

Technical Specifications

Model Name	PDU81003 PDU71003 PDU41003 PDU31003	PDU81007 PDU71007 PDU41007 PDU31007	PDU81008 PDU71008 PDU41008 PDU31008	PDU81009 PDU71009 PDU41009 PDU31009
Input				
Nominal Voltage	100-120V	200-240V		
Frequency	50/60Hz			
Maximum Input Current	24A UL (Derated)			
Plug Type	NEMA L5-30P	NEMA L6-30P		
Power Cord Type	SR (10 AWG)			
Power Cord Length	12 ft/3.65 m			
Output				
Nominal Voltage	100-120V	200-240V		
Maximum Output Current	24A UL (Derated)			
Maximum Output Current	20A (per bank)			
Band Number	2			
Outlet Type	NEMA 5-20R	IEC C13	12 IEC C13/ 4 IEC C19	IEC C19
Outlet Number	16	12+4		10
Circuit Breaker	Yes			
Management and Communications				
Multifunction LCD Readout	Voltage, Frequency, Load, Current, HW/FW Version, Network Information			
Software	PowerPanel® Business Edition			
Networking	Yes			
Serial Port	RJ45			
Sensor Capable	Optional			
Physical				
Dimensions (H x W x D)	3.5" x 17.05" x 4.41"/ 88mm x 433mm x 112mm			
Environmental				
Humidity	0 to 95% Non-condensing			
Altitude	11480 ft/3500 m			
Temperature	32°F to 113°F / 0°C to 45°C			
Safety Approvals				
Certifications	UL 60950-1, FCC Class A			

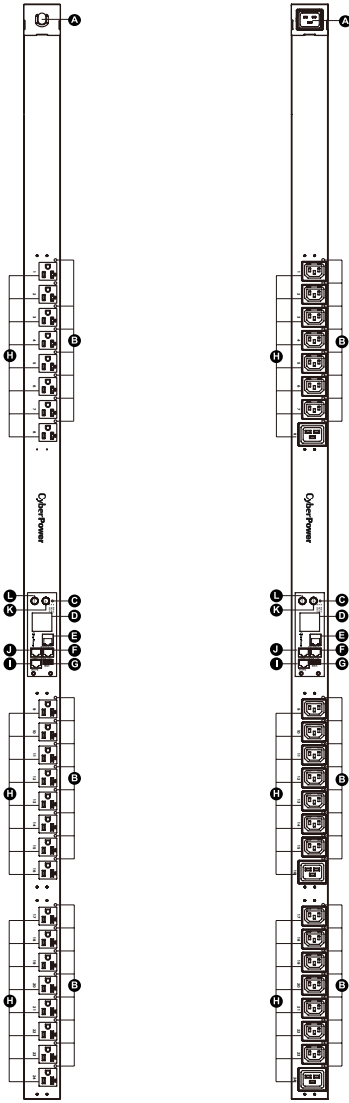
* All specifications are subject to change without notice.

Product Features (OU 16/20A Models)

Front Panel Description

NEMA Type

IEC Type



- A. AC Inlet/ AC Power Cord - Used to connect PDU to utility power or UPS.
- B. Outlet Indicator (switched series only) - Indicates if the outlet is providing power to connected equipment.
- C. Status Indicator - Indicates the condition of the PDU (eg. load or environment status).
- D. Multifunction LCD Readout - Displays various PDU information such as power and load condition.
- E. Ethernet Port - Used to connect PDU to the network.
- F. ENVIROSENSOR/ Daisy Chain (In) Port (RJ45 modular port) - Used for ENVIROSENSOR or chaining to previous PDU.
- G. USB Port - Used to upgrade the firmware via a flash drive.
- H. AC Output Receptacles - Provides power for connected equipment.
- I. Serial Port (RJ45 modular port) - Used to connect to a PC and control the PDU locally via SSH/Telnet.
- J. Daisy Chain (Out) Port - Used for chaining to next PDU.
- K. Select Button - Used to control the LCD screen and toggle through the available information options.
- L. Enter Button - Used to choose selected items, enter to next level menu or return to previous menu.

Product Features (0U 16/20A Models)

Rear Panel Description



A. Bracket Screw Hole - Used to secure the Mounting Brackets or Mounting Pegs.

Technical Specifications

Model Name	PDU81101 PDU41101 PDU31101	PDU81104 PDU41104	PDU81404 PDU41404	PDU31114 PDU31414
	Input			
Nominal Voltage	100-120V	200-240V		
Frequency	50/60Hz			
Maximum Input Current	16A UL (Derated)	16A CE	16A UL (Derated) 16A CE	
Plug Type	NEMA (L)5-20P (Adapter)	NEMA L6-20P	IEC 309 16A	NEMA L6-20P IEC 309 16A
Power Cord Type	SR (12 AWG)	Socket		
Power Cord Length	10 ft/ 3.05 m			
Output				
Nominal Voltage	100-120V	200-240V		
Maximum Input Current	16A UL (Derated)	16A CE	16A UL (Derated) 16A CE	
Outlet Type	NEMA 5-20R	21 IEC C13/ 3 IEC C19		18 IEC C13/ 2 IEC C19
Outlet Number	24	21+3		18+2
Management and Communications				
Multifunction LCD Readout	Voltage, Frequency, Load, Current, HW/FW Version, Network Information			
Software	PowerPanel® Business Edition			
Networking	Yes			
Serial Port	RJ45			
Sensor Capable	Optional			
Physical				
Dimensions (H x W x D)	65.5" x 2.2" x 1.9"/ 1665mm x 56mm x 48mm		35.5" x 2.2" x 1.9"/ 902mm x 56mm x 48mm	
Environmental				
Humidity	0 to 95% Non-condensing			
Altitude	11480 ft/ 3500 m			
Temperature	32°F to 140°F/ 0°C to 60°C		32°F to 131°F/ 0°C to 55°C	
Safety Approvals				
Certifications	UL 60950-1, FCC Class A	CE FCC Class A	UL 60950-1, FCC Class A CE, FCC Class A	

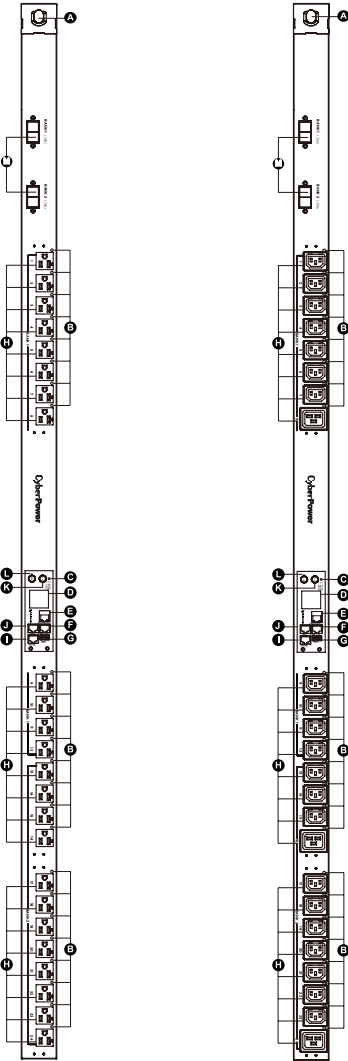
* All specifications are subject to change without notice.

Product Features (OU 30/32A Models)

Front Panel Description

NEMA Type

IEC Type



- A. AC Inlet/ AC Power Cord - Used to connect PDU to utility power or UPS.
- B. Outlet Indicator (switched series only) - Indicates if the outlet is providing power to connected equipment.
- C. Status Indicator - Indicates the condition of the PDU (eg. load or environment status).
- D. Multifunction LCD Readout - Displays various PDU information such as power and load condition.
- E. Ethernet Port - Used to connect PDU to the network.
- F. ENVIROSENSOR/ Daisy Chain (In) Port (RJ45 modular port) - Used for ENVIROSENSOR or chaining to previous PDU.
- G. USB Port - Used to upgrade the firmware via a flash drive.
- H. AC Output Receptacles - Provides power for connected equipment.
- I. Serial Port (RJ45 modular port) - Used to connect to a PC and control the PDU locally via SSH/Telnet.
- J. Daisy Chain (Out) Port - Used for chaining to next PDU.
- K. Select Button - Used to control the LCD screen and toggle through the available information options.
- L. Enter Button - Used to choose selected items, enter to next level menu or return to previous menu.
- M. Circuit Breaker - Provides overload protection.

Product Features (OU 30/32A Models)

Rear Panel Description



A. Bracket Screw Hole - Used to secure the Mounting Brackets or Mounting Pegs.

Technical Specifications

Model Name	PDU81102 PDU41102 PDU31102	PDU81105 PDU41105 PDU31106	PDU81405 PDU41405 PDU31406
Input			
Nominal Voltage	100-120V	200-240V	
Frequency	50/60Hz		
Maximum Input Current	24A UL (Derated)		32A CE
Plug Type	NEMA L5-30P	NEMA L6-30P	IEC 309 32A
Power Cord Type	SR (10 AWG)		
Power Cord Length	10 ft/ 3.05m		
Output			
Nominal Voltage	100-120V	200-240V	
Maximum Output Current	24A UL (Derated)		32A CE
Maximum Output Current	20A (per bank)		
Outlet Type	NEMA 5-20R	21 IEC C13/ 3 IEC C19	
		36 IEC C13/ 6 IEC C19	
Outlet Number	24	21+3	
		36+6	
Circuit Breaker	Yes		
Management and Communications			
Multifunction LCD Readout	Voltage, Frequency, Load, Current, HW/FW Version, Network Information		
Software	PowerPanel® Business Edition		
Networking	Yes		
Serial Port	RJ45		
Sensor Capable	Optional		
Physical			
Dimensions (H x W x D)	65.5" x 2.2" x 1.9"/ 1665mm x 56mm x 48mm		
Environmental			
Humidity	0 to 95% Non-condensing		
Altitude	11480 ft/3500 m		
Temperature	32°F to 140°F / 0°C to 60°C		32°F to 131°F/ 0°C to 55°C
Safety Approvals			
Certifications	UL 60950-1, FCC Class A		CE, FCC Class A

* All specifications are subject to change without notice.

Installation Guide



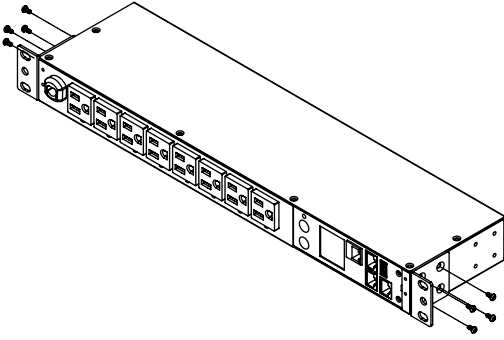
Please use only the provided screws through the entire installation process.

Horizontal Installation

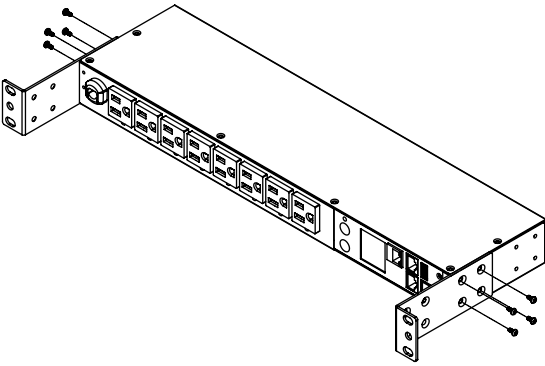
For 1U Models

Step 1. Mounting Bracket Installation

Use the provided Mounting Bracket Screws (8) to attach the SHORT Mounting Brackets (2) to the PDU.



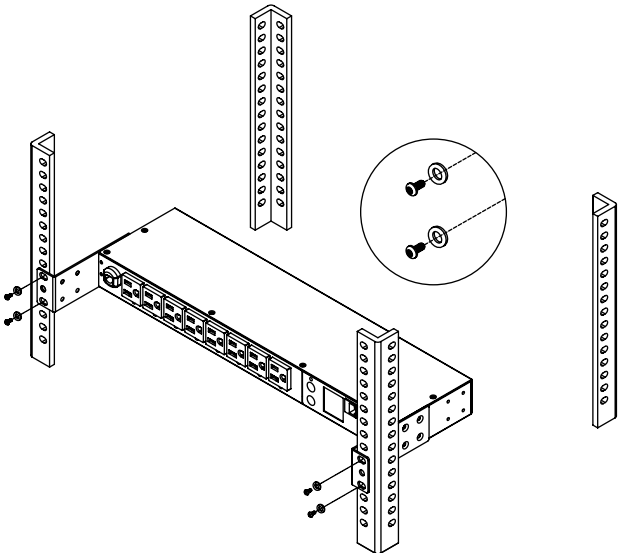
If you plan on attaching the Cord Retention Tray to the PDU, you will need to use the LONG Mounting Brackets (2).



Step 2. PDU Mounting

Use the supplied Washers (4) and Screws (4) to secure the PDU to your existing rack system.

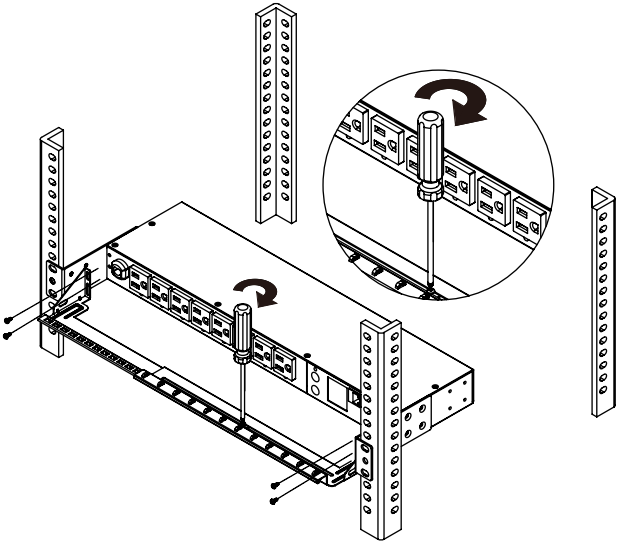
Note: You may also use the screw sets provided by the rack to secure the PDU.



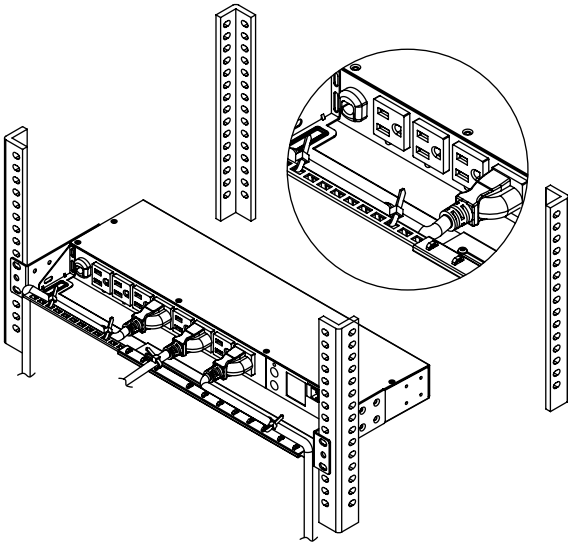
Installation Guide

Step 3. Cord Retention Tray Installation (optional)

Adjust the length of the Cord Retention Tray till the screw hole on the Tray and PDU are aligned. Attach the Cord Retention Tray to the PDU with the 4 supplied Cord Retention Tray Mounting Screws. Tighten the Cord Retention Tray with the screw on it.



Use the provided Cable Ties to fasten each cord to the Cord Retention Tray.

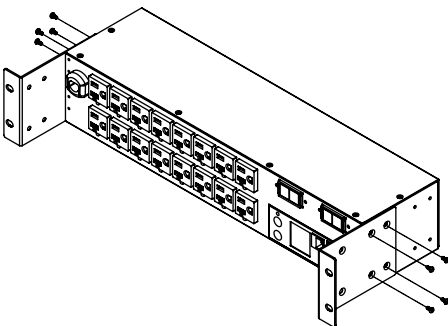


Note: If the PDUs are intended to install in a high temperature environment, please use the Power Cords that could sustain high temperature operation.

For 2U Models

Step 1. Mounting Bracket Installation

Use the provided Mounting Bracket Screws (8) to attach the Mounting Brackets (2) to the PDU.

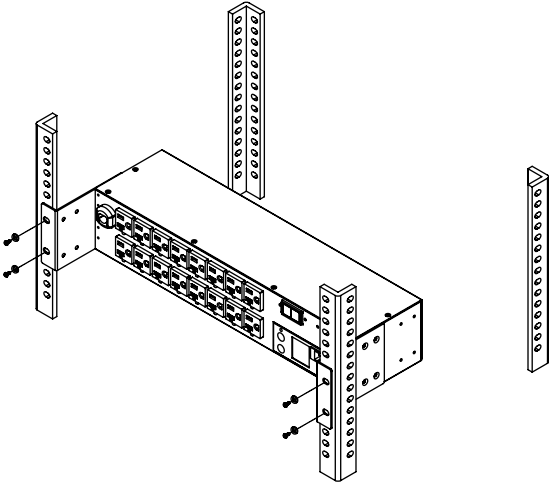


Installation Guide

Step 2. PDU Mounting

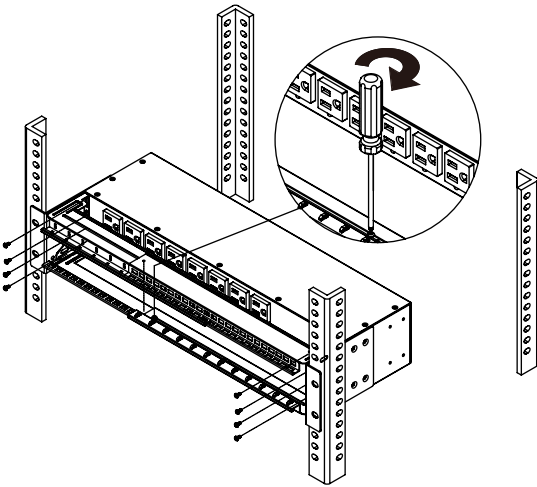
Use the supplied Washers (4) and Screws (4) to secure the PDU to your existing rack system.

Note: You may also use the screw sets provided by the rack to secure the PDU.

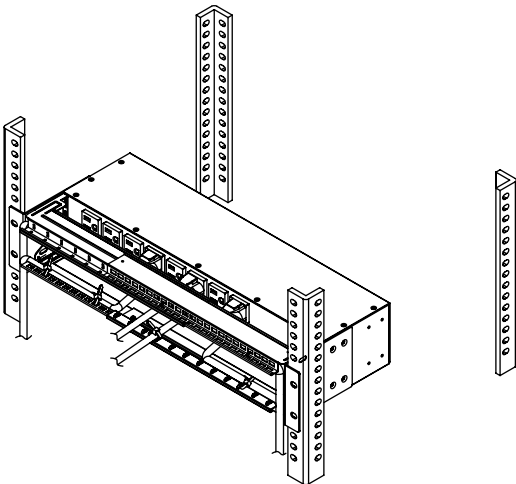


Step 3. Cord Retention Tray Installation (optional)

Adjust the length of the Cord Retention Tray till the screw hole on the Tray and PDU are aligned. Attach the Cord Retention Tray to the PDU with the 8 supplied Cord Retention Tray Mounting Screws. Tighten the Cord Retention Tray with the screw on it.



Use the provided Cable Ties to fasten each cord to the Cord Retention Tray.



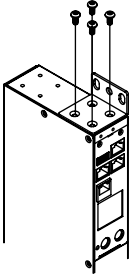
Installation Guide

Vertical Installation

For 1U Models

Step 1. Mounting Bracket Installation

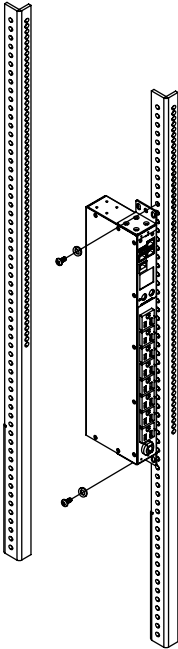
Use the provided Mounting Bracket Screws (8) to attach the SHORT Mounting Brackets (2) to the PDU.



Step 2. PDU Mounting

Use the supplied Washers (2) and Screws (2) to secure the PDU to your existing rack system.

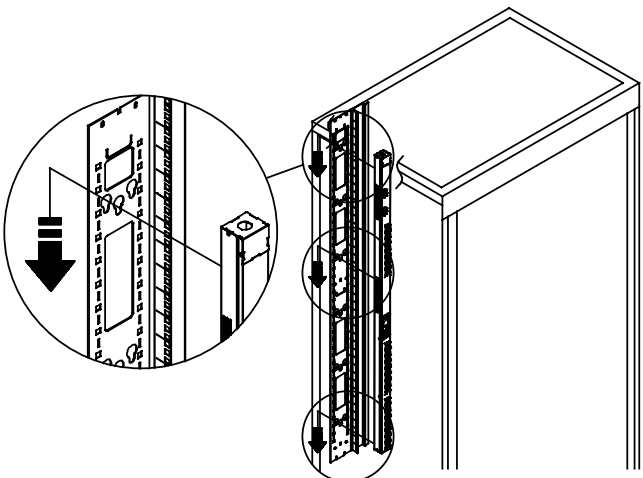
Note: You may also use the screw sets provided by the rack to secure the PDU.



For 0U Models

Step 1. PDU Mounting

Align the Keyhole Mounts to the Keyhole Slots on the rack. Insert and slide down to lock firmly into the place.

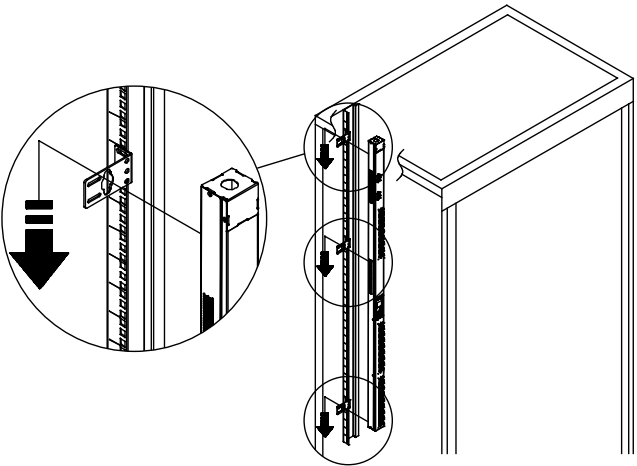
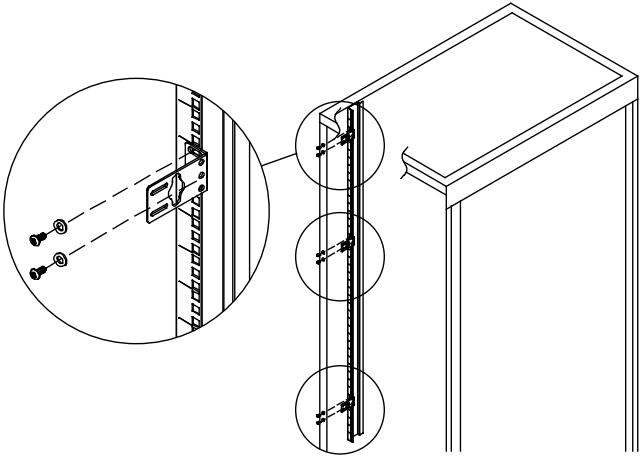


Installation Guide

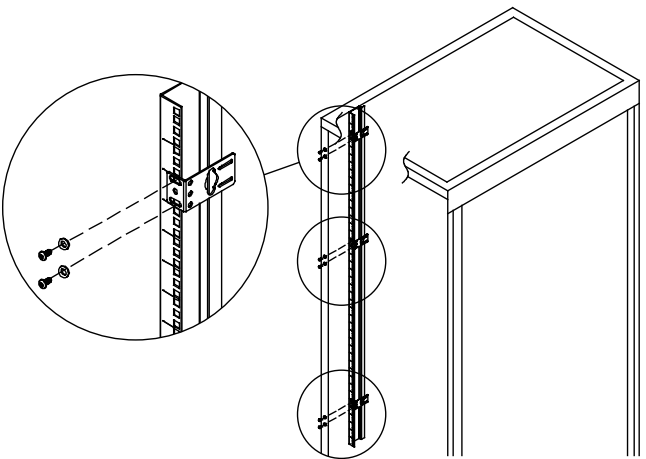
If there is no Keyhole Slot on your rack, please choose from the following methods that is best for your rack deployment to secure the PDU.

Use the supplied Washers and Rack Mounting Screws to attach the Mounting Brackets to your existing rack system. Align the Keyhole Mounts to the Keyhole Slots on the Mounting Brackets. Insert and slide down to lock firmly into the place.

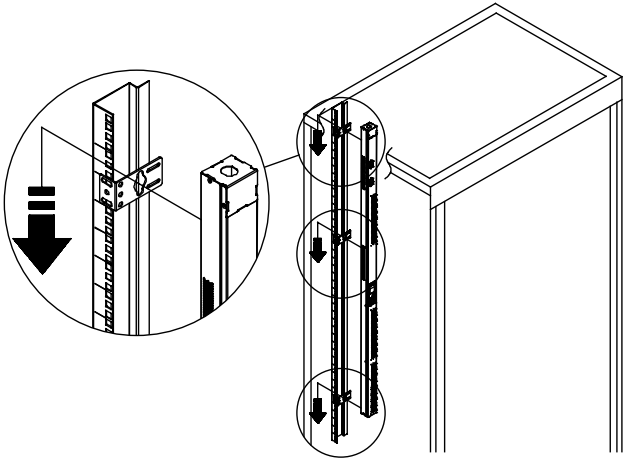
Method 1



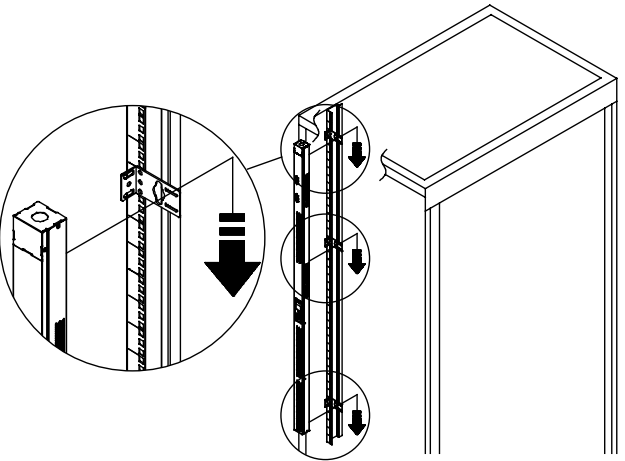
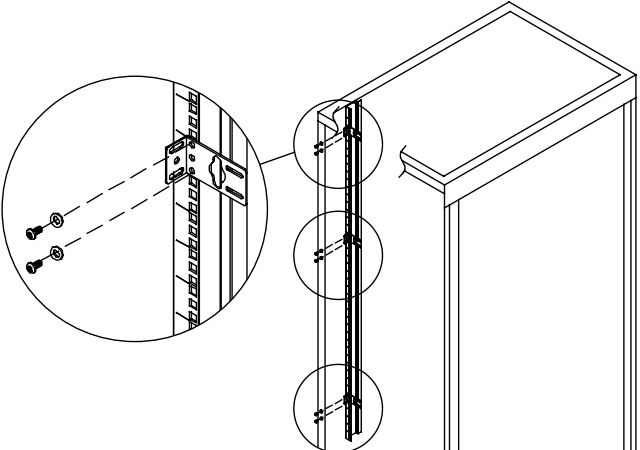
Method 2



Installation Guide



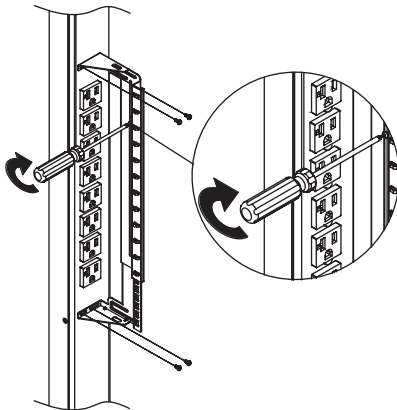
Method 3



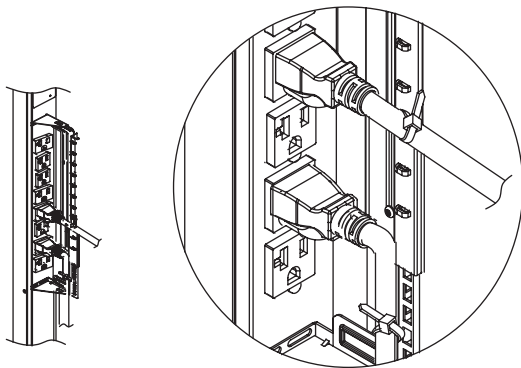
Installation Guide

Step 2. Cord Retention Tray Installation (optional)

Adjust the length of the Cord Retention Tray till the screw hole on the Tray and PDU are aligned. Attach the Cord Retention Tray to the PDU with the supplied Cord Retention Tray Mounting Screws. Tighten the Cord Retention Tray with the screw on it.



Use the provided Cable Ties to fasten each cord to the Cord Retention Tray.

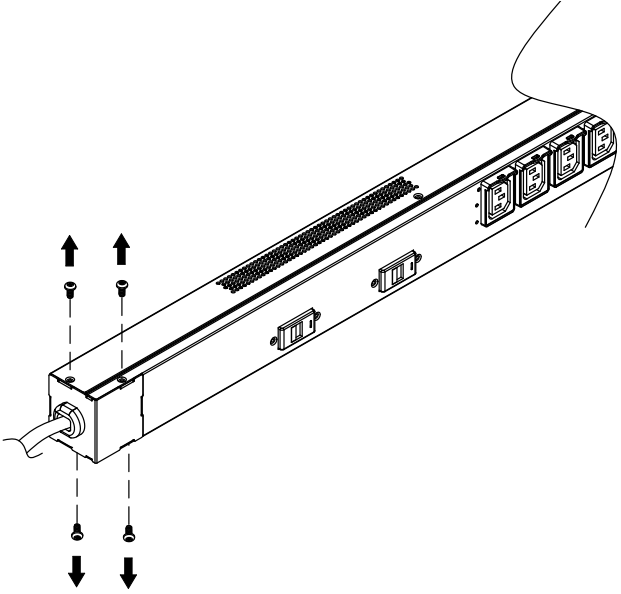


Note: If the PDUs are intended to install in a high temperature environment, please use the Power Cords that could sustain high temperature operation.

Installation Guide

Power Cord Direction Change - For OU PDU

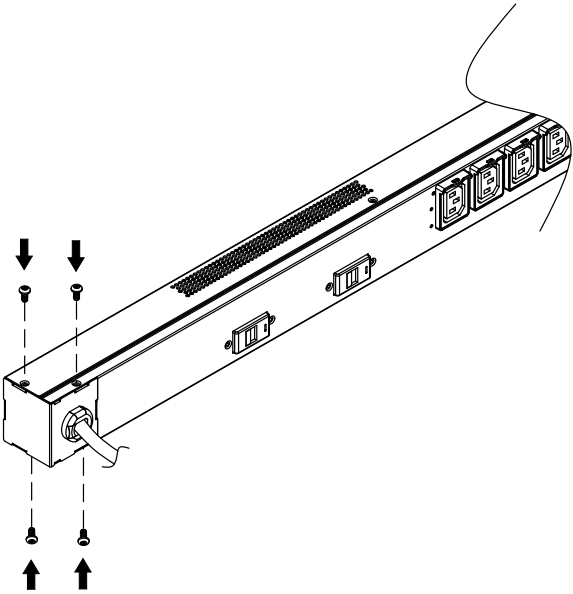
Step 1. Remove the four screws from the power cord cover. Keep the screws for later use.



Step 2. Rotate the power cord cover.



Step 3. Install the power cord cover back to the PDU with the four screws.

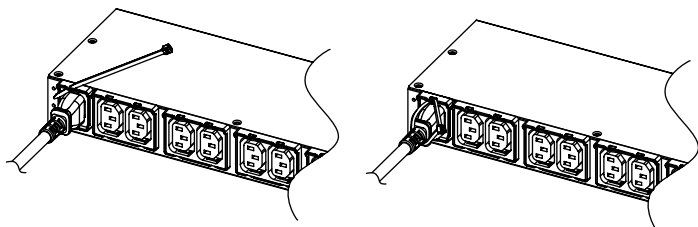


Installation Guide

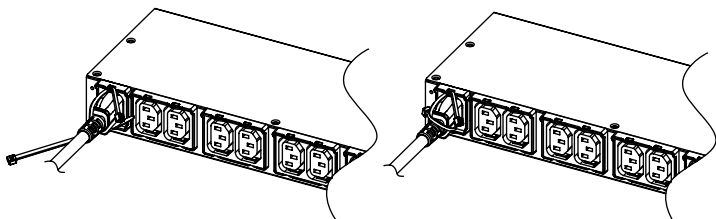
Locking Power Cord - For IEC Type PDU

Input Power Cord

Step 1. Align and insert the Cable Tie from the upper side of the Fixed Stand and fasten it as shown below.

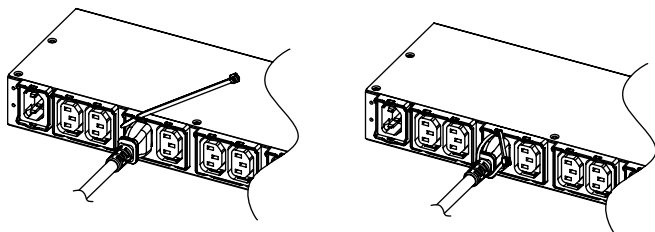


Step 2. Align and insert the Cable Tie from the bottom side of the Fixed Stand and fasten it as shown below.



Output Power Cord

Step 1. Align and insert the Cable Tie from the upper side of the Fixed Stand and fasten it as shown below.



Electrical Installation

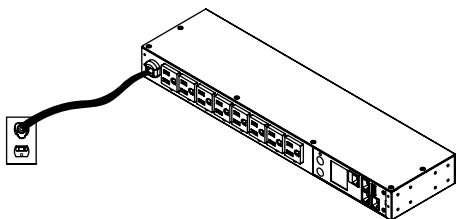
Step 1. Receptacle evaluation

Ensure that the plug type of your PDU unit matches the wall receptacle type that you are using.



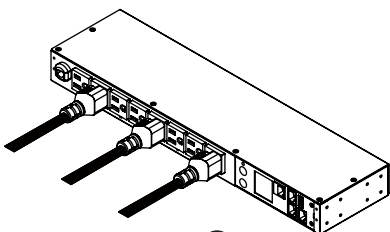
The PDU must be plugged into a three-wire, grounded wall receptacle only. The wall receptacle must also be connected to an appropriate branch circuit/main with fuse or circuit breaker protection. Connection to any other type of wall receptacle may result in a shock hazard.

Step 2. Plug the PDU into a CyberPower UPS system (recommended) or the wall receptacle.



Step 3. Attach equipment

It is extremely important not to exceed the PDU's maximum current load (as outlined in the Specifications section). In order to determine your total load, simply use the LCD screen on the front of the PDU to monitor the load being attached.



Installation Guide

Network Installation

Step 1 – Network Connection

Using an Ethernet cable, attach one end to the Ethernet port on the front of the PDU, and the other end to a network port.

Step 2 – Establish the PDU IP address

Assigning an IP address to the CyberPower PDU requires the user to have an available IP address that is valid on the respective network. If an available IP address is unknown, contact the network administrator to obtain one.

DHCP is enabled by factory default. If the PDU does not receive an IP address from the network's DHCP server, it will default to 192.168.20.177.

There are multiple methods for setting up the IP address on the PDU. Please follow the instructions below for the method that is appropriate for your application.

Please make sure the PDU is powered on during this process.

Option 1: Power Device Network Utility (recommended)

1. Download and install the Power Device Network Utility software from www.cyberpower.com.
2. Open the Power Device Network Utility and select the PDU device from the list and select Tools > Device Setup from the menu.
3. Configure the IP Address, Subnet Mask, and Gateway Address to match your network settings.
4. Enter the user name and password of the PDU device at the Authentication menu.

Note: The default username is “**cyber**” and the default password is “**cyber**”.

Option 2: DHCP Server

1. Ask your administrator if there is DHCP server on the LAN.
2. Make sure the DHCP is Enabled.
3. Make sure the network connection is ready and power on the PDU.
4. The PDU will obtain an IP address from the DHCP server automatically.

Option 3: Address Resolution Protocol (ARP) Command

1. Obtain the MAC address from the sticker on the PDU.
2. Open a command prompt as an administrator and type the following:
“arp -s [available IP address] [MAC address of PDU]”.
Example: arp -s 192.168.20.240 00-0c-15-80-00-01
IP Address MAC Address
3. Use the Ping command to assign a size of 123 bytes to the IP.
* Type in “ping 192.168.20.240 -l 123” then press **Enter**.
* If the replies are received, your computer can communicate with the IP address

Option 4: Hyper Terminal or Terminal Emulator

1. Use the included RJ45/DB9 serial port connection cable, attach one end to the serial port on the front of the PDU, and the other end to the PC/ server.
2. Open the Hyper Terminal software on your PC and select a name and icon for the connection.
3. Setup the COM port settings using the values indicated in Appendix A.
4. Press **Enter** to enter the Authentication menu.
5. Enter the user name and password of the PDU device at the Authentication menu.
6. Press **2** and **Enter** to access Network Settings to view the IP address.

Note: The default username is “**cyber**” and the default password is “**cyber**”. For further information and configuration via Hyper Terminal, see Appendix A- Hyper Terminal.

Operation

Remote Management

The remote management function provides monitoring of the PDU operational information, controlling outlets and utilizing SNMP functionality.

Web

Remote management can be performed via web interface. To access the web interface, please follow the instructions below:

1. Enter the IP address of the PDU into a web browser.
2. Enter the user name and password of the PDU device at the authentication screen.

Note: The default username is “**cyber**” and the default password is “**cyber**”.

For additional information about the features and functionality of CyberPower Management Console, please refer to the Intelligent PDU Web Interface User’s Manual available for download from www.cyberpower.com.

Telnet and SSH

The CyberPower PDU provides Telnet and Secure Shell (SSH) as Remote Management methods. Telnet uses user name and password as basic security while SSH has a higher security level with encryption of the transmitted packets including user name, password, and data. Configure the Setting of Telnet and SSH on the Web Interface. The default user name and password is **cyber; cyber**.

SNMP

The CyberPower PDU supports SNMPv1 and SNMPv3 protocols. Download the CyberPower MIB file from www.cyberpower.com and add it to an SNMP-supported management software. Default read/write community is **public/private** for SNMPv1. SNMPv3 provides a higher security level than SNMPv1 by encrypting the transmitted packet. Configure the settings of the SNMPv1/SNMPv3 on Web Interface.

Local Management

LCD Operation

The LCD screen provides instant information, such as voltage, current and power, for the PDU. In addition, users can use the interface to configure each PDU parameters and control each outlet on the Switched PDU. The LCD detects the installation orientation of the PDU (horizontally or vertically), therefore automatically rotates the screen to best fit the reading direction.

- A. Scroll Mode: The PDU information will display in following order automatically when “Scroll Mode On” is configured.

Device Information
Bank 1 Information (2U series)
Bank 2 Information (2U series)
Environment Status (Displays when the ENVIROSENSOR is connected)
Alert

- B. Main Menu Map

Alert	Current		
	Log		
Meter	Device		
	Bank		
	Outlet		
Control	Device	Immediate On Delay On	
	Bank 1/2	Immediate Off Delay Off	
	Outlet 1-N	Reboot	
		Delay Reboot	
	Setting	LCD	Color
Brightness			
Direction			
Screen off			
Reset		Account (User Name and Password)	
		Except TCP To Default	
Reboot			
About	Model Name		
	Serial Number		
	Network		
	Daisy Chain (Displays when the PDUs are connected)		
	Hardware Version		
	Firmware Version		

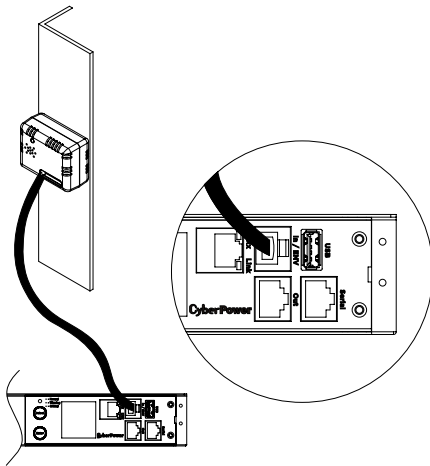
Operation

LED Indicators

Indicator	Status	Description
Status	Green	The PDU status is ok.
	Orange	Warning.
	Red	Critical.
Tx/Rx	Off	The PDU power is off.
	On (Green)	The PDU power is on.
	Flashing	Receiving/transmitting data packet. Reset finished.
LINK	On	Indicates the PDU is connected to the LAN.
	Off	Indicates the PDU is not connected to the LAN.
Outlet	On	The outlet is on and providing power.
	Off	The outlet is off.

Environmental Monitoring (optional)

CyberPower PDUs along with the environmental sensor (ENVIROSENSOR) provide temperature and humidity monitoring in a server closet and/or datacenter remotely. To connect the PDU with ENVIROSENSOR, use the RJ45 Ethernet Cable included with the ENVIROSENSOR. Plug one end into the Daisy Chain (In)/ENVIROSENSOR port on the PDU and the other end into the RJ45 port on the ENVIROSENSOR (as shown in figure below). When the PDU correctly connects to the ENVIROSENSOR, users can see the temperature and humidity data via the Web Interface. For further information regarding ENVIROSENSOR configuration, please refer to the Intelligent PDU Web Interface User's Manual.



Device Reset

- To locally reset all the settings to default, use Reset function in the LCD screen.
- To remotely reset all the settings to default, log in to the Web interface, enter the Reset page and apply the function.

Unattended/Automatic Shutdown

PowerPanel® Business Edition (Client) software automatically initiates a graceful shutdown on the connected computer's operating system. PowerPanel must be installed on every computer or server for which the shutdown is to take place. The computer will receive a message from the PDU, and will perform the shutdown according to the instructions provided, including shut downs at exact times and dates.

Step 1. Computer Configuration

1. Install PowerPanel® Business Edition Client on every computer or server that will be part of the shutdown process (Follow the instructions in the PowerPanel® Business Edition User Manual).
2. Configure the settings in PowerPanel® Business Edition Client. See the PowerPanel Business® Edition User Manual for detailed instructions.

Step 2. PDU Configuration

Verify that the IP address of all computers that will be part of the shutdown process, are included in the Client List on the web interface.

Operation

Step 3. Notification

Notifying the computers of potential outlet shutdown can be accomplished using the following functions:

- Outlets Control Menu: Performing the task of turning off or rebooting outlets.
- Scheduling Menu: Setting the PDU to perform the task of turning off or rebooting outlets. The notification will occur prior to the scheduled date/time.
- Outlet Overload: In the event of PDU overload, notification will be sent prior to the PDU shutting down.

Firmware Upgrade

By upgrading the Firmware, you can obtain new features and updates/improvements to existing functionality. To ensure the firmware is kept up to date, please regularly visit our website to see if there is any updated firmware version available. There are three methods for upgrading the PDU firmware. Please follow the instructions below for the method that is appropriate for your application. There are two files to update in order to upgrade the firmware version:

- * cpsmpdumafw_XXX.bin
- * cpsmpdumadata_XXX.bin

Note that the XXX is not part of the file name but is where the version number in the filename is given.

Prior to performing a firmware update, please:

- Download the latest firmware from www.cyberpower.com.
- Extract the downloaded firmware file to your local "C:\\" drive.

Note:

1. The FTP service needs to be enabled before attempting to execute a firmware upgrade.
2. Please do not turn the PDU off when performing the firmware upgrade. PDU outlets will remain powered on while the firmware update takes place. Only the PDU LCD screen will reboot.
3. The PDU LCD screen will reboot during the firmware update process. This DOES NOT cause the PDU outlets to reboot.

Option 1: Single Device Upgrade

Use the following steps to upgrade the firmware.

1. Open a command prompt window and navigate to "C:\\".
2. Login to the PDU with FTP command, type
 - C:\>ftp
 - ftp> open 192.168.22.126 21 (for example: 192.168.22.126 is the current IP of the PDU and 21 is the default ftp port for the PDU)
 - Connected to 192.168.22.126.
 - 220 CyberPower FTP Server Ready.
 - User (192.168.22.126:(none)):cyber
 - 331 User name okay, need password.
 - Password:
 - 230 User logged in, proceed.
 - ftp>
3. Upload the cpsmpdumafw_XXX.bin, type
 - ftp > bin
 - ftp > put cpsmpdumafw_XXX.bin
4. Upgrade complete, type
 - ftp > quit
5. The system will reboot after you type "quit". This reboot will take approx. 30 seconds.
6. Login to the PDU via FTP again, type
 - C:\>ftp
 - ftp> open 192.168.22.126 21 (for example: 192.168.22.126 is the current IP of the PDU and 21 is the default ftp port for the PDU)
 - Connected to 192.168.22.126.
 - 220 CyberPower FTP Server Ready.
 - User (192.168.22.126:(none)):cyber
 - 331 User name okay, need password.
 - Password:
 - 230 User logged in, proceed.
 - ftp>
7. Upload cpsmpdumadata_XXX.bin, type
 - ftp > bin
 - ftp > put cpsmpdumadata_XXX.bin

Firmware Upgrade

- Upgrade complete, type
- ftp > quit
- The system will reboot after you type “quit”.

Note: You can check to see if the firmware upgrade is successful by checking the “Firmware version” on the [System->About] screen via web UI.

Option 2: Single or Multiple Device Upgrade (recommended)
Use the following steps to upgrade the firmware.

- Download the **Upgrade and Configuration Utility** from www.cyberpower.com.
- Open **Upgrade and Configuration Utility** from Start > All Programs > CyberPower Upgrade and Configuration Utility.
- Wait for search to finish (Shown in Figure 1).

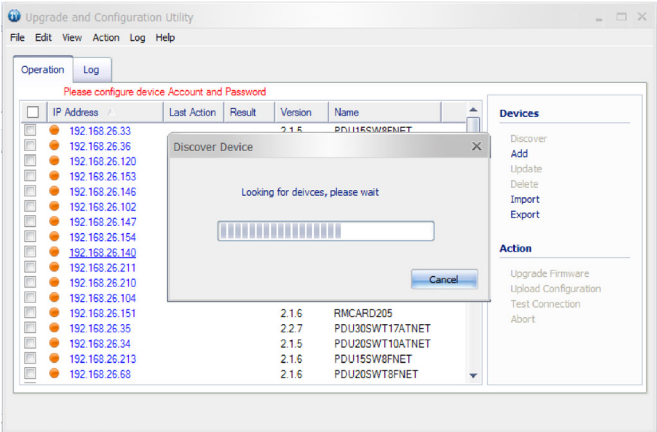


Figure 1

- Check the checkbox to select devices listed in the **Operation View** (Shown in Figure 2).

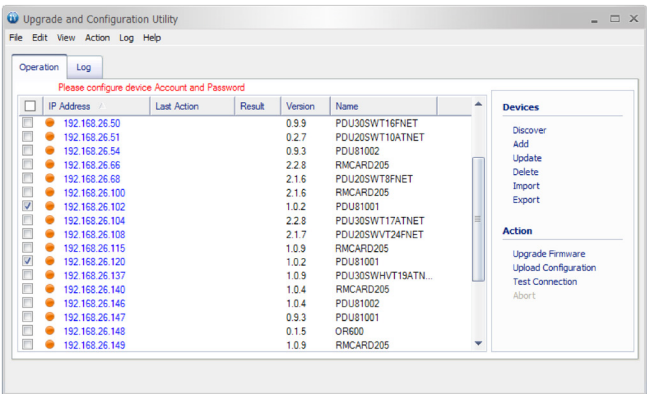


Figure 2

- Make sure **Account** and **Password** are valid on selected devices (Shown in Figure 3).

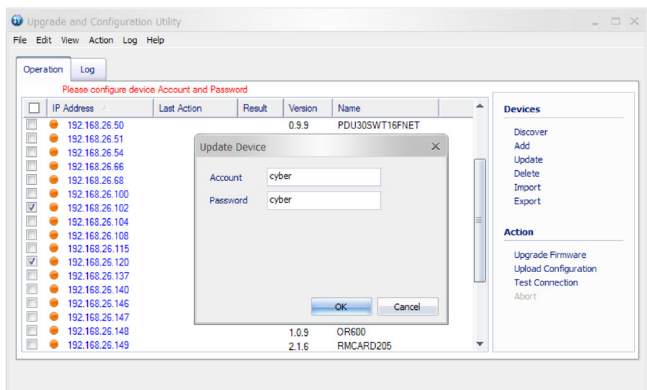


Figure 3

Firmware Upgrade

6. Select **Upgrade Firmware**.

7. Click **Browse** to locate and select the firmware and data file to be updated (Shown in Figure 4).

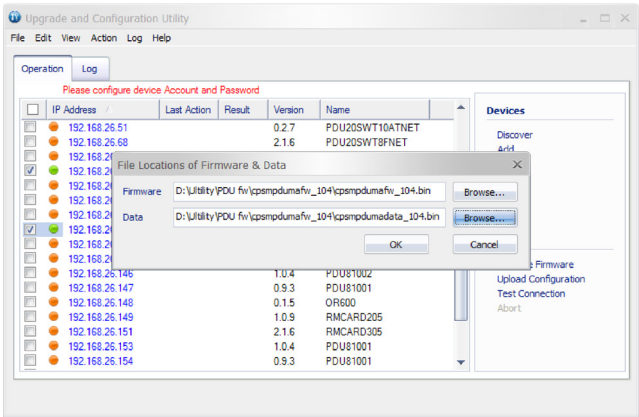


Figure 4

8. Click **OK** in the **Upgrade Firmware** confirmation window (Shown in Figure 5).

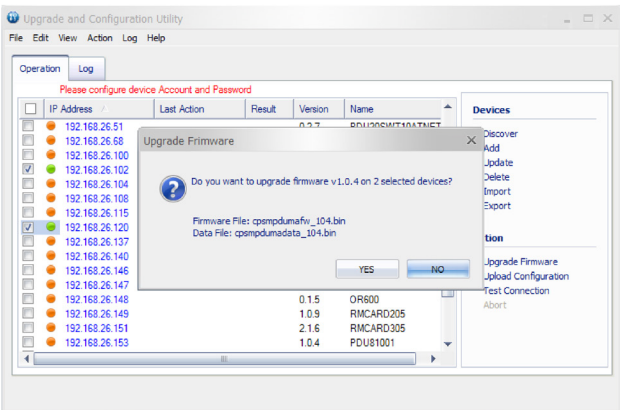


Figure 5

9. The upgrade progress bar will show in **Last Action** column (Shown in Figure 6).

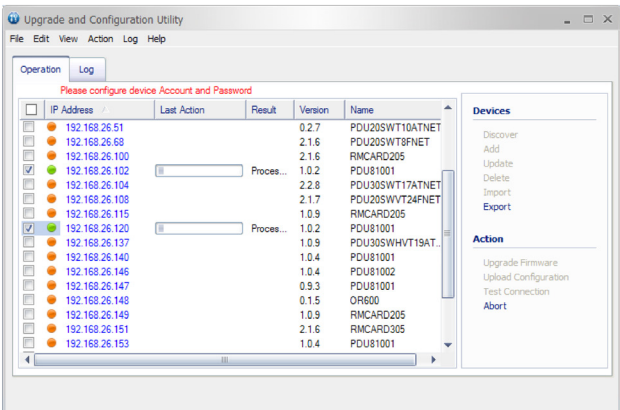


Figure 6

10. The result of firmware upgrade will show in **Result** column (Shown in Figure 7).

Firmware Upgrade

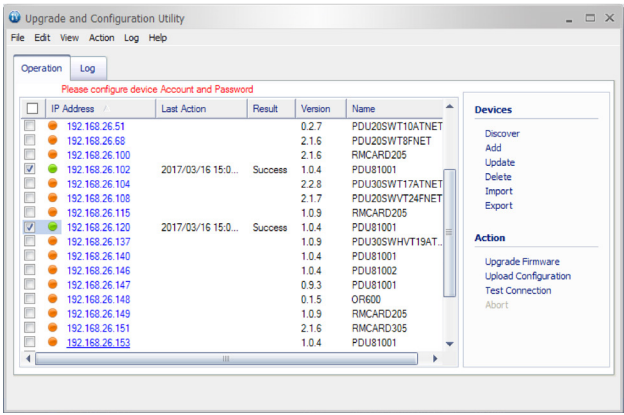


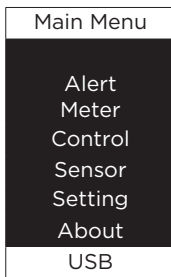
Figure 7

Note: If you don't want to wait for the firmware upgrade, you can stop action by choosing **Abort** in the **Action** menu. However, it's not recommended because **Abort** action may cause the device to malfunction.

Option 3: Use a USB Flash Drive

Use the following steps to upgrade the firmware.

1. Download the latest firmware from www.cyberpower.com.
2. Extract the file to the root directory of a USB flash drive with **FAT32 format**. Please note that the two files below should be available in order to complete the firmware upgrade process:
 - * cpsmpdumadata_xxx.bin
 - * cpsmpdumafw_xxx.bin
3. Plug the USB drive into the PDU USB port and press **Enter** button on the PDU LCD screen to enter **Main Menu**. The USB option will be displayed.



4. Select **USB** and press **Enter** button to enter **Firmware Upgrade** menu.
5. Select **Main** and **Yes** to start the upgrade process.



6. The PDU will reboot after the process is completed.

Note: You can check to see if the firmware upgrade is successful by checking the "Firmware version" on the [System->About] screen via web UI.

Troubleshooting

Problem	Possible Cause	Solution
PDU outlets do not provide power to connected equipment	1. Breaker tripped 2. Power cord is not properly plugged in	Reset Breaker, check the plug to insure its connected correctly. If the problem remains, contact technical support.
Amperage displayed on LCD screen exceeds the units capability	Overload	The load indicator shows red when overload. Reduce the load on the PDU until the overload is gone. If the problem remains, contact technical support.
Circuit breakers have tripped	1. Sustained overload 2. Excessive ambient or internal temperatures 3. Faulty breaker	Reset Breaker. If the problem remains, contact technical support.

Conformance Approvals

FCC Warning

WARNING!! Changes or modifications to this unit not expressly approved by the party responsible for compliance could void the user's authority to operate the equipment.

WARNING!! This equipment has been tested and found to comply with the limits for a Class A Digital Device, pursuant to Part 15 of the FCC Rules. These limits are designed to provide reasonable protection against harmful interference in residential installation. This equipment generates, uses and can radiate radio frequency energy and, if not installed and used in accordance with the instruction manual, may cause harmful interference to radio communications.

However, there is no guarantee that interference will not occur in a particular installation. If this equipment does cause harmful interference to radio or television reception, which can be determined by turning the equipment off and on, the user is encouraged to try to correct the interference by one or more of the following measures:

- Reorient or relocate the receiving antenna.
- Increase the separation between the equipment and receiver.
- Connect the equipment into an outlet on a circuit different from that to which the receiver is connected.
- Consult the dealer or an experienced radio/TV technician for help.

Notice: (1) An unshielded-type power cord is required in order to meet FCC emission limits and also to prevent interference to the nearby radio and television reception. It is essential that only the supplied power cord be used. (2) Use only shielded cables to connect I/O devices to this equipment.

Note: THE MANUFACTURER IS NOT RESPONSIBLE FOR ANY RADIO OR TV INTERFERENCE CAUSED BY UNAUTHORIZED MODIFICATIONS TO THIS EQUIPMENT. SUCH MODIFICATIONS COULD VOID THE USER'S AUTHORITY TO OPERATE THE EQUIPMENT.

The Class A digital apparatus meets all requirements of the Canadian Interference-Causing Equipment Regulation.

Cet appareil numérique de la class A respecte toutes les exigences du Reglement sur le materiel brouilleur du Canada.

European Union

This is a class A product. In a domestic environment this product may cause radio interference in which case the user may be required to take adequate measures.

Customer Service & Warranty

Product Registration

Thank you for purchasing a CyberPower product. Prompt product registration entitles coverage under the Limited Warranty and also allows the opportunity to be notified of product enhancements, upgrades, and other announcements.

Registration is quick and easy at www.cyberpowersystems.com/registration (for USA and Canada) or www.cyberpower.com/registration (for all other regions).

Cyber Power International

Feel free to contact our Tech Support department with installation, troubleshooting, or general product questions.

Cyber Power Systems, Inc.

Web: www.cyberpower.com

For USA and Canada:

4241 12th Ave East, Suite 400 Shakopee, MN55379

Toll-free: (877) 297-6937

For all other regions:

Please visit our website for local contact information.

Limited Warranty

Read the following terms and conditions carefully before using the CyberPower PDU series. By using the Product, you consent to be bound by and become a party to the terms and conditions of this Limited Warranty. If you do not agree to the terms and conditions of this Warranty, you should return the Product for a full refund prior to using it.

Who Is Providing This Warranty?

CyberPower Systems, Inc. provides this Limited Warranty.

What Does This Warranty Cover?

This warranty covers defects in materials and workmanship in the Product under normal use and conditions.

What Is the Period of Coverage?

For USA and Canada, CyberPower provides a 3-Year warranty to the original purchaser who owns the Product. For other regions, please contact your local CyberPower sales team for more information.

Who Is Covered?

This warranty only covers the original purchaser. Coverage ends if you sell or otherwise transfer the Product.

How Do You Get Service?

1. You can use the contact information mentioned above for instructions.
2. When you contact CyberPower, identify the Product and the Purchase Date.
3. You must provide a purchase receipt (or other proof of the original purchase) and provide a description of the defect.

What Will We Do To Correct Problems?

CyberPower will inspect and examine the Product. If the Product is defective in material or workmanship, CyberPower will repair or replace it at CyberPower's expense, or, if CyberPower is unable to or decides not to repair or replace the Product (if defective) within a reasonable time, CyberPower will refund to you the full purchase price you paid for the Product (purchase receipt showing price paid is required).

Who Pays for Shipping?

We pay when we send items to you; you pay when you send items to us.

What Are Some Things This Warranty Does Not Cover?

1. This Warranty does not cover any software that is damaged or needs to be replaced due to the failure of the Product or any data that is lost as a result of the failure or the restoration of data or records, or the re-installation of software.
2. This Warranty does not cover or apply to: misuse, modification, operation or storage outside environmental limits of the Product or the equipment connected to it, nor for damage while in transit or in storage, nor if there has been improper operation or maintenance, or use with items not designed or intended for use with the Product, such as laser printers, appliances, aquariums, medical or life support devices, etc.

What are the Limitations?

1. This Warranty does not apply unless the Product and the equipment that was connected to it were connected to properly wired and grounded outlets (including compliance with electrical and safety codes of the most current electrical code), without the use of any adapters or other connectors.
2. The Product must have been plugged directly into the power source and the equipment connected to the Product must be directly connected to the Product and not "daisy-chained" together in serial fashion with any extension cords, another Product or device similar to the Product, surge suppressor, or power tap. Any such installation voids the Limited Warranty.
3. The Product and equipment connected to it must have been used properly in a suitable and proper environment and in conformance with any license, instruction manual, or warnings provided with the Product and the equipment connected to it.
4. The Product must have been used at all times within the limitations on the Product's VA capacity.
5. The sole and exclusive remedies of the Initial Customer are those provided by this Warranty.

Appendix A-Hyper Terminal

Hyper Terminal software can be used for basic PDU configuration. In order for Hyper Terminal to interact with the PDU, the PC/server must be connected directly to the PDU via the serial port with the included RJ45/DB9 serial port connection cable. It utilizes a text-based interface and menu system. Navigation through the interface is done by typing the number of the menu option and pressing the Enter key. Setup the COM port settings using the following values.

- * Bits per second: 9600
- * Data bits: 8
- * Parity: None
- * Stop bits: 1
- * Flow control: None

Note: The session will timeout and logout after 3 minutes of inactivity. Menu options are shown below:

[Main Menu]

1. Outlet Manager (Switched PDU Series Only)
2. Network Settings
3. System Configuration
4. Account Settings
5. Configure System to Default
6. Logout

[Outlet Manager]

1. Outlet Control
2. Outlet Configuration

[Network Setting]

- Physical MAC Address: 00-0C-15-40-08-A9
1. System IP: 192.168.24.20
 2. Subnet Mask: 255.255.255.0
 3. Default Gateway: 192.168.24.254
 4. DHCP: Enabled
 5. Http Port: 80
 6. Http Access: Enabled

[System Configuration]

1. Date (mm/dd/yyyy) : 11/11/2011
2. Time (hh:mm:ss): 17:17:25
3. Name:PDU20SW8FNET
4. Contact: Administrator
5. Location: Server Room

[Account Setting]

1. Administrator
2. Viewer (Web Only)

[Configure System to Default]

- Sure to Configure System to Default
1. Yes
 2. No

Appendix B-Power Device Network Utility

Overview

The CyberPower Power Device Network Utility is an easy-to-use interface which is used for establishing IP addresses on CyberPower PDU devices.

Installation

Step 1. Download the Power Device Network Utility software from www.cyberpower.com.

Step 2. Select **Next** in the software wizard (Shown in Figure 1).

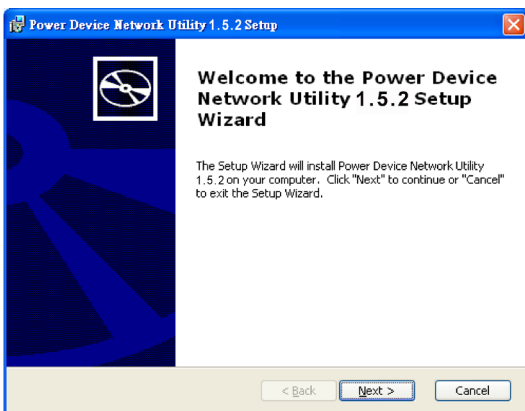


Figure 1

Appendix B-Power Device Network Utility

Step 3. Choose an installation directory. Select **Next** (Shown in Figure 2).

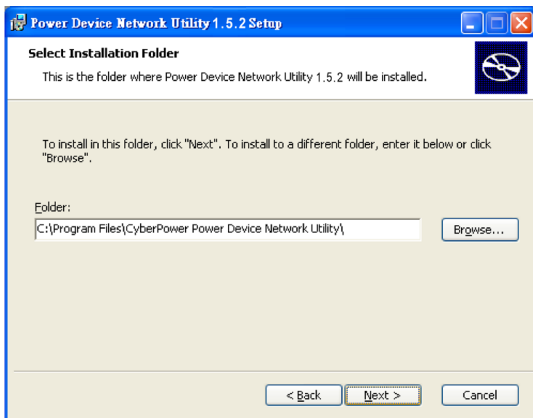


Figure 2

Step 4. Select **Install** to confirm the settings and install (Shown in Figure 3).

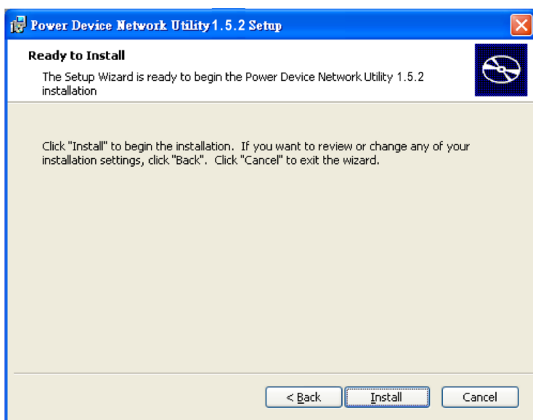


Figure 3

Step 5. Select **Finish** to finalize the installation (Shown in Figure 4).

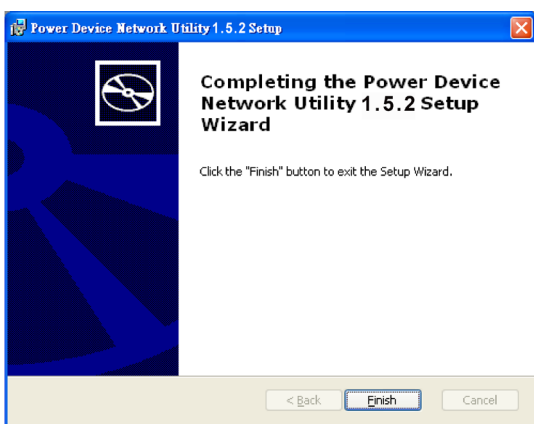


Figure 4

Appendix B-Power Device Network Utility

Launch Program

To launch the Power Device Network Utility and get started, select Programs from the Start menu in Windows and locate the new folder and icons for Power Device Network Utility. Select Power Device Network Utility from the program folder (Shown in Figure 5).

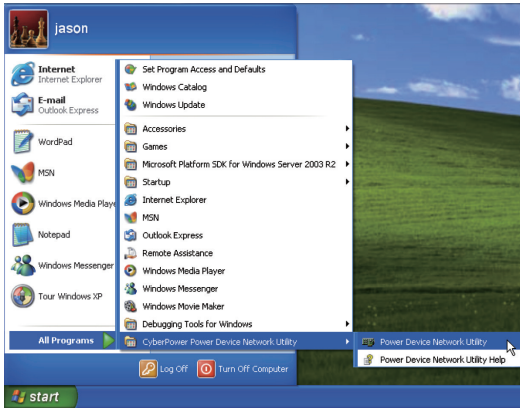


Figure 5. Power Device Network Utility

Getting Started

The Power Device Network Utility scans the network for devices with MAC addresses that match CyberPower network hardware. Once found, the device(s) can then be figured with a specific IP address, subnet mask, and gateway address. This allows the device(s) to function properly on the network and interface with CyberPower Management Console.

Step 1. Select the appropriate PDU device from the Equipment List (Shown in Figure 6).

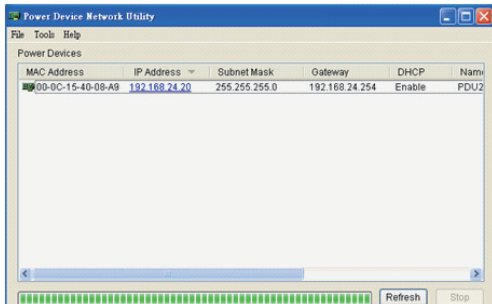


Figure 6. Equipment List

Note: If the PDU does not appear on the list, click the **Refresh** button to rescan the network. If it still does not appear, ensure that the PDU is turned on and was installed correctly. Pressing **Stop** will cancel the scan/refresh process.

Note: If your computer has a software firewall installed, you may see a Windows Security Alert message (Shown in Figure 7).

In Windows XP SP2, the default firewall alert message is shown as Figure 7. You need to allow the Power Device Network Utility access through the firewall. Click **Unblock** to allow access.



Figure 7. Windows Security Alert

Appendix B-Power Device Network Utility

Step 2. Assign a valid IP Address to the PDU

Option 1: Assisted Setup (recommended)

With the appropriate device selected from the Equipment List, open the Network Settings menu (Shown in Figure 8) [Tools=>Device Setup]. In the Device Network Setting Menu, enter a valid IP address, subnet mask, and gateway address to setup the PDU device.

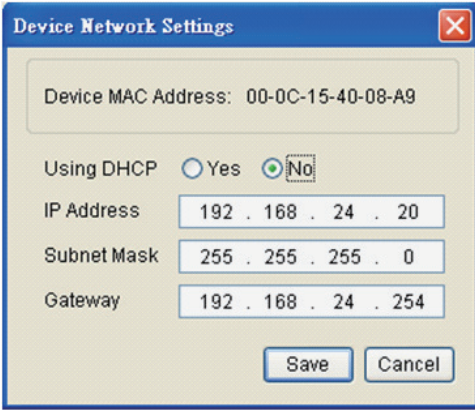


Figure 8. Network Setting Menu (Device Setup)

Note: The DHCP option is not available for all power devices.

Step 3. Authentication

Enter the user name and password of the PDU device at the Authentication menu (Shown in Figure 9).

Note: The default username is “**cyber**” and the default password is “**cyber**”.



Figure 9. Authentication screen

Advanced Settings

Timeout Settings

The Timeout Setting (Shown in Figure 10). [Edit=>Timeout Settings] is used to specify the wait time when scanning for network PDU devices. When there are many devices on the local network, it may take extended periods of time to locate all the devices. The timeout function is used to limit the search time.

The default setting is 3 seconds. Valid values are 3 to 60 seconds.

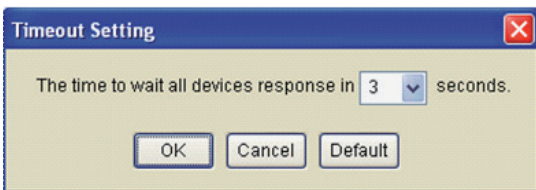
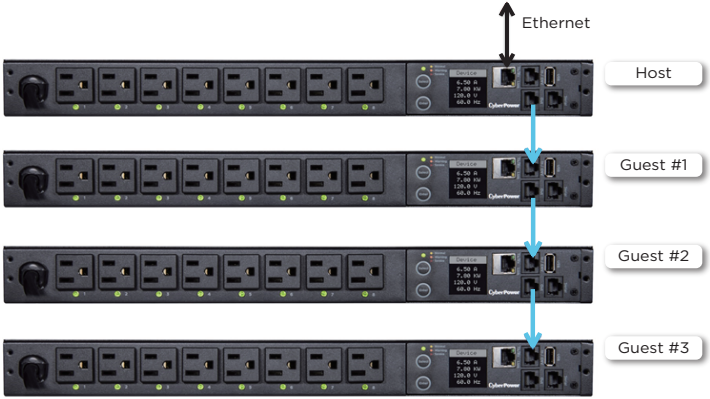


Figure 10. Timeout Setting

Appendix C-PDU Daisy-Chain Function

The daisy-chain function allows up to four PDUs to be connected together to be monitored and controlled from one IP address.

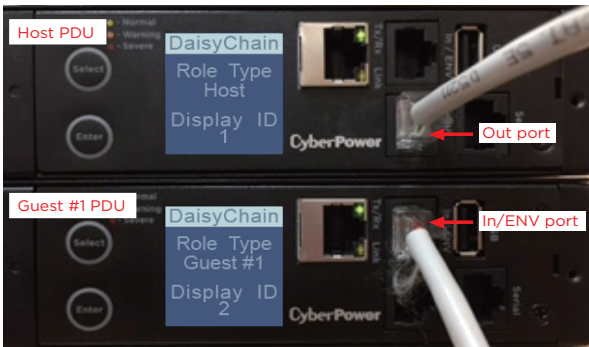


When PDUs are connected, two roles are defined: Host and Guest. Up to three Guest PDUs can be connected to one Host PDU. The Guest PDUs will be recognized by serial number and their order within the daisy-chain.

Note: To perform the daisy-chain function, the firmware version of the connected PDUs needs to be the same (v1.08 or above).

How to connect the PDUs together?

Use one Ethernet cable and connect one end of it to the daisy-chain (Out) port on the Host PDU and the other end to the daisy-chain (In/ENV) port on the Guest 1 PDU to connect the PDUs (as shown below).



What remote management protocols are supported in PDU daisy-chains?

Currently users can monitor and control daisy-chained PDUs through Web interface (HTTP/HTTPS) or SNMP protocols.

What functions on the Web pages does daisy-chain support?

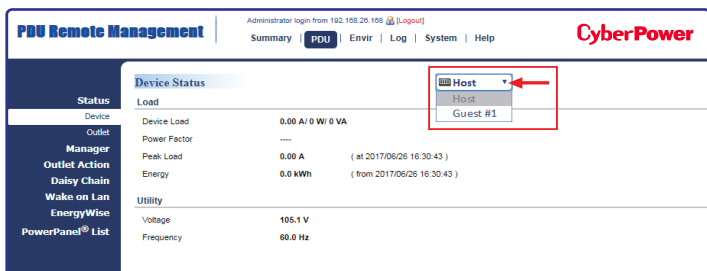
Please find in below table:

Summary	
PDU	Device Status
	Outlet Status
	Device Manager
	Outlet Manager
	Outlet Control
	Outlet Schedule
Log	Status Records
	Energy Records
	Graphing
System	Identification

Appendix C-PDU Daisy-Chain Function

How to switch between Host and Guest PDUs on the Web interface?

Functionality supported by daisy-chained PDUs will have the Host/ Guest # drop down menu displayed on the Web interface (as shown below).

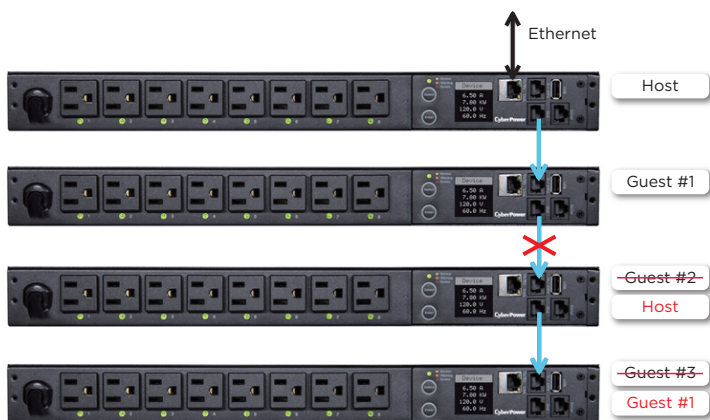


Can I upgrade the firmware version of the Guest PDUs through the Host PDU?

Yes, you can upgrade the firmware using the Upgrade and Configuration Utility, FTP (network connection required), or USB port. Once the Host completes the PDU firmware upgrade, it will trigger its Guest PDUs to upgrade the firmware automatically. It takes about 5 minutes for the Guest PDUs to upgrade, regardless of the number of PDUs in the series.

What will happen if an Ethernet cable is disconnected in the PDU daisy-chain?

For example, if four PDUs are connected and the cable connecting Guest 1 and 2 is disconnected, then Guest 2 and 3 will no longer be detected by the Host PDU. An event showing that Guest 2 and 3 are removed will be recorded in the Host PDU. Meanwhile, Guest 2 and 3 will create a new daisy-chain where Guest 2 becomes a Host and Guest 3 becomes Guest 1 to the new Host.



In the above example, if the disconnected Ethernet cable is re-connected, will the role of the PDUs stay the same?

Yes, when the disconnected cable between Guest 1 and 2 is re-connected, Guest 2 and 3 will revert to their previous roles.

What happens if one PDU in the daisy-chain is powered off?

For example, if four PDUs are connected and Guest 1 is powered off, an event showing that Guest 1, 2 and 3 are removed will be recorded in the Host PDU. Guest 2 and 3 will not create another daisy-chain.

Does the Host PDU record the logs of the Guest PDUs and itself?

Yes, the Host PDU records the logs from all Guest PDUs daisy-chained to it.

Will the Logs of the Guest PDUs recorded in the Host PDU be cleared if the Guest PDUs are removed from the Host PDU?

No, the Logs of the Guest PDUs will remain even after the Guest PDUs are removed.

Appendix C-PDU Daisy-Chain Function

Does the Host PDU record the Status Records of the Guest PDUs and itself?

Yes, the Host PDU records the Status Records for all the PDUs in the daisy-chain.

Will the Status Records of the Guest PDUs logged in the Host PDU be cleared if the Guest PDUs are disconnected from the Host PDU?

Yes, once the Guest PDUs are removed, the Status Records logged in the Host PDU will be cleared. As long as the Host PDU does not connect to other PDUs, the Status Records of the disconnected PDU can be displayed when it is re-connected to the Host PDU. If the Host PDU connects to different PDUs, the Status Records of the removed PDU will be entirely cleared.

Are the Guest PDUs able to connect to the network when they are daisy-chained?

Yes, even when the PDUs are daisy-chained, the Guest PDUs are able to connect to the network directly. Note that a Guest PDU will require having its own Ethernet cable connected to the network.

What will happen if a 5th PDU is added to a daisy-chain?

The maximum number of PDUs that can be connected in one daisy-chain is 4. The daisy-chain functionality will not work until the fifth PDU is removed.

What is the maximum recommended length of the Ethernet cable to daisy-chain the PDUs?

50 ft (15 m)

Troubleshooting

Problem	Possible Cause	Solution
The PDUs are connected but the daisy-chain function is not working.	<ul style="list-style-type: none">- The firmware version does not support daisy-chain.- The PDUs have different firmware versions.	Check the firmware version of each PDU and upgrade it to v1.08 or above.
I cannot set the EnergyWise configuration on a Guest PDU.	Only the Host PDU supports EnergyWise.	N/A
I cannot set the WoL for Guest PDUs.	Only the Host PDU supports WoL.	N/A



CyberPower

Cyber Power Systems, Inc.
www.cyberpower.com

Free Manuals Download Website

<http://myh66.com>

<http://usermanuals.us>

<http://www.somanuals.com>

<http://www.4manuals.cc>

<http://www.manual-lib.com>

<http://www.404manual.com>

<http://www.luxmanual.com>

<http://aubethermostatmanual.com>

Golf course search by state

<http://golfingnear.com>

Email search by domain

<http://emailbydomain.com>

Auto manuals search

<http://auto.somanuals.com>

TV manuals search

<http://tv.somanuals.com>