

DCS-6815/6817/6818

Version 1.1

High Speed Dome Network Camera

User Manual

Business Class Networking

Table of Contents

Product Overview	3	General	28
Package Contents	3	PTZ Sequence	30
System Requirements	3	PTZ Auto Pan	31
Introduction	4	PTZ Cruise	32
Features	4	PTZ Privacy Mask	33
Warnings	5	Recording	34
Hardware Installation	6	Snapshot	35
Basic Hardware Setup	6	Digital Output	36
Resetting the Camera	12	PTZ Preset	37
Standard or Mini Pendant Mount	13	Device Management	38
Ceiling Mounting - Straight Tube	14	Backup and Restore	39
Configuration	15	Firmware Upgrade	40
Installation Wizard	15	Device Info	41
Access the DCS-6815/6817/6818 with an Internet Browser	16	DI/DO Pin Block Specifications	42
Live Video	17	Digital Input Diagram	43
Internet Connection Setup Wizard	19	Digital Output Diagram	44
Motion Detection Setup Wizard	21	Troubleshooting	45
Dynamic DNS	22	Networking Basics	47
Color Setting	23	Check your IP Address	47
Image Setup	24	Statically Assign an IP Address	48
Motion Detection	25	Technical Specifications	49
Time and Date	26		
D/I Setup (Digital Input)	27		
PTZ Setup	28		

Package Contents

- DCS-6815/6817/6818 High Speed Dome Network Camera
- Data Cable for Video, Alarm, and Power (AC 24V)
- Power Adapter
- Power Cable
- Waterproof Collar
- Optical Cover
- Manual and Software on CD
- Quick Installation Guide
- Screws
- Lubricant

If any of the above items are missing, please contact your reseller.

System Requirements

- CPU: Pentium 4 1.4GHz or above
- Hard Disk: 40GB or above
- Memory: 256MB or above
- Browser: Internet Explorer 6.0 or above
- Video Resolution: SVGA or XGA (1024x768 or above)

Introduction

The DCS-6815/6817/6818 High Speed High Speed Dome Network Camera is a professional IP surveillance solution which connect to your network to provide high-quality live video over the Internet. The camera apparatus supports precise high-speed pan/tilt/zoom functionality for extensive monitoring, and object tracking. The inconspicuous dome enclosure can be mounted in a variety of positions based on your needs.

Features

Real-time MPEG-4 / MJPEG Compression (Selectable)

The IP speed Dome Camera supports two selectable compression formats (MPEG-4/MJPEG), but only one setting can be used at a time.

Up to 30fps at D1 Resolution

The IP speed Dome Camera supports up to 30fps (NTSC) or 25fps (PAL) at D1 resolution.

Motion Detection

Users can specify detection areas from a 3x3 grid and adjust the sensitivity to fit the operating environment.

Supports Multiple Connections

The IP speed Dome Camera allows multiple users to log in via the IE browser. Maximum 10 accounts can be set for one camera.

Upgrade from Internet

Users can upgrade to the latest software version via the Internet.

Warnings

Handle the camera with care.

Do not abuse the camera. Avoid striking, shaking, or otherwise disturbing the enclosure. Improper handling or storage may damage the camera.

Install electrical wiring carefully.

Consult a qualified electrician regarding camera installation. Please note that the camera's electrical input tolerance is AC 24V \pm 10%. Ensure that the AC adapter's power cable is grounded appropriately to protect against power surges.

Do not disassemble the camera.

To prevent electric shock, do not remove screws or covers. Consult D-Link regarding service if necessary.

Do not block the cooling holes on the bracket.

This camera has a cooling fan inside. Blocking the cooling holes will lead to overheating and may cause damage.

Do not operate the camera beyond the specified temperature, humidity or power source ratings.

Use the camera under conditions where the temperature is between -40°C ~ 50°C (-40°F ~ 122°F), and relative humidity is below 80%.

Do not use strong or abrasive detergents when cleaning the camera body.

Use a dry cloth to clean the camera when it is dirty. A mild detergent can be used if necessary.

Never aim the camera towards the sun.

Never aim the camera at the sun or other extremely bright light sources, even when the camera is not in use. Doing so may cause damage to the camera's sensors.

Hardware Installation

Basic Hardware Setup

STEP 1

Unpack the DCS-6815/6817/6818 and remove the dome camera unit.



STEP 2

Rotate the cap and remove it from the camera body.



STEP 3

Remove the protective cover and PE sheet.



STEP 4

Apply some lubricant on the cover's waterproof seal to make the installation process smoother. Attach the optical cover to the camera body.



The small protrusions on the cover must align with the four holes on the camera body.



STEP 5

Gently press down the dome cover with two hands on the side of it.



Warning: DO NOT press down on the cover, as shown in the figure; this might cause damage to the camera.



STEP 6

Screw the dome cover and body together.



STEP 7

Insert the data cable into the opening on the cap.



STEP 8

Connect the 22-pin connector to the slot on the camera enclosure. The connector will lock into place.



STEP 9

Connect the power cable to the power adapter.



STEP 10

Connect the power adapter's 3-pin connector to the camera's 3-pin power connector.



STEP 11

Connect one end of the CAT 5 Ethernet cable to the RJ-45 connector of the camera enclosure, and the other end of the cable to your network.



STEP 12

Plug the power cable into a wall outlet.

Important Notice:

The DCS-6815/6817/6818 can operate at temperatures between -40° and 50° C. However, the power adapter is only designed to operate between 0° and 40° C. For locations which will experience temperatures outside of this range, the camera may need to draw power from a difference source, such as a building's emergency/backup power system.

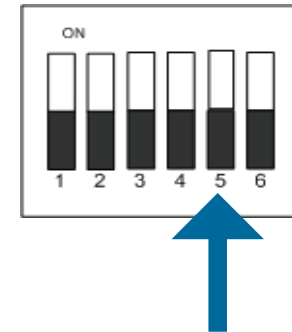
Resetting the Camera

The DCS-6815/6817/6818 contains both digital and mechanical components. Thus, if any problems are experienced with the camera, there are two different reset options depending on the type of problem.

Mechanical Reset

If the mechanical PTZ controls ever stop responding or seem to be locked up, you may reset the mechanical portion of the camera using the communication pin array at the base of the device.

1. Use a small tool to move switch 5 to the “off” position.
2. Plug the camera in for one minute and allow the device to initialize.
3. Return the pin back to its original “on” position.
4. Plug in the camera, and the device should successfully initialize.



Digital Reset

If the camera’s web user interface ever becomes unresponsive, or if the administrator password is forgotten, it may become necessary to reset the device firmware to its original factory settings.

1. Press and hold the green button on the base of the camera for 10 seconds.
2. Allow a few minutes for the camera to re-initialize factory default settings.



Standard or Mini Pendant Mount

Follow the steps below to mount the camera enclosure with the pendant mount.

1. Make a cable entry hole on the wall to recess the cables. Alternatively, cables can be threaded through the cable entry hole on the mounting plate.
2. To prevent insects from entering the pendant mount, you may block the cable entry hole with the supplied sponge in two different ways. (See figures 1 and 2.)
3. Thread the cables through the pendant mount and affix the pendant mount on the wall with screws and screw anchors (not supplied).
4. Attach the waterproof collar to the pendant mount.
5. Thread the cables through the cap and affix it to the pendant mount with the supplied screws and washers.
6. Connect the cables to the camera enclosure. Attach the camera enclosure to the mount and affix it with the supplied bolt.

Note: After threading the cables, please block the cable entry hole with the supplied sponges to prevent insects from entering the tube.

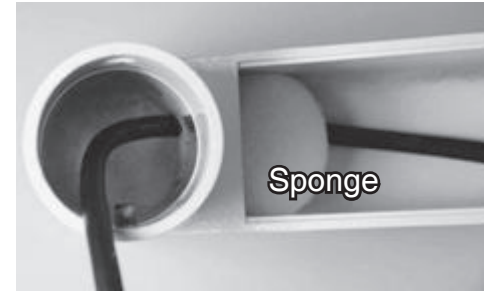


Figure 1

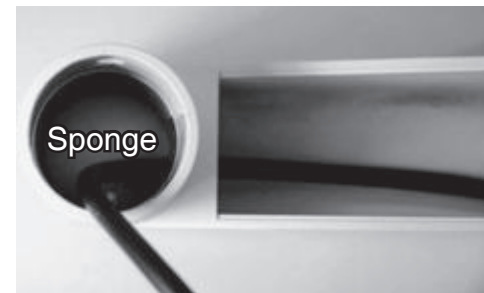
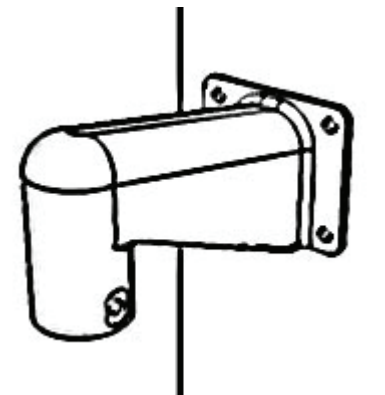


Figure 2

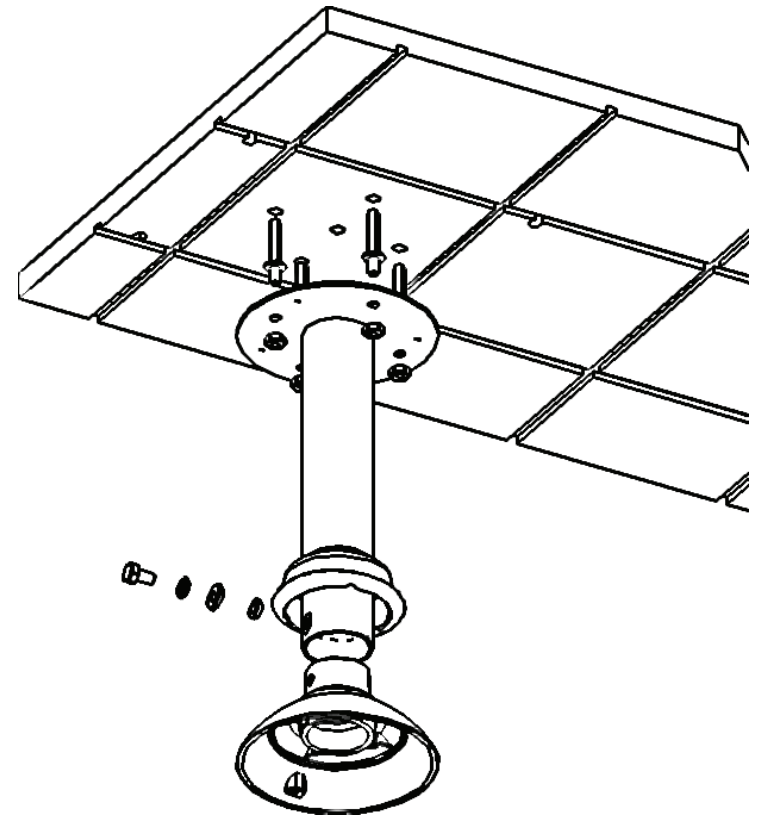


Ceiling Mounting - Straight Tube

Follow the steps below to mount the camera enclosure with the straight tube.

1. Ensure that the ceiling can support the weight of the camera enclosure and straight tube.
2. Make a cable entry hole on the ceiling.
3. Affix the straight tube to the ceiling with screws and screw anchors (not supplied).
4. Attach the waterproof collar to the straight tube.
5. Thread the cables through the straight tube and the cap.
6. Affix the cap to the straight tube with the supplied screws and washers. Attach the waterproof collar around the junction of the straight tube and cap.
7. Connect the cables to the camera enclosure. Attach the camera enclosure to the cap and affix it with the supplied bolt.

Note: After threading the cables, please block the cable entry hole with the supplied sponges to prevent insects from entering the tube.



Configuration

Turn on the computer and Insert the D-Link DCS-6815/6817/6818 Driver CD in the CD-ROM drive. The step-by-step instructions will help you to search and setup your IP camera smoothly and quickly.

If the CD Autorun function does not automatically start on your computer, click Windows® Start > Run. In the Run command box type “D:\DCS861#.exe”, where # is the last number of your model and D: represents the drive letter of your CD-ROM. If it does start, proceed to the next screen.

Installation Wizard



Access the DCS-6815/6817/6818 with an Internet Browser

Open your Internet Explorer Web browser and enter the IP address for your Internet Camera (<http://192.168.0.20>).

In the example, this address is 192.168.0.20. Your address may differ depending on your network setup.

If a window appears asking to install a Verisign certificate for authentication click Yes. This allows the proprietary MPEG4 video stream to be recognized by Internet Explorer.



Live Video

This page displays live video and allows you to adjust and save camera images.

Note: You may need to enable pop-ups on this page to use certain functions such as AutoPan, Sequence, and Presets.

OSD: (On screen Display) The date, time, and camera name are displayed at the top left corner of the live video display.

Motion Trigger Indicator: This indicator blinks when motion is detected.

Recording Indicator: This indicator blinks when the camera is recording.

Digital Input Indicator: These indicators blink when digital input is received.

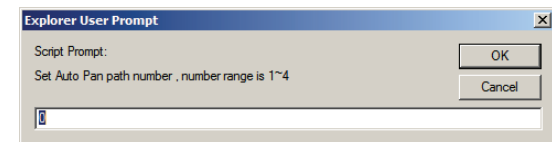
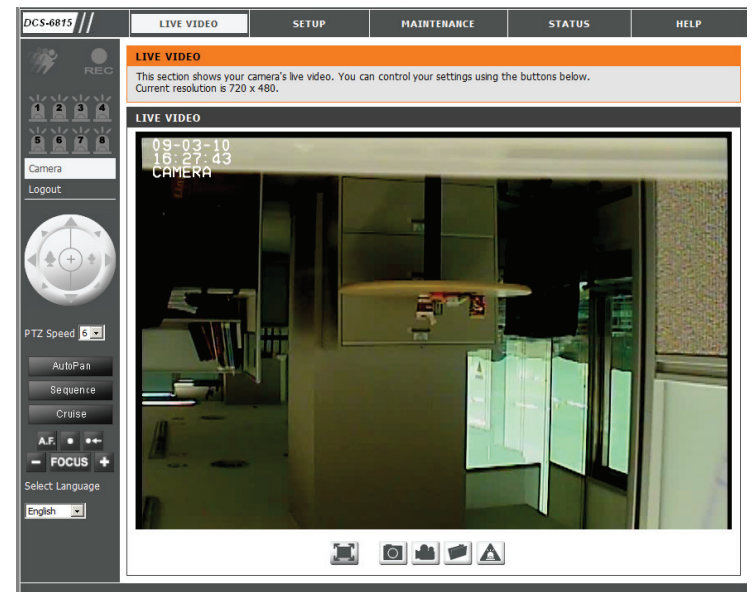
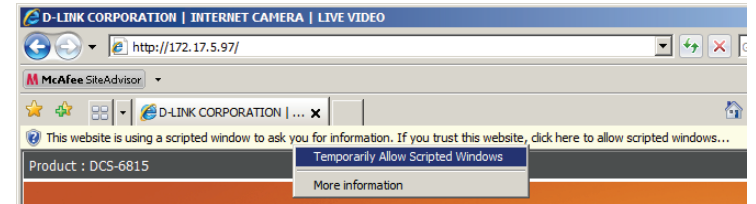
Navigation Pad: (Up/Down/Left/Right/Home Zoom In/Zoom Out) The navigation pad is used to carry out pan, tilt, and zoom functions. The camera can be aimed and the image adjusted using this pad.

Note: The **Home** position of the dome camera is the 256th preset point. This position is not configured by default. Please see the next page for information about how to configure preset points.

PTZ Speed: There are 8 speeds for PTZ control - 1 is the slowest and 8 is the fastest.

AutoPan: Starts a pre-defined AutoPan movement.

Sequence: Starts a pre-defined sequence movement.



Cruise: Starts a pre-defined cruise movement.



Autofocus: Click this button to enable automatic focus.



Set Preset: Move the camera to the desired view using the P/T/Z controls and click this button to create a preset point. Designate the preset with a number between 1 and 256. The 256th preset point corresponds to the **Home** position.



Run Preset: Returns the camera to a specified preset point.

Focus (-/+): Manually focuses the camera image.

Language: You may select **English** or **Traditional Chinese**.

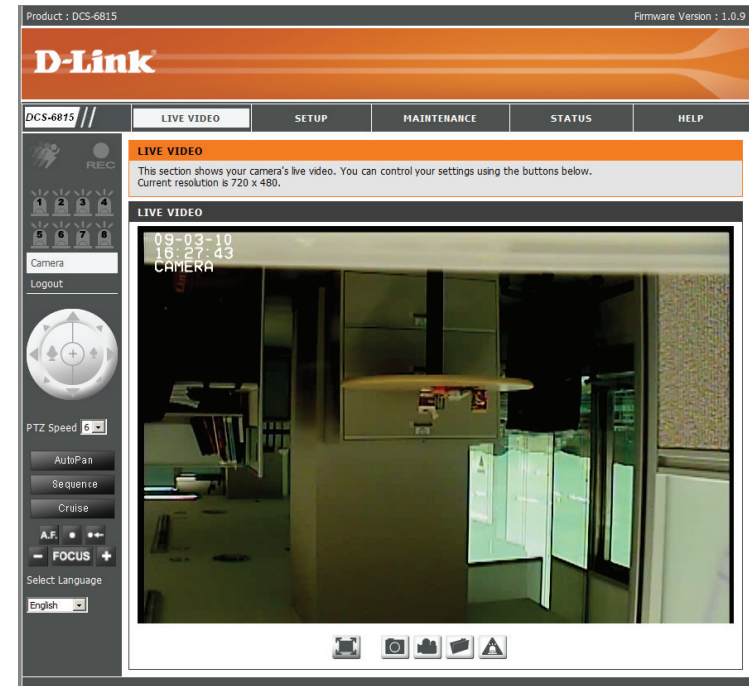
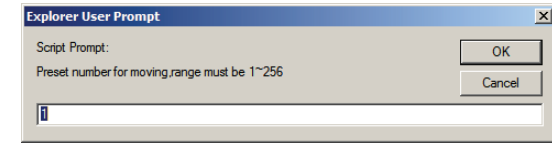
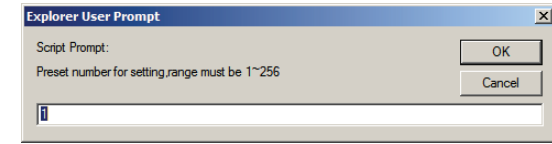
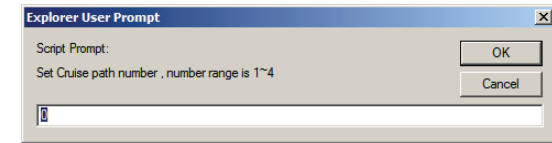
Fullscreen: Loads the live camera image in fullscreen.

Snapshot: Saves a snapshot of the image to the specified location.

Start/Stop Recording: Begins recording to the specified location. Pressing this button a second time will stop the recording.

Set Storage Folder: Designates a folder where snapshots and video will be saved.

Start/Stop Digital Output: Sends a signal to the attached digital device.



Internet Connection Setup Wizard

You may choose to configure your network by using the **Internet Connection Setup Wizard** which includes step-by-step instructions. Otherwise, you may manually configure your connection using the **Manual Internet Connection Setup**.

This wizard will guide you through a step-by-step process to configure your new DCS-6815/6817/6818 and connect it to the Internet.

Click **Next** to proceed.

Click **Next**

WELCOME TO D-LINK SETUP WIZARD - INTERNET CONNECTION SETUP

This wizard will guide you through a step-by-step process to configure your new D-Link Camera and connect the camera to the internet. To set-up your camera motion detection settings, please click Back button to close this wizard and re-open the motion detection setup wizard.

- Step 1: Setup LAN Settings
- Step 2: Setup DDNS Settings
- Step 3: Camera Name Settings
- Step 4: Setup Time Zone

Next Cancel

You may configure your camera using:

DHCP Connection (by default), where your DHCP server will automatically assign dynamic IP to your device.

Static IP Address, where an IP address is assigned manually.

PPPoE connection, where your camera is directly connected to the Internet through a DSL modem.

Input the DNS information if you have chosen and assigned a Static IP Address for your camera.

Click **Next** to proceed.

Click **Next**

STEP 1: SETUP LAN SETTINGS

Please select whether your camera will connect to the Internet with a DHCP connection or Static IP address. If your camera is connected to a router, or you are unsure which settings to pick, D-Link recommends that you keep the default selection of DHCP connection. Otherwise, click on Static IP address to manually assign an IP address before clicking on the Next button.

LAN

- Dynamic IP
 Static IP

IP Address

Subnet Mask

Gateway

Default DNS

- Enable PPPoE

User ID

User Password

Verify Password

MTU

DNS Server Manual Auto

DNS

Next Cancel

If you have a Dynamic DNS account and would like the camera to update your IP address automatically, enable **DDNS** and enter your host information.

Click **Next** to proceed.

Click **Next**

STEP 2: SETUP DDNS SETTINGS

If you have a Dynamic DNS account and would like the camera to update your IP address automatically, enable DDNS and enter in your host information below. Please click on the Next button to continue.

Enable

Service Address <<

Timeout (hour)

Host Name

Username

Password

Verify Password

Enter a name for your camera.

Then, click **Next** to proceed.

Click **Next**

STEP 3: CAMERA NAME SETTINGS

D-Link recommends that you rename your camera for easy accessibility. You can then identify and connect to your camera via this name. Please assign a name of your choice before clicking on the Next button.

Camera Name 8 characters maximum

Configure the correct time to ensure that all events are triggered, captured and scheduled at the right time.

Then, click **Next** to proceed.

Click **Next**

STEP 4: SETUP TIME ZONE

Please configure the correct time to ensure that all events are triggered, captured and scheduled at the correct time and day and then click on the Next button.

Time Zone

This page displays your configured settings.

Click **Apply** to save and activate the setting, or **Back** to change your settings.

Click **Apply**

STEP 5: SETUP COMPLETE

Below is a summary of your camera settings. Click on the Back button to review or modify settings or click on the Apply button if all settings are correct. It is recommended to note down these settings in order to access your camera on the network or via your web browser.

IP Address	DHCP
Camera Name	DCS-6815
Time Zone	(GMT +08:00) Taipei
Dynamic DNS	Disable

Motion Detection Setup Wizard

You may choose to configure your camera with the **Motion Detection Setup Wizard** which includes step-by-step instructions. Otherwise, you may manually configure your connection by using the **Motion Detection** option from the Setup menu.

This wizard will guide you through a step-by-step process to configure motion detection settings. Please see page 26 for more information on these individual settings.

Dynamic DNS

Dynamic DNS allows you to use a domain name (for example, yourhost.dyndns.org) to access a camera which operates using a dynamic IP address. Most internet service suppliers only provide customers with a dynamic IP address.

Enable: Select this box to enable DDNS functionality.

Service Address: Use the drop-down menu to assign your dynamic DNS service.

Host Name: Enter the host name of the DDNS server.

Timeout: Set the timeout period the camera will wait between IP updates to the dynamic DNS server.

Username: Enter the username for the DDNS host.

Password: Enter the password or key for your DDNS account.

Verify Password: Reenter the password or key for the DDNS account.

DCS-6815 //	LIVE VIDEO	SETUP	MAINTENANCE	STATUS
Setup Wizard				
Network Setup				
Dynamic DNS				
Color Setting				
Image Setup				
Motion Detection				
Time and Date				
DI Setup				
PTZ Setup				
Recording				
Snapshot				
Digital Output				
PTZ Preset				
Logout				

DYNAMIC DNS

The Dynamic DNS feature allows you to use a domain name that you have purchased (www.yourdomain.com) to access your camera with a dynamically assigned IP address. Most broadband Internet service providers assign dynamic (changing) IP addresses. By using a DDNS service, you can enter your domain name to connect to your camera no matter what your IP address is.

[Sign up for D-Link's Free DDNS service at www.DLinkDDNS.com.](http://www.dlinkddns.com)

DYNAMIC DNS

Enable

Service Address <<

Timeout (hour)

Host Name

Username

Password

Verify Password

Color Setting

This section allows you to configure the color settings for your camera.

Brightness: Adjust this control to compensate for brightly backlit camera images.

Contrast: Adjust this control to increase/decrease the color contrast of the camera image.

Saturation: Adjust this control to increase/decrease the color saturation of the picture.

Hue: Adjust this control to change the overall color of the image.

The screenshot displays the web interface for a DCS-6815 camera. The top navigation bar includes 'LIVE VIDEO', 'SETUP', 'MAINTENANCE', and 'STATUS'. The 'SETUP' menu is expanded, showing options like Setup Wizard, Network Setup, Dynamic DNS, Color Setting (selected), Image Setup, Motion Detection, Time and Date, DI Setup, PTZ Setup, Recording, Snapshot, Digital Output, PTZ Preset, and Logout. The main content area is titled 'COLOR SETTING' and features a live video feed showing an indoor scene. Below the video, the 'COLOR SETTING' section contains four adjustable parameters:

Parameter	Value	Range
Brightness	90	0 ~ 255
Contrast	70	20 ~ 127
Saturation	90	0 ~ 127
Hue	0	0 ~ 255

At the bottom of the settings section, there are two buttons: 'Save Setting' and 'Don't Save Setting'.

Image Setup

Adjustments to these settings will affect the amount of network resources that the camera will use.

Video Compression Type: You may designate MPEG4 or MJPEG as the compression type for the video stream.

Resolution: You may enable this option to alter the resolution of the real-time video stream. The options include:
 NTSC: D1 (720x480), CIF (352x240), QCIF (176x120)
 PAL: D1 (720x576), CIF (352x288), QCIF (176x144)

Bitrate Type: This setting can be used to assign an appropriate bitrate type for the camera. A lower bitrate uses fewer network resources, but produces a lower quality image.

Frame Per Sec: This option controls the number of frames displayed per second for video streaming.

GOP Size: Enable this option to adjust the smoothness of streaming video. The options include 1 * FPS and 2 * FPS. A larger number may produce a smoother picture.

The screenshot shows the 'IMAGE SETUP' configuration page for a DCS-6815 camera. The interface includes a navigation menu on the left with options like Setup Wizard, Network Setup, Dynamic DNS, Color Setting, Image Setup (selected), Motion Detection, Time and Date, DI Setup, PTZ Setup, Recording, Snapshot, Digital Output, PTZ Preset, and Logout. The main content area is titled 'IMAGE SETUP' and contains the following settings:

- Video Compression Type: MPEG4
- Resolution: D1
- Frame Type: IP Only
- Bitrate Type: Constant Bitrate Variable Bitrate
- Frame Per Sec: 30
- GOP Size: 60

There are 'Save Setting' and 'Don't Save Setting' buttons at the bottom of the configuration area.

Motion Detection

This section allows you to enable and configure motion detection areas.

Enable: Select this checkbox to enable motion detection.

Enable Type: You may choose to always use motion detection, or only on certain days at specific intervals.

Schedule Days: For scheduled recording, you may choose which days of the week to record.

Start Time: Select the time when the motion detection should begin.

Stop Time: Select the time when the motion detection should stop.

Detect Area: The viewing area is divided into nine numbered blocks. Click on a block to select it for motion detection. Areas designated for motion detection will appear in red.

Sensitivity: Defines the basic sensitivity of the motion detection. Adjust this value first. Low values mean that minor motions lasting only a short time will not trigger the alarm. Acceptable values are between 1 and 100.

The screenshot shows the 'MOTION DETECTION' configuration page for a DCS-6815 device. The interface is divided into several sections:

- Navigation Menu (Left):** Includes Setup Wizard, Network Setup, Dynamic DNS, Color Setting, Image Setup, Motion Detection (selected), Time and Date, DI Setup, PTZ Setup, Recording, Snapshot, Digital Output, PTZ Preset, and Logout.
- Main Configuration Area:**
 - Enable:** A checkbox is checked.
 - Enable Type:** A dropdown menu is set to 'Always'.
 - Schedule Days:** A list of days with checkboxes: Monday, Tuesday, Wednesday, Thursday, Friday, Saturday, and Sunday.
 - Start Time:** Set to 8:00.
 - Stop Time:** Set to 18:00.
 - Detect Area:** A video feed of a room is overlaid with a 3x3 grid of numbered blocks (1-9). Block 1 is highlighted in red, indicating it is selected for motion detection.
 - Sensitivity:** A numeric input field is set to 20, with a range of 1 to 100.
- Helpful Hints (Right):**
 - Enable:** Select this item to enable motion detection.
 - Enable Type:** Select this item to enable schedule type.
 - Detect Area:** Select this item to enable detection area.
 - Sensitivity:** You may enable this item to set the sensitivity condition of triggering motion detection. The available range is 1 to 100.
 - Motion Vector:** You may enable this item to set the motion vector condition of triggering motion detection. The available range is 3750 to 4650.
 - SAD:** You may enable this item to set the sad condition of triggering motion detection. The available range is 20 to 150.

Time and Date

This section allows you to set the system time on the camera.

Server Time: Displays the time on server as it is currently set.

Time Zone: Select a time zone in accordance with the location of the camera.

Client PC Time: Set the time and date based on your computer's system time.

Time Server: Set the time and date automatically based on a Network Time Protocol Server (NTPS). The options include pool.ntp.org server and time.windows.com server.

DCS-6815 //	LIVE VIDEO	SETUP	MAINTENANCE	STATUS
Setup Wizard	TIME AND DATE			
Network Setup	You can set the current time for the camera.			
Dynamic DNS	<input type="button" value="Save Setting"/> <input type="button" value="Don't Save Setting"/>			
Color Setting	TIME AND DATE			
Image Setup	Server Time <input type="text" value="2009-03-10 16:33:20"/>			
Motion Detection	Time Zone <input type="text" value="(GMT +08:00) Taipei"/>			
Time and Date	<input checked="" type="radio"/> Client PC Time <input type="text" value="2009"/> - <input type="text" value="3"/> - <input type="text" value="10"/> <input type="text" value="16"/> : <input type="text" value="32"/> : <input type="text" value="48"/>			
D1 Setup	<input type="radio"/> Time Server <input type="text" value="time.windows.com"/>			
PTZ Setup	<input type="button" value="Save Setting"/> <input type="button" value="Don't Save Setting"/>			
Recording				
Snapshot				
Digital Output				
PTZ Preset				
Logout				

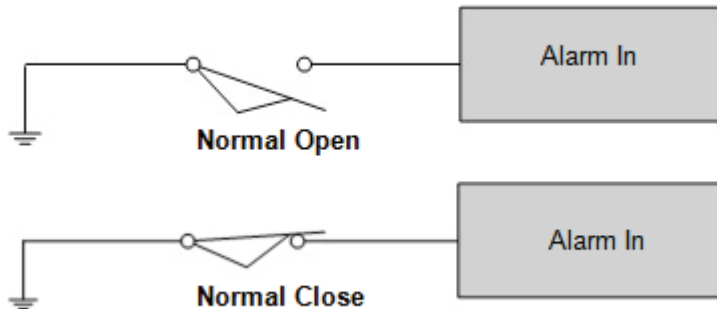
D/I Setup (Digital Input)

The camera provides eight alarm inputs and one alarm output to connect alarm devices. With this function, the camera can cooperate with alarm system to catch event images.

No. # DI Type: **Normal Open** is for digital input that is activated when the circuit is closed.

Normal Close is for digital input that is activated when the circuit is opened.

For example: Connect the Alarm input terminal to ALM GND to activate [NC] or floating (unconnected) [NO] to deactivate



DCS-6815	LIVE VIDEO	SETUP	MAINTENANCE	STATUS
Setup Wizard				
Network Setup				
Dynamic DNS				
Color Setting				
Image Setup				
Motion Detection				
Time and Date				
DI Setup				
PTZ Setup				
Recording				
Snapshot				
Digital Output				
PTZ Preset				
Logout				

DI SETUP

The integrated high speed dome provides eight digital inputs and one digital output (N.O. or N.C) to connect alarm devices. With this function, the dome can cooperate with alarm system to catch events' images. For wiring, please refer to the installation guide and/or qualified service personnel.

DI SETUP

No. 1 DI Type:	<input type="radio"/> Normal Open	<input type="radio"/> Normal Close
No. 2 DI Type:	<input type="radio"/> Normal Open	<input type="radio"/> Normal Close
No. 3 DI Type:	<input type="radio"/> Normal Open	<input type="radio"/> Normal Close
No. 4 DI Type:	<input type="radio"/> Normal Open	<input type="radio"/> Normal Close
No. 5 DI Type:	<input type="radio"/> Normal Open	<input type="radio"/> Normal Close
No. 6 DI Type:	<input type="radio"/> Normal Open	<input type="radio"/> Normal Close
No. 7 DI Type:	<input type="radio"/> Normal Open	<input type="radio"/> Normal Close
No. 8 DI Type:	<input type="radio"/> Normal Open	<input type="radio"/> Normal Close

PTZ Setup

General

This section contains general settings for pan, tilt, and zoom functions.

Backlight: Select this box to enable backlight compensation. The backlight compensation function prevents the center object from appearing too dim when excessive light is behind an object. Once activated, the center object will be brighter relative to the edges of the picture where the backlight originates from.

Digital Zoom: Select this box to enable digital zoom. The camera uses digital zoom once the maximum optical zoom level has been reached.

WDR: Select this box to enable wide dynamic range. This setting improves images with heavily backlit subjects.

AE Mode: Auto (Auto Exposure Mode) In this mode, the camera's brightness, shutter speed, iris and AGC (auto gain control) control circuits work together automatically to achieve a consistent video output level.

Shutter

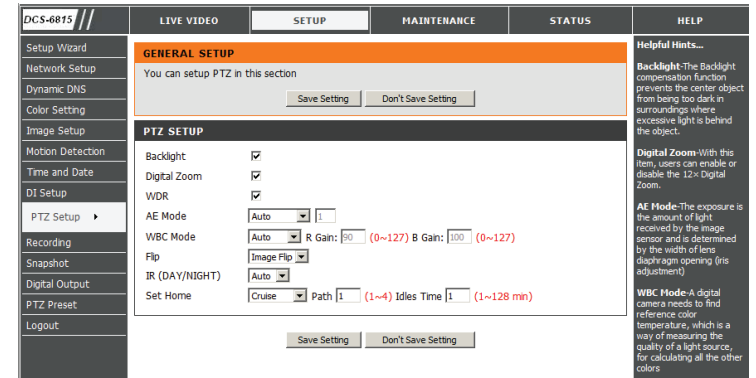
In this mode, shutter speed controls exposure. The iris and AGC will function automatically in cooperation with the shutter speed to achieve a consistent video output level.

Iris

In this mode, the iris function controls exposure. The shutter speed and AGC circuit will function automatically in cooperation with the iris to achieve a consistent video output level.

AGC

In this mode, the Automatic Gain Control circuit controls exposure. The shutter speed and iris will automatically function in cooperation with AGC to achieve a consistent video output level.



WBC Mode: Auto

In this mode, white balance works within its color temperature range. This mode computes the white balance value output using color information from the entire screen.

Manual

In this mode, users can change the white balance value manually. R gain and B gain are adjustable and range from 000 to 127.

Flip: Two flip modes are available for adjusting the image when the camera tracks an object that passes directly beneath the dome.

Image Flip (Digital)

This mode will automatically adjust the image using software. Digital flip is generally acceptable for object tracking. However, some camera modes may be incompatible with this mode.

M.E. Flip (Mechanical)

This mode uses the pan/tilt mechanism to follow an object. Mechanical flip may be used in situations where digital flip is not possible.

IR (Day/Night): Color

This mode never uses the infrared function.

Mono

This mode displays only monochrome images captures using the infrared function.

Auto

Activate the infrared function whenever necessary (nighttime / low light).

Set Home: The camera will resume the specified PTZ action after the specified idle period of no manual operation.

PTZ Sequence

The function executes pre-positioning of the pan, tilt, zoom, and focus features in a certain sequence for a camera. Before setting this function, users must define at least two preset points.

Path: Up to 8 preset paths can be defined. Each path can contain up to 32 preset points. Select the button next to the path that you would like to set.

Set Preset Point: Select a position from one of the 256 preset points for the sequence path and click **Add**, **Delete**, or **Modify**.

Dwell Time: The number of seconds that the camera should remain at the specified preset point.

Speed: The speed at which the camera should move between the specified presets.

Delete/Modify: You may select a defined preset and delete or modify it.

Note: All preset points must be valid to ensure proper operation.

The screenshot displays the PTZ Sequence configuration page. At the top, there are tabs for LIVE VIDEO, SETUP (selected), MAINTENANCE, and STATUS. The left sidebar contains a menu with options like Setup Wizard, Network Setup, Dynamic DNS, Color Setting, Image Setup, Motion Detection, Time and Date, DI Setup, PTZ Setup (selected), Recording, Snapshot, Digital Output, PTZ Preset, and Logout. The main content area is titled 'PTZ SEQUENCE' and includes a description: 'The function executes pre-positioning of the pan, tilt, zoom and focus features in a certain sequence for a camera. Before setting this function, users must pre-define at least two preset points.' Below this is a 'Save Setting' button and a 'Don't Save Setting' button. The configuration section is titled 'PTZ SEQUENCE' and features a 'Path' dropdown, a grid of 8 preset points (C1-C8), a 'Set Preset Point' button, and input fields for 'Preset Point', 'Dwell Time', and 'Speed', each with 'Add', 'Delete', and 'Modify' buttons. A 'Save Setting' button is at the bottom.

PTZ Auto Pan

Auto Pan scans an area horizontally from left to right or right to left.

Path: Up to 4 Auto Pan paths may be defined. Select the button next to the path that you would like to set. Use the navigation pad to move the camera view to the desired start point and click **Set Start Point**. Move the camera view to the desired end point and click **Set End Point**.

Direction: Choose the direction that the camera should pan.

Speed: Choose the speed at which the camera should pan.

The screenshot displays the PTZ Auto Pan configuration page. On the left is a navigation menu with options like Setup Wizard, Network Setup, Dynamic DNS, Color Setting, Image Setup, Motion Detection, Time and Date, DI Setup, PTZ Setup (selected), Recording, Snapshot, Digital Output, PTZ Preset, and Logout. The top navigation bar includes LIVE VIDEO, SETUP, MAINTENANCE, and STATUS. The main content area has a header 'PTZ AUTO PAN' with a description: 'Auto-pan means motion of scanning an area horizontally so that the Dome Camera can catch horizontal view.' Below this is a 'LIVE VIDEO' section showing a camera feed of an indoor scene and a directional pad. The bottom section, titled 'PTZ AUTO PAN', contains configuration options: Path (radio buttons 1, 2, 3, 4), Direction (radio buttons Left, Right), and Speed (input field 0, range 0~5). There are 'Set Start Point' and 'Set End Point' buttons, and 'Save Setting' and 'Don't Save Setting' buttons at the bottom.

PTZ Cruise

Cruise is a stored route defined through manual adjustment of pan, tilt, and zoom.

Path: You may set up to 4 different PTZ cruise paths.

Set Start: Press this button to specify the cruise starting point. Use the control panel to move the camera along the desired cruise route.

Set End: Press this button once you are done setting the cruise path.

Test: Pressing this button will display the cruise path that has been specified.

Stop: Press stop to cancel the cruise path test.

The screenshot shows the web interface for the DCS-6815 camera. The top navigation bar includes 'LIVE VIDEO', 'SETUP', 'MAINTENANCE', and 'STATUS'. The left sidebar contains a menu with options like 'Setup Wizard', 'Network Setup', 'Dynamic DNS', 'Color Setting', 'Image Setup', 'Motion Detection', 'Time and Date', 'DI Setup', 'PTZ Setup', 'Recording', 'Snapshot', 'Digital Output', 'PTZ Preset', and 'Logout'. The main content area is titled 'PTZ CRUISE' and contains a text description: 'CRUISE is a route formed with manual operation, through adjusting pan, tilt position and zoom parameters, which can be stored and recalled to execute repeatedly.' Below this is a 'LIVE VIDEO' section showing a camera feed and a PTZ control panel with a directional pad and a zoom-in button. At the bottom, there is a 'PTZ CRUISE' section with a 'Path' field containing 'C 1 C 2 C 3 C 4' and four buttons: 'Set Start Point', 'Set End Point', 'Test', and 'Stop'.

PTZ Privacy Mask

The privacy mask function will block a defined area of the monitored video from view. The privacy mask will automatically adjust the masked area as the camera view is adjusted via PTZ functions.

Creating a Privacy Mask

1. Select a color for the privacy mask and select the checkbox labeled **Enable**. The chosen color will be used for all masks that have been set.
2. Click **Submit**.
3. Ensure that the camera is zoomed out completely (1X magnification).
4. Use the camera controls to target the center of the image on the area that you would like to mask.
5. Specify which privacy mask you would like to set (1-16).
6. Set the H size (horizontal) and V size (vertical) then click **Set Mask**.
7. You may fine tune your settings if needed and click **Set Mask** again.

Enable: Select this checkbox to enable the privacy mask.

Mask Color: This is the color that will be displayed over the masked area.

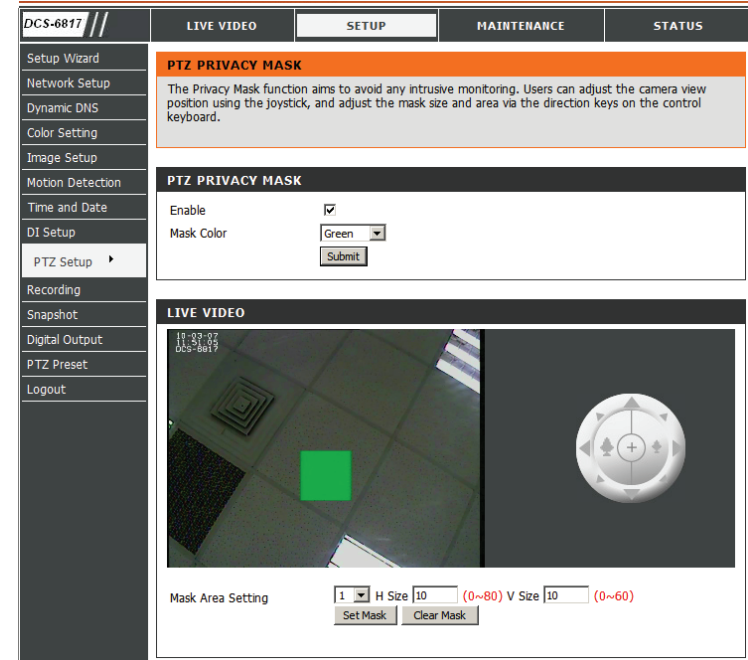
Mask Area Setting: Select which mask area you would like to set. You may set up to 16 different masked areas.

H Size: Specifies the horizontal length of the masked area in pixels.

V Size: Specifies the vertical length of the masked area in pixels.

Set Mask: Click this button to set the mask area after specifying the settings.

Clear Mask: Click this button to clear the selected mask.



Recording

This page allows you to adjust FTP server settings and event triggers.

Enable: Select this checkbox to enable recording.

Record to FTP

Server: The camera can record video directly to an FTP server.

FTP Server: This is the address of the SMTP server. You may enter an IP address or a DNS address.

FTP Port: This is the port that the FTP server operates on. The default FTP port is 21.

Login User: This is the username that will access the FTP server.

Login Password: This is the password associated with the FTP username.

Verify Password: Type the FTP password a second time for verification.

Filename Prefix: This is the prefix that will be appended to the beginning of the file before the date.

Save Path: This is the folder on the FTP server to which the recording will be saved.

Trigger By: You may choose to trigger recording by motion detection or digital output.

Pre-record Time: This is the amount of time that will be recorded prior to the event.

Post-record Time: This is the amount of time that will be recorded after the event.

The screenshot shows the 'RECORDING' configuration page for a DCS-6815 camera. The page is divided into several sections:

- Navigation:** A top bar with 'LIVE VIDEO', 'SETUP', 'MAINTENANCE', and 'STATUS'. A left sidebar lists various setup options, with 'Recording' selected.
- Introduction:** A header 'RECORDING' followed by the text 'In this section, you can set up the camera's recording settings.' and two buttons: 'Save Setting' and 'Don't Save Setting'.
- Enable Recording:** A checkbox labeled 'Enable' is currently unchecked.
- Record to FTP Server:** A section with the following fields:
 - FTP Server: 192.168.1.1
 - FTP Port: 21
 - Login User: ftpuser
 - Login Password: [masked]
 - Verify Password: [masked]
 - Filename Prefix: CAMERA
 - Save Path: [CAPTURE] (one layer only)
- Trigger By:** A section with a checked 'Event' checkbox and two options:
 - Motion detection triggered recording
 - Digital input 1 triggered recording
- Timing:** Two numeric input fields:
 - Pre-record Time: 5 secs (5~10)
 - Post-record Time: 5 secs (5~10)
- Buttons:** 'Save Setting' and 'Don't Save Setting' buttons at the bottom.

Snapshot

In order to enable your camera to take snapshots, you must select the checkbox marked Enable snapshot. Then, you can determine the trigger event(s) email notification(s).

Enable Snapshot Select this checkbox to enable snapshots.

Trigger By: You may choose to trigger snapshots by motion detection or D/I signal.

Remote SMTP Setup: You must configure the SMTP server that you will use to e-mail snapshots.

Auth User: This is the SMTP username. Sometimes, this field requires a full e-mail address.

Auth Password: This is the password associated with the username above.

SMTP Server: This is the address of the SMTP server. You may enter an IP address or a DNS address.

Sender's Email: This is the e-mail address that the mail will appear to be sent from.

Recipient's Email: This is the e-mail address that the mail will be sent to.

SMTP Port: This is the SMTP port that the server runs on. The default value is 25.

Test SMTP: Click this button to test the SMTP port. If a connection is operable, the system will display the message "Success."

Note: The DCS-6815/DCS-6817/DCS-6818 do not support SSL mail servers.

The screenshot shows the configuration interface for a DCS-6817 camera. The top navigation bar includes 'LIVE VIDEO', 'SETUP', 'MAINTENANCE', and 'STATUS'. The left sidebar lists various setup options, with 'Snapshot' selected. The main content area is titled 'SNAPSHOT' and contains the following configuration options:

- Enable Snapshot
- Trigger Event:
 - Motion Detection
 - D/I Signal [1]
- Remote SMTP Setup:
 - Auth User: smtp
 - Auth Password: [Redacted]
 - SMTP Server: smtp.mail.com
 - Sender's Email: user@smtp.mail.com
 - Recipient's Email: user@smtp.mail.com
 - SMTP Port: 25

Buttons for 'Save Setting', 'Don't Save Setting', and 'Test SMTP' are visible at the bottom of the configuration area.

Digital Output

Enable your D/O port as well as how the event will be triggered.

Enable D/O Signal: Selecting this checkbox will enable a preset movement when motion is detected, or when input is received from a digital device.

The screenshot shows the web interface for a DCS-6815 device. The top navigation bar includes 'LIVE VIDEO', 'SETUP', 'MAINTENANCE', and 'STATUS'. The left sidebar lists various configuration options, with 'Digital Output' selected. The main content area is titled 'DIGITAL OUTPUT' and contains the following text: 'Here you can enable your D/O port as well as how the event will be triggered.' Below this text are two buttons: 'Save Setting' and 'Don't Save Setting'. A second section, also titled 'DIGITAL OUTPUT', contains a checkbox for 'Enable D/O Signal'. Underneath this checkbox is the label 'Trigger Event' followed by two options: 'Motion Detection' and 'D/I Signal' (with a dropdown arrow next to the '1'). At the bottom of this section are two buttons: 'Save Setting' and 'Don't Save Setting'.

PTZ Preset

Here you can enable a preset movement as well as how the event will be triggered.

Enable Preset Movement: Selecting this checkbox will enable the first preset camera movement when motion is detected, or when input is received from a digital device.

DCS-6815	LIVE VIDEO	SETUP	MAINTENANCE	STATUS	HELP
Setup Wizard	PTZ PRESET				Helpful Hints... You may choose a trigger event like Motion detection or triggers from the D/I ports. When an event is triggered, the Preset will begin moving.
Network Setup	Here you can enable your Preset movement as well as how the event will be triggered. <input type="button" value="Save Setting"/> <input type="button" value="Don't Save Setting"/>				
Dynamic DNS	PTZ PRESET				
Color Setting	<input type="checkbox"/> Enable Preset Movement Trigger Event <input type="checkbox"/> Motion Detection to preset number [1] (1~256) <input type="checkbox"/> D/I Signal [1] to preset number [1] (1~256)				
Image Setup	<input type="button" value="Save Setting"/> <input type="button" value="Don't Save Setting"/>				
Motion Detection					
Time and Date					
D/I Setup					
PTZ Setup					
Recording					
Snapshot					
Digital Output					
PTZ Preset					
Logout					

Device Management

Change the administrator password or create an additional user account.

Admin Password Setting: Enter the desired administrator password here. Type the password again to verify, and click **Modify**.

Add User Account: Adds a new user account with the authority to view the video feed. The password must be entered twice for verification.

User List: Displays a list of the of the configured users. You may select a user and click **delete** to remove them.

Camera Name: This is the name that will appear in your network list.

OSD Label: This is the name that will be overlaid on the camera image.

Show OSD Label: Select this box to enable the name on the camera image.

Show OSD Date: Select this box to enable the date on the camera image.

Show OSD Time: Select this box to enable the date on the camera image.

DCS-6815 //	LIVE VIDEO	SETUP	MAINTENANCE	STATUS	HELP
Admin					Helpful Hints... Admin Password Setting - Enter the admin password here. You have to enter twice to make verification. Add User Account - Add a new user account whose authority is viewing the image of camera only. You have to enter the password twice to make verification. You may check this newly added account from the user list or delete it. User List - You may delete one or more users from this list. Camera Name - Enter the given name of camera. Show Name - Enable this item to display the name of network camera in live-view image or snapshot picture. Show Date - Enable this item to display date in live-view image or snapshot picture. Show Time - Enable this item to display time of camera in live-view image or snapshot picture.
System	ADMIN Here you can change the administrator's password for your camera as well as add and/or delete user account(s). You can configure the information, such as camera's name via this page. You can also enable the OSD (On-Screen Display) feature in order to display the camera name and time stamp for your video recordings.				
Firmware Upgrade	ADMIN PASSWORD SETTING New Password <input type="text"/> Password must be 4-12 characters Retype Password <input type="text"/> <input type="button" value="Modify"/>				
Logout	ADD USER ACCOUNT User Name <input type="text"/> 5 users maximum New Password <input type="text"/> Password must be 4-12 characters Retype Password <input type="text"/> <input type="button" value="Add"/>				
	USER LIST User Name <input type="text"/> -- User Name -- <input type="button" value="Delete"/>				
	OSD SETTING Camera Name <input type="text"/> DCS-6815 30 characters maximum OSD Label <input type="text"/> 6815 8 characters maximum Show OSD Label <input checked="" type="checkbox"/> Show OSD Date <input checked="" type="checkbox"/> Show OSD Time <input checked="" type="checkbox"/> <input type="button" value="Modify"/>				
SECURITY					

Backup and Restore

This page contains the functions for backing up, restoring, and rebooting your camera.

Save To Local Hard Drive: Press this button to save a backup of the current server settings to your hard drive.

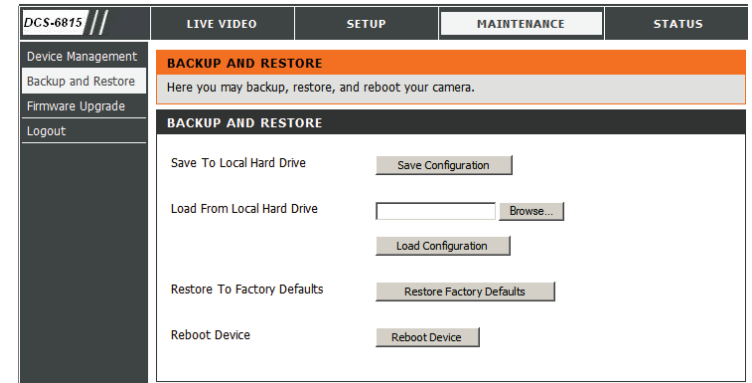
Note: The following items will not be backed up:

1. Auto Pan
2. Sequence
3. Cruise
4. Privacy Masks
5. Preset Points

Load From Local Hard Drive: Restores a previously saved backup of server settings. Browse to the backup file and click “Load Configuration” to load the previously saved settings.

Restore To Factory Defaults: You may enable this option to restore to factory defaults. Be advised that all previously saved settings will be erased.

Reboot Device: You may click this button to reboot the camera.



Firmware Upgrade

The camera's firmware version and date will be displayed on this page. You may go to the D-Link Support Page to check for the latest firmware versions available.

To upgrade the firmware on your DCS-6815/6817/6818, please download and save the latest firmware version from the D-Link Support Page to your local hard drive. Locate the file on your local hard drive by using the **Browse** button. Then, open the file and click the **Upload** button to start the firmware upgrade.

DCS-6815 //	LIVE VIDEO	SETUP	MAINTENANCE	STATUS
Device Management	FIRMWARE UPGRADE			
Backup and Restore	A new firmware upgrade may be available for your IP camera. It is recommended to keep your IP camera firmware up-to-date to maintain and improve the functionality and performance of your internet camera. Click here D-Link Support Page to check for the latest firmware version available.			
Firmware Upgrade	To upgrade the firmware on your IP camera, please download and save the latest firmware version from the D-Link Support Page to your local hard drive. Locate the file on your local hard drive by clicking the Browse button. Once you have found and opened the file using the browse button, click the "Upload" button to start the firmware upgrade.			
Logout	FIRMWARE INFORMATION			
	Current Firmware Version: DCS-6815 Current Product Name : 1.0.9			
	FIRMWARE UPGRADE			
	File Path: <input type="text"/> <input type="button" value="Browse..."/> <input type="button" value="Upload"/>			

Device Info

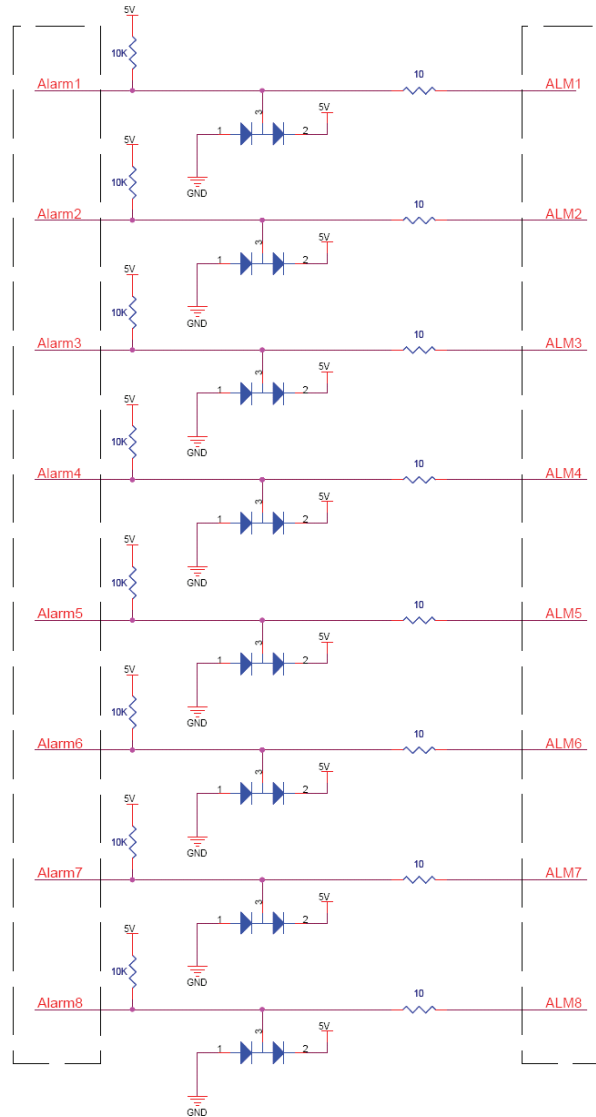
This section displays detailed information about your device and network settings.

DCS-6815 //	LIVE VIDEO	SETUP	MAINTENANCE	STATUS																				
Device Info	DEVICE INFO																							
Logout	All of your network connection details are displayed on this page. The firmware version is also displayed here.																							
	INFORMATION																							
	<table> <tr> <td>Model</td> <td>DCS-6815</td> </tr> <tr> <td>Firmware Version</td> <td>1.0.9 Build 20090303</td> </tr> <tr> <td>Serial Number</td> <td></td> </tr> <tr> <td>MAC Address</td> <td>00:19:6C:30:00:3E</td> </tr> <tr> <td>IP Address</td> <td>172.17.5.154</td> </tr> <tr> <td>Subnet Mask</td> <td>255.255.255.0</td> </tr> <tr> <td>Gateway</td> <td>172.17.5.254</td> </tr> <tr> <td>Default DNS</td> <td>168.95.1.1</td> </tr> <tr> <td>DDNS</td> <td>Disable</td> </tr> <tr> <td>PPPoE</td> <td>Disable</td> </tr> </table>				Model	DCS-6815	Firmware Version	1.0.9 Build 20090303	Serial Number		MAC Address	00:19:6C:30:00:3E	IP Address	172.17.5.154	Subnet Mask	255.255.255.0	Gateway	172.17.5.254	Default DNS	168.95.1.1	DDNS	Disable	PPPoE	Disable
Model	DCS-6815																							
Firmware Version	1.0.9 Build 20090303																							
Serial Number																								
MAC Address	00:19:6C:30:00:3E																							
IP Address	172.17.5.154																							
Subnet Mask	255.255.255.0																							
Gateway	172.17.5.254																							
Default DNS	168.95.1.1																							
DDNS	Disable																							
PPPoE	Disable																							

DI/DO Pin Block Specifications

Pin	Definition	Cable
1	AC 24-1/DC (+)	20AWG
2	ALM NC	
3	AC 24-2/DC (-)	20AWG
4	ALM NO	
5	FG	20AWG
6	ALM COM	
7		24AWG
8		
9		
10		
11	ISOG	
12	ALM-1	
13	ALM-3	
14	ALM-2	
15	ALM-4	
16	ALM-5	
17	ALM-6	
18	ALM-7	
19	ALM-8	
20	ALM GND	
21	VGND	24AWG
22	Video	

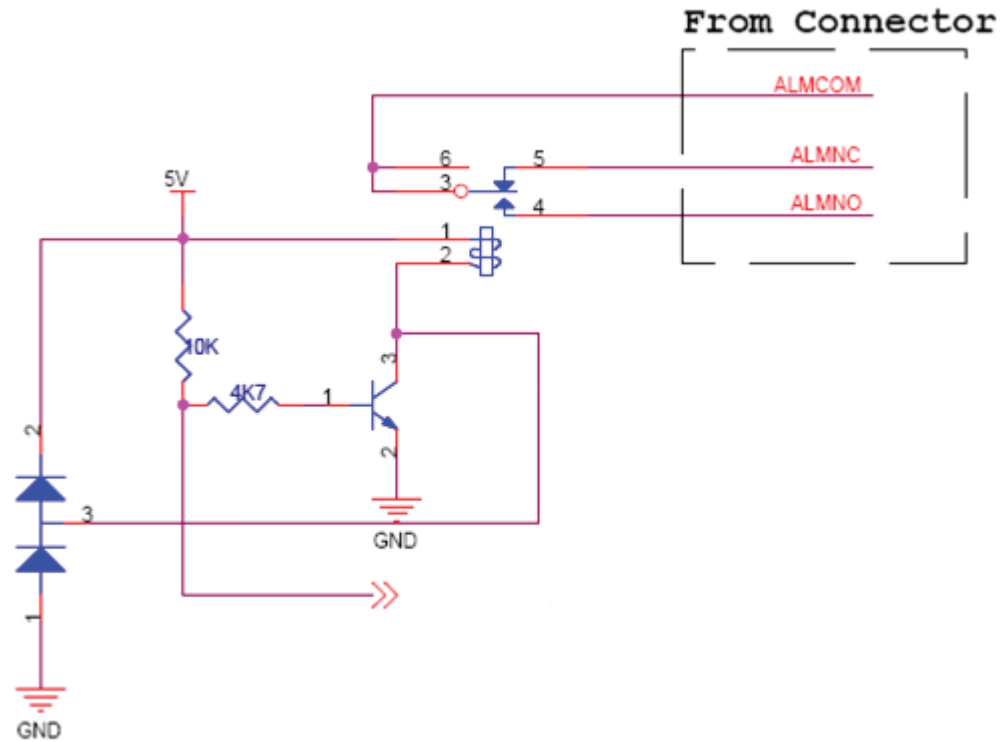
Digital Input Diagram



From Connector

Alarm Input: ALM-1 ~ 8 - ALM GND

Digital Output Diagram



Alarm Output: ALM NC / ALM NO – ALM COM (NC: normal close, NO: normal open)
 Max. load 3A, max. voltage 120V AC relay output.

Troubleshooting

1. What is the maximum number of users that can be allowed to access DCS-6815/6817/6818 simultaneously?

The maximum number of users that can log onto the Internet Camera at the same time is 10. Please keep in mind the overall performance of the transmission speed will slow down when many users are logged on.

2. What algorithm is used to compress the digital image?

The Internet Camera utilizes MPEG-4 Simple Profile Mode image compression technology to provide high quality images.

3. Can the Internet Camera be used outdoors?

The DCS-6815/6817/6818 is IP66 certified and is weatherproof. Please use appropriate weatherproof cabling for safe installation.

4. When physically connecting the Internet Camera to a network what network cabling is required?

The Internet Camera uses Category 5 UTP cable allowing 10 Base-T and 100 Base-T networking.

5. Can the DCS-6815/6817/6818 be connected to the network if it consists of only private IP addresses?

Yes, the Internet Camera can be connected to a LAN with private IP addresses.

6. Why does the Internet Camera work locally but not externally?

This might be caused by network firewall protection. The firewall may need to have some settings changed in order for the Internet Camera to be accessible outside your local LAN. Check with the Network Administrator for your network.

Make sure that the Internet Camera isn't conflicting with any Web server you may have running on your network. The default router setting might be a possible reason. Check that the configuration of the router settings allow the Internet Camera to be accessed outside your local LAN.

7. Noisy images occur. How can I solve the problem?

The video images might be noisy if the Internet Camera is used in a very low light environment. To solve this issue you need more lighting.

Networking Basics

Check your IP Address

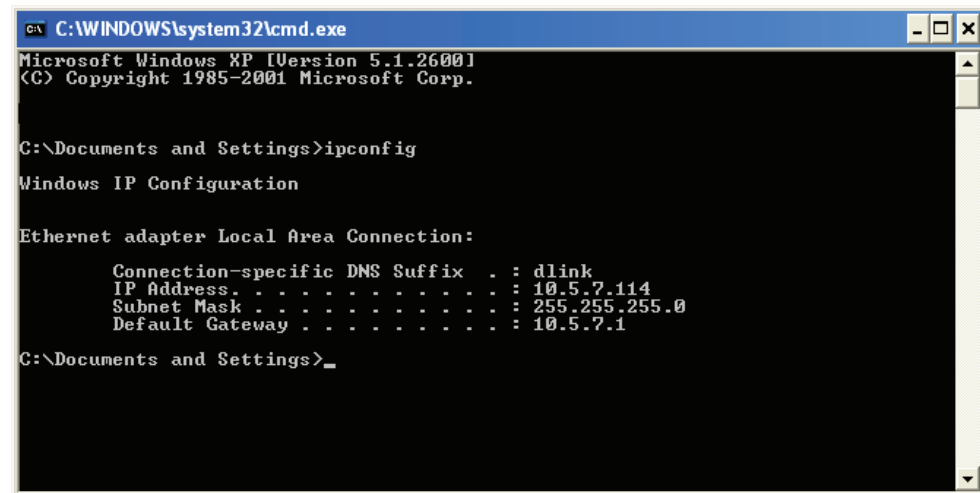
After you install your new D-Link adapter, by default, the TCP/IP settings should be set to obtain an IP address from a DHCP server (i.e. router) automatically. To verify your IP address, please follow the steps below.

Click on **Start > Run**. In the run box type **command** and click **OK**.

At the prompt, type **ipconfig** and press **Enter**.

This will display the IP address, subnet mask, and the default gateway of your adapter.

If the address is 0.0.0.0, check your adapter installation, security settings, and the settings on your router. Some firewall software programs may block a DHCP request on newly installed adapters.



```
C:\WINDOWS\system32\cmd.exe
Microsoft Windows XP [Version 5.1.2600]
(C) Copyright 1985-2001 Microsoft Corp.

C:\Documents and Settings>ipconfig

Windows IP Configuration

Ethernet adapter Local Area Connection:

    Connection-specific DNS Suffix  . : dlink
    IP Address . . . . . : 10.5.7.114
    Subnet Mask . . . . . : 255.255.255.0
    Default Gateway . . . . . : 10.5.7.1

C:\Documents and Settings>_
```

Statically Assign an IP Address

If you are not using a DHCP capable gateway/router, or you need to assign a static IP address, please follow the steps below:

Step 1

Windows® XP - Click on **Start > Control Panel > Network Connections**.

Windows® 2000 - From the desktop, right-click **My Network Places > Properties**.

Step 2

Right-click on the **Local Area Connection** which represents your D-Link network adapter and select **Properties**.

Step 3

Highlight **Internet Protocol (TCP/IP)** and click **Properties**.

Step 4

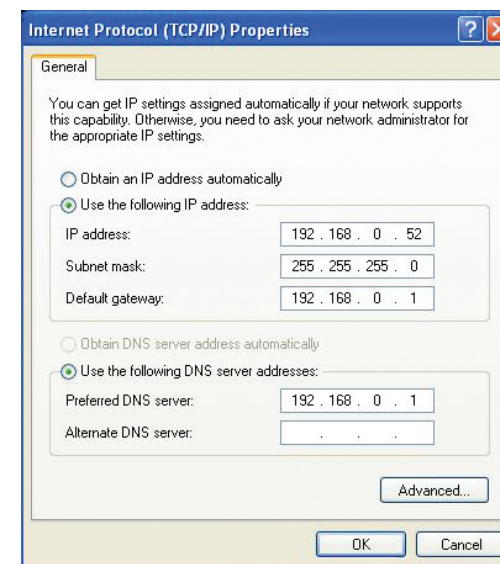
Click **Use the following IP address** and enter an IP address that is on the same subnet as your network or the LAN IP address on your router.

Example: If the router's LAN IP address is 192.168.0.1, make your IP address 192.168.0.X where X is a number between 2 and 99. Make sure that the number you choose is not in use on the network. Set Default Gateway the same as the LAN IP address of your router (192.168.0.1).

Set Primary DNS the same as the LAN IP address of your router (192.168.0.1). The Secondary DNS is not needed or you may enter a DNS server from your ISP.

Step 5

Click OK twice to save your settings.



Technical Specifications

CAMERA SPECIFICATIONS

- 1/4" EX-View CCD Sensor
- Optical zoom
 - DCS-6815: 18X
Focal length 3.4~61.2 mm
Angle of view (horizontal): 3.6° ~ 60.8°
 - DCS-6817: 30X
Focal length 3.4~102 mm
Angle of view (horizontal): 2.2° ~ 60.8°
 - DCS-6818: 36X
Focal length 3.4~122.4 mm
Angle of view (horizontal): 1.8° ~ 60.8°
- 12 Digital Zoom
- Day / Night: ICR
- 0.1 Lux (Color); 0.01 Lux (B/W)
- 540 TVL
- Electronic shutter speed 1/1 ~ 1/10K sec
- Auto Gain Control(AGC)
- Manual / Auto Focus(AF)
- Manual / Auto Exposure(AE)
- Manual / Auto White Balance(AWB)
- Backlight Compensation(BLC)
- Wide Dynamic Range (WDR)

VIDEO CODEC SUPPORT

- JPEG for still image
- MPEG4/MJPEG dual format compression

VIDEO RESOLUTION

- NTSC Support:
 - Up to 30 fps at 176 x 120
 - Up to 30 fps at 352 x 240
 - Up to 30 fps at 720 x 480
- PAL Support:

- Up to 25 fps at 176 x 144
- Up to 25 fps at 352 x 288
- Up to 25 fps at 720 x 576

VIDEO FEATURES

- Adjustable image size and quality
- Time stamp and text overlays
- Configurable motion detection windows

VIDEO BIT RATE

- Up to 3 Mbps

NETWORK PROTOCOL SUPPORT

- IPv4, ARP, TCP/ IP, UDP, ICMP, DHCP Client, NTP Client, DNS Client, DDNS Client, SMTP Client, FTP Client, HTTP Server, PPPoE, UPnP

BUILT-IN NETWORK INTERFACES

- 10/100BASE-TX Ethernet port

LAN

- IEEE 802.3 compliance
- IEEE 802.3u compliance
- Full-Duplex operation
- 802.3x Flow control support for full-duplex mode

IO PORT

- 8 Alarm inputs
- 1 Alarm outputs

DOME OPERATION

- 360° pan capability
- -10° ~ 190° Tilt travel
- 0.225° Pan / Tilt preset accuracy
- 5° ~ 400° Pan / Tilt preset speed

- 4 Cruise presets
- 4 Auto pan presets
- 8 Sequence presets
- 16 Privacy masks
- Auto-flip
- Built-in heater and fan
- IP66 standard

SURVEILLANCE SOFTWARE FUNCTIONS

- Remote management/control of up to 32 cameras
- Viewing of up to 32 cameras on one screen
- Management functions provided in web interface
- Scheduled motion triggered, or manual recording

REMOTE MANAGEMENT

- Configuration accessible via web browser
- Take snapshots/video clips and save via web browser

SYSTEM REQUIREMENTS

- Operating System: Microsoft Windows 2000, XP, Vista
- Browser: Internet Explorer 6.0 or above

WEIGHT

- 2.6 Kg (5.9 lbs)

POWER INPUT

- AC 24 V

POWER CONSUMPTION

- Max 65 W (with heater)

OPERATING TEMPERATURE

- -40° to 50° C (-40° to 122° F)

STORAGE TEMPERATURE

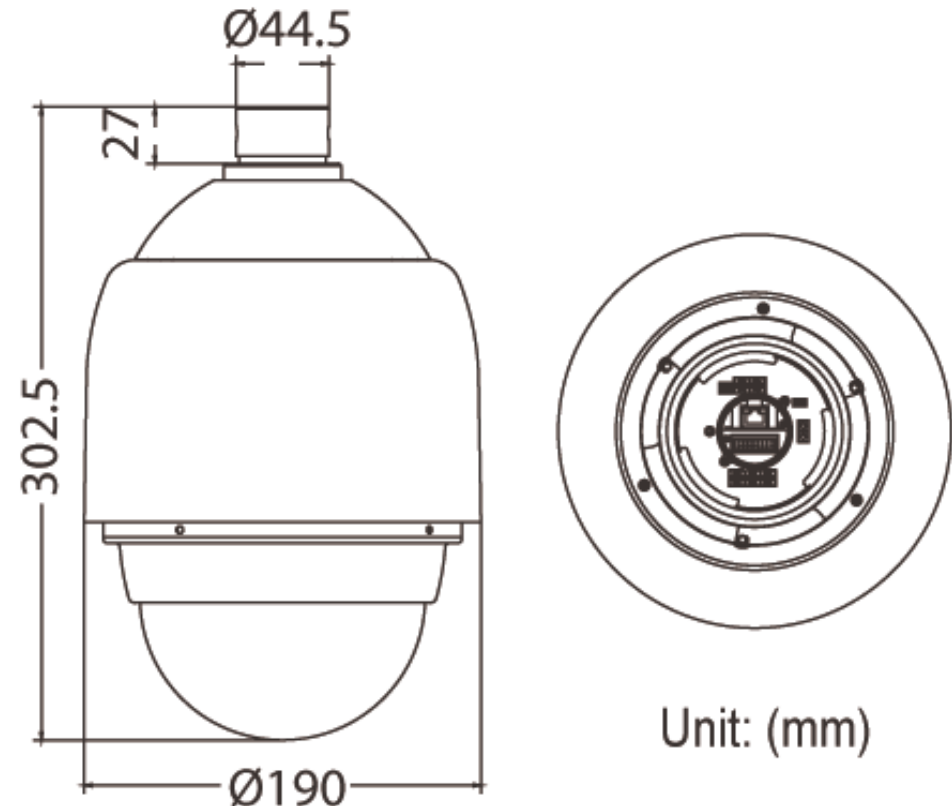
- -20° to 70° C (-4° to 158° F)

OPERATING HUMIDITY

- 20% to 80% non-condensing

CERTIFICATIONS

- FCC
- CE
- RoHS



Version 1.1
3/15/2010

Free Manuals Download Website

<http://myh66.com>

<http://usermanuals.us>

<http://www.somanuals.com>

<http://www.4manuals.cc>

<http://www.manual-lib.com>

<http://www.404manual.com>

<http://www.luxmanual.com>

<http://aubethermostatmanual.com>

Golf course search by state

<http://golfingnear.com>

Email search by domain

<http://emailbydomain.com>

Auto manuals search

<http://auto.somanuals.com>

TV manuals search

<http://tv.somanuals.com>