

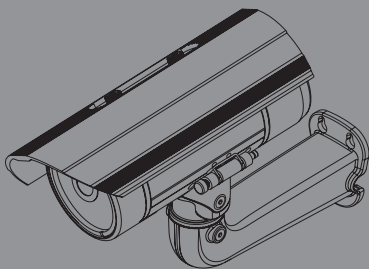


Quick Installation Guide

Full HD WDR Day & Night Outdoor Network Camera

This document will guide you through the basic installation process for your new D-Link Network Camera.

DCS-7513



Quick Installation Guide

This installation guide provides basic instructions for installing the DCS-7513 on your network. For additional information about how to use the camera, please see the User Manual which is available on the CD included in this package or from the D-Link support website.

Installation Steps

1. Verify the package contents against the list below.
2. Hardware Overview
3. SD Card Installation
4. Hardware Installation
5. Configuration (Setup Wizard)

1. Package Contents

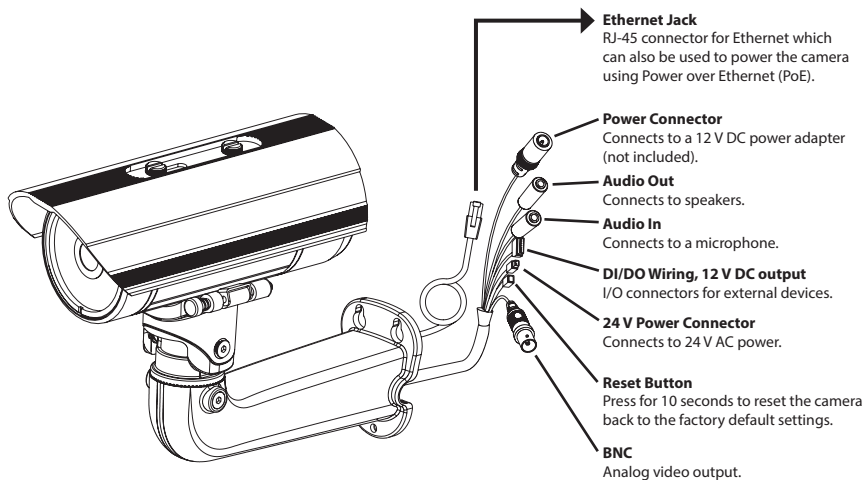
- DCS-7513 Full HD WDR Day & Night Outdoor Network Camera
- Mounting Bracket and Hardware
- CAT5 Ethernet Cable
- CD-ROM with User Manual and Software
- Mounting Plate
- Alignment Sticker
- Quick Installation Guide

If any of the above items are missing, please contact your reseller.

Safety Notice:

Installation and servicing should be done by certified technicians to conform to all local codes and prevent voiding your warranty.

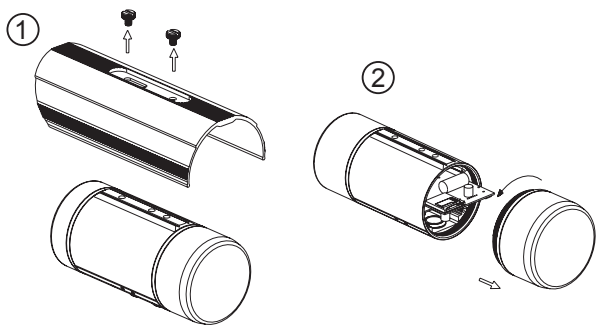
2. Hardware Overview



3. SD Card Installation

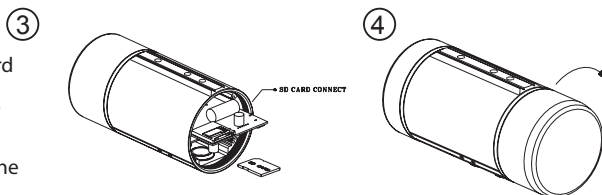
Disassemble the Camera

Open the camera by loosening the two screws.



Install the SD Card

Push the SD card into the card slot with the gold contacts directed towards the base of the camera. To eject the SD card, push the SD card into the slot and release. The SD card will spring out.



4. Mounting Instructions

Mounting Installation

Refer to the User Manual for detailed instructions regarding the installation and mounting of the camera using a mounting bracket.

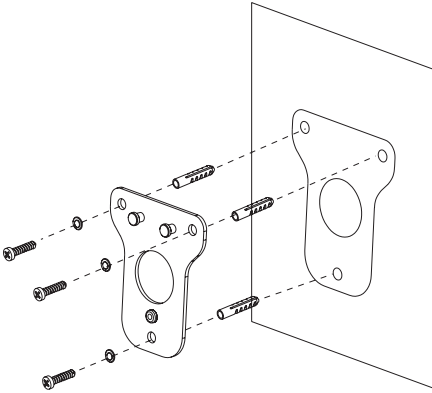


Figure 2.1

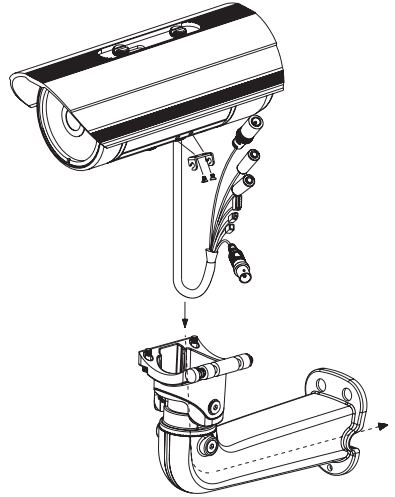


Figure 2.2

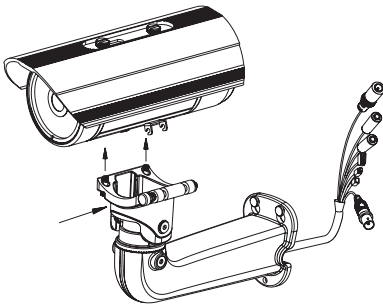


Figure 2.3

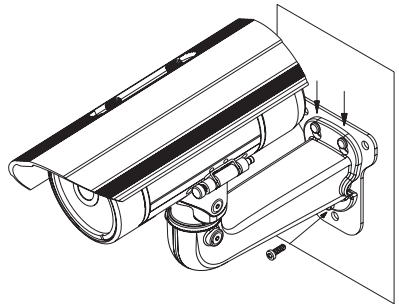
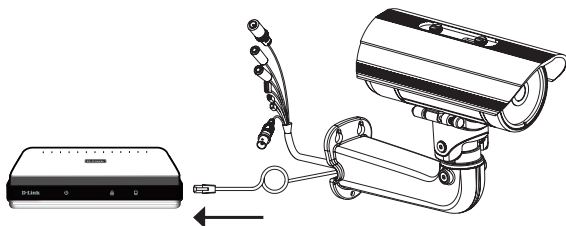


Figure 2.4

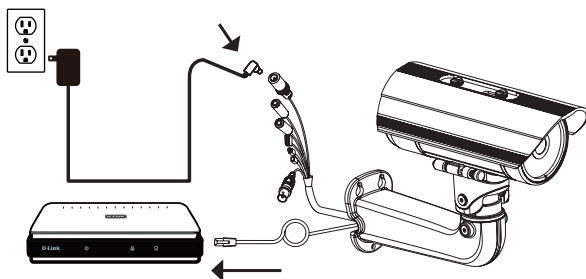
Connection with a PoE Switch

If you are using a PoE switch, connect the camera to the switch using an Ethernet cable, which will provide transmission of both power and data over a single cable.



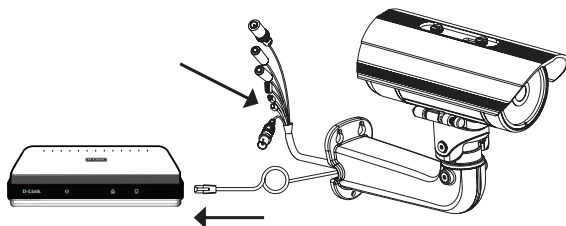
General Connection Using a 12 V DC Power Adapter

1. Connect the network camera to your network using an Ethernet cable.
2. Connect a compatible 12 V power adapter (not included) from the camera to a power outlet.



General Connection Using 24 V AC Power Wiring

1. Connect the network camera to your network using an Ethernet cable.
2. Connect the supplied power cable from the camera to a power source such as your building's emergency power.



5. Configuration (Setup Wizard)

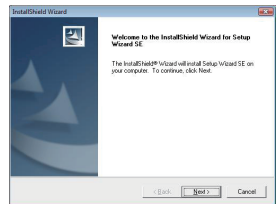
Insert the DCS-7513 CD into your computer's CD-ROM drive to begin the installation. If the Autorun function on your computer is disabled, or if the D-Link Launcher fails to start automatically, click the **Start** button and in the box type **D:\autorun.exe**, where D: represents the drive letter of your CD-ROM drive.

Click **Setup Wizard** to begin the installation.

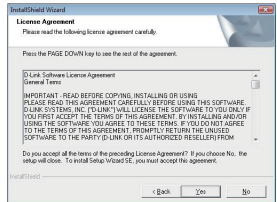


After clicking Setup Wizard, the following window will open.

Click **Next** to continue.

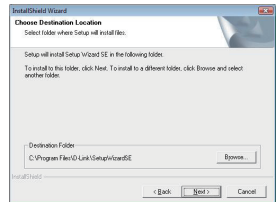


Click **Yes** to accept the License Agreement.

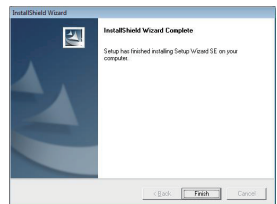


To start the installation process, click **Next**.

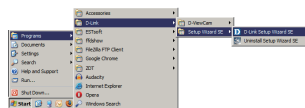
Note: The installation may take several minutes to finish.



Click **Finish** to complete the installation.

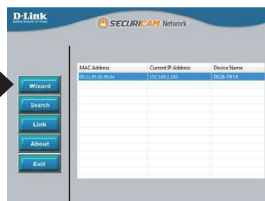


Click on the **D-Link Setup Wizard SE** icon that was created in your Windows Start menu.



Start > D-Link > Setup Wizard SE

The Setup Wizard will appear and display the MAC address and IP address of your camera(s). If you have a DHCP server on your network, a valid IP Address will be displayed. If your network does not use a DHCP server, the network camera's default static IP **192.168.0.20** will be displayed.



Click the **Wizard** button to continue.

Enter the Admin ID and password. When logging in for the first time, the default Admin ID is **admin** with the password left blank.



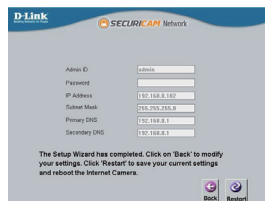
Click **Next** to continue.

Select **DHCP** if your camera automatically obtains an IP address from a DHCP server such as a router. Select **Static IP** if you want to manually enter the IP settings for the camera.



Click **Next** to continue.

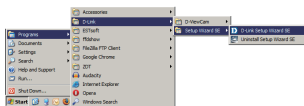
Take a moment to confirm your settings and click **Restart**.



Viewing Camera via Web Browser

Click on the **D-Link Setup Wizard SE** icon that was created in your Windows Start menu.

Start > D-Link > Setup Wizard SE



Select the camera and click the **Link** button to access the web configuration.

The Setup Wizard will automatically open your web browser to the IP address of the camera.



Select **admin** as the username and leave the password blank. Click **OK** to continue.



This section shows your camera's live video. You can select your video profile and view or operate the camera. For additional information about web configuration, please refer to the user manual included on the CD-ROM or the D-Link website.



Notes

Notes

Notes

Technical Support

D-Link's website contains the latest user documentation and software updates for D-Link products.

U.S. and Canadian customers can contact D-Link Technical Support through our website or by phone.

United States

Telephone

(877) 354-6555

World Wide Web

<http://support.dlink.com>

Canada

Telephone

(800) 361-5265

World Wide Web

<http://support.dlink.ca>

D-Link®

Version 1.20_130x183

February 25, 2016

RMN0100746A

Copyright ©2016 D-Link Corporation/D-Link Systems, Inc. All rights reserved. D-Link, and the D-Link logo are registered trademarks of D-Link Corporation or its subsidiaries in the United States and other countries. Other trademarks are the property of their respective owners. Product specifications, size and shape are subject to change without notice, and actual product appearance may differ from that depicted on the packaging. Visit www.dlink.com for more details.

Free Manuals Download Website

<http://myh66.com>

<http://usermanuals.us>

<http://www.somanuals.com>

<http://www.4manuals.cc>

<http://www.manual-lib.com>

<http://www.404manual.com>

<http://www.luxmanual.com>

<http://aubethermostatmanual.com>

Golf course search by state

<http://golfingnear.com>

Email search by domain

<http://emailbydomain.com>

Auto manuals search

<http://auto.somanuals.com>

TV manuals search

<http://tv.somanuals.com>