



## Installation Instructions

### Built-In Refrigerator

*42 and 48 Inch Models: EF42DBSS, EF42NBSS, EF48DBSS, EF48NBSS  
IF42DBOL, IF42NBOL, IF48DBOL, IF48NBOL*

# Table of Contents

<b>Refrigerator Safety</b> .....	<b>1</b>	<b>Installation Instructions</b> .....	<b>14-21</b>
<b>Model Identification</b> .....	<b>2</b>	Unpack Refrigerator.....	14
<b>Installation Requirements</b> .....	<b>3-12</b>	Reduce Tipping Radius.....	14
Tools and Parts .....	3	Move Refrigerator into House.....	14
Location Requirements.....	3-4	Install Anti-Tip Boards.....	15
Electrical Requirements.....	4	Connect Water Supply.....	15-16
Water Supply Requirements.....	5	Plug in Refrigerator.....	16
Tipping Radius.....	5	Move to Final Location .....	16
Product Dimensions.....	6	Level and Align Refrigerator .....	17
Door Swing Dimensions .....	7	Custom Panel and Handle Installation .....	18
Door Panels and Cabinetry Clearance.....	8-9	Adjust Doors .....	19
Custom Panels and Handles .....	10-11	Install Side Panel(s).....	20
Custom Side Panels .....	12-13	Install Base Grille.....	20
		Complete Installation .....	21
		Water System Preparation.....	21
		Notes.....	22
		<b>Français</b> .....	<b>23-44</b>

## Customer Service Information

If you have questions or problems with installation, contact your Dacor® dealer or the Dacor Customer Service Team. For repairs to Dacor appliances under warranty call the Dacor Distinctive Service line. Whenever you call, have the model and serial number of the appliance ready. These numbers are found on a label located on the inside wall of the refrigerator compartment.

### **Dacor Customer Service**

Phone: (800) 793-0093 (U.S.A. and Canada)  
Monday — Friday 6:00 a.m. to 5:00 p.m. Pacific Time

Web site: [www.Dacor.com](http://www.Dacor.com)

### **Dacor Distinctive Service (repairs under warranty only)**

Phone: (877) 337-3226 (U.S.A. and Canada)  
Monday — Friday 6:00 a.m. to 4:00 p.m. Pacific Time

**All specifications subject to change without notice.  
Dacor assumes no liability for changes to specifications.**

# Refrigerator Safety

## Your safety and the safety of others are very important.

We have provided many important safety messages in this manual and on your appliance. Always read and obey all safety messages.



This is the safety alert symbol.

This symbol alerts you to potential hazards that can kill or hurt you and others.

All safety messages will follow the safety alert symbol and either the word "DANGER" or "WARNING." These words mean:

**⚠ DANGER**

You can be killed or seriously injured if you don't immediately follow instructions.

**⚠ WARNING**

You can be killed or seriously injured if you don't follow instructions.

All safety messages will tell you what the potential hazard is, tell you how to reduce the chance of injury, and tell you what can happen if the instructions are not followed.

## IMPORTANT SAFETY INSTRUCTIONS

**WARNING:** To reduce the risk of fire, electric shock, or injury when using your refrigerator, follow these basic precautions:

- Plug into a grounded 3 prong outlet.
- Do not remove ground prong.
- Do not use an adapter.
- Do not use an extension cord.
- Disconnect power before servicing.
- Replace all parts and panels before operating.
- Remove doors from your old refrigerator.
- Use nonflammable cleaner.
- Keep flammable materials and vapors, such as gasoline, away from refrigerator.
- Use two or more people to move and install refrigerator.
- Disconnect power before installing ice maker (on ice maker kit ready models only).
- Use a sturdy glass when dispensing ice (on some models).

## SAVE THESE INSTRUCTIONS

**⚠ WARNING**



### Tip Over Hazard

Refrigerator is top heavy and tips easily when not completely installed.

Keep doors taped closed until refrigerator is completely installed.

Use two or more people to move and install refrigerator.

Failure to do so can result in death or serious injury.

## Proper Disposal of Your Refrigerator

**⚠ WARNING**

### Suffocation Hazard

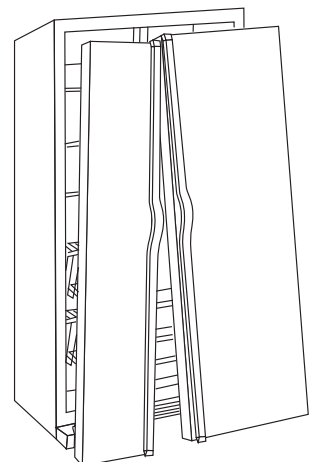
Remove doors from your old refrigerator.

Failure to do so can result in death or brain damage.

**IMPORTANT:** Child entrapment and suffocation are not problems of the past. Junked or abandoned refrigerators are still dangerous, even if they sit out for "just a few days." If you are getting rid of your old refrigerator, please follow the instructions below to help prevent accidents.

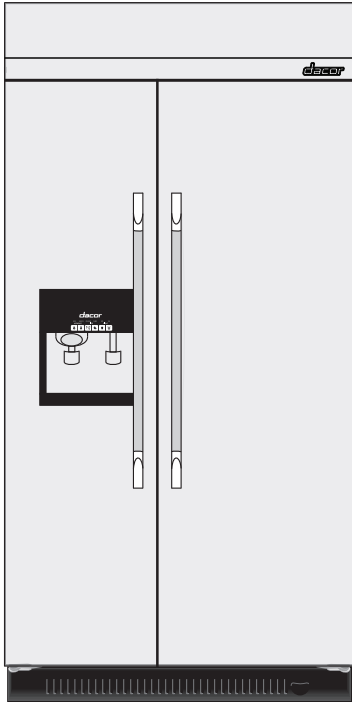
**Before you throw away your old refrigerator or freezer:**

- Take off the doors.
- Leave the shelves in place so children may not easily climb inside.



# Model Identification

## Refrigerators With Ice and Water Dispensers

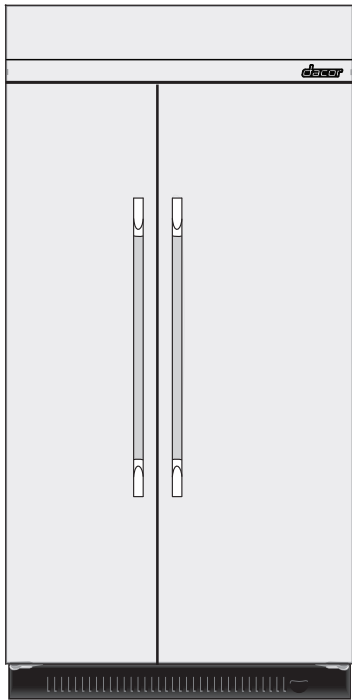


**EF42DBSS and EF48DBSS:**  
42" and 48" dispensing models with all stainless steel finish



**IF42DBOL and IF48DBOL:**  
42" and 48" dispensing models designed for installation of custom panels and handles

## Refrigerators Without Ice and Water Dispensers



**EF42NBSS and EF48NBSS:**  
42" and 48" non-dispensing models with all stainless steel finish



**IF42NBOL and IF48NBOL:**  
42" and 48" non-dispensing models designed for installation of custom panels and handles

# Installation Requirements

## Tools and Parts

### Tools needed:

Gather the required tools and parts before starting installation. Read and follow the instructions provided with any tools listed here.

- Cordless drill
- Drill bits
- Two adjustable wrenches
- Phillips screwdriver
- Small level
- Appliance dolly
- Torx<sup>†</sup> T27 screwdriver
- 1<sup>1</sup>/<sub>2</sub>" nut driver
- 3/8" and 1/2" open-end wrenches
- Hex key (5/32")
- 1/4" and 5/16" socket drivers
- Tape measure

### Parts Needed:

- Six #8 x 3" (7.6 cm) wood screws (longer screws may be needed)
- One or two 2" x 4" x 32" (5.1 cm x 10.2 cm x 81.3 cm) wood board(s)
- Minimum 7 ft (2.1 m) flexible codes approved water supply line.
- EF series models: Dacor handle kit.
- IF series models: Consult a qualified cabinetmaker or carpenter to make the panels. See *Installation Requirements* for more information.

## Location Requirements

Your Dacor refrigerator can be recessed in an opening between cabinets or installed at the end of a cabinet run using a side panel to enclose the refrigerator.

### ⚠ WARNING



#### Explosion Hazard

**Keep flammable materials and vapors, such as gasoline, away from refrigerator.**

**Failure to do so can result in death, explosion, or fire.**

### IMPORTANT:

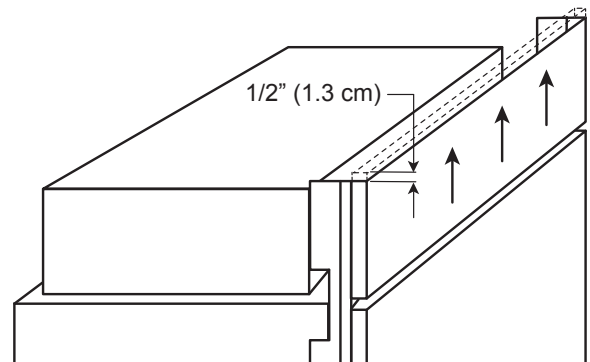
- Observe all governing codes and ordinances.
- It is recommended that you do not install the refrigerator near an oven, radiator, or other heat source.
- Do not install in a location where the temperature will fall below 55°F (13°C).
- Floor must support the refrigerator weight, more than 600 lbs (272 kg), door panels and contents of the refrigerator.
- Ceiling height must allow for side tipping radius. See *Tipping Radius*.
- Location should permit doors to open fully. See *Door Swing Dimensions*.
- Location must permit top grille removal. See *Opening Dimensions*.

## Opening Dimensions

- To avoid tipping during use, the solid soffit must be within 1" (2.5 cm) maximum above the refrigerator. If the solid soffit is higher than 1" (2.5 cm) or one is not available, then the refrigerator must be braced.

If the anti-tip boards are needed, they must be attached to the rear wall studs 80" to 90" (203.2 cm to 228.6 cm) above the floor. See *Install Anti-Tip Boards* for more information.

**NOTE:** A clearance of 1/2" (1.3 cm) must be maintained above the top grille in order for the top grille to be removed.

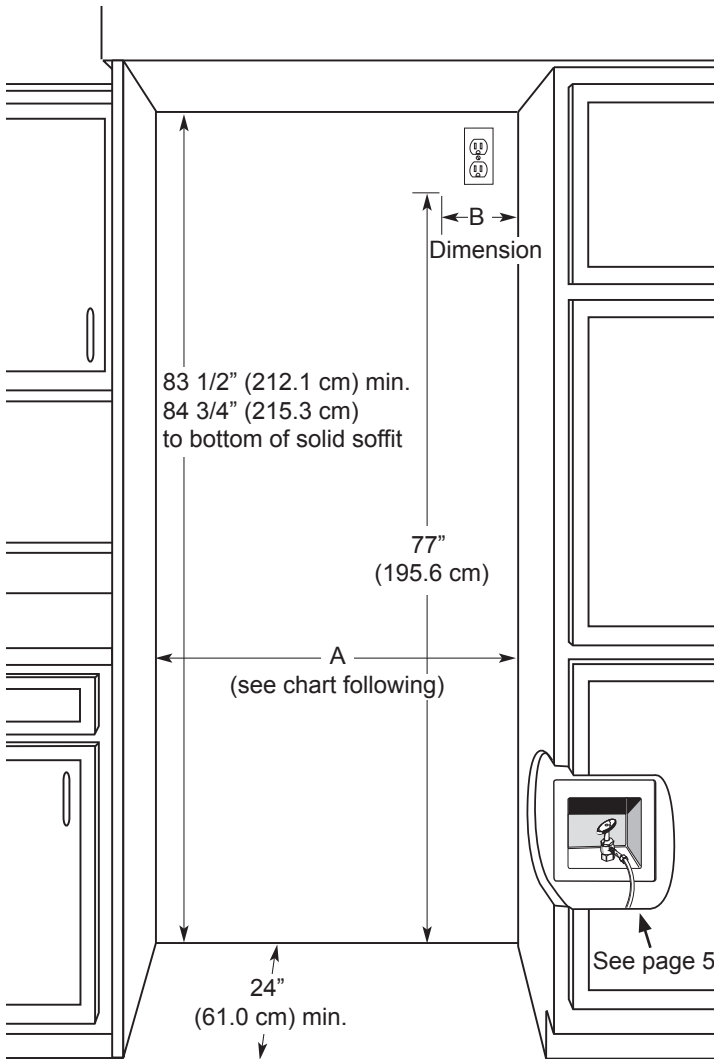


† Torx<sup>®</sup> is a registered trademark of Saturn Fasteners Inc.

# Installation Requirements

## Location Requirements (continued)

- Locate the refrigerator so that it may easily be pulled out from the wall if service becomes necessary.
- A grounded 3 prong electrical outlet should be placed as shown in the illustration below. See *Electrical Requirements* for more information.
- The water shutoff should be located in the base cabinet on either side of the refrigerator or some other easily accessible area. If the water shutoff valve is not in the cabinets, the plumbing for the water line can come through the floor or the back wall. See *Water Supply Requirements* for more information.



## Electrical Requirements

### ⚠ WARNING



#### Electrical Shock Hazard

**Plug into a grounded 3 prong outlet.**

**Do not remove ground prong.**

**Do not use an adapter.**

**Do not use an extension cord.**

**Failure to follow these instructions can result in death, fire, or electrical shock.**

Before you move your refrigerator into its final location, it is important to make sure you have the proper electrical connection.

### Recommended Grounding Method

A 115 Volt, 60 Hz., AC only 15 or 20 Amp. fused, grounded electrical supply is required. It is recommended that a separate circuit serving only your refrigerator be provided. Use an outlet that cannot be turned off by a switch. Do not use an extension cord.

**IMPORTANT:** If this product is connected to a GFCI (ground fault circuit interrupter) equipped outlet, nuisance tripping of the power supply may occur, resulting in loss of cooling. Food quality and flavor may be affected. If nuisance tripping has occurred, and if the condition of the food appears poor, dispose of it.

**NOTE:** Before performing any type of installation, cleaning, or removing a light bulb, remove the top grille and turn the master power switch to OFF or disconnect power at the circuit breaker box.

When you are finished, turn ON the main power switch or reconnect power at the circuit breaker box. Then reset the control to the desired setting.

Model Series	Cutout Width A	Dimension B
EF42, IF42	41½" (105.4 cm) to 41¾" (106.0 cm)	10" (25.4 cm)
EF48, IF48	47½" (120.7 cm) to 47¾" (121.3 cm)	16" (40.6 cm)

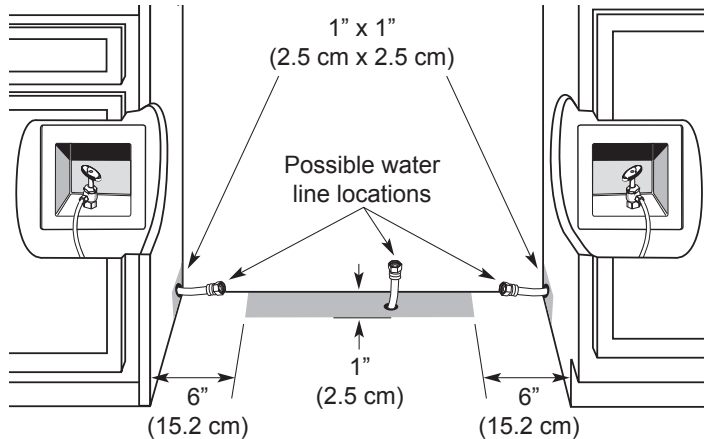
**NOTE:** Flooring under refrigerator must be at same level as the room. The face of the cabinetry must be plumb.

# Installation Requirements

## Water Supply Requirements

- All installations must meet local plumbing code requirements.
- The water shutoff should be located in the base cabinet on either side of the refrigerator or some other easily accessible area. The right-hand side is recommended.

**NOTE:** If the water shut off valve is in the back wall behind the refrigerator, it must be at an angle so that the water line is not kinked when the refrigerator is pushed into its final position.



- If the water shutoff valve is not in the cabinets, the plumbing for the water line can come through the floor. A ½" (1.3 cm) hole for plumbing should be drilled at least 6" (15.2 cm) from the right or left hand side cabinet or panel. On the floor, the hole should be no more than 1" (2.5 cm) away from the back wall. See *Connect Water Supply*.
- Your refrigerator dealer has a kit available with a ¼" (6.4 mm) saddle-type shutoff valve. Before purchasing, make sure a saddle-type valve complies with your local plumbing codes.
- Do not use a piercing-type or ⅜" (4.8 mm) saddle valve which reduces water flow and clogs more easily.
- Install the water supply line only in areas where the household temperatures will remain above freezing.

## Water Pressure

A cold water supply with water pressure between 30 and 120 psi (207 and 827 kPa) is required to operate the water dispenser and ice maker. If you have questions about your water pressure, call a licensed, qualified plumber.

## Reverse Osmosis Water Supply

**IMPORTANT:** The pressure of the water supply coming out of a reverse osmosis system going to the water inlet valve of the refrigerator needs to be between 30 and 120 psi (207 and 827 kPa). If a reverse osmosis water filtration system is connected to your cold water supply, the water pressure to the reverse osmosis system needs to be a minimum of 40 to 60 psi (276 to 414 kPa).

If the water pressure to the reverse osmosis system is less than 40 to 60 psi (276 to 414 kPa):

- Check to see whether the sediment filter in the reverse osmosis system is blocked. Replace the filter if necessary.
- Allow the storage tank on the reverse osmosis system to refill after heavy usage.
- If your refrigerator has a water filter cartridge, it may further reduce the water pressure when used in conjunction with a reverse osmosis system. Remove the water filter cartridge.

If you have questions about your water pressure, call a licensed, qualified plumber.

## Tipping Radius

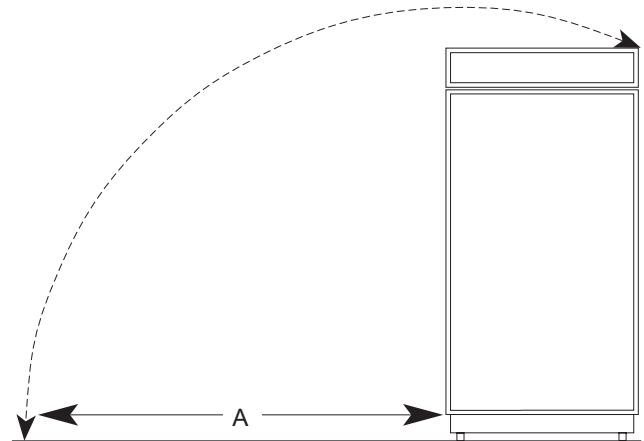
Be sure there is adequate ceiling height to stand the refrigerator upright when it is moved into place.

- The dolly wheel height must be added to the tipping radius when a dolly is used.
- If needed, the tipping radius can be reduced. See *Reduce Tipping Radius*.

## Side Tipping Radius

The side tipping radius varies depending upon the width of the model. Use the chart provided to determine the side tipping radius.

**NOTE:** Tip on side only.



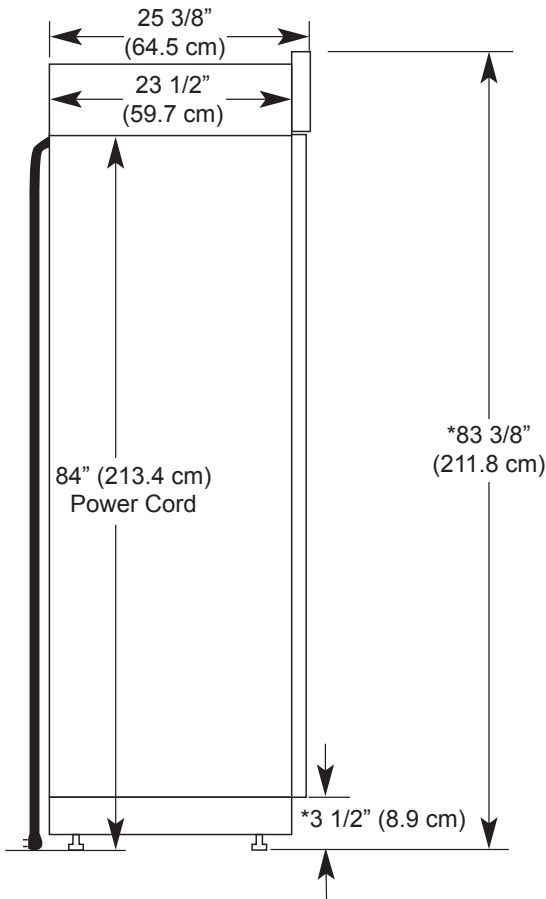
Model Series	Tipping Radius A
EF42, IF42	93" (236.2 cm)
EF48, IF48	96" (243.8 cm)

# Installation Requirements

## Product Dimensions

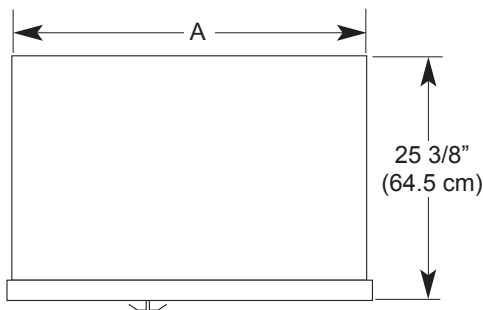
### Side View:

- The depth from the front of the top grille to the back of the refrigerator cabinet is 25 3/8" (64.5 cm).
- The power cord is 84" (213.3 cm) long.
- The water line attached to the back of the refrigerator is 5 ft (1.5 m) long.
- Height dimensions are shown with leveling legs extended 1/8" (3.2 mm) below the rollers.



\* When leveling legs are fully extended to 1/4" (3.2 cm) below rollers, add 1 1/8" (2.9 cm) to the height dimensions.

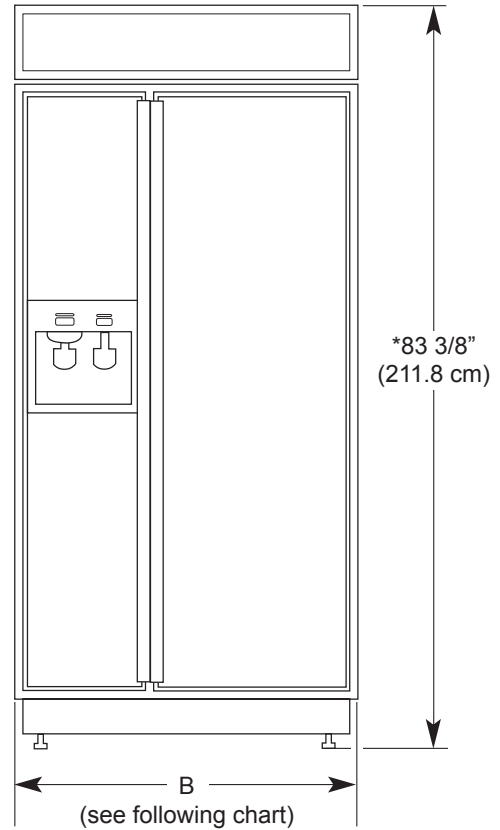
### Top View:



Model	Width A
EF42, IF42	41 1/4" (104.8 cm)
EF48, IF48	47 1/4" (120.0 cm)

### Front View:

- Width dimensions were measured from trim edge to trim edge.
- Height dimensions are shown with leveling legs extended 1/8" (3.2 mm) below the rollers.



Model Series	Width B (Trim edge to trim edge)
EF42, IF42	42 1/4" (107.3 cm)
EF48, IF48	48 1/4" (122.6 cm)

\*When leveling legs are fully extended to 1/4" (3.2 cm) below rollers, add 1 1/8" (2.9 cm) to the height dimensions.



# Installation Requirements

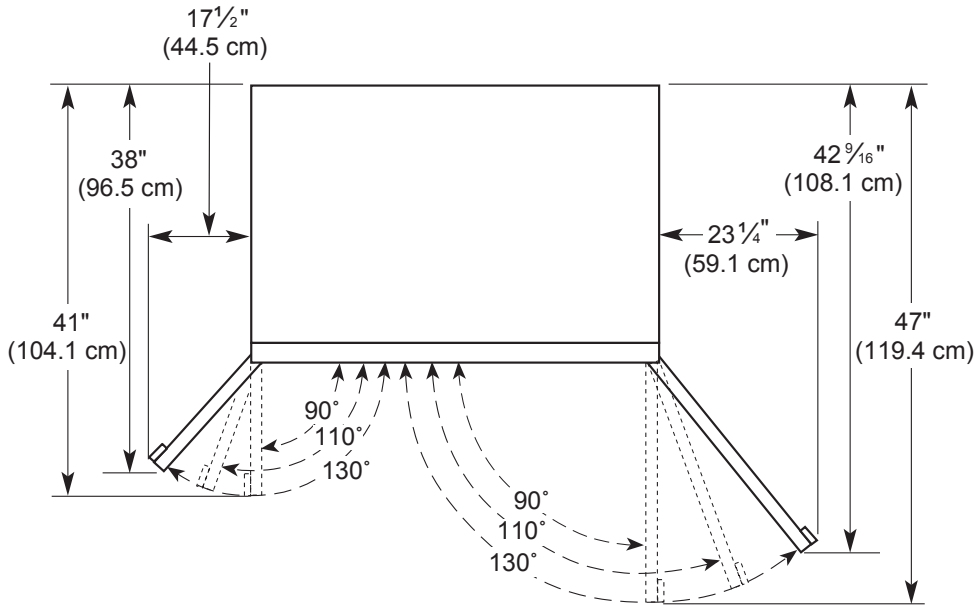
## Door Swing Dimensions

The location must permit both doors to open to a minimum of 90°. Allow 4½" (11.4 cm) minimum space between the side of the refrigerator and a corner wall.

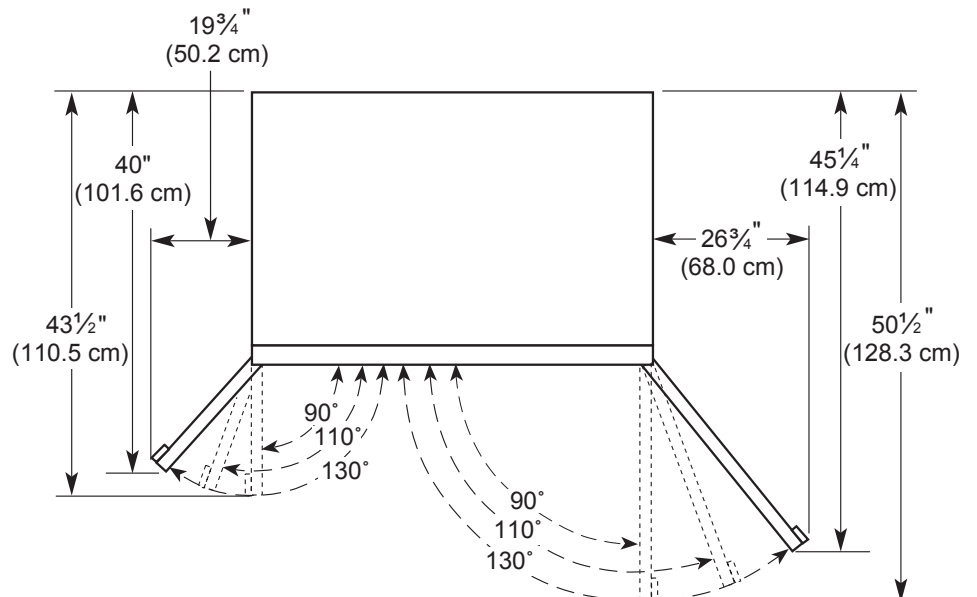
**NOTE:** More clearance may be required if you are using overlay panels, custom handles or extended handles on a IF series model.

To adjust the door swing, see *Adjust Doors*.

### EF42 and IF42 Model Series



### EF48 and IF48 Model Series



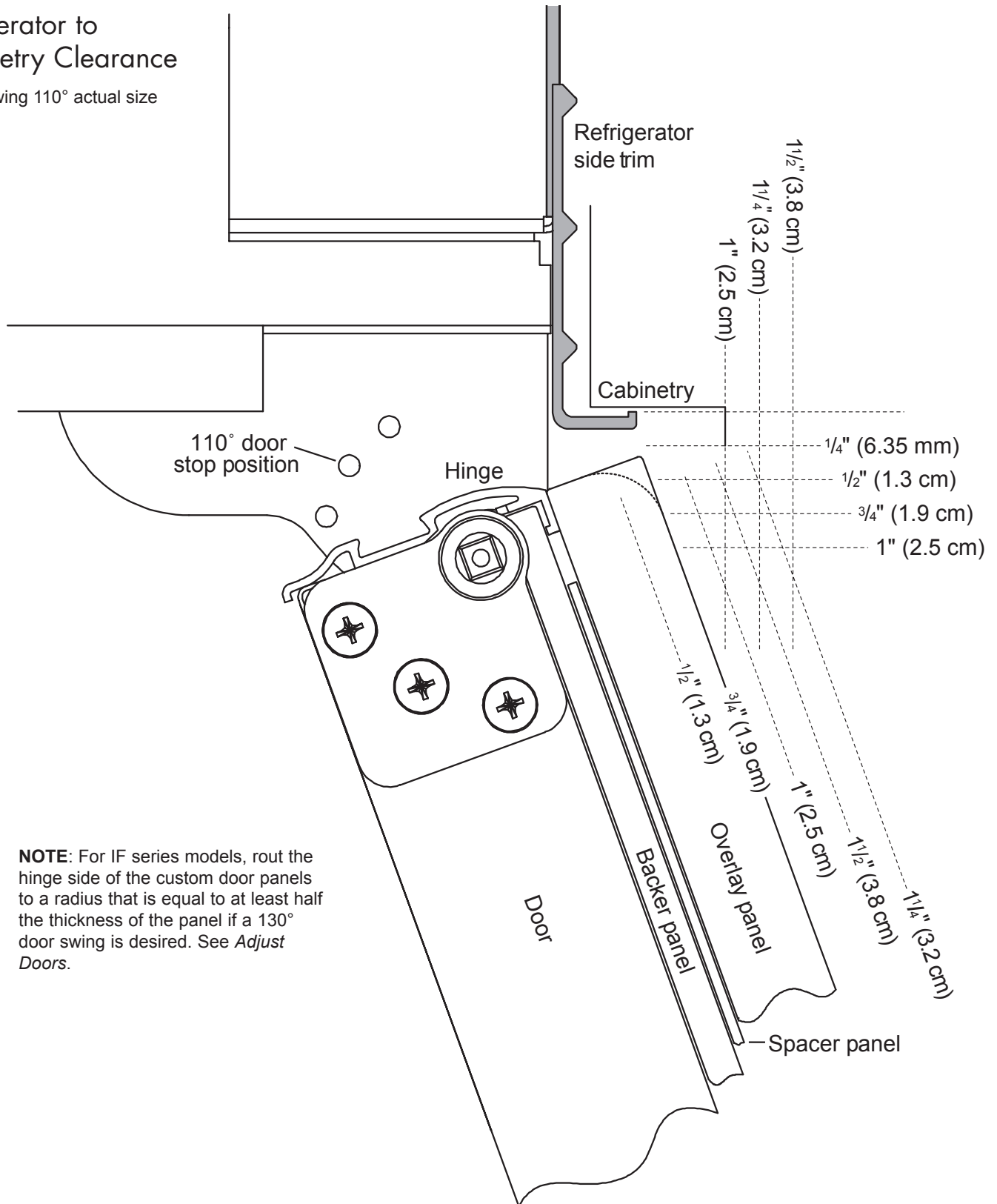
# Installation Requirements

## Door Panels and Cabinetry Clearance - IF42/IF48 Series Models

The custom door panels and adjacent cabinetry for models series IF42 and IF48 must be designed so that there is sufficient clearance for the doors to swing open. If the refrigerator is to be installed close to the wall, see *Door Swing 90°* on facing page.

### Refrigerator to Cabinetry Clearance

Door swing 110° actual size



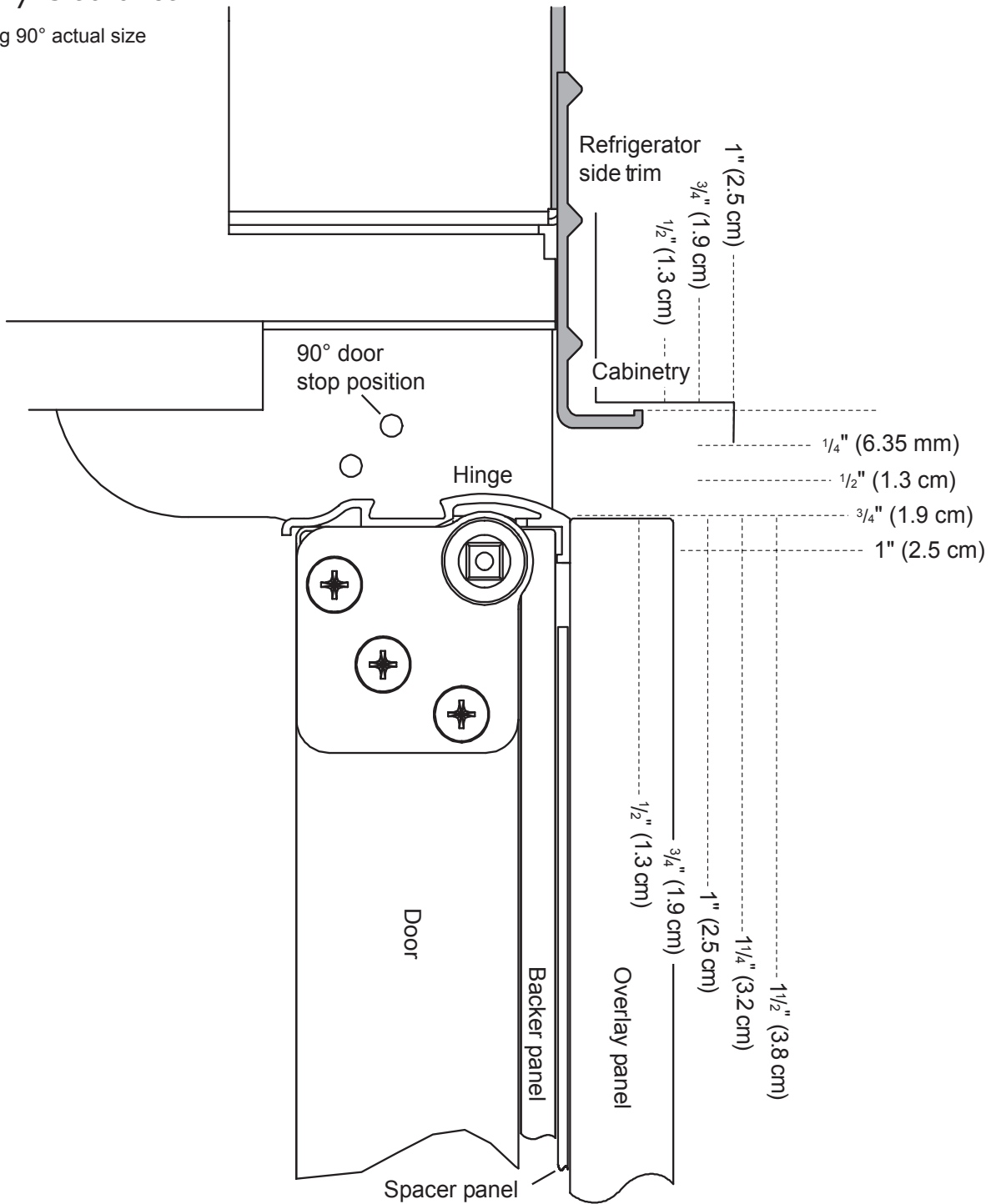
**NOTE:** For IF series models, rout the hinge side of the custom door panels to a radius that is equal to at least half the thickness of the panel if a 130° door swing is desired. See *Adjust Doors*.

When the doors are closed the refrigerator will extend beyond the face of the adjacent cabinetry to some degree.

# Installation Requirements

## Refrigerator to Cabinetry Clearance

Door swing 90° actual size



Allow a minimum of 4 1/2" (11.4 cm) of space between the side of the refrigerator and a corner wall. More clearance may be needed if thicker custom panels or custom handles are used. Do not overlook baseboards.

# Installation Requirements

## Custom Panels and Handles - IF42/IF48 Series Models

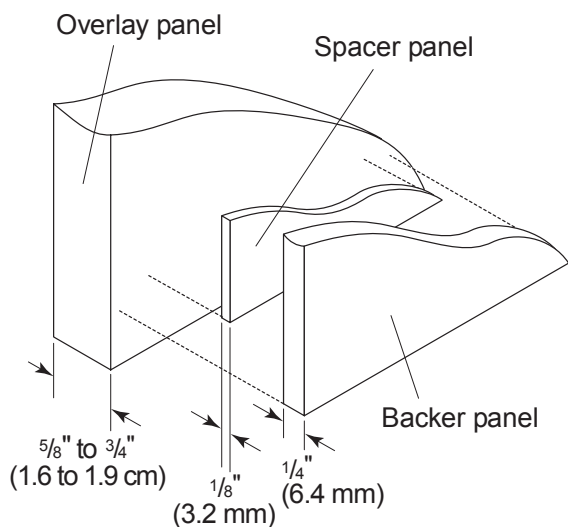
Custom overlay panels used with models IF42 and IF48 allow you to blend the exterior of your refrigerator into the overall kitchen décor, and to use custom handles for additional design flexibility.

### Panel Specifications

- The custom panels must have backer panels attached in order to mount them to the refrigerator. It is most common to work with three layers, as shown in the illustrations below. The three layers consist of a decorative overlay panel, a  $\frac{1}{8}$ " (3.2 mm) spacer panel or spacer strips and a  $\frac{1}{4}$ " (6.4 mm) backer panel.
- In some cases, instead of constructing the panel using three layers, the cabinet manufacturer may choose to work with a single piece routed for the different dimensions. Follow the panel dimension and placement instructions on the facing page to be sure that the custom overlay panels will fit properly.
- To minimize panel weight, you may use 2" (5.1 cm) spacer strips around the perimeter in place of full-sheet solid spacer panels. The spacer strips must be set in at least 1" (2.5 cm) from the top, bottom and side edges of the backer panel. If you use spacer strips, it is also recommended that you use two 2" (5.1 cm) strips horizontally centered for added support.
- For the grille and the door panels to be flush, the overlay door panel should be  $\frac{1}{4}$ " (6.4 mm) thicker than the overlay grille panel.

### IMPORTANT:

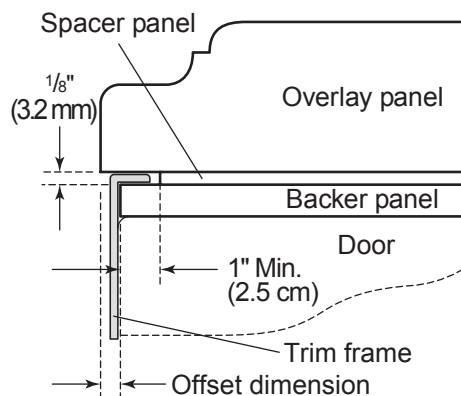
- Install the custom panels only after moving the refrigerator into place (see page 16).
- The weight of the overlay panels cannot exceed:
  - 50 lbs (23 kg) for the refrigerator door
  - 30 lbs (13.5 kg) for the freezer door (total)
  - 10 lbs (4.5 kg) for the top grille



### Important Information About Freezer Door Overlay Panels on Dispenser Models:

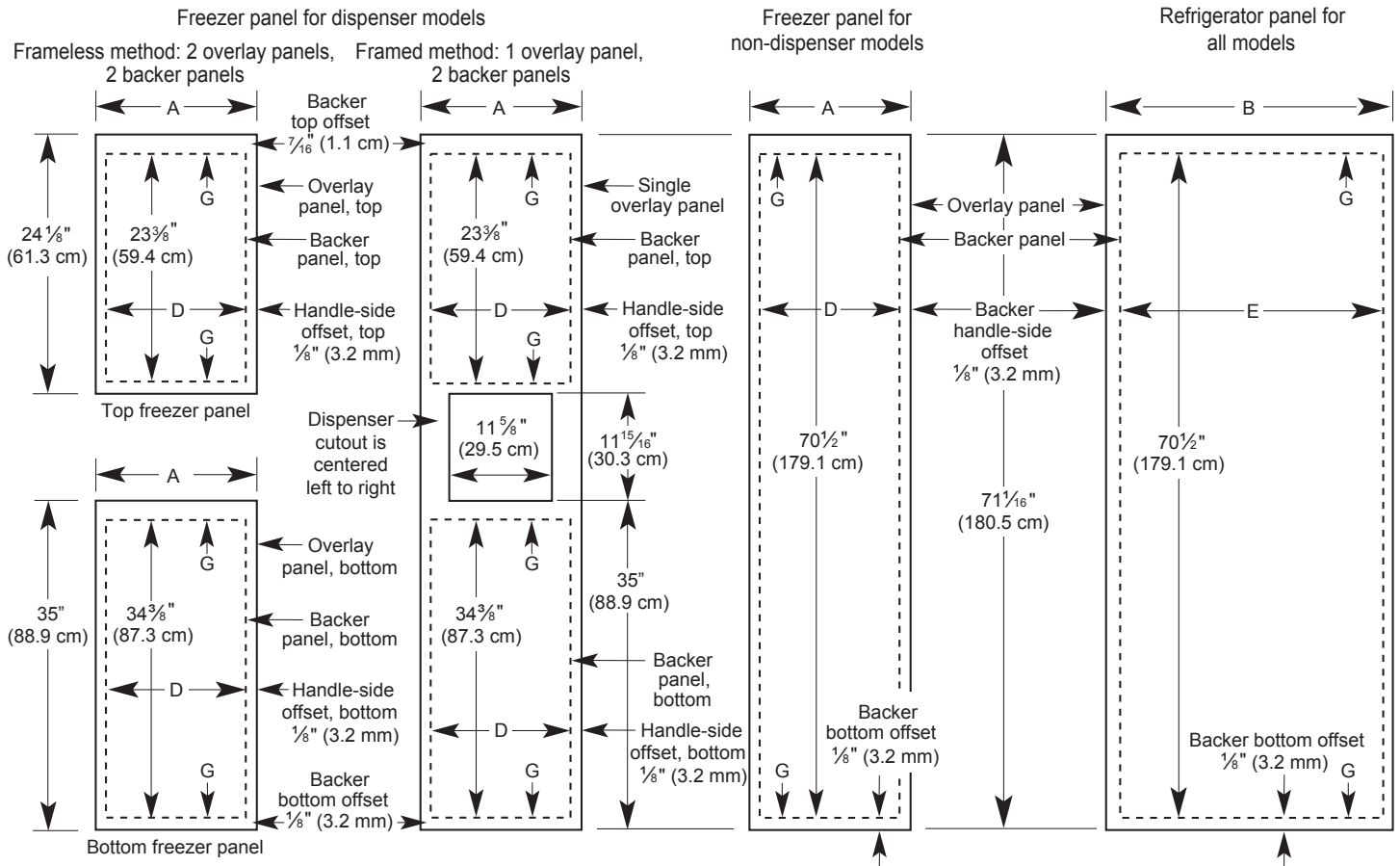
- There are two basic methods for paneling the freezer door on dispenser models:
  - Frameless method
  - Framed method
- The frameless method involves fabricating two separate panels for above and below the dispenser that slide into the trim frame on the door.
- The framed method involves fabricating a single overlay panel and attaching two separate sets of spacer and backer panels above and below the dispenser cutout (see facing page). The completed panel slides into the trim frame on the door as a single unit.

**IMPORTANT:** The dispenser is recessed behind the overlay panel for the freezer door. The edges of the overlay panel around the bottom of the dispenser may be exposed to water during normal use. Seal the area around the dispenser to prevent water seepage and damage. It is suggested that the edges of the panel around the bottom of the dispenser be covered by waterproof material to prevent damage to the finish over time.



\* The spacer panel offset must be a minimum of 1" (2.5 cm) from all four edges of each backer panel, including the edges next to the dispenser (on dispenser models).

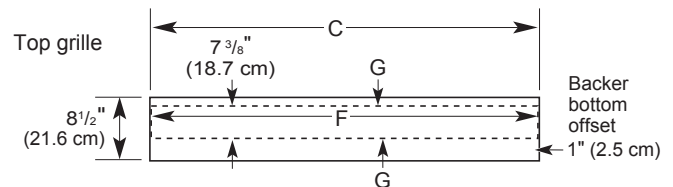
# Installation Requirements



Decorative Overlay Panels			
Model Series	A	B	C
IF42	17 7/8" (43.5 cm)	23 1/8" (58.7 cm)	40 1/2" (102.9 cm)
IF48	19 5/8" (49.8 cm)	26 5/8" (67.6 cm)	46 1/2" (118.1 cm)

Backer Panels			
Model Series	D	E	F
IF42	16 7/8" (42.9 cm)	22 7/8" (58.1 cm)	40 1/2" (102.9 cm)
IF48	19 3/8" (49.2 cm)	26 3/8" (67.0 cm)	46 1/2" (118.1 cm)

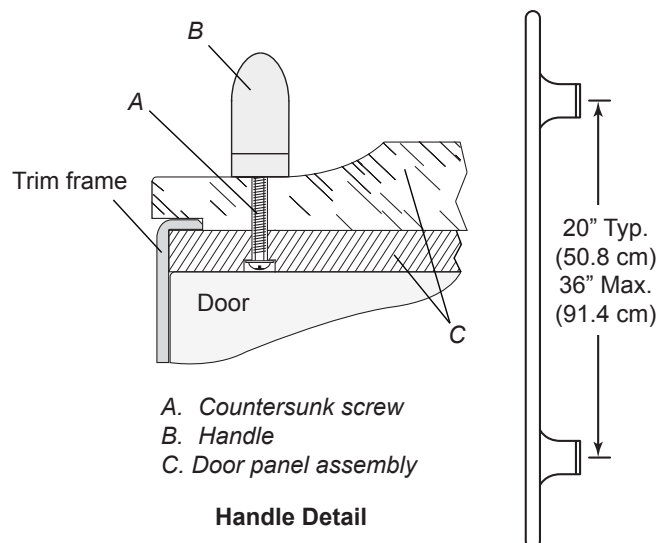


**G** - Denotes top and bottom edges of backer panel that slide into trim frame on door and top grille.

## Handles - IF42/IF48 Series Models

- Before installing a custom panel assembly, you must install the custom handle hardware. The handle and handle mounting hardware are not provided with the refrigerator.
- Dacor recommends handles with larger D-style pulls. Any handle designed for use with an appliance should produce satisfactory results. Handle kits are available through your Dacor dealer.
- Handle kits do not include the necessary mounting screws since screw length required varies with the total thickness of the panels. The panel craftsman must determine and obtain the proper fasteners for the application. If using screws with thick heads, they must be countersunk into the panel before installing the handles.

**IMPORTANT:** Dacor does not advise the use of single pull knobs.



# Installation Requirements

## Custom Side Panels - IF42/IF48

Custom side panels may be needed when not enough space is available to have cabinets on both sides of the refrigerator or when the refrigerator is placed at the end of a cabinet run. You may choose an Inset or Recessed Inset panel installation for models IF42 and IF48.

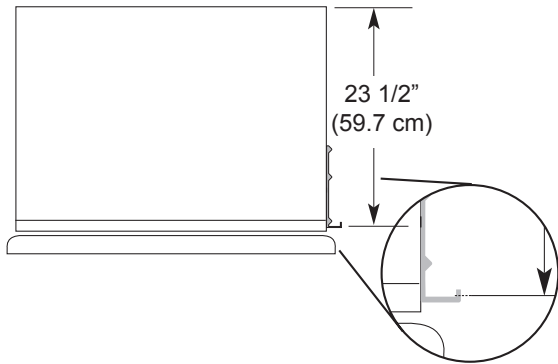
## Refrigerator and Side Trim Dimensions

The width and height of a side panel are determined by the type of installation you are planning.

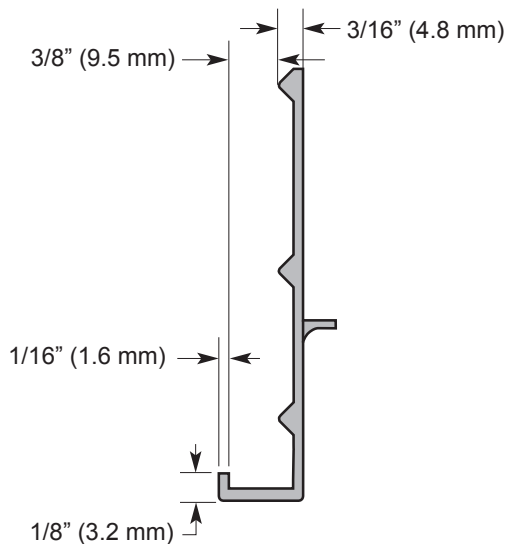
### NOTES:

- The dimensions shown are actual product dimensions and may not reflect the needed installation dimensions.
- The side panel should be a minimum of  $\frac{1}{2}$ " (1.3 cm) thick to avoid warping.
- If the opening depth is 25" (63.5 cm) or more, you may want to install a support board on the rear wall.

### Refrigerator

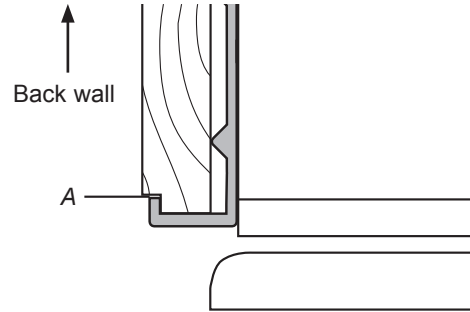


### Side Trim



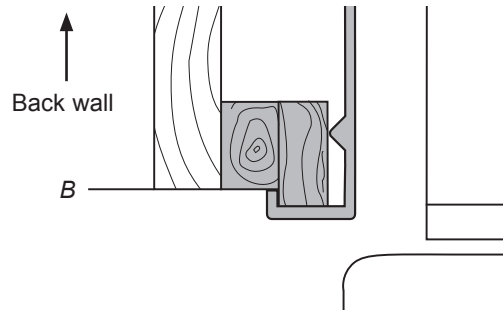
## Inset Installation Dimensions

1. Measure the distance from point A (as shown) to the back wall. Add  $\frac{1}{32}$ " (0.8 mm) to this measurement to allow the side panel to fit into the trim.
2. If the panel is more than  $\frac{3}{8}$ " (9.5 mm) thick, rout the front edge to allow the side panel to fit into the trim.



## Recessed Inset Installation Dimensions

1. Measure the distance from point B (as shown) to back wall.
2. Route the front edge of the support board or attach a  $\frac{3}{8}$ " (9.5 mm) board to hold the panel in the cabinet side trim.



# Installation Requirements

## Custom Side Panels - EF42/EF48

Custom side panels may be needed when not enough space is available to have cabinets on both sides of the refrigerator or when the refrigerator is placed at the end of a cabinet run. You may choose an inset, flush or recessed inset panel installation for models EF42 and EF48.

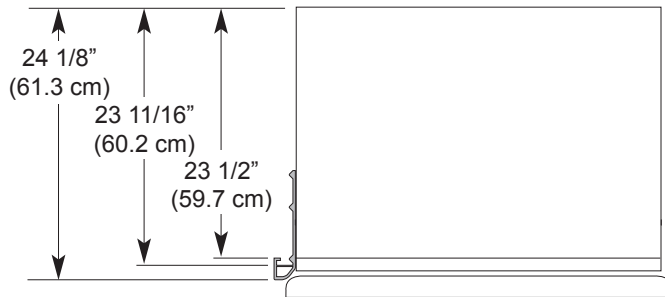
## Refrigerator and Side Trim Dimensions

The width and height of a side panel are determined by the type of installation you are planning.

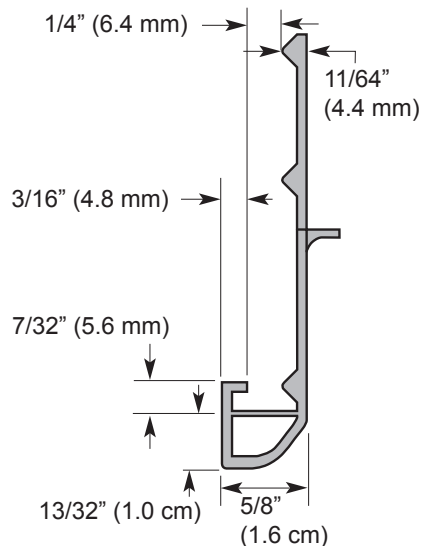
### NOTES:

- The dimensions shown are actual product dimensions and may not reflect the needed installation dimensions.
- The side panel should be a minimum of  $\frac{1}{2}$ " (1.3 cm) thick to avoid warping.
- If the opening depth is 25" (63.5 cm) or more, you may want to install a support board on the rear wall.

### Refrigerator

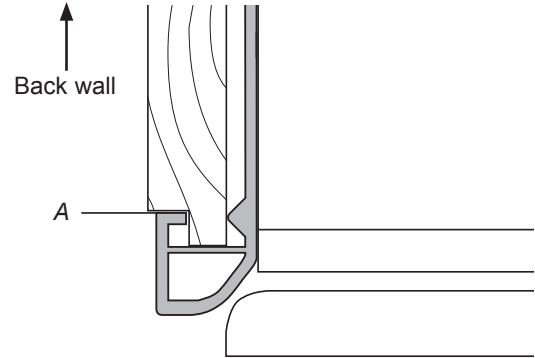


### Side Trim



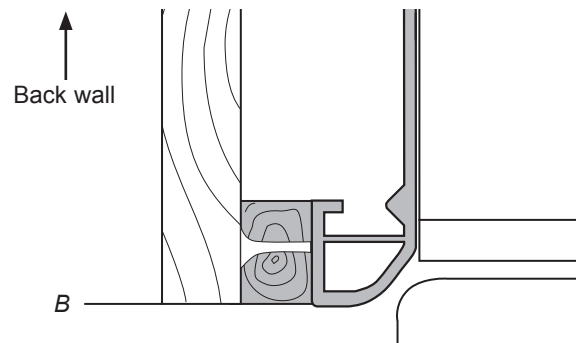
## Inset Installation Dimensions

1. Measure the distance from point A (as shown) to the back wall. Add  $\frac{7}{32}$ " (5.6 mm) to this measurement to allow the side panel to fit into the trim.
2. If the panel is more than  $\frac{1}{4}$ " (6.4 mm) thick, route the front edge to allow the side panel to fit into the trim.



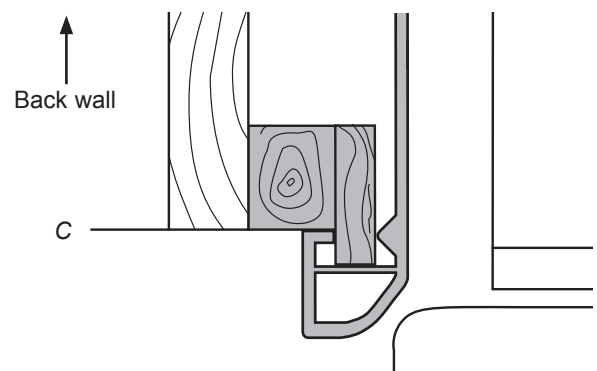
## Flush Installation Dimensions

1. Measure the distance from point B (as shown) to the back wall.
2. Attach the support board with a screw or adhesive that is compatible with aluminum and wood.



## Recessed Inset Installation Dimensions

1. Measure the distance from point C (as shown) to the back wall.
2. Route the front edge of the support board or attach a  $\frac{1}{4}$ " (6.4 mm) board to hold the panel in the cabinet side trim.



# Installation Instructions

## Unpack Refrigerator

### **! WARNING**



#### Tip Over Hazard

Refrigerator is top heavy and tips easily when not completely installed.

Keep doors taped closed until refrigerator is completely installed.

Use two or more people to move and install refrigerator.

Failure to do so can result in death or serious injury.

#### IMPORTANT:

- If you receive a damaged product, immediately contact your dealer or builder. Do not install or use a damaged appliance.
  - Do not remove the film on the outside until the refrigerator is in its operating position.
  - All four leveling legs must contact the floor to support and stabilize the full weight of the refrigerator.
  - Keep the cardboard shipping piece or plywood under the refrigerator until it is installed in the operating position.
1. Remove and save the literature package bag taped to the side of the refrigerator and the parts bag behind the grille. Remove the four brackets (two on each side) that attach the shipping base to the refrigerator bottom.

**NOTE:** Do not remove tape and door bracing until the refrigerator is in its final position.

2. If necessary, reduce the tipping radius. See *Tipping Radius* (page 5) for ceiling height requirements or *Reduce Tipping Radius* for step-by-step instructions. If you do not need to reduce the tipping radius, proceed to *Move the Refrigerator into House*.

## Reduce Tipping Radius

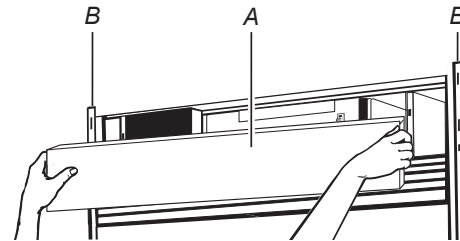
(if required)

Before bringing the refrigerator into the home, be sure there is adequate ceiling height to stand the refrigerator upright. See *Tipping Radius* (page 5).

If you do not have adequate ceiling height to stand the refrigerator upright, the tipping radius can be reduced by removing the top grille and side trims (see the following chart).

Model	Reduced Tipping Radius
EF42, IF42	88½" (224.8 cm)
EF48, IF48	89¼" (226.7 cm)

1. Grasp both ends of the top grille.
2. Push the top grille straight up, then pull straight out. Lay the grille on a soft surface.



A. Top grille  
B. Cabinet side trim

3. Remove the six screws attaching each cabinet side trim to the refrigerator and remove the side trims.

## Move Refrigerator into House

### **! WARNING**



#### Tip Over Hazard

Refrigerator is top heavy and tips easily when not completely installed.

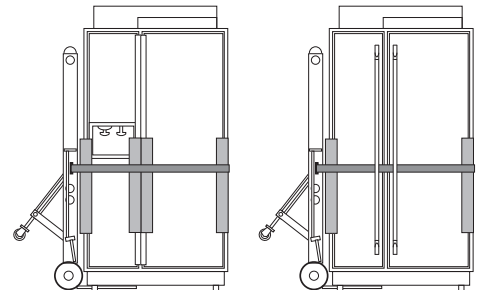
Keep doors taped closed until refrigerator is completely installed.

Use two or more people to move and install refrigerator.

Failure to do so can result in death or serious injury.

1. Place an appliance dolly under the left side of the refrigerator as shown. Be sure to avoid damaging the side trims and handles. Place the corner posts from the packing materials over the trims and handles as appropriate. Slowly tighten the strap.

**NOTE:** Pass the dolly strap under the handles for EF series models.



2. Place pieces of the shipping carton on the floor when rolling the dolly and refrigerator into the house. Move the refrigerator close to the built-in opening.
3. Place top of cardboard carton or plywood under refrigerator.
4. Stand the refrigerator up. First, place the left bottom edge of the refrigerator on the floor, stand the refrigerator upright and then lower the right-hand side of the refrigerator to the floor.
5. Do not remove the film on the outside.
6. Reassemble the trim and top grille after the dolly has been removed from the refrigerator.



# Installation Instructions

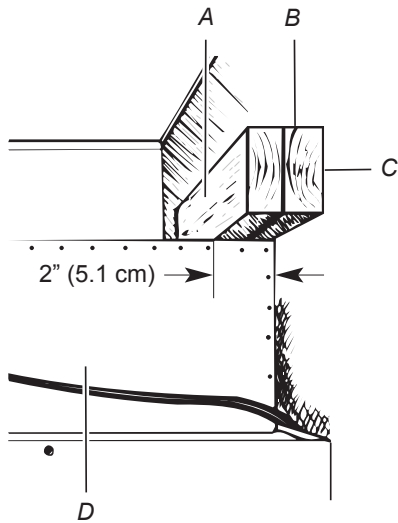
## Install Anti-Tip Boards

### IMPORTANT:

- To avoid tipping during use, the solid soffit must be within 1" (2.5 cm) maximum above the refrigerator. If the solid soffit is higher than 1" (2.5 cm) or one is not available, then the refrigerator must be braced.
- It is recommended that board(s) be installed before the refrigerator is installed.
- Board(s) must be long enough to fully cover the width of the compressor cover.
- Locate the board(s) so the bottom surface(s) of the board(s) is (are) 84" (213.4 cm) from the floor.
- During installation, raise the refrigerator up so there is ¼" (6.4 mm) maximum between the top of the refrigerator and the bottom of the anti-tip board(s). Do not crush the compressor cover when raising the rear leveling legs.

### To Install Anti-tip Boards

1. Mark the stud locations on rear wall 80" to 90" (203.2 cm to 228.6 cm) above floor.
2. Securely attach one or two 2" x 4" x 32" (5.1 cm x 10.2 cm x 81.3 cm) boards to wall studs behind refrigerator. Use six #8 x 3" (7.6 cm) (or longer) wood screws. The wood screws must be screwed into the studs at least 1½" (3.8 cm). The board(s) must overlap the compressor cover.



- A. Center board ¼" (6.4 mm) max. above refrigerator
- B. Two 2" x 4" x 32" (5.1 cm x 10.2 cm x 81.3 cm) boards
- C. Attach to studs with six #8 x 3" (7.6 cm) screws
- D. Compressor cover

## Connect Water Supply

Read all directions before you begin.

**IMPORTANT:** If you turn the refrigerator on before the water line is connected, turn the ice maker OFF.

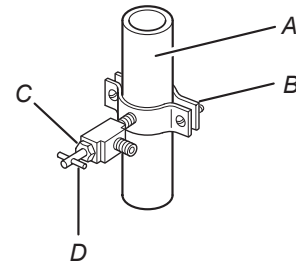
### Install Saddle Valve

**NOTE:** If the existing water line meets the *Water Supply Requirements*, see *Connecting to Refrigerator*.

1. Unplug the refrigerator or disconnect power.
2. Turn OFF the main water supply. Turn ON the nearest faucet long enough to clear the line of water.
3. Locate a ½" to 1¼" (1.3 cm to 3.2 cm) vertical cold water pipe near the refrigerator.

### IMPORTANT:

- Make sure it is a cold water pipe.
  - A horizontal pipe will work, but drill on the top side of the pipe, not the bottom. Doing so will help keep water away from the drill and normal sediment from collecting in the valve.
4. Using a cordless drill, drill a ¼" (6.4 mm) hole in the cold water pipe you have selected.
  5. Fasten the shutoff valve to the cold water pipe with the pipe clamp. Be sure the outlet end is solidly in the ¼" (6.4 mm) drilled hole in the water pipe and that the washer is under the pipe clamp. Tighten the packing nut. Tighten the pipe clamp screws slowly and evenly so the washer makes a watertight seal. Do not overtighten.



- A. Cold water pipe
- B. Pipe clamp
- C. Packing nut
- D. Shutoff valve

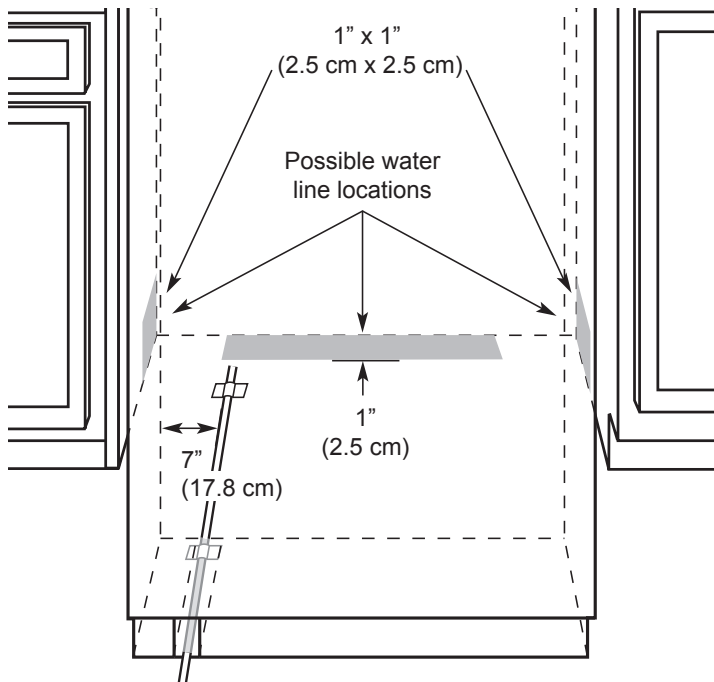
6. Turn on the main water supply.
7. Check for leaks around the saddle valve.

**IMPORTANT:** Before attaching the water supply line to the shutoff valve, flush the main water supply line to remove particles and air in the water line. Allow enough flow so that the water becomes clear. Flushing the water line may help avoid filters and/or water valves from becoming clogged.

# Installation Instructions

## Connect Water Supply (Cont.)

### Connecting to Refrigerator



**NOTE:** The flexible codes approved water supply line can connect to the supply valve through the floor or through the side cabinets, as indicated by the gray boxes above.

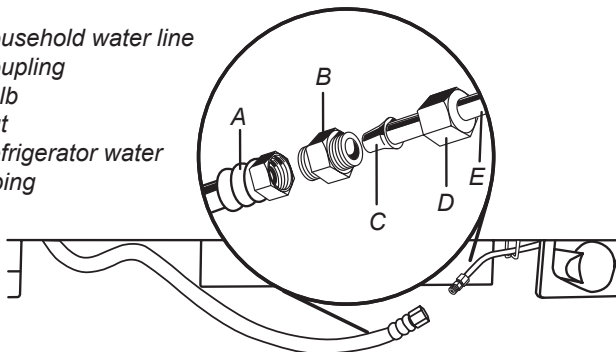
1. Unplug the refrigerator or disconnect power.
2. Connect the 7 ft (2.1 m) minimum flexible codes approved water tube to the water supply valve.
3. Flush the main water supply line to remove particles and air in the water line. Allow enough flow so that the water becomes clear.
4. Tape the water supply line to the floor, 7" (17.8 cm) from the left side of the refrigerator. Tape along the length of the tubing, which will allow it to pass beneath the refrigerator without interference.

**NOTE:** Allow a minimum of 26" (66.0 cm) of flexible codes approved water supply line to be loose at the front of the refrigerator for connecting to the household water line.

5. Connect the water supply line to the refrigerator.

**NOTE:** If the main water shutoff valve is behind the refrigerator, a secondary water shutoff valve may be installed in line with the water supply line at the front of the product.

- A. Household water line
- B. Coupling
- C. Bulb
- D. Nut
- E. Refrigerator water tubing



6. Turn on the water valve and check all connections for leaks.

## Plug in Refrigerator

### ⚠ WARNING



#### Electrical Shock Hazard

Plug into a grounded 3 prong outlet.

Do not remove ground prong.

Do not use an adapter.

Do not use an extension cord.

Failure to follow these instructions can result in death, fire, or electrical shock.

1. Set control switch at top of cabinet to the **OFF** position.
2. Plug into a grounded 3 prong outlet.

## Move to Final Location

### ⚠ WARNING



#### Tip Over Hazard

Refrigerator is top heavy and tips easily when not completely installed.

Keep doors taped closed until refrigerator is completely installed.

Use two or more people to move and install refrigerator.

Failure to do so can result in death or serious injury.

**IMPORTANT:** To avoid floor damage, make sure levelers are raised (not touching floor) and refrigerator is on rollers before moving.

1. Place top of cardboard carton or plywood under refrigerator. Remove dolly.
2. Do not remove the film on the outside.
3. Move the refrigerator straight back and evenly into the opening. Be sure the refrigerator side trims do not interfere with the door opening. Also, be sure that the water tubing is not kinked and the power cord is on top of the refrigerator.

# Installation Instructions

## Level and Align Refrigerator

### **⚠ WARNING**



#### Tip Over Hazard

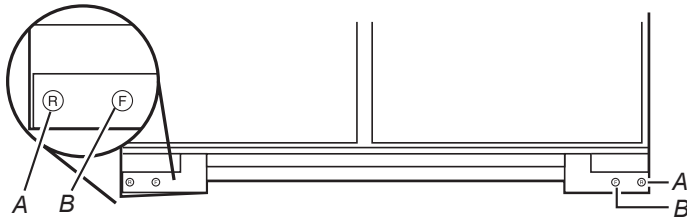
Refrigerator is top heavy and tips easily when not completely installed.

Keep doors taped closed until refrigerator is completely installed.

Use two or more people to move and install refrigerator.

Failure to do so can result in death or serious injury.

**IMPORTANT:** All four leveling legs must contact the floor to support and stabilize the full weight of refrigerator. Rollers are for moving refrigerator and not for permanent support.



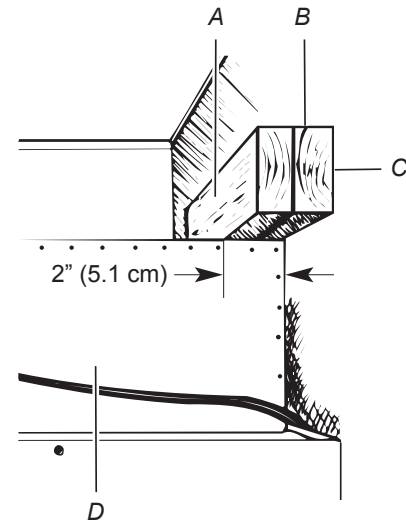
A. Rear leveling bolt  
B. Front leveling bolt

#### After moving the refrigerator to its final location:

1. Use a  $\frac{5}{16}$ " socket driver to turn the leveling bolts clockwise to extend the legs to the floor as shown. The rollers should be off the floor.
2. Adjust the leveling legs to level and align the refrigerator from left to right and front to back so that the refrigerator is level and aligned with the cabinetry. The cabinetry surface must be plumb for the ideal fit of the refrigerator side trim.

3. Continue adjusting all of the leveling legs to raise the refrigerator until the top is within at least 1" (2.5 cm) of the top soffit.

**NOTE:** If an anti-tip board has been used, adjust the leveling legs until the top of the refrigerator is within  $\frac{1}{4}$ " (6.4 mm) of the bottom of the anti-tip board as shown. Do not crush the compressor cover.



- A. Center board  $\frac{1}{4}$ " (6.4 mm) max. above refrigerator  
B. Two 2" x 4" x 32" (5.1 cm x 10.2 cm x 81.3 cm) boards  
C. Attach to studs with six #8 x 3" (7.6 cm) screws  
D. Compressor cover

**IMPORTANT:** Adjust in small increments to keep from damaging the cabinet trim and causing problems with the door alignment or top grille fit. To avoid damage to the cabinet or leveling legs, do not apply more than 50 inch-pounds (5.7 Nm) of torque to the leveling bolts. The leveling legs can be extended to a maximum of  $\frac{1}{4}$ " (3.2 cm) below the rollers.

4. For IF series models, additional adjustments may be needed after the custom panels are installed.

# Installation Instructions

## Custom Panel and Handle Installation - IF42/IF48 Series Models

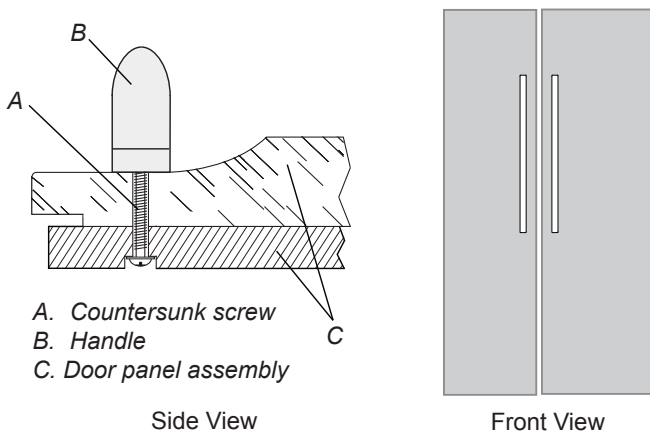
### IMPORTANT:

- Install the custom handles prior to installing the panels on the refrigerator.
- Create custom door overlay panels according to the specifications in the *Custom Panels and Handles* section.
- Dacor is not responsible for customer installed molding or decorative panels that need to be removed or replaced to service the refrigerator.

### Handle Installation

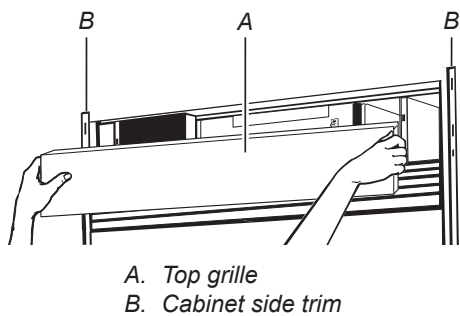
Before installing a custom panel assembly, install the custom handle hardware.

Counter-sink the screw head into the back of the panel to allow the panel to slide into place smoothly and for proper fit.

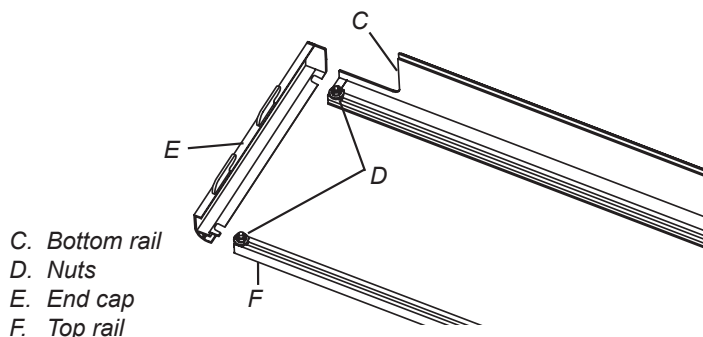


### Top Grille Panel Installation

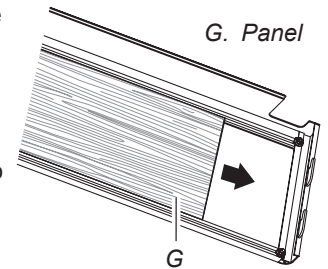
1. Grasp both ends of the top grille. Push straight up, then pull straight out. Place the top grille panel-side down on a soft working surface.



2. Remove one end cap by loosening the nuts and sliding off the end cap.

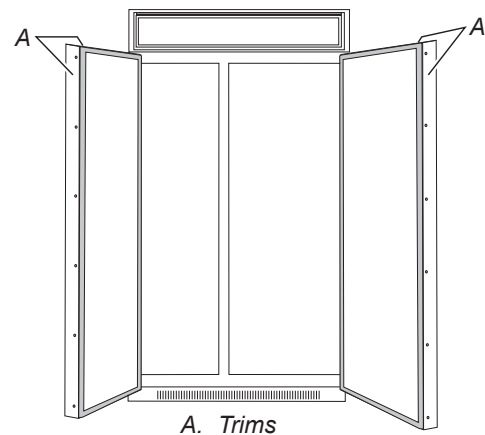


3. Slide the panel into the top grille channel and reattach the end cap.
4. Replace the top grille in the cabinet side trims and pull the panel down slightly to lock it into place.

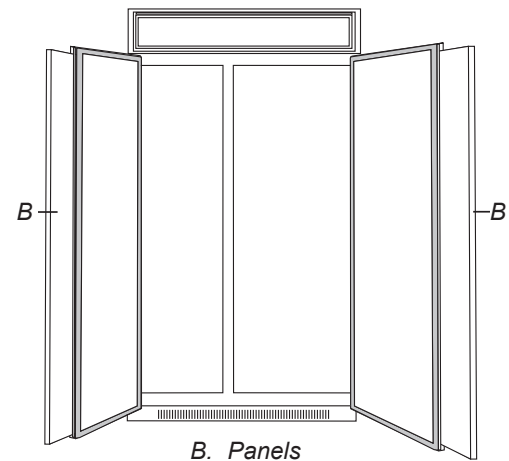


### Door Panel Installation

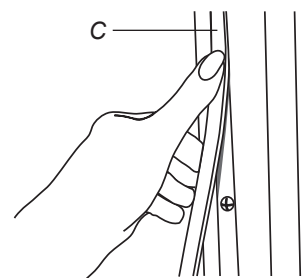
1. Remove all tape and door bracing from the refrigerator and freezer doors.
2. Open the refrigerator and freezer compartment doors.
3. Remove the handle side and top trims.



4. Slide the custom panels into the bottom and hinge side trims on the refrigerator compartment and freezer compartment doors, making sure that the backer panel fits into the hinge side trims.



5. Reinstall the handle-side and top trims.
6. Remove the film from the screw covers C. Slide or snap the screw covers into the handle trim section.
7. Check refrigerator level and alignment. Adjust if needed.



# Installation Instructions

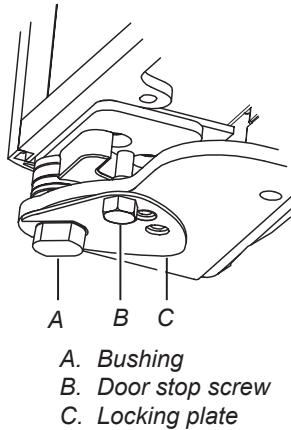
## Adjust Doors

### Door Height Adjustment

1. Use the following steps to adjust the door height, up or down, after the doors have been leveled. Open the freezer or refrigerator door. Locate the bottom hinge and remove the door stop screw.

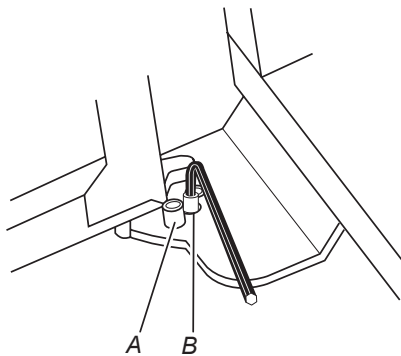
#### EF Series Models

Remove the door stop screw from the bottom side of the hinge with a  $\frac{3}{8}$ " open end wrench.

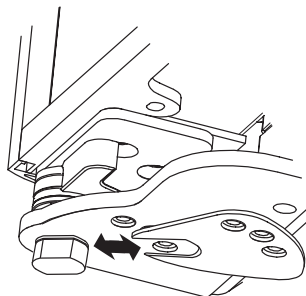


#### Overlay Models

Remove the two door stop screws: one from the bottom side using a  $\frac{3}{8}$ " open end wrench and one from the top side using a  $\frac{5}{32}$ " hex key.



2. Remove the locking plate as shown.



3. Turn the bushing located underneath the bottom of the hinge using a  $\frac{1}{2}$ " open end wrench. Turning the bushing to the left (counterclockwise) will raise the door. Turning the bushing right (clockwise) will lower the door.

4. After adjusting, check the doors to make sure they are even at the top and bottom. If the doors are not even, continue to turn the bushing to adjust the door height.

5. Replace the locking plate.

6. Turn the bushing slightly to align the hinge and locking plate screw holes.

7. Replace the door stop screw or screws and tighten.

**IMPORTANT:** Do not place the door stop screw in the 130° position on Overlay Series models unless the custom panels have been routed on the hinge side. See *Door Panels and Cabinetry Clearance*.

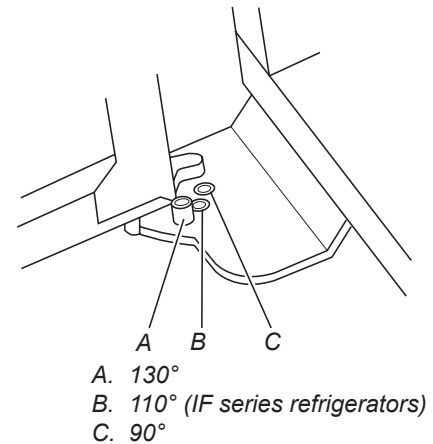
8. Make final recheck to make sure the doors are aligned and even.

### Door Swing Adjustment

1. Check that the refrigerator door can open freely. If the door opens too wide, remove the door stop screw or screws (depending on your model) from the bottom hinge. See *Door Height Adjustment* earlier in this section.

2. Hold the door open to a position that is less than 90°.

3. Replace the door stop screw or screws in the bottom hinge and tighten.

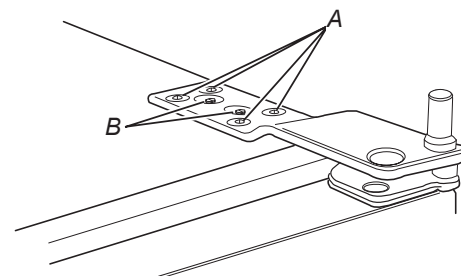


### Door-to-Door or Door-to-Refrigerator Trim Adjustment

1. Loosen, but do not remove, the four Torx® 27 flat-head mounting screws and the two  $\frac{1}{4}$ " hex head mounting screws.

2. Adjust the top hinge of either door to align it with the other door or the refrigerator trim.

3. Tighten the four Torx® 27 flat-head mounting screws to a torque of approximately 100 inch-pounds (11.3 Nm) and tighten the two  $\frac{1}{4}$ " hex head mounting screws.



A. Torx® 27 flat-head mounting screws  
B.  $\frac{1}{4}$ " hex-head mounting screws

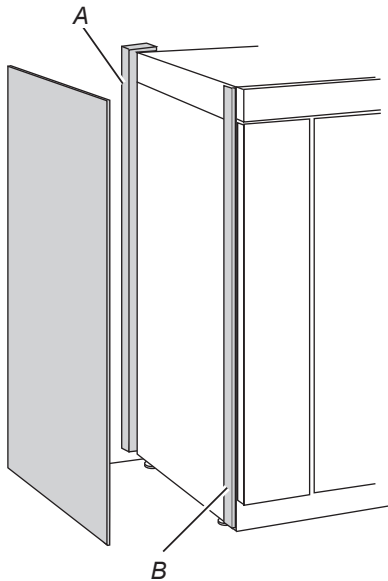
# Installation Instructions

## Install Side Panel(s)

If the built-in area depth is 25" (63.5 cm) or more, the side panels can be installed inside the side trim or attached to the outside of the side trim.

**IMPORTANT:** Dacor is not responsible for customer installed molding or decorative panels that need to be removed or replaced to service the refrigerator.

1. For the inside side trim piece, slide the front edge of the routed side panel into the trim piece.
2. Nail the rear edge of the panel to the support board.



A. Support board (mounted to back wall)  
B. Cab side trim

## Install Base Grille

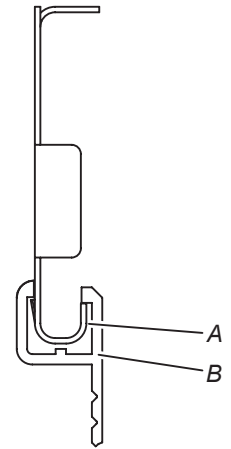
There are two pieces to the base grille to allow for a custom fit: the base grille itself and the skirt. The skirt can be added to the base grille in order to extend it all the way to the floor.

1. To see if the skirt is needed, place the base grille into position. Do not attach the base grille to the refrigerator. Measure the distance between the bottom of the base grille and the floor. The gap must be a minimum of 1/2" (1.3 cm) in order to add the skirt.

**NOTE:** If the gap measures less than 1/2" (1.3 cm), skip steps 3 and 4 of the instructions, and install the base grille only.

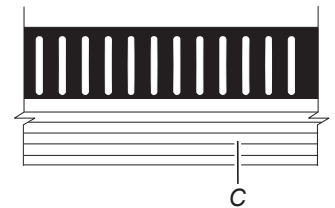
2. Remove the film from the base grille.

3. Snap the skirt onto the base grille.



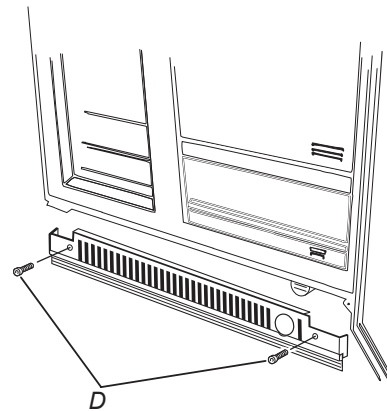
A. Base grille  
B. Skirt

4. Trim the skirt by scoring the proper "V" groove with a utility knife. Break the skirt at the score line.



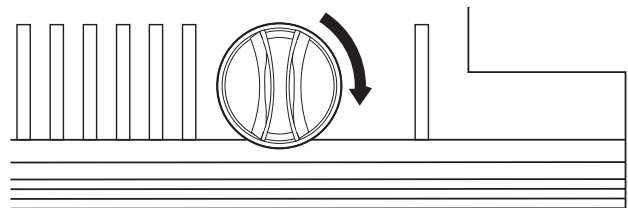
C. "V" groove

5. Using the two screws, attach the base grille assembly to the refrigerator as shown.



D. Screws (2)

6. Install the water filter and rotate it one-quarter turn to the right. It may be hard to turn. The cap should be in the horizontal position.





# Installation Instructions

## Complete Installation

1. Turn the water supply line valve to the "Open" position.
2. Turn the refrigerator switch to the ON position. See *Power On/Off Switch* in the use and care manual for instructions. Wait a few minutes. Check the water line connections for leaks.
3. Remove all boxes, parts packages and packing materials from the interior of the refrigerator. See the *Care and Cleaning* section in the use and care manual for instructions. Remove the film and cardboard from the grille and doors or door frame, depending on your model.
4. Install the shelves and bins in the refrigerator and freezer compartments.
5. The controls are preset at the factory to the midpoint setting. Check that the compressor is operating properly and that all the lights are working.
6. Flush the water system before use. See *Water System Preparation*.

To get the most efficient use from your new built-in refrigerator, read your use and care manual. Keep Installation Instructions and the use and care manual near the refrigerator for easy reference.

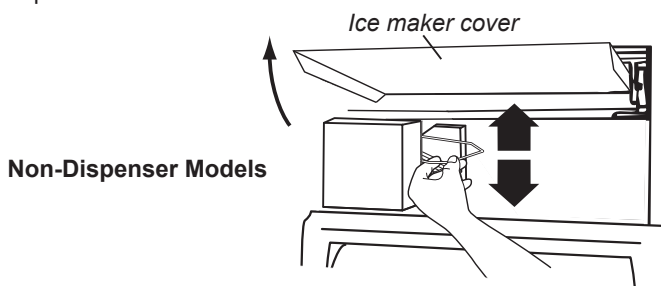
## Water System Preparation

Please read before using the water system.

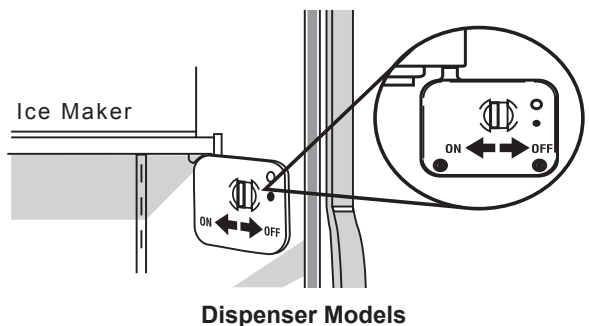
Immediately after installation, follow the steps below to make sure that the water system is properly cleaned.

**Do not use with water that is microbiologically unsafe or of unknown quality without adequate disinfection before or after the system. Systems certified for cyst reduction may be used on disinfected waters that may contain filterable cysts.**

1. Open the freezer door and turn off the ice maker.  
For non-dispenser models, lift up the ice maker cover, then, lift up the wire shutoff arm as shown.



For dispenser models, move the switch to the **OFF** (right) setting as shown. The On/Off switch is located on the top right side of the freezer compartment.



**NOTE:** If your model has a base grille filter system, make sure the base grille filter is properly installed and the cap is in the horizontal position.

2. Dispenser models: Use a sturdy container to depress and hold the water dispenser lever for 5 seconds, then release it for 5 seconds. Repeat until water begins to flow. Once water begins to flow, continue depressing and releasing the dispenser lever (5 seconds on, 5 seconds off) until a total of 3 gal. (12L) has been dispensed. Additional flushing may be required in some households.

**NOTE:** As air is cleared from the system, water may spurt out of the dispenser.

3. Open the freezer door and turn on the ice maker. For non-dispenser models, lower the wire shutoff arm. For dispenser models, move the switch to the ON (left) position.
  - Allow 24 hours to produce the first batch of ice.
  - Before using the ice, fill and discard two containers of ice to prepare the filter for use.
  - Depending on your model, you may want to select the maximum ice feature to increase the production of ice.

Any questions or problems with this installation should be directed to your Dacor dealer or the Dacor Customer Service Team at (800) 793-0093 or visit our web site at [www.Dacor.com](http://www.Dacor.com).

If you need service, be sure to have the model and serial numbers when you call. You'll find these numbers on the serial number plate, located on the right hand side of the fresh food compartment.





## Free Manuals Download Website

<http://myh66.com>

<http://usermanuals.us>

<http://www.somanuals.com>

<http://www.4manuals.cc>

<http://www.manual-lib.com>

<http://www.404manual.com>

<http://www.luxmanual.com>

<http://aubethermostatmanual.com>

Golf course search by state

<http://golfingnear.com>

Email search by domain

<http://emailbydomain.com>

Auto manuals search

<http://auto.somanuals.com>

TV manuals search

<http://tv.somanuals.com>