



Installation Instructions

36 Inch Built-In Refrigerator

Models: EF36LNBSS, EF36RNBSS, IF36LNBOL, IF36RNBOL

Table of Contents

Refrigerator Safety	1	Installation Instructions	13-20
Model Identification	2	Unpack Refrigerator.....	13
Installation Requirements	3-12	Reduce Tipping Radius.....	13
Tools and Parts.....	3	Move Refrigerator into House.....	13
Location Requirements.....	3-4	Install Anti-Tip Boards.....	14
Electrical Requirements.....	4	Connect Water Supply.....	14-15
Water Supply Requirements.....	5	Plug in Refrigerator.....	15
Tipping Radius.....	5	Move to Final Location	15
Product Dimensions.....	6	Level and Align Refrigerator	16
Door Swing Dimensions	6	Custom Panel and Handle Installation	17-18
Door Panels and Cabinet Clearance	7-8	Adjust Doors	18
Custom Panels and Handles	9-10	Install Side Panel(s).....	19
Custom Side Panels	11-12	Install Base Grille.....	19
		Complete Installation	20
		Water System Preparation.....	20
		Français	21-42

Customer Service Information

If you have questions or problems with installation, contact your Dacor® dealer or the Dacor Customer Service Team. For repairs to Dacor appliances under warranty call the Dacor Distinctive Service line. Whenever you call, have the model and serial number of the appliance ready. These numbers are found on a label located on the inside wall of the refrigerator compartment.

Dacor Customer Service

Phone: (800) 793-0093 (U.S.A. and Canada)
Monday — Friday 6:00 A.M. to 5:00 P.M. Pacific Time

Web site: www.Dacor.com

Dacor Distinctive Service (repairs under warranty only)

Phone: (877) 337-3226 (U.S.A. and Canada)
Monday — Friday 6:00 A.M. to 4:00 P.M. Pacific Time

**All specifications subject to change without notice.
Dacor assumes no liability for changes to specifications.**

Refrigerator Safety

Your safety and the safety of others are very important.

We have provided many important safety messages in this manual and on your appliance. Always read and obey all safety messages.



This is the safety alert symbol.

This symbol alerts you to potential hazards that can kill or hurt you and others.

All safety messages will follow the safety alert symbol and either the word "DANGER" or "WARNING." These words mean:

⚠ DANGER

You can be killed or seriously injured if you don't immediately follow instructions.

⚠ WARNING

You can be killed or seriously injured if you don't follow instructions.

All safety messages will tell you what the potential hazard is, tell you how to reduce the chance of injury, and tell you what can happen if the instructions are not followed.

IMPORTANT SAFETY INSTRUCTIONS

WARNING: To reduce the risk of fire, electric shock, or injury when using your refrigerator, follow these basic precautions:

- Plug into a grounded 3 prong outlet.
- Do not remove ground prong.
- Do not use an adapter.
- Do not use an extension cord.
- Disconnect power before servicing.
- Replace all parts and panels before operating.
- Remove doors from your old refrigerator.
- Use nonflammable cleaner.
- Keep flammable materials and vapors, such as gasoline, away from refrigerator.
- Use two or more people to move and install refrigerator.
- Disconnect power before installing ice maker (on ice maker kit ready models only).
- Use a sturdy glass when dispensing ice (on some models).

SAVE THESE INSTRUCTIONS

⚠ WARNING



Tip Over Hazard

Refrigerator is top heavy and tips easily when not completely installed.

Keep doors taped closed until refrigerator is completely installed.

Use two or more people to move and install refrigerator.

Failure to do so can result in death or serious injury.

Proper Disposal of Your Refrigerator

⚠ WARNING

Suffocation Hazard

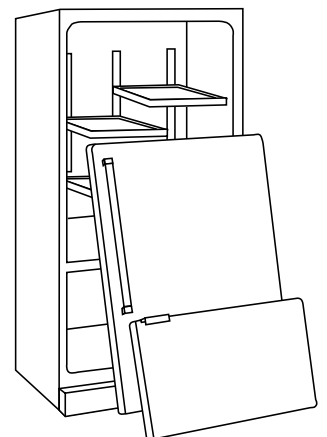
Remove doors from your old refrigerator.

Failure to do so can result in death or brain damage.

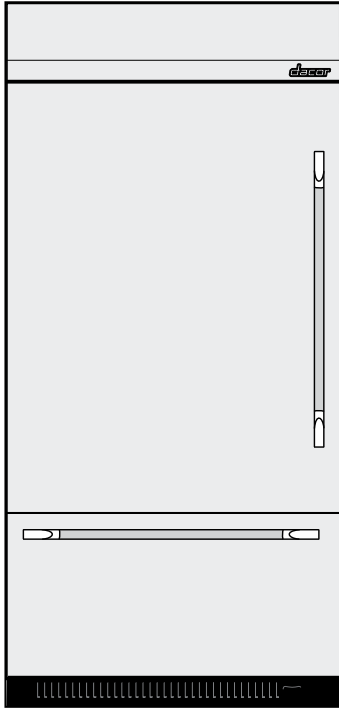
IMPORTANT: Child entrapment and suffocation are not problems of the past. Junked or abandoned refrigerators are still dangerous, even if they sit out for "just a few days." If you are getting rid of your old refrigerator, please follow the instructions below to help prevent accidents.

Before you throw away your old refrigerator or freezer:

- Take off the doors.
- Leave the shelves in place so children may not easily climb inside.



Model Identification



EF36LNBSS

Refrigerator equipped with stainless steel doors. Top door is hinged on left, handle mounts on right.



EF36RNBSS

Refrigerator equipped with stainless steel doors. Top door is hinged on right, handle mounts on left.



IF36LNBOL

Refrigerator equipped with unfinished doors designed for installation of custom panels and handles. Top door is hinged on left, custom handle mounts on right.



IF36RNBOL

Refrigerator equipped with unfinished doors designed for installation of custom panels and handles. Top door is hinged on right, custom handle mounts on left.

Installation Requirements

Tools and Parts

Tools needed:

Gather the required tools and parts before starting installation. Read and follow the instructions provided with any tools listed here.

- Cordless drill
- Drill bits
- Two adjustable wrenches
- Phillips screwdriver
- Small level
- Appliance dolly
- Torx^{®†} T15 and T27 screwdrivers
- 1½" nut driver
- ¾" and ½" open end wrenches
- Allen wrench (5/32")
- ¼" and 5/16" socket drivers
- Tape measure
- Utility knife


PARTS NEEDED:

- Six #8 x 3" (7.6 cm) wood screws (longer screws may be needed).
- One or two 2" x 4" x 32" (5.1 cm x 10.2 cm x 81.3 cm) wood board(s).
- Minimum 7 ft (2.1 m) flexible codes approved water supply line.
- EF series models: Dacor handle kit.
- IF series models: Consult a qualified cabinetmaker or carpenter to make the panels. See the *Installation Requirements* section for more information.

Location Requirements

Your Dacor refrigerator can be recessed in an opening between cabinets or installed at the end of a cabinet run using a side panel to enclose the refrigerator.

⚠ WARNING



Explosion Hazard

Keep flammable materials and vapors, such as gasoline, away from refrigerator.

Failure to do so can result in death, explosion, or fire.

IMPORTANT:

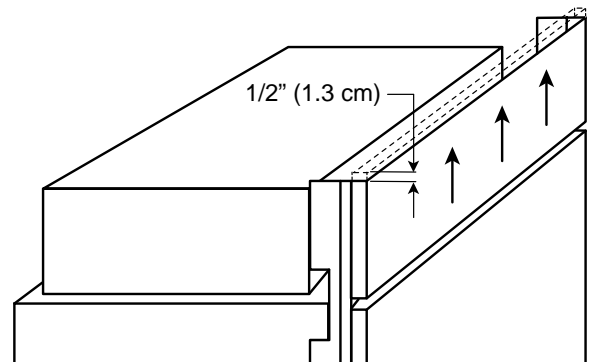
- Observe all governing codes and ordinances.
- It is recommended that you do not install the refrigerator near an oven, radiator, or other heat source.
- Do not install in a location where the temperature will fall below 55°F (13°C).
- Floor must support the refrigerator weight, more than 600 lbs (272 kg), door panels and contents of the refrigerator.
- Ceiling height must allow for side tipping radius. See *Tipping Radius*.
- Location should permit doors to open fully. See *Door Swing Dimensions*.
- Location must permit top grille removal. See *Opening Dimensions*.

Opening Dimensions

- To avoid tipping during use, the solid soffit must be within 1" (2.5 cm) maximum above the refrigerator. If the solid soffit is higher than 1" (2.5 cm) or one is not available, then the refrigerator must be braced.

If the anti-tip boards are needed, they must be attached to the rear wall studs 80" to 90" (203.2 cm to 228.6 cm) above the floor. See *Install Anti-Tip Boards* for more information.

NOTE: A clearance of ½" (1.3 cm) must be maintained above the top grille in order for the top grille to be removed.

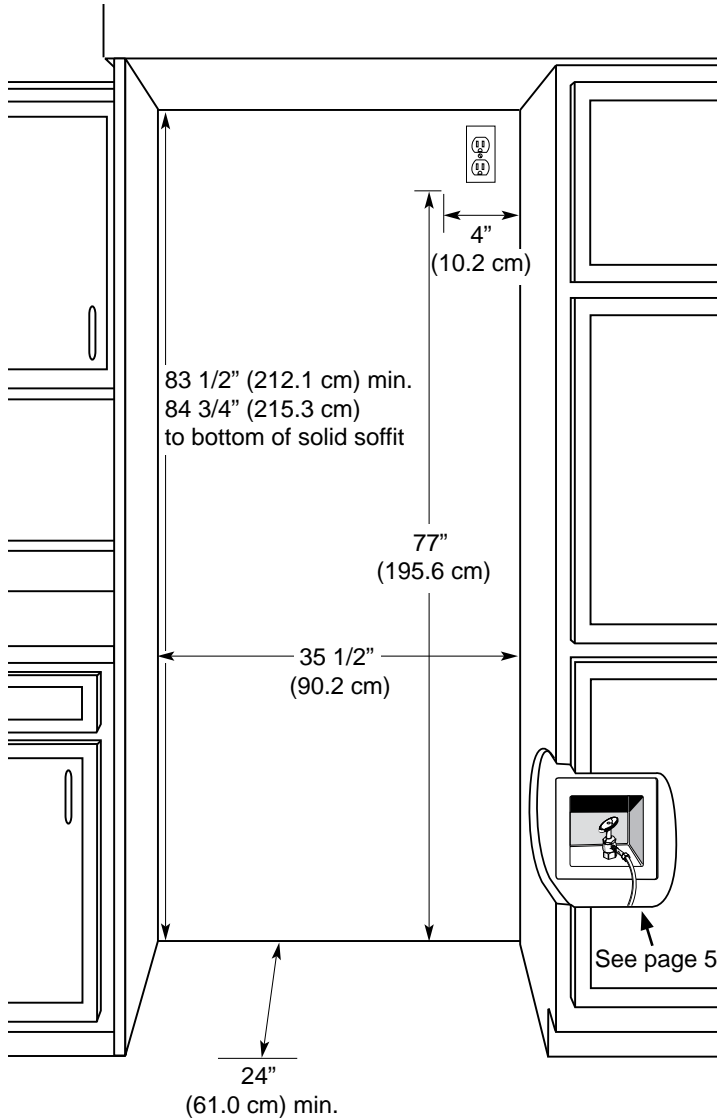


† TORX is a registered trademark of Textron Innovations Inc.

Installation Requirements

Location Requirements (continued)

- Locate the refrigerator so that it may easily be pulled out from the wall if service becomes necessary.
- A grounded 3 prong electrical outlet should be placed within 4" (10.2 cm) of the right side cabinets or end panel. See *Electrical Requirements* for more information.
- The water shutoff should be located in the base cabinet on either side of the refrigerator or some other easily accessible area. If the water shutoff valve is not in the cabinets, the plumbing for the water line can come through the floor or the back wall. See *Water Supply Requirements* for more information.



NOTE: Flooring under refrigerator must be at same level as the room. Face of cabinet must be plumb.

Electrical Requirements

Before you move your refrigerator into its final location, it is important to make sure you have the proper electrical connection.

⚠ WARNING



Electrical Shock Hazard

Plug into a grounded 3 prong outlet.

Do not remove ground prong.

Do not use an adapter.

Do not use an extension cord.

Failure to follow these instructions can result in death, fire, or electrical shock.

Recommended Grounding Method

A 115 Volt, 60 Hz., AC only 15 or 20 Amp. fused, grounded electrical supply is required. It is recommended that a separate circuit serving only your refrigerator be provided. Use an outlet that cannot be turned off by a switch. Do not use an extension cord.

IMPORTANT: If this product is connected to a GFCI (ground fault circuit interrupter) equipped outlet, nuisance tripping of the power supply may occur, resulting in loss of cooling. Food quality and flavor may be affected. If nuisance tripping has occurred, and if the condition of the food appears poor, dispose of it.

NOTE: Before performing any type of installation, cleaning, or removing a light bulb, remove the top grille and turn the master power switch to **OFF** or disconnect power at the circuit breaker box.

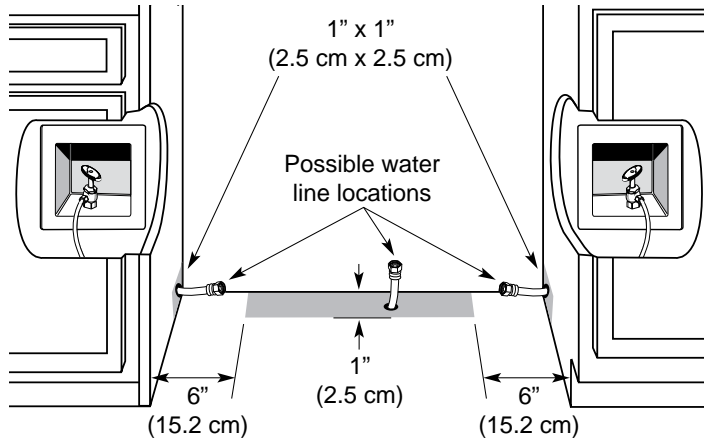
When you are finished, turn on the master power switch or reconnect power at the circuit breaker box. Then reset the control to the desired setting.

Installation Requirements

Water Supply Requirements

- All installations must meet local plumbing code requirements.
- The water shutoff should be located in the base cabinet on either side of the refrigerator or some other easily accessible area. The right-hand side is recommended.

NOTE: If the water shut off valve is in the back wall behind the refrigerator, it must be at an angle so that the water line is not kinked when the refrigerator is pushed into its final position.



- If the water shutoff valve is not in the cabinets, the plumbing for the water line can come through the floor. A $\frac{1}{2}$ " (1.3 cm) hole for plumbing should be drilled at least 6" (15.2 cm) from the right or left hand side cabinet or panel. On the floor, the hole should be no more than 1" (2.5 cm) away from the back wall. See *Connect Water Supply*.
- Your refrigerator dealer has a kit available with a $\frac{1}{4}$ " (6.4 mm) saddle-type shutoff valve. Before purchasing, make sure a saddle-type valve complies with your local plumbing codes.
- Do not use a piercing-type or $\frac{3}{16}$ " (4.8 mm) saddle valve which reduces water flow and clogs more easily.
- Install the water supply line only in areas where the household temperatures will remain above freezing.

Water Pressure

A cold water supply with water pressure between 30 and 120 psi (207 and 827 kPa) is required to operate the water dispenser and ice maker. If you have questions about your water pressure, call a licensed, qualified plumber.

Reverse Osmosis Water Supply

IMPORTANT: The pressure of the water supply coming out of a reverse osmosis system going to the water inlet valve of the refrigerator needs to be between 30 and 120 psi (207 and 827 kPa). If a reverse osmosis water filtration system is connected to your cold water supply, the water pressure to the reverse osmosis system needs to be a minimum of 40 to 60 psi (276 to 414 kPa).

If the water pressure to the reverse osmosis system is less than 40 to 60 psi (276 to 414 kPa):

- Check to see whether the sediment filter in the reverse osmosis system is blocked. Replace the filter if necessary.
- Allow the storage tank on the reverse osmosis system to refill after heavy usage.
- If your refrigerator has a water filter cartridge, it may further reduce the water pressure when used in conjunction with a reverse osmosis system. Remove the water filter cartridge.

If you have questions about your water pressure, call a licensed, qualified plumber.

Tipping Radius

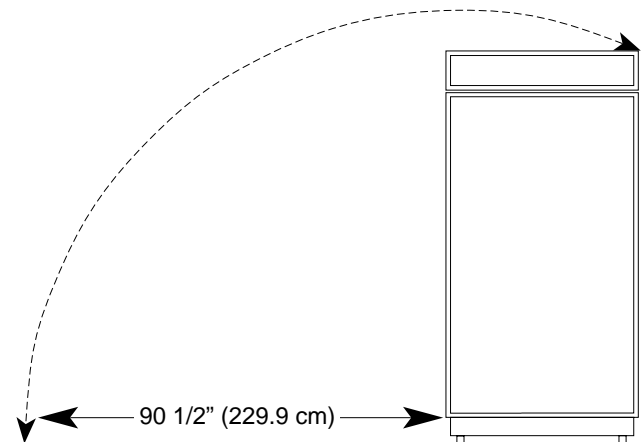
Be sure there is adequate ceiling height to stand the refrigerator upright when it is moved into place.

- The dolly wheel height must be added to the tipping radius when a dolly is used.
- If needed, the tipping radius can be reduced. See *Reduce Tipping Radius*.

Side Tipping Radius

The side tipping radius varies depending upon the width of the model.

NOTE: Tip on side shown only.

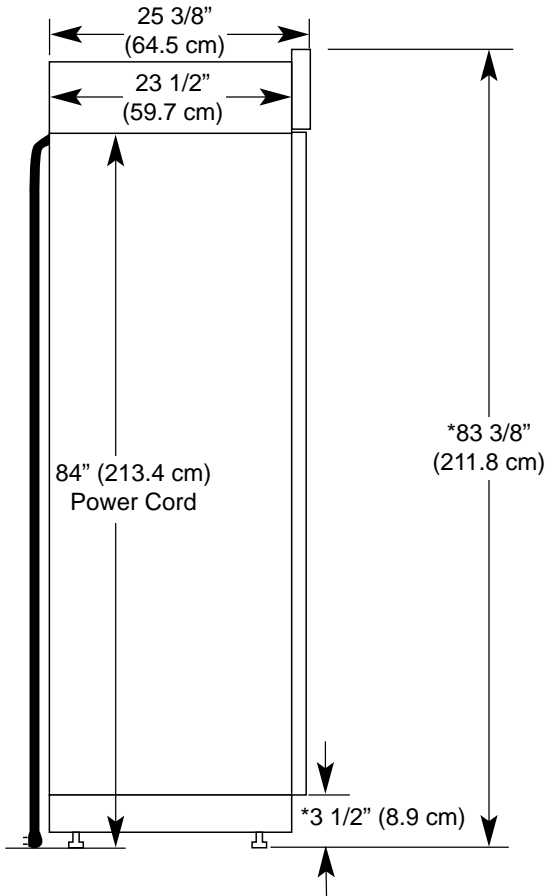


Installation Requirements

Product Dimensions

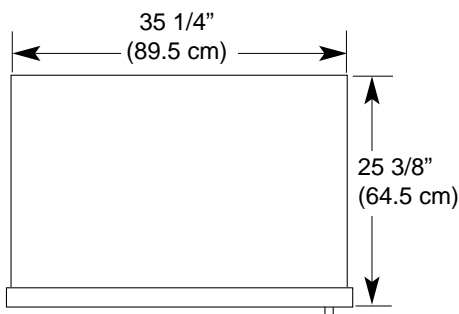
Side View:

- The depth from the front of the top grille to the back of the refrigerator cabinet is 25³/₈" (64.5 cm).
- The power cord is 84" (213.3 cm) long.
- The water line attached to the back of the refrigerator is 5 ft. (1.5 m) long.
- Height dimensions are shown with leveling legs extended 1/8" (3.2 mm) below the rollers.



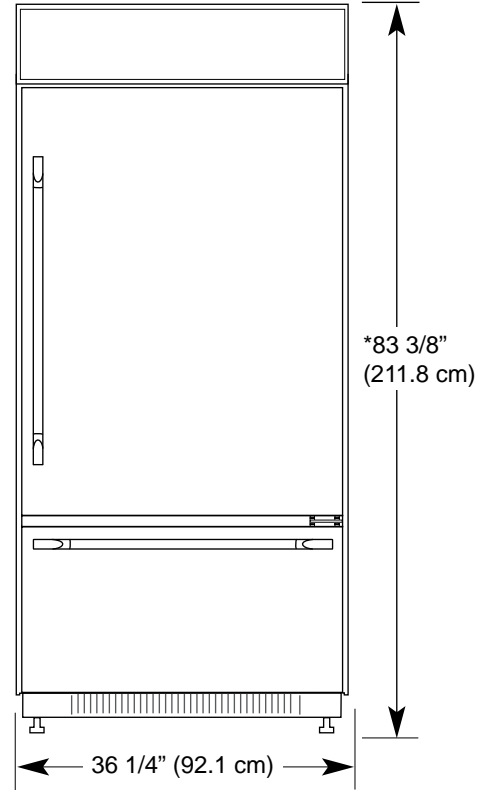
* When leveling legs are fully extended to 1¹/₄" (3.2 cm) below rollers, add 1¹/₈" (2.9 cm) to the height dimensions.

Top View:



Front View:

- Width dimensions were measured from trim edge to trim edge.
- Height dimensions are shown with leveling legs extended 1/8" (3.2 mm) below the rollers.



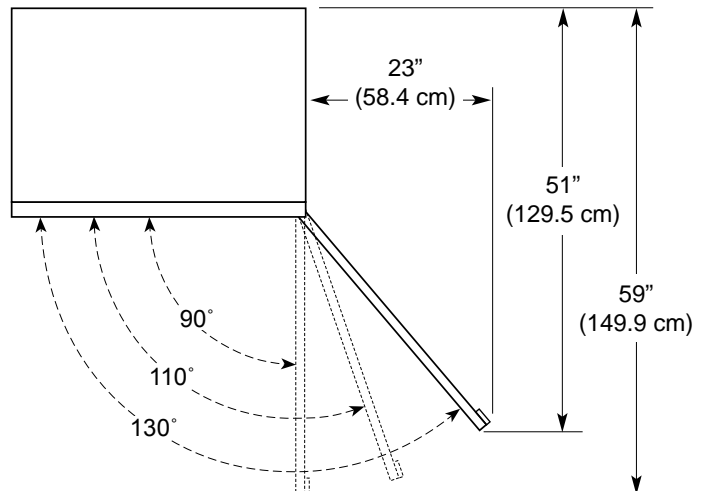
* When leveling legs are fully extended to 1¹/₄" (3.2 cm) below rollers, add 1¹/₈" (2.9 cm) to the height dimensions.

Door Swing Dimensions

The location must permit both doors to open to a minimum of 90°. Allow 4¹/₂" (11.4 cm) minimum space between the side of the refrigerator and a corner wall.

NOTE: More clearance may be required if you are using overlay panels, custom handles or extended handles on a IF36 model.

To adjust the door swing, see *Adjust Doors*.



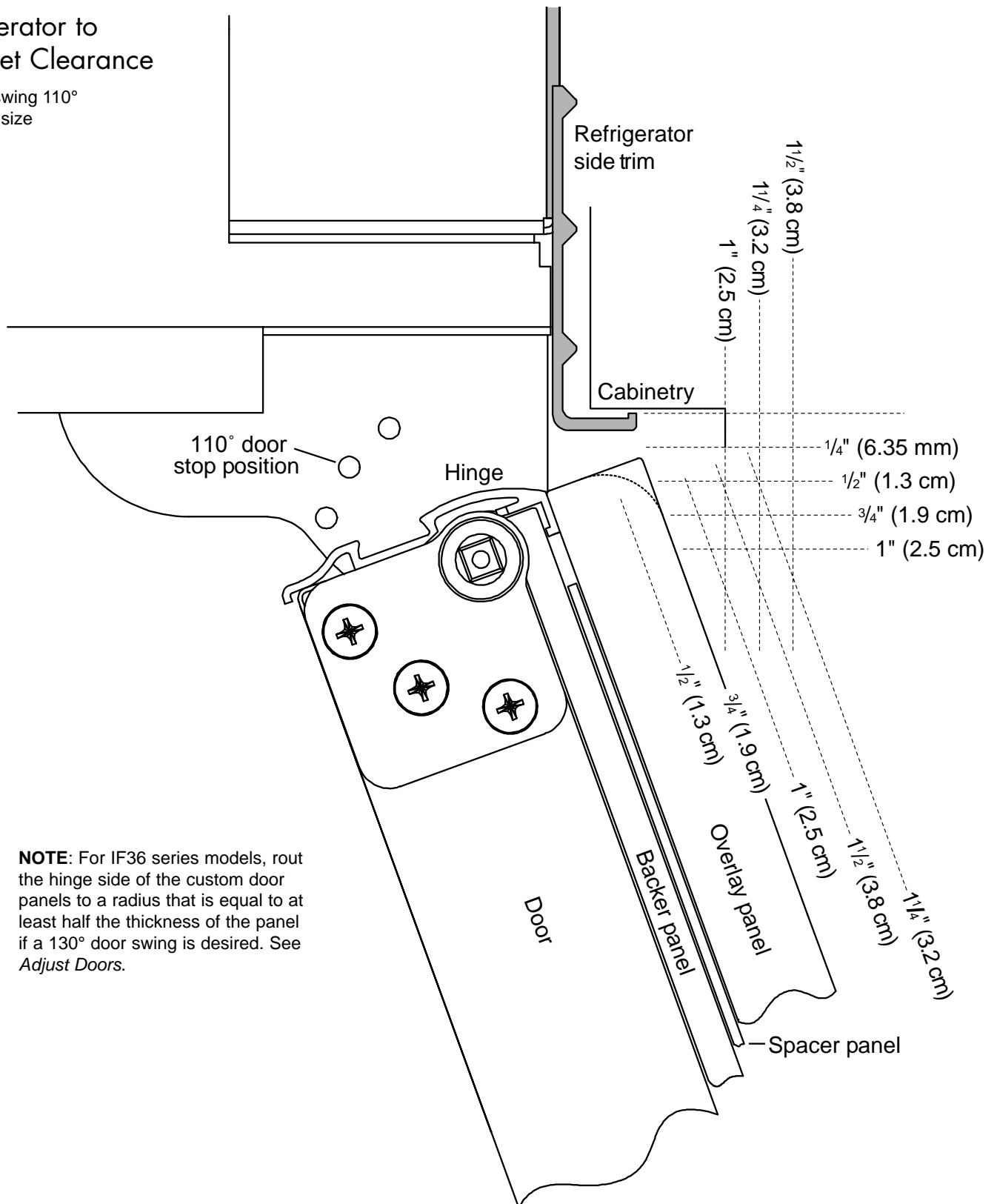
Installation Requirements

Door Panels and Cabinet Clearance - IF36 Series Models

The custom door panels and adjacent cabinets for models series IF36 must be designed so that there is sufficient clearance for the doors to swing open. If the refrigerator is to be installed close to the wall, see *Door Swing 90°* on the following page.

Refrigerator to Cabinet Clearance

Door swing 110°
actual size



NOTE: For IF36 series models, rout the hinge side of the custom door panels to a radius that is equal to at least half the thickness of the panel if a 130° door swing is desired. See *Adjust Doors*.

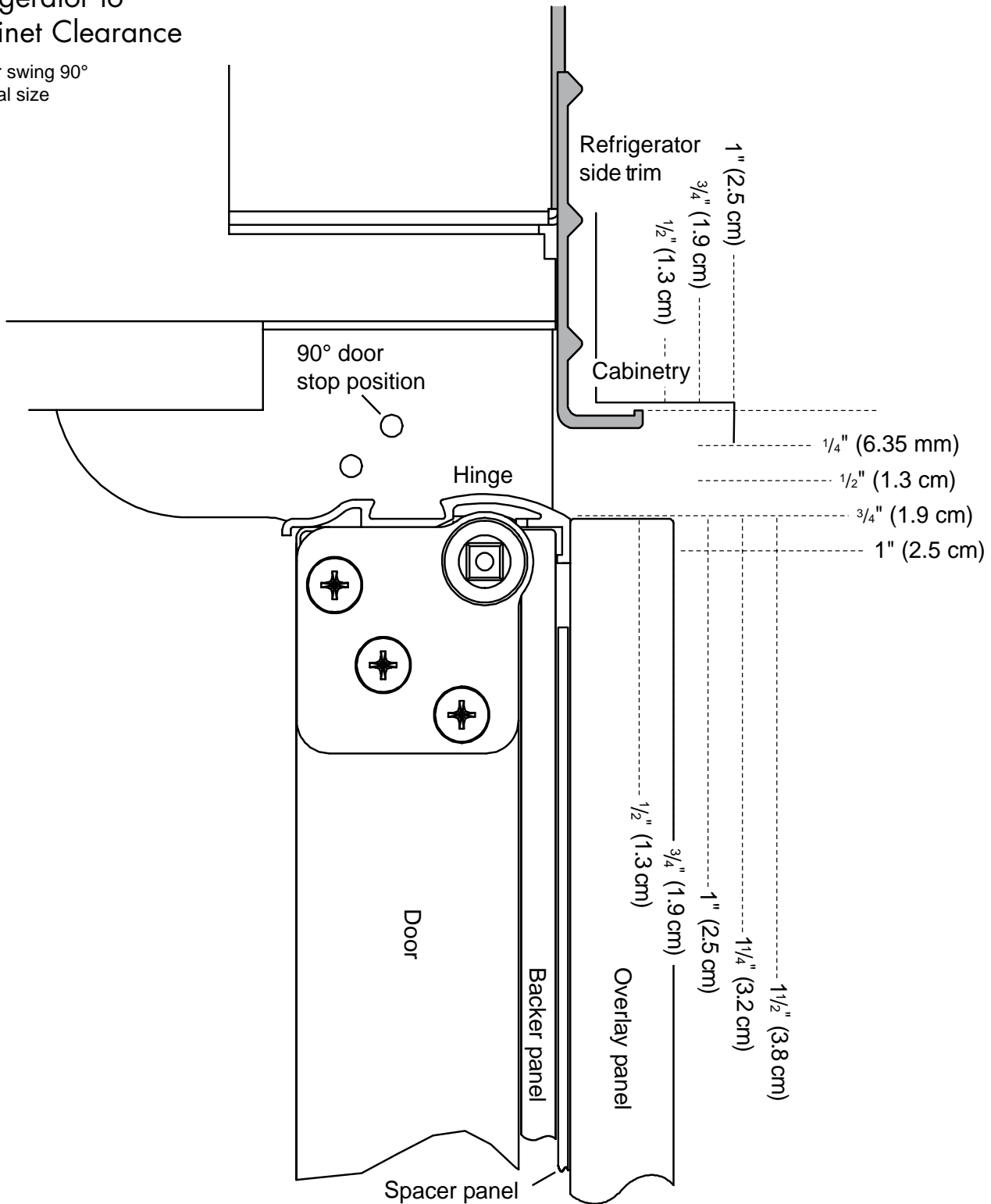
When the doors are closed the refrigerator will extend beyond the face of the adjacent cabinet to some degree.

Installation Requirements

Door Panels and Cabinet Clearance - IF36 Series Models (cont.)

Refrigerator to Cabinet Clearance

Door swing 90°
actual size



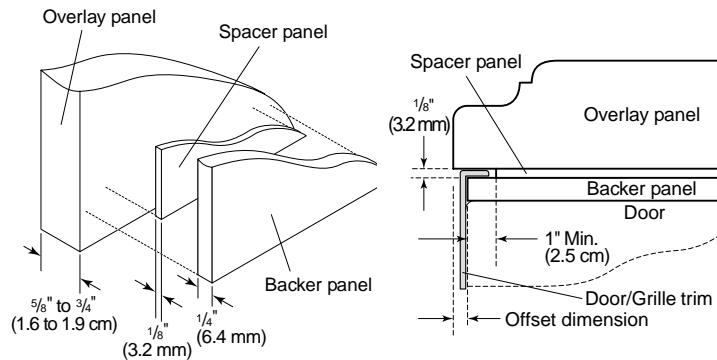
Allow a minimum of 4 1/2" (11.4 cm) of space between the side of the refrigerator and a corner wall. More clearance may be needed if thicker custom panels or custom handles are used. Do not overlook baseboards.

Installation Requirements

Custom Panels and Handles - IF36 Series Models

Custom overlay panels used with the IF36 model series allow you to blend the exterior of your refrigerator into the overall kitchen décor, and to use custom handles for additional design flexibility.

The custom panels must have backer panels attached in order to mount them to the refrigerator. It is most common to work with three panels, as shown in the graphic below. A decorative overlay panel, a 1/8" (3.2 mm) spacer panel or spacer strips and a 1/4" (6.4 mm) backer panel.



In some cases, your cabinet manufacturer may choose to work with one panel routed for the different dimensions. Follow these panel dimension and placement instructions to be sure that the custom overlay panels will fit properly.

IMPORTANT:

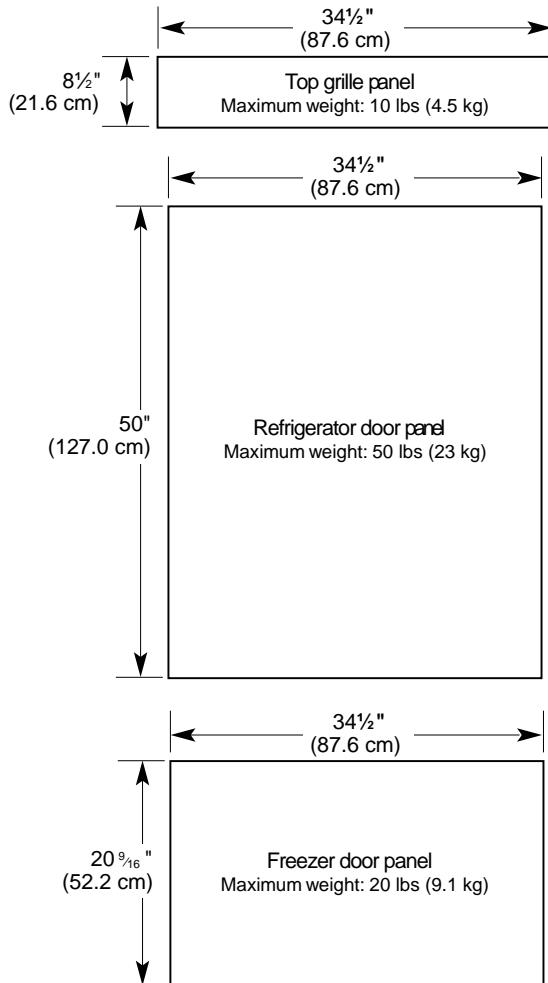
Install the panels after moving the refrigerator into place (page 17) .

The weight of the overlay panels cannot exceed:

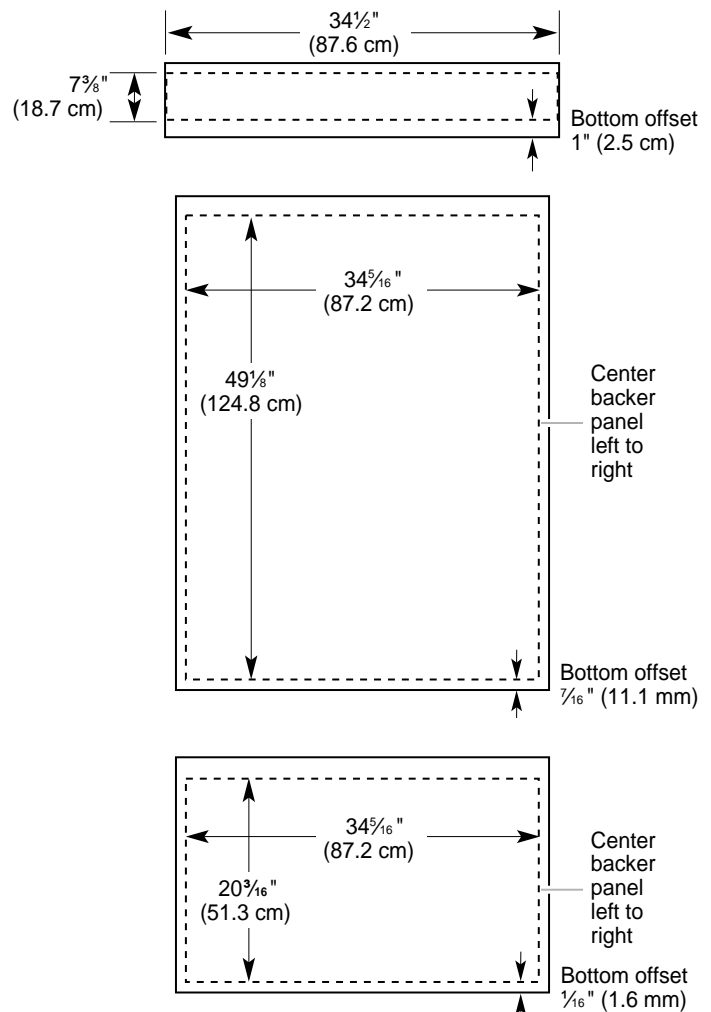
- 50 lbs. (23 kg) for the refrigerator door.
- 20 lbs. (9.1 kg) for the freezer door.
- 10 lbs. (4.5 kg) for the top grille.

To minimize panel weight, you may use 2" (5.1 cm) spacer strips around the perimeter in place of full-sheet solid spacer panels. The spacer strips must be set in at least 1" (2.5 cm) from the top, bottom and sides edges of the backer panel. If you use spacer strips, it is also recommended that you use two 2" (5.1 cm) strips horizontally centered for added support.

NOTE: For the grille and the door panels to be flush, the overlay door panel should be 1/4" (6.4 mm) thicker than the overlay grille panel.



Overlay Panel Dimensions*



Backer Panel Dimensions*

* See page 10 for additional panel construction information

Installation Requirements

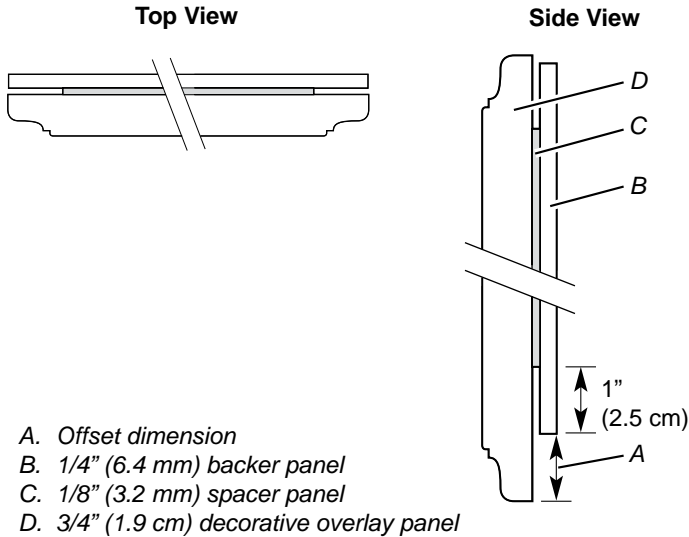
Custom Panels and Handles - IF36 Series Models (Continued)

Custom Panels Construction Information

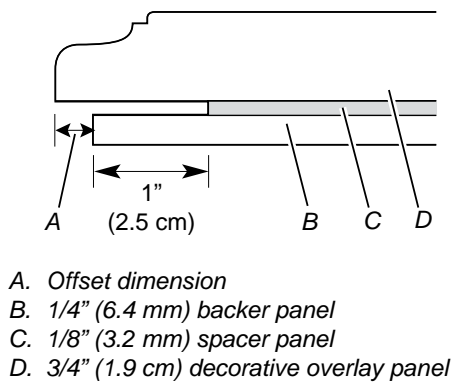
See page 9 for overall dimensions.

NOTE: Spacer panels must be at least 1" (2.5 cm) from the top, bottom, and side edges of the backer panel.

3-Piece Grille Overlay Panel Configuration



3-Piece Door Overlay Panel Configuration



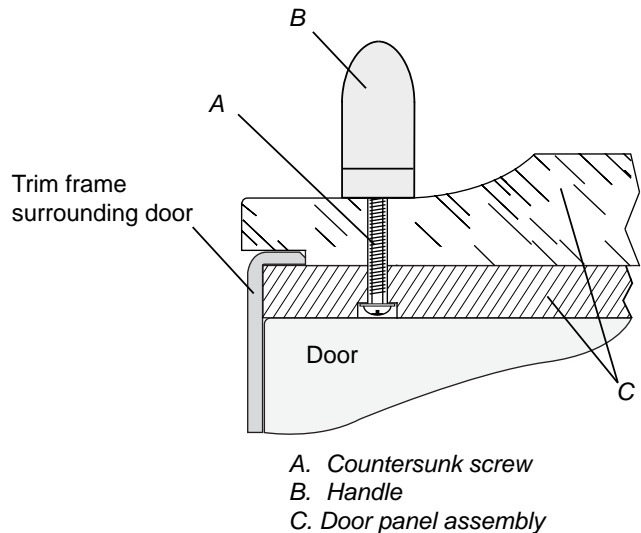
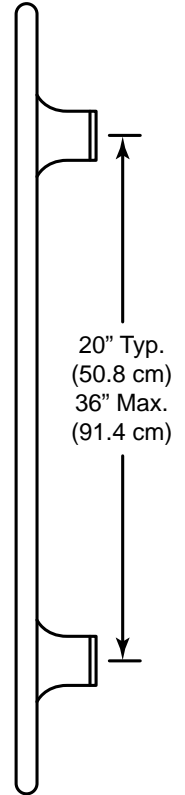
1-Piece Overlay Panel Configuration

In some cases, your cabinet manufacturer may choose to work with one panel routed for the different dimensions. Follow these panel dimensions and placement instructions to be sure that the custom overlay panels will fit properly.

Custom Handles

- Before installing a custom panel assembly, you must install the custom handle hardware. The handle and handle mounting hardware are not provided with the refrigerator.
- Dacor recommends handles with larger D-style pulls. Any handle designed for use with an appliance should produce satisfactory results. Handle kits are available through your Dacor dealer.
- Handle kits do not include the necessary mounting screws since screw length required varies with the total thickness of the panels. The panel craftsman must determine and obtain the proper fasteners for the application. If using screws with thick heads, they must be countersunk into the panel before installing the handles.

IMPORTANT: Dacor does not advise the use of single pull knobs.



Handle Detail

Installation Requirements

Custom Side Panels - Model IF36

Custom side panels may be needed when not enough space is available to have cabinets on both sides of the refrigerator or when the refrigerator is placed at the end of a cabinet run. You may choose an inset or recessed inset panel installation for model IF36.

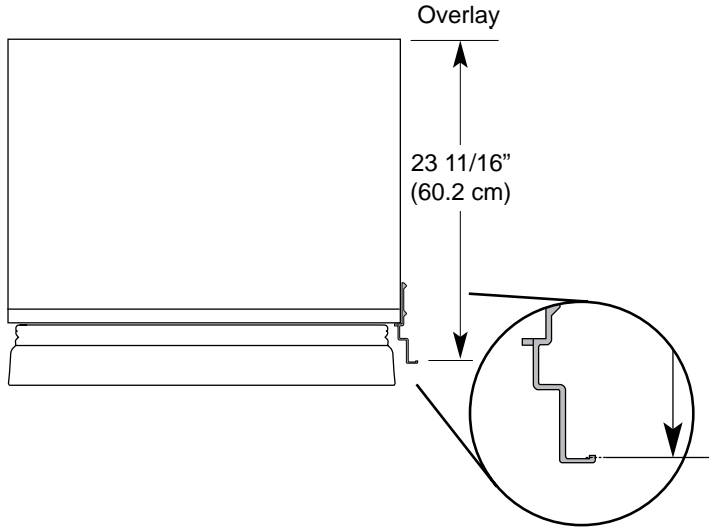
Refrigerator and Side Trim Dimensions

The width and height of a side panel are determined by the type of installation you are planning.

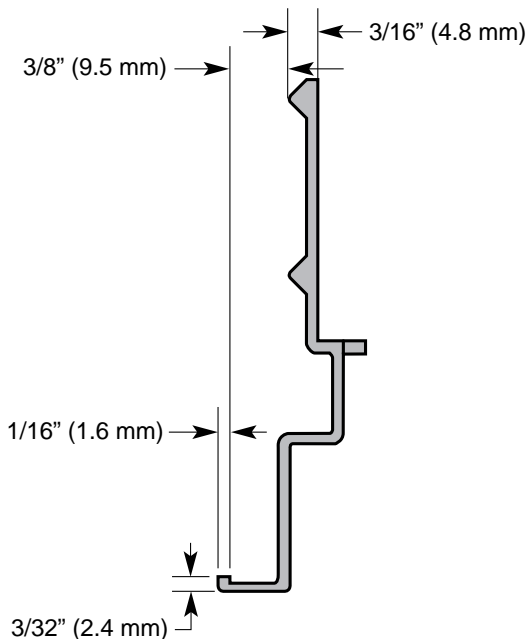
NOTES:

- The dimensions shown are actual product dimensions and may not reflect the needed installation dimensions.
- The side panel should be a minimum of $\frac{1}{2}$ " (1.3 cm) thick to avoid warping.
- If the opening depth is 25" (63.5 cm) or more, you may want to install a support board on the rear wall.

Refrigerator

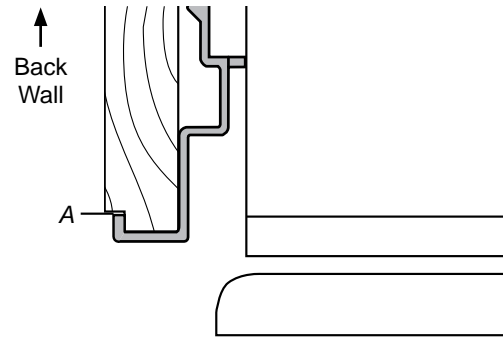


Side Trim



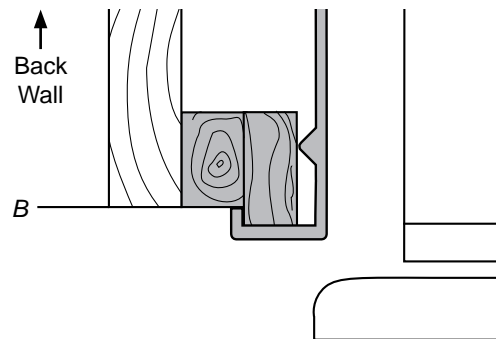
Inset Installation Dimensions

1. Measure the distance from point A (as shown) to the back wall. Add $\frac{1}{32}$ " (0.8 mm) to this measurement to allow the side panel to fit into the trim.
2. If the panel is more than $\frac{3}{8}$ " (9.5 mm) thick, rout the front edge to allow the side panel to fit into the trim.



Recessed Inset Installation Dimensions

1. Measure the distance from point B (as shown) to back wall.
2. Route the front edge of the support board or attach a $\frac{3}{8}$ " (9.5 mm) board to hold the panel in the cabinet side trim.



Installation Requirements

Custom Side Panels - Model EF36

Custom side panels may be needed when not enough space is available to have cabinets on both sides of the refrigerator or when the refrigerator is placed at the end of a cabinet run. You may choose an inset, flush or recessed inset panel installation for model EF36.

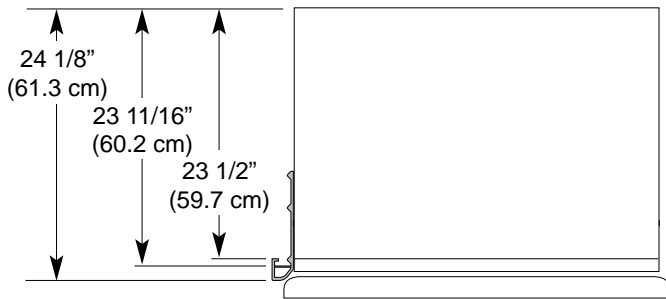
Refrigerator and Side Trim Dimensions

The width and height of a side panel are determined by the type of installation you are planning.

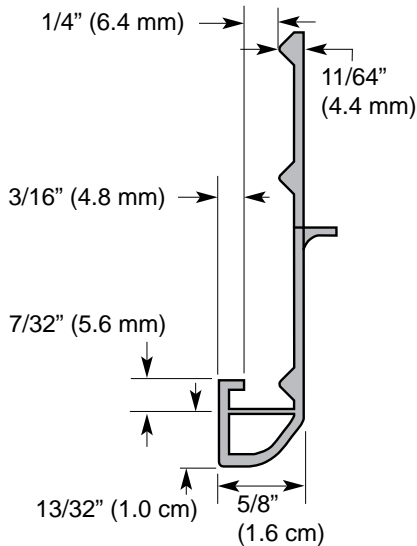
NOTES:

- The dimensions shown are actual product dimensions and may not reflect the needed installation dimensions.
- The side panel should be a minimum of $\frac{1}{2}$ " (1.3 cm) thick to avoid warping.
- If the opening depth is 25" (63.5 cm) or more, you may want to install a support board on rear wall.

Refrigerator

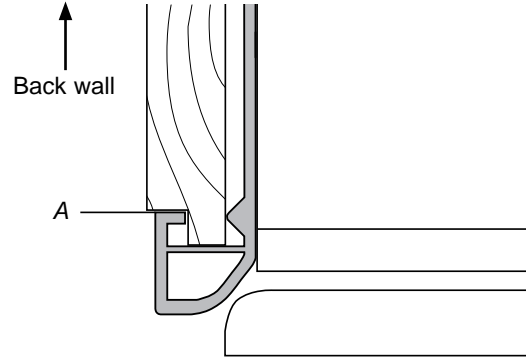


Side Trim



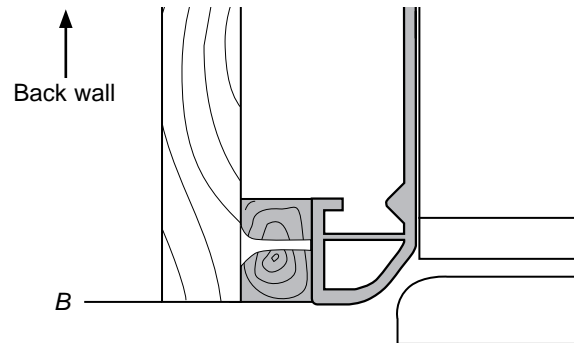
Inset Installation Dimensions

1. Measure the distance from point A (as shown) to the back wall. Add $\frac{7}{32}$ " (5.6 mm) to this measurement to allow the side panel to fit into the trim.
2. If the panel is more than $\frac{1}{4}$ " (6.4 mm) thick, route the front edge to allow the side panel to fit into the trim.



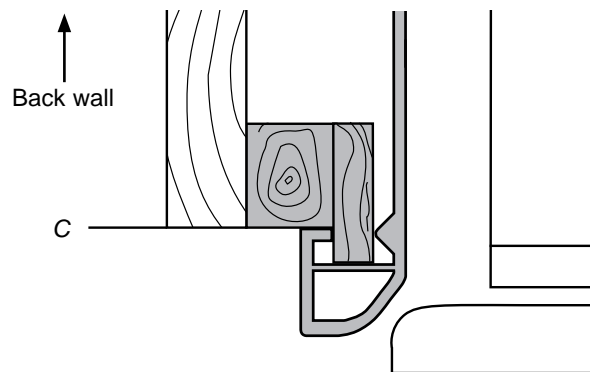
Flush Installation Dimensions

1. Measure the distance from point B (as shown) to the back wall.
2. Attach the support board with a screw or adhesive that is compatible with aluminum and wood.



Recessed Inset Installation Dimensions

1. Measure the distance from point C (as shown) to the back wall.
2. Route the front edge of the support board or attach a $\frac{1}{4}$ " (6.4 mm) board to hold the panel in the cabinet side trim.



Installation Instructions

Unpack Refrigerator

⚠ WARNING



Tip Over Hazard

Refrigerator is top heavy and tips easily when not completely installed.

Keep doors taped closed until refrigerator is completely installed.

Use two or more people to move and install refrigerator.

Failure to do so can result in death or serious injury.

IMPORTANT:

- If you receive a damaged product, immediately contact your dealer or builder. Do not install or use a damaged appliance.
 - Do not remove the film on the outside until the refrigerator is in its operating position.
 - All four leveling legs must contact the floor to support and stabilize the full weight of the refrigerator.
 - Keep the cardboard shipping piece or plywood under the refrigerator until it is installed in the operating position.
1. Remove and save the literature package bag taped to the side of the refrigerator and the parts bag behind the grille. Remove the four brackets (two on each side) that attach the shipping base to the refrigerator bottom.

NOTE: Do not remove tape and door bracing until the refrigerator is in its final position.

2. If necessary, reduce the tipping radius. See *Tipping Radius* (page 5) for ceiling height requirements or *Reduce Tipping Radius* for step-by-step instructions. If you do not need to reduce the tipping radius, proceed to *Move the Refrigerator into House*.

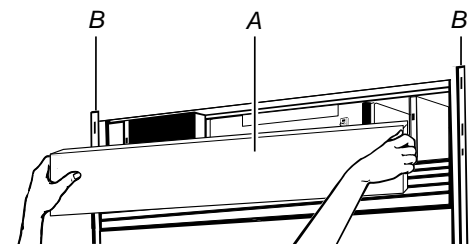
Reduce Tipping Radius

(if required)

Before bringing the refrigerator into the home, be sure there is adequate ceiling height to stand the refrigerator upright. See *Tipping Radius* (page 5).

If you do not have adequate ceiling height to stand the refrigerator upright, the tipping radius can be reduced by removing the top grille and side trims. The reduced tipping radius will be 88" (223.5 cm).

1. Grasp both ends of the top grille.
2. Push the top grille straight up, then pull straight out. Lay the grille on a soft surface.
3. Remove the six screws attaching each cabinet side trim to the refrigerator and remove the side trims.



A. Top grille
B. Cabinet side trim

Move Refrigerator into House

⚠ WARNING



Tip Over Hazard

Refrigerator is top heavy and tips easily when not completely installed.

Keep doors taped closed until refrigerator is completely installed.

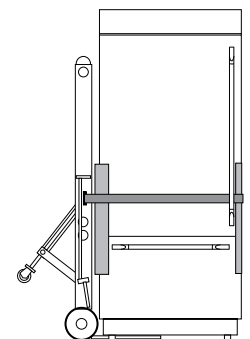
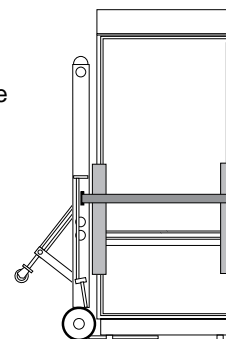
Use two or more people to move and install refrigerator.

Failure to do so can result in death or serious injury.

1. Place an appliance dolly under the left side of the refrigerator as shown. Be sure to avoid damaging the side trims and handles. Place the corner posts from the packing materials over the trims and handles as appropriate. Slowly tighten the strap.

NOTE: Pass the dolly strap under the handle for EF36 series models.

2. Place pieces of the shipping carton on the floor when rolling the dolly and refrigerator into the house. Move the refrigerator close to the built-in opening.



3. Place top of cardboard carton or plywood under refrigerator.
4. Stand the refrigerator up. First, place the left bottom edge of the refrigerator on the floor, stand the refrigerator upright and then lower the right-hand side of the refrigerator to the floor.
5. Do not remove film on the outside.
6. Reassemble the trim and top grille after the dolly has been removed from the refrigerator.

Installation Instructions

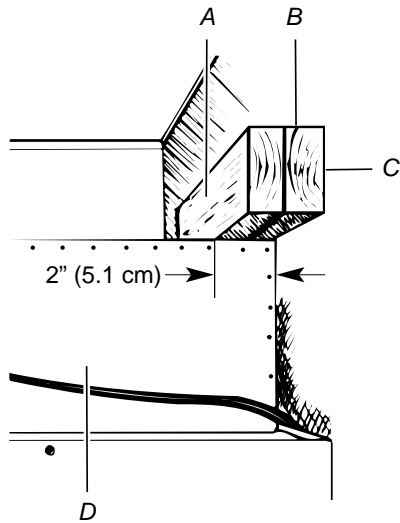
Install Anti-Tip Boards

IMPORTANT:

- To avoid tipping during use, the solid soffit must be within 1" (2.5 cm) maximum above the refrigerator. If the solid soffit is higher than 1" (2.5 cm) or one is not available, then the refrigerator must be braced.
- It is recommended that board(s) be installed before the refrigerator is installed.
- Board(s) must be long enough to fully cover the width of the compressor cover.
- Locate the board(s) so the bottom surface(s) of the board(s) is (are) 84" (213.4 cm) from the floor.
- During installation, raise the refrigerator up so there is ¼" (6.4 mm) maximum between the top of the refrigerator and the bottom of the anti-tip board(s). Do not crush the compressor cover when raising the rear leveling legs.

To Install Anti-tip Boards

1. Mark the stud locations on rear wall 80" to 90" (203.2 cm to 228.6 cm) above floor.
2. Securely attach one or two 2" x 4" x 32" (5.1 cm x 10.2 cm x 81.3 cm) boards to wall studs behind refrigerator. Use six #8 x 3" (7.6 cm) (or longer) wood screws. The wood screws must be screwed into the studs at least 1½" (3.8 cm). The board(s) must overlap the compressor cover.



- A. Center board 1/4" (6.4 mm) max. above refrigerator
- B. Two 2" x 4" x 32" (5.1 cm x 10.2 cm x 81.3 cm) boards
- C. Attach to studs with six #8 x 3" (7.6 cm) screws
- D. Compressor cover

Connect Water Supply

Read all directions before you begin.

IMPORTANT: If you turn the refrigerator on before the water line is connected, turn the ice maker off.

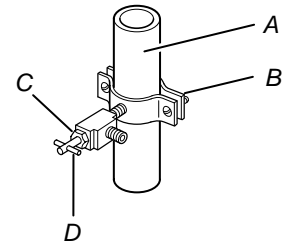
Install Saddle Valve

NOTE: If existing water line meets the *Water Supply Requirements*, see *Connecting to Refrigerator*.

1. Unplug the refrigerator or disconnect power.
2. Turn off main water supply. Turn on nearest faucet long enough to clear line of water.
3. Locate a ½" to 1¼" (1.3 cm to 3.2 cm) vertical cold water pipe near the refrigerator.

IMPORTANT:

- Make sure it is a cold water pipe.
 - A horizontal pipe will work, but drill on the top side of the pipe, not the bottom. Doing so will help keep water away from the drill and normal sediment from collecting in the valve.
4. Using a cordless drill, drill a ¼" (6.4 mm) hole in the cold water pipe you have selected.
 5. Fasten the shutoff valve to the cold water pipe with the pipe clamp. Be sure the outlet end is solidly in the ¼" (6.4 mm) drilled hole in the water pipe and that the washer is under the pipe clamp. Tighten the packing nut. Tighten the pipe clamp screws slowly and evenly so washer makes a watertight seal. Do not overtighten.



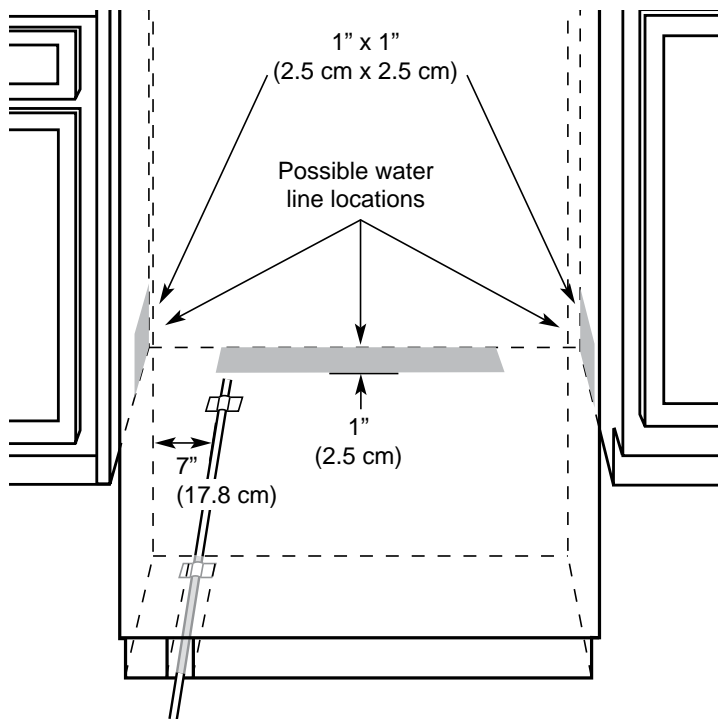
- A. Cold water pipe
- B. Pipe clamp
- C. Packing nut
- D. Shutoff valve

6. Turn on the main water supply.
7. Check for leaks around the saddle valve.

IMPORTANT: Before attaching the water supply line to the shutoff valve, flush the main water supply line to remove particles and air in the water line. Allow enough flow so that the water becomes clear. Flushing the water line may help avoid filters and/or water valves from becoming clogged.

Installation Instructions

Connecting to Refrigerator



NOTE: The flexible codes approved water supply line can connect to the supply valve through the floor or through the side cabinets, as indicated by the gray boxes above.

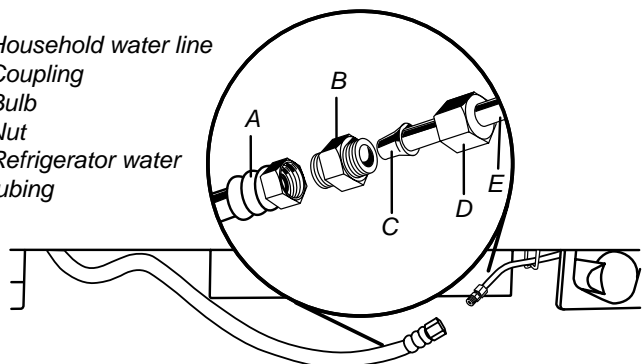
1. Unplug the refrigerator or disconnect power.
2. Connect the 7 ft (2.1 m) minimum flexible codes approved water tube to the water supply valve.
3. Flush the main water supply line to remove particles and air in the water line. Allow enough flow so that the water becomes clear.
4. Tape the water supply line to the floor, 7" (17.8 cm) from the left side of the refrigerator. Tape along the length of the tubing, which will allow it to pass beneath the refrigerator without interference.

NOTE: Allow a minimum of 26" (66.0 cm) of flexible codes approved water supply line to be loose at the front of the refrigerator for connecting to the household water line.

5. Connect the water supply line to the refrigerator.

NOTE: If the main water shutoff valve is behind the refrigerator, a secondary water shutoff valve may be installed in line with the water supply line at the front of the product.

- A. Household water line
- B. Coupling
- C. Bulb
- D. Nut
- E. Refrigerator water tubing



6. Turn on the water valve and check all connections for leaks.

Plug in Refrigerator

⚠ WARNING



Electrical Shock Hazard

- Plug into a grounded 3 prong outlet.
- Do not remove ground prong.
- Do not use an adapter.
- Do not use an extension cord.
- Failure to follow these instructions can result in death, fire, or electrical shock.

1. Set control switch at top of cabinet to the off position.
2. Plug into a grounded 3 prong outlet.

Move to Final Location

⚠ WARNING



Tip Over Hazard

- Refrigerator is top heavy and tips easily when not completely installed.
- Keep doors taped closed until refrigerator is completely installed.
- Use two or more people to move and install refrigerator.
- Failure to do so can result in death or serious injury.

IMPORTANT: To avoid floor damage, make sure levelers are raised (not touching floor) and refrigerator is on rollers before moving.

1. Place top of cardboard carton or plywood under refrigerator. Remove dolly.
2. Do not remove film on the outside.
3. Move the refrigerator straight back, evenly into the opening. Be sure that the refrigerator side trims are not interfering with the door opening. Also, be sure that the water tubing is not kinked and the power supply cord is on top of the refrigerator.

Installation Instructions

Level and Align Refrigerator

⚠ WARNING



Tip Over Hazard

Refrigerator is top heavy and tips easily when not completely installed.

Keep doors taped closed until refrigerator is completely installed.

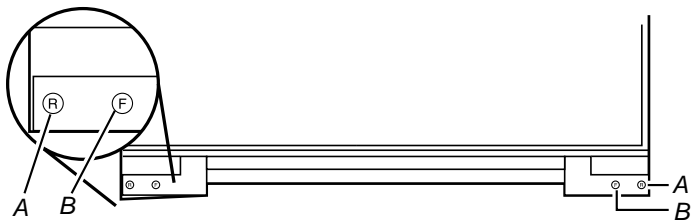
Use two or more people to move and install refrigerator.

Failure to do so can result in death or serious injury.

IMPORTANT: All four leveling legs must contact the floor to support and stabilize the full weight of refrigerator. Rollers are for moving refrigerator and not for permanent support.

After moving the refrigerator to its final location:

1. Use a $\frac{5}{16}$ " socket driver to turn the leveling bolts clockwise to extend the legs to the floor as shown. The rollers should be off the floor.

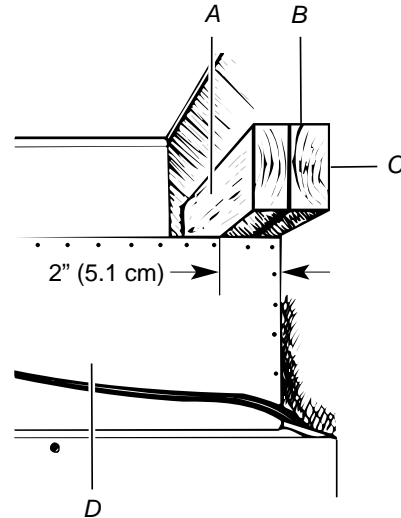


A. Rear leveling bolt
B. Front leveling bolt

2. Adjust the leveling legs to level and align the refrigerator from left to right and front to back so that the refrigerator is level and aligned with the cabinets. The cabinet surface must be plumb for the ideal fit of the refrigerator side trim.

3. Continue adjusting all of the leveling legs to raise the refrigerator until the top is within at least 1" (2.5 cm) of the top soffit.

NOTE: If an anti-tip board has been used, adjust the leveling legs until the top of the refrigerator is within $\frac{1}{4}$ " (6.4 mm) of the bottom of the anti-tip board as shown. Do not crush the compressor cover.



- A. Center board $\frac{1}{4}$ " (6.4 mm) max. above refrigerator
B. Two 2" x 4" x 32" (5.1 cm x 10.2 cm x 81.3 cm) boards
C. Attach to studs with six #8 x 3" (7.6 cm) screws
D. Compressor cover

IMPORTANT: Adjust in small increments to keep from damaging the cabinet trim and causing problems with the door alignment or top grille fit. To avoid damage to the cabinet or leveling legs, do not apply more than 50 inch-pounds (5.65 Nm) of torque to the leveling bolts. The leveling legs can be extended to a maximum of $1\frac{1}{4}$ " (3.2 cm) below the rollers.

4. For IF series models, additional adjustments may be needed after the custom panels are installed.

Installation Instructions

Custom Panel and Handle Installation - IF36 Series Models

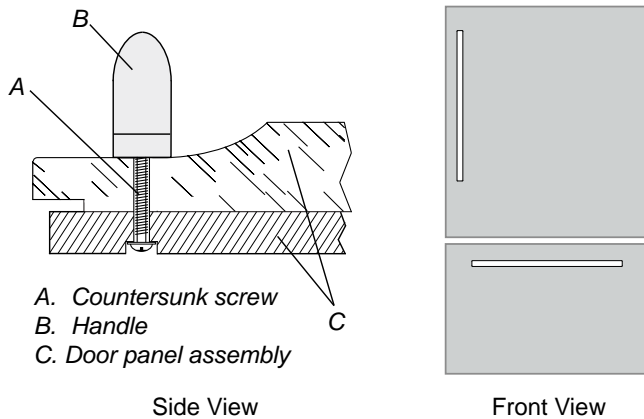
IMPORTANT:

- Install the custom handles prior to installing the panels on the refrigerator.
- Create custom door overlay panels according to the specifications in the *Custom Panels and Handles* section.
- Dacor is not responsible for customer installed molding or decorative panels that need to be removed or replaced to service the refrigerator.

Handle Installation

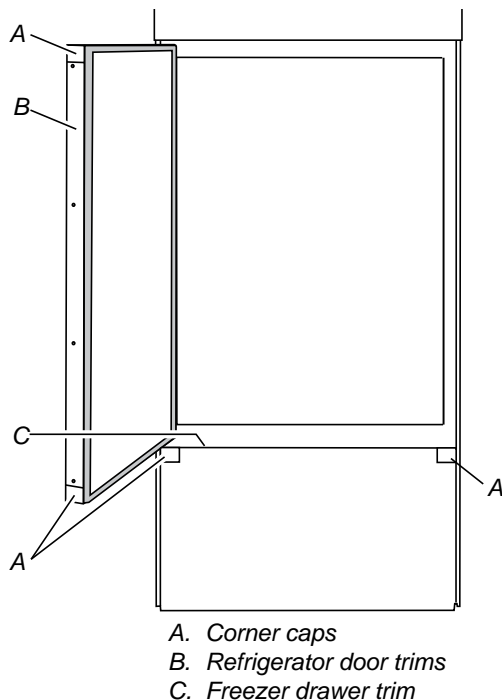
Before installing a custom panel assembly, install the custom handle hardware.

Counter-sink the screw head into the back of the panel to allow the panel to slide into place smoothly and for proper fit.

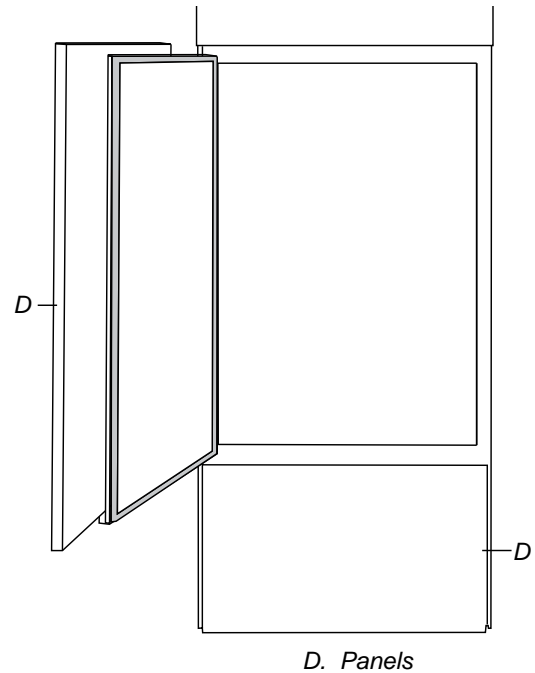


Door Panel Installation

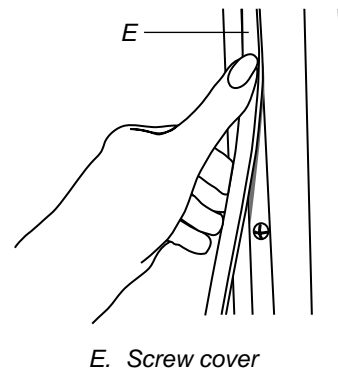
1. Remove all tape and door bracing from the refrigerator and freezer doors.
2. Open the refrigerator and freezer compartment doors.
3. Remove the trims and corner caps.



4. Slide the custom panels into the bottom and hinge side trims on the refrigerator compartment and freezer compartment doors, making sure that the backer panel fits into the hinge side trims.



5. Reinstall the trims and corner caps.
6. Remove the film from the screw covers. Slide or snap the screw covers into the handle trim section.



7. Check refrigerator level and alignment. Adjust if needed.

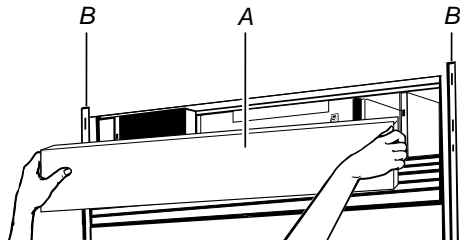
Continued...

Installation Instructions

Custom Panel Installation - IF36 Series Models (Continued)

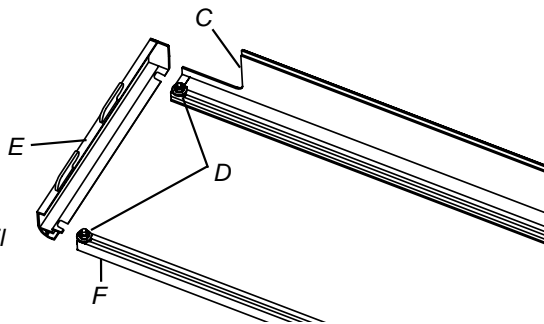
Top Grille Panel Installation

1. Grasp both ends of the top grille.
2. Push straight up, then pull straight out. Place the top grille panel-side down on a soft working surface.



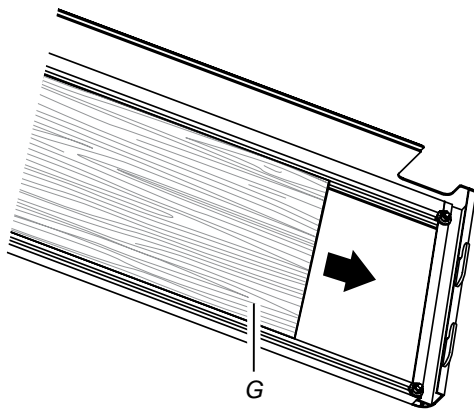
A. Top grille
B. Cabinet side trim

3. Remove one end cap by loosening the nuts and sliding the end cap off.



C. Bottom rail
D. Nuts
E. End cap
F. Top rail

4. Slide the custom panel into the top grille channel and reattach the end cap.



G. Custom Panel

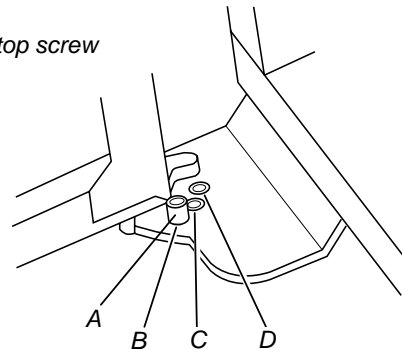
5. Replace the top grille in the cabinet side trims and pull the panel down slightly to lock it into place.

Adjust Doors

Door Swing Adjustment

1. Check that the refrigerator door can open freely. If the door opens too wide, remove the door stop screw or screws (depending on your model) from the bottom hinge with a Torx T15 screwdriver.
2. Hold the door open to a position that is less than 90°.
3. Replace the door stop screw or screws in the bottom hinge and tighten.

A. Door stop screw

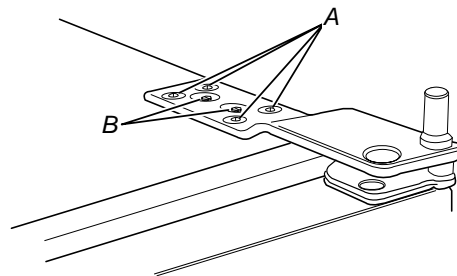


B. 130°
C. 110° (IF series refrigerators)
D. 90°

IMPORTANT: Do not place the door stop screw in the 130° position on IF Series models. See "Handle and Door Clearances."

Door-to-Door or Door-to-Refrigerator Trim Adjustment

1. Loosen, but do not remove, the four Torx 27 flat-head mounting screws and the two 1/4" hex head mounting screws.
2. Adjust the top hinge of either door to align it with the other door or the refrigerator trim.
3. Tighten the four Torx 27 flat-head mounting screws to a torque of approximately 100 inch-pounds (11.3 Nm) and tighten the two 1/4" hex head mounting screws.



A. Torx 27 flat-head mounting screws
B. 1/4" hex-head mounting screws

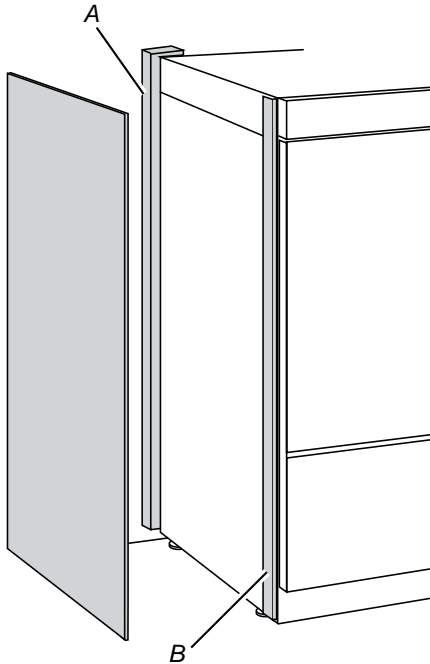
Installation Instructions

Install Side Panel(s)

If the built-in area depth is 25" (63.5 cm) or more, the side panels can be installed inside the side trim or attached to the outside of the side trim.

IMPORTANT: Dacor is not responsible for customer installed molding or decorative panels that need to be removed or replaced to service the refrigerator.

1. For the inside side trim piece, slide the front edge of the routed side panel into the trim piece.
2. Nail the rear edge of the panel to the support board.



A. Support board (mounted to back wall)
B. Cab side trim

Install Base Grille

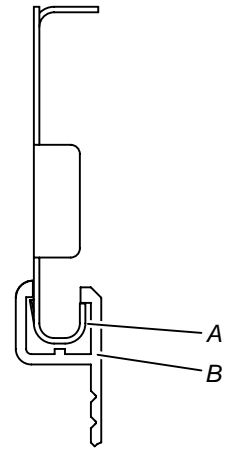
There are two pieces to the base grille to allow for a custom fit: the base grille itself and the skirt. The skirt can be added to the base grille in order to extend it all the way to the floor.

1. To see if the skirt is needed, place the base grille into position. Do not attach the base grille to the refrigerator. Measure the distance between the bottom of the base grille and the floor. The gap must be a minimum of 1/2" (1.3 cm) in order to add the skirt.

NOTE: If the gap measures less than 1/2" (1.3 cm), skip steps 3 and 4 of the instructions, and install the base grille only.

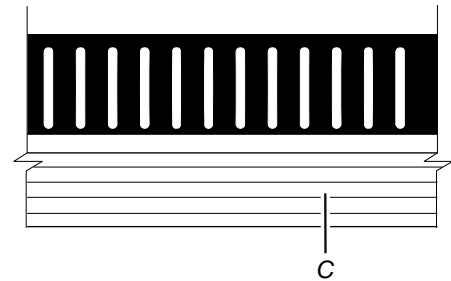
2. Remove the film on the outside of base grille.

3. Snap the skirt onto the base grille.



A. Base grille
B. Skirt

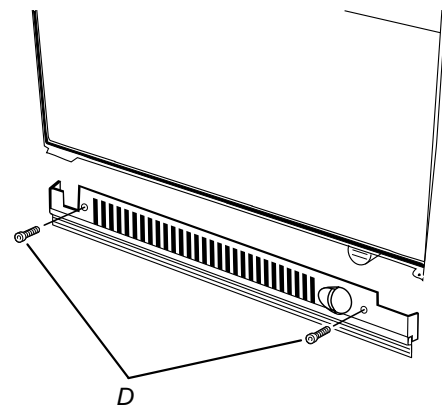
4. Trim the skirt by scoring the proper "V" groove with a utility knife. Break the skirt at the score line.



C. "V" groove

5. Using the two screws, attach the base grille assembly to the refrigerator as shown.

NOTE: Secure the right screw in place first.



D. Screws (2)

Installation Instructions

Complete Installation

1. Turn the water supply line valve to the "Open" position.
2. Turn the refrigerator switch to the on position. See *Power On/Off Switch* in the use and care manual for instructions. Wait a few minutes. Check the water line connections for leaks.
3. Remove all boxes, parts packages and packing materials from the interior of the refrigerator. See the *Care and Cleaning* section in the use and care manual for instructions. Remove the film and cardboard from the grille and doors or door frame, depending on your model.
4. Install the shelves and bins in the refrigerator and freezer compartments.
5. The controls are preset at the factory to the midpoint setting. Check that the compressor is operating properly and that all the lights are working.
6. Flush the water system before use. See *Water System Preparation*.

To get the most efficient use from your new built-in refrigerator, read your use and care manual. Keep Installation Instructions and the use and care manual near the refrigerator for easy reference.

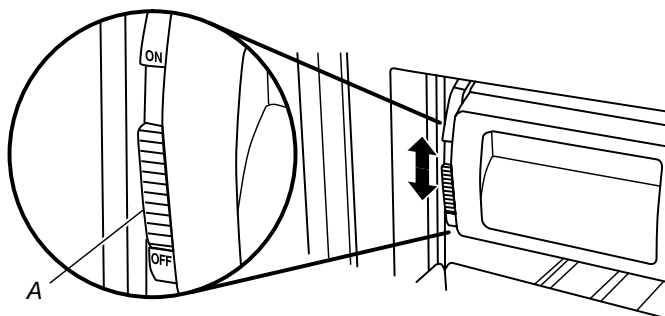
Water System Preparation

Please read before using the water system.

Do not use with water that is microbiologically unsafe or of unknown quality without adequate disinfection before or after the system. Systems certified for cyst reduction may be used on disinfected waters that may contain filterable cysts.

Immediately after installation, follow the steps below to make sure that the water system is properly cleaned.

1. Turn off the ice maker. Slide the ice maker On/Off control, located on the left-hand side of the ice bin, to the off (down) position as shown.



A. On/Off control

NOTE: If your model has a base grille filter system, make sure the base grille filter is properly installed.

2. Turn on the ice maker. Slide the ice maker On/Off control, located on the left-hand side of the ice bin, to the on (up) position. Please refer to *Ice Maker and Storage Bin* section in the use and care manual for further instructions on the operation of the ice maker.
 - Allow 24 hours to produce the first batch of ice.
 - Before using the ice, fill and discard two full containers of ice to prepare the filter for use.

Any questions or problems with this installation should be directed to your Dacor dealer or the Dacor Customer Service Team at (800) 793-0093. You may also visit our web site at www.Dacor.com.

If you need service, be sure to have the model and serial numbers when you call. You'll find these numbers on the serial number label, located on the right hand side of the fresh food compartment.

dacor[®]
The Life of the Kitchen.[®]

Free Manuals Download Website

<http://myh66.com>

<http://usermanuals.us>

<http://www.somanuals.com>

<http://www.4manuals.cc>

<http://www.manual-lib.com>

<http://www.404manual.com>

<http://www.luxmanual.com>

<http://aubethermostatmanual.com>

Golf course search by state

<http://golfingnear.com>

Email search by domain

<http://emailbydomain.com>

Auto manuals search

<http://auto.somanuals.com>

TV manuals search

<http://tv.somanuals.com>