

QUICK-START GUIDE*

for PRO-TILL 10/13

* Refer to operators manual for complete safety and operation info.

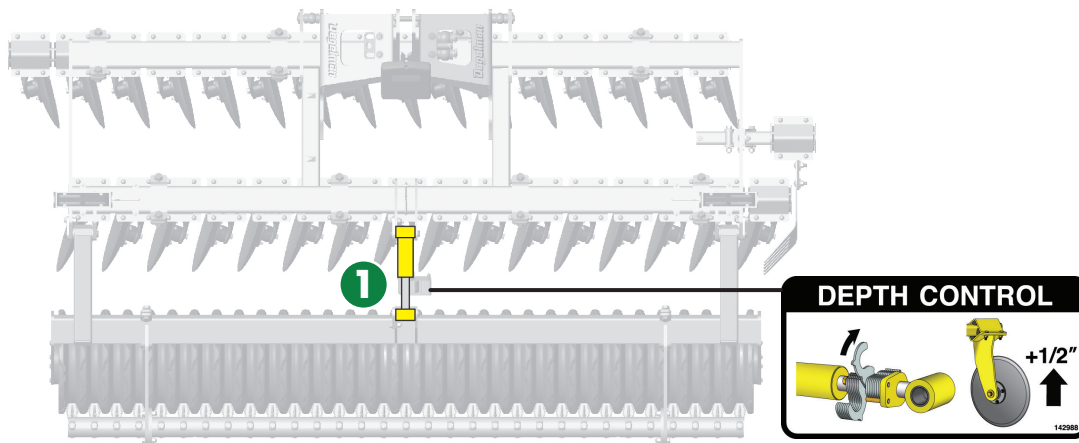
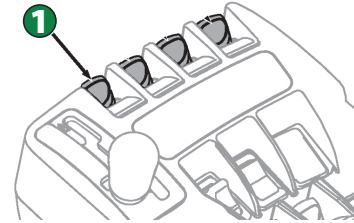
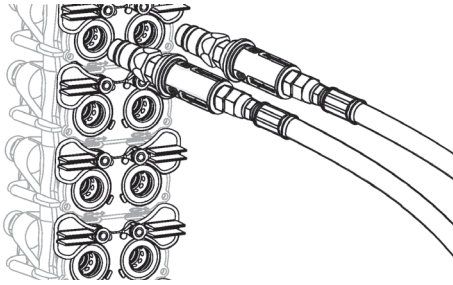


Degelman

A Connect tractor to 3-point hitch.

(NOTE: Adjust pin locations to coincide with CAT size of tractor's 3-point system.)

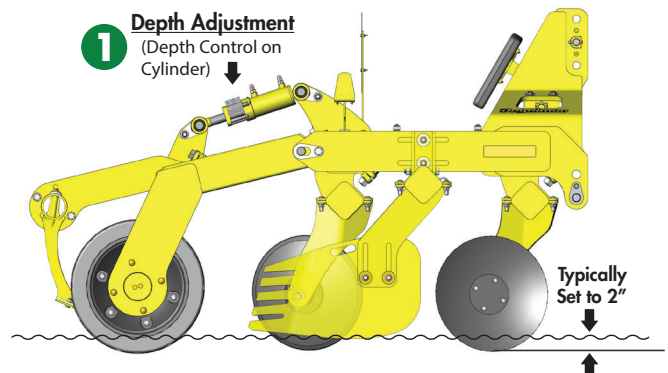
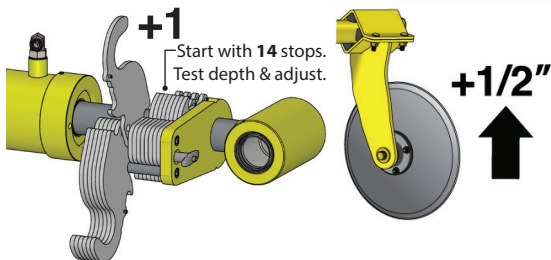
B Connect Hydraulics 1 DEPTH



C Lower Machine

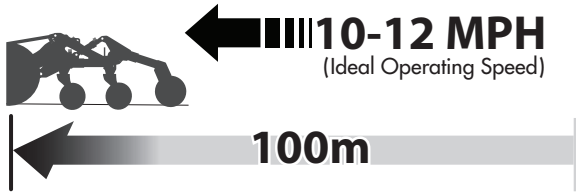
D Set Cutting Depth

IMPORTANT: Cycle oil in the Depth Control Cylinder 1 before use. This is especially important after long periods of storage.



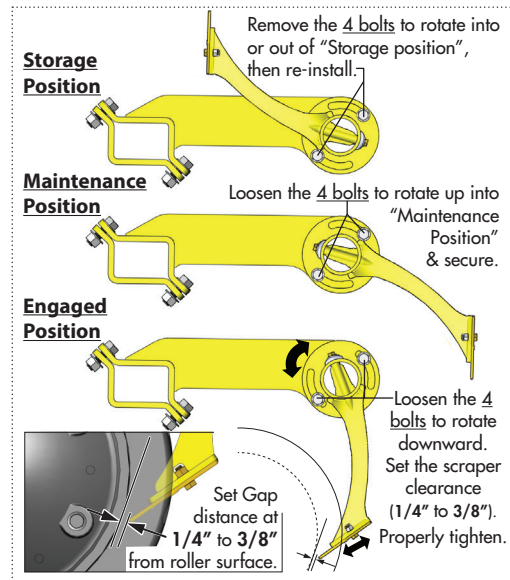
E Test. Check. Adjust.

(NOTE: Adjust top link of 3-point hitch to level unit at desired depth.)



F Raise 1 for Headland Turns.

Scraper Position Overview (Rubber Roller)



Maintenance

(Check Machine Daily)

- Hydraulic Connections/Hoses
- Working points & pins
- Check for missing, worn or damaged parts.

* Refer to operators manual for complete safety and operation info.



GPS Reference

(Set overlap to 4" per side)

(with 20" discs)	2" Depth
Pro-Till 10	117" (9.98m)
Pro-Till 13	157" (3.99m)
(with 20" discs)	MAX Depth
Pro-Till 10	119" (3.02m)
Pro-Till 13	159" (4.04m)

Free Manuals Download Website

<http://myh66.com>

<http://usermanuals.us>

<http://www.somanuals.com>

<http://www.4manuals.cc>

<http://www.manual-lib.com>

<http://www.404manual.com>

<http://www.luxmanual.com>

<http://aubethermostatmanual.com>

Golf course search by state

<http://golfingnear.com>

Email search by domain

<http://emailbydomain.com>

Auto manuals search

<http://auto.somanuals.com>

TV manuals search

<http://tv.somanuals.com>