

ELECTRIC STOVE HEATER
INSTRUCTION MANUAL
QC212-MBKP



ATTENTION:

1. Find a location for the stove heater that is protected from direct sunlight.
2. Do not plug the unit into the power outlet before reading all instructions.

decorflame

SAFETY INSTRUCTIONS

IMPORTANT SAFETY INSTRUCTIONS

WHEN USING ELECTRICAL APPLIANCES, BASIC PRECAUTIONS SHOULD ALWAYS BE FOLLOWED TO REDUCE THE RISK OF FIRE, ELECTRIC SHOCK, AND INJURY TO PERSONS, INCLUDING THE FOLLOWING:

- 1) Read all instructions before using this electric stove heater.
- 2) This electric stove heater is hot when in use. To avoid burns, do not let bare skin touch hot surfaces. The grill directly in front of the heater outlet becomes hot during heater operation. Keep combustible materials, such as furniture, pillows, bedding, papers, clothes, and curtains at least 3 feet (0.9 m) away from the front of the unit and keep them away from the sides and rear.
- 3) Extreme caution is necessary when any heater is used by, or near, children or individuals with disabilities and whenever the stove is left operating and unattended.
- 4) Always unplug heater when not in use.
- 5) Do not operate any heater with a damaged cord or plug or after the heater malfunctions, has been dropped or damaged in any manner. Call our customer service toll free number, 1-800-459-4409 (8:30am to 5:00pm, EST) for examination or repair.
- 6) Do not use outdoors.
- 7) This heater is not intended for use in bathrooms, laundry areas and similar indoor locations. Never locate heater where it may fall into a bathtub or other water container.
- 8) Do not run cord under carpeting. Do not cover cord with throw rugs, runners, or similar coverings. Arrange cord away from traffic area and where it will not be tripped over.
- 9) To disconnect heater, turn controls to off, then remove plug from outlet.
- 10) Do not insert or allow foreign objects to enter any ventilation or exhaust opening as this may cause an electric shock or fire, or damage the heater.
- 11) To prevent a possible fire, do not block air intakes or exhaust in any manner. Do not use on soft surfaces, like a bed, where openings may become blocked.
- 12) A heater has hot and arcing or sparking parts inside. Do not use it in areas where gasoline, paint, or flammable liquids are used or stored.
- 13) Use this heater only as described in this manual. Any other use not recommended by the manufacturer may cause fire, electric shock or injury to persons.
- 14) Always plug heater directly into wall outlet or receptacle. Never use with an extension cord or retractable power bar (outlet/power strip).
- 15) Do not plug this product into a receptacle controlled by a wall switch or dimmer.
- 16) When storing or transporting the unit and cord, keep in a dry place, free from excessive vibration and store so as to avoid damage.

**SAVE THESE INSTRUCTIONS
FOR FUTURE USE.**

SAFETY INSTRUCTIONS / OPERATION

IMPORTANT

Please note: when you open the carton carefully check the unit and make sure there is no damage. If you have any problems with the unit, with how the various functions work, or damaged or missing parts please call 1-800-459-4409 (8:30 am to 5:00 pm, EST) immediately for service.

NOTE: DO NOT RETURN UNIT TO THE STORE BEFORE CALLING THE TOLL FREE NUMBER.

Do not dispose of your cartons until you are completely satisfied with your new stove heater.

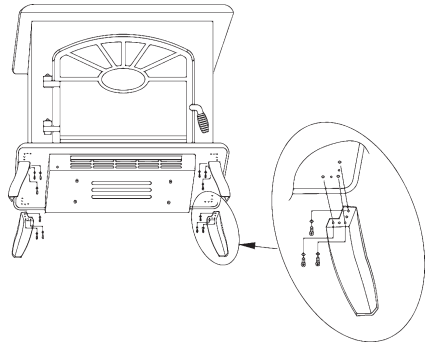
NOTE: Light bulbs may become loose during shipping. If the flame effect is dim or does not work, please check that light bulb or bulbs are finger tight in socket. See instructions for replacing bulb or bulbs. Please do not return the sample to the store before checking light bulbs.

NOTE: The stove may emit a slight harmless odor when first turned on. This is caused by activating the internal heater components for the first time and should not occur again.

A 15 AMP circuit is required to operate this heater. If the breaker trips when the heater is used then you may need to move the heater to another location or unplug other appliances that are on the same circuit. If you require an extension cord, use one that is rated at 1875 watts.

LEG ASSEMBLY

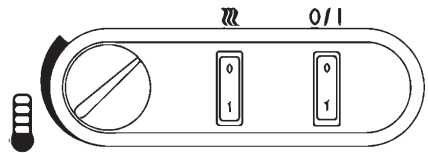
Before using your unit please install the legs as shown in diagram below.




After completely reading instructions, confirm that all controls on stove are in the OFF position. Plug the unit into a 15 amp, 120 volt outlet.

OPERATION

Controls and switches are located on front panel inside the glass door.



I/O: Press this button into the "I" position for main power and flame effect. The indicator light will turn on.

 HEATING: For heat function, press this switch while the O/I switch is in the "I" position for heat. The indicator light will turn on.

OPERATION



THERMOSTAT: To adjust the temperature to your individual requirements, turn the thermostat dial to the right (clockwise) to increase the temperature and to the left to decrease the temperature. This thermostat control dial can only be used while the I/O switch and heating switch are in the "I" position. When the heater reaches the desired temperature, the heater and heating indicator light will turn off, but the fan will continue to operate. Adjust this knob to restart the heater. **NOTE:** When the FLAME switch is turned to the OFF position, all other heater functions will stop even though the switches may be in the "I" position.

THERMOSTAT CONTROL

The heat output is controlled by the thermostat, according to the room temperature. Set the thermostat dial fully clockwise to the maximum position initially.

When the room is warm enough, reduce the setting by slowly turning the thermostat dial anti-clockwise until the heater just clicks OFF. This will then maintain the room temperature at the desired level.

CAUTION:

If you use this heater in conjunction with a thermal control, a program controller, a timer or any other device that switches the heater on automatically, remember to observe all safety warnings at all times.

The stove heater has safety overheat protection. If the overheat protection trips, switch off all switch buttons and wait approximately 5 -10 minutes. It should reset automatically once the unit cools down.

WARNING

Disconnect power and unplug the power cord before attempting any maintenance or cleaning to reduce the risk of fire, electric shock or personal injury. The bulbs in your unit can become extremely hot. Allow at least 10 minutes between turning off the unit and removing the light bulbs to avoid accidental burning of the skin.

FLAME EFFECT

The fire effect is created with the use of a 40 watt B-10 candelabra light bulb with an E-12 (small) socket base. The light bulb will have to be replaced from time to time when they burn out.

During normal operation, the stove heater will always give you simulated flame function. If the intensity of flame suddenly increases, it means that the light bulb is going to burn out.

Replace the light bulb immediately, according to the instruction. Do not operate the stove heater when the light bulb burns out or without the light bulb.

CHANGING THE LIGHT BULB

STEP 1: Open the door of unit with the handle.

STEP 2: Loosen the 2 screws at the front of the log set inside the stove. Carefully lift the logset up far enough to access the light bulbs. You will find 1 x 40 W Type B-10 candelabra light bulb with E-12 socket base at the bottom.

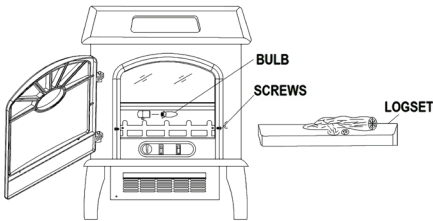
STEP 3: Replace the burned out light

MAINTENANCE

bulb using a new 40 W type B-10 candelabra light bulb.

STEP 4: Reinstall the logset.

STEP 5: Plug in the unit.



CLEANING

To clean unit, first turn off the controls on the unit and unplug the unit from power source.

To clean glass door: remove dust with clean dry cloth or to remove finger prints and other marks clean glass with clean damp cloth. Do not use abrasive cleaners or spray liquids on the glass door surface.

Metal and metal painted parts should be cleaned with damp cloth. Do not use abrasive cleaners or spray liquids on these surfaces.

STORAGE

When the heater is not in use, the heater should be stored in a dry location, away from possible damage. The power cord should be stored properly to avoid contact with hot or sharp objects.

WARRANTY

WARRANTY

Every electric stove is tested before it leaves the factory and it is guaranteed for one year. If the unit should fail to operate correctly within one year from the date of purchase, call customer service at 1-800-459-4409 (8:30am to 5:00pm, EST). We will, at our discretion either repair or replace the unit. It will have to be returned to us freight prepaid and we will return the repaired or replaced unit to you freight prepaid. The company's sole obligation is to repair or replace the unit. This warranty is void if in the opinion of Quality Craft the unit has been tampered with, altered, misused, damaged, abused or used with the wrong power source. Light bulbs are not covered by this warranty. The warranty is for homeowner use only and does not cover units used in commercial situations.

WARRANTY CLAIM PROCEDURE

If a claimable defect occurs, please fill out a claim form through our website at: www.qualitycraft.com or contact our customer service department at 1-800-459-4409 (8:30am to 5:00pm, EST).

Before you make your claim call, please make sure you have:

1. The description of the electric stove
2. Proof of sale
3. Details regarding the defect
4. Name and address of the owner and installer

Claims must be filled out in writing and returned within six (6) months of appearance of defect. Failure to comply with this stipulation will make the warranty null and void. We reserve the right to a thirty-day (30) delay following receipt of claim in which to inspect the product. We assume no responsibility for labor costs, removing/replacing a previously installed product, transportation or return of a product.

IMPORTED BY

Quality Craft

Laval, Quebec, Canada H7C 0A5
1-800-459-4409
www.qualitycraft.com

Made in China

Free Manuals Download Website

<http://myh66.com>

<http://usermanuals.us>

<http://www.somanuals.com>

<http://www.4manuals.cc>

<http://www.manual-lib.com>

<http://www.404manual.com>

<http://www.luxmanual.com>

<http://aubethermostatmanual.com>

Golf course search by state

<http://golfingnear.com>

Email search by domain

<http://emailbydomain.com>

Auto manuals search

<http://auto.somanuals.com>

TV manuals search

<http://tv.somanuals.com>