

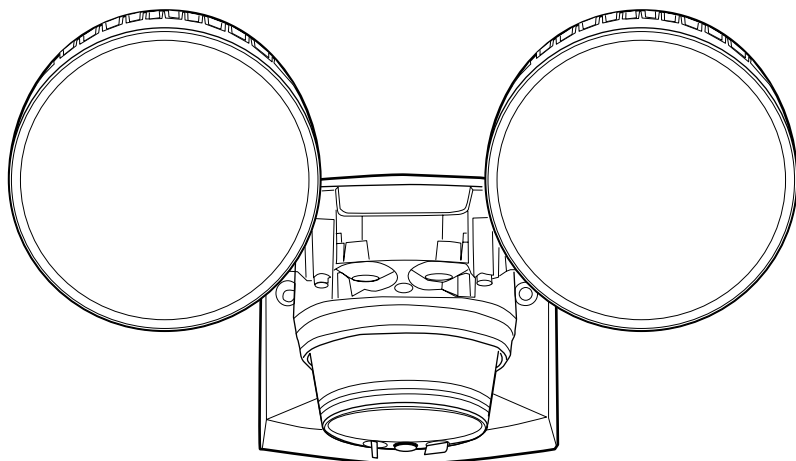
**DEFIANT®**

Item #1001620687  
Model #HD-2703-WH  
HD-2703-BZ

# USE AND CARE GUIDE

---

## MOTION SECURITY LIGHT



Questions, problems, missing parts? Before returning to the store,  
call Defiant Customer Service  
8 a.m. - 7 p.m., EST, Monday - Friday, 9 a.m. - 6 p.m., EST, Saturday

1-866-308-3976

HOMEDEPOT.COM

---

### THANK YOU

*We appreciate the trust and confidence you have placed in Defiant through the purchase of this motion security light. We strive to continually create quality products designed to enhance your home. Visit us online to see our full line of products available for your home improvement needs. Thank you for choosing Defiant!*

# Table of Contents

Table of Contents .....	2	Tools Required .....	3
Safety Information .....	2	Hardware Included.....	4
Precautions .....		Package Contents .....	5
Warranty .....	2	Mounting Location .....	5
5-Year Warranty .....	2	Installation .....	6
Specifications .....	3	Operation .....	7
Pre-Installation .....	3	Care and Cleaning .....	10
Planning Installation .....	3	Troubleshooting .....	10

# Safety Information

## PRECAUTIONS

Please read and understand this entire manual before attempting to assemble, install, or operate this light fixture.

The light fixture requires 120-volts AC.

Some codes require installation by qualified electrician.

This light fixture is intended for use with the enclosed gasket and with a junction box marked for use in wet locations.

For proper operation, this light fixture should be:

- Installed outdoors on a wall, or under an eave.
- Installed 7 ft. (2.1m) above the ground (if the light fixture is mounted higher than recommended, aiming the sensor down will reduce the coverage area).

**NOTICE:** Do not wire this light fixture to a dimmer switch or timer.



**WARNING:** Turn the power off at the circuit breaker or fuse. Place tape over the circuit breaker switch and verify power is off at the light fixture.



**WARNING:** "THIS PRODUCT MUST BE INSTALLED IN ACCORDANCE WITH THE APPLICABLE INSTALLATION CODE BY A PERSON FAMILIAR WITH THE CONSTRUCTION AND OPERATION OF THE PRODUCT AND THE HARZARDS INVOLVED"



**WARNING:** This device complies with Part 15 of the FCC Rules.  
Operation is subject to the following two conditions:  
(1) this device may not cause harmful interference, and  
(2) this device must accept any interference received, including interference that may cause undesired operation.



**WARNING:** Changes or modifications not expressly approved by the party responsible for compliance could void the user's authority to operate the equipment.



**CAUTION:** Burn hazard. Allow the light fixture and the bulb to cool before touching.



**CAUTION:** Do not cut any wires with factory installed wire connectors or remove the wire connectors.



**WARNING:** This equipment has been tested and found to comply with limits for a Class B digital device, pursuant to Part 15 of the FCC Rules. These limits are designed to provide reasonable protection against harmful interference in a residential installation. This equipment generates, uses and can radiate radio frequency energy and, if not installed and used in accordance with the instructions, may cause harmful interference to radio communications.

However, there is no guarantee that interference will not occur in a particular installation. If this equipment does cause harmful interference to radio or television reception, which can be determined by turning the equipment off and on, the user is encouraged to try to correct the interference by one or more of the following measures:

- Reorient or relocate the receiving antenna.
- Increase the separation between the equipment and the receiver.
- Connect the equipment into an outlet on a circuit different from that to which the receiver is connected.
- Consult the dealer or an experienced radio/TV technician for help.

# Warranty

## 5-YEAR WARRANTY

Contact the Customer Service Team at 1-866-308-3976 or visit [www.homedepot.com](http://www.homedepot.com).

# Specifications

Detection Range	Up to 70 ft. (21m) - Varies with surrounding temperature
Sensing angle	Up to 270°
Time delay	1, 5, or 10 minutes
HI-LO timer	OFF, Dusk-to-Dawn, Seasonal adjusted timer mode
Operating modes	Auto, Manual, Eco, Smart

# Pre-Installation

## PLANNING INSTALLATION

Before installing the light fixture, ensure that all parts are present (see Hardware Included on page 4). If any part is missing or damaged, do not attempt to assemble, install, or operate this light fixture.

Estimated installation time: 30 minutes

## TOOLS REQUIRED



Phillips screwdriver



Flathead screwdriver



Pliers



Wire strippers/cutters



Circuit tester



Work gloves



Electrical tape



Silicone sealant



Ladder



Safety goggles

# Pre-Installation (continued)

## HARDWARE INCLUDED



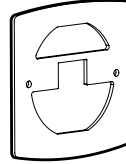
**NOTE:** Hardware shown not to scale



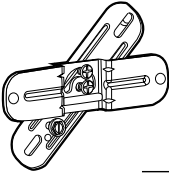
\_\_\_\_\_ AA



\_\_\_\_\_ BB



\_\_\_\_\_ CC



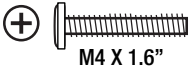
\_\_\_\_\_ DD



\_\_\_\_\_ EE



\_\_\_\_\_ FF



M4 X 1.6"

\_\_\_\_\_ GG



M4 X 1.9"

\_\_\_\_\_ HH

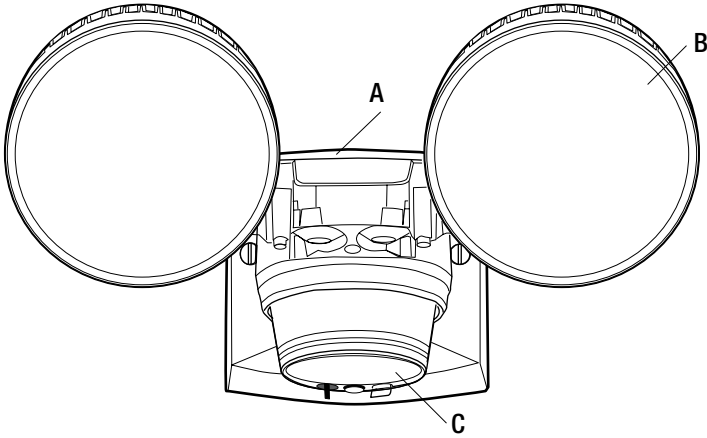


\_\_\_\_\_ II

Part	Description	Quantity
AA	Wire connector	2
BB	Connector wire (black and white)	1
CC	Gasket	1
DD	Mounting bracket	1
EE	Mounting bracket screw 1	2
FF	Mounting bracket screw 2	2
GG	Mounting bracket screw (M4 X 1.6")	2
HH	Mounting bracket screw (M4 X 1.9")	2
II	Decorative nut	2

# Pre-Installation (continued)

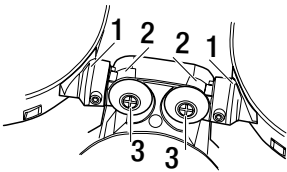
## PACKAGE CONTENTS



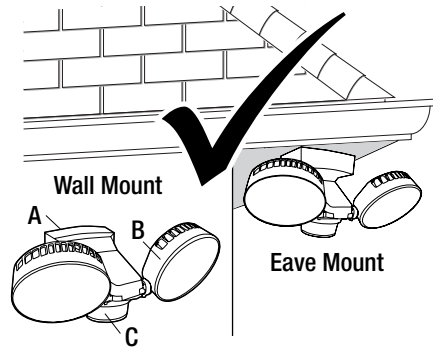
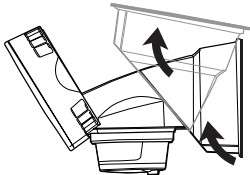
Part	Description	Quantity
A	Main body	1
B	Lamp head	2
C	PIR lens	1

## MOUNTING LOCATIONS

- Determine the mounting location - a wall or under an eave.
- Position lamp head (B) in the general direction of the desired light coverage and tighten the screws (3) if needed.



- Rotate the body up to change from wall mount to eave mount as per drawing below.



# Installation

## 1 Installing the Mounting Bracket

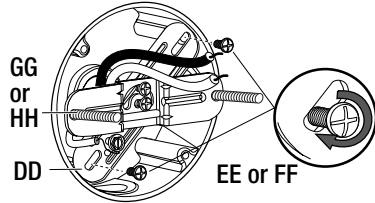


**WARNING:** Turn the power off at the circuit breaker or fuse. Place tape over the circuit breaker switch and verify power is off at the light fixture.



**NOTE:** Firmly pull on the mounting bracket to verify it is securely mounted to the junction box. If necessary, use the screws that were removed from the existing light fixture.

- Remove the existing light fixture.
- Thread the shorter of the two sets of long mounting bracket screws (GG) all the way through the outer mounting bracket from the back, so the threads come out through the front.
- Install the mounting bracket to the junction box by using the screws (EE or FF) and going through the slots of the rear mounting bracket.  
Select the screws (EE or FF) that best fit the holes of your junction box, or if necessary, reuse the original screws.

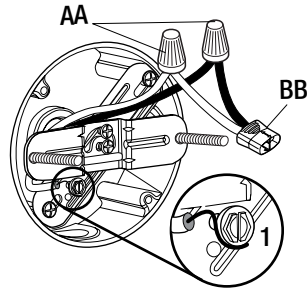


## 2 Wiring the Light Fixture



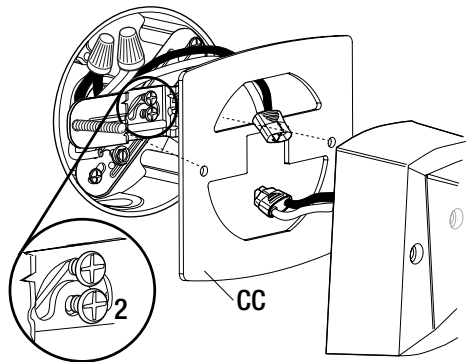
**CAUTION:** Do not cut any wires with factory installed wire connectors or remove the wire connectors.

- Connect the connector wire (BB) to the junction box wires with wire connectors (AA):
  - White to white
  - Black to black
- Connect the ground wire to the ground screws (1) on the mounting bracket, then tighten the ground screw.



## 3 Attaching the Gasket

- Insert the wires with connector into the junction box.
- Attach the gasket (CC) to the mounting bracket. See final gasket position in the diagram in section 4 for your reference.
- Tighten the mounting bracket screws (2).



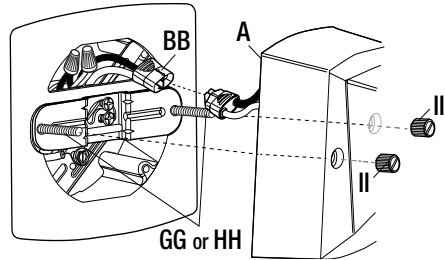
## Installation (continued)

### 4 Mounting the Light Fixture

- ❑ Plug the connector (BB) into the connector on the back of the fixture (A).
- ❑ Align the main body (A) to the mounting bracket screws (GG) and slide the light fixture over the screws. Firmly push the light fixture against the junction box, so the mounting bracket screws come out through the holes on the front of the light fixture.
- ❑ Attach decorative nuts to the mounting bracket screws and tighten.



**NOTE:** Make sure all the wires are inside the junction box before attaching the main body (A) to the junction box.

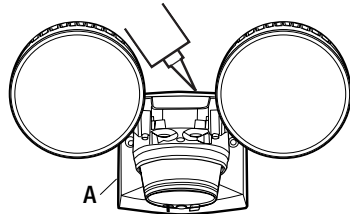


**Note:** If the mounting bracket screws (GG) are not long enough to allow the decorative nuts (II) to be threaded on them, then you will need to replace the shorter set of screws (GG) with the longer set of screws (HH). This is usually due to the junction box being recessed into the wall.

If the longer mounting bracket screws are necessary, remove the fixture from the screws, unplug the connector wire, remove the mounting bracket and replace the mounting bracket screws with the longer screws. Repeat the installation steps starting with section 1.

### 5 Caulking Around the Light Fixture

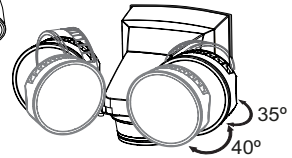
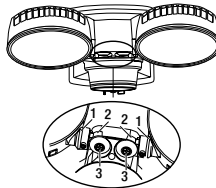
- ❑ Caulk around the edge of the main body (A) and the mounting surface with silicone sealant (not included).



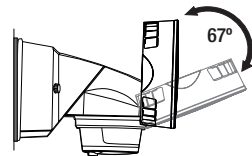
## Operation

### 1 Lamp Adjustment

- ❑ Turn the power on at the circuit breaker or fuse and turn on the wall switch.
- ❑ Hinge (1) can tilt the lamps up.
- ❑ Hinge (2) can pan the lights in and out.
- ❑ Tighten screws (3) if loose.



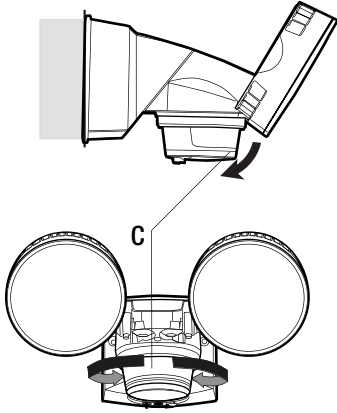
**NOTE:** Do not rotate the bulb holders more than 180° from the factory setting.



## Operation (continued)

### 2 Sensor Head Adjustment

- Rotate the motion sensor (C) so the controls face toward the ground.
- The sensor can be tilted up and down, as well as rotated left and right.

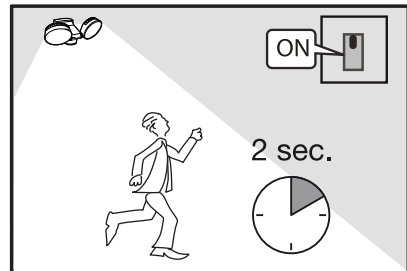


### 3 Setting the Sensor for Testing

- Turn on power. Conduct a walk test to adjust the sensor coverage area. Sensor will be in TEST mode automatically for 2 minutes. Lights will come on for approximately 2-3 seconds in TEST mode.
- Sensor stays in TEST mode until it no longer senses motion for more than 2 minutes, then it will revert to the AUTO sensing mode.

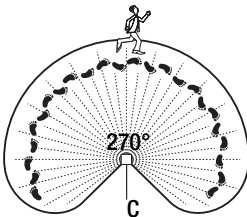


**NOTE:** The motion sensor will need to completely warm up (60 seconds) before beginning the setup process.





### 4 Adjusting the Motion Sensor Detection Zone

- Turn on the circuit breaker or fuse and the light switch.
- Perform a "walk test". Walk in an arc across the front of the motion sensor (C).
- Watch the light. The light will come on indicating motion has been detected.
- Stop, wait for the light to turn off, and then begin walking again.
- Continue this process until the detection zone has been established.
- Adjust the sensor up, down, or side to side to change the motion sensor (C) detection zone.



### 5 Adjusting the HI/LO Light Level

HI level security lighting and LO level accent lighting.

- Off** HI-LO feature is off. Works with motion sensor after dark at 100% brightness.
-  (Dusk to Dawn Mode): At Dusk, lights will turn On at 30% of normal brightness and then will dim to 15% in the middle of the night hours. The middle of the night is calculated automatically by the sensor. At Dawn, lights will turn Off automatically.
-  (Timer Mode): Seasonally Adjusted Timer: At Dusk, lights turn On at 30% and then shut Off in the middle of the night hours (calculated automatically by the sensor).





## Operation (continued)

### 6 Adjust the Dusk Learn

If desired, you can set the level of darkness at which the sensor becomes active and at which the Hi-Lo feature comes on in the “Lo” accent mode.

- Press once: To learn the current level of brightness and set this as your new “Dusk” level.
- Press twice within 5 seconds: Back to factory default setting (+/- 5 lux)
- Press and hold the button more than 5 seconds: The unit will enter or exit the permanent TEST mode (Store fixture test mode).
  - Lamp flashes 3 times = Store test mode
  - Lamp flashes 1 time = Back to normal function



### 7 Adjusting the Time

#### ECO mode:

- Motion sensor lighting is set to minimize power usage. Lights turn on with motion for 10 seconds and continue to stay on as long as motion is detected. Lights will dim to warn that lights will be shutting off soon.

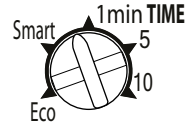
#### SMART mode:

- Sensor learns from your behavior to automatically adjust the time.

For example, after multiple detections in a short period, motion sensor automatically extends to the maximum time.

#### ON-TIME:

- 1 min, 5 min, or 10 min. Lights stay for the time set, after motion is no longer detected.

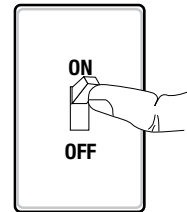
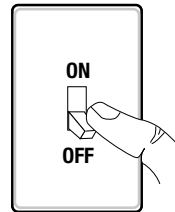


### 8 Using Manual Override Mode

Manual mode overrides the motion sensor (C) and “ON-TIMES” control so the lights will operate in “ON” mode at full brightness. This feature only works at night for 6 hours.

The motion sensor (C) will reset to motion sensing mode. Manual mode can be toggled on and off using a wall switch.

- To manually turn the lights “ON”, turn the light switch OFF and back ON again between 0.2 seconds to 1.5 seconds.
- To cancel the manual override mode, turn the light switch OFF and back ON again between 0.2 seconds to 1.5 seconds.



Turn the light switch Off and back On again within 0.2 to 1.5 seconds.



**NOTE:** If the power to the light fixture is off for more than 5 seconds, allow the motion sensor to warm up prior to switching to manual mode.

## Care and Cleaning

- To prolong the original appearance, clean with clear water and soft, damp cloth only.
- Do not use paints, solvents, or other chemicals on this light fixture. They could cause a premature deterioration of the finish. This is not a defect in the finish and will not be covered by the warranty.
- Do not spray with a hose or power washer.

## Troubleshooting

Problem	Possible Cause	Solution
The light will not come on.	<ul style="list-style-type: none"> <li>□ The light switch is turned off.</li> <li>□ The fuse is blown or the circuit breaker is turned off.</li> <li>□ Daylight turn-off (photocell) is in effect.</li> <li>□ The circuit wiring is incorrect, if this is a new installation.</li> <li>□ The motion sensor is aimed in the wrong direction.</li> </ul>	<ul style="list-style-type: none"> <li>□ Turn the light switch on.</li> <li>□ Replace the fuse or turn the circuit breaker on.</li> <li>□ Recheck after dark.</li> <li>□ Verify the wiring is correct.</li> <li>□ Re-aim the motion sensor to cover the desired area.</li> </ul>
The light comes on during the day.	<ul style="list-style-type: none"> <li>□ The motion sensor may be installed in a relatively dark location.</li> <li>□ Dusk Learn was set at day condition.</li> </ul>	<ul style="list-style-type: none"> <li>□ The light fixture is operating normally under these circumstances.</li> <li>□ Reset the dusk learn button by pushing once at the desired level of darkness, or put back in the factory setting by pushing the dusk learn button twice within 5 seconds.</li> </ul>
The light comes on for no apparent reason.	<ul style="list-style-type: none"> <li>□ The motion sensor may be sensing small animals or automobile traffic.</li> <li>□ The HI-LO switch is set to Dusk to Dawn or Dusk Timer mode.</li> </ul>	<ul style="list-style-type: none"> <li>□ Re-aim the motion sensor.</li> <li>□ The light fixture is operating normally under these circumstances.</li> </ul>
The lights turn off too late in Dusk-to-Dawn setting.	The light fixture may be installed in a relatively dark location.	Reset the light level (lux) at which the sensor operates with the dusk learn button. This will allow you to reset the outside light level at which the motion sensor becomes active and the Hi-Lo feature operates.

## Troubleshooting (continued)

Problem	Possible Cause	Solution
The lights stay on continuously.	<ul style="list-style-type: none"> <li>□ A lamp is positioned too close to the motion sensor or pointed at nearby objects that cause heat to trigger the motion sensor.</li> <li>□ The motion sensor may be picking up a heat source like an air vent, dryer vent, or brightly painted, heat-reflective surface.</li> <li>□ The motion sensor is in manual mode.</li>   <li>□ The light fixture is on the same circuit as a motor, transformer, or fluorescent bulb.</li> </ul>	<ul style="list-style-type: none"> <li>□ Reposition the lamp away from the motion sensor or nearby objects.</li>   <li>□ Turn the light switch that operates the fixture Off and back On again within 0.2 to 1.5 seconds.</li> <li>□ Install the light fixture on a circuit without motors, transformers, or fluorescent bulbs.</li> </ul>
The lights flash on and off.	<ul style="list-style-type: none"> <li>□ Heat or light from the lamp head may be turning the motion sensor On and Off.</li> <li>□ Heat is being reflected from other objects and may be turning the motion sensor on and off.</li> <li>□ The motion sensor is in "TEST" mode and warming up.</li> </ul>	<ul style="list-style-type: none"> <li>□ Reposition the lamp head from the motion sensor.</li> <li>□ Reposition the motion sensor.</li>   <li>□ Flashing is normal under these conditions.</li> </ul>

# DEFIANT<sup>®</sup>

Questions, problems, missing parts? Before returning to the store,  
call Defiant Customer Service  
8 a.m. - 7 p.m., EST, Monday-Friday, 9 a.m. - 6 p.m., EST, Saturday

**1-866-308-3976**

**HOMEDEPOT.COM**

**Retain this manual for future use.**

## Free Manuals Download Website

<http://myh66.com>

<http://usermanuals.us>

<http://www.somanuals.com>

<http://www.4manuals.cc>

<http://www.manual-lib.com>

<http://www.404manual.com>

<http://www.luxmanual.com>

<http://aubethermostatmanual.com>

Golf course search by state

<http://golfingnear.com>

Email search by domain

<http://emailbydomain.com>

Auto manuals search

<http://auto.somanuals.com>

TV manuals search

<http://tv.somanuals.com>