

A-Frame Awning & Screen Room

Model 747AFRM17.XXX

| | |
|---|---|
| INTRODUCTION | 2 |
| IMPORTANT SAFETY INSTRUCTIONS AND DOCUMENT SYMBOLS..... | 2 |
| A. Recognize Safety Information..... | 2 |
| B. Understand Signal Words..... | 2 |
| C. Supplemental Directives..... | 2 |
| D. General Safety Messages | 2 |
| GENERAL INFORMATION..... | 3 |
| INITIAL ASSEMBLY..... | 3 |
| A. Assembling For The First Time | 3 |
| ASSEMBLY | 4 |
| A. Erecting The Room..... | 4 |
| ROOM SETUP VARIATIONS..... | 6 |
| TAKE DOWN..... | 6 |
| A. Taking Down And Storing The Room | 6 |
| WARRANTY | 7 |



Read these instructions carefully. These instructions MUST stay with this product.

Dometic Corporation reserves the right to modify product appearances and specifications without notice.

REVISION B

Form No. 3314184.000 02/17
©2017 Dometic Corporation
LaGrange, IN 46761

USA

SERVICE OFFICE
Dometic Corporation
1120 North Main Street
Elkhart, IN 46514

CANADA

Dometic Corporation
46 Zatonski, Unit 3
Brantford, ON N3T 5L8
CANADA

**SERVICE CENTER &
DEALER LOCATIONS**

Visit:
www.eDometic.com

INTRODUCTION

This A-Frame Awning and Screen Room (hereinafter referred to as "Screen Room") is designed and intended to fit on most A-Frame style pop-up campers (hereinafter referred to as "camper"). Use these instructions to ensure correct installation, function, and operation of the product.

Dometic Corporation reserves the right to modify appearances and specifications without notice.

IMPORTANT SAFETY INSTRUCTIONS AND DOCUMENT SYMBOLS

This manual has safety information and instructions to help you eliminate or reduce the risk of accidents and injuries.

A. Recognize Safety Information



This is the safety alert symbol. It is used to alert you to potential physical injury hazards. Obey all safety messages that follow this symbol to avoid possible injury or death.

B. Understand Signal Words

A signal word will identify safety messages and property damage messages, and will indicate the degree or level of hazard seriousness.

⚠ WARNING indicates a hazardous situation that, if NOT avoided, could result in death or serious injury.

⚠ CAUTION indicates a hazardous situation that, if NOT avoided, could result in minor or moderate injury.

NOTICE is used to address practices **NOT** related to physical injury.

i Indicates additional information that is not related to physical injury.

C. Supplemental Directives



Read and follow all safety information and instructions to avoid possible injury or death.

Read and understand these instructions before installation of this product.

Incorrect installation of this product can lead to serious injury.

The installation **MUST** comply with all applicable local or national codes, including the latest edition of the following standards:

U.S.A.

- ANSI/NFPA70, National Electrical Code (NEC)
- ANSI/NFPA 1192, Recreational Vehicles Code

CANADA

- CSA C22.1, Parts I & II, Canadian Electrical Code
- CSA Z240 RV Series, Recreational Vehicles

D. General Safety Messages

⚠ WARNING Failure to obey the following warnings could result in death or serious injury:

- This product **MUST** be serviced by a qualified service technician.
- Do not use heaters, cooking grills, camp fires, camp stoves, or gas burning lamps inside the Screen Room.
- Never operate generators, motorcycles, or any internal combustion engines inside the Screen Room.
- Close attention is necessary when used by or near children. Do not allow children or adults to lean against the sides or front of the Screen Room.
- Do not suspend electrical lights from the room's poles or allow electrical lights to come in contact with the fabric of the Screen Room.
- Do not modify or change the installation of this Screen Room.
- Use the Screen Room only as described in this manual.

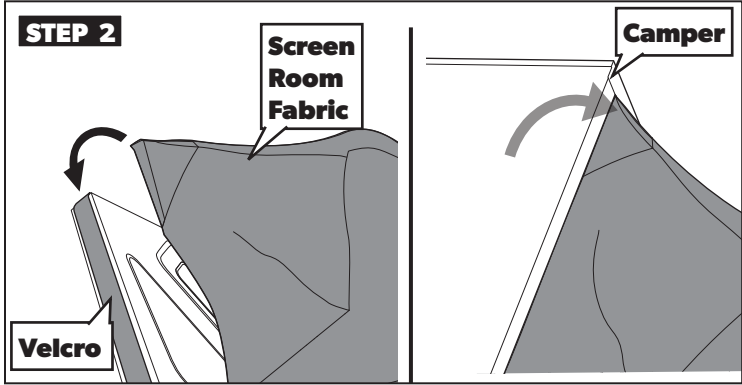
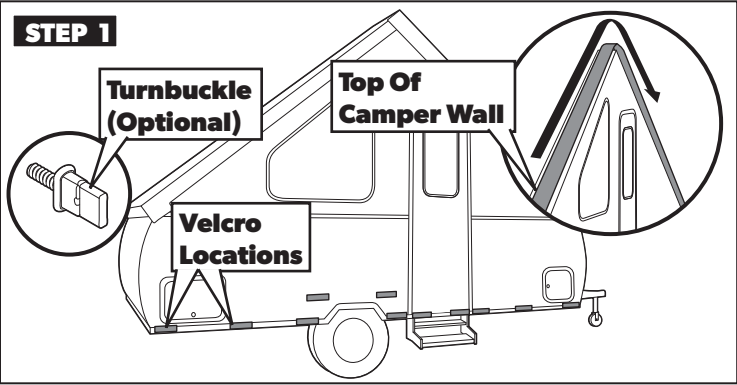
GENERAL INFORMATION

| REQUIRED TOOLS | |
|---|---|
| Scissors | Mallet |
| BASIC COMPONENTS | |
| (1) Stowage Bag | (1) Screen Room Fabric Assembly |
| (1) Sectioned Central Roof Pole | (2) Extendable Side Roof Poles |
| (1) Sectioned Arch Pole | (2) Sectioned Vertical Corner Poles |
| (25) Tent Stakes | (2) Hold Down Straps |
| (1) Mesh Camper Skirt | (1) 25-Foot Roll of Velcro ("hook" side only) |
| (12) 3-Inch Pieces of Velcro ("hook" side only) | (6) Turnbuckles |
| OPTIONAL COMPONENTS AND KITS | |
| Velcro Kit | |

INITIAL ASSEMBLY

A. Assembling For The First Time

The following steps need to be completed only when installing the Screen Room for the first time.



- Lower the camper wall enough to reach its top edge.
- Secure Velcro to the top of the camper wall.
- Secure the 3-inch Velcro strips or turnbuckles to the side of the camper as indicated. Use the camper skirt for positioning the Velcro.

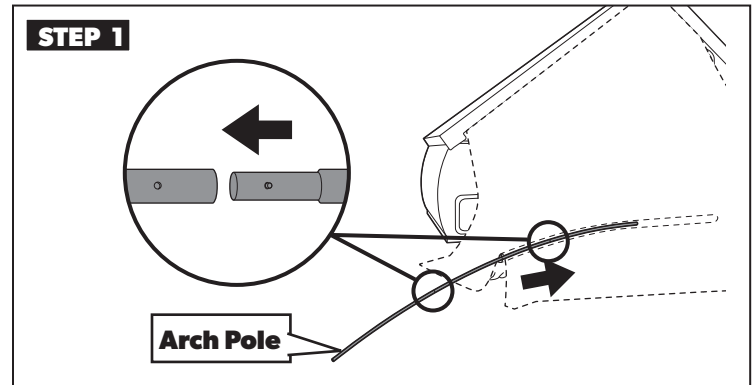
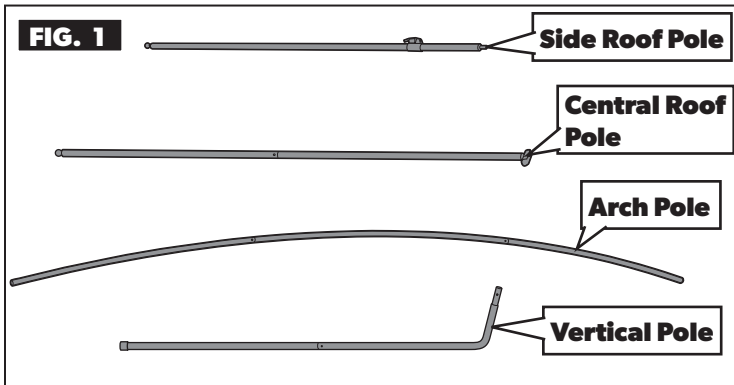
i The locations shown are guidelines. If you are using Velcro, use enough to securely fasten the camper skirt to your camper.

- Use the roll of Velcro to cover the top edge of the camper folding wall. Trim the excess Velcro with scissors.
- Secure the Screen Room fabric to the Velcro from the peak of the folding wall to the bottom corners.
- Raise the camper wall into position with the Screen Room fabric pulled to the outside of the camper.

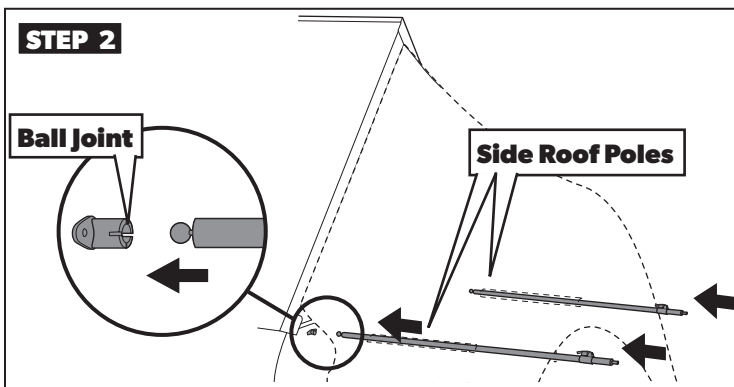
ASSEMBLY

A. Erecting The Room

i The steps in this section need to be completed each time the room is erected.

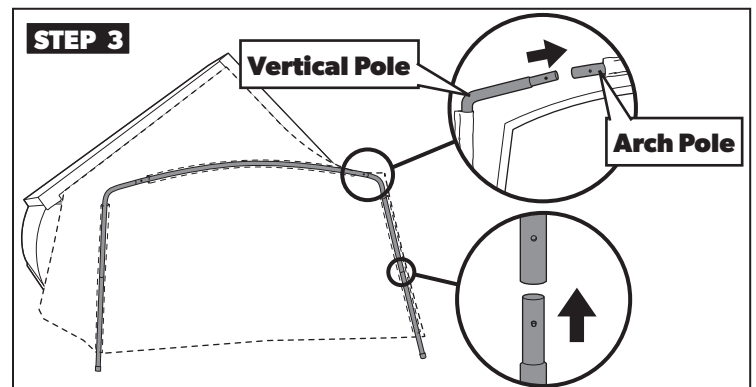


- Assemble the sectioned poles by snapping the sections together.
- Insert the arch pole into the fabric.

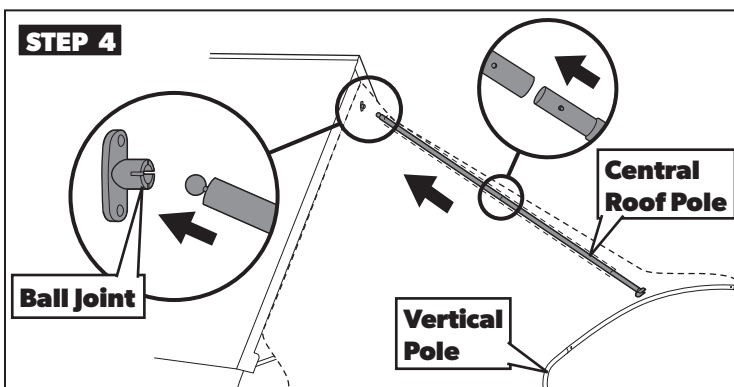


- Insert the side roof poles into the fabric.
- Secure the side roof poles to the ball joints.

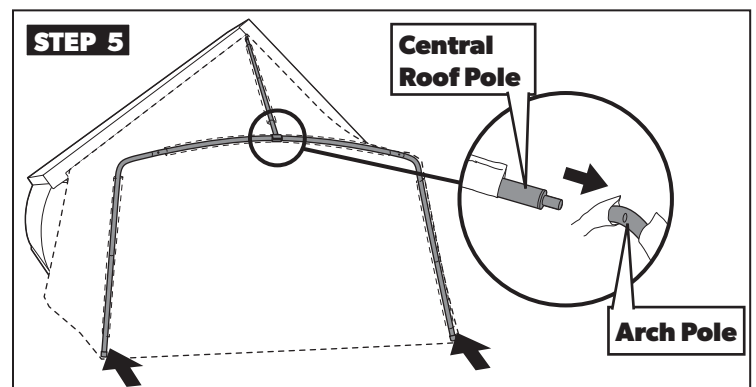
i If the ball joint was not pre-installed on the camper, attach it to the side wall below the top folding portion of the camper, as indicated.



- Insert the vertical poles into the fabric.
- Secure the vertical poles to the arch pole.

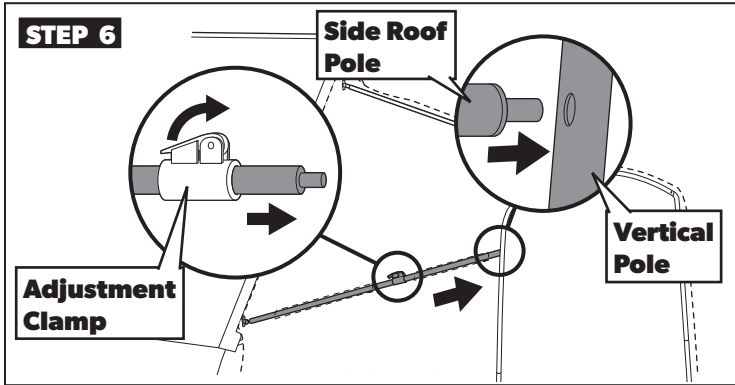


- Pull the vertical poles away from the camper and insert the central roof pole into the fabric.
- Insert the central roof pole into the ball joint at the peak of the folding wall.

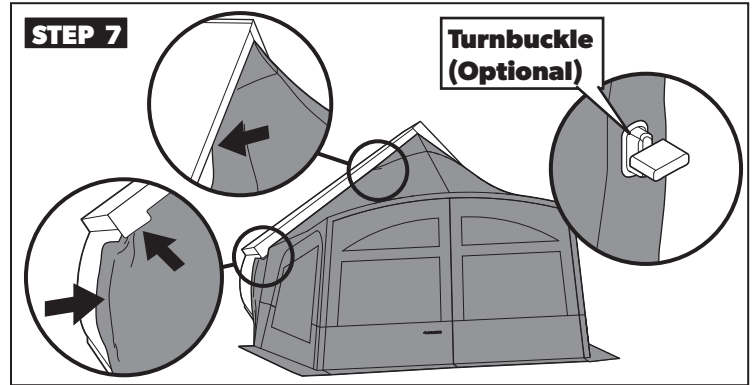


- Insert the central roof pole into the arch pole opening.
- Raise the Screen Room by moving the vertical poles into a standing position.

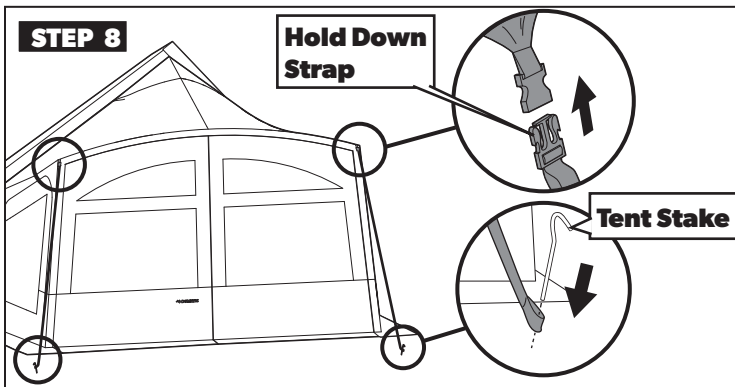
ASSEMBLY



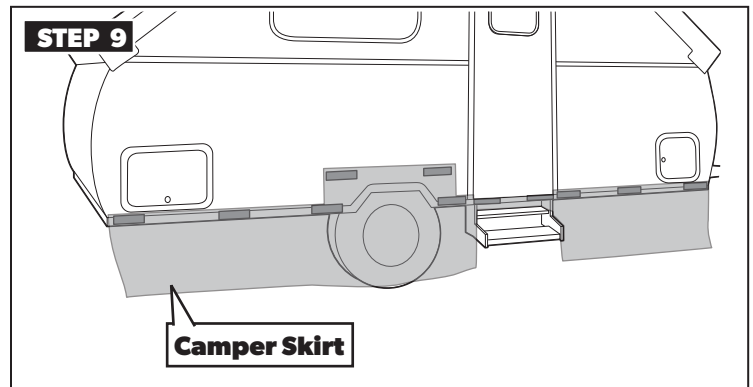
- Release the adjustment clamp on the side roof poles and extend the poles until they reach the vertical poles.
- Insert the pin on the end of each side roof pole into the corresponding hole in the vertical pole.



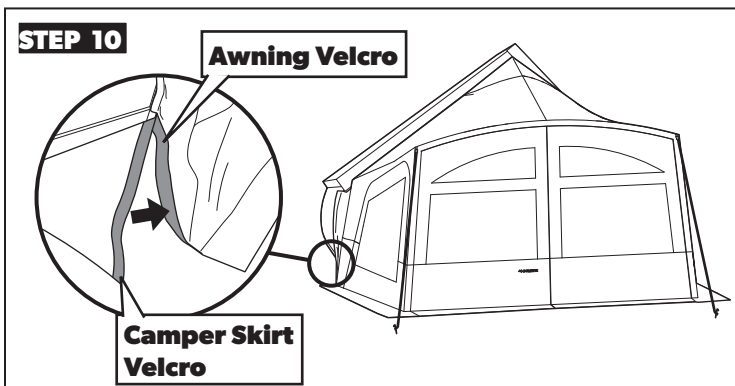
- Tuck the Screen Room fabric under the side wall hinge cover on the camper and attach it to the Velcro or turnbuckles on the ends of the camper.



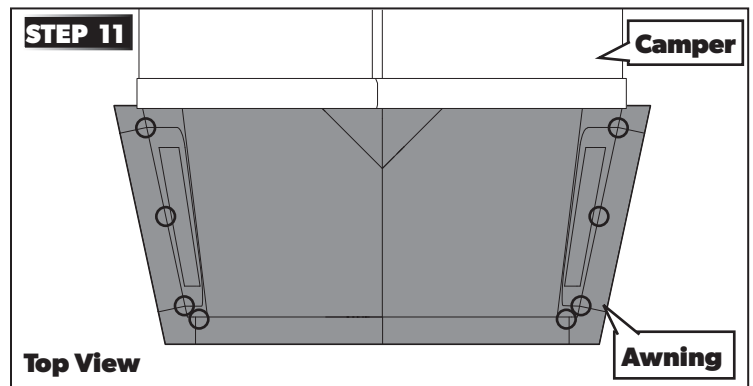
- Buckle the two hold down straps to the front corners of the Screen Room.
- Stake the straps to the ground.



- Secure the mesh camper skirt to the Velcro near the wheel well of the camper wall.



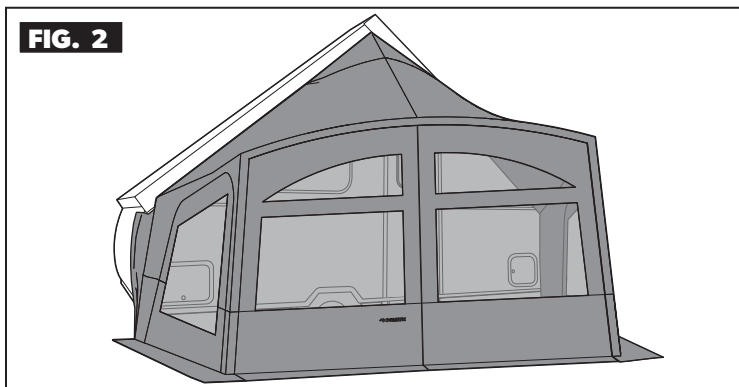
- Secure the mesh camper skirt to the Screen Room fabric.



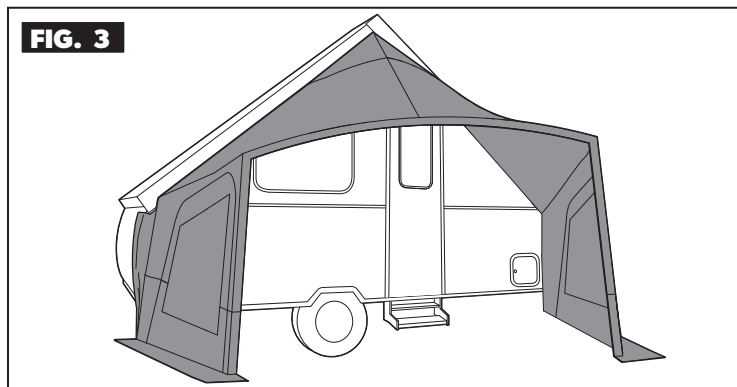
- Stake the inside of the Screen Room to the ground through the loops at the locations shown.

ROOM SETUP VARIATIONS

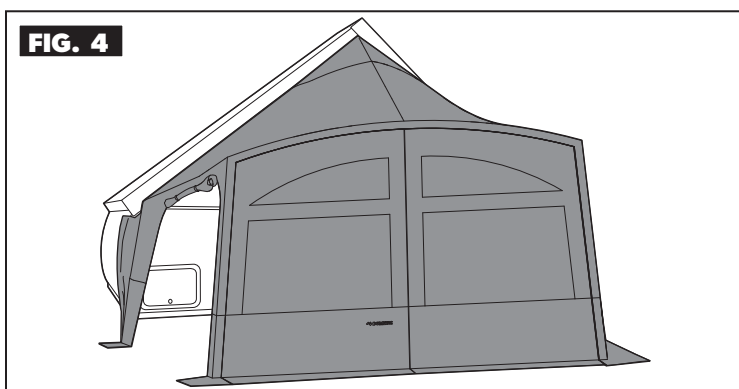
Windows Unzipped



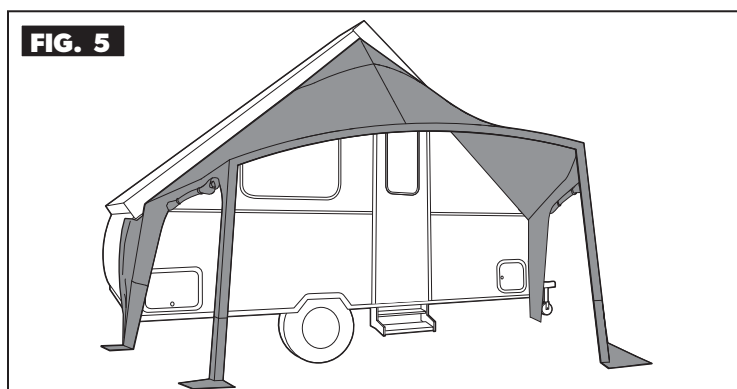
Front Wall Removed



Side Walls Rolled Up Or Removed



Side Walls Rolled Up And Front Wall Removed



TAKE DOWN

A. Taking Down And Storing The Room

i You do not need to completely remove the Screen Room fabric from the camper. After unstaking the Screen Room and removing the poles, make sure the fabric is neatly tucked into the camper as you fold down the camper walls, according to the manufacturer's instructions. Do not allow the fabric to become pinched between the camper walls or it may become damaged.

- To remove the Screen Room, reverse the steps in the Assembly section.
- Remove the mesh camper skirt and store in the stowage bag.
- Do not store your Screen Room or the mesh camper skirt if they are wet or damp.

LIMITED ONE-YEAR WARRANTY (AWNINGS)

THE SELLER NAMED BELOW MAKES THE FOLLOWING WARRANTY WITH RESPECT TO THE DOMETIC PRODUCT:

1. This warranty is made only to the first purchaser (herein after referred to as the "Original Purchaser") who acquires the product for his own use and is installed and operated within the continental United States and Canada.
2. This warranty will be in effect for one year on parts and freight and one year on labor from the date of purchase by the original purchaser. It is suggested that the original purchaser retain a copy of the dated bill of sale as evidence of the date of purchase.
3. This warranty covers labor and specified parts, which shall be free from defects in material and workmanship under normal use. This warranty does NOT cover conditions unrelated to the material and workmanship of the product. Such unrelated conditions include, but are not limited to: (a) damage not reported within 7 days of ownership; (b) failure or damage caused by storms, rain, water pooling, or any acts of God; (c) faulty installation and any damage resulting from such; (d) the need for normal maintenance and any damage resulting from the failure to provide such maintenance; (e) failure to follow Sellers instructions for use of this product; (f) any accident to or misuse of any part of this product and any alteration by anyone other than the Seller or its authorized representative; (g) damage or failure caused by installation of accessories not manufactured and marketed by the Seller; and (h) normal wear and product abuse.
4. The specified parts covered by this warranty are as follows: (a) Roller tube against rust, corrosion and extrusion defects; (b) Fabric free from quality defects (normal wear is not covered); (c) Torsion assemblies against extrusion defects or breakage; and (d) Hardware against extrusion defects.
5. It is suggested the original purchaser provide preventative maintenance on a yearly basis. The preventative maintenance suggested is: (a) assure proper winding of fabric; (b) cleaning of fabric; (c) inspect and lubricate cam lock lever, lift-lock assembly, and hardware slide areas. The cost of this preventative maintenance is the original purchaser's responsibility and should take about one hour.
6. In order to obtain the benefits of this warranty, the original purchaser must return the product which is found defective to the Seller named below or to a Dometic Authorized Service Center during the period that this warranty is in effect. The original purchaser is responsible for all charges incurred in delivery of the product to the Seller or Dometic Authorized Service Center, and in pick up after the warranty service has been completed. To obtain the location of the nearest Authorized Service Center, please call 1-800-544-4881.
7. Any item returned in the manner described in paragraph 6 will be examined by the Seller or the Authorized Dometic Service Center. If it is found that the returned item was defective in material and workmanship, the Seller or the Authorized Dometic Service Center will repair the product per the terms outlined in paragraph 4. **CONFIRM THE SERVICE AGENCY IS AN AUTHORIZED DOMETIC SERVICE CENTER. DO NOT PAY THE SERVICE AGENCY FOR WARRANTY REPAIRS. SUCH PAYMENTS WILL NOT BE REIMBURSED.**
8. The Seller does not authorize any person or company to create any warranty obligations or liability on their behalf. This warranty is not extended by the length of time which you are deprived of the use of the product. Repairs and replacement parts provided under the terms of this warranty shall carry only the non-expired portion of this warranty.
9. In no event shall either seller be liable for incidental or consequential damages. This includes any damage to another product or products resulting from such a defect. Some states do not allow the exclusion or limitation of incidental or consequential damages, so the above limitations may not apply.
10. Any implied warranty, including the implied warranty of merchantability and fitness for any purpose, is limited to the duration of this limited warranty. Some states do not allow limitations on how long an implied warranty can last, so the above limitation may not apply.
11. **THIS WARRANTY GIVES SPECIFIC LEGAL RIGHTS, YOU MAY ALSO HAVE OTHER RIGHTS WHICH VARY FROM STATE TO STATE.** No action to enforce this warranty shall be commenced later than ninety (90) days after the expiration of the warranty period. Claims must be submitted in writing to the Dometic Warranty Department for arbitration.
12. All products (except those specifically built for commercial use) are warranted only when installed on vehicles built to R.V.I.A. A119-2 and C.R.V.A. Z-240 Standards.
13. The Seller reserves the right to change the design of any product without notice and with no obligation to make corresponding changes in products previously manufactured.

Free Manuals Download Website

<http://myh66.com>

<http://usermanuals.us>

<http://www.somanuals.com>

<http://www.4manuals.cc>

<http://www.manual-lib.com>

<http://www.404manual.com>

<http://www.luxmanual.com>

<http://aubethermostatmanual.com>

Golf course search by state

<http://golfingnear.com>

Email search by domain

<http://emailbydomain.com>

Auto manuals search

<http://auto.somanuals.com>

TV manuals search

<http://tv.somanuals.com>