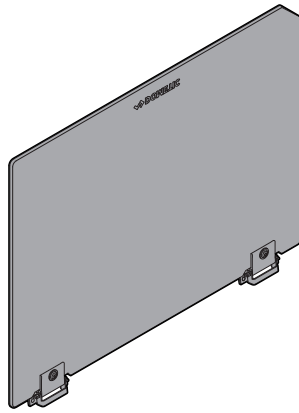


# ↗ DOMETIC

# HOT PRODUCTS

# COOKTOP



**Glass Cover**

EN

## **D21 Drop-In Cooktop Glass Cover**

Installation Manual

**WARNING: If the information in this manual is not followed exactly, a fire or explosion may result, causing property damage, personal injury, or death.**

– Do not store or use gasoline or other flammable vapors and liquids in the vicinity of this or any other appliance.

– **WHAT TO DO IF YOU SMELL GAS**

- Do not try to light any appliance.
- Do not touch any electrical switch.
- Do not use any phone in your recreational vehicle.
- Clear the recreational vehicle of all occupants.
- Turn off the gas supply tank valve(s) or main gas supply.
- Immediately call your gas supplier for instructions.
- If you cannot reach your gas supplier, call the fire department.

– Have the gas system checked and leakage source corrected by a qualified installer, service agency, manufacturer or dealer, or the gas supplier.

## NORTH AMERICAN ADDRESS INFORMATION

### USA & CANADA

Service Office  
Dometic Corporation  
1120 North Main Street  
Elkhart, IN 46514

### Service Center & Dealer Locations

Visit: [www.dometic.com](http://www.dometic.com)

**REVISION A** | Form No. 50275 09/17 | ©2017 Dometic Corporation



**Read these instructions carefully. These instructions must stay with this product.**

## CONTENTS

1	Explanation of symbols and safety instructions . . . . .	2
2	General information . . . . .	3
3	Intended use . . . . .	3
4	Installation . . . . .	4

## 1 EXPLANATION OF SYMBOLS AND SAFETY INSTRUCTIONS

This manual has safety information and instructions to help you eliminate or reduce the risk of accidents and injuries.



Have the installer or dealer show you where the main gas shut off valve is located so that you will know how and where to turn off the gas supply when necessary.

### 1.1 Recognize safety information



This is the safety alert symbol. It is used to alert you to potential physical injury hazards. Obey all safety messages that follow this symbol to avoid possible injury or death.

### 1.2 Understand signal words

A signal word will identify safety messages and property damage messages, and will indicate the degree or level of hazard seriousness.



**WARNING** indicates a hazardous situation that, if **not** avoided, could result in death or serious injury.



**CAUTION** indicates a hazardous situation that, if **not** avoided, could result in minor or moderate injury.



**NOTICE** is used to address practices **not** related to physical injury.



indicates additional information that is **not** related to physical injury.

### 1.3 Supplemental directives



Read and follow all safety information and instructions to avoid possible injury or death.

Read and understand these instructions before installation of this product.

Incorrect installation of this product can lead to serious injury.

The installation must comply with all applicable local or national codes, including the latest edition of the following standards:

#### U.S.A.

- ANSI/NFPA70, National Electrical Code (NEC)
- ANSI/NFPA 1192, Recreational Vehicles Code

#### Canada

- CSA C22.1, Parts I & II, Canadian Electrical Code
- CSA Z240 RV Series, Recreational Vehicles

### 1.4 General safety messages

**⚠ WARNING** Failure to obey the following warnings could result in death or serious injury:

- This product must be installed by a qualified service technician.
- When the cooktop is in use, the Cover must be fully open and in the upright position.
- The Cover must be closed when the vehicle is in motion.

**⚠ CAUTION** Do **not** use the Cover as a griddle or cooking surface. Doing so could result in property damage or injury.

## 2 GENERAL INFORMATION



Glass can be easily scratched. Use caution when setting items on the top of the Cover. Avoid sliding items across the Cover. Do **not** drop objects onto the Cover; this may cause breakage.

Included Parts	Quantity
Stainless Steel Nuts with Tooth Washers	4

Recommended Tools
Crescent Wrench

## 3 INTENDED USE

This Glass Cover (hereinafter referred to as "Cover") is designed to fit the Dometic D21 Cooktop. Use these instructions to ensure correct installation, function, and operation of the Cover. This Cover is **not** designed to work with any other cooktop.

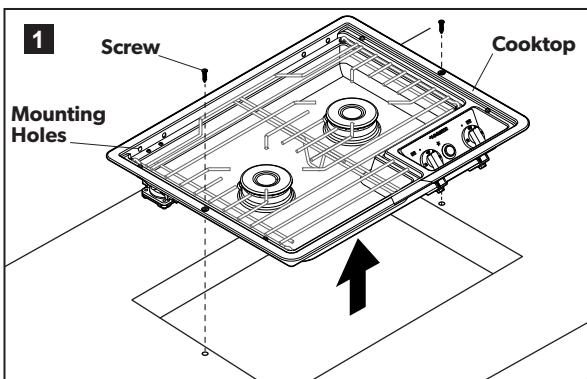
The manufacturer accepts no liability for damage in the following cases:

- Faulty assembly or connection.
- Damage to the product resulting from mechanical influences and excess voltage.
- Alterations to the product without express permission from the manufacturer.
- Use for purposes other than those described in the operating manual.

Dometic Corporation reserves the right to modify appearances and specifications without notice.

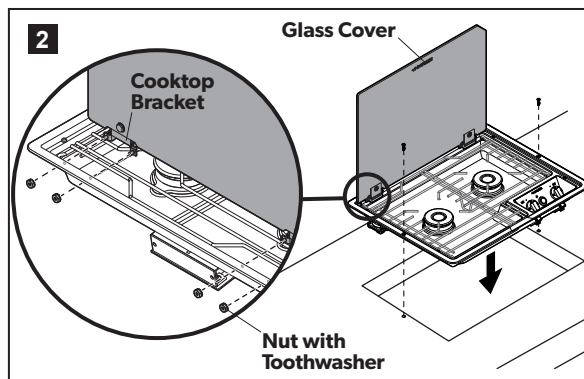
## 4 INSTALLATION

### 4.1 Preparing the cooktop



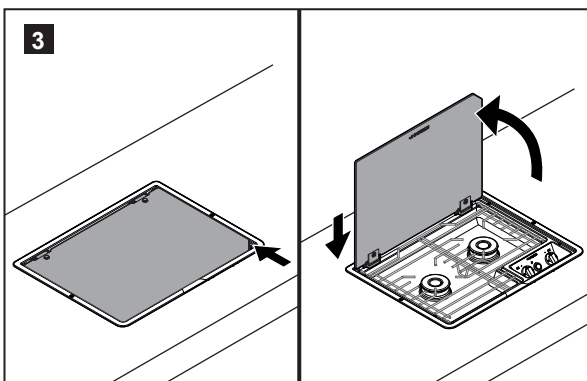
- Remove the two screws holding the cooktop into the counter.
- Raise the cooktop to expose the mounting holes for the Cover.

### 4.2 Attaching the cover



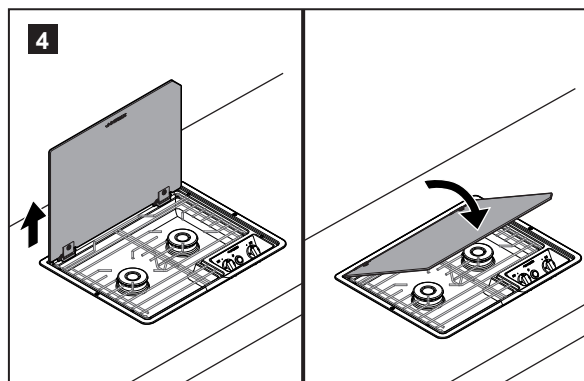
- Thread the nuts into the cooktop bracket as shown.
- Tighten the nuts, being careful **not** to overtighten and crack the glass.
- Lower the cooktop into the counter and reinstall the screws.

### 4.3 Opening the cover



- Lift the Cover from the center slot. Raise it completely, then drop the Cover down to lock into the back of the cooktop.
- Lift the Cover from the corner slot. Raise it completely, then drop the Cover down to rest on the back of the cooktop.

### 4.4 Closing the cover



- Lift the Cover up, then gently lower it down onto the cooktop.

## Free Manuals Download Website

<http://myh66.com>

<http://usermanuals.us>

<http://www.somanuals.com>

<http://www.4manuals.cc>

<http://www.manual-lib.com>

<http://www.404manual.com>

<http://www.luxmanual.com>

<http://aubethermostatmanual.com>

Golf course search by state

<http://golfingnear.com>

Email search by domain

<http://emailbydomain.com>

Auto manuals search

<http://auto.somanuals.com>

TV manuals search

<http://tv.somanuals.com>