

RTS Thermostat Installation instructions

Models

- RTS1:** Standard heating thermostat
RTS2: Heating thermostat with call for heat LED indicator
RTS3: Indoor frost thermostat
RTS4: Volt free heating/cooling change over switch
RTS9 & 10: Volt free heating/cooling changeover switch with call for heating LED indicator

IMPORTANT NOTE

RTS thermostats are ELECTRONIC with a relay output. Unless connected to a 230V mains supply the relay will not operate, no 'click' will be heard and the call for heat contact will remain open.

Location

Care should be taken to mount the thermostat in a position which is not subject to direct sunlight or draughts. Preferably it should be mounted on an inside wall about 1.5m (5ft) above the floor in a position where it can respond to room temperature but away from the direct influence of radiators or other appliances giving off heat.

Note: If the thermostat is to be used as a frost protection device it should be located in the coldest part of the premises.

Fixing

1. Loosen the securing screws, remove the wall-plate and, if surface wiring is to be used, snap out the cable entry strip on the bottom edge of the wall-plate with a pair of pliers.
2. Fix the wall-plate, terminals at the top, either direct onto a flat wall using wall plugs and No 6 x 1" woodscrews or on a flush mounting single conduit box using M 3.5 x 14 screws.
3. Complete the wiring to the wall-plate in accordance with the relevant diagram shown overleaf in accordance with I.E.E. regulations.

Note: The thermostat is for fixed wiring only and is double insulated, the earthing continuity (loop) terminal is only provided for convenience.

4. Plug the thermostat onto the wall-plate and tighten the securing screws.
5. Before switching on the mains **ENSURE THE CIRCUIT FUSE IS 3A.**

WARNING

Disconnect mains supply before fitting or removing from wall-plate.

A switch having contact separation of at least 3mm in all poles must be incorporated in the fixed wiring as a means of providing full disconnection of the mains supply.

Setting

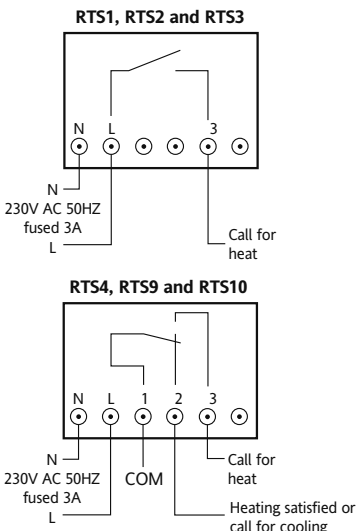
1. Set the desired room temperature on the control knob against the setting mark.
2. The setting range may be limited or a particular setting locked through the use of the mechanism to be found under the control knob.
3. To adjust the limiters firstly set the thermostat to the desired temperature and then carefully pull off the knob.
4. Lift and rotate the two limiting arms to re-position them in the required notches.
5. Replace the knob with the previously set temperature against the setting mark.

Technical data

Electrical supply:	230V ac 50Hz fused 3A
	Double insulated (no earth required)
Temp. range:	RTS1, 2, 4 & 9 10° to 30°C
	RTS3 (Frost) 3° to 10°C
	RTS10 14° to 30°C
Switch type:	RTS 1, 2 & 3 S.P.S.T 2(1)A 230V ac live output
	RTS4, 9 & 10 S.P.D.T 2(1)A 230V ac volt free
Temp. sensor:	Electronic

Wiring (schematic)

Note: It is essential to make a neutral connection to terminal N.



Note: Link between terminals L and 1 if mains voltage is required on the thermostat switch.

Information

The RTS room thermostat replaces earlier models of both ACL and Drayton room thermostats **subject to a maximum load of 2(1)A 230V ac**. The wiring conversion between these models is:

	ACL TS142	ACL TA350	Drayton Roomstat RT (E)	RTS 1,2 & 3	RTS 4, 9, & 10
Live supply	1	-	1	L	L
Neutral (accelerator heater)	4	-	4	N	N
Call for heat	2	3	2	3	3
Heating satisfied (call for cooling)	-	2	3	-	2
Volt free switch common	-	1	-	-	1
Earth connection	E	5	-	-	-

Conforms to the essential requirements of the following directives:

Relevant EU Directives

2014/35/EU Low Voltage Directive
2014/30/EU Electromagnetic
Compatibility Directive
2011/65/EU RoHS Directive

Applied Standards

EN60730-1, EN60730-2-9

Energy Class: I = 1%

(According to EU
811/2013, 812/2013,
813/2013, 814/2013)



Drayton

401 Southway Drive
Plymouth
PL6 6QT
United Kingdom

Room thermostats

Make	Model	Earth	Neutral	Live	Common	Demand	Satisfied
Drayton	RTS 1 & 2		N		L	3	
Drayton	RTS 4, 5, 9 & 10		N	L	1	3	2
Drayton	Digistat 1				1	3	2
ACL Lifestyle	PT271/371		N	L	1	3	2
ACL Lifestyle	TS 142	E	4		1	2	
ACL Lifestyle	TA 350	5			1	3	2
Drayton	Digistat (old version)		4		1	2	3
Drayton	RT & RTE		4		1	2	3
Danfoss Randall	TP1	E	N		L	1	2
Danfoss Randall	RT1, TP2, 3, 4 & 5				1	3	2
Danfoss Randall	RD3, RD3A		4		1	2	
Danfoss Randall	RTC, RTM, RSR	E	N		3	1	2
Danfoss Randall	R504		N		3	1	2
Honeywell	6060, 6061, 6063		2		1	3	4
Honeywell	CT200				A	B	C
Horstman	HRT 1	E	4		1	2	
Landis & Gyr	RAD 1	E			1	2	3
Potterton	PRT 1		N		L	H	
Potterton	PRT 2 & 100 ST		N		TL	H	
Potterton	PRT 100 DT		N		TL	H	C
Sunvic	TLX 2259	E	N		L	1	2
Sunvic	TLX 2356	E			3	1	2
Sopac	TA 350	E			1	3	2
Sopac	TA 351	E	4		1	3	2
Switchmaster	SRT 2	5			1	3	2
Tower	SS	E	4		1	2	

Free Manuals Download Website

<http://myh66.com>

<http://usermanuals.us>

<http://www.somanuals.com>

<http://www.4manuals.cc>

<http://www.manual-lib.com>

<http://www.404manual.com>

<http://www.luxmanual.com>

<http://aubethermostatmanual.com>

Golf course search by state

<http://golfingnear.com>

Email search by domain

<http://emailbydomain.com>

Auto manuals search

<http://auto.somanuals.com>

TV manuals search

<http://tv.somanuals.com>