

INUKTUN MICROTRAC™

Table of Contents

About This Manual	4
Description	4
Specifications	5
Load & Speed Specifications:	7
Basic Loading Specifications	7
Influences on Loading	8
Additional Payload	8
Inclines	8
Differential Steering	9
Curved Geometry	9
Elevated Temperature & Thermal Shutdown	10
Certification	11
Safety	11
System Setup	13
Track Mounting	13
Flange Adapter	15
Track Pinout & Supply Voltage	16
Maintenance	16
Scheduled Maintenance and Servicing	16
Daily	16
Overhaul	17
Cleaning The Microtracs™	17
Track Belt Removal and Replacement	18
Standard Length Tracks	18
Extended Tracks	21
Parts and Repairs	23
Ordering Parts/Customer Service	23
Warranty Repairs	24

Factory Returns to Canada..... 24

Product/System Drawing Package Availability 24

Limited Warranty Policy 25



About This Manual

This manual has been prepared to assist you in the operation and maintenance of your Eddyfi Technologies Inuktun equipment. Correct and prudent operation rests with the operator who must thoroughly understand the operation, maintenance, service and job requirements. The specifications and information in this manual are current at the time of printing.

This product is continually being updated and improved. Therefore, this manual is meant to explain and define the functionality of the product. Furthermore, schematics or pictorials and detailed functionality may differ slightly from what is described in this manual.

Eddyfi Technologies reserves the right to change and/or amend these specifications at any time without notice. Customers will be notified of any changes to their equipment.

Information in this manual does not necessarily replace specific regulations, codes, standards, or requirements of others such as government regulations.

This manual copyright © 2019 by Inuktun Services Ltd. All rights reserved.

Description

Inuktun Microtracs™ are small, self-contained tractor modules complete with their own electric motor and drive train. They are designed for harsh environments including confined spaces, underwater, radioactive areas, and in some harsh chemical solutions. Microtrac modules may be operated in pairs to make a steerable platform, or used in-line to fit in small spaces. Applications include storm and sewer pipe inspection, use with bomb disposal robots, industrial inspection, and custom vehicles for nuclear facility inspection and waste cleanup. Microtracs are made in three varieties: aluminum, brass or stainless steel. The choice of track material will depend on its end use. In all versions, the final drive power is delivered through a deep lug rubber track belt. The 4000 series track can be configured with a standard length or extended track belt, and each track can be configured for left-hand or right-hand operation.

Document: UMDB007595.docm	Revision: B10	Created by: KB	Date: 25 Sep 2019	3042830-B10
Source Location: C:\ePDM\ISLEng\products\db-microtracs4000>manuals\UMDB007595.docm				Page 4 of 25

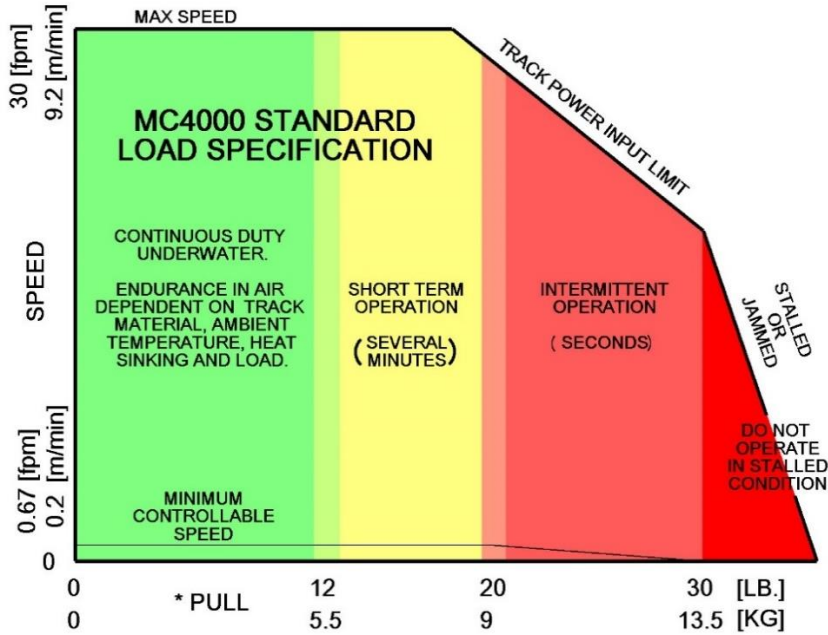
Specifications

Motor Options	Standard	24 VDC / 62:1	
		124:1 (12825/104) Total	
	High Torque	24 VDC / 157:1	
		314:1 (39366/125) Total	
Operating Voltage	Embedded	36 – 70 VDC	
	Direct Drive	0 – 24 VDC	
Operating Current	Embedded	1.7 A Peak	
	Direct Drive – Standard	2.0 A Peak	
	Direct Drive – High Torque	1.0 A Peak	
Maximum Speed	Standard	9 m/min (30 fpm)	
	High Torque	3.5 m/min (11.5 fpm)	
Pull Rating	See <i>Basic Load Specifications</i> below		
Payload	Up to 13.5 kg (30 lb)		
Operating Temp	-0 ° – 50 °C (32 ° – 120 °F) 80 °C (175 °F) Maximum Internal		
Duty Cycle	In Water	100%	
	In Air	Dependant upon load and heat sinking	
Communications	Embedded	RS-485 Inuktun Device Protocol	
Feedback	Embedded	Temperature, motor current, motor speed	
Depth Rating	Standard	150 m (500 ft) (Standard)	
	Deep Water	300 m (1000 ft) (Deep Water)	
Weight	Standard Length	Aluminum	1.1 kg (2.3 lb)
		Brass	2.2 kg (4.9 lb)
		Stainless Steel	2.1 kg (4.7 lb)
	Extended Length	Aluminum	1.2 kg (2.6 lb)
		Brass	2.4 kg (5.3 lb)
		Stainless Steel	2.3 kg (5.1 lb)
Lubrication	Molykote G-1502 FM Food Safe Grease		
Motor Encoder	Standard	10-Bit Incremental	
	Optional	10-Bit Quadrature	

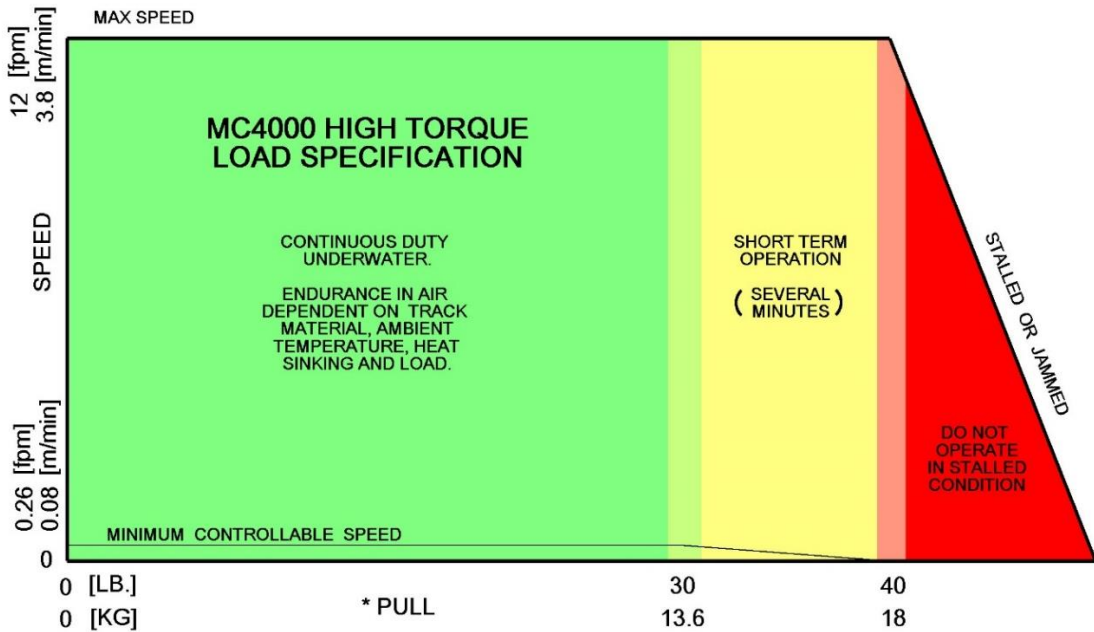
Connector Pin-Out	Embedded	4-Pin	1 – Power + 2 – Gnd - 3 – RS485A 4 – RS485B
	Direct Drive	6-Pin	1 – Motor + 2 – Motor - 3 – Encoder A 4 – Encoder B 5 – +5V 6 – GND

Load & Speed Specifications:

Basic Loading Specifications



* Operating with rated 30 lb. payload, driving straight on a level surface.



* Operating with rated 30 lb. payload, driving straight on a level surface.

The above diagram details the speed and loading specifications of the standard and high-torque Microtracs™. There are four regions defining performance:

- **Continuous Duty:** Preferred operating region.
- **Short Term Operation:** Operation permitted for several minutes.
- **Intermittent:** Surge loading allowable for a few seconds at a time.
- **Stalled / Jammed Condition:** Automatic limiting is engaged to protect the motor and gearing. Do not operate the track in the stalled or jammed condition.

Influences on Loading

For a typical tracked vehicle there are multiple factors that can increase load and diminish track performance. These include the following and are detailed below:

- Additional Payload
- Inclines
- Effects of Differential Steering (skid steering with parallel tracks)
- Curved Geometry of a pipe
- Elevated Temperature / Poor Heat Sinking / Thermal Shut-Down

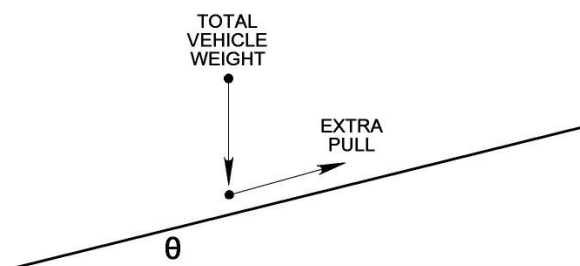
Additional Payload

Additional Payload may be added to the track, but the expected pull performance must be de-rated as per the calculation below. Additional payload also affects differential steering, inclines and curved pipe geometry (see below).

$$\text{Pull Reduction} = 0.25 \times \text{Extra Weight}$$

Inclines

Inclines cause the track to lift the vehicle weight against gravity and increase the track pulling load. Calculate the incline load using the equation below. Magnetic downforce does not affect loading from inclines — only forces from gravity. Note that the constant load from gravity becomes a significant factor on vertical surfaces because the motor is working to resist the load even when the track is stopped.



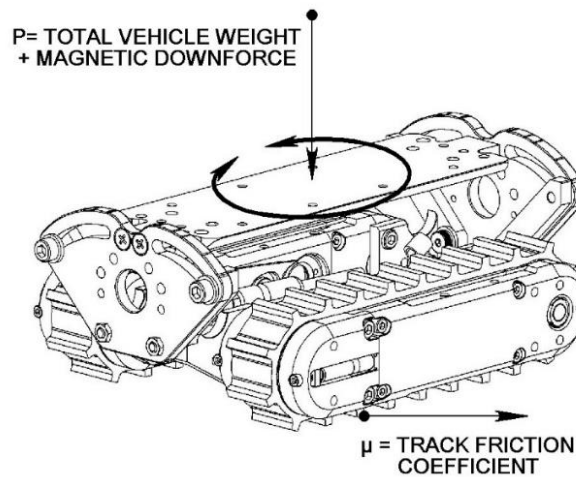
$$\text{EXTRA PULL} = (\text{TOTAL VEHICLE WEIGHT}) \times \text{SIN}(\theta)$$

Additional pull required to climb an inclined pipe, pole or rope.

Document: UMDB007595.docm	Revision: B10	Created by: KB	Date: 25 Sep 2019	3042830-B10
Source Location: C:\ePDM\ISLEng\products\db-microtracs4000\manuals\UMDB007595.docm				Page 8 of 25

Differential Steering

Differential Steering means steering by varying the speed of two tracks such as with a tank or bulldozer. During the steering process the tracks are dragged sideways in addition to forward / backward movement. The sideways movement adds to the total track load and requires extra torque from the motor. The greatest increase in loading occurs during a spot turn; the load being calculated as per the equation below. A typical 30 lb magnetic VT100 with 30 lb of down-force on a surface with friction coefficient $\mu = 0.5$ will experience an additional 18 lb load per track to execute the spot turn. When steering on a vertical surface include only the magnetic down-force for the differential steering load calculation.

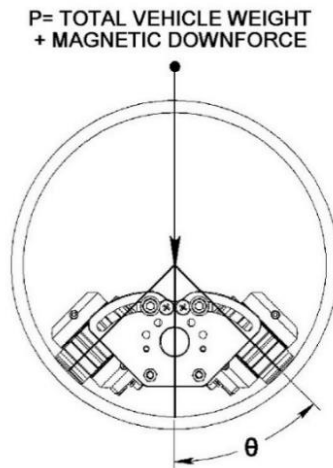


**Additional Load On Each Track
For Differential Steering = $0.6 \times \mu \times P$**

Curved Geometry

Curved Geometry inside a pipe will increase the payload on a track depending on the angle of contact with the pipe. For nearly flat tracks the increase is small. For a contact angle of 60° , the load is doubled. The same calculation is used for a track contacting the outside of a pipe. Include both vehicle weight and magnetic downforce for this calculation.

Document: UMDB007595.docm	Revision: B10	Created by: KB	Date: 25 Sep 2019	3042830-B10
Source Location: C:\ePDM\ISLEng\products\db-microtracs4000>manuals\UMDB007595.docm				Page 9 of 25



$$\text{Load on each track} = P / (2 \times \cos \theta)$$

Elevated Temperature & Thermal Shutdown

'Duty Cycle' refers to the length of time a track can run before overheating, and the following time required to cool down. The duty cycle of the MC4000™ track depends on:

- Track Material Thermal Conductivity (Aluminum, Brass = Good; Stainless = Poor)
- Ambient Temperature
- Track Load & Speed
- Wet / Dry Operation
- Heat Sinking

A track typically converts about 25% of the electrical input into motive mechanical power with the remainder being converted into waste heat transferred to the environment outside the track. When run continually at maximum power in a warm environment - up to 50 °C (120 °F), the tracks can heat up to the maximum temperature within ½-hour. However, this does not represent normal operation. Typical usage will include much starting and stopping for visual/NDT inspections and moderate loading for most of a pipe run for pulling tether – so reaching the thermal limit of the track is not expected to be a common operational concern. When tracks are bolted to a chassis, it further acts as a heat sink to help cool the tracks.

When a tracks internal temperature reaches 80 °C (175 °F) it will automatically shut down and wait until its internal temperature drops below 70 °C (160 °F) before restarting. If the tracks are operating underwater, such as in a flooded pipe, heat transfer is excellent, and the duty cycle may be considered continuous.



Note: Stainless steel tracks will require special consideration for cooling, as they reach thermal shutdown sooner due to the extremely poor thermal conductivity of the stainless steel itself.

Certification

The product is built in accordance with:

Machinery Directive 2006/42/EC, and

Electromagnetic Compatibility Directive 2004/108/EC and Directive 2014/30/EU



Safety

In order to be able to use this product properly and safely, every user must first read these operating instructions and observe the safety instructions contained therein. Take care of these operating instructions and keep them in a place where they can be accessed by everyone.



CAUTION: Failure to follow these safety instructions may result in injury or equipment damage.



CAUTION: Disconnecting the track while the power is on can cause damage to the track. Disconnect the power source before servicing the product.



CAUTION: High Temperature! Under rated operating conditions this track can become very hot, up to 80 °C (175 °F).



WARNING: Spark Hazard - Under no circumstances should this equipment be used in a potentially explosive atmosphere.

- The Microtrac™ - 4000 Series is an industrial product. All personnel operating or maintaining this equipment must be competently trained.
- There are no user serviceable parts inside. This product may be serviced only by qualified technicians or trained personnel.
- Eddyfi equipment is used in many varied environments from hot/dry to confined spaces to deep underwater. Such diverse environment risks must be addressed by the operators who are trained to work in such surroundings. As such, the operator is responsible to determine safe site setup and appropriate procedures for operation and maintenance of the equipment.

- Appropriate personal protective equipment (PPE) must be worn while operating and maintaining the equipment.
- Do not use the product or any component exposed to pressures higher than the rated working pressure.

In addition, observe the following precautions when cleaning or servicing the Microtrac™ - 4000 Series:

- Do not operate the track with a damaged connector or cable. Inspect connectors and cables regularly for damage.
- Avoid creating a pinching hazard when designing a vehicle based on these tracks.
- Lay the track on its side if you are powering it up on the workbench.
- DC-Controlled tracks (without internal driver) must be protected by current limiting either by fuse or electronically by the power supply. Current limiting and fuses are included standard with Inuktun system controllers.

Call the Eddyfi Technologies Service department for assistance or service if needed.

Document: UMDB007595.docm	Revision: B10	Created by: KB	Date: 25 Sep 2019	3042830-B10
Source Location: C:\ePDM\ISLEng\products\db-microtracs4000>manuals\UMDB007595.docm				Page 12 of 25

System Setup

Track Mounting

Microtracs™ are provided with a variety of mounting locations on the sides, top and bottom. Use of any three mounting holes is enough to support the rated load. When using the side flange holes, make sure the screws do not protrude beyond the flange and into the track belt. Mounting holes are also provided on the sides of the Microtracs for in-line or chassis side-wall mounting. Note that hole depths can be different depending on the position. All holes are tapped M5. Mounting hole locations are shown below for standard and extended tracks.

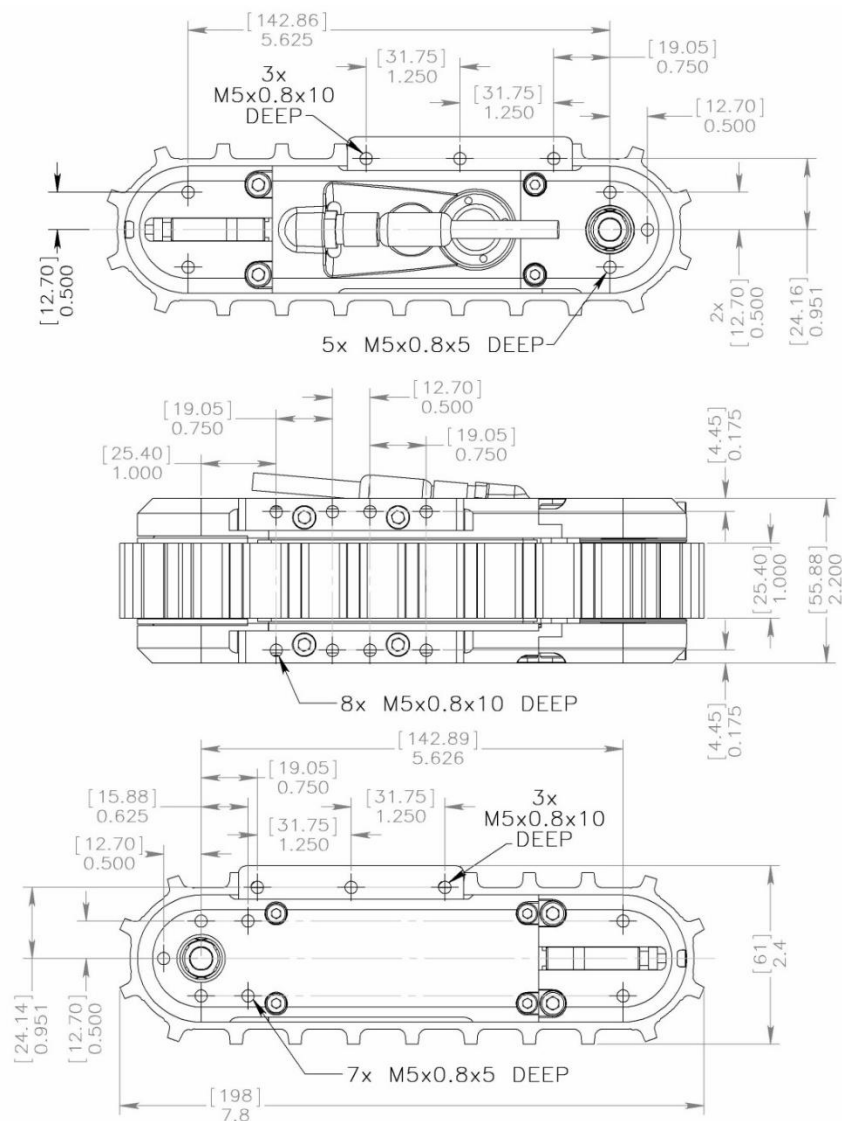


FIGURE 1: MICROTRAC 4000 STANDARD LENGTH TRACK MOUNTING HOLES

Document: UMDB007595.docm	Revision: B10	Created by: KB	Date: 25 Sep 2019	3042830-B10
Source Location: C:\ePDM\ISLEng\products\db-microtracs4000>manuals\UMDB007595.docm				Page 13 of 25

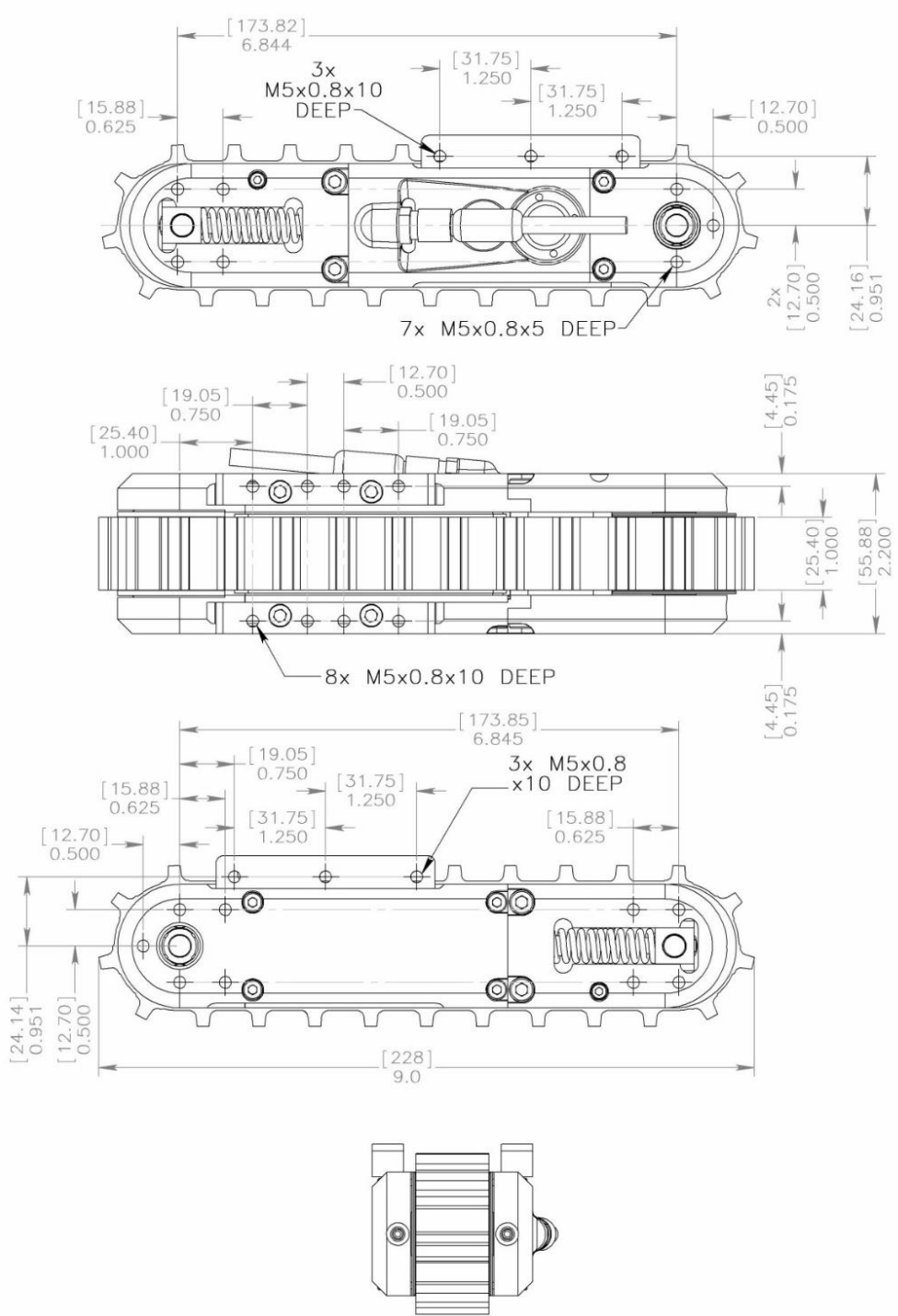


FIGURE 2: MICROTRAC™ 4000 EXTENDED LENGTH TRACK MOUNTING HOLES

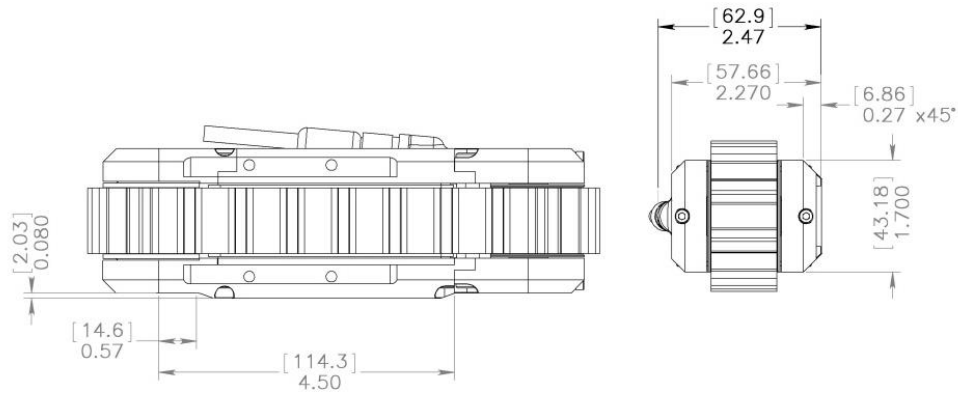


FIGURE 3: MICROTRAC™ 4000 HIGH PRESSURE 300M BUMP-OUT DIMENSIONS. MOUNTING HOLES ARE IDENTICAL TO THE STANDARD TRACK ABOVE.

Flange Adapter

Flange adapters come standard with the 4000-series Microtrac for mounting to chassis plates or legacy systems. Tracks can be configured for left or right-hand operation depending on which side the flanges are mounted – top or bottom. Flanges may also be ordered with Imperial threads for non-metric installations.

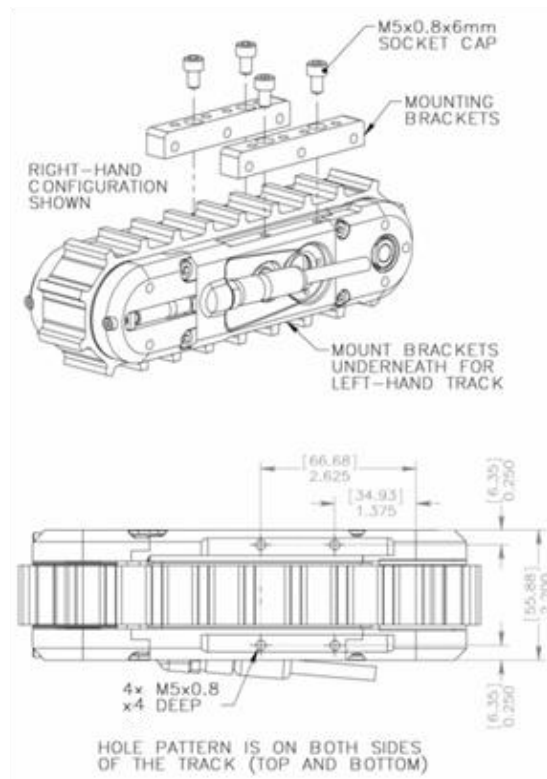


FIGURE 4: AVAILABLE MICROTRAC™ FLANGE ADAPTER

Document: UMDB007595.docm	Revision: B10	Created by: KB	Date: 25 Sep 2019	3042830-B10
Source Location: C:\ePDM\ISLEng\products\db-microtracs4000\manuals\UMDB007595.docm				Page 15 of 25

Track Pinout & Supply Voltage

The 4000-Series Microtrac™ connects to power and communications through an IMPULSE IE-55 connector.

Note: Pin-out is shown for the Bulkhead Connector on the track.

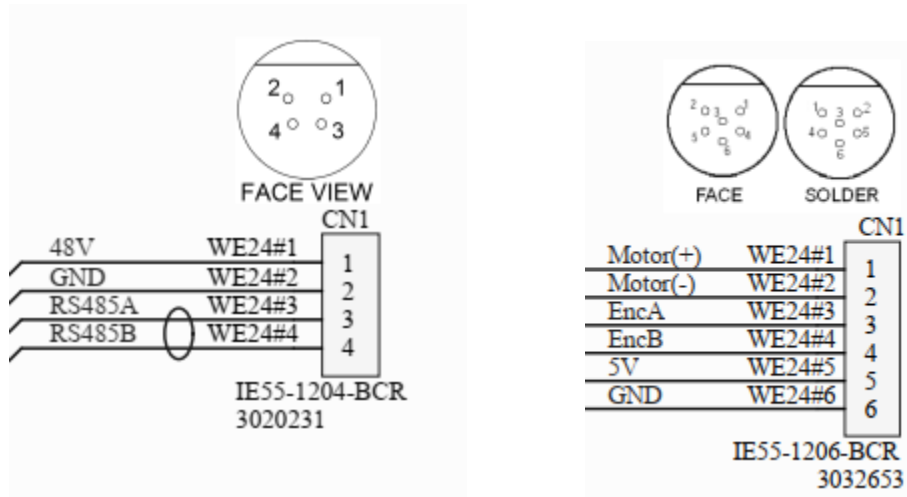


FIGURE 5: 4-PIN (EMBEDDED)

6-PIN (DIRECT DRIVE)



- Warning: Track Voltage Input** – Older versions of Microtracs were supplied in two different voltage ranges: 36-48 VDC, and 30-70 VDC. Verify your tracks have the correct voltage input range for your system. 48 VDC rated tracks will be damaged if connected to a 70 VDC system. Wide input tracks are designated by a \V/ symbol on the side plate.

Maintenance
Scheduled Maintenance and Servicing

Microtrac crawlers are designed to provide reliable service accompanied by a minimum downtime for maintenance. The frequency of maintenance and/or repairs will be largely dictated by the type of use and the environments the units are subjected to. Eddyfi recommends the following maintenance procedures in addition to normal equipment operational inspections.

Daily

Daily or before each use of the Microtrac units:

- Tracks with Spring Tensioners** - Check that the belt tensioning springs are freely moving. This can be done by pulling up on the edge of the track belt with your thumb – the belt should have a

Document: UMDB007595.docm	Revision: B10	Created by: KB	Date: 25 Sep 2019	3042830-B10
Source Location: C:\ePDM\ISLEng\products\db-microtracs4000>manuals\UMDB007595.docm				Page 16 of 25

small amount of give. If the springs are bottomed out, the material under the belt must be removed before deployment to avoid damage and to attain best performance.

Tracks with Manual Belt Tensioners – Check that the tensioning screws have not slackened. Belt should be taut but manual deflection with normal hand force should be possible. If the belts feel too tight, check for debris or build-up underneath the belts and remove if present. Do not overtighten belts or performance could be degraded, and damage could occur.

2. Visually inspect the Microtrac™ and track belt for damage; if the track belt is torn or stretched it should be replaced.
3. Ensure that all fasteners are in place and secure.

Weekly

1. *Tracks with Spring Tensioners* - In addition to the daily check, examine the condition of the tension springs at least once per week. Worn or corroded springs may weaken and cause low belt tension and idler wheel misalignment.
2. Verify by visual inspection that there are no traces of grease near or on the sides of the drive wheel and the track belt. This would indicate that the grease seals may have been damaged by debris or have become worn by abrasion.
3. If necessary, remove the belt and thoroughly clean the track.

Overhaul

Eddyfi recommends that the Microtracs be thoroughly serviced once a year or after 600 hours of operation. This includes complete disassembly, cleaning and inspection of the Microtrac components with focus on the drivetrain, bearings, output shaft and seals. At this time the track is re-lubricated.

For extended service and maximum reliability of your Microtracs, Eddyfi offers a factory overhaul. The factory overhaul constitutes an investment by the equipment owner in preventative maintenance. As such, the overhaul should be considered discretionary. In the overhaul, the track unit is completely disassembled. All internal components including the motor, driver, bevel gears, bearings, and seals are inspected and replaced where necessary.

Cleaning The Microtracs™

To maintain top performance of the Microtrac units, it is important to prevent excessive buildup of dirt under the track belt. A buildup will increase the belt tension, causing the track to lose speed and pulling ability. Ultimately excessive tension may stretch and ruin the track belt.

For general cleaning of the Microtracs, wash with mild detergent and a soft brush. **Do not use solvents.** The tracks may be sprayed off using regular water line pressure. Do not use pressure washing equipment. It is usually necessary to remove the track belt for proper cleaning.

Document: UMDB007595.docm	Revision: B10	Created by: KB	Date: 25 Sep 2019	3042830-B10
Source Location: C:\ePDM\ISLEng\products\db-microtracs4000>manuals\UMDB007595.docm				Page 17 of 25

If it is necessary to apply aggressive cleaning fluids, consult the factory before use. Clean away any dirt, grit or build-up near joints or moving parts. Also clean the drive wheel teeth, wear strip and idler wheels.



IMPORTANT: Do not pressure wash, or steam clean the equipment. Pressure washing may force water into the Microtracs™, and excessive heat may cause permanent seal damage.

Track Belt Removal and Replacement

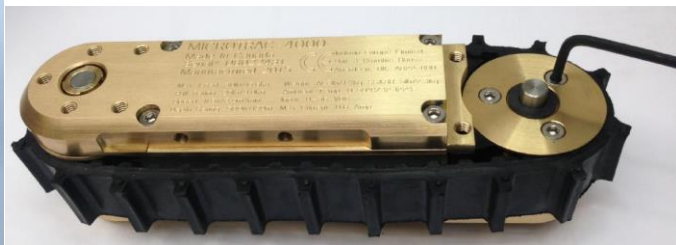
Standard Length Tracks

Microtrac 4000 belt replacement has been made easy by a spring tensioning system (except for manual option) that automatically aligns and tensions the track belt. Procedures vary between the standard-length and extended-length track as detailed below.

Standard Length Track



1. **Standard Track:** Remove the mounting flange from the label side of the track.
2. **Standard Track:** Release the belt tension. Notice the tensioning spring is compressed by a captured nut. Turn the tensioning screws (counter clock-wise) until all the spring tension is released and both nuts are resting against the housing shoulder. The tensioning screws do not need to be fully removed - leave them in place. *Procedure is the same for the manual tensioning option.*





- Standard Track:** Remove the front side plate as shown, exposing the three screws on the front idler wheel. Remove the three screws and the idler wheel flange.



- Standard Track:** The belt can now be lifted from the track. The track is now ready for cleaning or installation of a new belt.



- Standard Track:** When replacing the belt ensure the drive wheel lugs are engaged with the belt before slipping the belt back over the idler wheel.

Document: UMDB007595.docm	Revision: B10	Created by: KB	Date: 25 Sep 2019	3042830-B10
Source Location: C:\ePDM\ISLEng\products\db-microtracs4000>manuals\UMDB007595.docm				Page 19 of 25



6. **Standard Track:** Replace the idler wheel flange and side plate.



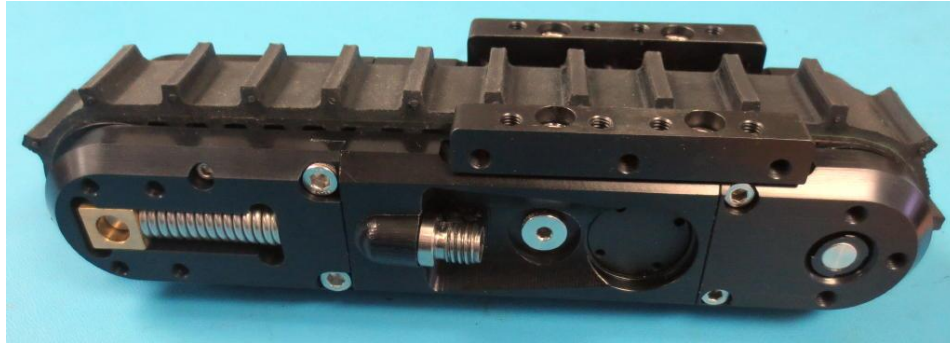
7. **Standard Track:** Tension the belt by turning the tensioning screws clockwise until the captured nuts bottom out in their groove. They will be in position as shown below. Again – the tensioning screws stay in place.

Manual tensioning option is identical except that belt tension is set by screw depth – adjust the tensioning screws until the belt is tensioned. Belt should be taut but still allow some deflection.

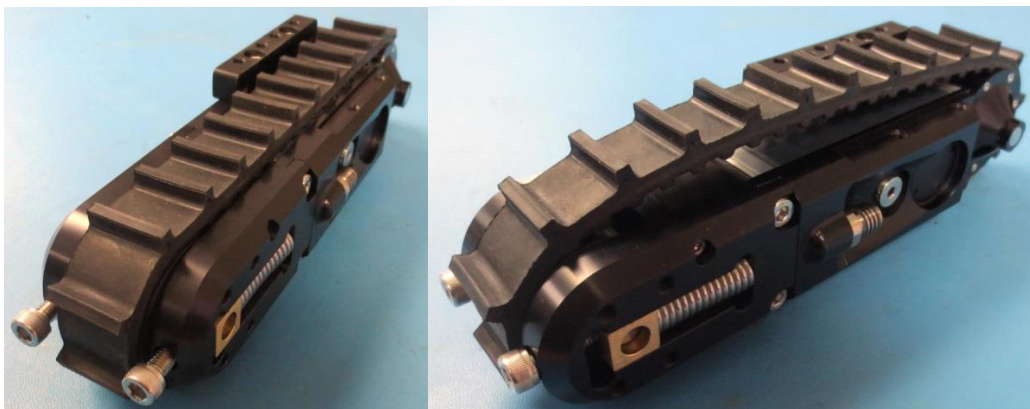


Document: UMDB007595.docm	Revision: B10	Created by: KB	Date: 25 Sep 2019	3042830-B10
Source Location: C:\ePDM\ISLEng\products\db-microtracs4000>manuals\UMDB007595.docm				Page 20 of 25

Extended Tracks



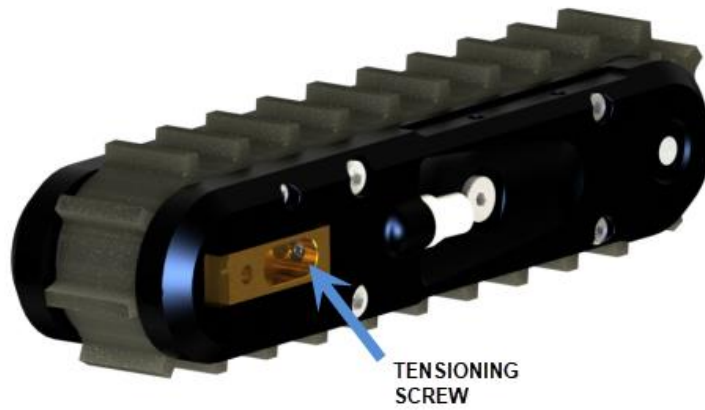
1. **Extended Track:** Remove the drive wheel cover and mounting flange on the side shown. The opposite mounting flange can remain in place.



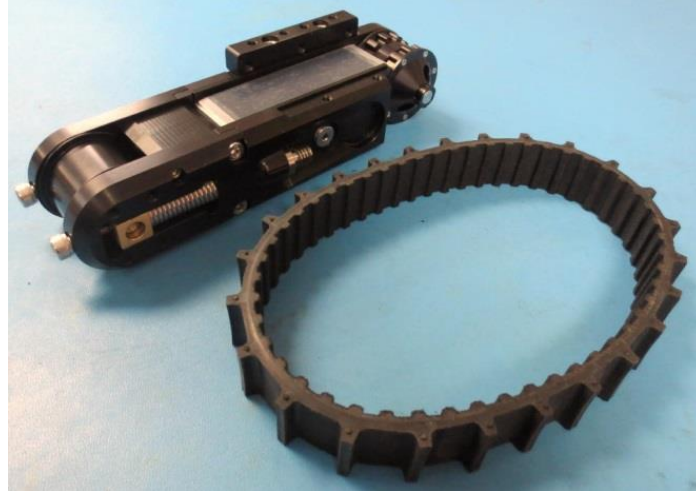
2. **Extended Track:** Compress the tensioning springs using M6 x 16 or longer jack screws.

For belt replacement: The jack screws are fully removed from the track when the belt is replaced.

Document: UMDB007595.docm	Revision: B10	Created by: KB	Date: 25 Sep 2019	3042830-B10
Source Location: C:\ePDM\ISLEng\products\db-microtracs4000>manuals\UMDB007595.docm				Page 21 of 25



3. **Extended Track – Manual Tension:** Thread the tensioning screws on both sides of the track into the main housing (CW) to release the belt tension.



4. **Extended Track:** Pull the belt off the track from the rear wheel first. The track is now ready for cleaning or installation of a new belt.

Document: UMDB007595.docm	Revision: B10	Created by: KB	Date: 25 Sep 2019	3042830-B10
Source Location: C:\ePDM\ISLEng\products\db-microtracs4000>manuals\UMDB007595.docm				Page 22 of 25

Parts and Repairs

Ordering Parts/Customer Service

Spare and/or replacement parts are available for your product and can be ordered directly from your local office.

When ordering parts always make sure to quote the sales order acknowledgement (SOA) number and/or the serial number of the system component in question.

Inuktun Services Ltd. (Canadian Headquarters and Manufacturing Location)

2569 Kenworth Road, Suite C

Nanaimo, BC, V9T 3M4

CANADA

TF 1.877.468.5886

T +1.250.729.8080

info@eddyfi.com

www.eddyfitechnologies.com

Eddyfi Technologies – US (American Authorized Distributor and Service Centre)

812 W 13th Street

Deer Park, TX, 77536

USA

T +1.281.542.3292

info@eddyfi.com

www.eddyfitechnologies.com

Document: UMDB007595.docm	Revision: B10	Created by: KB	Date: 25 Sep 2019	3042830-B10
Source Location: C:\ePDM\ISLEng\products\db-microtracs4000\manuals\UMDB007595.docm				Page 23 of 25

Warranty Repairs

Warranty conditions are specified in the Warranty section. Should any conditions of the manufacturer's warranty be breached, the warranty may be considered void. All returned items must be sent prepaid to Eddyfi Technologies at the above address.

Factory Returns to Canada

Some sub-assemblies of your Eddyfi Technologies product are not field-serviceable and may need to return to the factory for repair. Warranty claims must return to the factory for evaluation.

To return an item for evaluation or repair, first contact Eddyfi Technologies at our toll-free number or e-mail address. Eddyfi Technologies will supply a Return Merchandise Authorization (RMA) number with detailed shipping and customs instructions. Items shipped without an RMA number will be held at Eddyfi Technologies until the correct paperwork is completed. If cross-border shipments are not labelled as per the instructions, the items may be held by customs and issued additional fees.

All returned items must be sent prepaid unless other specific arrangements have been made.

When the product or system is being shipped anywhere by courier or shipping company, it must be packaged in the original packaging it was received in. This measure greatly reduces the consequences of rough handling and subsequent shipping damage.

Eddyfi Technologies cannot be held responsible for damages due to improper packaging. Shipping damage may have significant impact on repair turnaround times.

Product/System Drawing Package Availability

Mechanical assembly and electrical wiring diagram drawing packages for your equipment are available in PDF format upon request. Printed copies may also be purchased from Eddyfi Technologies. Contact your local sales contact for more information.

Document: UMDB007595.docm	Revision: B10	Created by: KB	Date: 25 Sep 2019	3042830-B10
Source Location: C:\ePDM\ISLEng\products\db-microtracs4000\manuals\UMDB007595.docm				Page 24 of 25

Limited Warranty Policy

Eddyfi Technologies will repair or replace, at its expense and at its option, any system or component, subject to the limitations and / or exclusions specified herein, which in normal use has proven to be defective in workmanship or material provided that, within one (1) year of the purchase date, the original purchaser returns the product prepaid, accompanied by proof of purchase, from a sales agent authorized by Eddyfi Technologies, and provides Eddyfi Technologies with reasonable opportunity to verify the alleged defect by inspection.

Warranty Limitations and/or Exclusions:

1. This warranty does not apply to light bulbs.
2. Batteries, fuses, transistors, integrated circuit modules (IC's), voltage regulating devices and electrical plugs and / or connectors are warranted to be free from defects in material and workmanship for a period of ninety (90) days from the date of shipment to the original purchaser.
3. Any article purchased from, but not manufactured by, Eddyfi Technologies is sold with only such warranties as are made by the manufacturer therein. Eddyfi Technologies only warrants that it has title thereto, free of all liens or encumbrances.
4. This warranty does not apply to units which are damaged by connection to improperly wired AC receptacles.
5. Track belts, tethers, view ports and other components subject to wear through abrasion are warranted to be free from defects in material and workmanship for a period of ninety (90) days from the date of shipment to the original purchaser.
6. Any damage caused by failure to observe proper packing or to observe instructions for operation and maintenance as contained in the Instruction Manual furnished with the equipment, by accident in transit or elsewhere, will not be covered by the warranty.
7. Repairs are warranted for 90 days.

Eddyfi Technologies may require that certain components may be returned, prepaid, to a manufacturer's authorized station for inspection and repair or replacement.

Eddyfi Technologies will not be responsible for any asserted defect which has resulted from Acts of God, normal wear, misuse, abuse, improper configuration, repair, or alteration made, or specifically authorized by, anyone other than a representative of Eddyfi Technologies authorized to do so. The giving of, or failure to give, any advice or recommendation by Eddyfi Technologies shall not constitute any warranty by, or impose any liability on, Eddyfi Technologies.

The foregoing constitutes the sole and exclusive remedy of the purchaser and the exclusive liability of Eddyfi Technologies and is in lieu of any and all other warranties, express, implied or statutory as to merchantability, fitness for purpose sold, description, quality productiveness, or any other matter. Under no circumstances shall Eddyfi Technologies be liable for special, incidental or consequential damages, or for delay in performance of this warranty.

Document: UMDB007595.docm	Revision: B10	Created by: KB	Date: 25 Sep 2019	3042830-B10
Source Location: C:\ePDM\ISLEng\products\db-microtracs4000\manuals\UMDB007595.docm				Page 25 of 25

Free Manuals Download Website

<http://myh66.com>

<http://usermanuals.us>

<http://www.somanuals.com>

<http://www.4manuals.cc>

<http://www.manual-lib.com>

<http://www.404manual.com>

<http://www.luxmanual.com>

<http://aubethermostatmanual.com>

Golf course search by state

<http://golfingnear.com>

Email search by domain

<http://emailbydomain.com>

Auto manuals search

<http://auto.somanuals.com>

TV manuals search

<http://tv.somanuals.com>