

SLIDERPLUS PRO V5

USER'S MANUAL

Before operating your edelkrone,
please watch the user's manual video from the link below

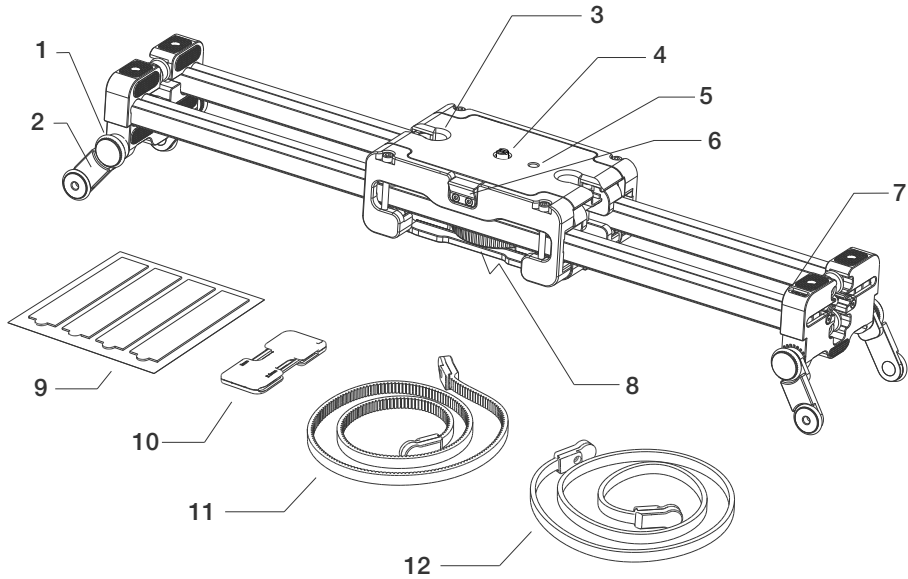
<http://edel.kr/sld5>



TABLE OF CONTENTS

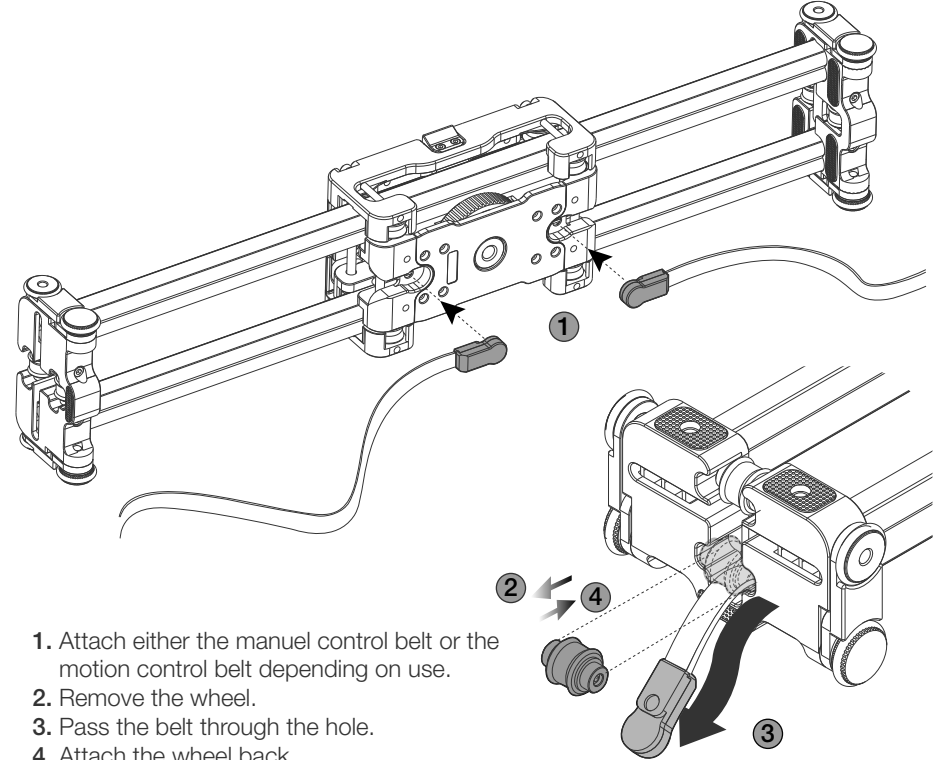
1. WHAT'S IN THE BOX & THE BASICS
2. ATTACHING THE BELTS & TENSION ADJUSTMENT
3. ATTACHING THE BELTS & TENSION ADJUSTMENT
4. LEGS & ANGLE ADJUSTMENT
5. MOUNTING SLIDERPLUS ON TRIPOD
6. MOUNTING YOUR CAMERA ON SLIDERPLUS
7. MOUNTING YOUR MAGIC ARM ON SLIDERPLUS
8. INCLINED MOTION
9. CLEANING KIT
10. CAUTIONS AND TIPS

1. WHAT'S IN THE BOX & THE BASICS




1. Rubber feet
2. Built-in foldable legs
3. Magnetic belt clip slot
4. 3/8"-16 pop-up screw
5. 1/4" mounting port
6. Instant locking mechanism
7. Incline
8. Mounting wheel for 3/8"-16 mounting port
9. Cleaning kit (x3)
10. 2.5mm-3mm allen keys
11. Motion control belt (x2)
12. Manual control belt (x2)

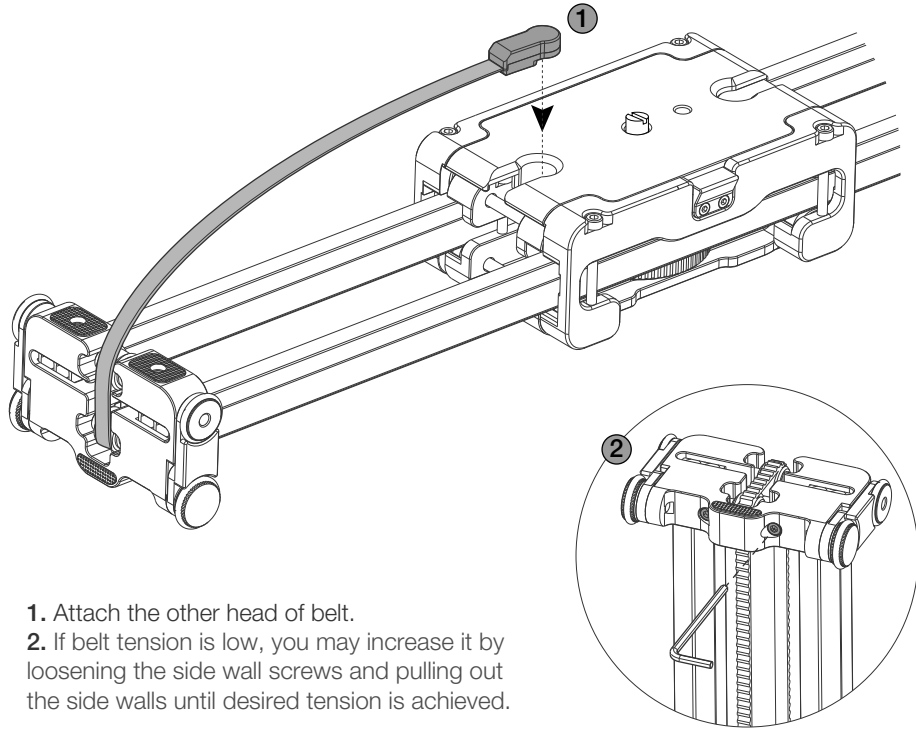
2. ATTACHING THE BELTS & TENSION ADJUSTMENT



1. Attach either the manual control belt or the motion control belt depending on use.
2. Remove the wheel.
3. Pass the belt through the hole.
4. Attach the wheel back.

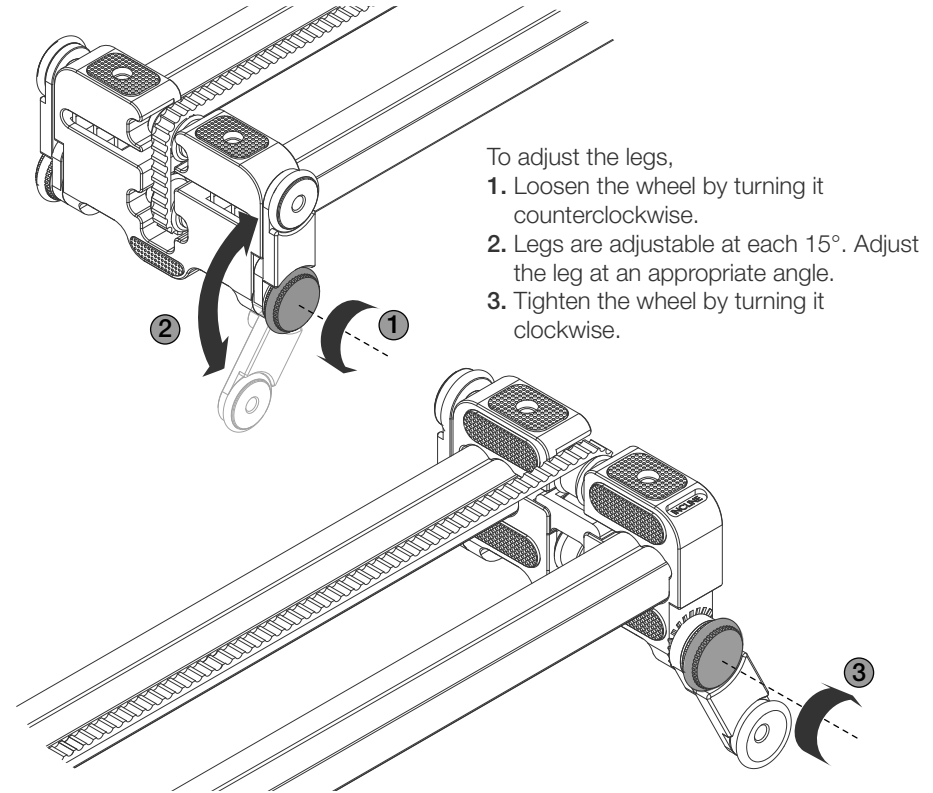
 A detailed video explaining how to attach the belts details can be found at: <http://edel.kr/sld5>

3. ATTACHING THE BELTS & TENSION ADJUSTMENT



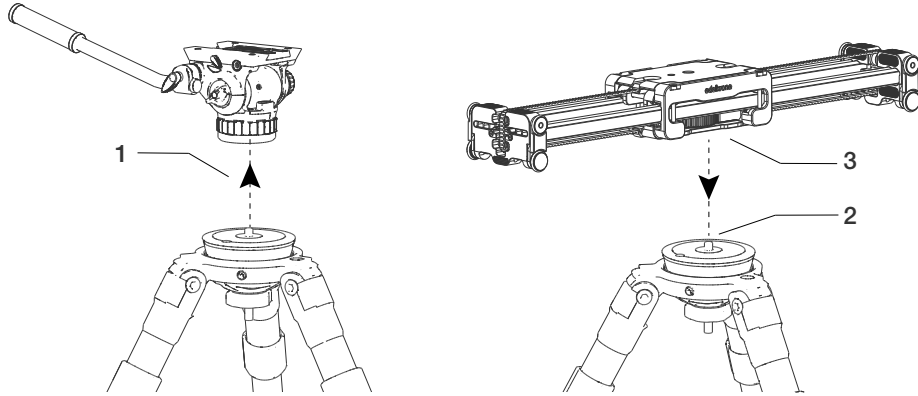
A detailed video explaining how to attach the belts details can be found at:
<http://edel.kr/sld5>

4. LEG & ANGLE ADJUSTMENT



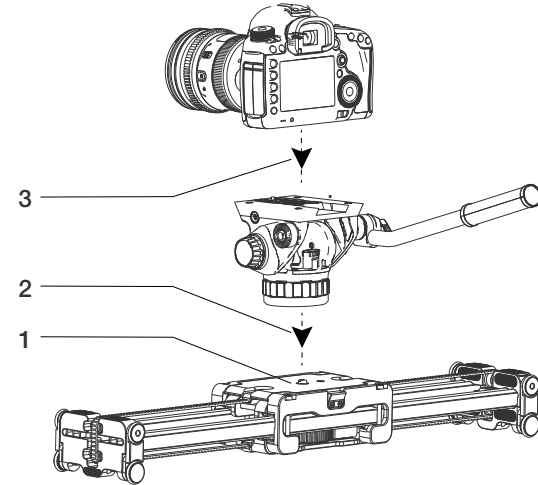
A detailed video explaining how to leg adjustment details can be found at:
<http://edel.kr/sld5>

5. MOUNTING YOUR SLIDERPLUS TO YOUR TRIPOD



1. Detach tripod head from your tripod.
2. Place your SliderPLUS onto your tripod's 3/8"-16 mounting screw.
3. Mount using the mounting wheel.

6. MOUNTING YOUR CAMERA TO YOUR SLIDERPLUS



1. SliderPLUS has 3/8"-16 screw for your tripod head hidden inside. You can access this screw with the help of a coin. Using a coin, turn the screw until it pops out. To hide the screw back again just press it down and turn it counter clockwise.
2. Place your tripod head on the screw and tighten clockwise.
3. Attach your camera to your tripod head.

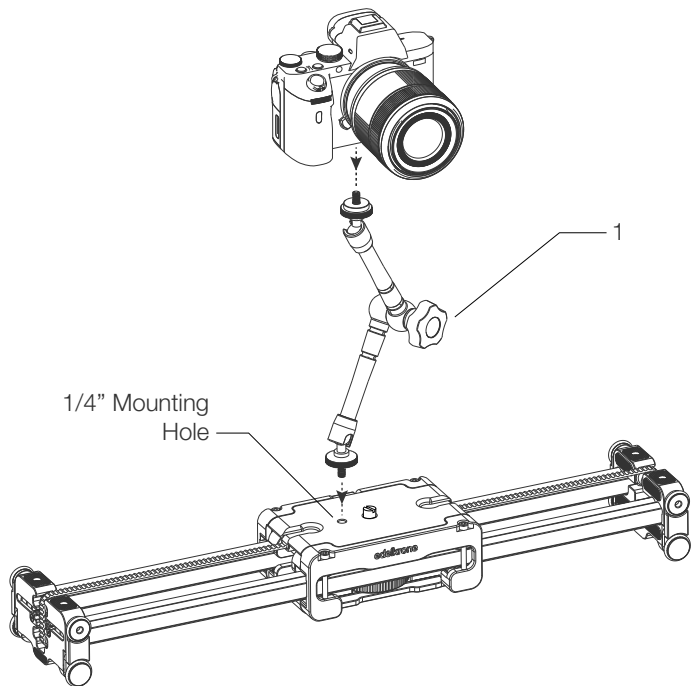


A detailed video explaining the process can be found at:
<http://edel.kr/sld5>



A detailed video explaining the mounting process can be found at:
<http://edel.kr/sld5>

7. MOUNTING YOUR MAGIC ARM ON SLIDERPLUS

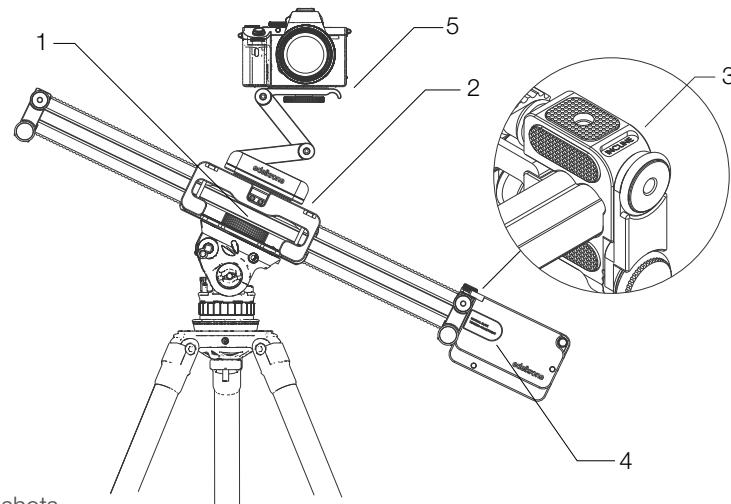


1. You can mount any camera head or arm to your SliderPLUS with 1/4" mounting screw.



A detailed video explaining mounting process can be found at:
<http://edel.kr/sld5>

8. INCLINED MOTION



To get inclined shots,

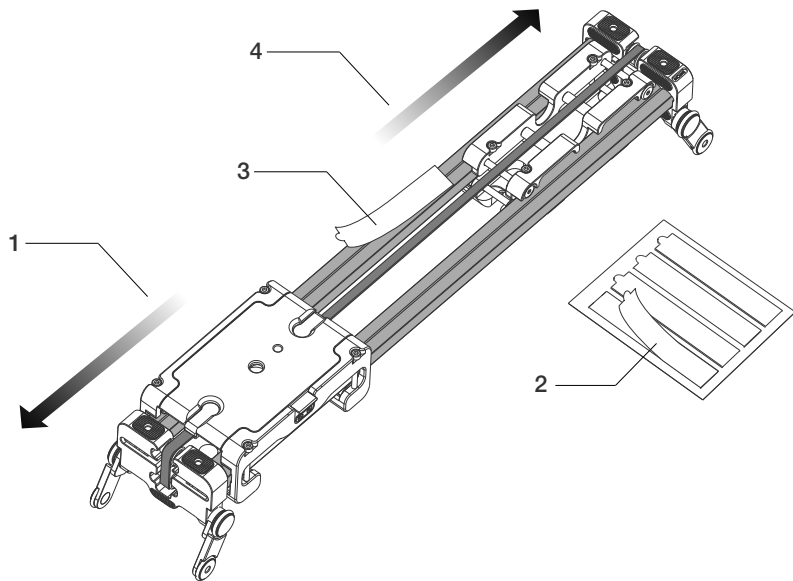
1. Place your SliderPLUS onto 3/8"-16 mounting screw of your tripod head.
2. Attach your FlexTILT Head or any camera head onto your SliderPLUS.
3. You should attach your Slide Module to incline side of the SliderPLUS.
4. You should tighten the slide tension of the Slide Module to get inclined motion.
5. Place your camera to FlexTILT Head or any camera head.

- ! If you are not able to slide manually after inclined operation, try loosening the tension. Make as small adjustments as possible.
- ! Please make sure that your tripod legs are opened widely enough to prevent falls and balance issues.




A detailed video explaining inclined motion can be found at:
<http://edel.kr/sld5>

9. CLEANING KIT



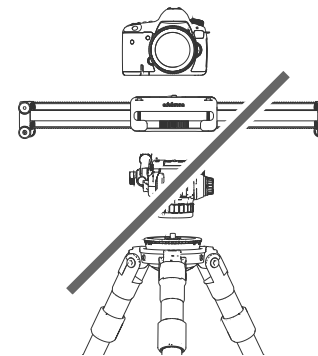
1. Separate the slider upper and lower carriages while your slider is resting on a flat surface as shown.
2. Remove a double sided sticker from the cleaning kit.
3. Stick one side of sticker on slider rail as shown and peel off the white cover from the sticker.
4. Slide the slider cars from one end to the other to clean the wheels.
5. Repeat this process for all wheels.

 A detailed video explaining how to use cleaning kit details can be found at:
<http://edel.kr/sld5>

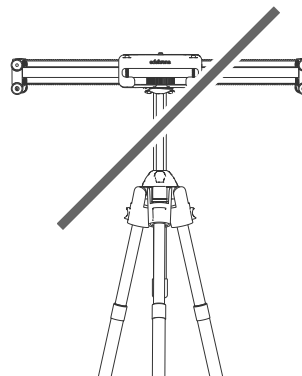
10. CAUTIONS AND TIPS


Please contact our dedicated customer care team for recommended tripod legs.

1. In order to get perfect results with you SliderPLUS please attach your SliderPLUS directly to tripod legs, not to tripod head.

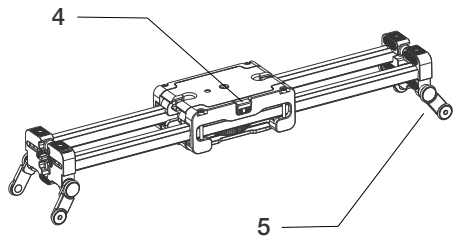
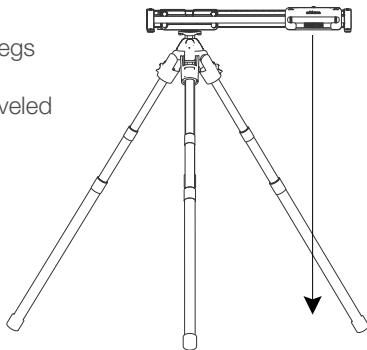


2. If your tripod has a feature that allows you to extend the height from its neck, we suggest keeping it down and as tight as possible in order to prevent a rainbow effect.



 A detailed video explaining the application usage details can be found at:
<http://edel.kr/sld5>

3. Please make sure that your SliderPLUS withstands within the area of the tripod legs to prevent falls and balance issues. Always make sure that your system is leveled and balanced.



4. Always keep your slider locked while it is not in use.
5. Use built-in foldable legs to level your system.

! SliderPLUS can travel twice its own length when it's mounted on a tripod. When using it on its feet, it can only travel its own length.

▶ For more tips please watch the user's manual videos at: <http://edel.kr/sld5>

DISCLAIMER

edelkrone cannot be held responsible for damage caused by improper use or modification of the product.

▶ For more information and tips about your SliderPLUS, please watch the user's manual videos at: <http://edel.kr/sld5>

Free Manuals Download Website

<http://myh66.com>

<http://usermanuals.us>

<http://www.somanuals.com>

<http://www.4manuals.cc>

<http://www.manual-lib.com>

<http://www.404manual.com>

<http://www.luxmanual.com>

<http://aubethermostatmanual.com>

Golf course search by state

<http://golfingnear.com>

Email search by domain

<http://emailbydomain.com>

Auto manuals search

<http://auto.somanuals.com>

TV manuals search

<http://tv.somanuals.com>