

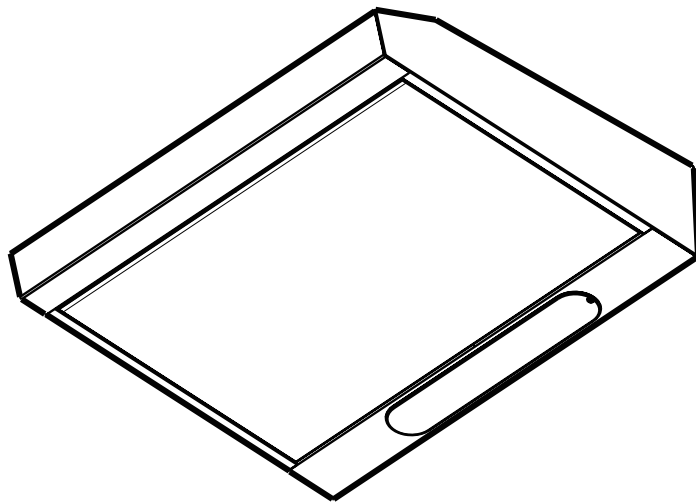


Montage- und Gebrauchsanweisung , Installatie- en gebruiksaanwijzing

EFT 630 - EFT 635

EFT 530 - EFT 535

Notice d'utilisation et d'installation, Operating and Installation Instructions



D

NL

F

UK

Safety warnings	32
For the installer	32
For the user	32
Description of the Appliance	33
Extractor version	33
Recirculation Version	33
Control Panel	34
Correct ventilation	34
Maintenance and Care	35
Cleaning the hood	35
Metal grease filter	35
Paper grease filter	36
Charcoal filter	36
Changing the light bulb	36
Something Not Working	37
Special accessories	37
Service and Spare Parts	38
Guarantee Conditions	39
Technical Specifications	40
Installation	40
Unpacking	40
Fitting	40
Electrical connection	40
Mounting accessories included	41
Wall unit mounting	41
Wall mounting	41

Before installing or using this appliance please read this instruction book carefully paying particular attention to the safety warnings on the following page.

If you have any queries regarding this appliance please contact Customer Care for advice.

Please keep this instruction book for future reference and pass it on to any future owner of the appliance.



Safety warnings

For the installer

- When used as an extractor unit, the hood must be fitted with a 125mm diameter hose.
Attention: The hose is not supplied and must be purchased separately.
- **When installing the hood, make sure you respect the following minimum distance from the top edge of the cooking hob/ring surfaces:**

electric cookers	600 mm
gas cookers	650 mm
coal and oil cookers	800 mm min.
- The national Standard on fuel-burning systems specifies a maximum depression of 0.04 mbar in such rooms.
- The air outlet must not be connected to chimney flues or combustion gas ducts. The air outlet must under no circumstances be connected to ventilation ducts for rooms in which fuel-burning appliances are installed.
- The air outlet installation must comply with the regulations laid down by the relevant authorities.
- When the unit is used in its extractor version, a sufficiently large ventilation hole must be provided, with dimensions that are approximately the same as the outlet hole.
- National and regional building regulations impose a number of restrictions on using hoods and fuel-burning appliances connected to a chimney, such as coal or oil room-heaters and gas fires, in the same room.
- Hoods can only be used safely with appliances connected to a chimney if the room and/or flat (air/environment combination) is ventilated from outside using a suitable ventilation hole approximately 500-600 cm² large to avoid the possibility of a depression being created during operation of the hood.
- If you have any doubts, contact the relevant controlling authority or building inspector's office.
- Since the rule for rooms with fuel burning appliances is "outlet hole of the same size as the ventilation hole", a hole of 500-600 cm², which is to say a larger hole, could reduce the performance of the extractor hood.
- If the hood is used in its filtering function, it will operate simply and safely in the above conditions without the need for any of the aforementioned measures.
- When the hood is used in its extractor function,

the following rules must be followed to obtain optimal operation:

- short and straight outlet hose
 - keep bends in outlet hose to a minimum
 - never install the hoses with an acute angle, they must always follow a gentle curve.
 - keep the hose as large as possible (preferably the same diameter as the outlet hole).
- Failure to observe these basic instructions will drastically reduce the performance and increase the noise levels of the extractor hood.

For the user

- **The cooker hood is designed to extract unpleasant odours from the kitchen, it will not extract steam.**
- Always cover lighted elements, to prevent excess heat from damaging the appliance. In the case of oil, gas and coal fired cookers it is essential to avoid open flames.
- Also, when frying, keep the deep frying pan on the cooker top/cooker under careful control.
- The hot oil in the frying pan might ignite due to overheating.
- The risk of self-ignition increases when the oil being used is dirty.
- It is extremely important to note that overheating can cause a fire.
- **Never carry out any flambé cooking under the hood.**
- **Always disconnect the unit from the power supply before carrying out any work on the hood, including replacing the light bulb** (take the cartridge fuse out of the fuse holder or switch off the automatic circuit breaker).
- **It is very important to clean the hood and replace the filter at the recommended intervals. Failure to do so could cause grease deposits to build up, resulting in a fire hazard.**
- The appliance is not intended for use by young children or infirm persons without supervision.
- Young children should be supervised to ensure that they do not play with the appliance.
- **WARNING** - Ensure that the appliance is switched off before replacing the lamp to avoid the possibility of electric shock.

Description of the Appliance

- The hood is supplied as an extractor unit and can also be used with a filtering function by fitting one charcoal filter.
- You will need an original Electrolux charcoal filter for this function (Available from your local Electrolux Service Force Centre).

ONLY for: EFT 630 W/GB / 942 120 776
EFT 630 B/GB / 942 120 777
EFT 635 X/GB / 942 120 779

- The cooker hood is supplied ready for use as a recirculation hood and may be used for extraction by removing the charcoal filter which has been fitted inside the cooker hood.

Extractor version

- In this version fumes are extracted to the outside via a **hose** connected to the **coupling ring**.
- Attention: The hose is not supplied and must be purchased separately.**
- In order to obtain the best performance the hose should have a diameter equal to the outlet hole.

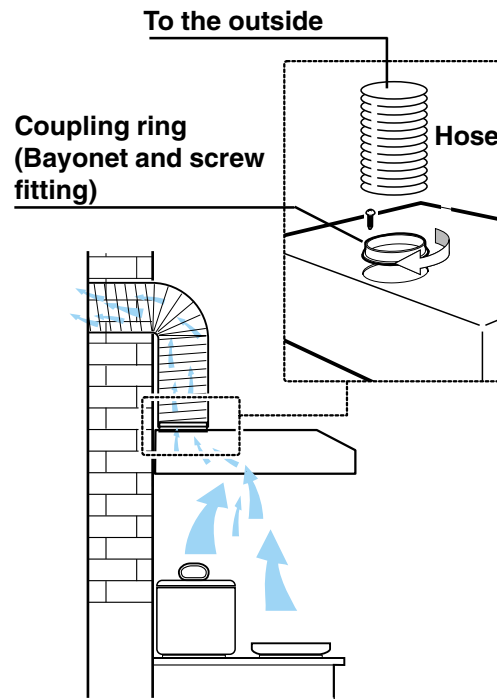


Fig. 1 - Extractor version

Recirculation Version

- The air is filtered through a **charcoal filter** and returned to the kitchen through the **front grid**.
- Move the **lever** to position **F**.
- You will need an original Electrolux charcoal filter for this function (Available from your local Electrolux Service Force Centre).

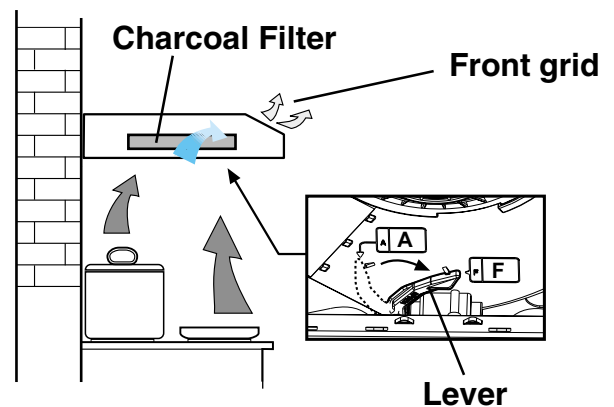
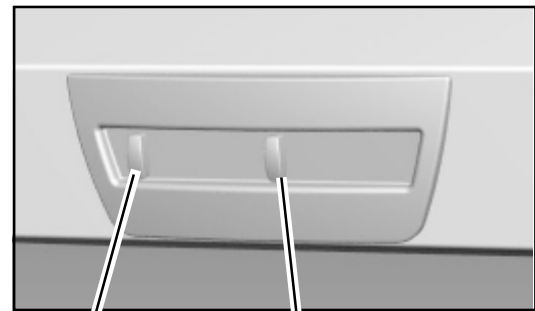


Fig. 2 - Recirculation version

Control Panel

- Best results are obtained by using a low speed for normal conditions and a high speed when odours are more concentrated. Turn the hood on a few minutes before you start cooking, you will then get an under pressure in the kitchen. The hood should be left on after cooking for about 15 minutes or until all the odours have disappeared. The control switches are located on the unit's front panel:
- the **light switch** switches the hood lamp on and off
- the **motor switch** switches the motor on and off, enabling you to select one of the three different speeds.



Light switch

Motor switch

Correct ventilation

If the cooker hood is to work correctly there must be an under pressure in the kitchen. It is important to keep the kitchen windows closed and have a window in an adjacent room open.

Fig. 3 - Control panel

Maintenance and Care

- The hood must always be disconnected from the electricity supply before beginning any maintenance work.

Cleaning the hood

- Clean the outside of the hood using a damp cloth and a mild detergent.
- Never use corrosive, abrasive or flammable cleaning products.
- Never insert pointed objects in the motor's protective grid.
- Wash the outside surfaces using a delicate detergent solution. Never use caustic detergents or abrasive brushes or powders.
- Only ever clean the switch panel and filter grille using a damp cloth and delicate detergents.
- It is extremely important to clean the unit and change the filters at the recommended intervals. Failure to do so will cause grease deposits to build up that could constitute a fire hazard.

Metal grease filter (EFT 635-535)

- The purpose of the grease filters is to absorb grease particles which form during cooking and it **must** always be used, either in the external extraction or internal recycling function. Attention: the metal grease filters must be removed and washed, either by hand or in the dishwasher, every four weeks.

Removing the metal grease filter

First pull the **latches** backwards (a), then extract the grille outwards (b).

Hand washing

Soak grease filters for about one hour in hot water with a little washing-up liquid added, then rinse off thoroughly with hot water. Repeat the process if necessary. Refit the grease filters when they are dry.

Dishwasher

Place grease filters in the dishwasher. Select most powerful washing programme and highest temperature, at least 65°C. Repeat the process. Refit the grease filters when they are dry.

When washing the metal grease filter in the dishwasher a slight discolouration of the filter can occur, this does not have any impact on its performance.

- Clean the inner housing using a hot detergent solution only (never use caustic detergents, abrasive powders or brushes).

Warning

- Failure to observe the instructions on cleaning the unit and changing the filters will cause a fire hazard. You are therefore strongly recommended to follow these instructions.
- The manufacturer declines all responsibility for any damage to the motor or any fire damage linked to inappropriate maintenance or failure to observe the above safety recommendations.

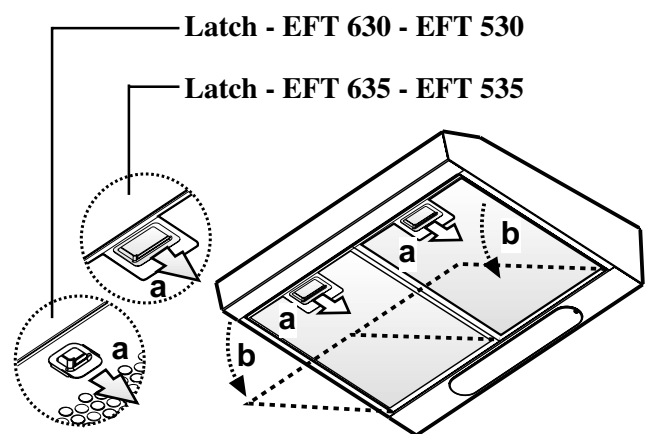


Fig. 4 -Removing the metal grease filter

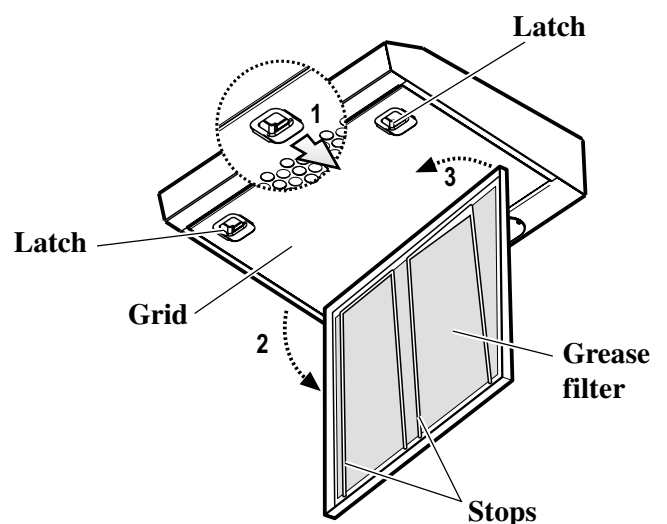


Fig. 5 - Paper Grease filter

Paper grease filter (EFT 630-530)

- The purpose of the grease filters is to absorb grease particles which form during cooking and it must always be used, either in the external evacuation or internal recycling function. The paper grease filter is very thin (approx. 1 mm) and positioned on the inside of its related support grille.
- The filter should be changed once a month.
- The grille should be cleaned with luke warm water and non-abrasive detergent when you change the filter.
- The grease filter can be ordered from your local Electrolux Service Force Centre.

Opening the grille

Open the **latch** and swing the **grille** downwards. To remove the **grille**, pull it forwards from the right and release it.

Removing the filter

Open the **grille** and remove the **stops** to take out the **filter**.

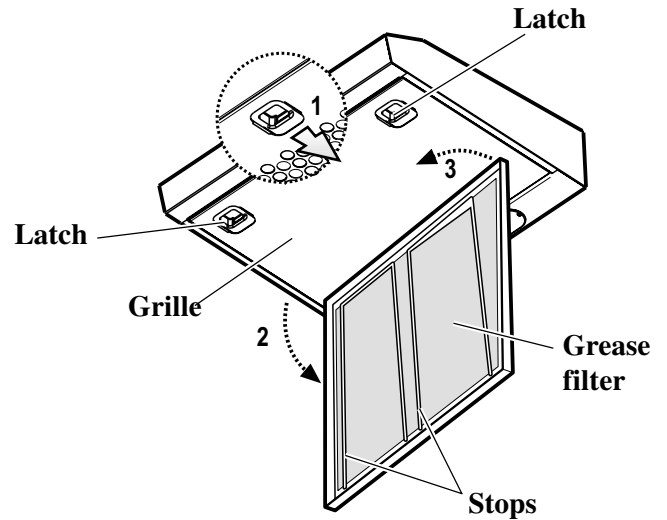


Fig. 5 - Paper Grease filter

Charcoal filter

- The charcoal filter should only be used if you want to use the hood in the recirculation function.
- To do this you will need an original Electrolux charcoal filter (available from your local Service Force Centre).
- The charcoal filter cannot be washed nor regenerated.

The charcoal filter should be replaced every 12 months under normal use.

Replacement filters are available from your local Service Force Centre.

Fitting

Remove the **cover** by rotating the **knobs** to 90°, put the **charcoal filter** inside and fix it by rotating the **knob** to 90° then close the **cover**.

- **To remove** proceed in the reverse order.
- Always specify the hood model code number and serial number when ordering replacement filters. This information is shown on the registration plate located on the inside of the unit.
- The charcoal filter can be ordered from your local Electrolux Service Force Centre.

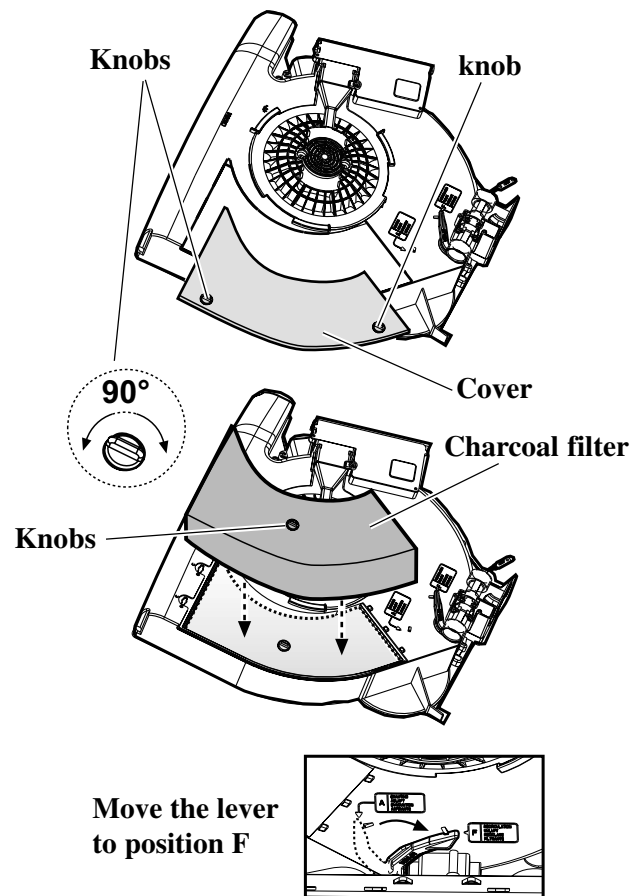


Fig. 6 - Charcoal Filter - Fitting

Changing the light bulb

- Disconnect the cooker hood from the mains supply.
- Remove the grid or the metal grease filter.
- Replace the old bulb with a new one of the same type.
- Remount the grid or the metal grease filter.
- If the light does not come on, make sure the bulb has been inserted correctly before contacting your local Service Force Centre.

Something Not Working

If your appliance fails to work properly please carry out the following checks.

Symptom	Solution
The cooker hood will not start.	Check that: The hood is connected to the electricity supply. Check that a fan speed has been selected
The cooker hood is not working	Check that: The fan speed is set high enough for the task. The grease filters are clean. The kitchen is adequately vented to allow the entry of fresh air. If set up for recirculation, check that the charcoal filter is still effective. If set up for extraction, check that the ducting and outlets are not blocked.
The cooker hood has switched off during operation.	The safety cut-out device has been tripped. Turn off the hob and then wait for the device to reset. If the hood has been installed below the heights indicated in the installation instructions the motor will cut-out frequently which will damage the hood.

If after all these checks, the problem persists, contact your local Service Force Centre, quoting the model and serial number.

Please note that it will be necessary to provide proof of purchase for any in-guarantee service calls.

In-guarantee customers should ensure that the above checks have been made as the engineer will make a charge if the fault is not a mechanical or electrical breakdown.

Special accessories

Charcoal filter TYPE 10

E-Nr. 942 120 770

In the event of your appliance requiring service, or if you wish to purchase spare parts, contact your local Electrolux Service Force Centre by telephoning:

08705 929 929

Your telephone call will be automatically routed to the Service Centre covering your post code area. For the address of your local Service Force Centre and further information about Service Force, please visit the website at www.serviceforce.co.uk

Please ensure that you have read the section „Something Not Working“ as the engineer will make a charge if the fault is not a mechanical or electrical breakdown even the appliance is under warranty. **Please note that proof of purchase is required for in-guarantee service calls.**

Help us to help you

Please determine your type of enquiry before writing or telephoning.

When you contact us we need to know:

- Your name
- Address and post code
- Telephone number
- Clear and concise details of the fault
- Name and model of the appliance*
- E number*

* This information can be found on the rating plate, which can be seen when the grease filters are removed.

CUSTOMER CARE DEPARTMENT

For general enquiries concerning your Electrolux appliance or for further information on Electrolux products, please contact our Customer Care Department by letter or telephone at the address below or visit our website at www.electrolux.co.uk

Customer Care Department
Electrolux
55-77 High Street
Slough
Berkshire
SL1 1DZ
08705 950950 (*)

* calls to this number may be recorded for training purposes.

Guarantee Conditions

Standard guarantee conditions

We, Electrolux, undertake that if within 12 months of the date of the purchase this Electrolux appliance or any part thereof is proved to be defective by reason only of faulty workmanship or materials, we will, at our option repair or replace the same FREE OF CHARGE for labour, materials or carriage on condition that:

The appliance has been correctly installed and used only on the electricity supply stated on the rating plate.

The appliance has been used for normal domestic purposes only, and in accordance with the manufacturer's instructions.

The appliance has not been serviced, maintained, repaired, taken apart or tampered with by any person not authorised by us.

All service work under this guarantee must be undertaken by an Electrolux Service Force Centre. Any appliance or defective part replaced shall become the Company's property.

This guarantee is in addition to your statutory and other legal rights.

Home visits are made between **8.30am and 5.30pm** Monday to Friday.

Visits may be available outside these hours in which case a **premium** will be charged.

Exclusions

This guarantee does not cover:

Damage or calls resulting from transportation, improper use or neglect, the replacement of any light bulbs or removable parts of glass or plastic.

Costs incurred for calls to put right an appliance which is improperly installed or calls to appliances outside the European Community (EC) or European Free Trade Area.

Appliances found to be in use within a commercial environment, plus those which are subject to rental agreements.

Products of Electrolux manufacture which are not marketed by Electrolux.

European Guarantee

If you should move to another country within Europe then your guarantee moves with you to your new home subject to the following qualifications:

The guarantee starts from the date you first purchased your product.

The guarantee is for the same period and to the same extent for labour and parts as exists in the new country of use for this brand or range of products.

This guarantee relates to you and cannot be transferred to another user.

Your new home is within the European Community (EC) or European Free Trade Area.

The product is installed and used in accordance with our instructions and is only used domestically, i.e. a normal household.

The product is installed taking into account regulations in your new country.

Before you move please contact your nearest Customer Care centre, listed below, to give them details of your new home. They will then ensure that the local Service Organisation is aware of your move and able to look after you and your appliances.

France	Senlis	+33 (0)3 44 62 20 13
Germany	Nürnberg	+49 (0)800 234 7378
Italy	Pordenone	+39 (0) 800 117511
Sweden	Stockholm	+46 (0)20 78 77 50
UK	Slough	+44 (0) 1753 219898

Technical Specifications

Model	EFT 630 - EFT 635	EFT 530 - EFT 535	EFT 630/GB - EFT 635/GB
Dimensions (in cm):			
Height (cm)	13	13	13
Width (cm)	59,8	49,8	59,8
Depth (cm)	51	51	51
Maximum absorbed power:	160W	160 W	180 W
Motor absorption:	1 x 120 W	1 x 120 W	1 x 120 W
Lighting:	1 x 40 W	1 x 40 W	2 x 40 W
Length of the cable:	150 cm	150 cm	150 cm
Electrical connection:	220 - 240 V	220 - 240 V	220 - 240 V

Subject to change without notice.

Installation

Unpacking

Check that the cooker hood has no damages. Transportation damages should immediately be reported to the company responsible for the transportation.

Damages, faults and eventually missing details should immediately be reported to the retailer. Take care of the packing materials so that small children cannot play with them.

Fitting

The hood is to be mounted on the wall. When installed, the hood must be not less than 60 cm. above electric burners or 65 cm. above gas or mixed-fuel burners. The hood can be installed above these heights but for optimum performance it should be installed at the distance quoted for the appropriate heat source.

Electrical connection (not for UK)

Safety warnings for the electrician

Before connecting the appliance to the power supply, check that the voltage indicated on the rating plate corresponds to the mains power supply available. Appliances fitted with a plug can be connected to any standard power socket within easy access.

Should it be necessary to provide a fixed connection, the hood must only be installed by an electrician authorised by the local electricity board. When installing, a double pole switch with a distance of at least 3 mm between contacts must be provided.

Fixed connection of the appliance must only be carried out by an authorised electrician.

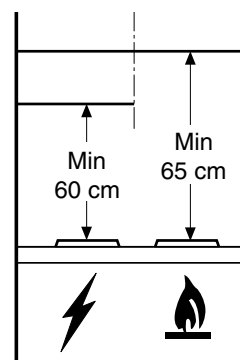


Fig. 7 - Fitting

Electrical connection for UK only

Safety warnings for the electrician

Connect the hood to the mains supply via a double pole switch which has 3 mm minimum separation between the contacts.

The switch must be accessible at all times.

The following is valid in the United Kingdom only:

- the wire which is coloured blue must be connected to the terminal which is marked with the letter N or coloured black, -
- the wire which is coloured brown must be connected to the terminal which is marked with the letter L or coloured red.

Installation

Mounting accessories included

- 4 screws 5 x 45 mm
- 4 wall plugs (brick fixing) Ø 8 mm
- 4 screws 4,2 x 35 mm
- 1 flange Ø 125 mm
- 1 allen spanner (for TORX screws)
- 1 screw 2.9 x 13

Wall unit mounting

- Make the holes on the bottom of the cupboard (2), using the drilling template (1).
- Make a hole for the exhaust pipe (4) if the hood is to be used in the extraction version (3).
- From inside the cupboard, insert the 4 supplied screws (5) and tighten them in the appropriate holes on the appliance.

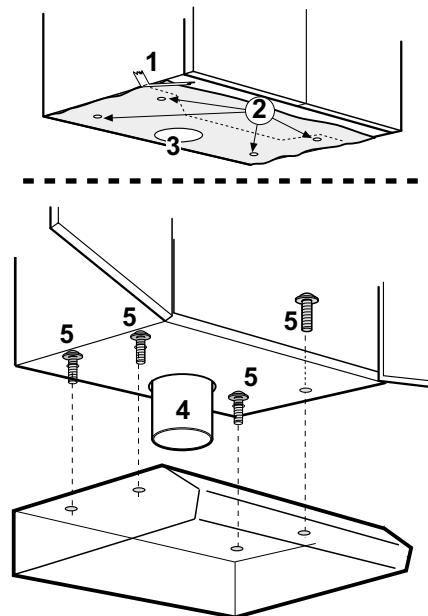


Fig. 8 - Wall unit mounting

Wall mounting

- Mark a centre line on the wall (1).
- Fit the template onto the wall (2).
- Fix the drilling template to the wall.
- Make 3 Ø 8mm holes in the wall (3), 2 at upper points, 1 as desired at lower points.
- Insert the three Ø 8mm expansion plugs into the wall (4) (brick fixing only)..
- Insert 2 5x45 screws (5) but do not tighten them completely, hang the hood (6).
- Adjust the unit so that it is positioned at a right angle to the wall by turning the two screws on lower side (7).
- Tighten the 2 upper screws (8).
- From inside the hood, insert the third 5x45 screw into the lower hole (9) and tighten (10).

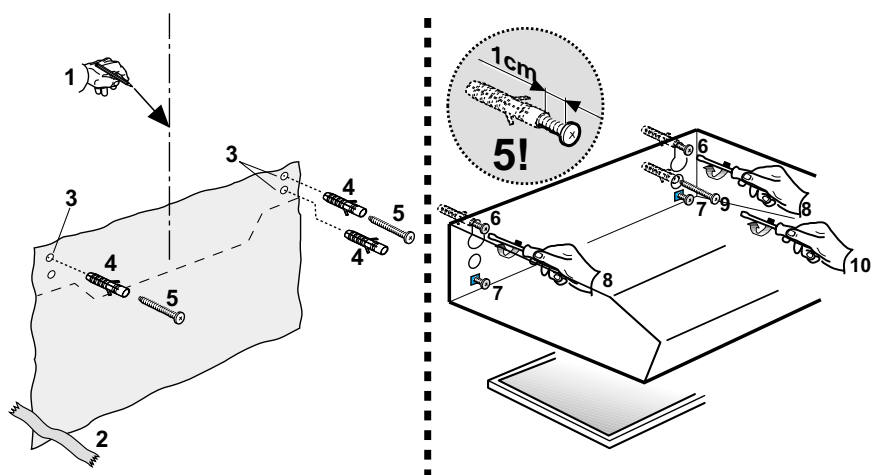


Fig. 9 - Wall mounting



 **The Electrolux Group.** The world's No.1 choice.

The Electrolux Group is the world's largest producer of powered appliances for kitchen, cleaning and outdoor use. More than 55 million Electrolux Group products (such as refrigerators, cookers, washing machines, vacuum cleaners, chain saws and lawn mowers) are sold each year to a value of approx. USD 14 billion in more than 150 countries around the world.

© Electrolux plc 2003

LI12QB Ed. 03/03

Free Manuals Download Website

<http://myh66.com>

<http://usermanuals.us>

<http://www.somanuals.com>

<http://www.4manuals.cc>

<http://www.manual-lib.com>

<http://www.404manual.com>

<http://www.luxmanual.com>

<http://aubethermostatmanual.com>

Golf course search by state

<http://golfingnear.com>

Email search by domain

<http://emailbydomain.com>

Auto manuals search

<http://auto.somanuals.com>

TV manuals search

<http://tv.somanuals.com>