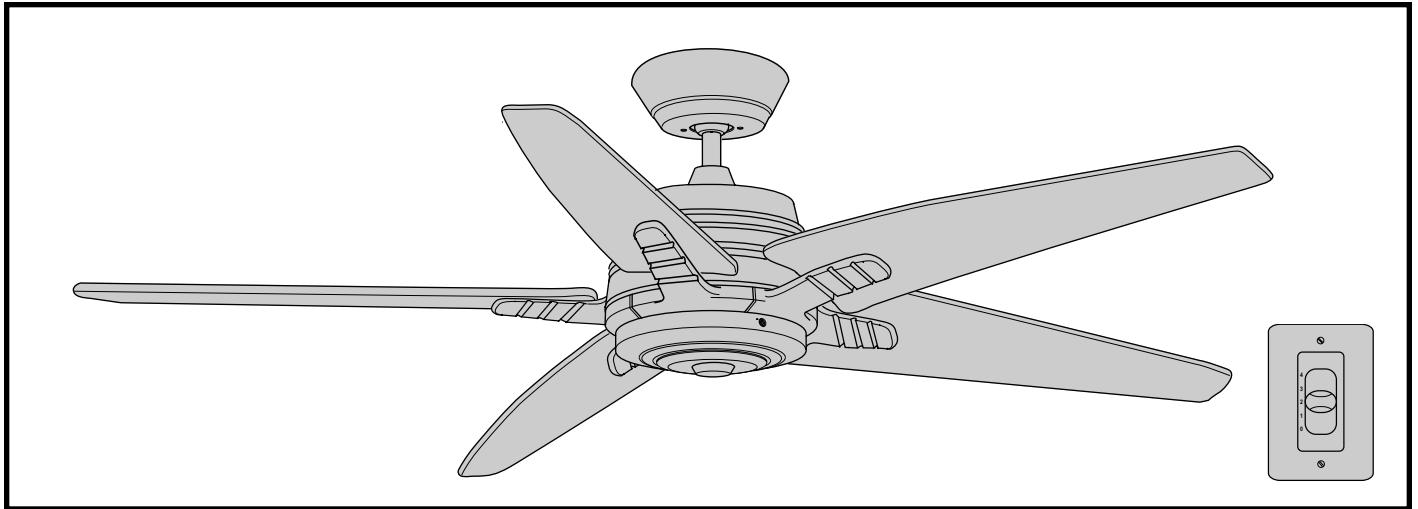


READ AND SAVE THESE INSTRUCTIONS



EMERSON™

CONTEMPORARY



EUCLID™

56" Ceiling Fan Owner's Manual

Model Numbers

CF500AP00 - Antique Pewter

CF500BS00 - Brushed Steel

CF500ORB00 - Oil Rubbed Bronze

Net Weight: 22.4 Lbs.

Questions, problems, missing parts: Before returning to the store call
Emerson Electric Customer Service
8 a.m. - 6 p.m., Eastern, Monday-Friday

1-800-654-3545

www.emersonfans.com

- Español - página 23
- Français - page 45

Form No. BP7519
U.L. Model No.: CF500

Table of Contents

Section	Page	Section	Page
Safety Instructions	2	8. Maintenance	17
1. Unpacking Instructions	3-4	9. Accessories	17
2. Electrical Requirements	4	10. Repair Parts	18-19
3. Ceiling Fan Assembly	5-9	11. Troubleshooting	20
4. How to Hang Your Ceiling Fan	10-11	Ceiling Fan Limited Warranty	21
5. How to Wire Your Ceiling Fan	12-14	Spanish	23
6. Installing the Wall Control	15-16	French	45
7. Using Your Ceiling Fan	16		

READ AND SAVE THESE INSTRUCTIONS

Safety Instructions

WARNING

TO REDUCE THE RISK OF FIRE, ELECTRICAL SHOCK, OR INJURY TO PERSONS, OBSERVE THE FOLLOWING:

- Use this unit only in a manner intended by the manufacturer. If you have questions, contact the manufacturer.
- Before servicing or cleaning unit, switch power off at service panel and lock service panel disconnecting means to prevent power from being switched on accidentally. When the service disconnecting means cannot be locked, securely fasten a warning device, such as a tag, to the service panel.

- Read your owner's manual carefully and keep it for future reference.
- Be careful of the fan and blades when cleaning, painting, or working near the fan. Always turn off the power to the ceiling fan before servicing.
- Do not put anything into the fan blades while they are turning.
- Do not operate reversing switch until fan blades have come to a complete stop.

Additional Safety Instructions for Installation

- To avoid possible shock, be sure electricity is turned off at the fuse box before wiring, and do not operate fan without blades.
- All wiring must be in accordance with the National Electrical Code "ANSI/NFPA 70-2014" and Local Electrical Codes. Use the National Electrical Code if Local Codes do not exist. The ceiling fan must be grounded as a precaution against possible electrical shock. Electrical installation should be made or approved by a licensed electrician.

- The outlet box and joist must be securely mounted and capable of reliably supporting at least 50 pounds. Use only U.L. outlet boxes listed as "Acceptable for Fan Support of 22.7kg. (50 lbs.) or less", and use the mounting screws provided with the outlet box. Most outlet boxes commonly used for support of light fixtures are not acceptable for fan support and may need to be replaced. Consult a qualified electrician if in doubt.
- The downrod furnished with the fan provides the minimum recommended floor to fan blade clearance for an 8 foot ceiling.
- The fan must be mounted with the fan blades at least 7 feet from the floor to prevent accidental contact with the fan blades.
- Follow the recommended instructions for the proper method of wiring your ceiling fan. If you do not know enough about electrical wiring, have your fan installed by a licensed electrician.

NOTE: This fan is suitable for use with solid-state speed controls.

NOTE: All setscrews must be checked and re-tightened where necessary before installation.

WARNING

To reduce the risk of electrical shock, this fan must be installed with an isolating wall control/switch.

To reduce the risk of fire or electrical shock, this fan should only be used with fan speed control, Model No. SW46/U.L. Model No. UDC9020, manufactured by Rhine Electric Co., Ltd.

This product is designed to use only those parts supplied with this product and/or any accessories designated specifically for use this product by Emerson Electric Co. Substitution of parts or accessories not designated for use with this product by Emerson could result in personal injury or property damage.

To reduce the risk of personal injury, do not bend the blade flange when installing the blade flanges, balancing the blades or cleaning the fan. Do not insert foreign objects in between rotating fan blades.

1. Unpacking Instructions

⚠ WARNING

Do not install or use fan if any part is damaged or missing. Call Toll-Free:

1-800-654-3545

⚠ WARNING

This product is designed to use only those parts supplied with this product and/or any accessories designated specifically for use with this product by Emerson Electric Co. Substitution of parts or accessories not designated for use with this product by Emerson Electric Co. could result in personal injury or property damage.

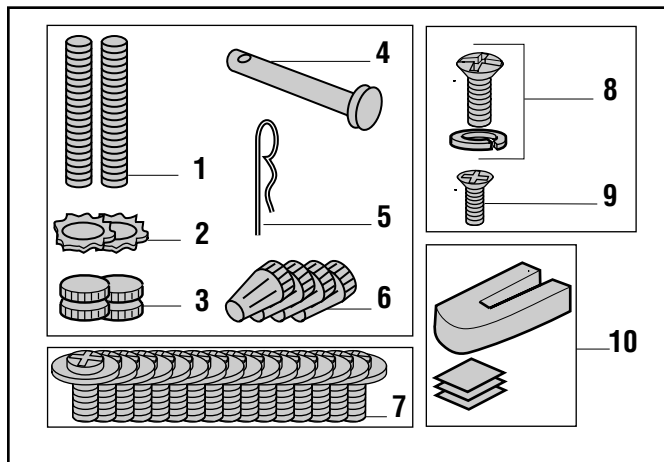
1.1

Check to see that you have received the following parts:

NOTE: If you are uncertain of part description, refer to exploded view illustration.

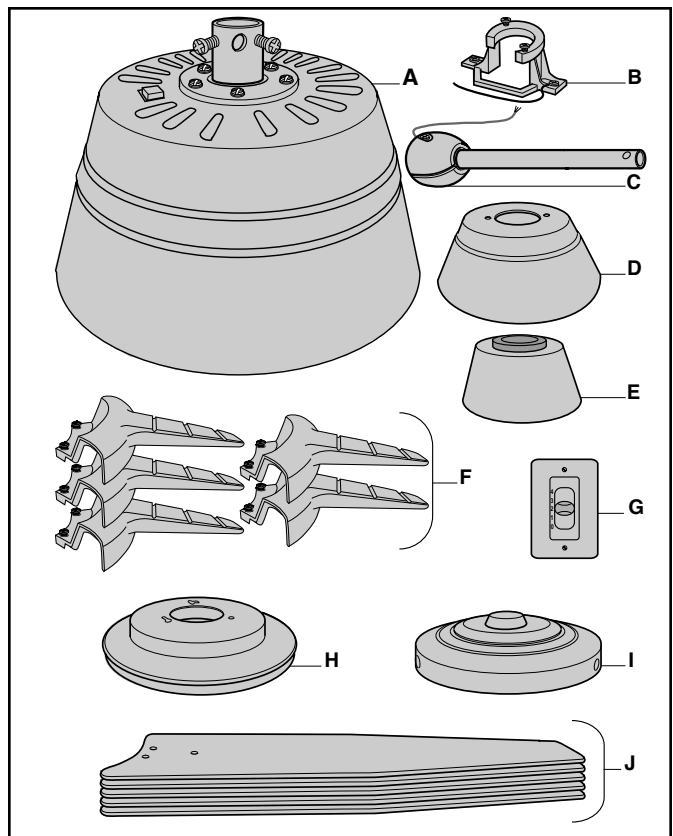
HARDWARE CONTENTS

Part	Description	Quantity
1	Threaded Studs, #8-32 x 1-1/4"	2
2	Lockwashers, External Tooth, #8	2
3	Knurled Knobs, #8-32	2
4	Clevis Pin	1
5	Hairpin Clip	1
6	Wire Connectors	4
7	Washer Head Screws #10-24 x 9/32"	16
8	Round Head Screw with Lockwasher 1/4-20 x 9/16" (Spare)	1
9	Flat Head Screw #8-32 x 5/16" (Spare)	1
10	Blade Balance Kit	1



PACKAGE CONTENTS

Part	Description	Quantity
A	Fan Motor Assembly	1
B	Hanger Bracket	1
C	Hanger Ball / 4.5" Downrod	1
D	Ceiling Canopy	1
E	Motor Coupler Cover	1
F	Fan Blade Flanges	5
G	SW46 Wall Control	1
H	Switch Housing Adapter	1
I	Switch Housing Cover	1
J	Fan Blades	5



NOTE: The loose parts are individually packaged for ease of installation. Place the parts from the loose parts bags in a small container to keep them from being lost. If any parts are missing, contact your local retailer or catalog outlet for replacement before proceeding.

1.2

Remove the fan assembly from the protective plastic bag. Place the fan assembly into the upper foam pad with the top of the motor facing up.

The upper foam pad serves as a holder for the fan during the first stages of assembly.

1. Unpacking Instructions (Continued)

This Manual Is Designed to Make it as Easy as Possible for You to Assemble, Install, Operate and Maintain Your Ceiling Fan

Tools Needed for Assembly

One Phillips head screwdriver One stepladder
One 1/4" blade screwdriver One wire stripper

Materials

Wiring outlet box and box connectors must be of type required by the local code. The minimum wire would be a 3-conductor (2-wire with ground) of following size:

<u>Installed Wire Length</u>	<u>Wire Size A.W.G.</u>
Up to 50 ft.	14
50-100 ft.	12

Your Emerson Ceiling Fan comes supplied with a Fan Wall Control. This system allows you to regulate your ceiling fan speed.

This Emerson Ceiling Fan may be used with the following accessories: RCFP/RC188 Receiver and SR401/SR600/SR650 Remote Control and SW650 Wall Control.

WARNING

Before assembling your ceiling fan, refer to section on proper method of wiring your fan (page 12). If you feel you do not have enough wiring knowledge or experience, have your fan installed by a licensed electrician.

2. Electrical Requirements

Your new ceiling fan will require a grounded electrical supply line of 120 volts AC, 60 Hz, 15 amp circuit.

The outlet box must be securely anchored and capable of withstanding a load of at least 50 pounds.

WARNING

To reduce the risk of fire, electric shock, or personal injury, mount fan to outlet box marked "Acceptable for Fan Support of 22.7kg. (50 lbs.) or less", and use screws supplied with outlet box. Most outlet boxes commonly used for support of light fixtures are not acceptable for fan support and may need to be replaced. Consult a qualified electrician if in doubt.

WARNING

Turning off wall switch is not sufficient. To avoid possible electrical shock, be sure electricity is turned off at the main fuse box before wiring. All wiring must be in accordance with National and Local codes and the ceiling fan must be properly grounded as a precaution against possible electrical shock.

If your fan is to replace an existing ceiling light fixture, turn electricity off at the main fuse box at this time and remove the existing light fixture.

WARNING

To avoid fire or shock, follow all wiring instructions carefully.

Any electrical work not described in these instructions should be done or approved by a licensed electrician.

Please call Emerson technical support at 1-800-654-3545 if you have any questions about installation and operation of this ceiling fan.

3. Ceiling Fan Assembly

3.1

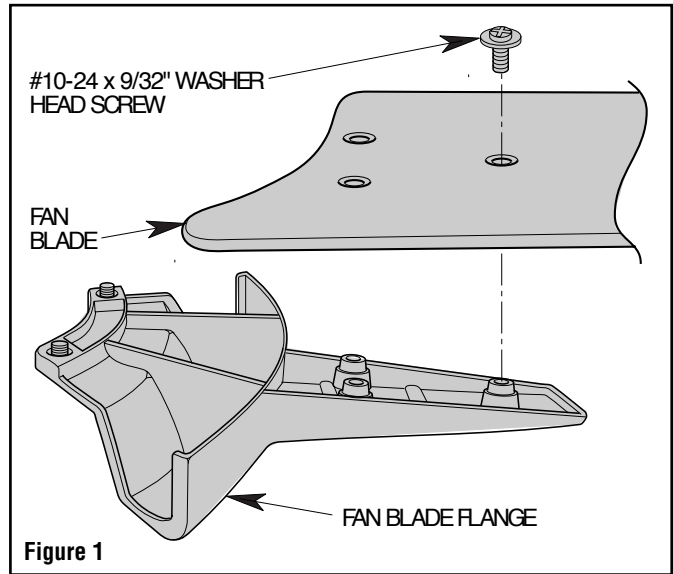
NOTE: Intermixing blades and flanges between fans can cause excessive wobble. Keep blades and flanges in original sets of five.

Place the fan blade on the fan blade flange (Figure 1).

Tighten the #10-24 x 9/32" washer head screw to secure (supplied in parts bag) the fan blade and fan blade flange (Figure 1).

Repeat this procedure for the other four fan blade flanges and fan blades.

Make sure all the #10-24 x 9/32" washer head screws are tighten securely to the fan blade and flange.



3.2

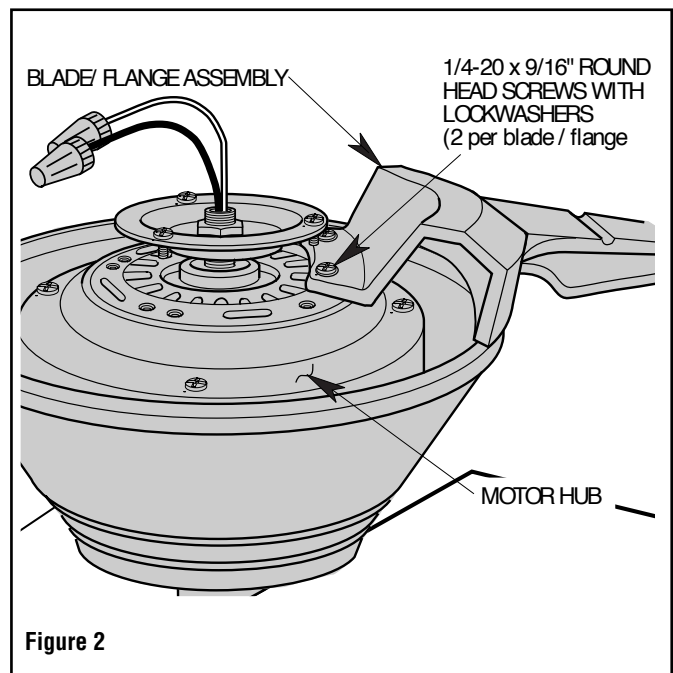
Loosely attach one blade/flange assembly to the motor hub by securing the two 1/4-20 x 9/16" round head screws with lockwashers (Figure 2).

Repeat this procedure for the other four blade/flange assemblies.

Securely tighten all the 1/4-20 x 9/16" round head screws with lockwashers to the motor hub at this time.

NOTE: Take care not to scratch fan housing when installing blades.

A spare 1/4-20 x 9/16" round head screw with lockwasher supplied in parts bag, if needed.



WARNING

To reduce the risk of personal injury, do not bend the blade flange when installing the blade flanges, balancing the blades or cleaning the fan. Do not insert foreign objects in between rotating fan blades.

3. Ceiling Fan Assembly (Continued)

3.3

Remove one #8-32 x 3/8" round head screw with lockwasher from the motor hub and retain for later use.

Loosen the other two #8-32 x 3/8" round head screw with lockwasher on the motor hub for the installation of the switch housing adapter.

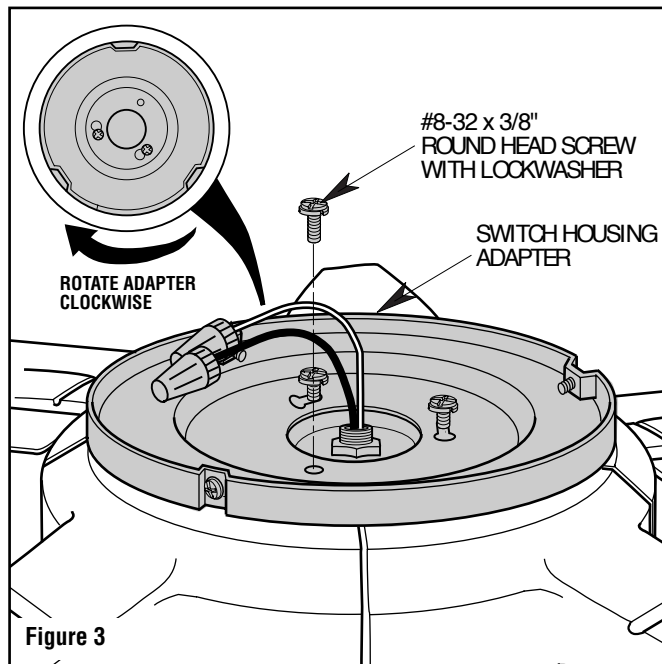
Place the motor hub connectors through the center hole of the switch housing adapter.

Place the switch housing adapter onto the motor hub, aligning the three screw holes (Figure 3).

Rotate the switch housing adapter key hole slots clockwise to engage both loosened screws (Figure 3).

Reinstall the previous removed #8-32 x 3/8" round head screw with lockwasher.

Secure the switch housing to the motor hub by tightening the three switch housing screws.



3.4

Tuck all the wires and wire connectors into the switch housing adapter.

Remove the three #8-32 x 5/16" flat head screws from the switch housing adapter and retain for the installation of the switch housing cover.

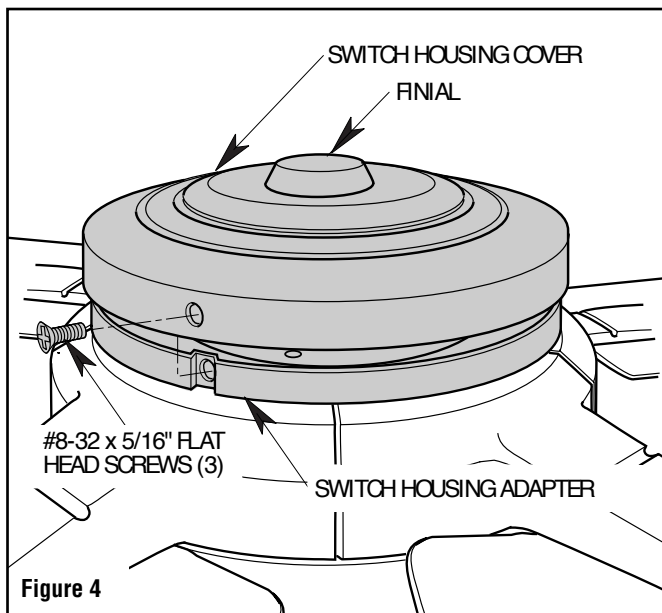
Align the three screw holes of the switch housing cover onto the switch housing adapter (Figure 4).

Reinstall the previous removed #8-32 x 5/16" flat head screws.

Secure the switch housing cover to the switch housing adapter by tightening the three switch housing screws (Figure 4).

A spare #8-32 x 5/16" flat head screw supplied in parts bag, if needed.

The finial may be removed for use with an Emerson light kit.



3. Ceiling Fan Assembly (Continued)

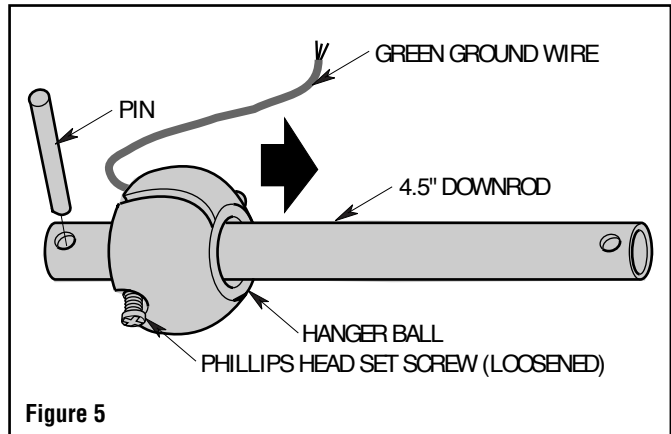
3.5

Carefully turn the partially assembled fan right side up and place on the styrofoam carton, in preparation for final installation.

Remove the hanger ball by loosening the Phillips head set screw in the hanger ball until the ball falls freely down the downrod (Figure 5).

Remove the pin from the downrod, then remove the hanger ball (Figure 5).

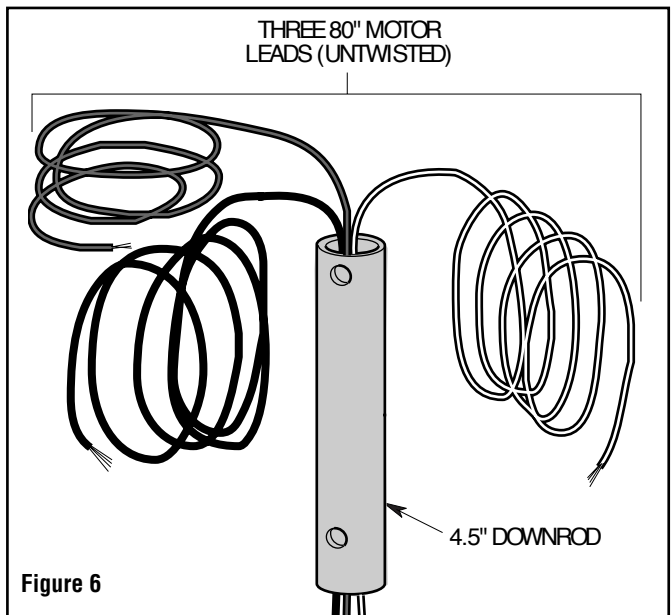
Retain the pin and hanger ball for reinstallation in Step 3.11.



3.6

Separate, untwist and unkink the three 80" motor leads.

Route the three 80" black, blue, and white motor leads through the downrod (Figure 6).

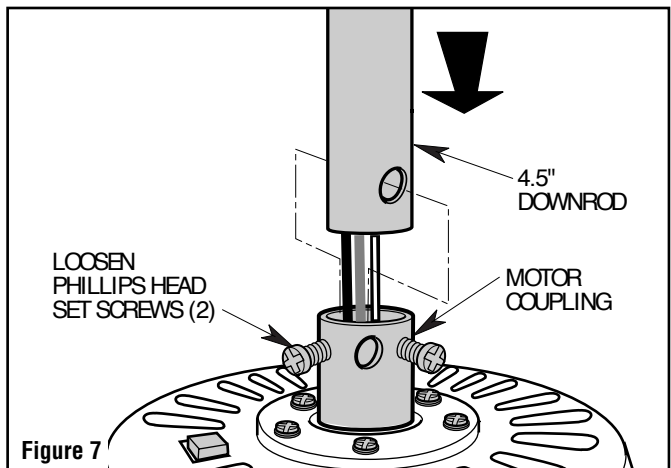


3.7

Loosen the two Phillips head set screws in the motor coupler for installation of the downrod (Figure 7).

Seat the downrod in the motor coupler (Figure 7).

Rotate and align the downrod holes with all the holes in the motor coupler (Figure 7).



3. Ceiling Fan Assembly (Continued)

3.8

Align the clevis pin holes in the downrod with the holes in the motor coupler.

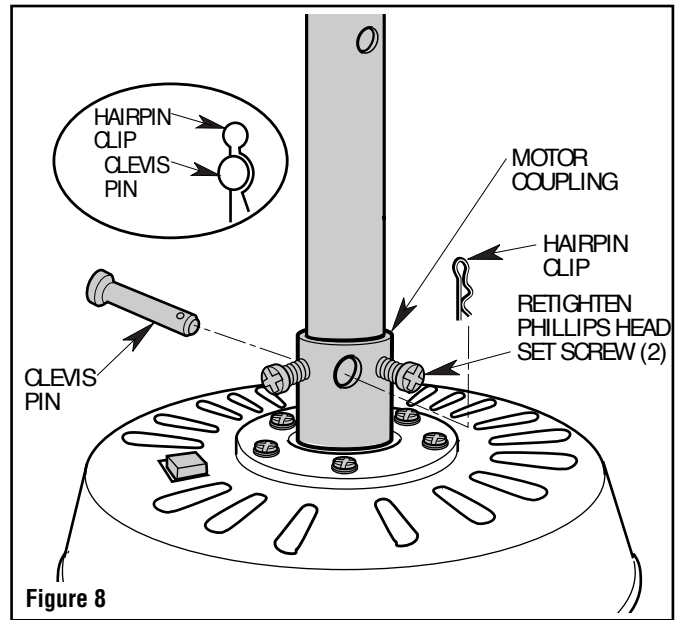
Install the clevis pin and secure with the hairpin clip (Figure 8).

The clevis pin must go through the holes in the motor coupler. It is critical that the clevis pin in the motor coupler is properly installed and securely tightened.

Retighten the two Phillips head set screws to secure the downrod to the motor (Figure 8).

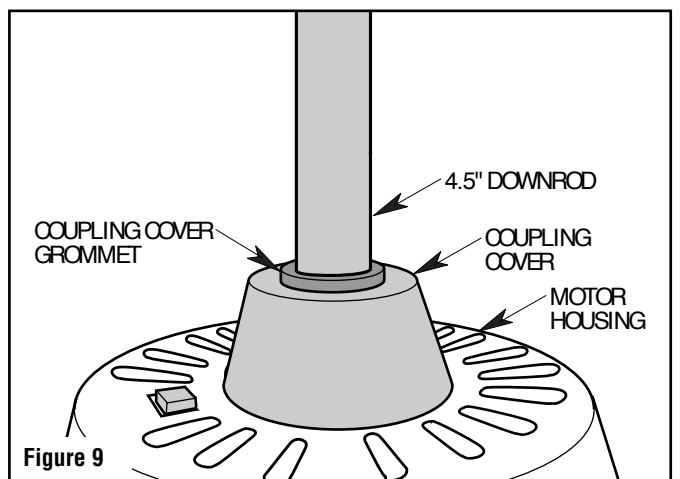
WARNING

It is critical that the clevis pin and setscrews in the motor coupler are properly installed and securely tightened. Failure to verify that the pin and setscrews are properly installed could result in the fan falling.



3.9

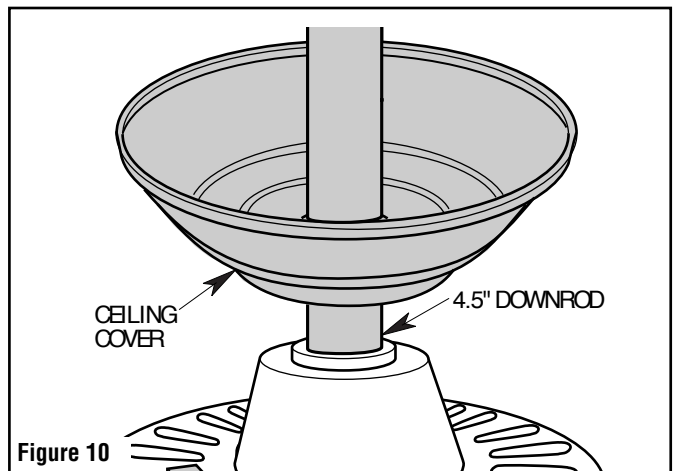
Make sure the grommet is properly installed in the coupler cover, then slide the coupler cover on the downrod until it rests on the motor housing (Figure 9).



3.10

Place the ceiling cover over the downrod (Figure 10).

Be sure that the ceiling cover and the coupler cover are both oriented correctly (Figure 10).



3. Ceiling Fan Assembly (Continued)

3.11

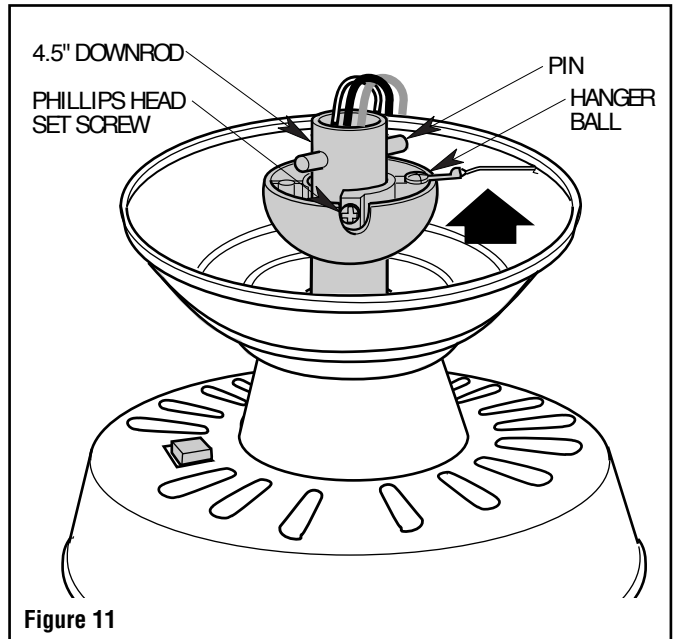
Route the two motor leads through the hanger ball (Figure 11).

Reinstall the hanger ball on the downrod as follows:

Position the pin through the two holes in the downrod and align the hanger ball so the pin is captured in the groove in the top of the hanger ball (Figure 11).

Pull the hanger ball up tight against the pin and securely retighten the Phillips head set screw in the hanger ball (Figure 11).

A loose Phillips head set screw could create fan wobble.

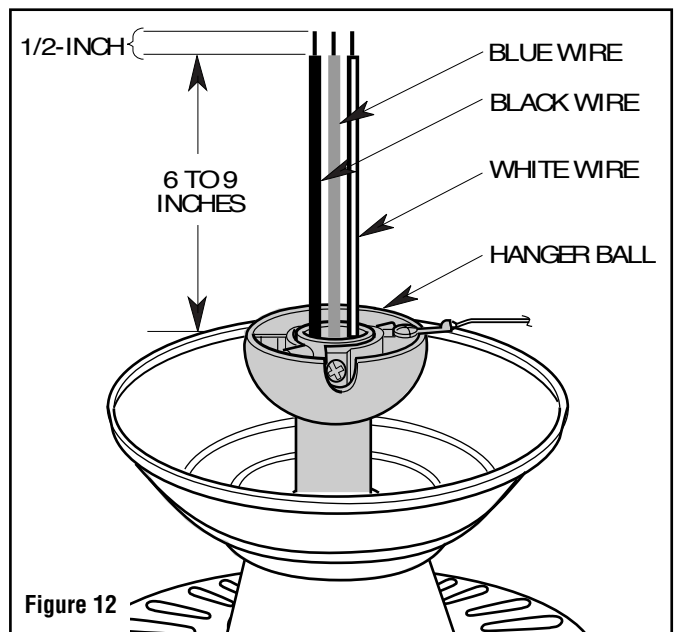


3.12

The fan comes with black, blue and white leads that are 80" long.

Measure up approximately 6 to 9-inches above top of hanger ball / 4.5" downrod assembly (Figure 12).

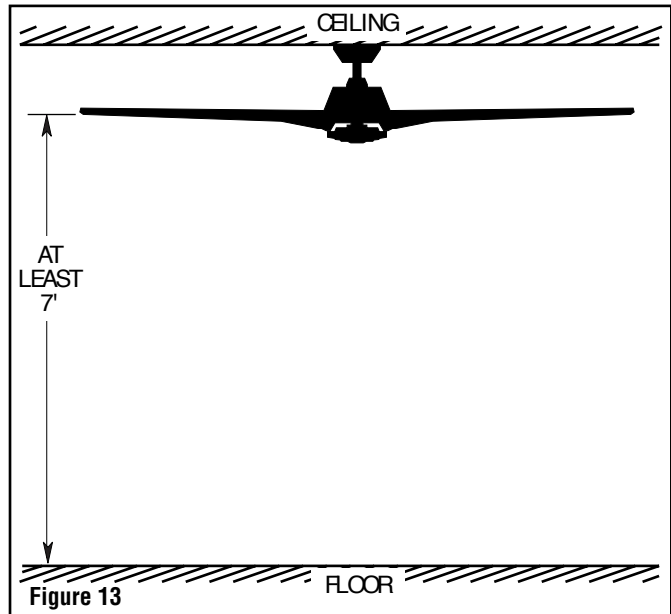
Cut off excess leads and strip back insulation 1/2-inch from end of leads.



4. How to Hang Your Ceiling Fan

WARNING

The fan must be hung with at least 7' of clearance from floor to blades (Figure 13).

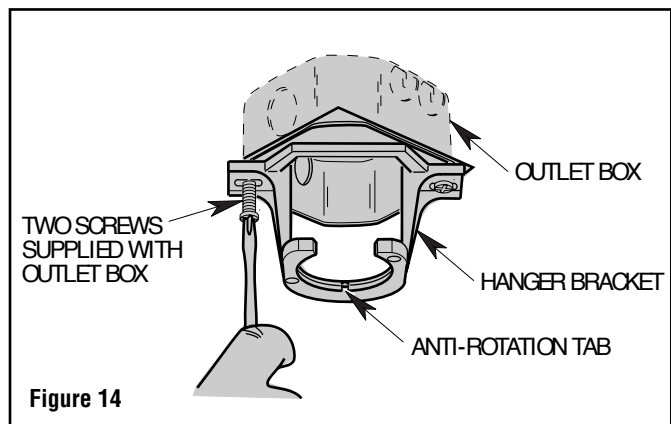


WARNING

The outlet box and joist must be securely mounted and capable of supporting at least 50 lbs. Use only a U.L. outlet box listed as “Acceptable for Fan Support of 22.7 kg. (50 lbs.) or less”.

WARNING

To reduce the risk of fire, electric shock, or personal injury, mount fan to outlet box marked “Acceptable for Fan Support of 22.7 kg. (50 lbs.) or less”, and use screws supplied with outlet box. Most outlet boxes commonly used for support of light fixtures are not acceptable for fan support and may need to be replaced. Consult a qualified electrician if in doubt.



4.1

Securely attach the hanger bracket to the outlet box using the two screws supplied with the outlet box. (Figure 14).

WARNING

Hanger bracket must seat firmly against outlet box. If the outlet box is recessed, remove wall board until bracket contacts box. If bracket and/or outlet box are not securely attached, the fan could wobble or fall.

4. How to Hang Your Ceiling Fan (Continued)

4.2

Carefully lift the fan and seat the hanger ball/downrod assembly on the hanger bracket that was just attached to the outlet box (Figure 15).

Be sure the groove in the ball is engaged with the anti-rotation tab on the hanger bracket (Figure 15).

WARNING

Failure to seat tab in groove could cause damage to electrical wires and possible shock or fire hazard.

WARNING

To avoid possible fire or shock, do not pinch wires between the hanger ball/downrod assembly and hanger bracket.

NOTE: CEILING COVER, SUPPLY WIRES AND FAN WIRES OMITTED FOR CLARITY.

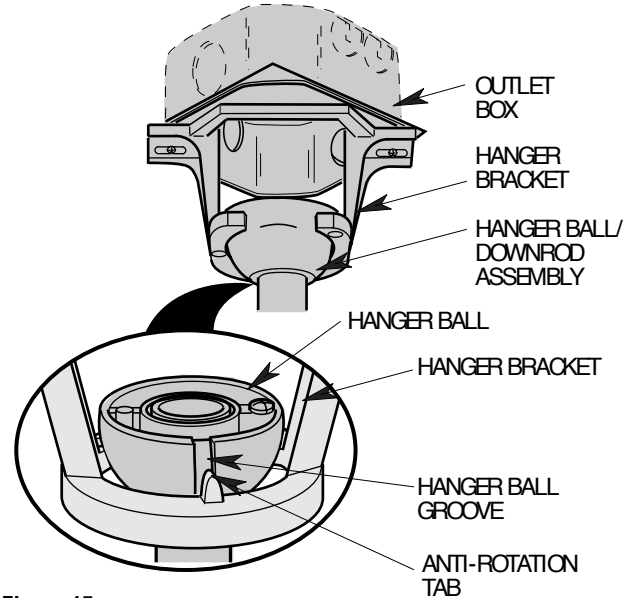


Figure 15

5. How to Wire Your Ceiling Fan

If you feel that you do not have enough electrical wiring knowledge or experience, have your fan installed by a licensed electrician.

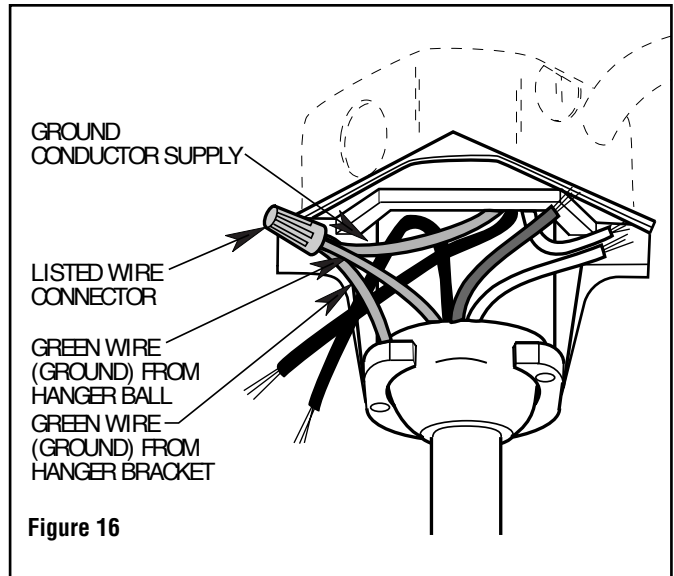
WARNING

To avoid possible electrical shock, be sure electricity is turned off at the main fuse box before wiring.

NOTE: If you are not sure if the outlet box is grounded, contact a licensed electrician for advice, as it must be grounded for safe operation.

5.1

Connect the green grounding lead from the hanger ball and the green grounding lead from the hanger bracket to the grounding conductor of supply (this may be a bare wire or wire with green colored insulation). Securely connect wires with wire connectors (supplied) (Figure 16).

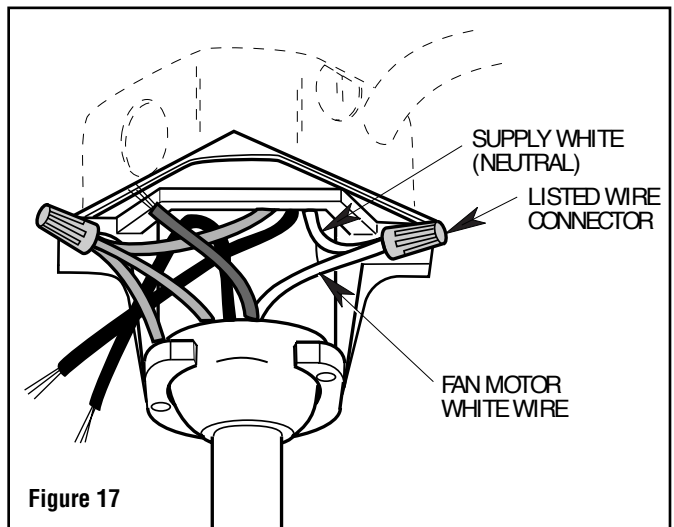


WARNING

This product is designed to use only those parts supplied with this product and/or any accessories designated specifically for use with this product by Emerson Electric Co. Substitution of parts or accessories not designated for use with this product by Emerson Electric Co. could result in personal injury or property damage.

5.2

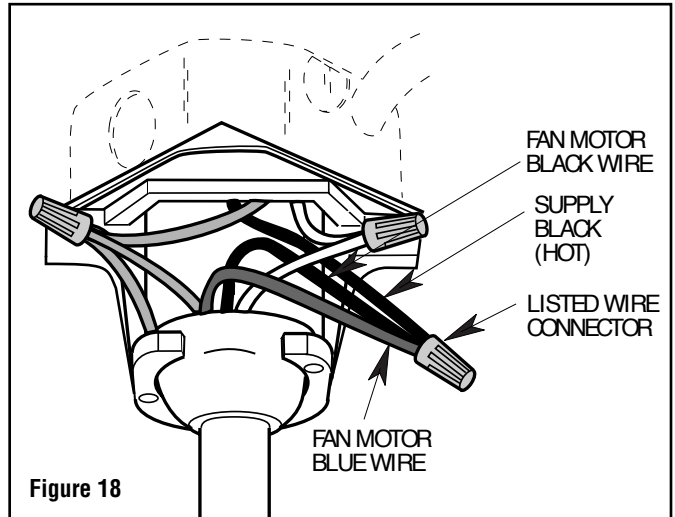
Securely connect the fan motor white wire to the supply white (neutral) wire using wire connector (supplied) (Figure 17).



5. How to Wire Your Ceiling Fan (Continued)

5.3

Securely connect the fan motor black wire and blue wires to the supply black (hot) wire using wire connector (supplied) (Figure 18).

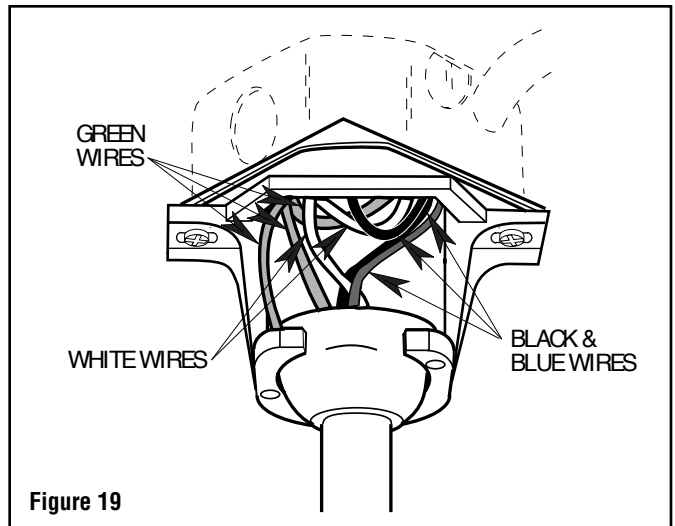


5.4

After connections have been made, turn leads upward and carefully push leads into the outlet box, with the white and green leads on one side of the outlet box and position the black and blue leads on the other side of the outlet box (Figure 19).

WARNING

Check to see that all connections are tight, including ground, and that no bare wire is visible at the wire connectors, except for the ground wire. Do not operate fan until blades are in place. Noise and fan damage could result.



5. How to Wire Your Ceiling Fan (Continued)

5.5

Screw the two threaded studs (supplied) into the tapped holes in the hanger bracket (Figure 20).

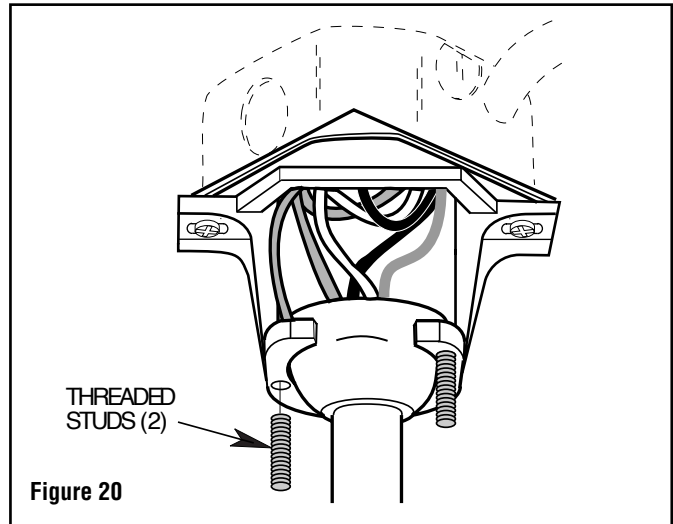


Figure 20

5.6

Lift the ceiling cover up to the threaded studs and turn until studs protrude through the holes in the ceiling cover (Figure 21).

Secure the ceiling cover in place by sliding lockwashers over the threaded studs and installing the two knurled knobs (supplied). (Figure 21).

Tighten the knurled knobs securely until the ceiling cover fits snugly against the ceiling and the hole in the ceiling cover is clear of the downrod.

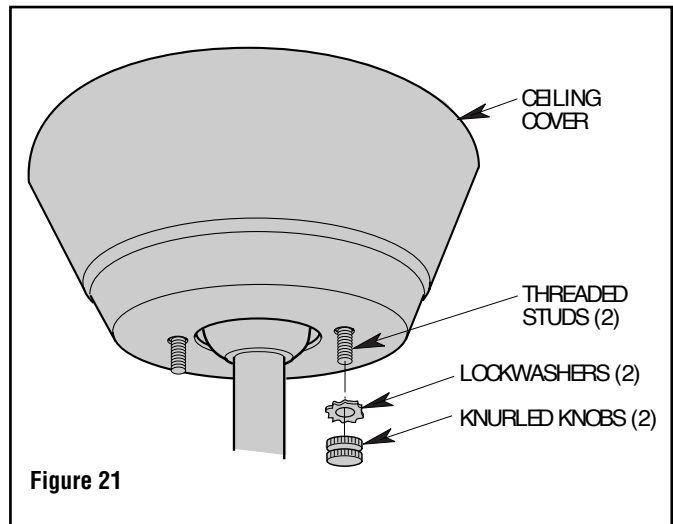


Figure 21

WARNING

To avoid possible fire or shock, make sure that the electrical wires are completely inside the outlet box and not pinched between the ceiling cover and the ceiling.

6. Installing the Wall Control

WARNING

Turning off wall switch is not sufficient. To avoid possible electrical shock, be sure electricity is turned off at the main fuse box before wiring. All wiring must be in accordance with National and Local codes and the ceiling fan must be properly grounded as a precaution against possible electrical shock.

6.1

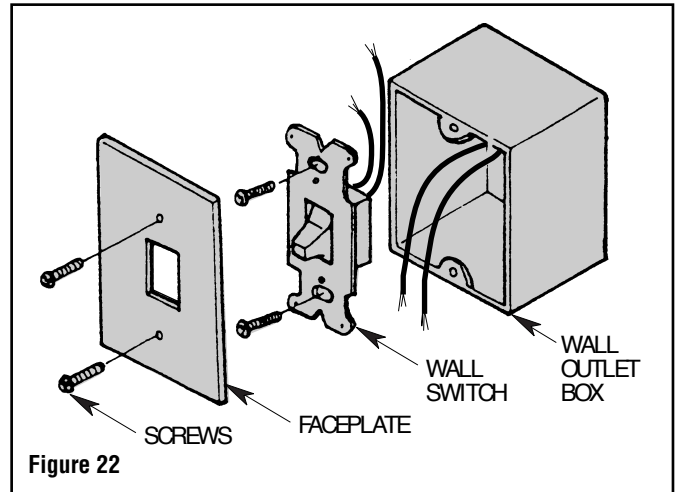
This control is designed to operate only one ceiling fan

Before disconnecting power, ensure that the fan is set at the highest speed.

NOTE: Electric connections should be in accordance with the National Electrical Codes and all Local Codes. Before starting, disconnect power to the circuit at the fuse box or circuit breaker panel.

Remove the faceplate and screws from the existing wall switch. Pull switch out from wall outlet box.

Disconnect the wire from the existing fan wall switch (Figure 22).



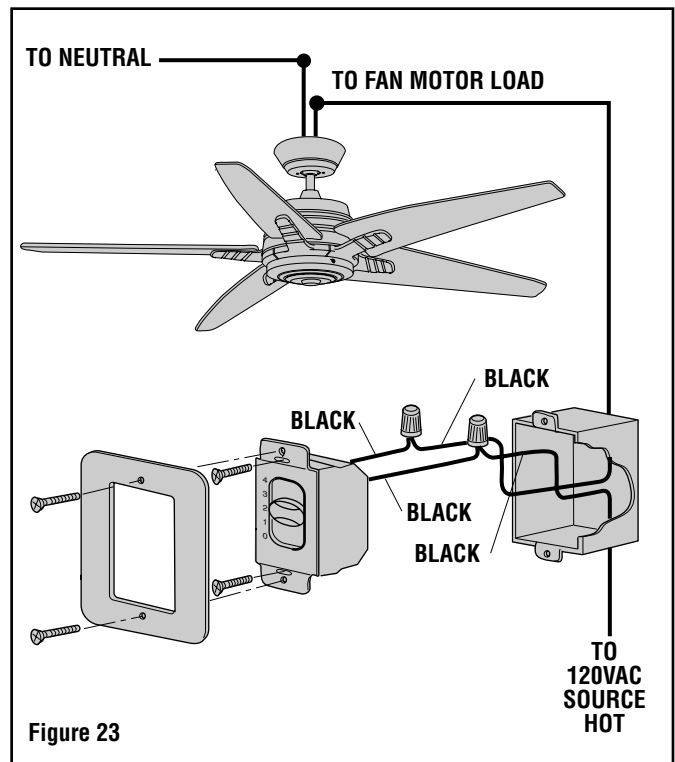
6.2

Slide the Fan Control to the OFF position (0).

Connect one BLACK wire from the Fan Control to the facility active BLACK wire with a wire connector (provided) (Figure 23).

Connect the other BLACK wire from the Fan Control to the outlet box active BLACK wire with a wire connector (provided with control) (Figure 23).

NOTE: Use wire connectors (supplied) to secure electrical connections.



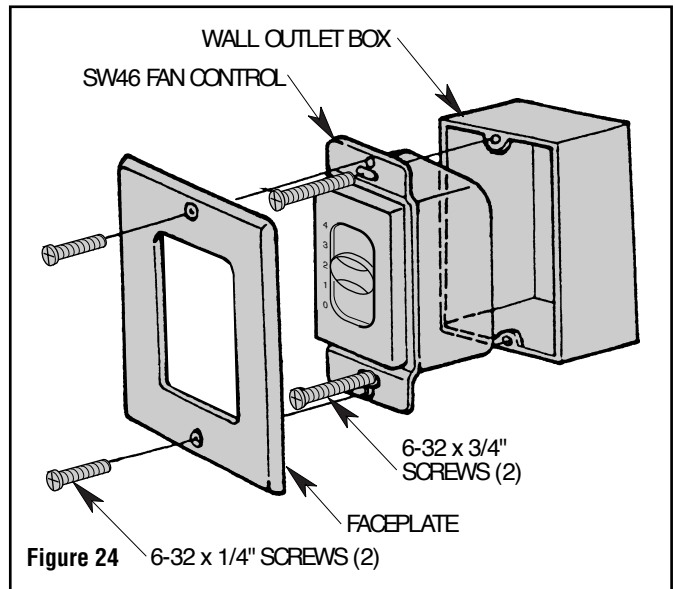
6. Installing the Wall Control (Continued)

6.3

Attach the SW46W Fan Control to the wall outlet box with two 6-32 x 3/4" screws (provided with control).

Position the faceplate (provided with control) onto the speed control. Using the two 6-32 x 1/4" screws, screw the faceplate and speed control to the wall outlet box (Figure 24).

Restore power at the main fuse box or circuit breaker panel.



7. Using Your Ceiling Fan

7.1

IMPORTANT

Fan installation must be completed, including the installation of the fan blades, before testing of the controls.

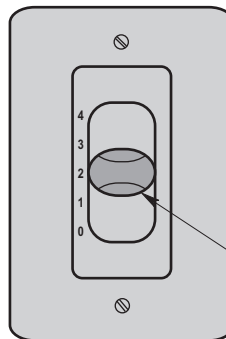
Restore electrical power to the outlet box by turning the electricity on at the main fuse box.

Check the operation of the fan by sliding the bar of the control through the four positions marked 1 - 4 ("0" position is OFF) (Figure 25).

SPEEDS and OFF:

- 4 - High
- 3 - Medium High
- 2 - Medium
- 1 - Low
- 0 - OFF

Slide the switch up and down to select the desired operating speed or to turn the fan OFF



SLIDE SWITCH

Figure 25

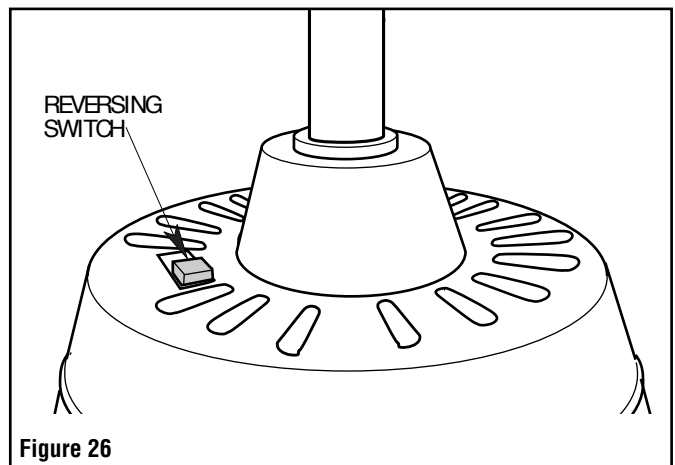
7.2

All fans are shipped from the factory with the reversing switch positioned to circulate air downward. If airflow is desired in opposite direction, turn your fan OFF and wait for the blades to stop turning, then slide the reversing switch to the opposite position, and turn fan on again (Figure 26).

The fan blades will turn in the opposite direction and reverse the airflow.

Reverse Switch Information

Season	Rotation Direction	Switch Position
Summer	Counter-Clockwise	Right
Winter	Clockwise	Left



8. Maintenance

IMPORTANT CARE INSTRUCTIONS for your Ceiling Fan

Periodic cleaning of your new ceiling fan is the only maintenance that is needed.

When cleaning, use only a soft brush or lint free cloth to avoid scratching the finish.

Abrasive cleaning agents are not required and should be avoided to prevent damage to finish.



WARNING

Do not use water when cleaning your ceiling fan. It could damage the motor or the blades and create the possibility of an electrical shock.

9. Accessories

See your local Emerson dealer, www.emersonfans.com or the Emerson Ceiling Fan catalog for these accessories:

- Ceiling Fan Receiver / Remote Controls
- Downrod Extension Kits
- Slope Ceiling Kit
- Ceiling Fan Light Kit



WARNING

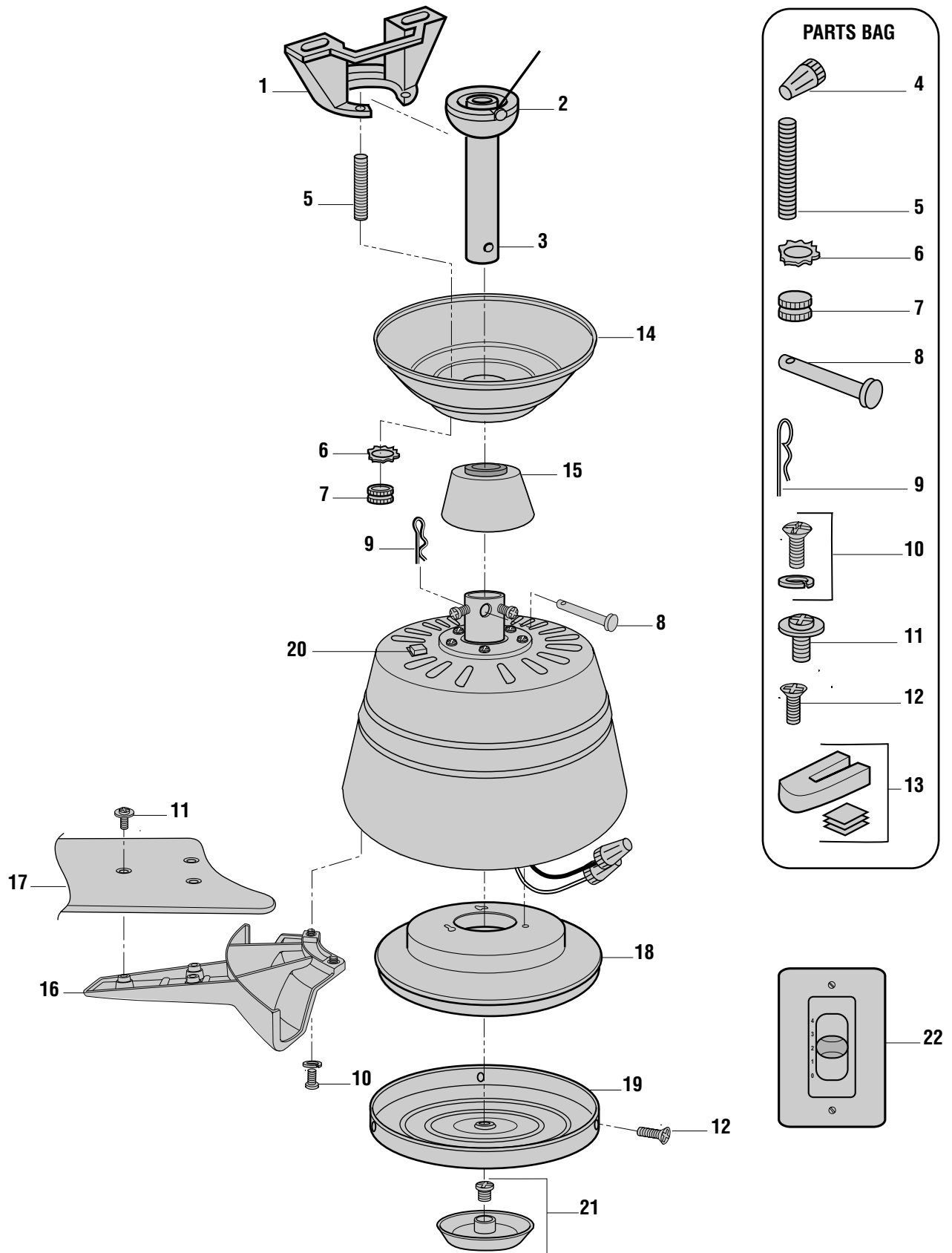
The use of any other control not specifically approved for this fan could result in fire, shock and personal injury.



WARNING

This product is designed to use only those parts supplied with this product and/or any accessories designated specifically for use with this product by Emerson Electric Co. Substitution of parts or accessories not designated for use with this product by Emerson Electric Co. could result in personal injury or property damage.

10. Repair Parts



10. Repair Parts Listing

Key No.	Description	Model Numbers		
		CF500AP00	CF500BS00	CF500ORB00
*	Hanger Ball Assembly, Consisting of:	761655-34	761655-17	761655-32
1	Hanger Bracket (1)	—	—	—
2	Hanger Ball (1)	—	—	—
3	4.5" Downrod (1)	—	—	—
*	Parts Bag Containing:	764813-BLX	764813-CRM	764813-BLX
4	Wire Connectors (4)	—	—	—
5	Studs, Threaded, #8-32 x 1-1/4" (2)	—	—	—
6	Lockwashers, External Tooth, #8 (2)	—	—	—
7	Knobs, Knurled, #8-32 (2)	—	—	—
8	Pin, Clevis (1)	—	—	—
9	Clip, Hairpin (1)	—	—	—
10	Screw, Round Head with Lockwasher, 1/4-20 x 9/16", Spare (1)	—	—	—
11	Screws, Washer Head, #10-24 x 9/32" (16)	—	—	—
12	Screw, Flat Head, #8-32 x 5/16", Spare (1)	—	—	—
13	Balancing Kit (1)	—	—	—
14	Ceiling Cover (1)	764802-AP	764802-BS	764802-ORB
15	Motor Coupler Cover (1)	764803-AP	764803-BS	764803-ORB
16	Flange Set (set of 5)	764805-AP	764805-BS	764805-ORB
17	Blade Set (set of 5)	764807-CR/TM	764807-WA/NC	764807-DC/DM
18	Switch Housing Adapter (1)	764809-AP	764809-BS	764809-ORB
19	Switch Housing Cover (1)	764810-AP	764810-BS	764810-ORB
20	Wire Harness Assembly (1)	764811	764811	764811
21	Finial Nut Assembly (1)	764812-AP	764812-BS	764812-ORB
22	Wall Control (1)	SW46	SW46	SW46
—	Owner's Manual	BP7519	BP7519	BP7519

Before discarding packaging material, be certain all parts have been removed.

HOW TO ORDER REPAIR PARTS

WHEN ORDERING REPAIR PARTS, ALWAYS GIVE THE FOLLOWING INFORMATION:

- PART NUMBER
- NAME OF ITEM
- PART DESCRIPTION
- MODEL NUMBER


The model number of your Fan will be found on a label attached to the top housing.

For repair parts, phone 1-800-654-3545.

11. Troubleshooting

WARNING

FOR YOUR OWN SAFETY TURN OFF POWER AT FUSE BOX OR CIRCUIT BREAKER BEFORE TROUBLESHOOTING YOUR FAN.

TROUBLE	PROBABLE CAUSE	SUGGESTED REMEDY
1. Fan will not start.	<ol style="list-style-type: none"> 1. Fuse or circuit breaker blown. 2. Reversing switch in neutral position. 	<ol style="list-style-type: none"> 1. Check main and branch circuit fuses or circuit breakers. <div style="border: 1px solid black; padding: 5px; text-align: center;"> <p> WARNING</p> <p>Make sure main power is turned OFF.</p> </div> <ol style="list-style-type: none"> 2. Make sure reversing switch position is all the way to one side.
2. Fan sounds noisy.	<ol style="list-style-type: none"> 1. Blades not attached to fan. 2. Loose screws in motor housing. 3. Screws securing fan blade flanges to motor hub are loose. 4. Screws holding blades to flanges are loose. 	<ol style="list-style-type: none"> 1. Attach blades to fan before operating. 2. Check to make sure all screws in motor housing are snug (not over-tight). 3. Check to make sure the screws which attach the fan flanges to the motor hub are tight. 4. Tighten screws securely.
3. Fan wobbles excessively.	<ol style="list-style-type: none"> 1. Setscrews in motor coupler are loose. 2. Setscrew in hanger ball/downrod assembly is loose. 3. Screws securing fan blade flanges to motor are loose. 4. Fan blade flanges not seated properly. 5. Hanger bracket and/or ceiling outlet box is not securely fastened. 6. Fan blades out of balance. 	<ol style="list-style-type: none"> 1. Tighten both setscrews securely in the motor coupler. 2. Tighten the setscrew in the hanger ball/downrod assembly. 3. Check to be sure screws which attach the fan blade flanges to the motor are tight. 4. Check to be sure the fan blade flanges seat firmly and uniformly to the surface of the motor. If flanges are seated incorrectly, loosen the flange screws and retighten according to the procedure in the section on "Ceiling Fan Assembly". 5. Tighten the hanger bracket screws to the outlet box, and/or secure outlet box. 6. Interchanging an adjacent (side-by-side) blade pair can redistribute the weight and result in smoother operation.

Emerson Air Comfort Ceiling Fan Limited Warranty

What The Limited Warranty Covers:

This limited warranty is offered by Air Comfort Products division of Emerson Electric Co. ("Emerson" "we" or "us") located at the address stated below to the original retail purchaser ("you" or "your") of an Emerson Air Comfort Ceiling Fan product ("Emerson Ceiling Fan") and covers the motor and the other components and accessories of the Emerson Ceiling Fan against all defects in workmanship and materials.

What The Period Of Coverage Is:

This limited warranty will cover the Emerson Ceiling Fan motor for the expected lifetime of your Emerson Ceiling Fan (when operated in accordance with your Owner's Manual or other instructions provided by Emerson to you with the Emerson Ceiling Fan). All other components and accessories of the Emerson Ceiling Fan are covered by this limited warranty for a period of one (1) year from its date of original retail purchase. ANY IMPLIED WARRANTY, INCLUDING WITHOUT LIMITATION, ANY IMPLIED WARRANTY OF MERCHANTABILITY OR FITNESS FOR A PARTICULAR PURPOSE THAT IS AVAILABLE TO YOU UNDER THE LAWS OF YOUR STATE OR PROVINCE SHALL COVER THE MOTOR FOR THE EXPECTED LIFETIME OF THE MOTOR (SUBJECT TO PROPER USE), AND FOR ONE YEAR WITH RESPECT TO COMPONENTS AND ACCESSORIES.

No Other Express or Implied Warranty Applies:

THE LIMITED WARRANTIES PROVIDED ABOVE ARE THE SOLE AND EXCLUSIVE WARRANTIES PROVIDED BY EMERSON TO YOU FOR YOUR EMERSON CEILING FAN, AND ARE IN LIEU OF ALL OTHER WARRANTIES, WRITTEN OR ORAL, EXPRESS OR IMPLIED, WHETHER ARISING BY OPERATION OF LAW OR OTHERWISE, WHETHER OR NOT THE PURPOSE HAS BEEN DISCLOSED AND WHETHER OR NOT THE EMERSON CEILING FAN HAS BEEN SPECIFICALLY DESIGNED OR MANUFACTURED FOR YOUR USE OR PURPOSE. EMERSON HEREBY DISCLAIMS ANY AND ALL IMPLIED WARRANTIES, INCLUDING WITHOUT LIMITATION, IMPLIED WARRANTIES OF MERCHANTABILITY OR FITNESS FOR A PARTICULAR PURPOSE FOR COMPONENTS AND ACCESSORIES AS OF THE EXPIRATION OF THE ONE YEAR WARRANTY PERIOD FOR SUCH COMPONENTS AND ACCESSORIES. IMPLIED WARRANTIES OF MERCHANTABILITY OR FITNESS FOR A PARTICULAR PURPOSE FOR THE MOTOR PORTION OF THE EMERSON CEILING FAN ARE LIKEWISE DISCLAIMED BY EMERSON AT SUCH TIME THAT THE EXPECTED LIFETIME OF THE EMERSON CEILING FAN UNDER NORMAL USAGE HAS BEEN REACHED. EXCLUSIONS OR LIMITATIONS OF IMPLIED WARRANTIES MAY VARY FROM STATE TO STATE AND PROVINCE TO PROVINCE SO THE ABOVE LIMITATIONS MAY NOT APPLY TO YOU.

What We Will Do To Correct Problems:

If during the one (1) year warranty period the motor or any component or accessory of your Emerson Ceiling Fan is defective in materials or workmanship, or if during the expected lifetime of the Emerson Ceiling Fan (when used in accordance with the User Manual or other instructions) the motor is defective in materials or workmanship, you must contact Emerson during the applicable warranty period. If the defect is covered by warranty, Emerson will repair or replace the defective motor, component or other accessory at no charge to you. If repair of the motor, component or accessory is not practical or possible within a reasonable time and no replacement Emerson Ceiling Fan can be provided, Emerson will refund to you the actual purchase price of your Emerson Ceiling Fan. We will ship the repaired or the replacement Emerson Ceiling Fan to you at no charge, but you are responsible for all costs of removal and reinstallation of your Emerson Ceiling Fan.

How You Can Receive Warranty Service:

You must be the original retail purchaser and have proof of your purchase of the Emerson Ceiling Fan to obtain your remedy under this limited warranty. You can return your Emerson Ceiling Fan to your place of purchase, or you can call Emerson Customer Service at 1-800-237-6511 to obtain a return authorization and service identification tag. In order for us to confirm that your Emerson Ceiling Fan is still under warranty, please retain your receipt or other proof of purchase and have that information readily available when returning your Emerson Ceiling Fan to your place of purchase, or upon calling Emerson Customer Service. If you call Emerson Customer Service, prior to your call please be prepared to provide all model numbers shown on your Emerson Ceiling Fan. Once we have processed your return authorization request, we will provide you with a postage paid return label which should be affixed to the Emerson Ceiling Fan package you ship to the address listed at the end of this limited warranty. The return label will be sent to the mailing address you provide to us by phone.

What Is Not Covered:

This limited warranty does not extend to and expressly excludes:

- The glass globes and light bulbs of your Emerson Ceiling Fan,
- Loss or damage to the motor or any component or accessory caused by normal wear and tear, rather than due to defects in materials or workmanship,
- Loss or damage resulting from conditions beyond our reasonable control, including without limitation, repairs not made at our factory or authorized service center, use of parts or accessories not provided to you as part of this warranty by our factory or authorized service center, mishandling, unreasonable use, misuse, abuse, modifications or other damage caused by you or a third party to your Emerson Ceiling Fan while not in our possession,
- Loss or damage resulting from improper installation, or other failure to comply with instructions in your Owner's Manual.

This limited warranty is deemed null and void upon the occurrence of either of the following events:

- You cease to own the Emerson Ceiling Fan product, or
- The Emerson Ceiling Fan is moved from its original point of installation.

This limited warranty is only valid within the 50 United States, the District of Columbia, and Canada. No other written or oral warranties apply, and no employee, agent, dealer or other person is authorized to give any warranties on behalf of Air Comfort Products or Emerson Electric Co.

Limitation of Liability

REPAIR, REPLACEMENT OR A REFUND ARE THE EXCLUSIVE REMEDIES AVAILABLE TO YOU UNDER THIS LIMITED WARRANTY. TO THE EXTENT PERMITTED BY LAW, IN NO EVENT SHALL EMERSON OR ANY EMERSON AUTHORIZED DEALER BE LIABLE FOR ANY INCIDENTAL, SPECIAL, INDIRECT, OR CONSEQUENTIAL DAMAGES, INCLUDING ANY ECONOMIC LOSS, WHETHER RESULTING FROM NONPERFORMANCE, USE, MISUSE OR INABILITY TO USE THE EMERSON CEILING FAN OR FOR THE NEGLIGENCE OF EMERSON OR AN EMERSON AUTHORIZED DEALER. EMERSON SHALL NOT BE LIABLE FOR DAMAGES CAUSED BY DELAY IN PERFORMANCE AND IN NO EVENT, REGARDLESS OF THE FORM OF THE CLAIM OR CAUSE OF ACTION (WHETHER BASED IN CONTRACT, INFRINGEMENT, NEGLIGENCE, STRICT LIABILITY, OTHER TORT OR OTHERWISE), SHALL EMERSON'S OR ANY EMERSON AUTHORIZED AGENT'S LIABILITY TO YOU OR ANY INDIVIDUAL USING THE EMERSON CEILING FAN EXCEED THE PRICE PAID BY THE ORIGINAL OWNER FOR THE EMERSON CEILING FAN. The term "consequential damages" shall include, but not be limited to, loss of anticipated profits, business interruption, loss of use or revenue, cost of capital or loss or damage to property or equipment.

How State and Provincial Law Relates To The Warranty:

Some states and provinces do not allow the exclusion or limitation of incidental or consequential damages so the above exclusion or limitation may not apply to you. This limited warranty gives you specific legal rights, and you may also have other rights which vary from state to state or province to province.

SERIAL NUMBER: _____ **DATE CODE:** _____

The serial number of this fan can be found on the nameplate on top of the fan housing. The date code can be found on the carton and on top of the fan housing, stamped in ink on a white label. You should record this data above and keep it in a safe place for future use.



EMERSONTM

Air Comfort Products

DIVISION OF EMERSON ELECTRIC CO.
8100 W. Florissant • St. Louis, MO 63136

Questions, problems, missing parts: Before returning to the store call
Emerson Electric Customer Service
8 a.m. - 6 p.m., Eastern, Monday-Friday

1-800-654-3545

www.emersonfans.com

Retain this manual for future use.

Free Manuals Download Website

<http://myh66.com>

<http://usermanuals.us>

<http://www.somanuals.com>

<http://www.4manuals.cc>

<http://www.manual-lib.com>

<http://www.404manual.com>

<http://www.luxmanual.com>

<http://aubethermostatmanual.com>

Golf course search by state

<http://golfingnear.com>

Email search by domain

<http://emailbydomain.com>

Auto manuals search

<http://auto.somanuals.com>

TV manuals search

<http://tv.somanuals.com>