

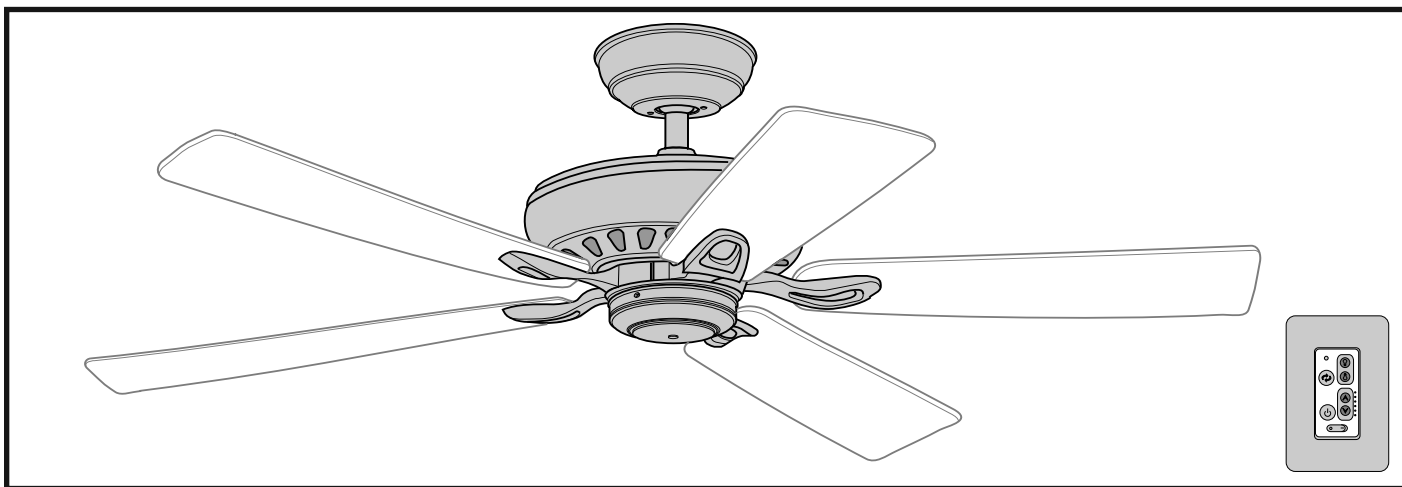
READ AND SAVE THESE INSTRUCTIONS

44", 54", 60" or 72"
Fan Blades Not Included



EMERSON™

TRANSITIONAL



PENBROOKE SELECT ECO Ceiling Fan Owner's Manual

Model Numbers

CF5200BS00 - Brushed Steel

CF5200ORB00 - Oil Rubbed Bronze

CF5200SW00 - Satin White



Net Weight: **21.2** Lbs.



Questions, problems, missing parts: Before returning to the store call
Emerson Electric Customer Service
8 a.m. - 6 p.m., Eastern, Monday-Friday

1-800-654-3545

www.emersonfans.com

- Español - página 31
- Français - page 61
- Form No. BP7511-1
- ETL Model No.: CF5200

Part No. F40BP75110001
Revision: 160204

Table of Contents

Section	Page	Section	Page
Safety Instructions	2	10. Using Your Ceiling Fan	23
1. Unpacking Instructions	3-4	11. Optional AL100 Accent Light Installation	24
2. Electrical Requirements	4	12. Maintenance	25
3. Ceiling Fan Assembly	5-9	13. Accessories	25
4. How to Hang Your Ceiling Fan	10-11	14. Energy Efficient Use of Ceiling Fan	25
5. How to Wire Your Ceiling Fan	12-14	15. Repair Parts	26-27
6. Final Assembly	15-16	16. Troubleshooting	28
7. Wall Control Procedures	17	Ceiling Fan Limited Warranty	29
8. Wall Control Installation	18-21	Spanish	31
9. Programming the Receiver Operating Frequency & High Speed Conditioning of Fan Control	22	French	61

READ AND SAVE THESE INSTRUCTIONS

Safety Instructions

⚠ WARNING

TO REDUCE THE RISK OF FIRE, ELECTRICAL SHOCK, OR INJURY TO PERSONS, OBSERVE THE FOLLOWING:

- a. Use this unit only in a manner intended by the manufacturer. If you have questions, contact the manufacturer.
- b. Before servicing or cleaning unit, switch power off at service panel and lock service panel disconnecting means to prevent power from being switched on accidentally. When the service disconnecting means cannot be locked, securely fasten a warning device, such as a tag, to the service panel.

1. Read your owner's manual carefully and keep it for future reference.
2. Be careful of the fan and blades when cleaning, painting, or working near the fan. Always turn off the power to the ceiling fan before servicing.
3. Do not put anything into the fan blades while they are turning.
4. Do not operate reversing switch until fan blades have come to a complete stop.

Additional Safety Instructions for Installation

1. To avoid possible shock, be sure electricity is turned off at the fuse box before wiring, and do not operate fan without blades.
2. All wiring must be in accordance with the National Electrical Code "ANSI/NFPA 70-2014" and Local Electrical Codes. Use the National Electrical Code if Local Codes do not exist. The ceiling fan must be grounded as a precaution against possible electrical shock. Electrical installation should be made or approved by a licensed electrician.

3. The outlet box and joist must be securely mounted and capable of reliably supporting at least 50 pounds. Use only U.L. outlet boxes listed as "Acceptable for Fan Support of 22.7 kg. (50 lbs.) or less", and use the mounting screws provided with the outlet box. Most outlet boxes commonly used for support of light fixtures are not acceptable for fan support and may need to be replaced. Consult a qualified electrician if in doubt.
4. The downrod furnished with the fan provides the minimum recommended floor to fan blade clearance for an 8 foot ceiling.
5. The fan must be mounted with the fan blades at least 7 feet from the floor to prevent accidental contact with the fan blades.
6. Follow the recommended instructions for the proper method of wiring your ceiling fan. If you do not know enough about electrical wiring, have your fan installed by a licensed electrician.

WARNING: To reduce the risk of electrical shock, this fan must be installed with an isolating wall control/ switch.

NOTE: This fan is suitable for use with solid-state speed controls.

WARNING: This product is designed to use only those parts supplied with this product and/or any accessories designated specifically for use this product by Emerson Electric Co. Substitution of parts or accessories not designated for use with this product by Emerson could result in personal injury or property damage.

WARNING: To reduce the risk of personal injury, do not bend the blade flange when installing the blade flanges, balancing the blades or cleaning the fan. Do not insert foreign objects in between rotating fan blades.

WARNING: To avoid fire, shock or injury, do not use an Emerson or any other brand of control not specifically approved for this fan.

NOTE: All setscrews must be checked and re-tightened where necessary before installation.

SERIAL NUMBER: _____ **DATE CODE:** _____

The serial number of this fan can be found on the nameplate on top of the fan housing. The date code can be found on the carton and on top of the fan housing, stamped in ink on a white label. You should record this data above and keep it in a safe place for future use.

1. Unpacking Instructions

⚠ WARNING
 Do not install or use fan if any part is damaged or missing. Call Toll-Free:
1-800-654-3545

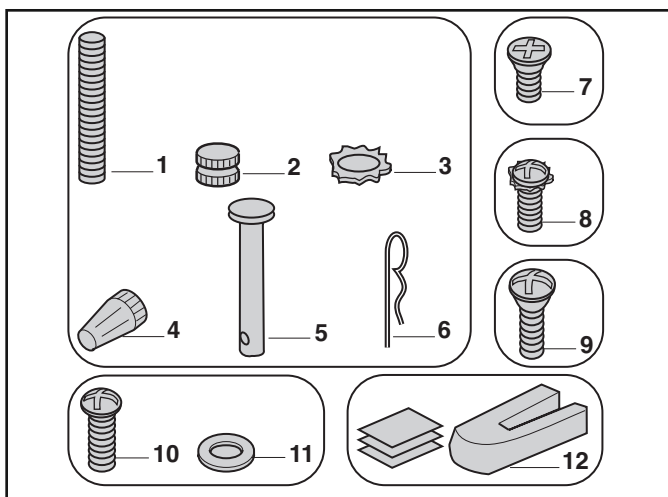
⚠ WARNING
 This product is designed to use only those parts supplied with this product and/or any accessories designated specifically for use with this product by Emerson Electric Co. Substitution of parts or accessories not designated for use with this product by Emerson Electric Co. could result in personal injury or property damage.

1.1

Check to see that you have received the following parts:
NOTE: If you are uncertain of part description, refer to exploded view illustration.

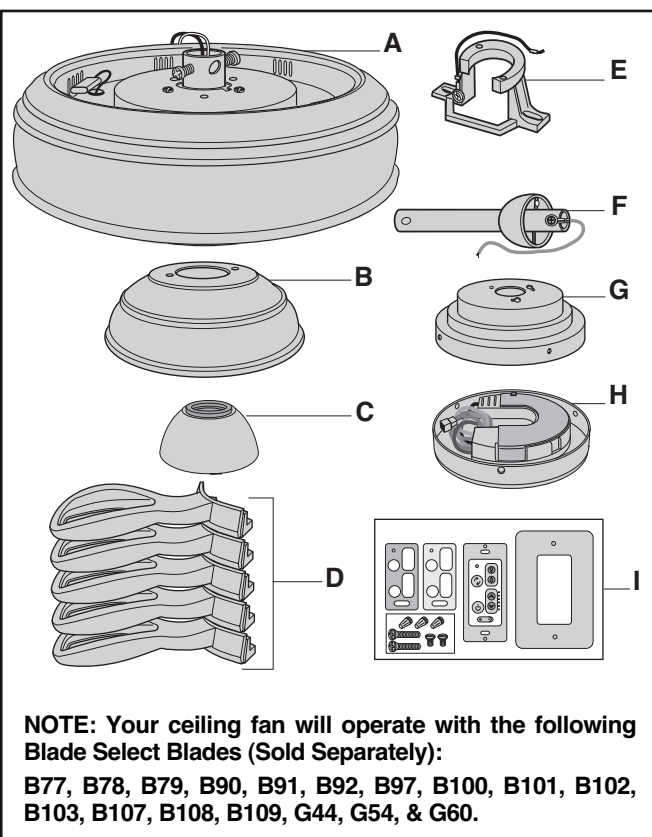
HARDWARE CONTENTS

Part	Description	Quantity
1	Threaded Studs, #8-32 x 1-1/4"	2
2	Knurled Knobs, #8-32	2
3	Lockwashers, External Tooth #8	2
4	Wire Connectors, 12 ga.	5
5	Clevis Pin	1
6	Hairpin Clip	1
7	Flat Head Screws, #6-32 x 3/8"	4
8	Round Head Screw with Lockwasher #6-32 x 3/8" (Spare)	1
9	Oval Head Screws, #10-32 x 5/8"	11
10	Round Head Screws, #10-24 x 12mm	21
11	Flat Washers, #10	21
12	Blade Balance Kit	1



PACKAGE CONTENTS

Part	Description	Quantity
A	Fan Motor & Housing Assembly	1
B	Ceiling Cover	1
C	Motor Coupler Cover	1
D	Blade Flanges	5
E	Hanger Bracket	1
F	Hanger Ball / 4.5" Downrod Assembly	1
G	Switch Cup Adapter	1
H	Switch Cup Assembly	1
I	SW605 Wall Control	1



NOTE: Place the parts from the loose parts bags in a small container to keep them from being lost. If any parts are missing, contact your local retailer or catalog outlet for replacement before proceeding.

1.2

Remove the fan motor assembly from the protective plastic bag. Place the fan assembly into the lower foam pad with the top of the motor facing up. The lower foam pad serves as a holder for the fan during assembly.

1. Unpacking Instructions (continued)

This Manual Is Designed to Make it as Easy as Possible for You to Assemble, Install, Operate and Maintain Your Ceiling Fan

Tools Needed for Assembly

One Phillips Head Screwdriver One Stepladder
One 1/4" Blade Screwdriver One Wire Stripper

Materials

Wiring outlet box and box connectors must be of type required by the local code. The minimum wire would be a 3-conductor (2-wire with ground) of following size:

<u>Installed Wire Length</u>	<u>Wire Size A.W.G.</u>
Up to 50 ft.	14
50-100 ft.	12

Your Emerson Ceiling Fan comes supplied with a SW605 Fan Wall Control and a installed DC receiver. This system allows you to regulate your ceiling fan speed.

This Emerson Ceiling Fan may be used with the following accessories: SR600 Remote Control.

WARNING

Before assembling your ceiling fan, refer to section on proper method of wiring your fan (page 12). If you feel you do not have enough wiring knowledge or experience, have your fan installed by a licensed electrician.

2. Electrical Requirements

Your new ceiling fan will require a grounded electrical supply line of 120 volts AC, 60 Hz, 15 amp circuit.

WARNING

To reduce the risk of fire, electric shock, or personal injury, mount fan to outlet box marked "Acceptable for Fan Support of 22.7 kg. (50 lbs.) or less", and use screws supplied with outlet box. Most outlet boxes commonly used for support of light fixtures are not acceptable for fan support and may need to be replaced. Consult a qualified electrician if in doubt.

WARNING

Turning off wall switch is not sufficient. To avoid possible electrical shock, be sure electricity is turned off at the main fuse box before wiring. All wiring must be in accordance with National and Local codes and the ceiling fan must be properly grounded as a precaution against possible electrical shock.

The outlet box must be securely anchored and capable of withstanding a load of at least 50 pounds.

If your fan is to replace an existing ceiling light fixture, turn electricity off at the main fuse box at this time and remove the existing light fixture.

WARNING

To avoid fire or shock, follow all wiring instructions carefully.

Any electrical work not described in these instructions should be done or approved by a licensed electrician.

Please call Emerson technical support at 1-800-654-3545 if you have any questions about installation and operation of this ceiling fan.

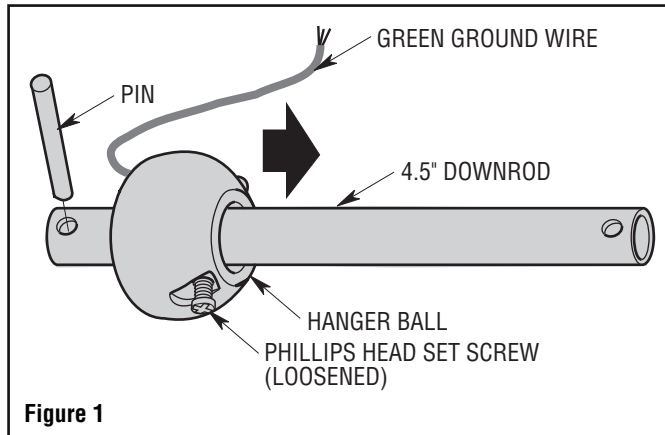
3. Ceiling Fan Assembly

3.1

Remove the hanger ball by loosening the Phillips head set screw in the hanger ball until the ball falls freely down the downrod (Figure 1).

Remove the pin from the downrod, then remove the hanger ball (Figure 1).

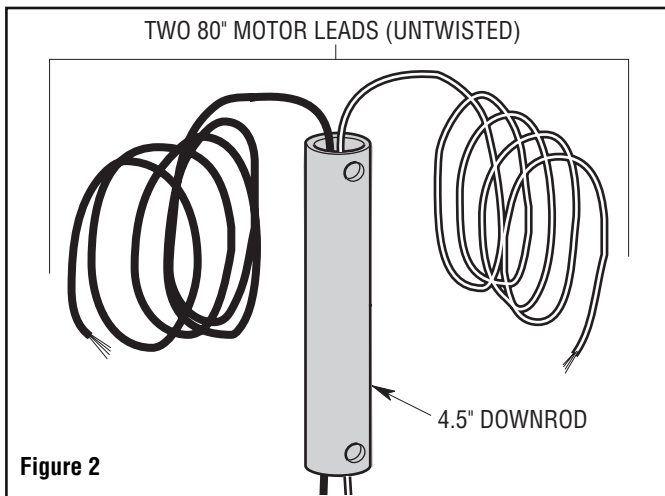
Retain the pin and hanger ball for reinstallation in Step 3.7.



3.2

Separate, untwist and unkink the two 80" motor leads.

Route the two motor leads through the downrod (Figure 2).

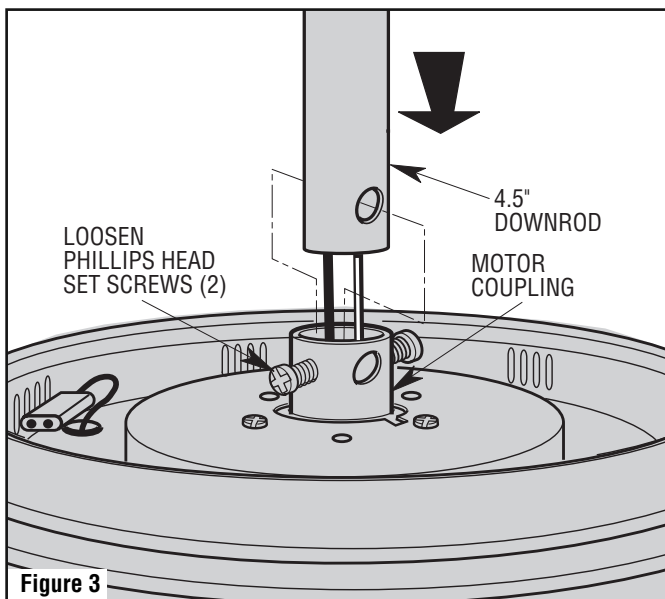


3.3

Loosen the two Phillips head set screws in the motor coupler for installation of the downrod (Figure 3).

Seat the 4.5" downrod in the motor coupler (Figure 3).

Rotate and align the downrod holes with all the holes in the motor coupler (Figure 3).



3. Ceiling Fan Assembly (Continued)

3.4

Align the clevis pin holes in the downrod with the holes in the motor coupler.

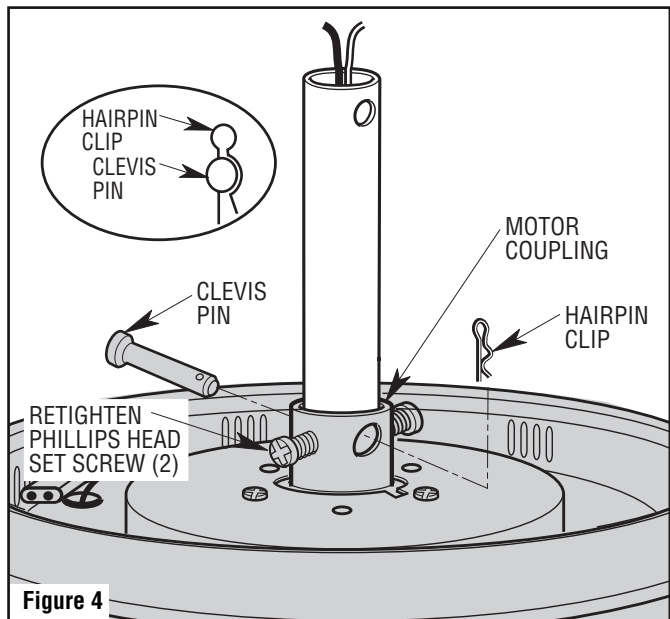
Install the clevis pin and secure with the hairpin clip (Figure 4).

The clevis pin must go through the holes in the motor coupler. It is critical that the clevis pin in the motor coupler is properly installed and securely tightened.

Retighten the Phillips head screws to secure the downrod to the motor (Figure 4).

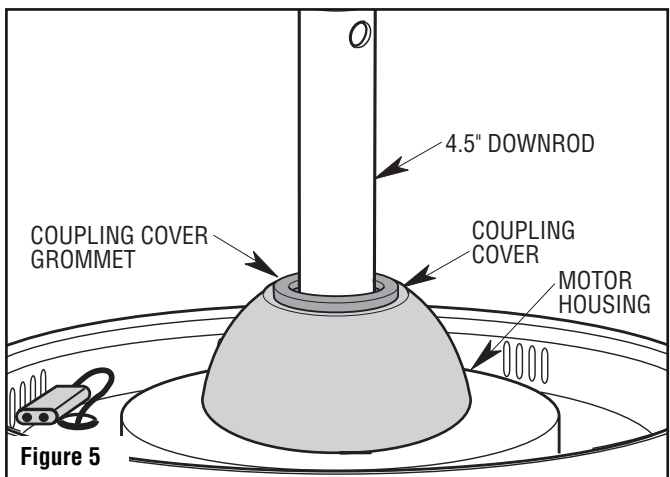
WARNING

It is critical that the clevis pin and setscrews in the motor coupler are properly installed and securely tightened. Failure to verify that the pin and setscrews are properly installed could result in the fan falling.



3.5

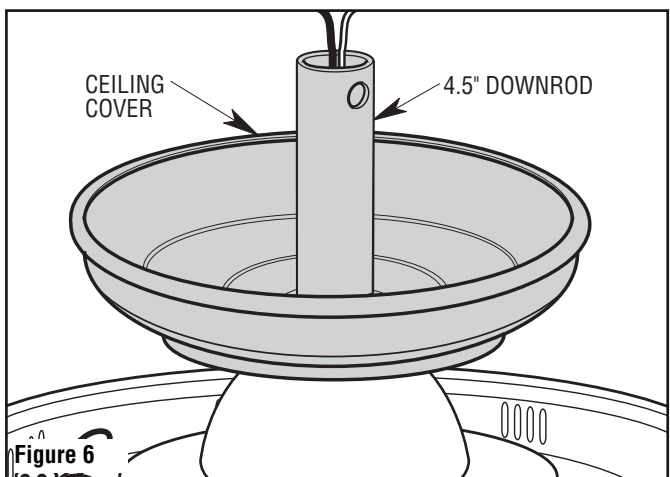
Make sure the grommet is properly installed in the coupling cover, then slide the coupling cover on the downrod until it rests on the motor housing (Figure 5).



3.6

Place the ceiling cover over the downrod (Figure 6).

Be sure that the ceiling cover and the coupling cover are both oriented correctly (Figure 6).



3. Ceiling Fan Assembly (Continued)

3.7

Route the two motor leads through the hanger ball (Figure 7).

Reinstall the hanger ball on the downrod as follows:

Position the pin through the two holes in the downrod and align the hanger ball so the pin is captured in the groove in the top of the hanger ball (Figure 7).

Pull the hanger ball up tight against the pin and securely retighten the Phillips head screw in the hanger ball (Figure 7).

A loose Phillips head screw could create fan wobble.

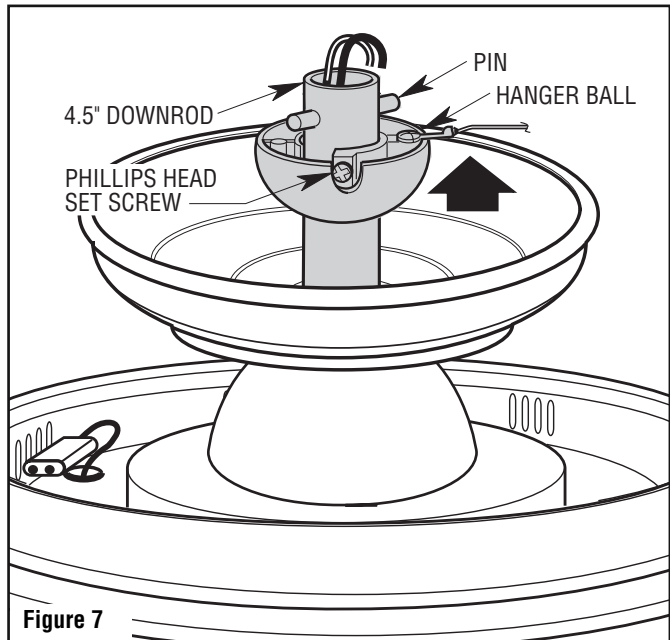


Figure 7

3.8

The fan comes with black and white leads that are 80\" long.

Measure up approximately 6 to 9-inches above top of hanger ball/4.5\" downrod assembly (Figure 8).

Cut off excess leads and strip back insulation 1/2-inch from end of leads.

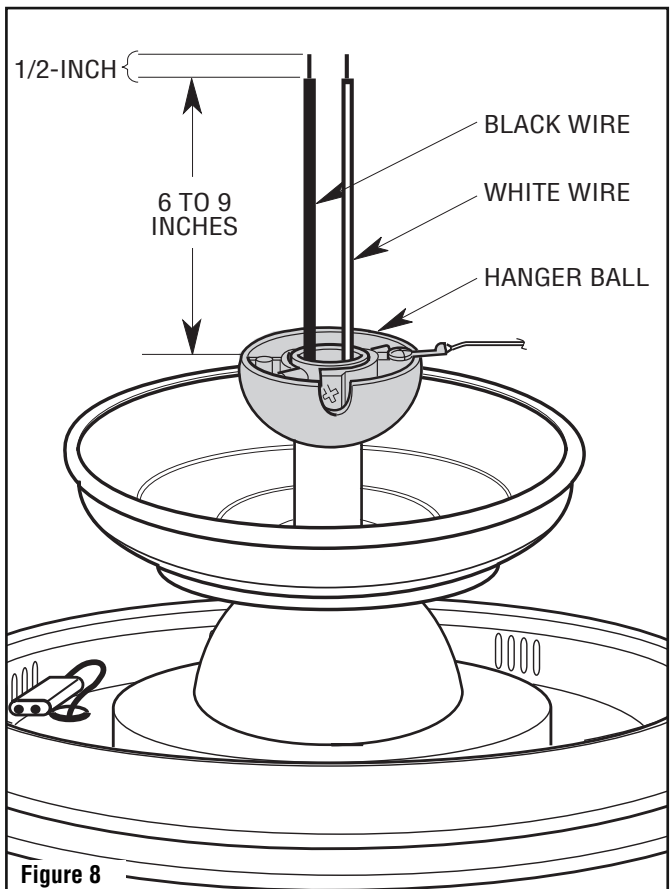


Figure 8

3. Ceiling Fan Assembly (Continued)

3.9

Carefully turn the partially assembled ceiling fan upside down, place the ceiling fan onto the two carton styrofoam pieces, in preparation for final assembly (Figure 9).

Remove each of the ten spacer screws and five rubber shipping spacers from the motor hub before installation of blade assemblies (Figure 9).

Discard the five rubber shipping spacers and ten spacer screws.

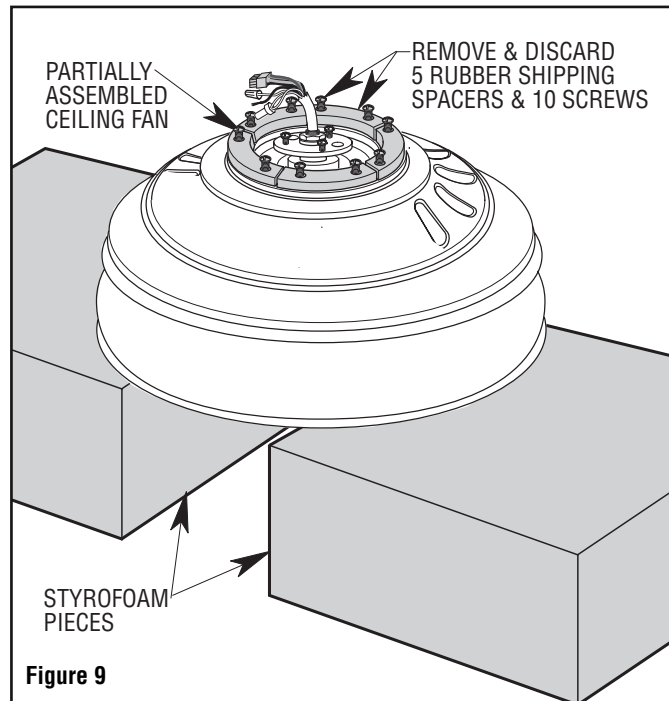


Figure 9

3.10

NOTE: Your ceiling fan will operate with the following Blade Select Blades (Sold Separately):

B77, B78, B79, B90, B91, B92, B97, B100, B101, B102, B103, B107, B108, B109, G44, G54, & G60.

Mount the fan blade (sold separately) using the four #10-24 x 12mm round head screws and flat washers (supplied in parts bag) to secure flange to blade (Figure 10).

Repeat for the remaining four blades.

Make sure all screws are tighten securely in the fan blade and flange.

NOTE: Some accessory blades are supplied with shorter screws. These shorter screws MUST be used to assemble the blades to flanges.

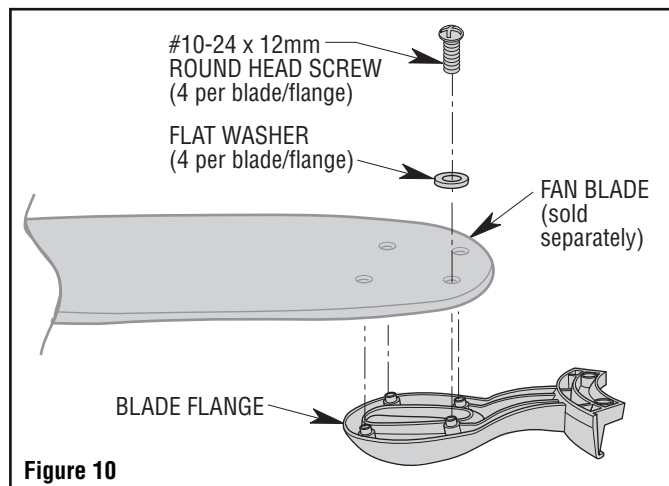


Figure 10

3. Ceiling Fan Assembly (Continued)

3.11

Loosely attach one blade/flange assembly to the motor hub by securing the two #10-32 x 5/8" oval head screws (supplied in parts bag) (Figure 11).

Install remaining blade assemblies in the same way. Gently snug all flange screws to the motor hub, working around the hub in a clockwise sequence.

The blade flanges have an interlocking feature that must be fully engaged before tightening the screw. Make sure all the flanges are properly engaged and then tighten the flange screws. If one of the flanges does not seat properly on the motor hub, loosen the adjacent flange screws, re-engage and reseal the flanges, then tighten the screws again.

NOTE: Take care not to scratch fan housing when installing blades.

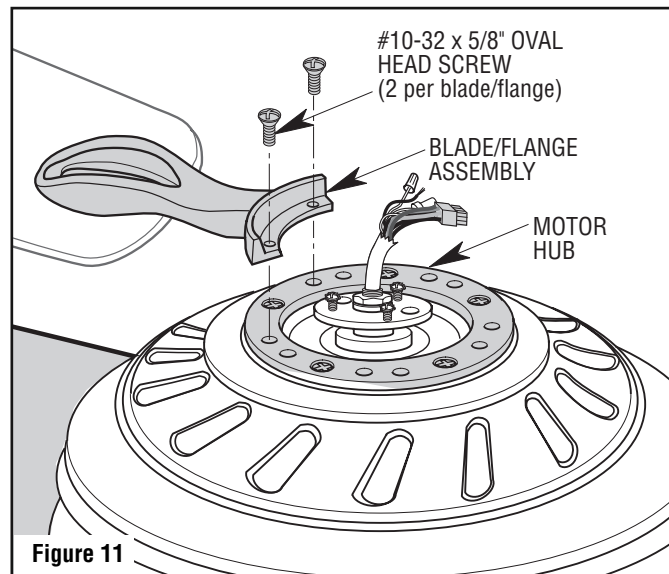


Figure 11

WARNING

To reduce the risk of personal injury, do not bend the blade flange when installing the blade flanges, balancing the blades or cleaning the fan. Do not insert foreign objects in between rotating fan blades.

4. How to Hang Your Ceiling Fan

⚠ WARNING

The fan must be hung with at least 7' of clearance from floor to blades (Figure 12).

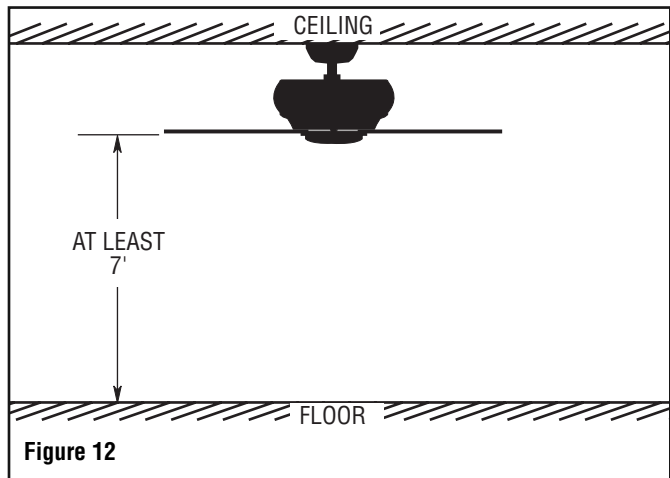


Figure 12

⚠ WARNING

The outlet box and joist must be securely mounted and capable of supporting at least 50 lbs. Use only a U.L. outlet box listed as “Acceptable for Fan Support of 22.7 kg. (50 lbs.) or less”.

⚠ WARNING

To reduce the risk of fire, electric shock, or personal injury, mount fan to outlet box marked “Acceptable for Fan Support of 22.7 kg. (50 lbs.) or less”, and use screws supplied with outlet box. Most outlet boxes commonly used for support of light fixtures are not acceptable for fan support and may need to be replaced. Consult a qualified electrician if in doubt.

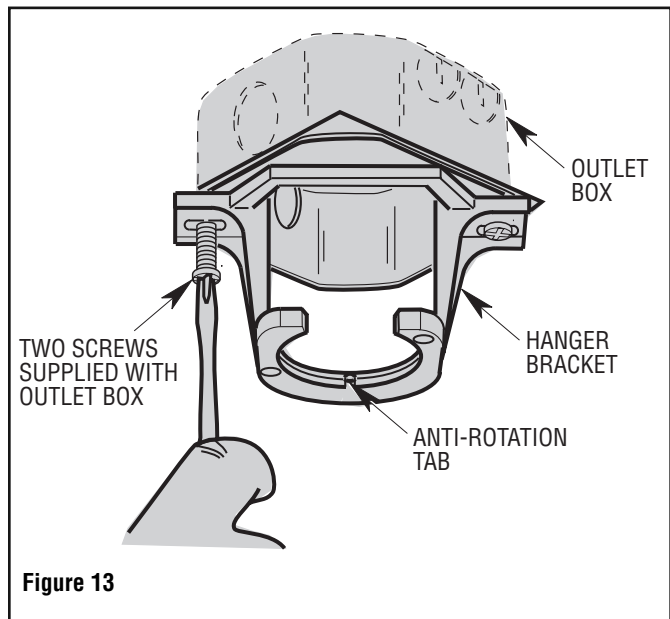


Figure 13

4.1

Securely attach the hanger bracket to the outlet box using the two screws supplied with the outlet box. (Figure 13).

⚠ WARNING

Hanger bracket must seat firmly against outlet box. If the outlet box is recessed, remove wall board until bracket contacts box. If bracket and/or outlet box are not securely attached, the fan could wobble or fall.

4. How to Hang Your Ceiling Fan (Continued)

4.2

Carefully lift the fan and seat the hanger ball/downrod assembly on the hanger bracket that was just attached to the outlet box (Figure 14).

Be sure the groove in the ball is engaged with the anti-rotation tab on the hanger bracket (Figure 14).

WARNING

Failure to seat tab in groove could cause damage to electrical wires and possible shock or fire hazard.

WARNING

To avoid possible fire or shock, do not pinch wires between the hanger ball/downrod assembly and hanger bracket.

NOTE: CEILING COVER, SUPPLY WIRES AND FAN WIRES OMITTED FOR CLARITY.

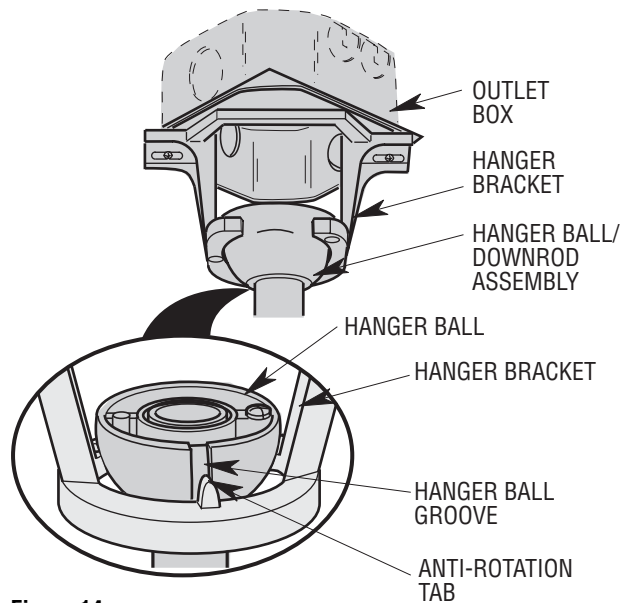


Figure 14

5. How to Wire Your Ceiling Fan

If you feel that you do not have enough electrical wiring knowledge or experience, have your fan installed by a licensed electrician.

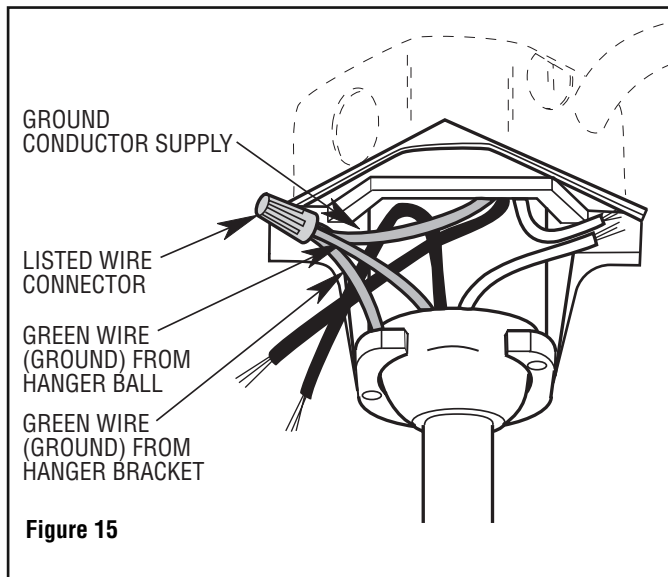
WARNING

To avoid possible electrical shock, be sure electricity is turned off at the main fuse box before wiring.

NOTE: If you are not sure if the outlet box is grounded, contact a licensed electrician for advice, as it must be grounded for safe operation.

5.1

Connect the green grounding lead from the hanger ball and the green grounding lead from the hanger bracket to the grounding conductor of supply (this may be a bare wire or wire with green colored insulation). Securely connect wires with wire connectors (supplied) (Figure 15).

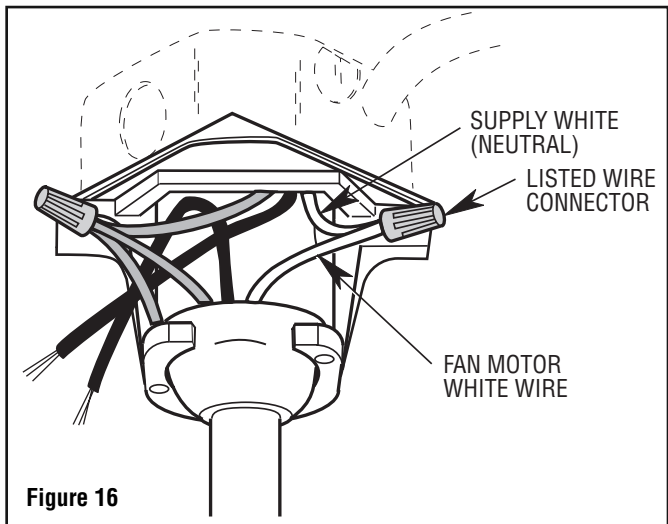


WARNING

This product is designed to use only those parts supplied with this product and/or any accessories designated specifically for use with this product by Emerson Electric Co. Substitution of parts or accessories not designated for use with this product by Emerson Electric Co. could result in personal injury or property damage.

5.2

Securely connect the fan motor white wire to the supply white (neutral) wire using wire connector (supplied) (Figure 16).



5. How to Wire Your Ceiling Fan (Continued)

5.3

Securely connect the fan motor black wire to the supply black (hot) wire using wire connector (supplied) (Figure 17).

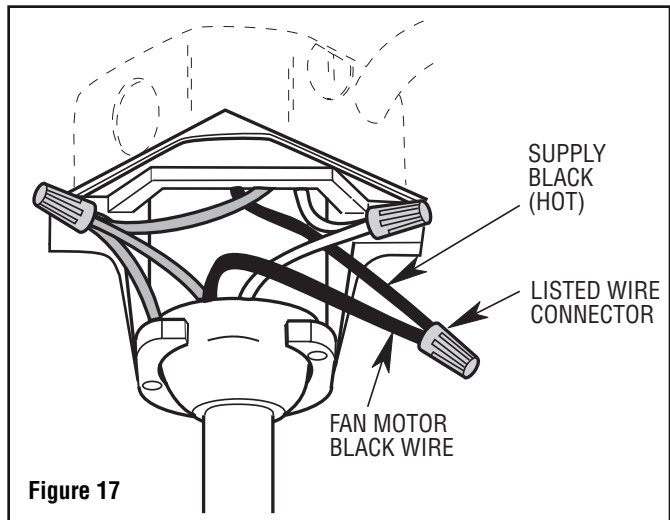


Figure 17

5.4

After connections have been made, turn leads upward and carefully push leads into the outlet box, with the white and green leads on one side of the outlet box and position the black lead on the other side of the outlet box (Figure 18).

⚠ WARNING

Check to see that all connections are tight, including ground, and that no bare wire is visible at the wire connectors, except for the ground wire. Do not operate fan until blades are in place. Noise and fan damage could result.

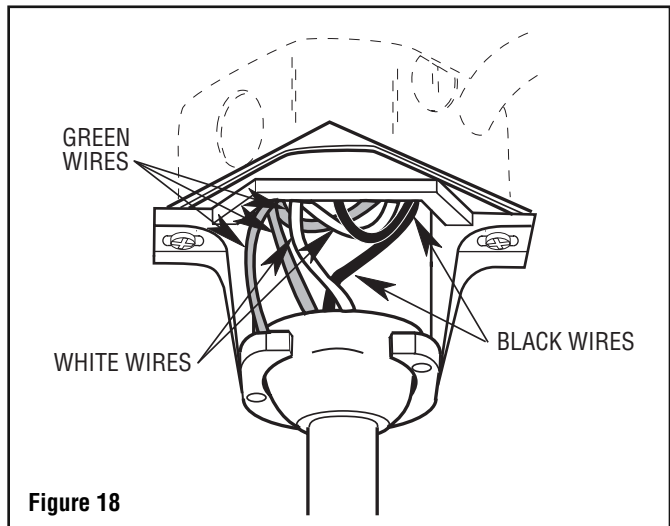


Figure 18

5. How to Wire Your Ceiling Fan (Continued)

5.5

Screw the two threaded studs (supplied) into the tapped holes in the hanger bracket (Figure 19).

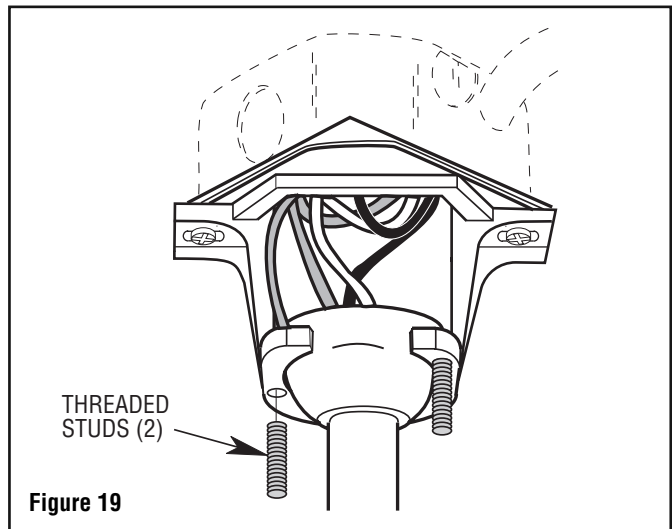


Figure 19

5.6

Lift the ceiling cover up to the threaded studs and turn until studs protrude through the holes in the ceiling cover (Figure 20).

Secure the ceiling cover in place by sliding lockwashers over the threaded studs and installing the two knurled knobs (supplied). (Figure 20).

Tighten the knurled knobs securely until the ceiling cover fits snugly against the ceiling and the hole in the ceiling cover is clear of the downrod.

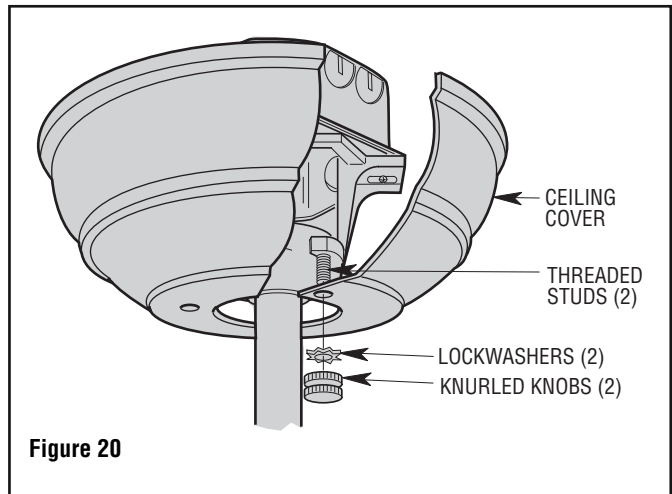


Figure 20



WARNING

To avoid possible fire or shock, make sure that the electrical wires are completely inside the outlet box and not pinched between the ceiling cover and the ceiling.

6. Final Assembly

6.1

Remove one #6-32 x 3/8" round head screw with lockwasher from the motor hub and retain for later use (Figure 21).

Loosen the other two #6-32 x 3/8" round head screws with lockwashers on the motor hub for the installation of the switch housing adapter (Figure 21).

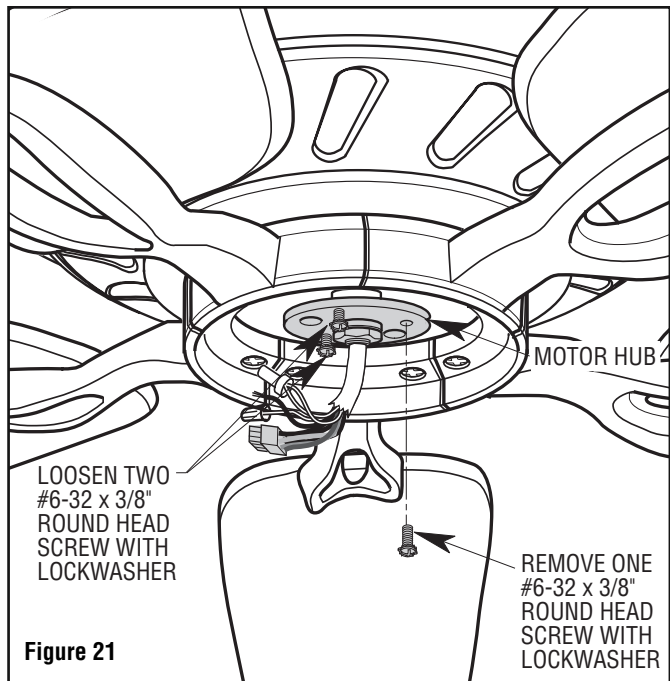


Figure 21

6.2

Place the motor hub connector through the center hole of the switch housing adapter.

Place the switch housing adapter onto the motor hub, aligning the three screw holes.

Rotate the switch housing adapter key hole slots counter-clockwise to engage both loosened screws (Figure 22).

Reinstall the previous removed #6-32 x 3/8" round head screw with lockwasher (Figure 22).

Secure the switch housing to the motor hub by tightening the three switch housing screws.

Spare #6-32 x 3/8" round head screw with lockwasher supplied in parts bag.

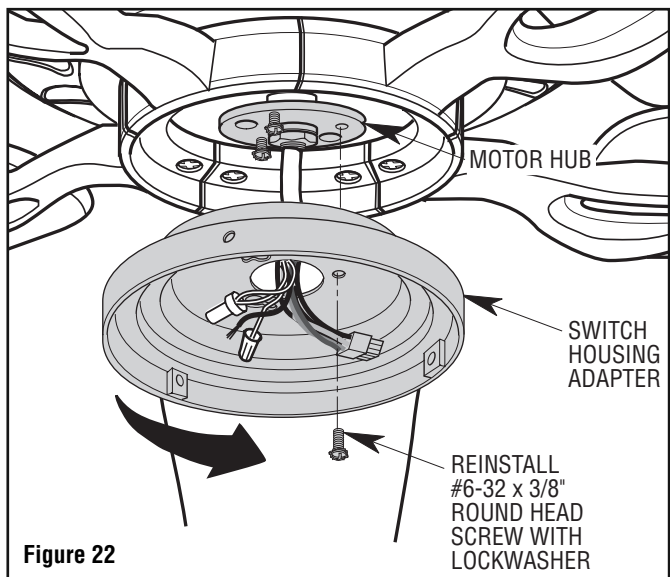


Figure 22

6. Final Assembly (Continued)

6.3

The switch housing assembly connector and the motor hub connector are keyed and color-coded and must be mated correctly (same color-to-color) before they can be engaged.

Engage the connector of the switch housing assembly with the motor hub connector (Figure 23).

Make sure the connector latch closes properly.

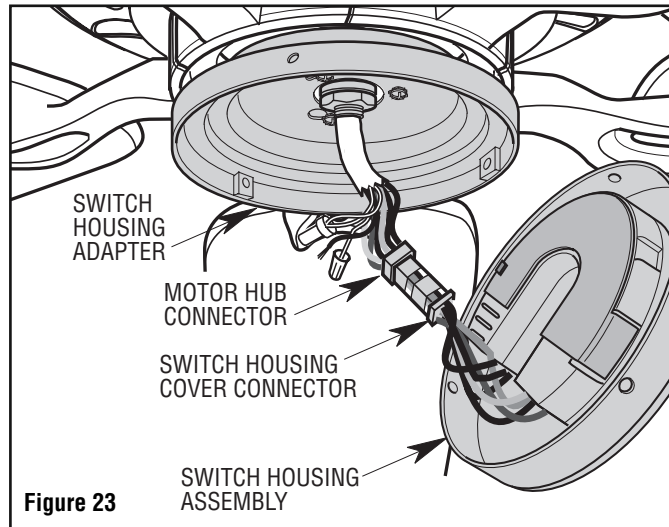


Figure 23

6.4

Tuck all the wires and connectors into the switch housing adapter.

Align the three screw holes of the switch housing assembly.

Secure the switch housing assembly to the switch housing adapter using the three #6-32 x 3/8" flat head screws (supplied in parts bag) (Figure 24).

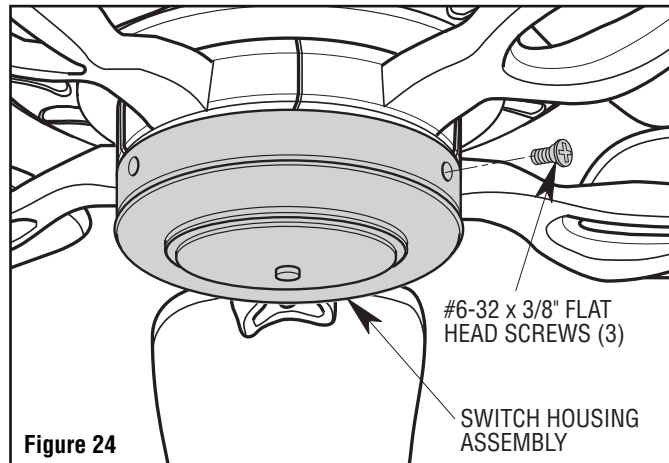


Figure 24

7. Wall Control Procedures

7.1

Your Emerson Ceiling Fan/Light Control consists of wall mounted transmitter and a receiver which is mounted under the fan ceiling cover. The remote control is designed to separately control your ceiling fan speed and light intensity.

Code switches in the transmitter and receiver may be set in 32 different positions. If your fan and light go on and off without using your control, you may be getting interference from other remote units such as garage door openers, car alarms or security systems. To remedy this situations, simply change the combination code in your transmitter and receiver.

7.2

Your wall control has code switches which must be set in one of 32 possible code combinations (Figure 25). The five levers (numbered 1, 2, 3, 4, and 5) on the switches are factory-set in the ON (up) position. Change the switch settings as follows:

NOTE: Do not duplicate the code of an existing control of an installed ceiling fan within 100 feet.

7.3

Slide the five switch levers in the wall control to your choice of ON (up) or down positions. Use a ball-point pen or small screwdriver and slide the levers firmly up or down.

7.4

The sixth switch marked ON and I is for dimming control of lights: Set switch to ON to allow for dimming of the lights. Set switch to I for no dimming of the lights such as for fluorescent bulbs and non-dimming CFLs.

7.5

Preset Memory Feature: Your Emerson receiver is equipped with a preset memory feature. If the AC supply to the receiver is powered through a wall switch, when the switch is turned OFF, the control will remember the light intensity and fan speed. When the switch is turned back ON the light and fan will resume operation as they were prior to the switch being turned OFF.

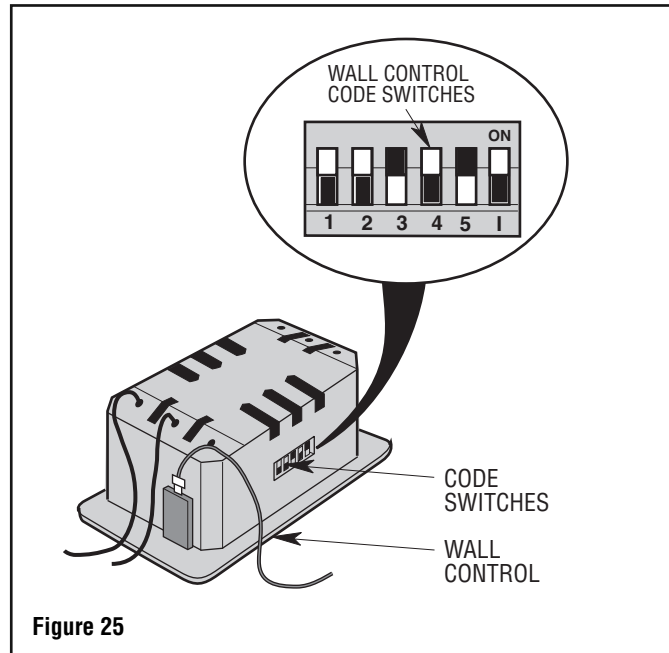


Figure 25

8. Wall Control Installation

8.1

WARNING

Turning off wall switch is not sufficient. To avoid possible electrical shock, be sure electricity is turned off at the main fuse or circuit breaker box before wiring. All wiring must be in accordance with National and Local codes and the ceiling fan must be properly grounded as a precaution against possible electrical shock.

This control is designed to operate only one ceiling fan

NOTE: Electric connections should be in accordance with the National Electrical Codes and all Local Codes. Before starting, disconnect power to the circuit at the fuse box or circuit breaker panel.

Remove the faceplate and screws from the existing wall switch. Pull switch out from wall outlet box.

Disconnect the wire from the existing fan wall switch (Figure 26).

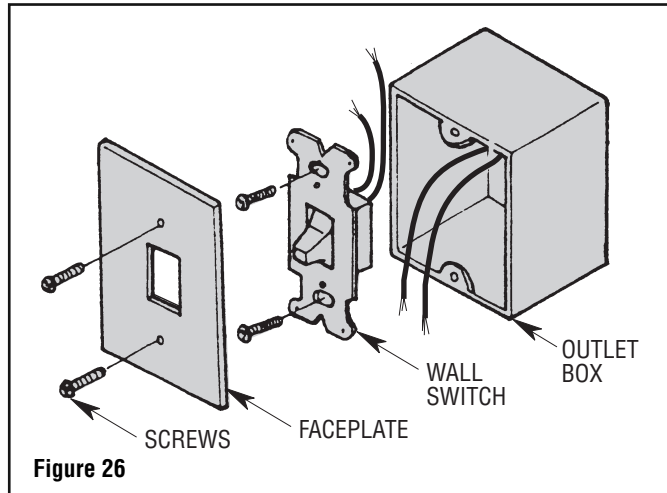


Figure 26

SINGLE-POLE INSTALLATION

CAUTION: To reduce the risk of electrical shock, disconnect the electrical supply circuit before installing the fan, light kit or receiver.

NOTE: Make all wiring connections using wire connectors (supplied). Make sure that all connections are tight, including ground, and that no bare wire is visible at the wire connectors, except for the ground wire.

8.2

Disconnect electrical power to the branch circuit at the circuit breaker or fuse box before attempting to install the ceiling fan wall control into the outlet box.

8.3

Remove faceplate and screws from existing wall control. Pull control out from the wall box. Determine the "hot" wire and the "load" wire and disconnect these wires from control (Figure 27). Do not attempt to disconnect any wires not already connected to existing control.

WARNING

Turning off wall switch is not sufficient. To avoid possible electrical shock, be sure electricity is turned off at the main fuse or circuit breaker box before wiring. All wiring must be in accordance with National and Local codes and the ceiling fan must be properly grounded as a precaution against possible electrical shock.

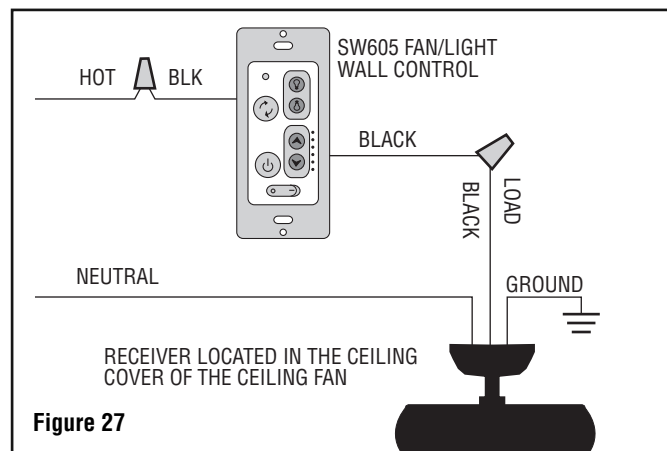


Figure 27

8. Wall Control Installation (Continued)

8.4

Before installing wall control, place wall control in “OFF” mode by pushing “ON/OFF” switch to the “OFF” position.

8.5

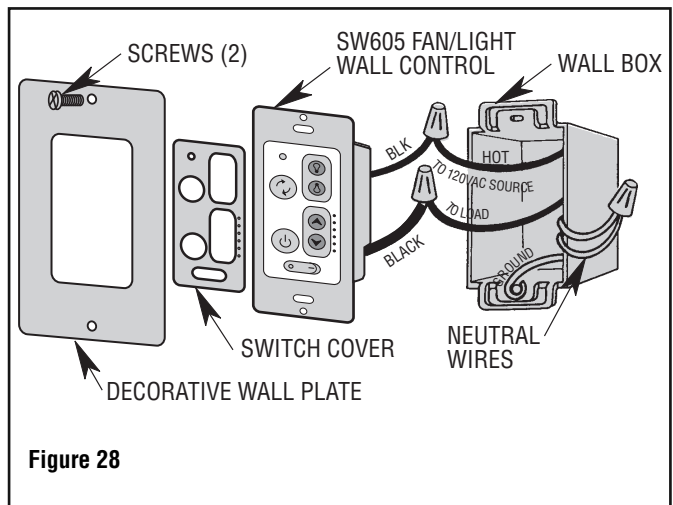
Connect one black wire of wall control to the “hot” wire. Securely connect wires with wire connectors supplied (Figure 28).

8.6

Connect one black wire of wall switch to the “load” (black) wire in wall box. Securely connect wires with wire connector supplied.

8.7

Screw wall control into wall box using the supplied screws. Leave wall control in “OFF” mode until fan installation is completed.



⚠ WARNING

Check to see that all connections are tight and that no bare wires are visible at the wire connectors.

8.8

The wall control is supplied with a white, ivory, and almond color switch covers. Choose the finish that best suits your needs and snap the cover onto the wall control (Figure 28).

8.9

Install decorator wall plate using the two screws provided with wall plate. Leave wall control in “OFF” mode until fan installation is completed (Figure 28).

⚠ WARNING

Do not connect any neutral (white) wire to this control. Incorrect wiring will damage this control.

8. Wall Control Installation (Continued)

3-WAY INSTALLATION

(One fan controlled by two different wall controls) (See Figures 29 and 30).



WARNING

Turning off wall switch is not sufficient. To avoid possible electrical shock, be sure electricity is turned off at the main fuse or circuit breaker box before wiring. All wiring must be in accordance with National and Local codes and the ceiling fan must be properly grounded as a precaution against possible electrical shock.

8.10

Disconnect electrical power to the branch circuit at the circuit breaker or fuse box before attempting to install the ceiling fan wall control into the outlet box.

8.11

At all wall box locations remove faceplates and screws from existing controls. Pull controls out from wall boxes and determine which wall box contains the “hot” lead and which wall box contains the “load” wire. Also, identify traveler wires which are common to both wall boxes. Disconnect wires from existing controls only. Do not attempt to disconnect any wires not already connected to existing controls.

8.12

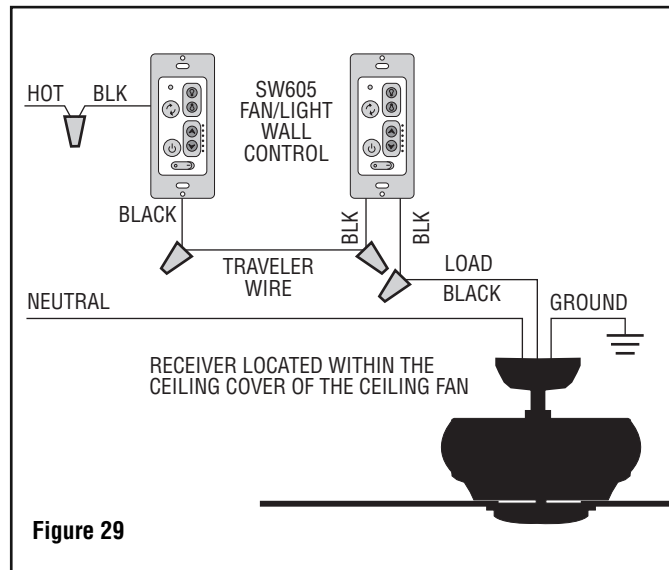
Before installing wall control, place wall control in “OFF” mode by pushing “ON/OFF” switch to the “OFF” position.

8.13

Install a wall control in the wall box containing the “hot” wire first. Connect the black wire of the wall control to the “hot” wire. Securely connect wires with wire connectors supplied.

8.14

Connect one black wire of the wall control to both remaining traveler wires in the wall box and secure with wire connector supplied.



8. Wall Control Installation (Continued)

3-WAY WIRING DIAGRAM: NEW CONSTRUCTION

NOTE: Retrofit 3-way installations are likely to include two traveler wires between the two wall boxes. In new construction, only one traveler wire is required (See Figure 30).

WARNING

Check to see that all connections are tight and that no bare wires are visible at the wire connectors.

8.15

Screw the SW605 wall control into wall box using the supplied screws. Leave wall control in "OFF" mode until fan installation is completed.

8.16

Next, install the other SW605 wall control into the wall box containing the load wire. Connect the black wire of the SW605 wall control to the traveler wire(s) already connected to the black wire (in the other wall box). Secure with wire connectors supplied.

8.17

Connect one black wire of the SW605 wall control to the "load" (black) wire and secure with wire connector supplied.

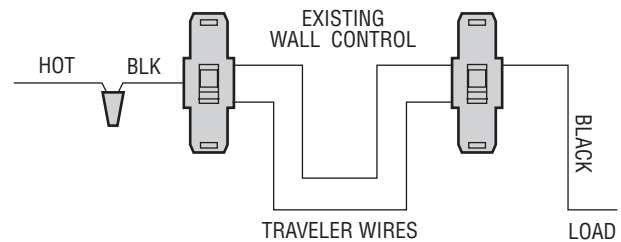
8.18

Connect one black wire of the SW605 wall control to both remaining traveler wires in the wall box and secure with wire connector supplied.

8.19

Screw the SW605 wall control into wall boxes using the supplied screws. Leave the SW605 wall control in "OFF" mode until fan installation is completed.

STANDARD WIRING FOR EXISTING 3-WAY CONTROLS



3-WAY WIRING DIAGRAM: RETROFIT

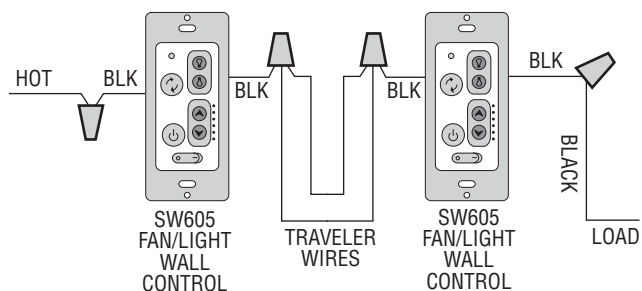


Figure 30

8.20

The SW605 wall control is supplied with a white, ivory, and almond color switch covers. Choose the finish that best suits your needs and snap the cover onto the SW605 wall control (Refer to Figure 28).

8.21

Install decorator wall plates using the two screws provided with wall plate. Leave the SW605 wall control in "OFF" mode until fan installation is completed (Refer to Figure 28).

9. Programming the Receiver Operating Frequency & High Speed Conditioning of Fan Control

-- Important - Read This Section Carefully and Follow the High Speed Conditioning Instructions Closely --

PROGRAMMING THE RECEIVER OPERATING FREQUENCY & HIGH SPEED CONDITIONING OF FAN CONTROL

IMPORTANT: Ceiling fan blades MUST be installed before high speed conditioning can begin.

NOTE: If using a 3-way switch installation, ensure that both wall controls are using the same switch code.

9.1

Turn the wall switch ON/OFF switch to the "OFF" position.

Restore electricity to the ceiling fan branch circuit at the circuit breaker or fuse box

Flip the SW605 wall control's ON/OFF switch to "ON" position.

Within one minute of flipping the switch to "ON", push and hold the FAN OFF button (⏻) for 3 to 5 seconds to set the code in the receiver. The ceiling fan lights (if installed) will blink to indicate the SW605 wall control code has been paired with the receiver.

IMPORTANT: Immediately after successful pairing, the ceiling fan will automatically begin high speed conditioning of the motor. During conditioning, the electronic motor control software is calculating speeds for the 2nd through 5th speed settings based on the blades that were installed on the fan.

9.2

The fan will run for approximately 1 minute in the upward direction then reverse direction to down flow and run an additional 1 minute. When conditioning is complete, the fan will come to complete stop.

IMPORTANT: Do not interrupt the conditioning until the fan comes to a complete stop in approximately 5 minutes. All functions of the control will be rejected during conditioning.

9.3

High speed conditioning is now complete.

9.4

If programming is unsuccessful, retry the above instructions after cycling the SW605 wall control ON/OFF switch to restart the 1 minute programming time period.

9.5

If still unsuccessful, shut off the electricity at the fuse box or breaker panel and change the SW605 wall control frequency (page 17). After changing the frequency settings, repeat instructions 1 - 5 of this section within one minute of restoring the electricity.

10. Using Your Ceiling Fan

⚠ WARNING

Fan installation must be completed, including the installation of the fan blades, before testing the remote control.

Your wall control has full control of your fan and light (Figure 31).

10.1

To set the desired fan speed, press the (▼) button to decrease the speed and the (▲) to increase the speed. The LED display will light up to indicate the new speed selected.

10.2

To turn the light on and off, press and release the LIGHT (💡) button. To set the light intensity, press and hold the LIGHT (💡) button. The light will turn on at the light intensity previously selected (Figure 31).

10.3

If airflow is desired in the opposite direction, press the (↻) button on the wall control. The fan must be operating at any speed for the reverse button to function. The blades will turn in the opposite direction and reverse the airflow.

10.4

Your wall control comes complete with your choice of three wall cover plates: ivory, white or light almond.

10.5

Your fan is now wired to be turned on and off from the fan switch.

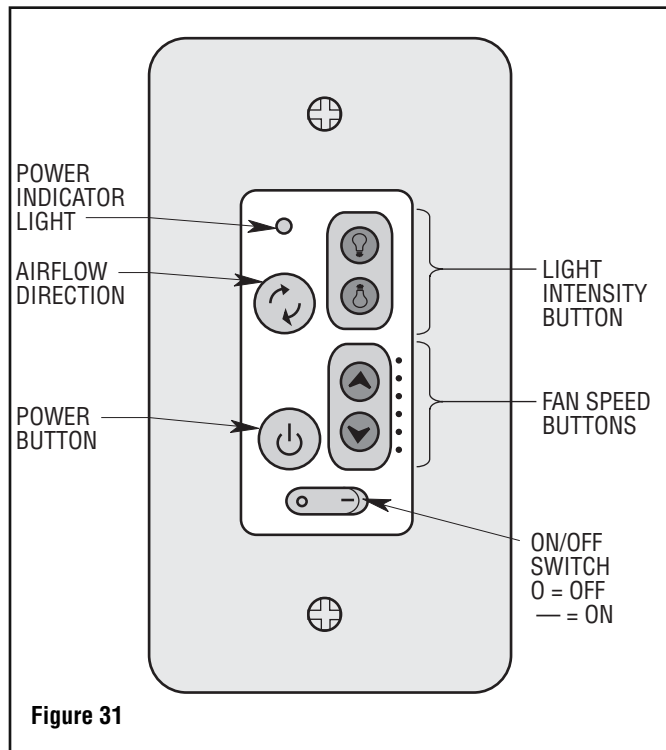


Figure 31

11. Optional AL100 Accent Light Installation

11.1

CAUTION: To reduce the risk of electric shock, disconnect the electrical supply circuit to the fan before installing light kit assembly.

Position the AL100 accent light so that the opening of the AL100 accent light slides through the downrod. Align the mounting holes of the AL100 accent light to the motor assembly (Figure 32).

NOTE: Be sure the AL100 accent light connector is located close to the motor assembly connector for ease of installation.

Engage the AL100 accent light connector to the motor assembly 2-pin connector (Figure 32).

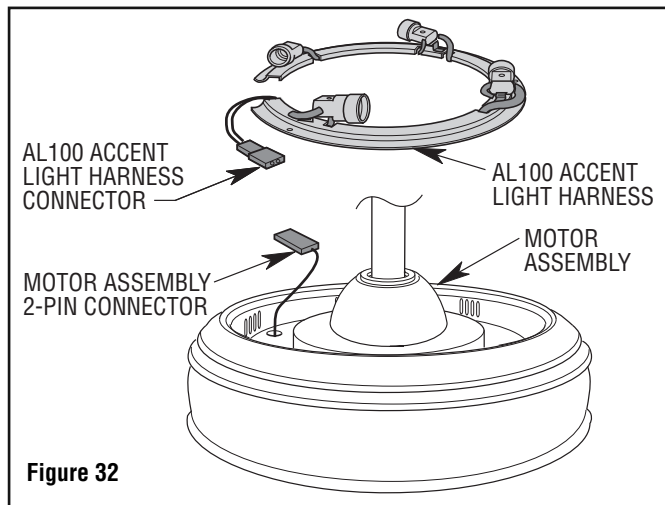


Figure 32

11.2

Install the AL100 accent light to the motor assembly using three AL100 accent light mounting screws (supplied with accent light) (Figure 33).

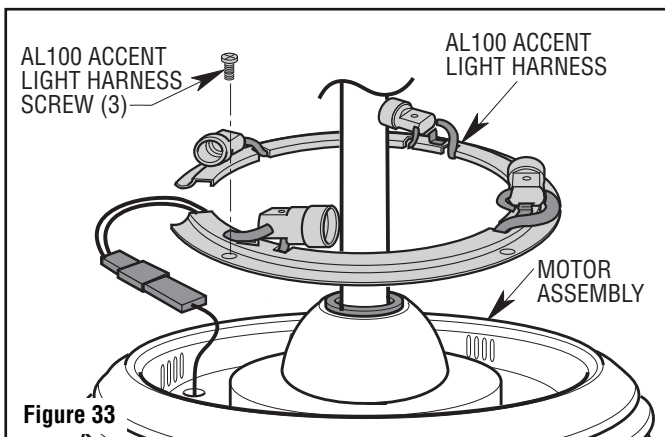


Figure 33

11.3

Securely connect the AL100 accent light connector to the motor assembly connector (Figure 34).

Screw the four 25-watt candelabra base bulbs (supplied) into the AL100 accent light sockets (Figure 34).

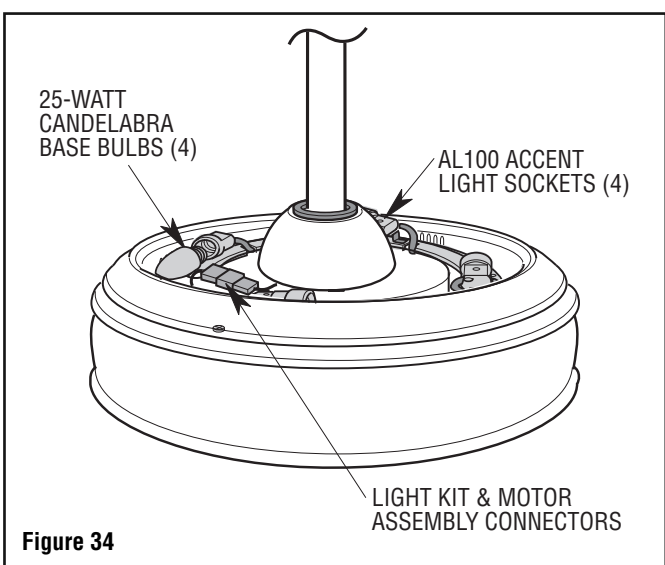


Figure 34

12. Maintenance

IMPORTANT CARE INSTRUCTIONS for your Ceiling Fan

Periodic cleaning of your new ceiling fan is the only maintenance that is needed.

When cleaning, use only a soft brush or lint free cloth to avoid scratching the finish.

Abrasive cleaning agents are not required and should be avoided to prevent damage to finish.

WARNING

Do not use water when cleaning your ceiling fan. It could damage the motor or the blades and create the possibility of an electrical shock.

13. Accessories

See your local Emerson dealer, www.emersonfans.com or the Emerson Ceiling Fan catalog for these accessories:

- Ceiling Fan Controls
- Downrod Extension Kits

WARNING

The use of any other control not specifically approved for this fan could result in fire, shock and personal injury.

WARNING

This product is designed to use only those parts supplied with this product and/or any accessories designated specifically for use with this product by Emerson Electric Co. Substitution of parts or accessories not designated for use with this product by Emerson Electric Co. could result in personal injury or property damage.

14. Energy Efficient Use of Ceiling Fans

Ceiling fan performance and energy savings rely heavily on the proper installation and use of the ceiling fan. Here are a few tips to ensure quality and product performance.

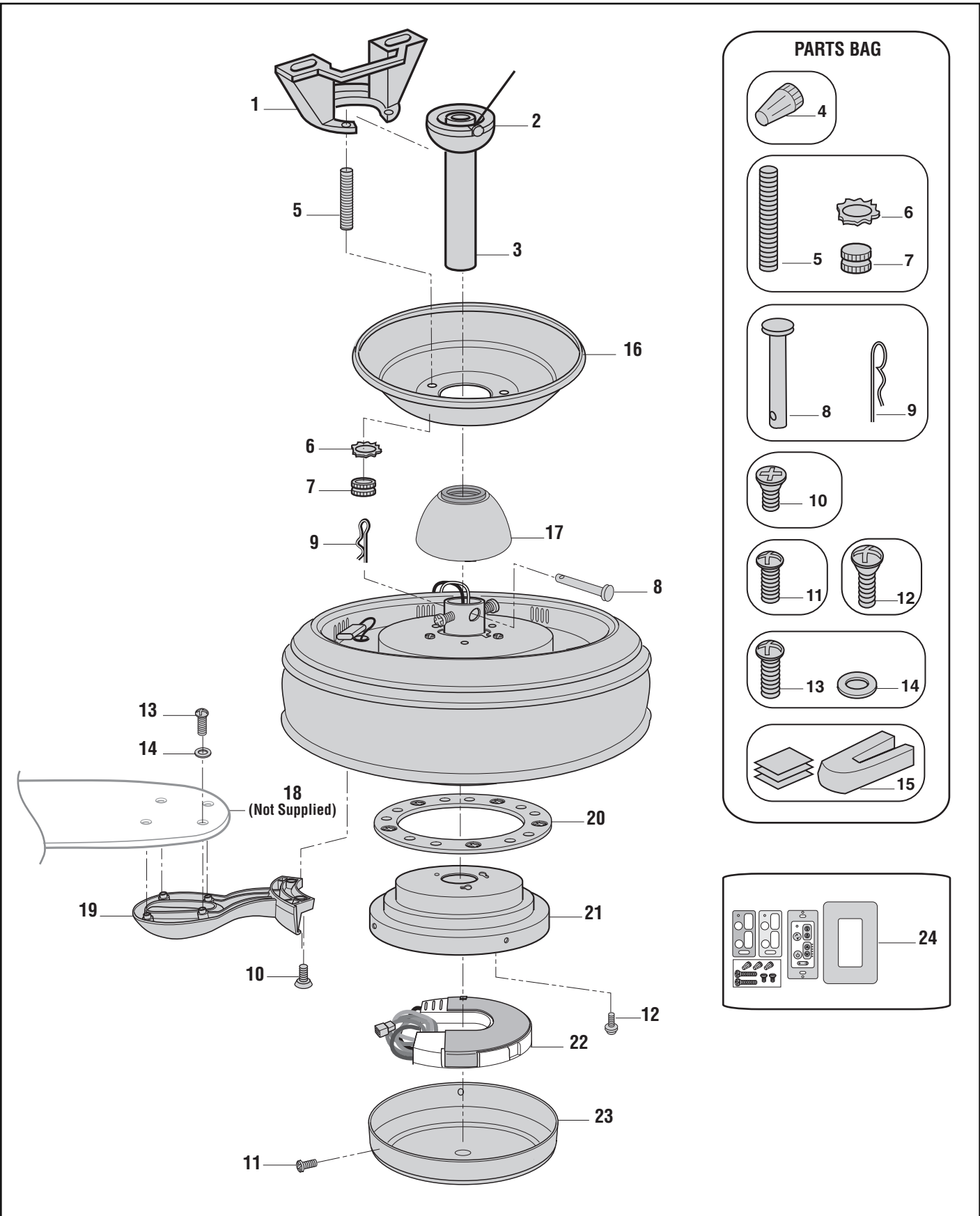
Choosing the Appropriate Mounting Location. Ceiling fans should be installed, or mounted, in the middle of the room and at least 2.1 m above the floor and 46 cm from the walls. If ceiling height allows, install the fan 2.5 m - 2.75 m above the floor for optimal airflow. Consult your Emerson Retailer for optional mounting accessories.

Using the Ceiling Fan Year Round. In the summer, use the ceiling fan in the counter-clockwise direction. The

airflow produced by the ceiling fan creates a wind-chill effect, making you "feel" cooler. Select a fan speed that provides a comfortable breeze, lower speeds consume less energy. In the winter, reverse the motor and operate the ceiling fan at low speed in the clockwise direction. This produces a gentle updraft, which forces warm air near the ceiling down into the occupied space. Remember to adjust your thermostat when using your ceiling fan - additional energy and dollar savings could be realized with this simple step!

Turn Off When Not in the Room. Ceiling fans cool people, not rooms. If the room is unoccupied, turn off the ceiling fan to save energy.

15. Repair Parts



15. Repair Parts Listing

Key No.	Description	Model Numbers		
		CF5200BS00	CF5200ORB00	CF5200SW00
*	Hanger Ball Assembly, Consisting of:	761655-17	761655-32	761655-92
1	Hanger Bracket (1)	—	—	—
2	Hanger Ball (1)	—	—	—
3	4.5" Downrod (1)	—	—	—
*	Parts Bag Containing:	764754-CRM	764754-BLX	764754-SW
4	Wire Connectors (5)	—	—	—
5	Studs, Threaded, #8-32 x 1-1/4" (2)	—	—	—
6	Lockwashers, External Tooth, #8 (2)	—	—	—
7	Knobs, Knurled, #8-32 (2)	—	—	—
8	Pin, Clevis (1)	—	—	—
9	Clip, Hairpin (1)	—	—	—
10	Oval Head Screws, #10-32 x 5/8" (11)	—	—	—
11	Flat Head Screws, #6-32 x 3/8" (4)	—	—	—
12	Round Head Screw with Lockwasher #6-32 x 3/8" (1)	—	—	—
13	Round Head Screws, #10-24 x 12mm (21)	—	—	—
14	Flat Washers, #10 (21)	—	—	—
15	Blade Balancing Kit (1)	—	—	—
16	Ceiling Cover (1)	764411-BS	764411-ORB	764411-SW
17	Motor Coupler Cover (1)	764751-BS	764751-ORB	764751-SW
18	Fan Blades (Sold Separately)	*	*	*
19	Blade Flanges (5)	764415-BS	764415-ORB	764415-SW
20	Hub Spacer (1)	764728-BLK	764728-BLK	764728-SW
21	Switch Housing Adapter (1)	764729-BS	764729-ORB	764729-SW
22	Motor Control, Receiver (1)	764752	764752	764752
23	Switch Housing Assembly (1)	764419-BS	764419-ORB	764419-SW
24	Wall Control, Transmitter (1)	SW605	SW605	SW605
—	Owner's Manual	BP7511-1	BP7511-1	BP7511-1

Before discarding packaging material, be certain all parts have been removed.

HOW TO ORDER REPAIR PARTS

WHEN ORDERING REPAIR PARTS, ALWAYS GIVE THE FOLLOWING INFORMATION:

- PART NUMBER
- NAME OF ITEM
- PART DESCRIPTION
- MODEL NUMBER

The model number of your Fan will be found on a label attached to the top housing.

For repair parts, phone 1-800-654-3545.

emersonfans.com
Please contact 1-800-654-3545 for further assistance
ETL Model No.: CF5200

16. Troubleshooting

⚠ WARNING: FOR YOUR OWN SAFETY TURN OFF POWER AT FUSE BOX OR CIRCUIT BREAKER BEFORE TROUBLESHOOTING YOUR FAN.

TROUBLE	PROBABLE CAUSE	SUGGESTED REMEDY
1. Fan will not start.	1. Loose power line connections to the fan, or loose switch wire connections in the switch housing assembly.	1. Check line wire connections to fan and switch wire connections in the switch housing assembly. ⚠ WARNING: Make sure main power is turned OFF.
2. Fan sounds noisy.	1. Blades not attached to fan. 2. Wire connectors inside switch housing assembly are rattling. 3. Screws holding blade/flange assembly to motor hub are loose.	1. Attach blades to fan before operating. 2. Check to make sure wire connectors in switch housing assembly are not rattling against each other or against the interior wall of the switch housing assembly. ⚠ WARNING: Make sure main power is turned OFF. 3. Tighten screws securely.
3. Fan wobbles excessively.	1. Phillips head set screws in motor coupler are loose. 2. Phillips head set screw in hanger ball/downrod assembly is loose. 3. Screws securing fan blades to motor hub are loose. 4. Hanger bracket and/or ceiling outlet box is not securely fastened.	1. Tighten both Phillips head set screws securely in the motor coupler. 2. Tighten the Phillips head set screw in the hanger ball/downrod assembly. 3. Check to be sure screws which attach the fan blades to the motor hub are tight. 4. Tighten the hanger bracket screws to the outlet box, and/or secure outlet box.

INSTRUCTION TO THE USER (if device contains a digital device)

This equipment has been tested and found to comply with the limits for a class B digital device, pursuant to part 15 of the FCC Rules. These limits are designed to provide reasonable protection against harmful interference in a residential installation. This equipment generates, uses and can radiate radio frequency energy and if not installed and used in accordance with the instructions, may cause harmful interference to radio communications. However, there is no guarantee that interference will not occur in a particular installation. If this equipment does cause harmful interference to radio or television reception, which can be determined by turning the equipment off and on, the user is encouraged to try to correct the interference by one or more of the following measures:

- Reorient or relocate the receiving antenna.
- Increase the separation between the equipment and receiver.
- Connect the equipment into an outlet on a circuit different from that to which the receiver is connected.
- Consult the dealer or an experienced radio/TV technician for help.

This equipment has been certified to comply with the limits for a class B computing device, pursuant to FCC Rules. In order to maintain compliance with FCC regulations, shielded cables must be used with this equipment. Operation with non-approved equipment or unshielded cables is likely to result in interference to radio and TV reception. The user is cautioned that changes and modifications made to the equipment without the approval of manufacturer could void the user's authority to operate this equipment.

This Class B digital apparatus meets all requirements of the Canadian Interference-Causing Equipment Regulations.

Emerson Air Comfort Ceiling Fan Limited Warranty

What The Limited Warranty Covers:

This limited warranty is offered by Air Comfort Products division of Emerson Electric Co. ("Emerson" "we" or "us") located at the address stated below to the original retail purchaser ("you" or "your") of an Emerson Air Comfort Ceiling Fan product ("Emerson Ceiling Fan") and covers the motor and the other components and accessories of the Emerson Ceiling Fan against all defects in workmanship and materials.

What The Period Of Coverage Is:

This limited warranty will cover the Emerson Ceiling Fan motor for the expected lifetime of your Emerson Ceiling Fan (when operated in accordance with your Owner's Manual or other instructions provided by Emerson to you with the Emerson Ceiling Fan). All other components and accessories of the Emerson Ceiling Fan are covered by this limited warranty for a period of one (1) year from its date of original retail purchase. ANY IMPLIED WARRANTY, INCLUDING WITHOUT LIMITATION, ANY IMPLIED WARRANTY OF MERCHANTABILITY OR FITNESS FOR A PARTICULAR PURPOSE THAT IS AVAILABLE TO YOU UNDER THE LAWS OF YOUR STATE OR PROVINCE SHALL COVER THE MOTOR FOR THE EXPECTED LIFETIME OF THE MOTOR (SUBJECT TO PROPER USE), AND FOR ONE YEAR WITH RESPECT TO COMPONENTS AND ACCESSORIES.

No Other Express or Implied Warranty Applies:

THE LIMITED WARRANTIES PROVIDED ABOVE ARE THE SOLE AND EXCLUSIVE WARRANTIES PROVIDED BY EMERSON TO YOU FOR YOUR EMERSON CEILING FAN, AND ARE IN LIEU OF ALL OTHER WARRANTIES, WRITTEN OR ORAL, EXPRESS OR IMPLIED, WHETHER ARISING BY OPERATION OF LAW OR OTHERWISE, WHETHER OR NOT THE PURPOSE HAS BEEN DISCLOSED AND WHETHER OR NOT THE EMERSON CEILING FAN HAS BEEN SPECIFICALLY DESIGNED OR MANUFACTURED FOR YOUR USE OR PURPOSE. EMERSON HEREBY DISCLAIMS ANY AND ALL IMPLIED WARRANTIES, INCLUDING WITHOUT LIMITATION, IMPLIED WARRANTIES OF MERCHANTABILITY OR FITNESS FOR A PARTICULAR PURPOSE FOR COMPONENTS AND ACCESSORIES AS OF THE EXPIRATION OF THE ONE YEAR WARRANTY PERIOD FOR SUCH COMPONENTS AND ACCESSORIES. IMPLIED WARRANTIES OF MERCHANTABILITY OR FITNESS FOR A PARTICULAR PURPOSE FOR THE MOTOR PORTION OF THE EMERSON CEILING FAN ARE LIKEWISE DISCLAIMED BY EMERSON AT SUCH TIME THAT THE EXPECTED LIFETIME OF THE EMERSON CEILING FAN UNDER NORMAL USAGE HAS BEEN REACHED. EXCLUSIONS OR LIMITATIONS OF IMPLIED WARRANTIES MAY VARY FROM STATE TO STATE AND PROVINCE TO PROVINCE SO THE ABOVE LIMITATIONS MAY NOT APPLY TO YOU.

What We Will Do To Correct Problems:

If during the one (1) year warranty period the motor or any component or accessory of your Emerson Ceiling Fan is defective in materials or workmanship, or if during the expected lifetime of the Emerson Ceiling Fan (when used in accordance with the User Manual or other instructions) the motor is defective in materials or workmanship, you must contact Emerson during the applicable warranty period. If the defect is covered by warranty, Emerson will repair or replace the defective motor, component or other accessory at no charge to you. If repair of the motor, component or accessory is not practical or possible within a reasonable time and no replacement Emerson Ceiling Fan can be provided, Emerson will refund to you the actual purchase price of your Emerson Ceiling Fan. We will ship the repaired or the replacement Emerson Ceiling Fan to you at no charge, but you are responsible for all costs of removal and reinstallation of your Emerson Ceiling Fan.

How You Can Receive Warranty Service:

You must be the original retail purchaser and have proof of your purchase of the Emerson Ceiling Fan to obtain your remedy under this limited warranty. You can return your Emerson Ceiling Fan to your place of purchase, or you can call Emerson Customer Service at 1-800-237-6511 to obtain a return authorization and service identification tag. In order for us to confirm that your Emerson Ceiling Fan is still under warranty, please retain your receipt or other proof of purchase and have that information readily available when returning your Emerson Ceiling Fan to your place of purchase, or upon calling Emerson Customer Service. If you call Emerson Customer Service, prior to your call please be prepared to provide all model numbers shown on your Emerson Ceiling Fan. Once we have processed your return authorization request, we will provide you with a postage paid return label which should be affixed to the Emerson Ceiling Fan package you ship to the address listed at the end of this limited warranty. The return label will be sent to the mailing address you provide to us by phone.

What Is Not Covered:

This limited warranty does not extend to and expressly excludes:

- The glass globes and light bulbs of your Emerson Ceiling Fan,
- Loss or damage to the motor or any component or accessory caused by normal wear and tear, rather than due to defects in materials or workmanship,
- Loss or damage resulting from conditions beyond our reasonable control, including without limitation, repairs not made at our factory or authorized service center, use of parts or accessories not provided to you as part of this warranty by our factory or authorized service center, mishandling, unreasonable use, misuse, abuse, modifications or other damage caused by you or a third party to your Emerson Ceiling Fan while not in our possession,
- Loss or damage resulting from improper installation, or other failure to comply with instructions in your Owner's Manual.

This limited warranty is deemed null and void upon the occurrence of either of the following events:

- You cease to own the Emerson Ceiling Fan product, or
- The Emerson Ceiling Fan is moved from its original point of installation.

This limited warranty is only valid within the 50 United States, the District of Columbia, and Canada. No other written or oral warranties apply, and no employee, agent, dealer or other person is authorized to give any warranties on behalf of Air Comfort Products or Emerson Electric Co.

Limitation of Liability

REPAIR, REPLACEMENT OR A REFUND ARE THE EXCLUSIVE REMEDIES AVAILABLE TO YOU UNDER THIS LIMITED WARRANTY. TO THE EXTENT PERMITTED BY LAW, IN NO EVENT SHALL EMERSON OR ANY EMERSON AUTHORIZED DEALER BE LIABLE FOR ANY INCIDENTAL, SPECIAL, INDIRECT, OR CONSEQUENTIAL DAMAGES, INCLUDING ANY ECONOMIC LOSS, WHETHER RESULTING FROM NONPERFORMANCE, USE, MISUSE OR INABILITY TO USE THE EMERSON CEILING FAN OR FOR THE NEGLIGENCE OF EMERSON OR AN EMERSON AUTHORIZED DEALER. EMERSON SHALL NOT BE LIABLE FOR DAMAGES CAUSED BY DELAY IN PERFORMANCE AND IN NO EVENT, REGARDLESS OF THE FORM OF THE CLAIM OR CAUSE OF ACTION (WHETHER BASED IN CONTRACT, INFRINGEMENT, NEGLIGENCE, STRICT LIABILITY, OTHER TORT OR OTHERWISE), SHALL EMERSON'S OR ANY EMERSON AUTHORIZED AGENT'S LIABILITY TO YOU OR ANY INDIVIDUAL USING THE EMERSON CEILING FAN EXCEED THE PRICE PAID BY THE ORIGINAL OWNER FOR THE EMERSON CEILING FAN. The term "consequential damages" shall include, but not be limited to, loss of anticipated profits, business interruption, loss of use or revenue, cost of capital or loss or damage to property or equipment.

How State and Provincial Law Relates To The Warranty:

Some states and provinces do not allow the exclusion or limitation of incidental or consequential damages so the above exclusion or limitation may not apply to you. This limited warranty gives you specific legal rights, and you may also have other rights which vary from state to state or province to province.

emersonfans.com

Please contact 1-800-654-3545 for further assistance

ETL Model No.: CF5200



EMERSON™

Air Comfort Products

DIVISION OF EMERSON ELECTRIC CO.
8100 W. Florissant • St. Louis, MO 63136

Questions, problems, missing parts: Before returning to the store call
Emerson Electric Customer Service
8 a.m. - 6 p.m., Eastern, Monday-Friday

1-800-654-3545

www.emersonfans.com

Retain this manual for future use.

Free Manuals Download Website

<http://myh66.com>

<http://usermanuals.us>

<http://www.somanuals.com>

<http://www.4manuals.cc>

<http://www.manual-lib.com>

<http://www.404manual.com>

<http://www.luxmanual.com>

<http://aubethermostatmanual.com>

Golf course search by state

<http://golfingnear.com>

Email search by domain

<http://emailbydomain.com>

Auto manuals search

<http://auto.somanuals.com>

TV manuals search

<http://tv.somanuals.com>