

Emerson[®]

***AM/FM Clock Radio
with Sure Alarm***



OWNER'S MANUAL

CK5029



Visit our web site at www.emersonradio.com





CAUTION

TO PREVENT FIRE OR SHOCK HAZARD, DO NOT USE THIS PLUG WITH AN EXTENSION CORD, RECEPTACLE OR OTHER OUTLET UNLESS THE BLADES CAN BE FULLY INSERTED TO PREVENT BLADE EXPOSURE. TO PREVENT FIRE OR SHOCK HAZARD, DO NOT EXPOSE THIS APPLIANCE TO RAIN OR MOISTURE.

 <p>The lightning flash with arrow-head symbol, within an equilateral triangle is intended to alert the user to the presence of uninsulated 'dangerous voltage' within the product's enclosure that may be of sufficient magnitude to constitute a risk of electric shock to persons.</p>	<p style="text-align: center;">CAUTION RISK OF ELECTRIC SHOCK DO NOT OPEN</p> <p>WARNING: TO REDUCE THE RISK OF ELECTRIC SHOCK DO NOT REMOVE COVER (OR BACK), NO USER SERVICEABLE PARTS INSIDE REFER SERVICING TO QUALIFIED SERVICE PERSONNEL.</p>	 <p>The exclamation point within an equilateral triangle is intended to alert the user to the presence of important operating and maintenance (servicing) instructions in the literature accompanying the appliance.</p>
--	--	---

The Caution Marking was located at the bottom enclosure of the apparatus.

IMPORTANT SAFETY INSTRUCTIONS

- 1.) Read these instructions.
- 2.) Keep these instructions.
- 3.) Heed all warnings.
- 4.) Follow all instructions.
- 5.) Do not use this apparatus near water.
- 6.) Clean only with dry cloth.
- 7.) Do not block any ventilation openings. Install in accordance with the manufacturer's instructions.
- 8.) Do not install near any heat sources such as radiators, heat registers, stoves, or other apparatus (including amplifiers) that produce heat.
- 9.) Do not defeat the safety purpose of the polarized or grounding-type plug. A polarized plug has two blades with one wider than the other. A grounding type plug has two blades and a third grounding prong. The wide blade or the third prong is provided for your safety. If the provided plug does not fit into your outlet, consult an electrician for replacement of the obsolete outlet.
- 10.) Protect the power cord from being walked on or pinched particularly at plugs, convenience receptacles, and the point where they exit from the apparatus.
- 11.) Only use attachments / accessories specified by the manufacturer.
- 12.) Unplug this apparatus during lightning storms or when unused for long periods of time.
- 13.) Refer all servicing to qualified service personnel. Servicing is required when the apparatus has been damaged in any way, such as power-supply cord or plug is damaged, liquid has been spilled or objects have fallen into the apparatus, the apparatus has been exposed to rain or moisture, does not operate normally, or has been dropped.
- 14.) This appliance shall not be exposed to dripping or splashing water and no object filled with liquids such as vases shall be placed on the apparatus.
- 15.) Do not overload wall outlet. Use only power source as indicated.
- 16.) Use replacement parts as specified by the manufacturer.
- 17.) The product may be mounted to a wall only if recommended by the manufacturer.
- 18.) Upon completion of any service or repairs to this product, ask the service technician to perform safety checks.



Thank you for purchasing this Emerson Compact AM/FM Clock Radio with Sure Alarm.

The large LED display is designed to be highly visible and easily readable from anywhere in your room. You can set alarm to wake you to buzzer or radio if you wish. All of the controls are easy to see and easy to use. The radio has a slide rule dial for easy tuning.

The Sure Alarm battery back up system will remember the time and alarm settings of course, but it can do more than that. As long as there is a fresh 9-volt battery installed, the Sure-Alarm system will operate the radio or buzzer alarm to wake you up even if the power is off at your normal wake up time.

We have taken great care to make sure that your radio was in perfect working order when it left our factory. It has been designed to give you many years of enjoyment and trouble free operation. Should you experience any problems with the operation or performance of this product please refer to the service and warranty information at the end of this instruction manual.

Once again, from all of us at Emerson Radio Corp., thanks for your purchase.

For future reference, record the serial number in the space provided.

Model: CK5029

Serial Number: _____



IMPORTANT NOTES

- Avoid installing this unit in places exposed to direct sunlight or close to heat radiating appliances such as electric heaters, on top of other stereo equipment that radiates too much heat, places lacking ventilation or dusty areas, places subject to constant vibration and/or humid or moist areas.
- Operate controls and switches as described in the manual.
- Before turning on the power, make certain that the power cord is properly installed.
- When moving the set, be sure to first disconnect the AC power cord.

FCC Information

This equipment has been tested and found to comply with the limits for a Class B digital device, pursuant to Part 15 of the FCC Rules. These limits are designed to provide reasonable protection against harmful interference in a residential installation. This equipment generates, uses, and can radiate radio frequency energy and, if not installed and used in accordance with the instructions, may cause harmful interference to radio communications. However, there is no guarantee that interference will not occur in a particular installation. If this equipment does cause harmful interference to radio or television reception, which can be determined by turning the equipment off and on, the user is encouraged to try to correct the interference by one or more of the following measures:

- Reorient or relocate the receiving antenna.
- Increase the separation between the equipment and receiver.
- Connect the equipment into an outlet on a circuit different from that to which the receiver is connected.
- Consult the dealer or an experienced radio/TV technician for help.

This device complies with Part 15 of the FCC Rules. Operation is subject to the following two conditions:

- (1) This device may not cause harmful interference, and
- (2) This device must accept any interference received, including interference that may cause undesired operation.



PREPARATION FOR USE

Unpacking And Set Up

- Remove the radio from the carton and remove all packing material from the radio. We suggest that you save the packing material, if possible, in the unlikely event that your radio ever needs to be returned for service. The original carton and packing material is the only safe way to pack your radio to protect it from damage in transit.
- Remove any descriptive labels or stickers on the front or top of the cabinet. Do not remove any labels or stickers from the back or bottom of the cabinet.
- Note the serial number on the bottom of your radio and write this number in the space provided on Page 2 of this manual.
- Place your radio on a level surface such as a table, desk or shelf, convenient to an AC outlet, out of direct sunlight, and away from sources of excess heat, dirt, dust, moisture, humidity, or vibration.
- Unwind the AC power cord and extend it to its full length. The FM antenna is built in to this cord. It must be fully extended to provide the best FM reception.

Sure-Alarm Battery Back Up System

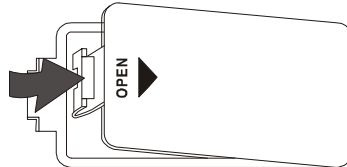
The Sure-Alarm battery back up system in this radio will maintain the time and alarm settings in the event of a temporary power interruption. When the power is restored the time and alarm settings will be correct. If the power is off at your wake up time, the Sure-Alarm system will use the battery power to turn on the radio or buzzer alarm as usual, as long as the back up battery is installed and has sufficient power remaining.

The Sure-Alarm battery back up system requires one 9-volt battery, not included. We recommend that you install an alkaline battery for longest life and best performance.

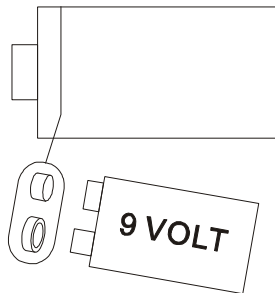


To install the battery

- Open the battery compartment cover on the bottom of the radio by pressing on the locking tab in the direction of the “arrow” and lift it up.



- Connect the 9-volt battery to the battery terminal. It can only be connected one way.



- Push the battery into the battery compartment and replace the cover.

Power Failure Indicator

If no battery is installed in the radio, or if the battery in the compartment is weak or dead, the time and alarm settings will be lost if the power is interrupted.

When the power is restored the clock display will begin flashing. This is your indication that the time display is incorrect and needs to be reset.



Important:

After you reset the time, be sure to reset your alarm settings as well.

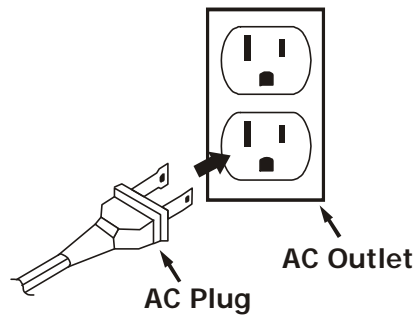


Power Source

This radio is designed to operate on normal 120V 60Hz AC power only. Do not attempt to operate the radio on any other power source. You could cause damage to the radio that is not covered by your warranty.

This radio should be connected to an AC outlet that is always 'live'. Do not connect it to an outlet that is controlled by a wall switch. When the power to the radio is interrupted, the Sure Alarm battery back up system takes over to maintain the time and alarm settings. To maximize the life of the back up battery, keep the radio connected to a 'live' AC outlet at all times.

This radio uses a polarized AC plug which has one blade wider than the other. This plug will only fit into a polarized AC outlet. This is a safety feature. If the plug will not fit, you may have an older non-polarized AC outlet. Do not defeat the safety feature by trying to file the wider blade, or replacing the plug. Contact an electrician to replace your outdated outlet.





Protect Your Furniture

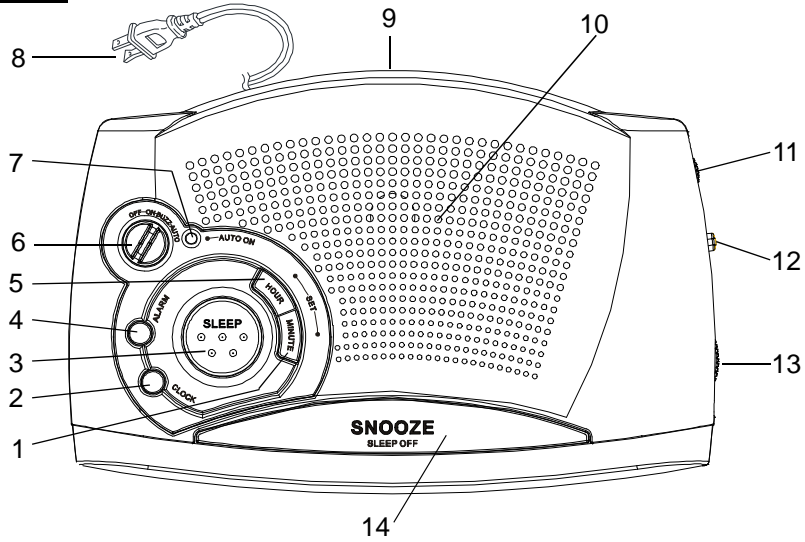
This model is equipped with non-skid rubber 'feet' to prevent the product from moving when you operate the controls. These 'feet' are made from non-migrating rubber material specially formulated to avoid leaving any marks or stains on your furniture. However certain types of oil based furniture polishes, wood preservatives, or cleaning sprays may cause the rubber 'feet' to soften, and leave marks or a rubber residue on the furniture. To prevent any damage to your furniture we strongly recommend that you purchase small self-adhesive felt pads, available at hardware stores and home improvement centers everywhere, and apply these pads to the bottom of the rubber 'feet' before you place the product on fine wooden furniture.



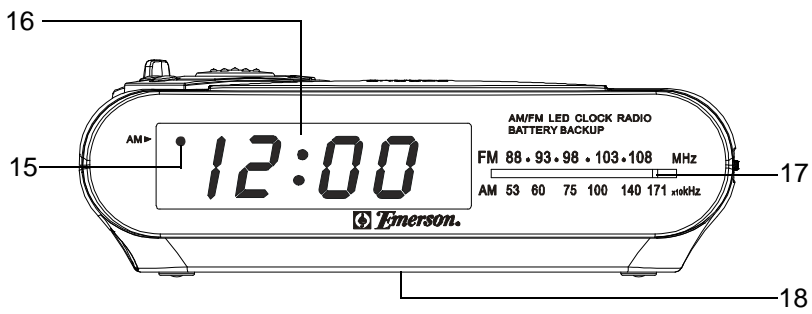


LOCATION OF CONTROLS AND INDICATORS

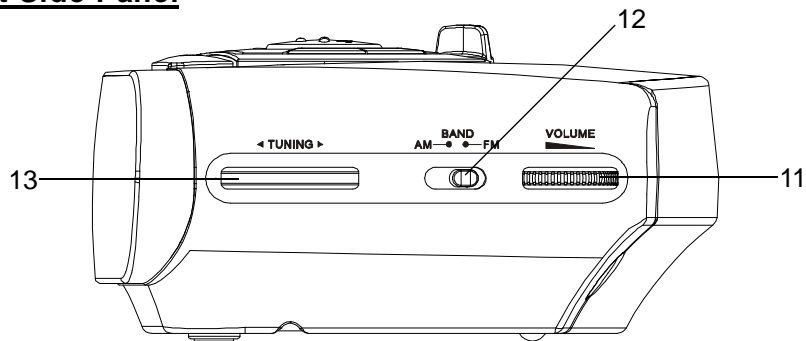
Top Panel



Front Panel



Right Side Panel





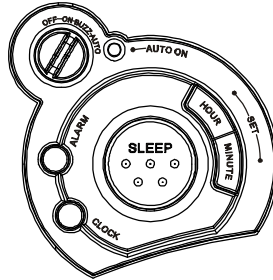
- 1.) **MINUTE SET** Button.
- 2.) **CLOCK** Setting Button.
- 3.) **SLEEP** Button.
- 4.) **ALARM** Setting/Reset Button.
- 5.) **HOUR SET** Button.
- 6.) **OFF-ON-BUZZ-AUTO** Selector Switch.
- 7.) **AUTO ON** Indicator.
- 8.) AC Power Cord.
- 9.) **DIMMER HI**(High)/**LO**(Low) Selector Switch (Back Cabinet).
- 10.) Speaker.
- 11.) **VOLUME** Control.
- 12.) **BAND (FM/AM)** Selector Switch.
- 13.) **TUNING** Control.
- 14.) **SNOOZE/SLEEP OFF** Button.
- 15.) **AM** indicator.
- 16.) Time Display.
- 17.) Dial Pointer.
- 18.) Back Up Battery Compartment (Bottom Cabinet).





OPERATING INSTRUCTIONS

Setting The Clock

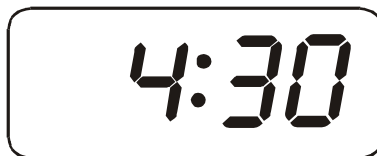


When you connect the radio to your AC outlet for the first time, the display will begin flashing “12:00” AM. The flashing will stop when you set the time.

AM indicator



- 1.) Depress the **CLOCK** button together with the **HOUR** button to set the display to the correct Hour.
- 2.) Depress the **CLOCK** button together with the **MINUTE** button to set the display to the correct Minute.



Note: Observe the **AM** indicator to make sure you have set the clock to the correct hour, AM or PM. If the **AM** indicator is ‘On’ the time displayed is AM. If the **AM** indicator is ‘Off’ the time displayed is PM.



Setting The Wake Up Time

- 1.) Depress the **ALARM** button together with the **HOUR** button to set the display to the correct Hour.
- 2.) Depress the **ALARM** button together with the **MINUTE** button to set the display to the correct Minute.

Note: Observe the **AM** indicator to make sure you have set the clock to the correct wake up hour, AM or PM. If the **AM** indicator is 'On' the time displayed is AM. If the **AM** indicator is 'Off' the time displayed is PM.

Checking The Wake Up Time

Whenever you want to check the wake up time, simply press the **ALARM** button. The display will change from correct time to wake up time. Release the **ALARM** button to return to correct time.





Listening To The Radio

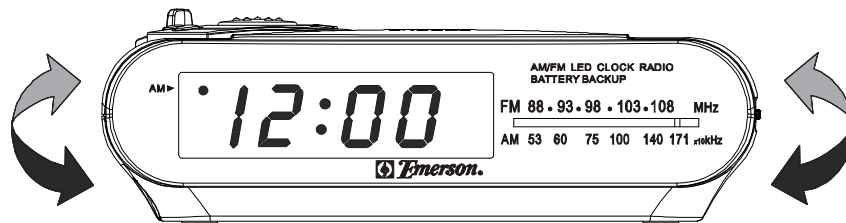
Note: Set the clock before turning the radio 'On' for the first time.

- 1.) Set the **BAND** selector to the desired band, **AM** or **FM**.
- 2.) Set the **VOLUME** control to a low setting.
- 3.) Set the **OFF-ON-BUZZ-AUTO** selector switch to the "**ON**" position to turn the radio 'On'.
- 4.) Select your desired station with the **TUNING** control.
- 5.) Adjust the **VOLUME** control to the desired setting.
- 6.) When you are finished listening, set the **OFF-ON-BUZZ-AUTO** selector switch to the "**OFF**" position to turn the radio 'Off'.

Antenna Information

AM

The AM bar antenna is inside the cabinet. If AM reception is weak, change the position of cabinet until the internal antenna picks up the strongest signal.



FM

The FM antenna is built in to the AC power cord. If FM reception is weak try varying the position and direction of the power cord until you find the strongest signal.



Wake To Radio

- 1.) Turn the radio 'On' and select the band, station, and volume level that you wish to hear when the alarm comes 'On'.
- 2.) Reconfirm the wake up time setting.
- 3.) Set the **OFF-ON-BUZZ-AUTO** selector switch to the "**AUTO**" position. The **AUTO ON** indicator comes 'On'.
- 4.) At the selected wake up time the radio will turn 'On'. It will play for 1 hour and 59 minutes and then shut 'Off' automatically.
- 5.) To stop the radio sooner, press the **ALARM** button. The radio will stop but the alarm remains set and will turn the radio 'On' again at the same time on the following day.
- 6.) If you do not want the alarm to turn the radio on the following day, set the **OFF-ON-BUZZ-AUTO** selector switch to the "**OFF**" position. The **AUTO ON** indicator goes 'Off'.

Wake To Buzzer

- 1.) Reconfirm the wake up time settings.
- 2.) Set the **OFF-ON-BUZZ-AUTO** selector switch to the "**BUZZ**" position. The **AUTO ON** indicator comes 'On'.
- 3.) At the selected wake up time the buzzer will sound. It will continue for 1 hour and 59 minutes and then shut 'Off' automatically.
- 4.) To stop the buzzer sooner, press the **ALARM** button. The buzzer will stop but the alarm remains set and will turn the buzzer on again at the same time on the following day.
- 5.) If you do not want the alarm to turn the buzzer on the following day, set the appropriate **ALARM** selector to the "**OFF**" position. The **AUTO ON** indicator goes 'Off'.

Snooze Alarm

After the radio or buzzer alarm sounds in the morning you may press the **SNOOZE** Bar for a few more minutes sleep. The alarm will stop for approximately 9 minutes and then turns 'On' again.



Sleep To Music Timer

The sleep to music timer allows you to fall asleep to music for up to 1 hour and 59 minutes, and then shuts the radio 'Off' automatically.

The sleep timer can be activated when the **OFF-ON-BUZZ-AUTO** selector switch is set to the **OFF**, **BUZZ** or **AUTO** positions.

- 1.) Depress the **SLEEP** button to start the sleep timer.

The display indicates "0:59" and the radio turns 'On'.



- 2.) To adjust the amount of sleep timer operation, continue to hold the **SLEEP** button and depress the **MINUTE** button. The display starts counting down from 59 minutes.

Release the **MINUTE** button when the display shows the desired minute.



To add 1 hour, continue to hold the **SLEEP** button and press the **HOUR** button once.



- 3.) When the desired amount of sleep time appears on the display, release all the buttons. The radio will continue to play until the sleep timer counts down to "0:00", and then the radio shuts 'Off' automatically.

- 4.) To shut off the radio and cancel the sleep timer before it counts down to "0:00", press the **SNOOZE** button. The radio stops immediately.

Important: Remember that the station and volume setting that you select for sleep timer operation are the same settings you will hear the following morning if you have the alarm set for "**Wake To Radio**".

Dimmer Control

The **DIMMER** switch is located on back cabinet and it was set to the "**HI**" (High) position at our factory. If you find the clock display is too bright in a darkened room, set the **DIMMER** switch to the '**LO**' (Low) position.



CARE AND MAINTENANCE

There are no user serviceable parts inside this radio. Please refer all service problems to a qualified service facility. See the warranty page of this manual for further details.

If the cabinet becomes dusty, wipe the exterior with a soft dust cloth only. Never use dusting sprays or polishes on the cabinet.

If the cabinet becomes dirty or smudged with fingerprints it may be wiped with a soft cloth that has been slightly dampened with a mild soap and water solution. Always disconnect the power cord from the AC outlet before cleaning, and never allow any liquid to get inside the cabinet.

Note: *If there is no battery in the back-up battery compartment, the Time and Alarm settings will be lost when the power cord is disconnected for cleaning. Reset the clock and wake up times after reconnecting the power cord.*



TO FIND THE LOCATION AND PHONE NUMBER
OF YOUR NEAREST SERVICE CENTER
PERMITTED TO PERFORM WARRANTY...

CALL TOLL FREE: 1-800-695-0098

FOR ADDITIONAL SET-UP OR OPERATING ASSISTANCE
PLEASE CALL:
1-800-898-9020

FOR CUSTOMER SERVICE, PLEASE WRITE TO:
Emerson Radio Corp.
Consumer Affairs Dept.
1901 Diplomat Drive,
Farmers Branch, TX 75234.



LIMITED WARRANTY

Emerson Radio Corp. warrants manufacturing defects in original material, including original parts and workmanship, under normal use and conditions, for a period of ninety (90) days from the date of original purchase in the U.S. With your dated proof of purchase, we will provide repair service at no charge for labor and parts at an authorized Depot Repair Facility, or replace the product in our discretion. For repair or replacement, pack your unit in a padded box, enclose your check or money order payable to Emerson Radio Corp. in the amount of \$5.00 (not required by California residents) to cover shipping and handling costs, and enclose a copy of your proof of purchase. Send your unit to:

Emerson Radio Corp.
1901 Diplomat Drive,
Farmers Branch, TX 75234.

This warranty does not cover damage from negligence, misuse, abuse, accident, failure to follow operating instructions, commercial use, rental, repairs by an unauthorized facility, or products purchased, used, serviced or damaged outside of the United States.

THIS WARRANTY GIVES YOU SPECIFIC LEGAL RIGHTS, AND YOU MAY ALSO HAVE OTHER RIGHTS WHICH VARY FROM STATE TO STATE.

AU898H



EMERSON
Part No. : 16-2984
502-01

Printed in China

Free Manuals Download Website

<http://myh66.com>

<http://usermanuals.us>

<http://www.somanuals.com>

<http://www.4manuals.cc>

<http://www.manual-lib.com>

<http://www.404manual.com>

<http://www.luxmanual.com>

<http://aubethermostatmanual.com>

Golf course search by state

<http://golfingnear.com>

Email search by domain

<http://emailbydomain.com>

Auto manuals search

<http://auto.somanuals.com>

TV manuals search

<http://tv.somanuals.com>