

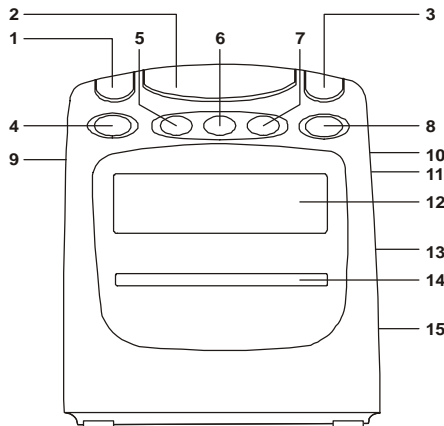


Emerson®

MODEL : CK9902

AM/FM Clock Radio with 0.9" Display

LOCATION OF CONTROLS



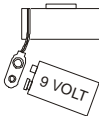
1. **ALARM RESET** Button.
2. **SNOOZE/SLEEP OFF/RADIO OFF** Button.
3. **RADIO ON** Button.
4. **ALARM** Button.
5. **MINUTE** Button.
6. **CLOCK** Button.
7. **HOUR** Button.
8. **SLEEP** Button.
9. **DIMMER (Hi/Lo)** Switch.
10. **ALARM(OFF/RAD/BUZ)** Switch.
11. **VOLUME** Control.
12. Clock Display.
13. **AM/FM** Band Switch.
14. Dial Scale and Pointer.
15. **TUNING** Control.

PREPARATION FOR USE

SURE-ALARM BATTERY BACK UP SYSTEM

This clock radio includes a battery back up system that will maintain the correct time and alarm settings in case of a temporary power interruption. As long as the battery has sufficient power, it will also operate the Radio or Buzzer alarm to wake you up even if the power is ' Off ' at your normal wake up time. The battery back up system requires one 9 volt battery,(not included). We recommend you use an alkaline battery for longest life.

- Open the battery compartment door, located on the back of the radio cabinet.
- Gently pull the battery terminal outside the battery compartment.
- Connect the 9 volt battery to the battery terminal. It can only be connected one way.
- Push the battery and the terminal back into the battery compartment.
- Replace the battery compartment door.



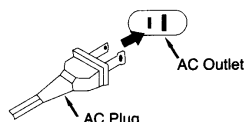
If the power is interrupted the clock display goes ' Off ' . However the clock will continue to run, powered by the 9 volt battery. When power is restored the clock will come ' On ' again to the correct time. The alarm setting will also be maintained.

NOTE: If no battery is installed, or if the battery is exhausted and power is interrupted, the time and alarm settings will be lost. When power is restored the clock display will begin flashing " 12:00 AM " . This is your indication that the time is incorrect and needs to be reset. Don' t forget to reset both the time and the wake up time.

A fresh alkaline battery should be able to provide back up power for up to a year in normal circumstances. However if you live in an area that has frequent power interruptions the battery life will be reduced. For best results you should install a new battery every 8 to 12 months. If you installed a battery but you notice that the display is flashing, your battery is exhausted and should be replaced.

POWER SOURCE

This radio operates on 120V, 60Hz AC house current only. Unwind the AC power cord and connect the plug to any conveniently located AC outlet.



NOTES:

- 1.) This radio uses a polarized AC plug which has one blade wider than the other. This plug will only fit into a polarized AC outlet. This is a safety feature. If the plug will not fit, you may have an older non-polarized AC outlet. Do not defeat the safety feature by trying to file the wider blade, or replacing the plug. Contact an electrician to replace your outdated outlet.
- 2.) Do not connect this unit to an AC outlet which is controlled by a wall switch. The AC outlet should be ' live ' at all times.

ANTENNA INFORMATION

FM - The FM antenna is built into the AC power cord. Be sure the AC power cord is fully unwound and extended to its full length for best FM reception.

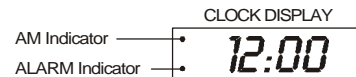
AM - The AM ferrite bar antenna is inside the radio cabinet. If AM reception is noisy or weak, try turning the radio slightly until the bar antenna is pointing towards the transmitter. Experiment until you find the position which provides the clearest reception.

OPERATING INSTRUCTIONS

SETTING THE TIME

- Press and hold the **CLOCK** and **HOUR** buttons to advance the display to the correct hour.
- Press and hold the **CLOCK** and **MINUTE** buttons to advance the display to the correct minute.

NOTE: If the AM Indicator in the upper left corner of the display is ' On ' , the time displayed is " AM " . If the AM Indicator does not appear in the display, the time displayed is " PM " . Be sure to set the time correctly for AM or PM.



LISTENING TO THE RADIO

- Press the **RADIO ON** button.
- Slide the **BAND** selector to the desired position - AM or FM.
- Select the desired station with the **TUNING** control.
- Adjust the **VOLUME** control to the desired level.
- Press the **SNOOZE/SLEEP OFF/RADIO OFF** button to shut the radio ' Off ' .

SETTING THE WAKE-UP TIME

- Press and hold the **ALARM** and **HOUR** buttons to set the desired wake-up hour.
- Press and hold the **ALARM** and **MINUTE** buttons to set the desired wake-up minute.

NOTE: If the AM Indicator in the upper left corner of the display is ' On ' , the wake-up time displayed is " AM " . If the AM Indicator does not appear in the display, the wake-up time displayed is " PM " . Be sure to set the wake-up time correctly for AM or PM.

WAKE TO RADIO

Set the wake-up time as indicated above. Also tune the radio to the band and station that you want to hear at the wake up time, adjust the volume if necessary, and shut the radio ' Off ' .

- Slide the **ALARM** selector to the **RAD** (Radio) position.
- At the selected wake-up time the radio will begin to play. It will continue for 1 hour and 59 minutes and then shut off automatically and reset itself for the following day.
- To stop the radio sooner, press the **ALARM RESET** button. The radio stops immediately and resets itself for the following day.
- To cancel the wake to radio function slide the **ALARM** selector to the ' Off ' position.

WAKE TO BUZZER ALARM

Set the wake up time as indicated above.

- Slide the **ALARM** selector to the **BUZ** (Buzzer) position.
- At the selected wake up time the buzzer tone will come on. It will continue for 1 hour and 59 minutes and then shut off automatically and reset itself for the following day.
- To stop the buzzer sooner, press the **ALARM RESET** button. The buzzer stops immediately and resets itself for the following day.
- To cancel the wake to buzzer function slide the **ALARM** selector to the ' Off ' position.

SNOOZE / REPEAT ALARM

If you need a few extra minutes sleep after the alarm comes on, press the **SNOOZE** button once. The radio or buzzer alarm stops for 9 minutes and then turns on again. This procedure can be repeated many times if necessary. Each time the **SNOOZE** button is pressed the alarm shuts off for 9 minutes and then comes on again.

NOTE: The Snooze / Repeat Alarm operation will function for up to 1 hour and 59 minutes after the alarm comes on. After 1 hour and 59 minutes the alarm no longer repeats.

SLEEP TO MUSIC / AUTO SHUT OFF TIMER

This radio has a sleep timer that allows you to fall asleep to music and then shuts the radio off automatically. The maximum sleep to music time is 1 hour and 59 minutes.

- Tune the radio to the desired band and station and adjust the volume control to the desired level.

NOTE: If you also plan to wake to music, remember that the band, station, and volume setting that you select for the sleep to music function will be the same settings that you hear when the alarm wakes you the following morning.

- Press the SLEEP button once. The display will show “:59” and the radio will play for 59 minutes before shutting off automatically.
- To decrease the amount of time before auto shutoff, hold the SLEEP button and the MINUTE button. The display will begin counting down from 59 minutes. Release the buttons when the display counts down to the desired setting.
- To add one hour to the sleep timer, press the SLEEP and HOUR buttons.
- When the sleep timer counts down to “:00” the radio shuts off automatically. To shut off the radio before the timer counts down to “:00”, press the SNOOZE / SLEEP OFF / RADIO OFF button at any time.

DIMMER CONTROL

To reduce the brightness of the clock display if necessary, slide the DIMMER switch to the “Lo” position.

CARE AND MAINTENANCE

There are no user serviceable parts inside this radio. Please refer all service problems to a qualified service facility. See the warranty page of this manual for further details.

If the cabinet becomes dusty, wipe the exterior with a soft dust cloth only. Never use dusting sprays or polishes on the cabinet.

If the cabinet becomes dirty or smudged with fingerprints it may be wiped with a soft cloth that has been slightly dampened with a mild soap and water solution. Always disconnect the power cord from the AC outlet before cleaning, and never allow any liquid to get inside the cabinet.

WARNINGS



ATTENTION : To reduce the risk of electric shock, do not remove the cover. There are no user-serviceable parts inside the unit. Refer all servicing to qualified personnel.



The lightning flash with arrowhead symbol within the triangle is a warning sign alerting the user of "dangerous voltage" inside the unit.



The exclamation point within the triangle is a warning sign alerting the user of important instructions accompanying the product.

WARNING : To reduce the risk of fire or electric shock, do not expose this appliance to rain or moisture.

CAUTION !

This device complies with Part 15 of the FCC Rules. Operation is subject to the condition that this device does not cause harmful interference.

EMERSON RADIO CORP. LIMITED WARRANTY

What does this warranty cover ? Any manufacturing defects in original material, including original parts and workmanship, under normal use and conditions.

For how long ? For a period of ninety (90) days from the date of original purchase in the U.S.

What will we do ? If you need service under this Warranty, and you provide us with the dated proof of purchase, we will provide repair service at no charge for labor and parts at an authorized Depot Repair Facility, or replace the product in our discretion.

How do you make your warranty claim ? If it becomes necessary to repair or replace your unit, please call Emerson Consumer Affairs Department by dialing (972) 884-2350 (press one (1) and then press five (5) on a touch tone phone), to obtain instructions for the repair or replacement of your unit free of charge.

What does your warranty not cover ? Your warranty does not cover the following :

- Damage from negligence, misuse, abuse, accident, or failure to follow operating instructions.
- Use of product in a commercial application or rentals.
- Changes or repairs by anyone other than an authorized Depot Repair Facility.
- Damage because your unit is improperly connected to the equipment of other manufacturers.
- Unit on which the serial number has been defaced, modified or removed.
- Damage to equipment not properly connected to the product.
- Ordinary adjustments which you can perform as outlined in the Owner's Manual.
- Signal reception problems caused by external antenna or cable systems.
- Products purchased, used, serviced, or damaged outside of the United States.
- Damage to compact discs or cassettes.

What other limitations apply to your warranty ?

THIS WARRANTY IS NON-TRANSFERABLE AND APPLIES ONLY TO THE ORIGINAL PURCHASER AND DOES NOT EXTEND TO SUBSEQUENT OWNERS OF THE PRODUCT. THIS WARRANTY IS VALID ONLY IN THE UNITED STATES OF AMERICA. ANY APPLICABLE IMPLIED WARRANTIES, INCLUDING THE WARRANTY OF MERCHANTABILITY, ARE LIMITED IN DURATION TO A PERIOD OF THE EXPRESSED WARRANTY AS PROVIDED ABOVE BEGINNING WITH THE DATE OF ORIGINAL PURCHASE AT RETAIL AND NO WARRANTIES, WHETHER EXPRESSED OR IMPLIED, SHALL APPLY TO THE PRODUCT THEREAFTER. WE MAKE NO WARRANTY AS TO THE FITNESS OF THE PRODUCT FOR ANY PARTICULAR PURPOSE OR USE.

THE EXTENT OF OUR LIABILITY UNDER THIS LIMITED WARRANTY IS THE REPAIR OR REPLACEMENT PROVIDED ABOVE AND IN NO EVENT WILL OUR LIABILITY EXCEED THE PURCHASE PRICE PAID BY THE PURCHASER OF THE PRODUCT. UNDER NO CIRCUMSTANCES WILL WE BE LIABLE FOR ANY LOSS, DIRECT, INDIRECT, INCIDENTAL, SPECIAL, OR CONSEQUENTIAL DAMAGE ARISING OUT OF OR IN CONNECTION WITH THE USE OF THIS PRODUCT.

How does state law apply to your warranty ?

THIS WARRANTY GIVES YOU SPECIFIC LEGAL RIGHTS, BUT YOU MAY ALSO HAVE OTHER RIGHTS WHICH VARY FROM STATE TO STATE. SOME STATES DO NOT ALLOW LIMITATIONS ON IMPLIED WARRANTIES OR EXCLUSION OR LIMITATION OF INCIDENTAL OR CONSEQUENTIAL DAMAGE, SO THESE RESTRICTIONS MAY NOT APPLY TO YOU.

SP998N



FOR ADDITIONAL SET-UP OR OPERATING ASSISTANCE
PLEASE CALL:
1-972-884-2350

FOR CUSTOMER SERVICE, PLEASE WRITE TO:
Emerson Radio Corp.
Consumer Affairs Dept.
1901 Diplomat Drive,
Farmers Branch, TX 75234.

EMERSON
Part No.: 16-2757
004-02

Printed in China

Free Manuals Download Website

<http://myh66.com>

<http://usermanuals.us>

<http://www.somanuals.com>

<http://www.4manuals.cc>

<http://www.manual-lib.com>

<http://www.404manual.com>

<http://www.luxmanual.com>

<http://aubethermostatmanual.com>

Golf course search by state

<http://golfingnear.com>

Email search by domain

<http://emailbydomain.com>

Auto manuals search

<http://auto.somanuals.com>

TV manuals search

<http://tv.somanuals.com>