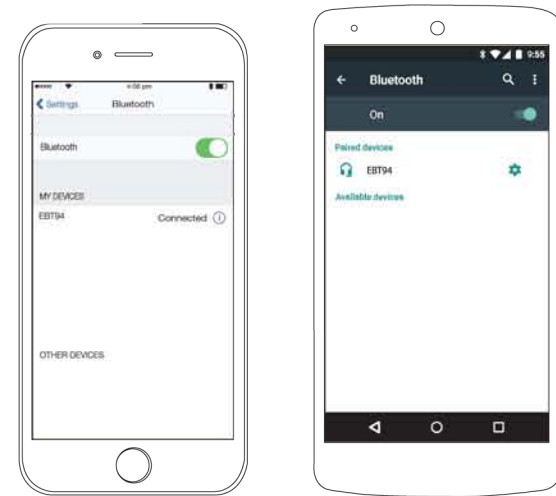


Pairing the Earbuds

1. Long press the [⏻] switch on the side of the earbuds. A voice will indicate that the earbuds are powered ON and in pairing mode and the LED indicator lights will quickly flash BLUE.
2. Set your Bluetooth-enabled device to search for Bluetooth devices.
3. When your mobile phone (or other Bluetooth-enabled device) finds the earbuds, select "EBT94" from the list of found devices.
4. After a successful pairing, a voice will indicate that the earbuds are connected and the LED will slowly flash BLUE.

On an iPhone or Android

- Go to SETTINGS > BLUETOOTH (make sure Bluetooth is turned ON)



The screenshots above are typical of many Bluetooth-enabled devices in the market today, and are used to assist in the explanation of the pairing process. Your Bluetooth-enabled device's interface and interaction with the earbuds may differ slightly from the illustrations above.

If required, enter the password 0000. Select OK or Yes to pair the units.

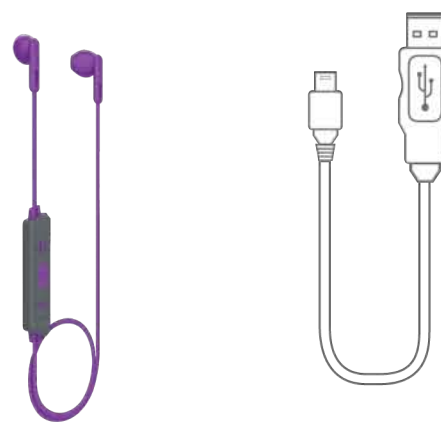
Wireless Earbuds



User Guide

EBT94

In the Box



Wireless Earbuds

Micro USB Charging Cable

Location of Controls

(Front)

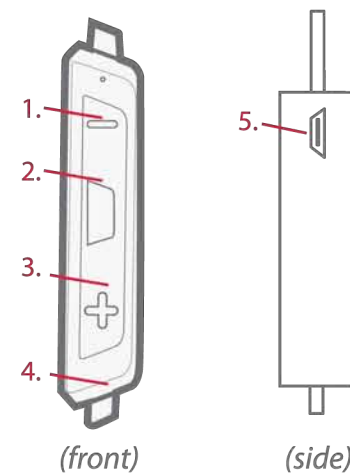
1. [+]: Quick press - Skip to next track
Long press - Increase volume
2. [⏻]: Quick press - Play/pause
Quick press - Answer/end call
Double press - Redial last number
Long press - Power ON/OFF
3. [-]: Quick press - Skip to previous track
Long press - Decrease volume
4. LED indicator

(Side)

5. USB port

(Back)

6. Mic



Using the Earbuds

Powering ON/OFF

- Turn the earbuds ON by long pressing the [⏻] button. A tone will be heard, indicating that the earbuds are powered ON.
- Turn the earbuds OFF by long pressing the [⏻] button. A tone will be heard, indicating that the earbuds are powered OFF.

Answering Phone Calls

- To answer a phone call, quick press the [⏻] button.
- To hang up, quick press the [⏻] button. Music playback will automatically resume.

Redial Last Number Called

- Double press the [⏻] button to redial the last number called.

Playing Music

To enjoy music wirelessly on your Wireless Earbuds, make sure that the earbuds are properly paired to your Bluetooth-enabled device. If you are pairing the device for the first time, please consult the "Pairing the Earbuds" section of this user guide.

Playing/Pausing Music

- Quick press the [⏻] button to pause the music.
- Quick press the [⏻] button again to resume music playback.

Skipping Songs

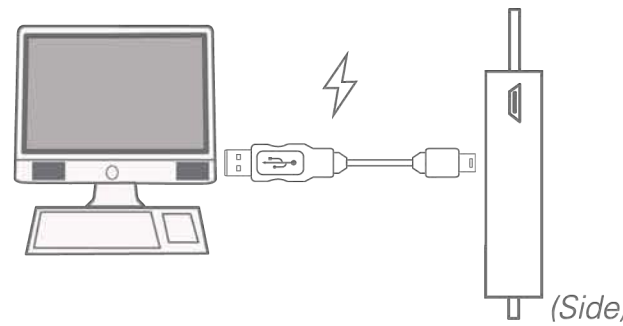
- Quick press the [-] button to go to the previous song.
- Quick press the [+] button to go to the next song.

Adjusting the Volume

- Long press the [-] to decrease the volume of music playback.
- Long press the [+] to increase the volume of music playback.

Charging the Earbuds

Attach the small end of the micro USB charging cable to the micro USB charging port on the side of the earbuds. Connect the large end to the USB port on your computer or other USB charging device. The LED indicator will turn RED while charging and turn off when fully charged.



Make sure you charge the earbuds for at least 1 to 2 hours before using it for the first time.

Questions and Customer Support

For further assistance or troubleshooting, please call our customer support line:

Phone: 1-877-768-8481
Monday-Friday 8AM-10PM (EST)

www.southern telecom.com
Click on "Product Support"

Additional Warnings & Precautions

READ CAREFULLY AND KEEP THIS MANUAL

Caution: Any changes or modifications not expressly approved could void the user's authority to operate the equipment.

This device complies with Part 15 of the FCC Rules. Operation is subject to the following two conditions: (1) This device may not cause harmful interference, and (2) this device must accept any interference received, including interference that may cause undesired operation.

Note: This equipment has been tested and found to comply with the limits for a Class B digital device, pursuant to part 15 of the FCC Rules. These limits are designed to provide reasonable protection against harmful interference in a residential installation. This equipment generates, uses and can radiate radio frequency energy and, if not installed and used in accordance with the instructions, may cause harmful interference to radio communications. However, there is no guarantee that interference will not occur in a particular installation. If this equipment does cause harmful interference to radio or television reception, which can be determined by turning the equipment off and on, the user is encouraged to try to correct the interference by one or more of the following measures:

- Reorient or relocate the receiving antenna.
- Increase the separation between the equipment and receiver.
- Connect the equipment into an outlet on a circuit different from that to which the receiver is connected.
- Consult the dealer or an experienced radio/TV technician for help.

Limited Warranty

90 Days Limited Warranty

In the unlikely event that this product is defective, or does not perform properly, you may within ninety (90) days from your original date of purchase return it to the authorized service center for repair or exchange.

TO OBTAIN WARRANTY SERVICE:

- Call the Customer Support number located below, or go to our website portal to receive an SRO number.
- Provide proof of the date of purchase within the package (dated bill of sale).
- Prepay all shipping costs to the authorized service center, and remember to insure your return.
- Include a return shipping address (no P.O. Boxes), a telephone contact number, and the defective unit within the package.
- Describe the defect or reason you are returning the product.

Your product will be repaired or replaced, at our option, for the same or similar model of equal value if examination by the service center determines this product is defective. Products received damaged as a result of shipping will require you to file a claim with the carrier.

The shipping address of the authorized service center is:

Southern Telecom, Inc.
Attention: Customer Service (2nd Floor)
14-C 53rd Street
Brooklyn, NY 11232

Should you have any questions or problems concerning this product, please contact our customer service department at:

Customer Support:

Phone: 1-877-768-8481
Monday-Friday 8AM-10PM(EST)

www.southern telecom.com
Click on "Product Support"

Warranty service not provided

This warranty does not cover damage resulting from accident, misuse, abuse, improper installation or operation, lack of reasonable care, and unauthorized modification. This warranty is voided in the event any unauthorized person opens, alters or repairs this product. All products being returned to the authorized service center for repair must be suitably packaged.

Limitation of Warranty:

• THE WARRANTY STATED ABOVE IS THE ONLY WARRANTY APPLICABLE TO THIS PRODUCT. ALL OTHER WARRANTIES, EXPRESS OR IMPLIED (INCLUDING ALL IMPLIED WARRANTIES OF MERCHANTABILITY OR FITNESS FOR A PARTICULAR PURPOSE) ARE HEREBY DISCLAIMED. NO VERBAL OR WRITTEN INFORMATION GIVEN BY AIT, INC. ITS AGENTS, OR EMPLOYEES SHALL CREATE A WARRANTY OR IN ANY WAY INCREASE THE SCOPE OF THIS WARRANTY.

• REPAIR OR REPLACEMENT AS PROVIDED UNDER THIS WARRANTY IS THE EXCLUSIVE REMEDY OF THE CONSUMER. AIT, INC. SHALL NOT BE LIABLE FOR INCIDENTAL OR CONSEQUENTIAL DAMAGES RESULTING FROM THE USE OF THIS PRODUCT OR ARISING OUT OF ANY BREACH OF ANY EXPRESS OR IMPLIED WARRANTY ON THIS PRODUCT. THIS DISCLAIMER OF WARRANTIES AND LIMITED WARRANTY ARE GOVERNED BY THE LAWS OF THE STATE OF NEW YORK. EXCEPT TO THE EXTENT PROHIBITED BY APPLICABLE LAW, ANY IMPLIED WARRANTY OF MERCHANTABILITY OR FITNESS FOR A PARTICULAR PURPOSE ON THIS PRODUCT IS LIMITED TO THE APPLICABLE WARRANTY PERIOD SET FORTH ABOVE.

Some states do not allow the exclusion nor limitation of incidental or consequential damages, or limitations on how long an implied warranty lasts so the above limitations on exclusions may not apply to you. This warranty gives you specific legal rights, and you also may have other rights that vary from state to state.



Free Manuals Download Website

<http://myh66.com>

<http://usermanuals.us>

<http://www.somanuals.com>

<http://www.4manuals.cc>

<http://www.manual-lib.com>

<http://www.404manual.com>

<http://www.luxmanual.com>

<http://aubethermostatmanual.com>

Golf course search by state

<http://golfingnear.com>

Email search by domain

<http://emailbydomain.com>

Auto manuals search

<http://auto.somanuals.com>

TV manuals search

<http://tv.somanuals.com>