



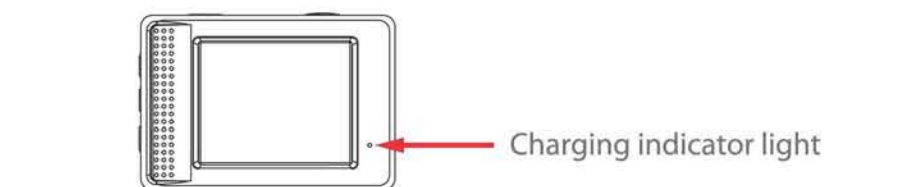
User Guide EVC655

In the box

Setting up your camera

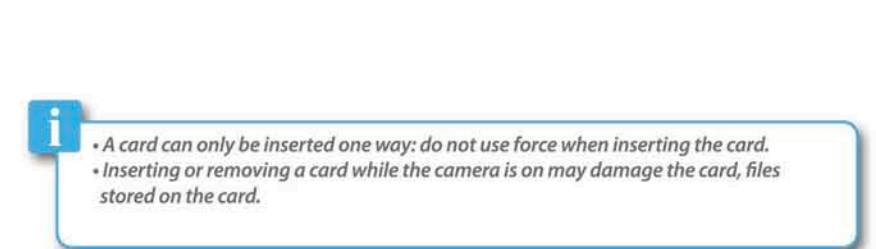
Charging the battery

1. Insert the smaller end of the Micro USB cable into the camera's Micro USB port.
2. Connect the larger end of the Micro USB cable into your computer's USB port.
3. The Charging indicator light will illuminate red.
4. The battery indicator is located on the lower right corner of the camera's LCD screen.



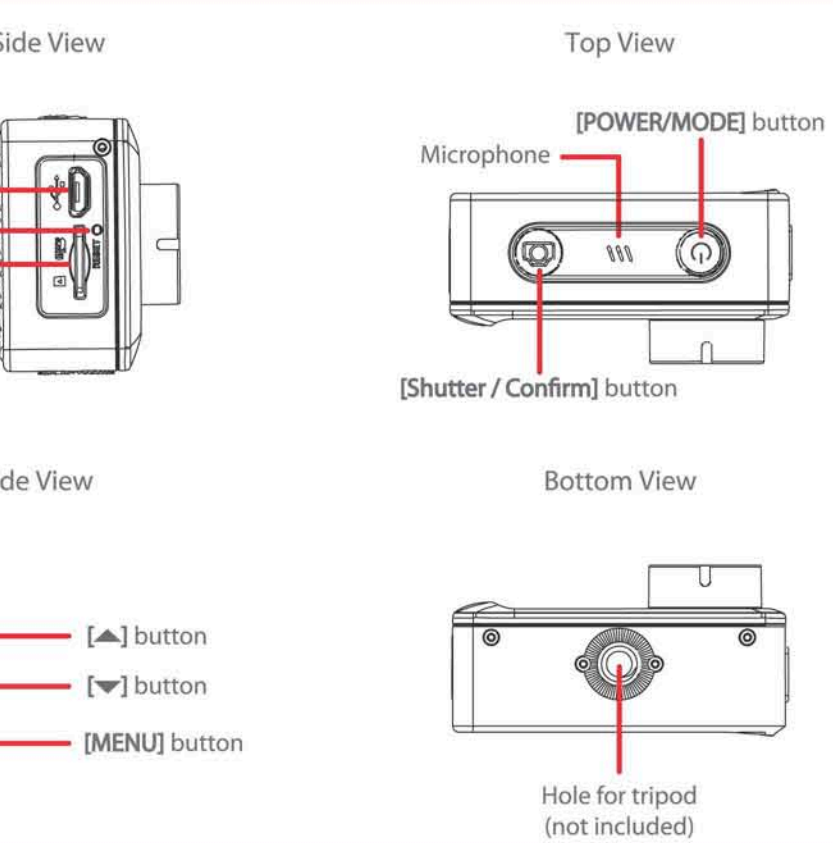
SD card installation

1. Turn off the camera.
2. Insert the Micro SD card into the card slot (as shown right) with the metal contacts facing the front of the camera until it clicks and locks into place.
3. To remove the card, gently push it in until it pops out.



i A card can only be inserted one way; do not use force when inserting the card. Inserting or removing a card while the camera is on may damage the card, files stored on the card.

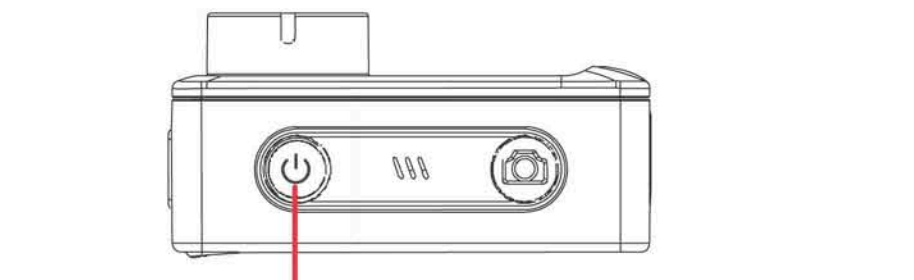
Location of controls



Using your camera

Turning the camera on/off

1. To turn the camera on, press and HOLD the [POWER/MODE] button until the display turns on.
2. To turn the camera off, press and HOLD the [POWER/MODE] button until the display turns off.



i This camera has an auto-shutoff feature which can be set for specific times (refer to System Settings > Power Save).

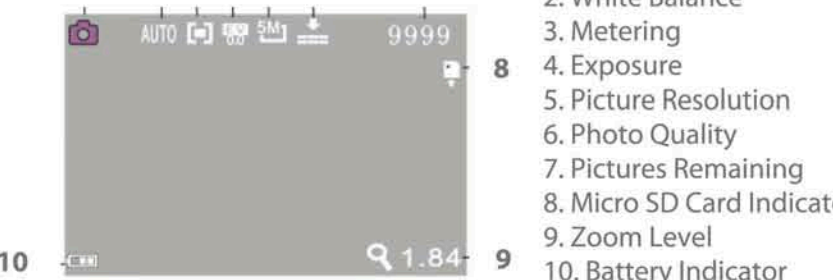
Switching Camera Modes

- This camera has three different modes depending on what you are doing with the camera. For example:
- A) To record videos, turn the camera ON. The [V] will appear in the upper left side of the LCD screen.
 - B) To take pictures, turn the camera ON and quickpress the [O] button once. The [A] will appear in the upper left side of the LCD screen.
 - C) To view pictures/videos, turn the camera ON and quickpress the [O] button two times. The [O] will appear in the upper left side of the LCD screen.

Video Mode

1. Make sure that a Micro SD card is inserted into the camera.
2. Turn the camera ON. The [V] will appear in the upper left side of the LCD screen, meaning you are in Video mode.
3. Press the [SHUTTER / CONFIRM] button, the camera starts recording video.
4. To stop recording press the [SHUTTER / CONFIRM] button again.

NOTE: If the Micro SD memory card is full or the battery is low on power during recording, the camera will automatically stop recording.



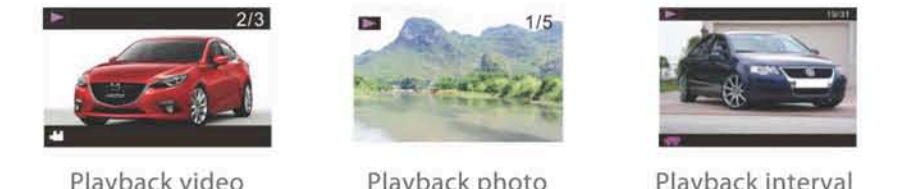
1. Video Mode Icon
2. White Balance
3. Metering
4. Exposure
5. Picture Resolution
6. Photo Quality
7. Pictures Remaining
8. Micro SD Card Indicator
9. Zoom Level
10. Battery Indicator

Playback Mode

1. Turn the camera ON and quickpress the [O] button twice. The [O] will appear in the upper left side of the LCD screen, meaning you are in Playback mode.

Video Playback

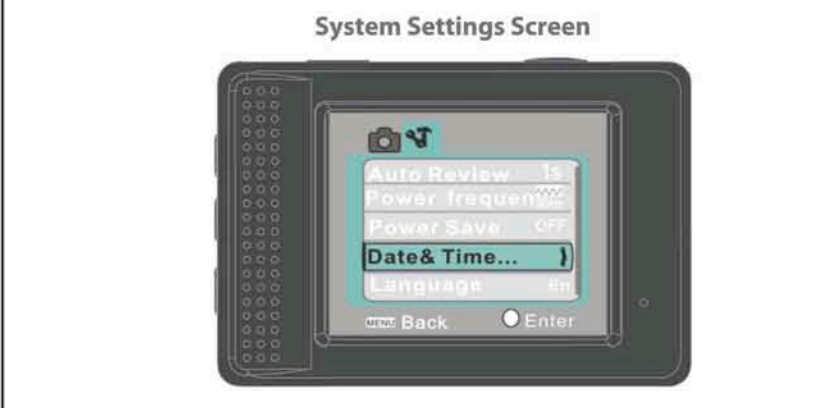
1. If you select a video, press the [SHUTTER / CONFIRM] button to start the video playback.
2. Use the [▲] or [▼] buttons to scroll through loop recording videos.
3. During video playback, press the [▲] button to Pause/Play after the video has started to play.
4. During video playback, press the [MENU] button to stop the video after it has begun to play.



- Below, the image on the far left is a video in Playback mode, as indicated by the [O] icon located in the bottom left corner. The image in the middle is a picture in Playback mode, as indicated by the lack of an icon located in the bottom left corner. The image on the far right is a loop recording video in Playback mode, as indicated by the [V] icon located in the bottom left corner.
1. Make sure the camera is turned off, and that a Micro SD card is inserted in the camera before connecting it to your computer.
 2. Insert the smaller end of the Micro USB cable into the camera's Micro USB port.
 3. Connect the larger end of the Micro USB cable into your computer's USB port.
 4. Turn ON the camera.
 5. Autoplay will prompt your device is connected. You will see the MSDC logo on the LCD screen. When the LCD screen turns off, it means the camera is connected to the computer.
 6. On your PC select "open folder" to view files.
 7. Select "DCIM" then select "100MEDIA".
 8. Pictures and videos will be displayed in this folder.
 9. Before disconnecting the camera, click on the "Safely Remove Hardware" icon usually located on the lower right corner of your desktop.
- OR**
- Click on "My Computer", RIGHT click on "Removable Disk" then click on "Eject" from the drop down menu.
- i** Please do not disconnect the Micro USB cable during loading, as it may cause damage to the camera and the files on the SD card.

System Settings

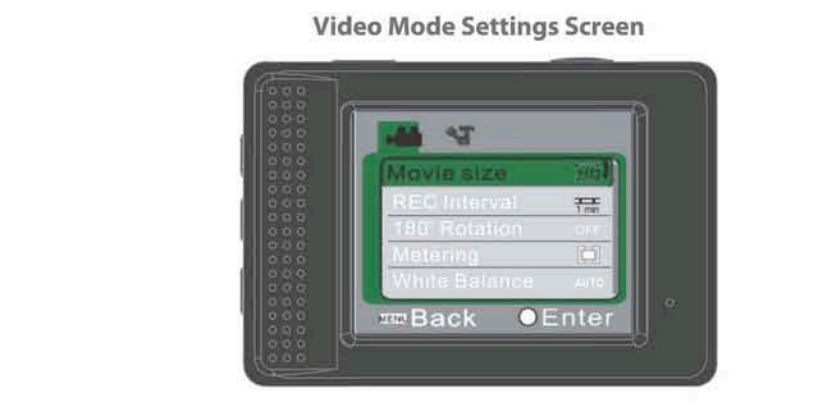
- To make changes to the camera's settings, follow the instructions below:
1. Turn the camera ON. Press the [MENU] button.
 2. Quickpress the [POWER/MODE] button to go to the settings.
 3. Use the [▲] or [▼] buttons to scroll through the settings.
 4. Press the [SHUTTER / CONFIRM] button to select the desired setting.
 5. Use the [▲] or [▼] buttons to scroll through the options.
 6. Press the [SHUTTER / CONFIRM] button to confirm the option.
 7. Press the [MENU] button to exit settings.



- #### System Settings Options
- AUTO REVIEW** Set time of review after picture is taken (off, 1 sec, 3 sec)
 - POWER FREQUENCY** 50Hz / 60Hz (The Camera's default setting is 60Hz for the USA and North America)
 - POWER SAVE** Select off, 1.3, or 5 minutes. To conserve battery power, the camera will shut off if no buttons are pressed within the selected time.
 - DATE & TIME** Set the camera's date and time. Use the [▲] or [▼] buttons to scroll through the settings. Press the [POWER/MODE] button to move to the next setting. Press the [SHUTTER / CONFIRM] button to save the new settings.
 - LANGUAGE** Set the camera's language
 - FORMAT** Erase all data on the SD card
 - RESET ALL** Reset the camera's settings to factory default.

Video Mode Settings

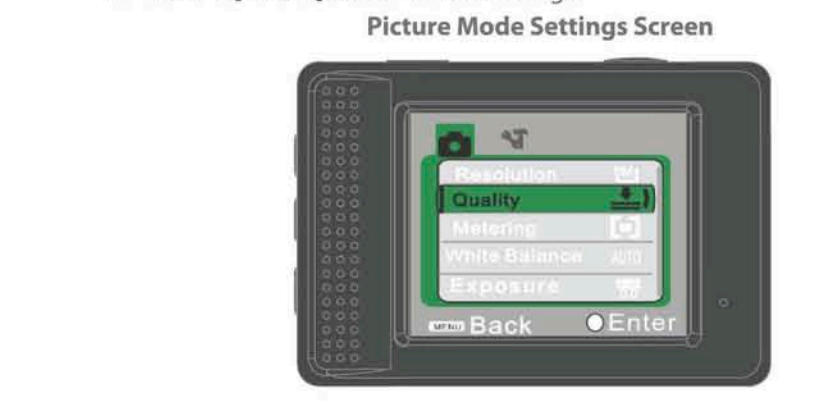
- To make changes to the video mode settings, follow the instructions below:
1. Turn the camera ON. The [V] icon will appear in the upper left side of the LCD screen, meaning you are in Video mode.
 2. Press the [MENU] button.
 3. Use the [▲] or [▼] buttons to scroll through the settings.
 4. Press the [SHUTTER / CONFIRM] button to select the desired setting.
 5. Use the [▲] or [▼] buttons to scroll through the options.
 6. Press the [SHUTTER / CONFIRM] button to confirm the option.
 7. Press the [MENU] button to exit settings.



- #### Video Mode Settings Options
- MOVIE SIZE** FHD 1920x1080 / HD 1280x720 / 640 640x480
 - REC INTERVAL** Cap your videos to a specified period of time (off, 1 min, 3 min, 5 min)
 - 180° ROTATION** OFF/ON
 - METERING** Center / Multi / Spot
 - EFFECT** Auto / Daylight / Cloudy / Fluorescent / Tungsten
 - EFFECT EFFECT** Normal / B&W / Sepia / Negative / Red / Green / Blue
 - DATE STAMP** OFF / Date / Date&Time

Picture Mode Settings

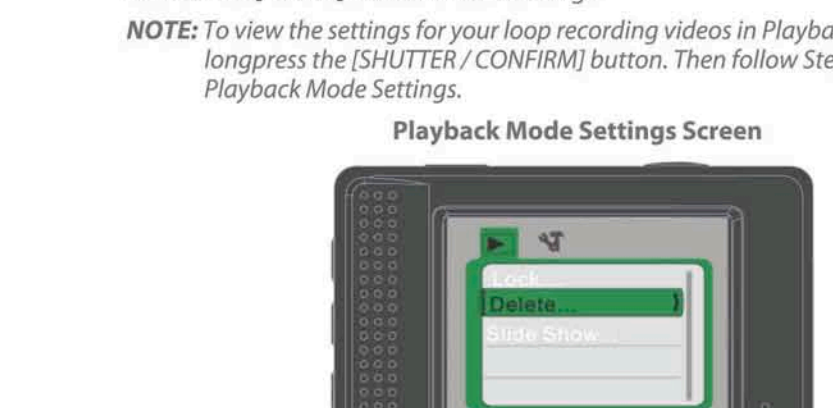
- To make changes to the picture mode settings, follow the instructions below:
1. Turn the camera ON and quickpress the [O] button once. The [A] icon will appear in the upper left side of the LCD screen, meaning you are in Picture mode.
 2. Press the [MENU] button.
 3. Use the [▲] or [▼] buttons to scroll through the settings.
 4. Press the [SHUTTER / CONFIRM] button to select the desired setting.
 5. Use the [▲] or [▼] buttons to scroll through the options.
 6. Press the [SHUTTER / CONFIRM] button to confirm the option.
 7. Press the [MENU] button to exit settings.



- #### Picture Mode Settings Options
- RESOLUTION** 12M/400x300/8M/326x244/5M/259x194/3M (2048x1536)/1M (1280x960) (Higher picture resolution takes up more space on the SD card.)
 - QUALITY** Super fine / Fine / Normal
 - METERING** Center / Multi / Spot
 - WHITE BALANCE** Auto / Daylight / Cloudy / Fluorescent / Tungsten
 - EXPOSURE** Adjust the exposure
 - DRIVER MODE** "OFF" (disables the self timer), "2" or "10" second options (self timer), "Burst" (3 frame shot)
 - EFFECT** Normal / B&W / Sepia / Negative / Red / Green / Blue
 - DATE STAMP** OFF / Date / Date&Time

Playback Mode Settings

- To make changes to the playback mode settings, follow the instructions below:
1. Turn the camera ON and quickpress the [O] button two times. The [O] icon will appear in the upper left side of the LCD screen, meaning you are in playback mode.
 2. Press the [MENU] button.
 3. Use the [▲] or [▼] buttons to scroll through the settings.
 4. Press the [SHUTTER / CONFIRM] button to select the desired setting.
 5. Use the [▲] or [▼] buttons to scroll through the options.
 6. Press the [SHUTTER / CONFIRM] button to confirm the option.
 7. Press the [MENU] button to exit settings.

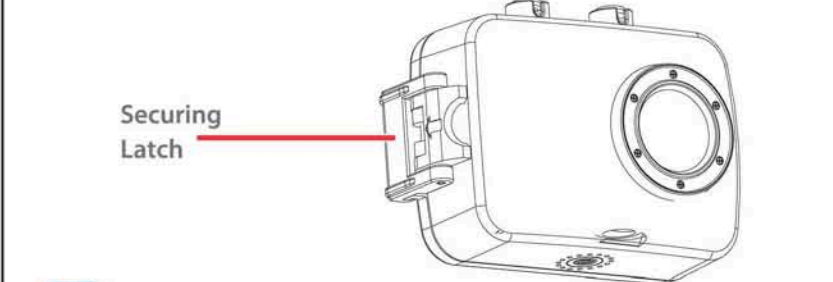


- #### Playback Mode Settings Options
- LOCK** Lock one or all of your picture and video files. When locked the files will not be deleted.
 - DELETE** "One" (Delete the currently displayed video or picture) or "All"
 - SLIDE SHOW** Start a slide show, and adjust the slide show settings.
- NOTE:** Only picture files can be used to create a slide show. Loop recording videos cannot be locked.

Waterproof Case

- #### Assembling camera into case
- Your camera comes with a Waterproof Case for underwater action and added durability. To assemble your camera to the case, follow the instructions below:
1. Open the latch on the Waterproof Case.
 2. Insert the camera lens forward into the case.
 3. Close the door and secure the latch for a maximum of two hours.

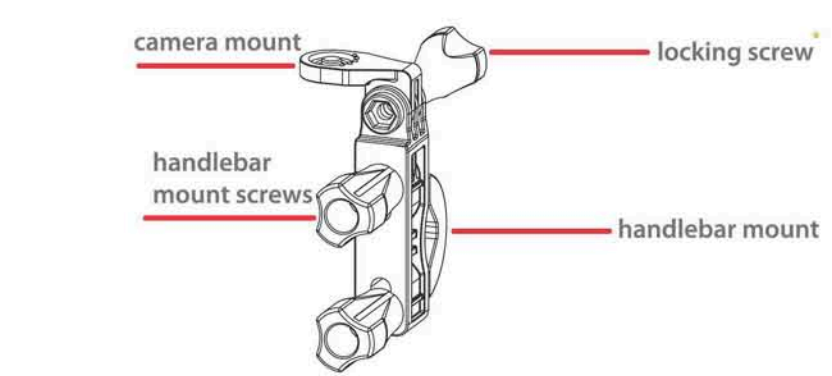
i NOTE: Please make sure latch is secure and that all seals are in place to ensure no water can seep in.



i NOTE: This camera with the case properly sealed is rated to 3 meters (10 feet) under water for a maximum of 2 hours.

Bike Mount Assembly

- #### Assembling camera to bike mount
1. Attach your camera to the Bike Mount by screwing it to the top of the Bike Mount.
 2. Remove the top half of the Bike Mount from the bottom half by pushing the mount levers in and the pushing the top half out.
 3. Insert the free end of the strap through one of the slots in the base of the Helmet Mount.
 4. Thread the same end into the helmet vent and then back up to the Helmet Mount through another vent. Then insert the strap through the other side of the Helmet Mount. Then insert the strap back through the helmet vent.
 5. You should have now both ends of the Strap inside the helmet. Take both ends of the Strap and pull to tighten and then attach together with the Velcro strap.
 6. Slide the top half of the Bike Mount on the Helmet Mount.
 7. Please note this Helmet Mount will only work with vented helmets.



1. Attach your camera to the Bike Mount by screwing it to the top of the Bike Mount.
2. Loosen the handlebar mount screws until you can slide the Bike Mount onto the handlebar of your bike. Tighten the handlebar mount screws to secure the Bike Mount.

i NOTE: This camera with the case properly sealed is rated to 3 meters (10 feet) under water for a maximum of 2 hours.

Helmet Assembly

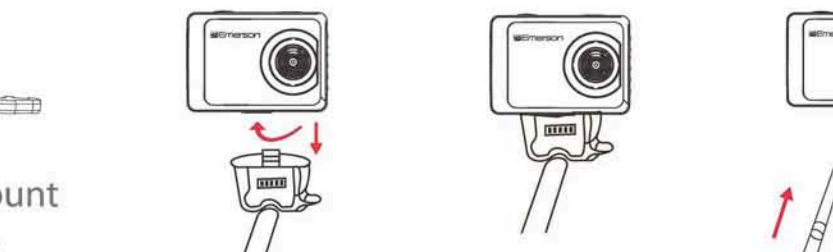
- #### Assembling camera to helmet mount
1. Attach your camera to the Selfie Stick by screwing it to the top of the Selfie Stick.
 2. Loosen the knob to adjust the angle of the camera.
 3. Extend the selfie stick to the desired length.



1. Attach your camera to the Bike Mount by screwing it to the top of the Bike Mount.
2. Remove the top half of the Bike Mount from the bottom half by pushing the mount levers in and the pushing the top half out.
3. Insert the free end of the strap through one of the slots in the base of the Helmet Mount.
4. Thread the same end into the helmet vent and then back up to the Helmet Mount through another vent. Then insert the strap through the other side of the Helmet Mount. Then insert the strap back through the helmet vent.
5. You should have now both ends of the Strap inside the helmet. Take both ends of the Strap and pull to tighten and then attach together with the Velcro strap.
6. Slide the top half of the Bike Mount on the Helmet Mount.
7. Please note this Helmet Mount will only work with vented helmets.

Selfie Stick Assembly

1. Attach your camera to the Selfie Stick by screwing it to the top of the Selfie Stick.
2. Loosen the knob to adjust the angle of the camera.
3. Extend the selfie stick to the desired length.



FCC information

FCC Part 15:
This device complies with Part 15 of the FCC Rules. Operation is subject to the following two conditions:
(1) this device may not cause harmful interference, and
(2) this device must accept any interference received, including interference that may cause undesired operation.

Warning: Changes or modifications to this equipment not expressly approved by the party responsible for compliance could void the user's authority to operate the equipment.

NOTE: This equipment has been tested and found to comply with the requirements for a Class B digital device under Part 15 of the Federal Communications Commission (FCC) rules. These requirements are intended to provide reasonable protection against harmful interference in a residential installation. This equipment generates, uses and can radiate radio frequency energy and, if not installed and used in accordance with the instructions, may cause harmful interference to radio communications.

However, there is no guarantee that interference will not occur in a particular installation. If this equipment does cause harmful interference to radio or television reception, which can be determined by turning the equipment off and on, the user is encouraged to try to correct the interference by one or more of the following measures:

- Reorient or relocate the receiving antenna.
- Increase the separation between the equipment and receiver.
- Connect the equipment into an outlet on a circuit different from that to which the receiver is connected.
- Consult the dealer or an experienced radio/TV technician for help.

Limited Warranty

In the unlikely event that this product is defective, or does not perform properly, you may within ninety (90) days from your original date of purchase return it to the authorized service center for repair or exchange.

TO OBTAIN WARRANTY SERVICE:

- Provide proof of the date of purchase within the package (Dated bill of sale).
- Prepay all shipping costs to the authorized service center, and remember to insure your return.
- Include a return shipping address (no P.O. Boxes), a telephone contact number, and the defective unit within the package.
- Describe the defect or reason you are returning the product.

Warranty service not provided

This warranty does not cover damage resulting from accident, misuse, abuse, improper installation or operation, lack of reasonable care, and unauthorized modification. This warranty is voided in the event any unauthorized person opens, alters or repairs this product. All products being returned to the authorized service center for repair must be suitably packaged.

Limitation of Warranty:

• THE WARRANTY STATED ABOVE IS THE ONLY WARRANTY APPLICABLE TO THIS PRODUCT. ALL OTHER WARRANTIES, EXPRESS OR IMPLIED (INCLUDING ALL IMPLIED WARRANTIES OF MERCHANTABILITY OR FITNESS FOR A PARTICULAR PURPOSE) ARE HEREBY DISCLAIMED. NO VERBAL OR WRITTEN INFORMATION GIVEN BY A.T. INC.'S AGENTS, OR EMPLOYEES SHALL CREATE A GUARANTEE OR IN ANY WAY INCREASE THE SCOPE OF THIS WARRANTY.

• REPAIR OR REPLACEMENT AS PROVIDED UNDER THIS WARRANTY IS THE EXCLUSIVE REMEDY OF THE CONSUMER. A.T. INC. SHALL NOT BE LIABLE FOR INCIDENTAL OR CONSEQUENTIAL DAMAGES RESULTING FROM THE USE OF THIS PRODUCT OR ARISING OUT OF ANY BREACH OF ANY EXPRESS OR IMPLIED WARRANTY ON THIS PRODUCT. THIS DISCLAIMER OF WARRANTIES AND LIMITED WARRANTY ARE GOVERNED BY THE LAWS OF THE STATE OF NEW YORK, EXCEPT TO THE EXTENT PROHIBITED BY APPLICABLE LAW. ANY IMPLIED WARRANTY OF MERCHANTABILITY OR FITNESS FOR A PARTICULAR PURPOSE ON THIS PRODUCT IS LIMITED TO THE APPLICABLE WARRANTY PERIOD SET FORTH ABOVE.

Some states do not allow the exclusion nor limitation of incidental or consequential damages, or limitations on how long an implied warranty lasts so the above limitations or exclusions may not apply to you. This warranty gives you specific legal rights, and you also may have other rights that vary from state to state.

The shipping address of the authorized service center is:

Southern Telecom, Inc.
Attention: Customer Service (2nd Floor)
14-C 53rd Street
Brooklyn, NY 11232

Should you have any questions or problems concerning this product, please contact our customer service department at:

Customer Support:
1-877-768-8481 (Toll Free)
Monday - Friday 9AM - 10PM EST
www.southern telecom.com
Click on "Product Support"

www.southern telecom.com

Free Manuals Download Website

<http://myh66.com>

<http://usermanuals.us>

<http://www.somanuals.com>

<http://www.4manuals.cc>

<http://www.manual-lib.com>

<http://www.404manual.com>

<http://www.luxmanual.com>

<http://aubethermostatmanual.com>

Golf course search by state

<http://golfingnear.com>

Email search by domain

<http://emailbydomain.com>

Auto manuals search

<http://auto.somanuals.com>

TV manuals search

<http://tv.somanuals.com>