



Model WA09T18XXB, WA09T35XXB

INSTALLATION INSTRUCTIONS

Please carefully read and save these instructions. Failure to do so may lead to electrical shock or fire, which could cause injury or death.

CAUTION

Risk of fire: Min 90°C supply conductors. Consult a qualified electrician to ensure correct branch circuit conductor.

GENERAL

- All electrical connections must be in accordance with National Electrical Code (NEC) and local codes. Prior to installation, it is important to follow the following guidelines:
- Turn off the main power at the circuit breaker before installing the fixture, to prevent possible shock.
- Be sure that all wires were not damaged during installation and that there are no rough or sharp edges in contact with the wires.
- Use only the lamp types and wattages which are specified on the fixture's lamp replacement label.

TOOLS

Tools needed for installation: Flathead screwdriver, pliers, pencil, drill, 1/4 inch drill bit

PREPARATION

1. Turn off the power at the circuit breaker box.
2. Pull the diffuser 4 ft side to remove it from fixture edge. Carefully separate the diffuser from the fixture channel. *Note: The diffuser is very fragile.*
3. Remove the center cover.
4. Punch out the center knockout (4) using a flathead screwdriver. Use pliers to remove the knockout (4) from the fixture channel (1). **[FIG. 1]**

INSTALLATION

1. Place the fixture channel (1) flush against the ceiling surface. Be sure to center the knockout hole (4) over the electrical outlet box or ceiling opening for the supply wiring. Mark the location of the fixture mounting holes (6).
2. Drill 1/4" holes at the marked locations. *Note: If a ceiling joist is encountered during drilling, do not continue. Use a 2" - #8 wood screw (not included) instead of the hardware provided in Step 3.* **[FIG. 1]**
3. Place the fixture channel (1) over the outlet box or ceiling opening. Pull the supply wires through the knockout hole (4). Place the fixture flush against the ceiling. Secure the fixture channel (1) to the ceiling using hardware (7) provided. **[FIG. 1]**

NOTE: Battery supply wire needs constant uninterrupted power supply and should not be on a switch.

4. With the power off, insert the black supply wire into the black side of the quick connector. Connect the white supply wire to the white side of the quick connector. Connect the white battery connectors together. Use a wire nut to connect the black battery wire to the black fixture wire. **[FIG. 2]**
5. Connect the fixture ground wire and the supply ground wire together using a wire nut. Wrap the wire connections with electrical tape for a more secure connection. **[FIG. 3]**

6. Insert the black ON/OFF switch wire into the black side of the quick connector. **[FIG. 2]**
7. Install the center cover.
8. Install the LED lamps (3). Slide the LED lamp pins (3) on each side of each lamp into the center slots of opposing lamp socket (5). Twist each lamp (3) a quarter turn until it snaps into place. **[FIG. 1]** *Note: Install the lamp types and sizes that are indicated on the lamp replacement label. Do not exceed the wattage specifications indicated on the same label.*
9. Install the diffuser (2).

OPERATION

Normal Mode: AC power is present. The AC driver operates the LED T8 lamps as designed. The emergency battery pack is charging in a standby mode. The test button will be lit, showing that the battery is charging

Emergency Mode: When the AC power goes out, the emergency battery pack detects the power outage and automatically switches to the emergency mode. One of LED T8 lamps will be illuminated for a minimum of 90 minutes. When AC power is restored, the emergency battery pack switches back to Normal Mode and resume battery charging.

Battery Charging Time: 24 hours

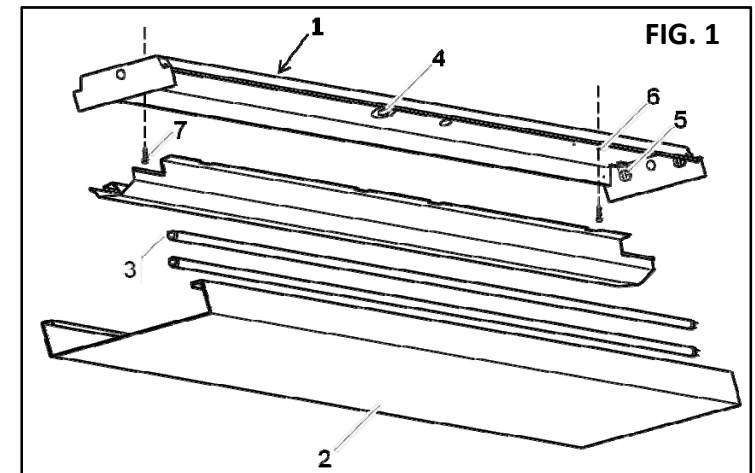
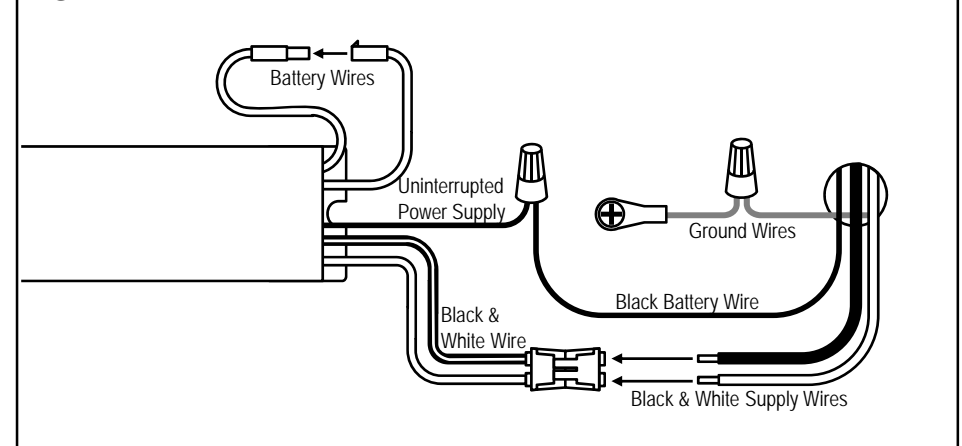


FIG. 2



Free Manuals Download Website

<http://myh66.com>

<http://usermanuals.us>

<http://www.somanuals.com>

<http://www.4manuals.cc>

<http://www.manual-lib.com>

<http://www.404manual.com>

<http://www.luxmanual.com>

<http://aubethermostatmanual.com>

Golf course search by state

<http://golfingnear.com>

Email search by domain

<http://emailbydomain.com>

Auto manuals search

<http://auto.somanuals.com>

TV manuals search

<http://tv.somanuals.com>