



EPSON AcuLaser C2800 Series

User's Guide

NPD3059-00

Copyright and Trademarks

No part of this publication may be reproduced, stored in a retrieval system, or transmitted in any form or by any means, mechanical, photocopying, recording, or otherwise, without the prior written permission of Seiko Epson Corporation. No patent liability is assumed with respect to the use of the information contained herein. Neither is any liability assumed for damages resulting from the use of the information contained herein.

Neither Seiko Epson Corporation nor its affiliates shall be liable to the purchaser of this product or third parties for damages, losses, costs, or expenses incurred by purchaser or third parties as a result of: accident, misuse, or abuse of this product or unauthorized modifications, repairs, or alterations to this product, or (excluding the U.S.) failure to strictly comply with Seiko Epson Corporation's operating and maintenance instructions.

Seiko Epson Corporation and its affiliates shall not be liable against any damages or problems arising from the use of any options or any consumable products other than those designated as Original Epson Products or Epson Approved Products by Seiko Epson Corporation.

Features Zoran Corporation Integrated Print System (IPS) for print language emulation.



NEST Office Kit Copyright © 1996, Novell, Inc. All rights reserved.

A part of the ICC Profile contained within this product was created by Gretag Macbeth ProfileMaker. Gretag Macbeth is the registered trademark of Gretag Macbeth Holding AG Logo. ProfileMaker is the trademark of LOGO GmbH.

IBM and PS/2 are registered trademarks of International Business Machines Corporation.

Microsoft® and Windows® are registered trademarks of Microsoft Corporation in the United States of America and other countries.

Apple® and Macintosh® are registered trademarks of Apple, Inc.

EPSON and EPSON ESC/P are registered trademarks and EPSON AcuLaser and EPSON ESC/P 2 are trademarks of Seiko Epson Corporation.

Coronet is a trademark of Ludlow Industries (UK) Ltd.

Marigold is a trademark of Arthur Baker and may be registered in some jurisdictions.

CG Times and CG Omega are trademarks of Agfa Monotype Corporation and may be registered in certain jurisdictions.

Arial, Times New Roman and Albertus are trademarks of The Monotype Corporation and may be registered in certain jurisdictions.

ITC Avant Garde Gothic, ITC Bookman, ITC Zapf Chancery and ITC Zapf Dingbats are trademarks of International Typeface Corporation and may be registered in some jurisdictions.

Antique Olive is a trademark of Fonderie Olive.

Helvetica, Palatino, Times, Univers, Clarendon, New Century Schoolbook, Miriam and David are trademarks of Heidelberger Druckmaschinen AG which may be registered in certain jurisdictions.

Wingdings is a trademark of Microsoft Corporation and may be registered in some jurisdictions.

PCL is the registered trademark of Hewlett-Packard Company.

HP and HP LaserJet are registered trademarks of the Hewlett-Packard Company.

Adobe, the Adobe logo and PostScript3 are trademarks of Adobe Systems Incorporated, which may be registered in certain jurisdictions.

General Notice: Other product names used herein are for identification purposes only and may be trademarks of their respective owners. Epson disclaims any and all rights in those marks.

Copyright © 2007 Seiko Epson Corporation. All rights reserved.

Operating System Versions

In this manual, the following abbreviations are used.

Windows refers to Windows Vista, XP, Vista x64, XP x64, 2000, Server 2003, and Server 2003 x64.

- ❑ Windows Vista refers to Windows Vista Ultimate Edition, Windows Vista Home Premium Edition, Windows Vista Home Basic Edition, Windows Vista Enterprise Edition and Windows Vista Business Edition.
- ❑ Windows Vista x64 refers to Windows Vista Ultimate x64 Edition, Windows Vista Home Premium x64 Edition, Windows Vista Home Basic x64 Edition, Windows Vista Enterprise x64 Edition and Windows Vista Business x64 Edition.
- ❑ Windows XP refers to Windows XP Home Edition and Windows XP Professional.
- ❑ Windows XP x64 refers to Windows XP Professional x64 Edition.
- ❑ Windows 2000 refers to Windows 2000 Professional.
- ❑ Windows Server 2003 refers to Windows Server 2003 Standard Edition and Windows Server 2003 Enterprise Edition.
- ❑ Windows Server 2003 x64 refers to Windows Server 2003 x64 Standard Edition and Windows Server 2003 x64 Enterprise Edition.

Macintosh refers to Mac OS X.

- ❑ Mac OS X refers to Mac OS X 10.2.8 or later.

Contents

Copyright and Trademarks

Operating System Versions

Safety Instructions

Safety	14
Warnings, Cautions, and Notes	14
Safety precautions	14
Important Safety Instructions	16
Safety Information	18
Power On/Off Cautions	19

Chapter 1 Getting to Know Your Printer

Where to Find Information	21
Printer Parts	22
Front view	22
Rear view	23
Inside the printer	24
Control panel	25
Options and Consumable Products	26
Options	26
Consumable products	26

Chapter 2 Printer Features and Various Printing Options

Printer Features	27
High-speed tandem printing engine	27
Pre-defined color settings in the printer driver	27
Toner save mode	27
Resolution Improvement Technology and Enhanced MicroGray technology	27
Wide variety of fonts	28
Adobe PostScript 3 Mode	28
PCL Emulation Mode	28
Various Printing Options	28

Double-sided printing	29
Fit to page printing	29
Pages per sheet printing	30
Watermark printing	30
Header/Footer printing	31
Overlay printing	32
Using the Reserve Job function	32
Web-Page Printing	33

Chapter 3 Paper Handling

Paper Sources	34
MP tray	34
Standard lower paper cassette	35
550-sheet Paper Cassette Unit	35
Selecting a paper source	36
Loading Paper	37
MP tray	37
Standard lower paper cassette and optional paper cassette unit	38
Output tray	41
Printing on Special Media	42
EPSON Color Laser Paper	42
EPSON Color Laser Transparencies	43
EPSON Color Laser Coated Paper	44
Envelopes	44
Labels	46
Thick paper and extra thick paper	47
Loading a custom paper size	47

Chapter 4 Using the Printer Software with Windows

About the Printer Software	49
Accessing the printer driver	49
Making Changes to Printer Settings	50
Making the print quality settings	50
Duplex printing	55
Displaying information about consumables with the printer driver	59
Ordering Consumables	60
Modifying the print layout	60
Resizing printouts	62
Using a watermark	63
Using headers and footers	66

Using an overlay	67
Making Extended Settings	71
Making Optional Settings	71
Printing a status sheet	72
Using the Reserve Job Function	72
Re-Print Job	73
Verify Job	74
Confidential Job	76
Monitoring Your Printer Using EPSON Status Monitor	77
Installing EPSON Status Monitor	77
Accessing EPSON Status Monitor	80
Information on EPSON Status Monitor	81
Simple Status	81
Detailed Status	82
Consumables Information	83
Job Information	84
Notice Settings	86
Order Online	88
Tray Icon Settings	89
Setting Up the USB Connection	89
Canceling Printing	90
Uninstalling the Printer Software	91
Uninstalling the printer driver	91
Sharing the Printer on a Network	93
Sharing the printer	93
Using an additional driver	94
Setting up clients	98
Installing the printer driver from the CD-ROM	101

Chapter 5 Using the Printer Software with Macintosh

About the Printer Software	103
Accessing the printer driver	103
Making Changes to Printer Settings	104
Making the print quality settings	104
Resizing printouts	108
Modifying the print layout	109
Using a watermark	110
Using headers and footers	117
Duplex printing	118
Making Extended Settings	121
Using the Reserve Job Function	121

Re-Print Job	122
Verify Job	123
Confidential Job	124
Monitoring Your Printer using EPSON Status Monitor	126
Accessing EPSON Status Monitor	126
Simple Status	127
Detailed Status	127
Consumables Information	128
Job Information	129
Notice Settings	130
Setting Up the USB Connection	131
For Mac OS X users	131
Canceling Printing	132
For Mac OS X users	132
Uninstalling the Printer Software	132
For Mac OS X users	132
Sharing the Printer on a Network	133
Sharing the printer	133
For Mac OS X users	133

Chapter 6 Using the PostScript Printer Driver

About the PostScript 3 Mode	134
Hardware requirements	134
System requirements	134
Using the PostScript Printer Driver with Windows	135
Installing the PostScript printer driver for the USB interface	135
Installing the PostScript printer driver for the network interface	137
Accessing the PostScript printer driver	138
Making changes to PostScript printer settings	139
Using AppleTalk under Windows 2000	139
Using the PostScript Printer Driver with Macintosh	140
Installing the PostScript printer driver	140
Selecting the printer	140
Accessing the PostScript printer driver	142
Making changes to PostScript printer settings	142

Chapter 7 Using the PCL6/PCL5 Printer Driver

About the PCL Mode	144
Hardware requirements	144
System requirements	144

Using the PCL6/PCL5 Printer Driver	145
--	-----

Chapter 8 Using the Control Panel

Using the Control Panel Menus	146
When to make control panel settings	146
How to access the control panel menus	146
Control Panel Menus	147
Information Menu	147
Tray Menu	150
Emulation Menu	151
Printing Menu	151
Setup Menu	153
Color Regist Menu	157
Reset Menu	157
Quick Print Job Menu	158
Confidential Job Menu	158
USB Menu	159
Network Menu	160
PCL Menu	161
PS3 Menu	163
ESCP2 Menu	164
FX Menu	167
I239X Menu	169
Password Config Menu	171
Status and Error Messages	171
Printing and Deleting Reserve Job Data	182
Using the Quick Print Job Menu	182
Using the Confidential Job Menu	183
Printing a Status Sheet	184
Adjusting Color Registration	185
Canceling Printing	185
Using the Cancel Job button	185
Using the Reset menu	186

Chapter 9 Installing Options

Optional Paper Cassette Unit	187
Handling precautions	187
Installing the optional paper cassette unit	187
Removing the optional paper cassette unit	191
Duplex Unit	191

Installing the Duplex Unit	191
Removing the Duplex Unit.....	195
Memory Module.....	196
Installing a memory module	196
Removing a memory module	201

Chapter 10 Replacing Consumable Products

Replacement Messages	202
Imaging Cartridge	202
Handling precautions	202
Replacing an imaging cartridge.....	203
Fuser Unit	207
Handling precautions	207
Replacing the fuser unit	207
Transfer Unit.....	213
Handling precautions	213
Replacing the transfer unit.....	213

Chapter 11 Cleaning and Transporting the Printer

Cleaning the Printer	218
Cleaning the pickup roller	219
Transporting the Printer	221
Finding a place for the printer	221
For long distances	222
For short distances.....	223

Chapter 12 Troubleshooting

Clearing Jammed Paper.....	224
Precautions for clearing jammed paper	224
Paper Jam MP C1 A.....	225
Paper Jam C1 A	227
Paper Jam C2 C1 A	229
Paper Jam A B.....	231
Paper Jam A D	234
Printing a Status Sheet.....	237
Operational Problems	237
The Ready light does not turn on	237
The printer does not print (Ready light off).....	237

The Ready light is on but nothing prints	237
The optional product is not available	238
The remaining service lives of the imaging cartridges are not updated (For Windows users only)	238
Printout Problems	239
The font cannot be printed	239
Printout is garbled	239
The printout position is not correct	239
Misalignment of colors	240
Graphics do not print correctly	240
Transparencies are output blank from the MP tray	240
Color Printing Problems	241
Cannot print in color	241
The printout color differs when printed from different printers	241
The color looks different from what you see on the computer screen	241
Print Quality Problems	242
The background is dark or dirty	242
White dots appear in the printout	242
Print quality or tone is uneven	242
Half-tone images print unevenly	243
Toner smudges	243
Areas are missing in the printed image	243
Completely blank pages are output	244
The printed image is light or faint	244
The non-printed side of the page is dirty	245
Memory Problems	245
Print quality decreased	245
Insufficient memory for current task	245
Insufficient memory to print all copies	245
Paper Handling Problems	246
Paper does not feed properly	246
Problems Using Options	246
Paper does not feed from the optional paper cassette	246
Feed jam when using the optional paper cassette	247
An installed option cannot be used	247
Correcting USB Problems	248
USB connections	248
Windows operating system	248
Printer software installation	248
Status and Error Messages	249
Canceling Printing	249
Printing in the PostScript 3 Mode Problems	250
The printer does not print correctly in the PostScript mode	250

The printer does not print	250
The printer driver or printer that you need to use does not appear in the Printer Setup Utility (Mac OS 10.3.x and 10.4.x) or Print Center (Mac OS 10.2)	251
The font on the printout is different from that on the screen	251
The printer fonts cannot be installed	251
The edges of texts and/or images are not smooth	251
The printer does not print normally via the USB interface	252
The printer does not print normally via the network interface	252
An undefined error occurs (Macintosh only)	252
Printing in the PCL6/5 Mode Problems	253
The printer does not print	253
The printer does not print correctly in the PCL mode	253
The font on the printout is different from that on the screen	253
The edges of texts and/or images are not smooth	253
The Custom button is grayed out and the custom paper size cannot be created (Windows Vista/Vista x64 only)	254
The items in the Tray tab/Printer tab are grayed out and these items cannot be changed (Windows Vista/Vista x64 only)	254

Appendix A Customer Support

Contacting Customer Support	255
Before Contacting Epson	255
Help for Users in Europe	255
Help for Users in Australia	255
Help for Users in Singapore	256
Help for Users in Thailand	257
Help for Users in Vietnam	257
Help for Users in Indonesia	257
Help for Users in Hong Kong	259
Help for Users in Malaysia	259
Help for Users in India	260
Help for Users in the Philippines	261

Appendix B Technical Specifications

Paper	262
Available paper types	262
Paper that should not be used	262
Printable area	263
Printer	264
General	264

Environmental	265
Mechanical	265
Electrical	266
Standard and approvals	266
Interfaces	267
USB interface	267
Ethernet interface	267
Options and Consumable Products	268
Optional paper cassette unit	268
Duplex Unit	269
Memory modules	269
Imaging cartridge	270
Fuser unit	270
Transfer unit	270


Index

Safety Instructions

Safety

Warnings, Cautions, and Notes

 **Warnings**
must be followed carefully to avoid bodily injury.

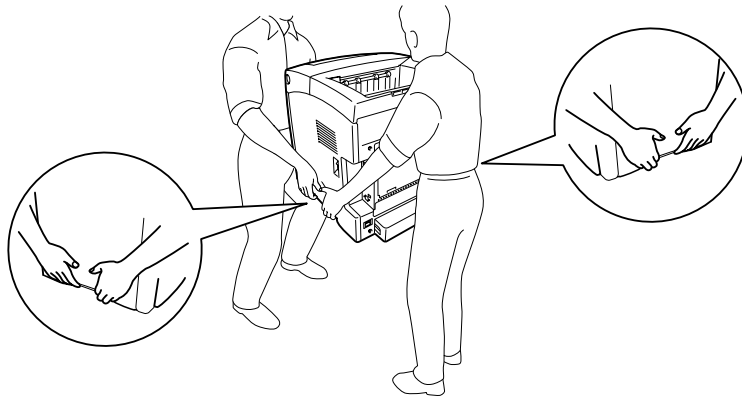
 **Cautions**
must be observed to avoid damage to your equipment.

Notes
contain important information and useful tips on the operation of your printer.

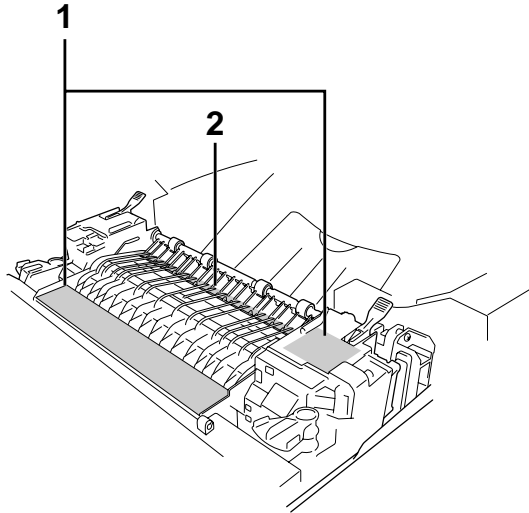
Safety precautions

Be sure to follow the precautions carefully to ensure safe, efficient operation:

- ❑ Because the printer weighs approximately 28 kg (61.7 lb) with consumable products installed, one person should not lift or carry it. Two people should carry the printer, lifting it by the correct positions as shown below.



- ❑ Be careful not to touch the fuser, which is marked **CAUTION HIGH TEMPERATURE**, or the surrounding areas. If the printer has been in use, the fuser and the surrounding areas may be very hot. If you must touch one of these areas, wait 30 minutes to allow the heat to subside before doing so.



1. CAUTION HIGH TEMPERATURE

2. Do not insert your hand deep into the fuser unit.

- ❑ Do not insert your hand deep into the fuser unit as some components are sharp and may cause injury.
- ❑ Avoid touching the components inside the printer unless instructed to do so in this guide.
- ❑ Never force the printer's components into place. Although the printer is designed to be sturdy, rough handling can damage it.
- ❑ When handling an imaging cartridge, always place it on a clean, smooth surface.
- ❑ Do not attempt to modify an imaging cartridge or take it apart. It cannot be refilled.
- ❑ Do not touch the toner. Keep the toner away from your eyes.
- ❑ Do not dispose of used imaging cartridge or transfer unit in fire, as they can explode and cause injury. Dispose of them according to local regulations.
- ❑ If toner is spilled, use a broom and dustpan or a damp cloth with soap and water to clean it up. Because the fine particles can cause a fire or explosion if they come into contact with a spark, do not use a vacuum cleaner.
- ❑ Wait at least one hour before using an imaging cartridge after moving it from a cool to a warm environment to prevent damage from condensation.

- ❑ When removing the imaging cartridge, do not expose it to sunlight at all and avoid exposing it to room light for more than five minutes. The imaging cartridge contains a light-sensitive drum that is purple. Exposure to light can damage the drum, causing dark or light areas to appear on the printed page and reducing the service life of the drum. If you need to keep the imaging cartridge out of the printer for long periods, cover it with an opaque cloth.
- ❑ Be careful not to scratch the surface of the drum. When you remove the imaging cartridge from the printer, always place it on a clean, smooth surface. Avoid touching the drum, since oil from your skin can permanently damage its surface and affect print quality.
- ❑ To get the best print quality, do not store the imaging cartridge in an area subject to direct sunlight, dust, salty air, or corrosive gases (such as ammonia). Avoid locations subject to extreme or rapid changes in temperature or humidity.
- ❑ Be sure to keep consumable components out of the reach of children.
- ❑ Do not leave jammed paper inside the printer. This can cause the printer to overheat.
- ❑ Avoid sharing outlets with other appliances.
- ❑ Use only an outlet that meets the power requirements of this printer.

Important Safety Instructions

Read all of the following instructions before operating your printer:

When choosing a place and power source for the printer

- ❑ Place the printer near an electrical outlet where you can easily plug in and unplug the power cord.
- ❑ Do not place the printer on an unstable surface.
- ❑ Do not put your printer where the cord will be stepped on.
- ❑ Slots and openings in the cabinet and the back or bottom are provided for ventilation. Do not block or cover them. Do not put the printer on a bed, sofa, rug, or other similar surface or in a built-in installation unless proper ventilation is provided.
- ❑ All interface connectors for this printer are Non-LPS (non-limited power source).
- ❑ Connect your printer to an electrical outlet that meets the power requirements of this printer. Your printer's power requirements are indicated on a label attached to the printer. If you are not sure of the power supply specifications in your area, contact your local power company or consult your dealer.
- ❑ If you are unable to insert the AC plug into the electrical outlet, contact an electrician.

- ❑ Avoid using outlets that other appliances are plugged into.
- ❑ Use the type of power source indicated on the label. If you are not sure of the type of power available, consult your dealer or local power company.
- ❑ If you are unable to insert the plug into the outlet, contact a qualified electrician.
- ❑ When connecting this product to a computer or other device with a cable, ensure the correct orientation of the connectors. Each connector has only one correct orientation. Inserting a connector in the wrong orientation may damage both devices connected by the cable.
- ❑ If you use an extension cord, make sure that the total of the ampere ratings on the products plugged into the extension cord does not exceed the extension cord ampere rating.
- ❑ Unplug this printer from the wall outlet and refer servicing to a qualified service representative under the following conditions:
 - A. When the power cord or plug is damaged or frayed.
 - B. If liquid has been spilled into it.
 - C. If it has been exposed to rain or water.
 - D. If it does not operate normally when the operating instructions are followed. Adjust only those controls that are covered by the operating instructions since improper adjustment of other controls may result in damage and will often require extensive work by a qualified technician to restore the product to normal operation.
 - E. If it has been dropped or the cabinet has been damaged.
 - F. If it exhibits a distinct change in performance, indicating a need for service.

When using the printer

- ❑ The printer weighs about 28 kg (61.7 lb). One person should not attempt to lift or carry the printer. Two people should carry it.
- ❑ Follow all warnings and instructions marked on the printer.
- ❑ Unplug this printer from the wall outlet before cleaning.
- ❑ Use a well-wrung cloth for cleaning and do not use liquid or aerosol cleaners.
- ❑ Avoid touching the components inside the printer unless instructed to do so in this guide.
- ❑ Never force printer components into place. Although the printer is designed to be sturdy, rough handling can damage it.
- ❑ Be sure to keep consumables out of the reach of children.

- ❑ Do not use printer in a damp environment.
- ❑ Do not leave jammed paper inside of the printer. This can cause the printer to overheat.
- ❑ Never push objects of any kind through cabinet slots as they may touch dangerous voltage points or short out parts that could result in a risk of fire or electric shock.
- ❑ Never spill liquid of any kind on the printer.
- ❑ Except as specifically explained in the printer's documentation, do not attempt to service this product yourself.
- ❑ Adjust only those controls that are covered by the operating instructions. Improper adjustment of other controls may result in damage and may require repair by a qualified service representative.

Safety Information

Power cord

**Caution:**

Be sure the AC power cord meets the relevant local safety standards.

Use only the power cord that comes with this product. Use of the another cord may result in fire or electric shock.

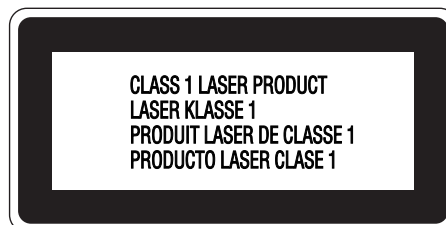
This product's power cord is for use with this product only. Use with other equipment may result in fire or electric shock.

Laser safety labels

**Warning:**

The performance of procedures and adjustments other than those specified in the printer's documentation may result in hazardous radiation exposure.

Your printer is a Class 1 laser product as defined in the IEC60825 specifications. The label shown is attached to the back of the printer in countries where required.



Internal laser radiation

Max. Average Radiation Power: 5 mW at laser aperture

Wavelength: 770 to 800 nm

This is a Class III b Laser Diode Assembly that has an invisible laser beam. The printer head unit is NOT A SERVICE ITEM, therefore, the printer head unit should not be opened under any circumstances. An additional laser warning label is affixed to the inside of the printer.

Ozone safety

Ozone emission

Ozone gas is generated by laser printers as a by-product of the printing process. Ozone is produced only when the printer is printing.

Ozone exposure limit

The recommended exposure limit for ozone is 0.1 parts per million (ppm) expressed as an average time-weighted concentration over an eight (8) hour period.

The Epson laser printer generates less than 0.1 ppm for eight (8) hours of continuous printing.

Minimize the risk

To minimize the risk of exposure to ozone, you should avoid the following conditions:

- Use of multiple laser printers in a confined area
- Operation in conditions of extremely low humidity
- Poor room ventilation
- Long, continuous printing together with any of the above

Printer location

The printer should be located so that the exhaust gases and heat generated are:

- Not blown directly into the user's face
- Vented directly out of the building whenever possible

Power On/Off Cautions

Do not turn off the printer:

- ❑ After turning on the printer, wait until **Ready** appears on the LCD panel.
- ❑ While the **Ready** light is flashing.
- ❑ While the **Data** light is on or flashing.
- ❑ While printing.

Chapter 1

Getting to Know Your Printer

Where to Find Information

Setup Guide

Provides you with information on assembling the printer and installing the printer software.

User's Guide (this manual)

Provides you with detailed information on the printer's functions, optional products, maintenance, troubleshooting, and technical specifications.

Network Guide

Provides network administrators with information on both the printer driver and network settings. You need to install this guide from the Network Utilities CD-ROM* to your computer's hard disk to be able to refer to it.

* The Network Utilities CD-ROM may not be included with the product in some countries or regions. In this case, you can install the Network Guide from the Software CD-ROM.

Paper Jam Guide

Provides you with solutions for paper jam problems about your printer you may need to refer to on a regular basis. We recommend printing this guide and keeping it near the printer.

Font Guide

Provides you with information on fonts used on the printer. You need to copy this guide, or you can open it directly from following directory on the software CD-ROM.

For Windows: /COMMON/MANUAL/ENG/FNTG

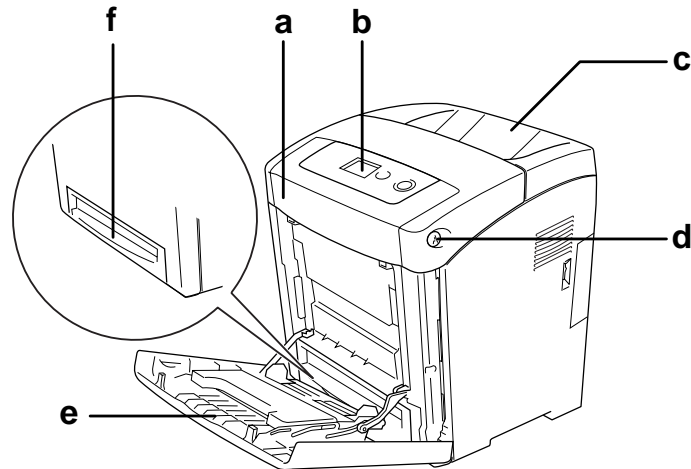
For Macintosh: MANUAL:ENG:FNTG

Online Help for printer software

Click **Help** for detailed information and instructions on the printer software that controls your printer. Online help is automatically installed when you install the printer software.

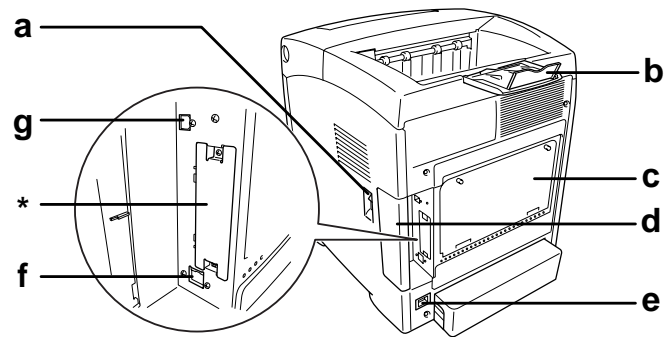
Printer Parts

Front view



- a. front cover (cover A)
- b. control panel
- c. output tray
- d. latch on front cover (cover A)
- e. MP tray (Multi-Purpose tray)
- f. standard lower paper cassette

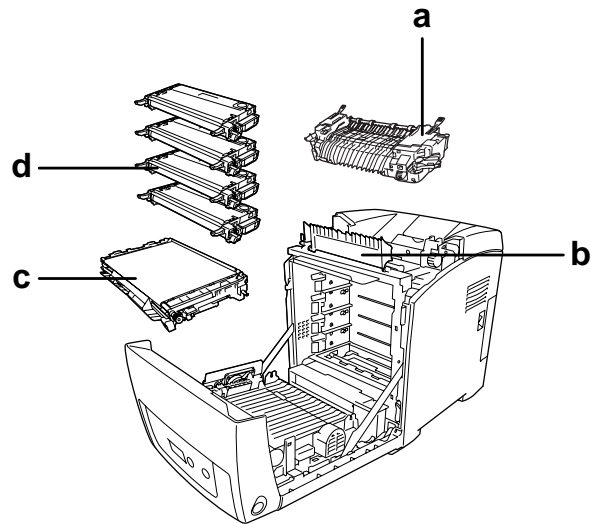
Rear view



- a. power switch
- b. stopper
- c. controller option expanded aperture plate
- d. interface cover
- e. AC inlet
- f. Ethernet interface connector
- g. USB interface connector

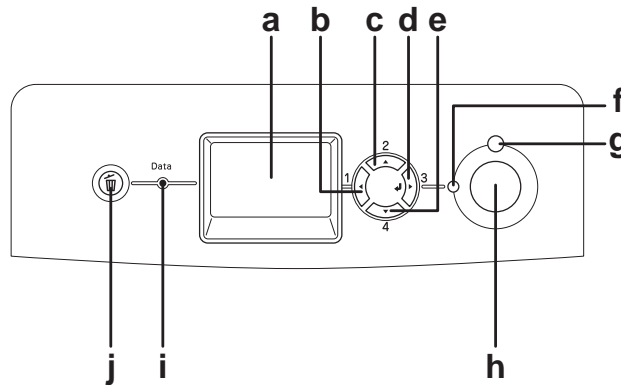
* Do not open or remove this cover.

Inside the printer



- a. fuser unit
- b. paper guide
- c. transfer unit
- d. imaging cartridges

Control panel



- | | | |
|----|----------------------------|--|
| a. | LCD panel | Displays printer status messages and control panel menu settings. |
| b. | Back button | Use these buttons to access the control panel menus, where you can make printer settings and check the status of consumable products. For instructions on how to use these buttons, see "Using the Control Panel Menus" on page 146. |
| c. | Up button | |
| d. | Enter button | |
| e. | Down button | |
| f. | Ready light (Green) | On when the printer is ready, indicating that the printer is ready to receive and print data.
Off when the printer is not ready. |
| g. | Error light (Red) | On or flashes when an error has occurred. |
| h. | Start/Stop button | When the printer is printing, pressing this button stops the printing.
When the error light is flashing, pressing this button clears the error and switches the printer to ready status. |
| i. | Data light (Yellow) | On when print data is stored in the print buffer (the section of printer memory reserved for receiving data) but not yet printed.
Flashes when the printer is processing data.
Off when no data remains in the print buffer. |
| j. | Cancel Job button | Press once to cancel the current print job. Press and hold for more than two seconds to delete all jobs from the printer memory. |

Options and Consumable Products

Options

You can add to your printer's capabilities by installing any of the following options.

- ❑ 550-sheet Paper Cassette Unit (C12C802291)
This unit increases paper feeding capacity up to 550 sheets of paper.
- ❑ Duplex Unit (C12C802301)
This unit allows for automatic printing on both sides of paper.
- ❑ Memory Module
This option expands the printer's memory by allowing you to print complex and graphics-intensive documents. The printer's RAM can be increased up to 640 MB by adding one additional 512 MB RAM DIMM.

Note:

Make sure that the DIMM you purchase is compatible with EPSON products. For details, contact the store where you purchased this printer or an EPSON qualified service representative.

Consumable products

The life of the following consumable products is monitored by the printer. The printer lets you know when replacements are needed.

Product name	Product code
High Capacity Imaging Cartridge (Yellow)	1158
High Capacity Imaging Cartridge (Magenta)	1159
High Capacity Imaging Cartridge (Cyan)	1160
High Capacity Imaging Cartridge (Black)	1161
Standard Capacity Imaging Cartridge (Yellow)	1162
Standard Capacity Imaging Cartridge (Magenta)	1163
Standard Capacity Imaging Cartridge (Cyan)	1164
Standard Capacity Imaging Cartridge (Black)	1165
Transfer Unit	3024
Fuser Unit (110-120 V)	3026
Fuser Unit (220-240 V)	3025

Chapter 2

Printer Features and Various Printing Options

Printer Features

The printer comes with a full set of features that contributes to ease of use and consistent, high-quality output. The main features are described below.

High-speed tandem printing engine

Your printer's state-of-the-art tandem engine features 400 MHz image processing and single-pass technology that delivers 20 ppm (pages per minute) at 4800 RIT* color printing and 25 ppm black and white printing on A4 paper.

* Epson AcuLaser Resolution Improvement Technology

Pre-defined color settings in the printer driver

The printer driver offers many pre-defined settings for color printing, allowing you to optimize print quality for various types of color documents.

For Windows, see "Making the print quality settings" on page 50 for more information.
For Macintosh, see "Making the print quality settings" on page 104 for more information.

Toner save mode

To reduce the amount of toner used in printing documents, you can print rough drafts using the Toner Save mode.

Resolution Improvement Technology and Enhanced MicroGray technology

Resolution Improvement Technology (RITech) is an original Epson printer technology that works by smoothing out the jagged edges of diagonal and curved lines in both text and graphics. Enhanced MicroGray improves the halftone quality of graphics.

Wide variety of fonts

The printer comes with a selection of 84 scalable fonts, and 7 bitmap fonts in ESC/Page mode to provide you with the fonts you need to create professional-looking documents.

Adobe PostScript 3 Mode

The printer's Adobe PostScript 3 Mode provides you with the ability to print documents formatted for PostScript printers. Seventeen scalable fonts are included. IES (Intelligent Emulation Switch) and SPL (Shared Printer Language) support allow the printer to switch between the PostScript mode and other emulations as print data is received at the printer.

The PostScript 3 Mode enables you to print PDF formatted files directly, which are transferred via network interface.

PCL Emulation Mode

The PCL Emulation mode provides you with the ability to print documents in the PCL6/5c printing language with this printer.

Various Printing Options

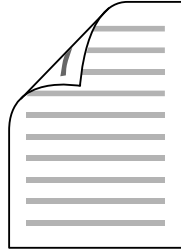
This printer provides you with a variety of different printing options. You can print in various formats, or can print using many different types of paper.

The following explains the procedure for each type of printing. Choose the appropriate one for your printing.

Double-sided printing

“Duplex printing” on page 55 (Windows)

“Duplex printing” on page 118 (Macintosh)

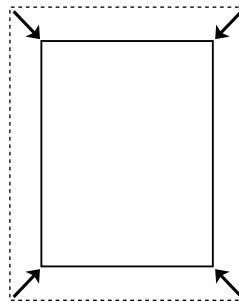
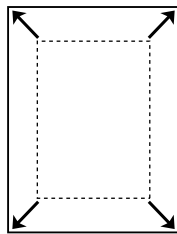


Lets you print on both sides of the paper.

Fit to page printing

“Resizing printouts” on page 62 (Windows)

“Resizing printouts” on page 108 (Macintosh)

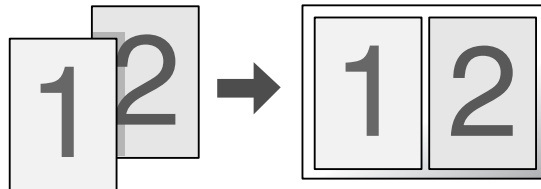


Lets you automatically enlarge or reduce the size of your document to fit the paper size you selected.

Pages per sheet printing

“Modifying the print layout” on page 60 (Windows)

“Modifying the print layout” on page 109 (Macintosh)

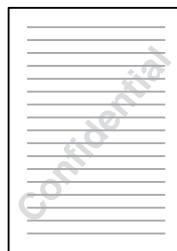


Lets you print two or four pages on a single sheet.

Watermark printing

“Using a watermark” on page 63 (Windows)

“Using a watermark” on page 110 (Macintosh)

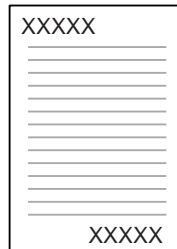


Lets you print text or an image as a watermark on your printout. For example, you can put “Confidential” on an important document.

Header/Footer printing

“Using headers and footers” on page 66 (Windows)

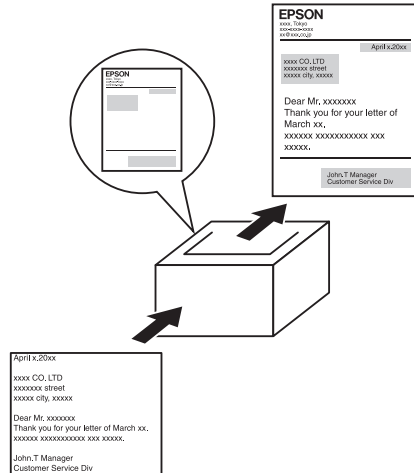
“Using headers and footers” on page 117 (Macintosh)



Lets you print a header and footer on the top or bottom of the paper.

Overlay printing

“Using an overlay” on page 67 (Windows)



Lets you prepare standard forms or template on your printout that you can use as overlays when printing other documents.

Note:

The Overlay printing function is not available in the PostScript 3 mode.

Using the Reserve Job function

“Memory Module” on page 196

“Using the Reserve Job Function” on page 72 (Windows)

“Using the Reserve Job Function” on page 121 (Macintosh)

Lets you print jobs that you stored in the printer’s memory later directly from the printer’s control panel.

Web-Page Printing

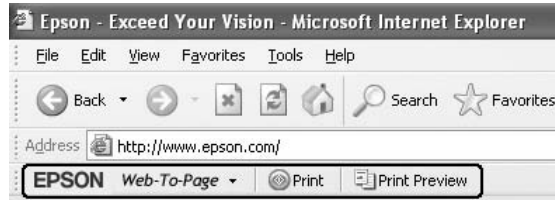
EPSON Web-To-Page lets you make Web pages fit to your paper size when printing. You can also see a preview before printing.

Note:

- ❑ *This software is for Windows only.*
- ❑ *Install EPSON Web-To-Page from the printer software CD-ROM to use this function.*

Accessing EPSON Web-To-Page

After you install EPSON Web-To-Page, the menu bar is displayed on the Microsoft Internet Explorer Toolbar. If it does not appear, select **Toolbars** from the View menu of Internet Explorer, and then select **EPSON Web-To-Page**.



Chapter 3

Paper Handling

Paper Sources

This section describes the combinations of paper sources and paper types that you can use.

MP tray

Paper Type	Paper Size	Capacity
Plain paper Weight: 60 to 80 g/m ²	A4, A5, B5, Letter (LT), Half-Letter (HLT), Executive (EXE), Government Legal (GLG), Legal (LGL), Government Letter (GLT) Custom-size paper: 76.2 × 98.4 mm minimum 220 × 355.6 mm maximum	Up to 150 sheets (Total thick stack: up to 15 mm)
Semi-Thick paper Weight: 81 to 105 g/m ²	A4, A5, B5, Letter (LT), Half-Letter (HLT), Executive (EXE), Government Legal (GLG), Legal (LGL), Government Letter (GLT) Custom-size paper: 76.2 × 98.4 mm minimum 220 × 355.6 mm maximum	Up to 15 mm thick stack
Envelopes Weight: 75 to 105 g/m ²	DL, ISO-B5, C5	Up to 15 mm thick stack
Labels	A4, Letter (LT)	Up to 15 mm thick stack
Thick paper Weight: 106 to 163 g/m ²	A4, A5, B5, Letter (LT), Half-Letter (HLT), Executive (EXE), Government Letter (GLT) Custom-size paper: 76.2 × 98.4 mm minimum 220 × 355.6 mm maximum	Up to 15 mm thick stack

Extra thick paper Weight: 164 to 216 g/m ²	A4, A5, B5, Letter (LT), Half-Letter (HLT), Executive (EXE), Government Letter (GLT) Custom-size paper: 76.2 × 98.4 mm minimum 220 × 355.6 mm maximum	Up to 15 mm thick stack
EPSON Color Laser Paper Weight: 82 g/m ²	A4	Up to 150 sheets (Total thick stack: up to 15 mm)
EPSON Color Laser Transparencies	A4, Letter (LT)	Up to 75 sheets (Total thick stack: up to 15 mm)
EPSON Color Laser Coated Paper Weight: 103 g/m ²	A4	Up to 15 mm thick stack

Standard lower paper cassette

Paper Type	Paper Size	Capacity
Plain paper Weight: 60 to 105 g/m ²	A4, A5, B5, Letter (LT), Executive (EXE), Legal (LGL), Government Legal (GLG)	Up to 250 sheets (Total thick stack: up to 27.6 mm)
EPSON Color Laser Paper Weight: 82 g/m ²	A4	

550-sheet Paper Cassette Unit

Paper Type	Paper Size	Capacity
Plain paper Weight: 60 to 105 g/m ²	A4, A5, B5, Letter (LT), Executive (EXE), Legal (LGL), Government Legal (GLG)	Up to 550 sheets (Total thick stack: up to 59.4 mm)
EPSON Color Laser Paper Weight: 82 g/m ²	A4	

Selecting a paper source

You can set the printer to select a paper source containing the appropriate size of paper automatically, or specify a paper source manually, using the printer driver or the printer's control panel. To access the printer driver, for Windows, see "Accessing the printer driver" on page 49, or for Macintosh, see "Accessing the printer driver" on page 103. And to use the printer's control panel, see "Using the Control Panel Menus" on page 146.

Using the printer driver

For Windows:

Access the printer driver, click the **Basic Settings** tab, and select **Auto Selection** as the paper source. Then click **OK**.

Note:

To specify a paper source manually, specify the paper source you want to use in the Paper Source list.

For Macintosh:

Access the printer driver, select **Printer Settings** from the drop-down list and click the **Basic Settings** tab. Then, select **Auto Selection** from the Paper Source list and click **Print**.

Note:

To specify a paper source manually, specify the paper source you want to use in the Paper Source list.

Using the control panel

Access the control panel's Setup Menu, and select Paper Source, then select Auto.

Note:

To specify a paper source manually, specify the paper source you want to use in the Paper Source menu.

Paper source priority when Auto is selected

The printer will search for a paper source containing the specified paper size in the following order.

Standard configuration:

MP tray
Cassette 1

With 550-sheet Paper Cassette Unit installed:

MP tray
Cassette 1
Cassette 2

Note:

- ❑ *If you make paper size settings or paper source settings in your application, these settings may override the printer driver settings.*
- ❑ *If you select an envelope for the printer driver's Paper Size setting, it can be fed only from the MP tray regardless of the printer driver's Paper Source setting.*
- ❑ *You can change the priority of the MP tray by using the MP Mode setting in the control panel's Setup Menu. For details, see "Setup Menu" on page 153.*

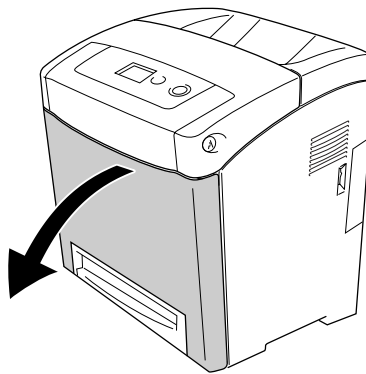
Loading Paper

This section describes how to load paper. If you use special media such as transparencies or envelopes, see also "Printing on Special Media" on page 42.

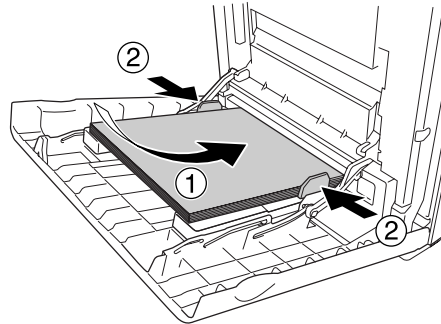
MP tray

Follow the steps below to load paper into the MP tray.

1. Open the MP tray.



2. Load a stack of the desired paper with the printable surface down, then slide the guides against the sides of the stack to get a snug fit.



Note:

- When loading the paper, insert the short edge first.
- Do not load paper that exceeds the maximum stack height.
- Straighten the paper before loading it. If curled paper is loaded, it may not feed correctly.
- After loading paper, set the MP Tray Size /MP Type settings to match the loaded paper size on the control panel.
- To print on the back side of previously printed paper, use the MP tray. The duplex printing cannot be used for this purpose.

Standard lower paper cassette and optional paper cassette unit

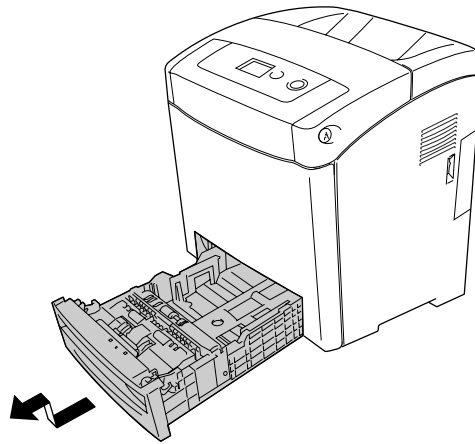
The paper sizes and types supported by the optional paper cassette unit are the same as the standard lower cassette unit. For more information, see "550-sheet Paper Cassette Unit" on page 35.

The paper-loading procedure is the same for the standard lower cassette and the optional paper cassette unit.

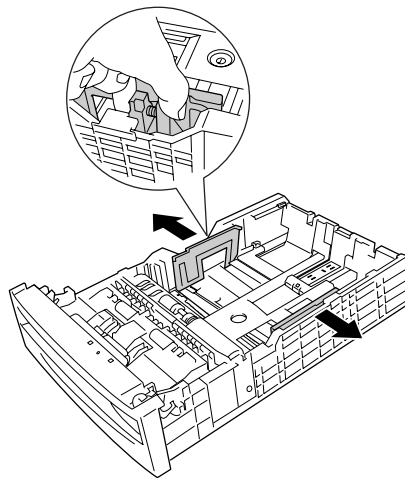
In addition to plain paper, you can also use special media such as EPSON Color Laser Paper in the paper cassettes.

Follow these steps to load paper into the standard and optional paper cassette units. The illustrations show the standard lower cassette.

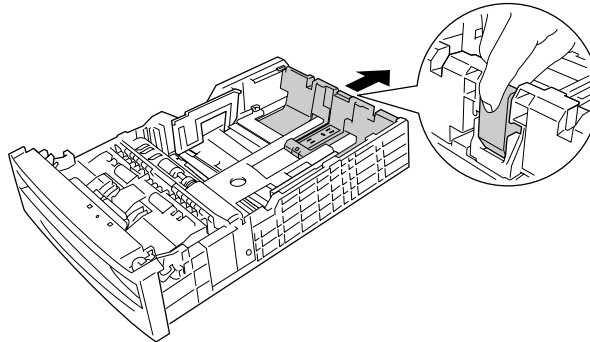
1. Pull the paper cassette out until it stops. Then lift up the front of the paper cassette and pull it out.



2. Pitch the knob and slide the left and right paper guides to accommodate the paper you are loading.



3. Pinch the knob and slide the guide to the position appropriate for the size of paper you want to load.



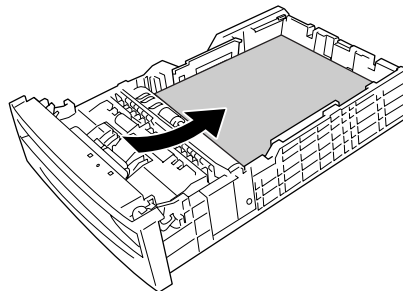
Note:

- ❑ Load the paper after aligning the edges of the paper carefully.
 - ❑ Do not load paper that exceeds the maximum stack height.
4. To prevent the sheets from sticking together, fan a stack of paper. Then tap the edge on a firm surface to line it up.

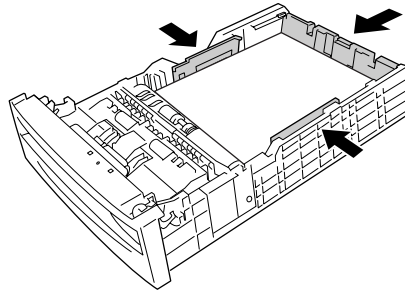
Note:

Straighten the paper before loading it. If curled paper is loaded, it may not feed correctly.

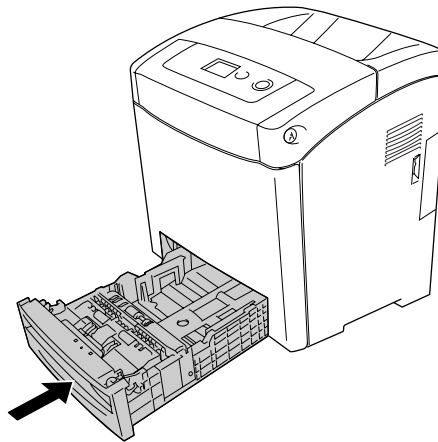
5. Insert the stack into the paper cassette, lining it up with both the front and left sides of the paper cassette, with the printable surface up.



6. Slide the paper guides to fit the paper you are loading.



7. Reinsert the paper cassette into the unit.



Note:

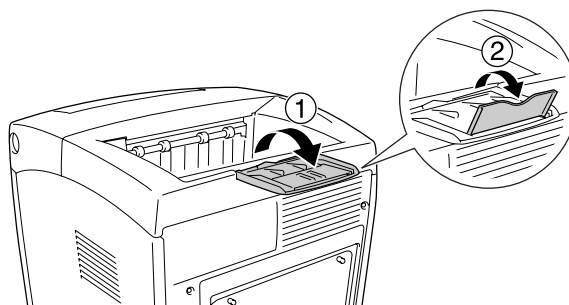
- ❑ *After loading paper, set the Cassette 1 Type /Cassette 2 Type settings on the control panel to match the loaded paper size and type.*
- ❑ *If you have installed and loaded paper into the optional paper cassette unit, set the setting for the paper cassette that you are using.*

Output tray

The output tray is located on the top of the printer. Since printouts are output face-down, this tray is also referred to as the face-down tray. Raise the stopper to prevent your printouts from slipping off the printer.

Note:

This tray can hold up to 250 sheets.



Printing on Special Media

You can print on special media which include Epson paper such as the following.

Note:

Since the quality of any particular brand or type of media may be changed by the manufacturer at any time, Epson cannot guarantee the quality of any type of media. Always test samples of media stock before purchasing large quantities or printing large jobs.

EPSON Color Laser Paper

When loading EPSON Color Laser Paper, you should make paper settings as shown below:

- Make settings on the Basic Settings in the printer driver.

Paper Size: **A4**

Paper Source: **MP Tray** (up to 150 sheets or up to 15 mm thick stack)
 Cassette 1 (up to 250 sheets or up to 27.6 mm thick stack)
 Cassette 2 (up to 550 sheets or up to 59.4 mm thick stack)

Paper Type: **Semi-thick**

Note:

Select **Semi-thick (Back)** on the Paper Type setting when you print on the back side of paper just after printing on the front side.

- You can also make these settings on the Tray Menu in the control panel. See "Tray Menu" on page 150.

EPSON Color Laser Transparencies

Epson recommends the use of EPSON Color Laser Transparencies.

Note:

- ❑ *Duplex printing is not available for transparencies.*
- ❑ *When printing on transparencies, you cannot set the print quality to **Maximum**.*

Transparencies can be loaded into the MP tray only. When using transparencies, you should make paper settings as shown below:

- ❑ Make settings on the Basic Settings in the printer driver.

Paper Size: **A4 or LT**

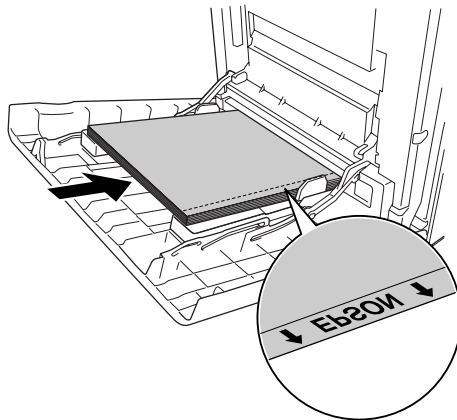
Paper Source: **MP Tray** (up to 75 sheets or 15 mm thick stack)

Paper Type: **Transparency**

- ❑ You can also make these settings on the Tray Menu in the control panel. See “Tray Menu” on page 150.
- ❑ When the Paper Type setting in the printer driver is set to **Transparency**, do not load any other type of paper except transparencies.

Please note the following when handling this media:

- ❑ Hold each sheet by its edges, as oil from your fingers may transfer to the surface and damage the printable surface of the sheet. The Epson logo appears on the printable side.
- ❑ When loading transparencies in the MP tray, insert the short edge first as shown below.



- ❑ If transparencies are loaded incorrectly, the message **Check Transparency** appears on the LCD panel. To clear the error, see “Transparencies are output blank from the MP tray” on page 240.

**Caution:**

Sheets that have just been printed on may be hot.

EPSON Color Laser Coated Paper

Printing on EPSON Color Laser Coated Paper produces glossier and higher quality printouts. When loading EPSON Color Laser Coated Paper, you should make paper settings as shown below:

- ❑ Make settings on the Basic Settings in the printer driver.

Paper Size: **A4**

Paper Source: **MP Tray** (up to 15 mm thick stack)

Paper Type: **Coated**

Note:

- ❑ *Duplex printing is not available for EPSON Color Laser Coated Paper.*
- ❑ *When printing on EPSON Color Laser Coated Paper, you cannot set the print quality to **Maximum**.*
- ❑ You can also make these settings on the **Tray Menu** in the control panel. See “Tray Menu” on page 150.
- ❑ EPSON Color Laser Coated Paper may not be fed properly, depending on the temperature and humidity condition, because it is coated with the special materials. If this happens, load it one sheet at a time from the MP tray.

Envelopes

The print quality of envelopes may be irregular because different parts of an envelope have different thicknesses. Print one or two envelopes to check the print quality.

**Caution:**

Do not use window envelopes. The plastic on most window envelopes will melt when it comes into contact with the fuser.

Note:

- ❑ *Depending on the quality of envelopes, the printing environment, or the printing procedure, envelopes might be wrinkled. Make a trial print run before you print on a lot of envelopes.*

- ❑ *Duplex printing is not available for envelopes.*
- ❑ *When printing on envelopes, you cannot set the print quality to **Maximum**.*

When loading envelopes, you should make paper settings as shown below:

- ❑ Make settings on the Basic Settings in the printer driver.

Paper Size: **IB5, DL, or C5**

Paper Source: **MP Tray** (up to 15 mm thick stack)

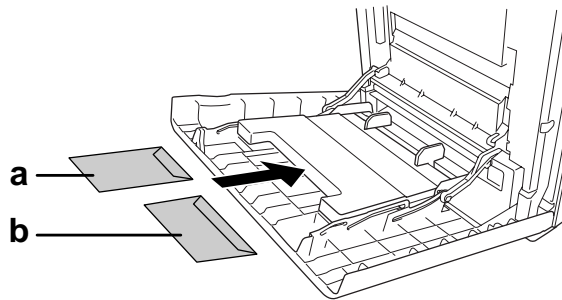
Note:

Depending on the condition of the paper, the printer may fail to feed paper properly when the maximum amount of paper is loaded. If this happens, reduce the amount of paper loaded in the tray.

- ❑ You can also make these settings on the Tray Menu in the control panel. See “Tray Menu” on page 150.

Please note the following when handling this media.

- ❑ When printing on C5 or ISO B5 size envelopes, load them with the short edge first. When printing on DL size envelopes, load them with the long edge first.



a. C5 or ISO B5

b. DL

- ❑ Do not use an envelope that has glue or tape on it.

Labels

You can load up to 15 mm thickness of labels into the MP tray at a time. However, you may need to feed some labels one sheet at a time, or load them manually.

Note:

- ❑ *Duplex printing is not available for labels.*
- ❑ *When printing on labels, you cannot set the print quality to **Maximum**.*
- ❑ *Depending on the quality of labels, the printing environment, or the printing procedure, labels might be wrinkled. Make a trial print run before you print on a lot of labels.*

When loading labels, you should make paper settings as shown below:

- ❑ Make settings on the Basic Settings in the printer driver.

Paper Size: **A4 or LT**

Paper Source: **MP Tray** (up to 15 mm thick stack)

Paper Type: **Labels**

- ❑ You can also make these settings on the Tray Menu in the control panel. See “Tray Menu” on page 150.

Note:

- ❑ *You should only use labels designed for laser printers or plain-paper copiers.*
- ❑ *To prevent the label adhesive from coming into contact with printer parts, always use labels that completely cover the backing sheet, with no gaps between the individual labels.*
- ❑ *Press a sheet of paper on top of each sheet of labels. If the paper sticks, do not use those labels in your printer.*
- ❑ *You may have to make the setting Thick* for Paper Type in the Setup Menu.*
* When using especially thick labels, set Paper Type to ExtraThk.

Thick paper and extra thick paper

You can load thick paper (106 to 163 g/m²) or extra thick paper (164 to 216 g/m²) into the MP tray.

When loading thick or extra thick paper, you should make paper settings as shown below:

- Duplex printing is not available for extra thick paper.
- Make settings on the Basic Settings in the printer driver.

Paper Size: **A4, A5, B5, LT, HLT, EXE, GLT**

Paper Source: **MP Tray** (up to 15 mm thick stack)

Paper Type: **Thick, Thick (Back), or Extra Thick**

- You can also make these settings on the Tray Menu in the control panel. See "Tray Menu" on page 150.

Loading a custom paper size

You can load non-standard size paper (76.2 × 98.4 mm to 220 × 355.6 mm) into the MP tray.

Note:

Depending on the quality of the non-standard size paper, the printing environment, or the printing procedure, the paper might skew. Make a trial print run before you print on a lot of non-standard size paper.

When loading a custom paper size, you should make paper settings as shown below:

- Make settings on the Basic Settings in the printer driver.


Paper Size: **User Defined Size**

Paper Source: **MP Tray** (up to 15 mm thick stack)

Paper Type: **Plain, Semi-Thick, Thick or Extra Thick**

- You can also make these settings on the Tray Menu in the control panel. See "Tray Menu" on page 150.

Note:

- ❑ For Windows, access the printer driver, then select **User Defined Size** from the Paper Size list on the **Basic Settings** tab. In the User Defined Paper Size dialog box, adjust the Paper Width, Paper Length, and Unit settings to match your custom paper. Then click **OK** and your custom paper size will be saved.
- ❑ The saved paper sizes can only be used with the printer driver you saved them to. Even if multiple printer names are set for a printer driver, the settings can be available only for the printer name in which you saved the settings.
- ❑ When sharing the printer on a network, you cannot create **User defined size** at the client.
- ❑ For Mac OS X 10.2 or 10.3, follow the steps below to save your custom paper size.
 1. Open the Page Setup dialog box.
 2. Select **Custom Page Size** from the Settings drop-down list.
 3. Click **New**.
 4. Enter the setting's name and specify the paper size, and then click **OK**.
 5. Click **Save**.
- ❑ For Mac OS X 10.4, follow the steps bellow to save your custom paper size.
 1. Open the Page Setup dialog box.
 2. Select **Manage Custom Sizes** from the Page Size drop-down list.
 3. Click .
 4. Double-click **Untitled** and enter the setting's name.
 5. Specify the paper size and click **OK**.
- ❑ If you cannot use the printer driver as explained above, make this setting at the printer by accessing the control panel's Printing Menu and selecting CTM (custom) as the Page Size setting.

Chapter 4

Using the Printer Software with Windows

About the Printer Software

The printer driver lets you choose from a wide variety of settings to get the best results from your printer. EPSON Status Monitor lets you check the status of your printer. See “Monitoring Your Printer Using EPSON Status Monitor” on page 77 for more information.

Note for Windows Vista users:

Do not press the power button or put your computer to standby or hibernate mode manually during printing.

Accessing the printer driver

You can access the printer driver directly from any application programs, from your Windows operating system.

The printer settings made from many Windows applications override the setting made when the printer driver is accessed from the operating system, so you should access the printer driver from your application to make sure that you get the result you want.

Note:

The printer driver's online help provides details on printer driver settings.

From the application

To access the printer driver, click the **Print** or **Page Setup** from the File menu. You also need to click **Setup, Options, Properties**, or a combination of these buttons.

Windows Vista users

To access the printer driver, click  **Start**, click **Control Panel**, then click **Printers**.

Windows XP or Server 2003 users

To access the printer driver, click **Start**, click **Printers and Faxes**, then click **Printers**. Right-click your printer's icon, then click **Printing Preferences**.

Windows 2000 users

To access the printer driver, click **Start**, point to **Settings**, then click **Printers**. Right-click your printer's icon, then click **Printing Preferences**.

Making Changes to Printer Settings

Making the print quality settings

You can change the print quality of printouts through settings in the printer driver. With the printer driver, you can make the print settings by choosing from a list of predefined settings, or customizing the settings.

Choosing the print quality by using the Automatic setting

You can change the print quality of printouts to favor speed or detail. There are five quality modes for the color printing mode and three for the black-and-white printing mode.

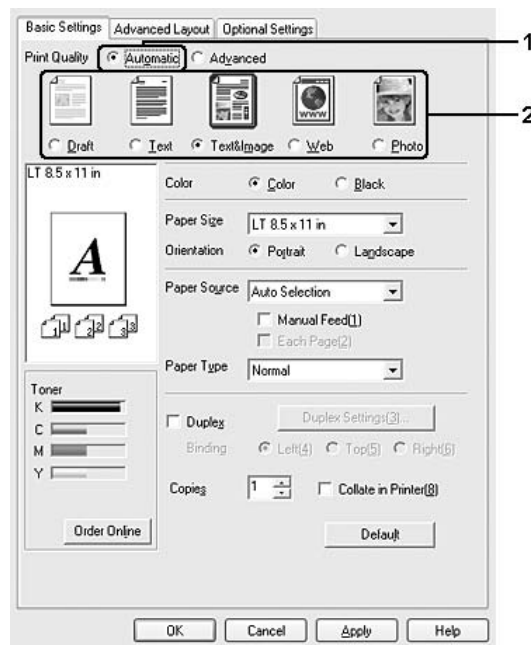
When **Automatic** is selected on the **Basic Settings** tab, the printer driver takes care of all detailed settings according to the color setting you select. Print quality and color are the only settings you have to make. You can change other settings such as paper size or orientation in most applications.

Note:

The printer driver's online help provides details on printer driver settings.

1. Click the **Basic Settings** tab.

- Click **Automatic**, then choose desired printing quality.



- Click **OK** to apply the settings.

The printer driver provides the following quality modes.

Color

Draft, Text, Text&Image, Web, Photo

Monochrome

Draft, Text&Image, Photo

Note:

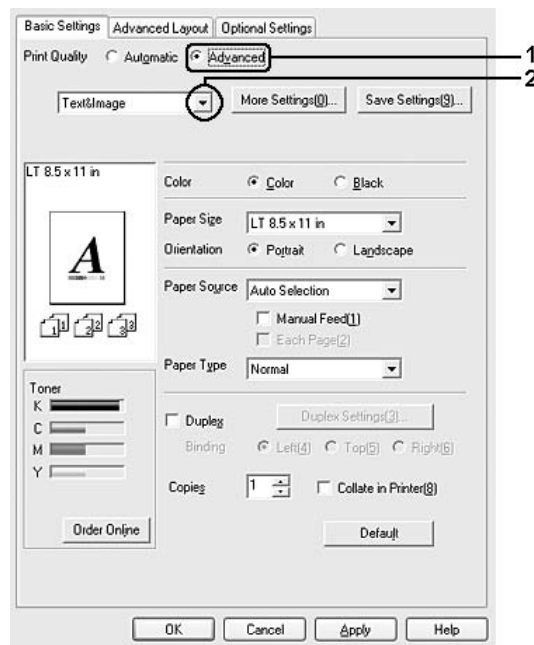
If printing is unsuccessful or a memory-related error message appears, selecting a different print quality may allow printing to proceed.

Using the predefined settings

The predefined settings are provided to help you optimize print settings for a particular kind of printout, such as presentation documents or images taken by a video or digital camera.

Follow the steps below to use the predefined settings.

1. Click the **Basic Settings** tab.
2. Select **Advanced**. You will find the predefined settings in the list below of **Automatic**.



Note:

This screen may vary depending on your operating system version.

3. Select the most appropriate setting from the list according to the type of document or image you want to print.

When you choose a predefined setting, other settings such as Print Quality, Screen, and Color Management are set automatically. Changes are shown in the current settings list on the Setting Information dialog box that appears by pressing the **Setting Info.** button on the **Optional Settings** tab.

Note:

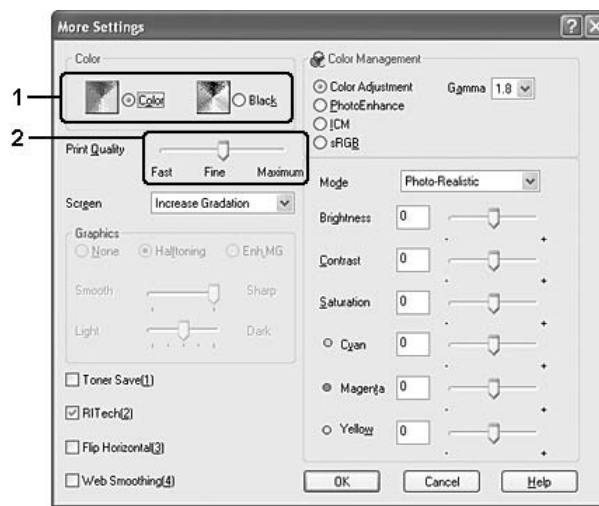
The printer driver's online help provides details on printer driver settings.

Customizing print settings

If you need to change detailed settings, make the settings manually.

Follow the steps below to customize your print settings.

1. Click the **Basic Settings** tab.
2. Click **Advanced**, then click **More Settings**.
3. Choose **Color** or **Black** as the Color setting, then choose desired printing resolution with the **Print Quality** slider bar.



Note:

- ❑ This screen may vary depending on your operating system version.
 - ❑ When making the other settings, see online help for details on each setting.
 - ❑ The **Web Smoothing** check box is not available when **PhotoEnhance** is selected. Note this setting is effective for screens that include full color, 24, or 32 bit images. It is not effective for screens that include only illustrations, graphs, and text, and do not include any images.
 - ❑ The RITech function is not available when you set the printing quality to **Maximum**.
4. Click **OK** to apply the settings and return to the **Basic Settings** tab.

Saving your settings

To save your custom settings, click **Advanced**, then click **Save Settings** on the **Basic Settings** tab. The Custom Settings dialog box appears.



Type a name for your custom settings in the Name box, then click **Save**. Your settings will appear in the list below of **Automatic** on the **Basic Settings** tab.

Note:

- ❑ You cannot use a predefined setting name for your custom settings.
- ❑ The saved custom settings can only be used with the printer driver you saved them to. Even if multiple printer names are set for a printer driver, the settings can be available only for the printer name in which you saved the settings.
- ❑ To delete a custom setting, click **Advanced**, click **Save Settings** on the **Basic Settings** tab, select the setting in the Custom Settings dialog box, then click **Delete**.
- ❑ You cannot delete predefined settings.
- ❑ When sharing the printer on a network, the **Save Settings** is grayed out and you cannot create a custom setting at the client.

If you change any setting in the More Settings dialog box when one of your custom settings is selected in the Advanced Settings list on the **Basic Settings** tab, the setting selected in the list changes to Custom Settings. The custom setting that was previously selected is not affected by this change. To return to your custom setting, simply reselect it from the current settings list.

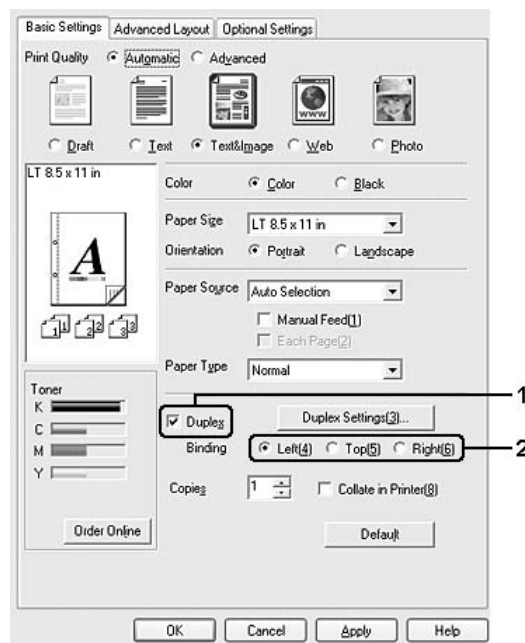
Duplex printing

Duplex printing prints on both sides of the paper. When printing for binding, the binding edge can be specified as required to produce the desired page order.

Printing with the Duplex Unit (models with Duplex Unit only)

Follow the steps below to print with the Duplex Unit.

1. Click the **Basic Settings** tab.
2. Select the **Duplex** check box, then select **Left**, **Top**, or **Right** as the Binding position.

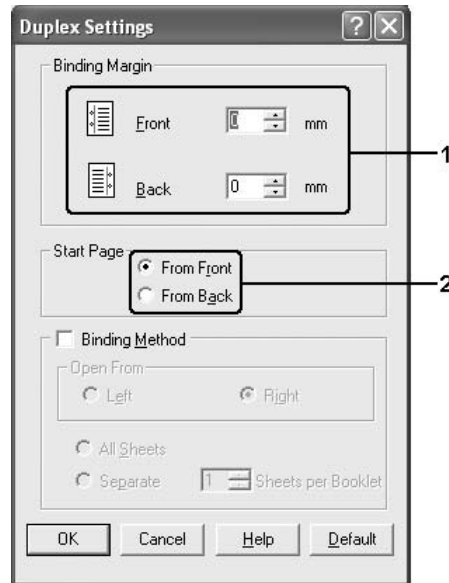


Note:

The **Duplex** check box appears only when the Duplex Unit is recognized by the printer driver. If you selected **Update the Printer Option Automatically** on the *Optional Settings* tab, confirm that Duplex Print Unit is set to **Installed**. If you selected **Update the Printer Option Manually** on the *Optional Settings* tab, click the **Settings** button and select the **Duplex Print Unit** check box.

3. Click **Duplex Settings** to open the Duplex Settings dialog box.

- Specify the Binding Margin for the front and back sides of the paper, then select whether the front or back side of the paper is to be printed as the Start Page.



- When printing for binding as a booklet, select the **Binding Method** check box and make appropriate settings. For details about each setting, see online help.
- Click **OK** to apply the settings and return to the **Basic Settings** tab.

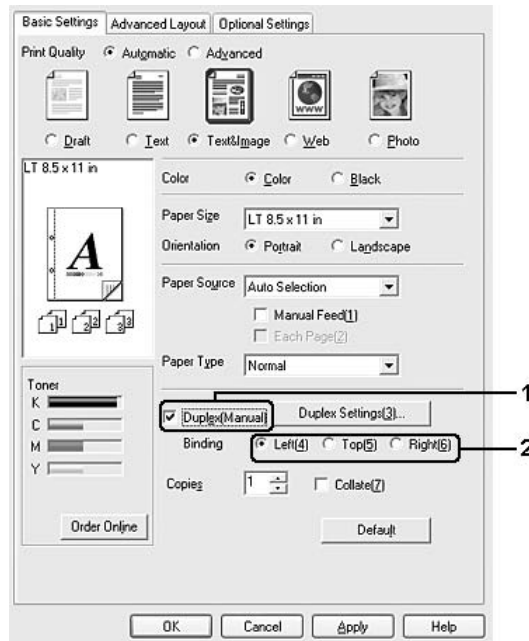
Doing duplex printing manually (models without Duplex Unit only)

- Click the **Basic Settings** tab.
- Make sure that the **Manual Feed** check box is off.

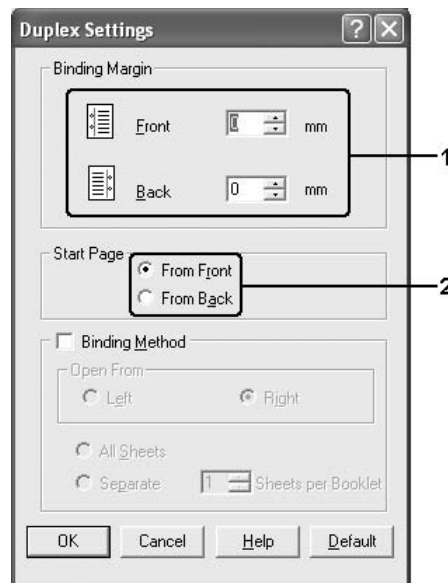
Note:

- ❑ *The manual feed function is not available when using the manual duplex function.*
- ❑ *The Skip Blank Page function is not available when using the manual duplex function.*

3. Select the **Duplex (Manual)** check box, then select **Left, Top,** or **Right** as the binding position.



4. Click **Duplex Settings** to open the Duplex Settings dialog box.
5. Specify the Binding Margin for the front and back sides of the paper, then select whether the front or back side of the paper is to be printed as the Start Page.

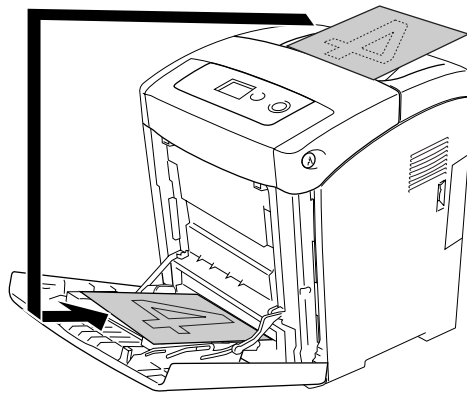


6. When printing for binding as a booklet, select the **Binding Method** check box and make appropriate settings. For details about each setting, see online help.
7. Click **OK**.
8. Execute the print job.

Note:

*The alert screen appears on the computer. Click the **OK** button on the screen.*

9. After printing on one side, reload the paper into the MP tray with the printed surface face-up as shown below. Then, press the **Start/Stop** button.

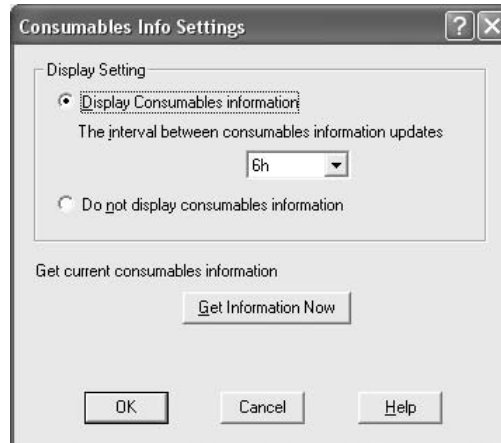


Note:

- Manual duplex printing may not be completed normally when printing a document for which the paper size, orientation, or paper source setting is set to change in the document.*
- When doing duplex printing manually with collate set on the printer driver, the printing may not be completed normally depending on the application you use.*
- Straighten the paper before loading it. If curled paper is loaded, it may not feed correctly.*

Displaying information about consumables with the printer driver

The remaining service lives of the imaging cartridges are displayed on the **Basic Settings** tab when EPSON Status Monitor is installed. The **Order Online** button is also available. You can set the interval at which the information about the consumables is updated on the Consumables Info Settings dialog box that appears by clicking the **Consumables Info Settings** button on the **Optional Settings** tab.

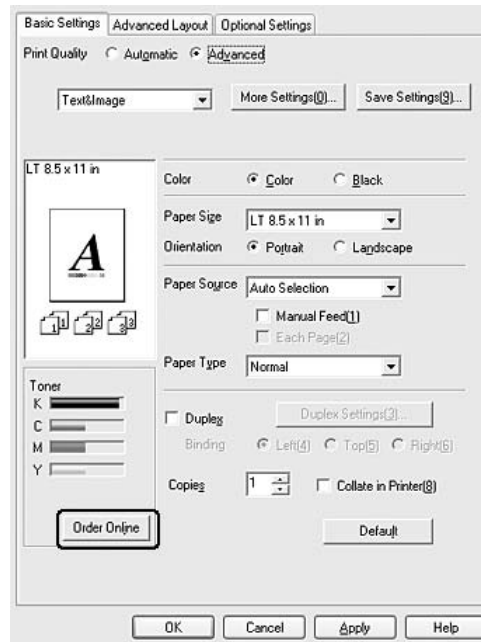


Note:

- ❑ *The driver and EPSON Status Monitor use different methods to measure the remaining service lives of the imaging cartridges. Because of this, the information that is displayed in EPSON Status Monitor and the **Basic Settings** tab might be different. Use EPSON Status Monitor to get more detailed information.*
- ❑ *The country/region and URL for a web site must be specified when installing EPSON Status Monitor to use the function for ordering consumables online.*
- ❑ *If imaging cartridges that are not genuine are used, the level bars and the alert icons that indicate the service life remaining in each imaging cartridge are not displayed.*

Ordering Consumables

To order consumables online, click the **Order Online** button on the **Basic Settings** tab. See “Order Online” on page 88 for details.

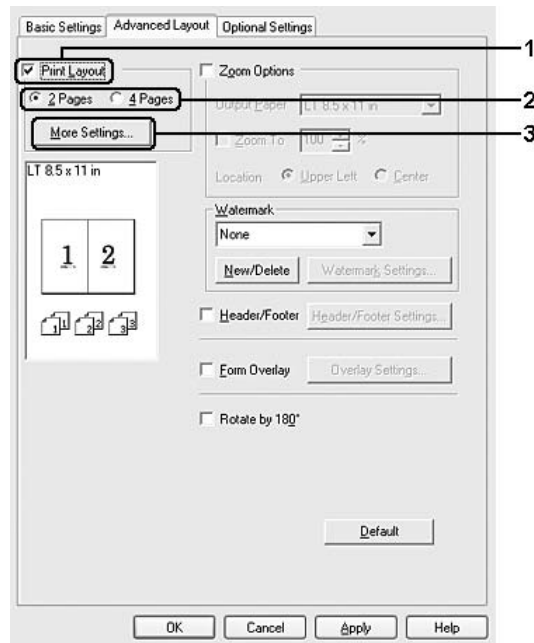


Modifying the print layout

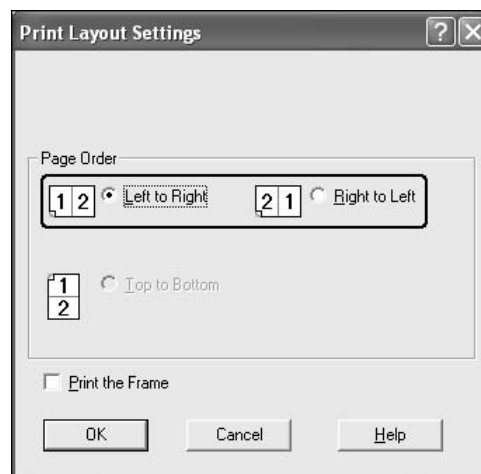
Your printer can print either two or four pages onto a single page and specifies the printing order, automatically resizing each page to fit the specified paper size. You can also choose to print documents surrounded by a frame.

1. Click the **Advanced Layout** tab.

2. Select the **Print Layout** check box and the number of pages you want to print on one sheet of paper. Then click **More Settings**. The Print Layout Settings dialog box appears.



3. Select the Page Order in which the pages are printed on each sheet.



4. Select the **Print the Frame** check box when you want to print the pages surrounded by a frame.

Note:

The Page Order choices depend on the number of pages selected above, and the paper orientation (Portrait or Landscape) selected on the **Basic Settings** tab.

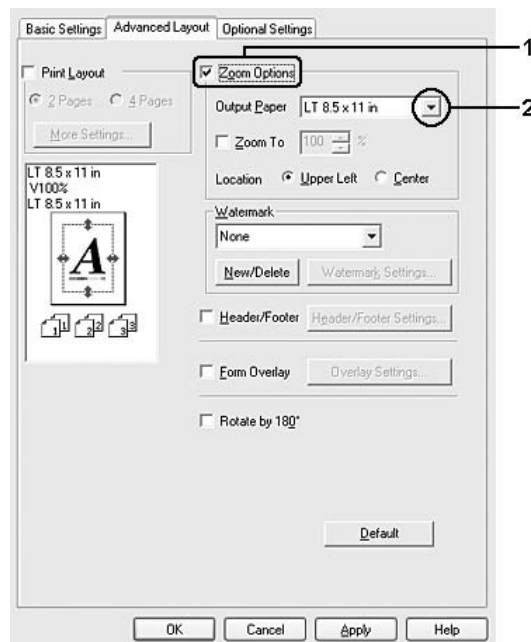
- Click **OK** to apply the settings and return to the **Advanced Layout** tab.

Resizing printouts

You can have your document enlarged or reduced during printing.

To automatically resize pages to fit the output paper

- Click the **Advanced Layout** tab.
- Select the **Zoom Options** check box, then select the desired paper size from the Output Paper drop-down list. The page will be printed to fit on the paper you have selected.

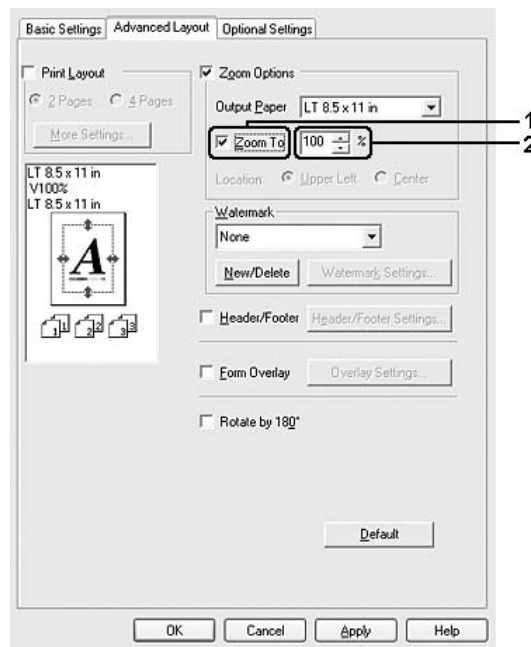


- Select **Upper Left** (to print reduced page image at upper left corner of the paper) or **Center** (to print reduced page image with centering) for Location setting.
- Click **OK** to apply the settings.

Resizing pages by a specified percentage

- Click the **Advanced Layout** tab.
- Select the **Zoom Options** check box.

3. Select the **Zoom To** check box, then specify the magnification percentage in the box.



Note:

The percentage can be set between 50% and 200% in 1% increments.

4. Click **OK** to apply the settings.

If necessary, select the paper size to be printed from the Output Paper drop-down list.

Using a watermark

Follow the steps below to use a watermark on your document. On the **Advanced Layout** tab or Watermark dialog box, you can select from a list of predefined watermarks, or you can make an original watermark with text or a bitmap. The Watermark dialog box also allows you to make a variety of detailed watermark settings. For example, you can select the size, intensity, and position of your watermark.

1. Click the **Advanced Layout** tab.

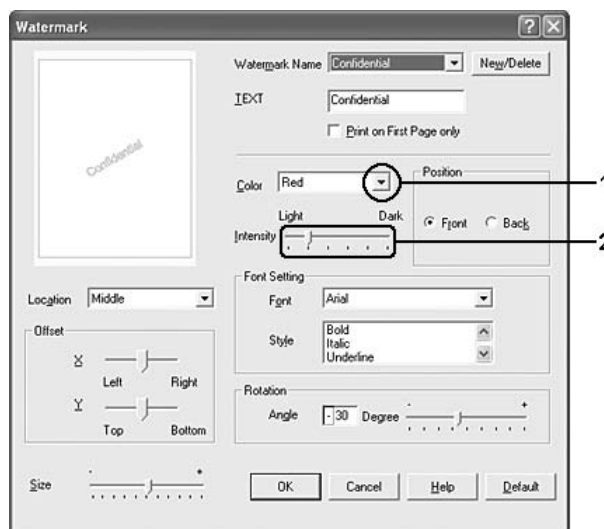
2. Select a watermark that you want to use from the Watermark drop-down list. If you want to make detailed settings, click **Watermark Settings**. The Watermark dialog box appears.



Note:

If you select **User Name** or **Computer Name** from the Water Mark drop-down list, the login account name or computer name is printed.

3. Select the color from the Color drop-down list, then adjust the image intensity of the watermark with the **Intensity** slider bar.



4. Select **Front** (to print the watermark in the foreground of the document) or **Back** (to print the watermark in the background of the document) for the Position setting.
5. Select the location on the page where you want to print the watermark from the Location drop-down list.
6. Adjust the **X** (horizontal) or **Y** (vertical) Offset position.
7. Adjust the size of the watermark with the **Size** slider bar.
8. Click **OK** to apply the settings and return to the **Advanced Layout** tab.

Making a new watermark

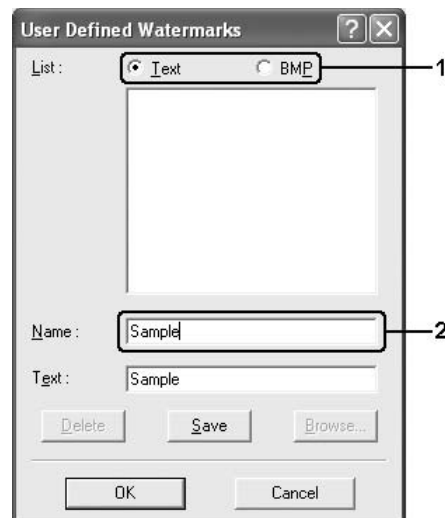
You can make a new watermark as follows:

1. Click the **Advanced Layout** tab.
2. Click **New/Delete**. The User Defined Watermarks dialog box appears.

Note:

*The User Defined Watermarks dialog box also appears by clicking **New/Delete** in the Watermark dialog box.*

3. Select **Text** or **BMP** and type a name for the new watermark in the Name box.



Note:

*This screen appears when you select **Text**.*

4. If you select **Text**, type the watermark text in the **Text** box. If you select **BMP**, click **Browse**, select the BMP file you want to use, then click **OK**.
5. Click **Save**. Your watermark will appear in the List box.
6. Click **OK** to apply the new watermark settings.

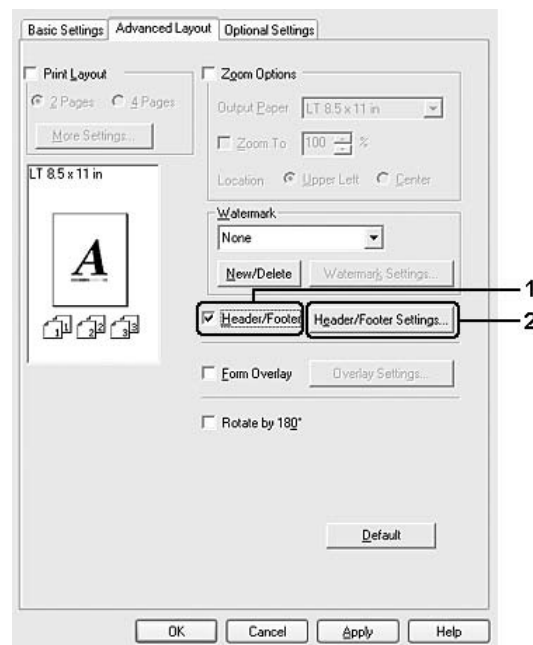
Note:

- You can register up to 10 watermarks.
- The saved watermarks can only be used with the printer driver you saved them to. Even if multiple printer names are set for a printer driver, the settings can be available only for the printer name in which you saved the settings.
- When sharing the printer on a network, you cannot create an user defined watermark at the client.

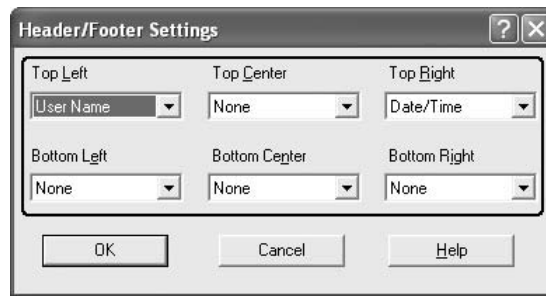
Using headers and footers

You can print a header or footer on the top or bottom of a page. The items that can be printed as a header or footer include user name, computer name, date, date/time, or collate number.

1. Click the **Advanced Layout** tab.
2. Select the **Header/Footer** check box, then click **Header/Footer Settings**.



3. Select the items to be printed for the header and the footer from the drop-down list.



Note:

- If you select **User Name** or **Computer Name** from the drop-down list, the login account name or computer name is printed.
 - If you select **Collate Number** from the drop-down list, the number of copies is printed.
4. Click **OK** to apply the settings and return to the **Advanced Layout** tab.

Using an overlay

The Overlay Settings dialog box allows you to prepare standard forms, or templates, that you can use as overlays when printing other documents. This feature can be useful for creating corporate letterheads or invoices.

Note:

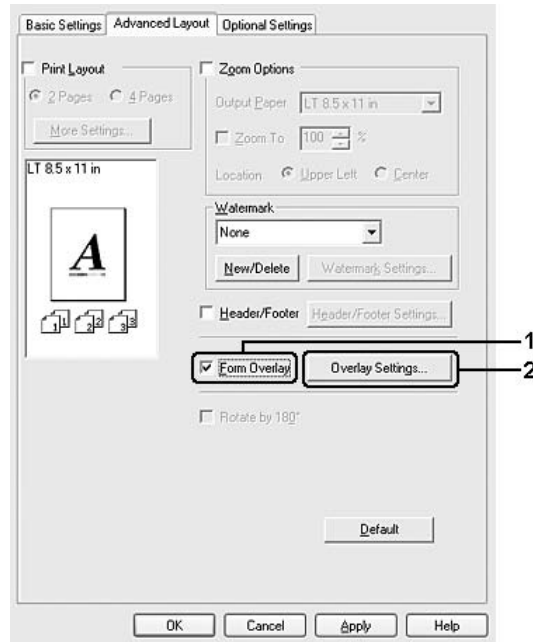
The overlay function is available only when **High Quality (Printer)** is selected for the Printing Mode in the Extended Settings dialog box from the **Optional Settings** tab.

Creating an overlay

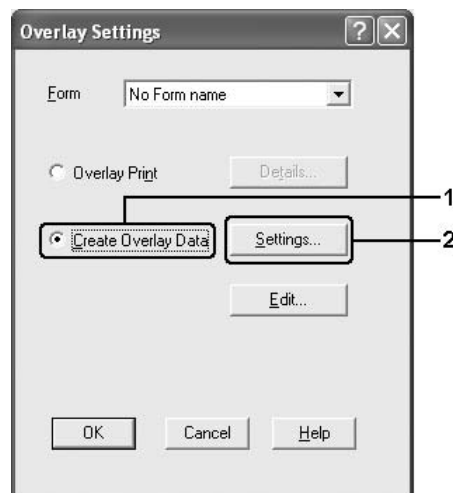
Follow the steps below to create and save a form overlay file.

1. Open your application and create the file that you want to use as an overlay.
2. When the file is ready to be saved as an overlay, choose **Print** or **Print Setup** from the File menu of your application, then click **Printer, Setup, Options, Properties**, or a combination of these buttons, depending on your application.
3. Click the **Advanced Layout** tab.

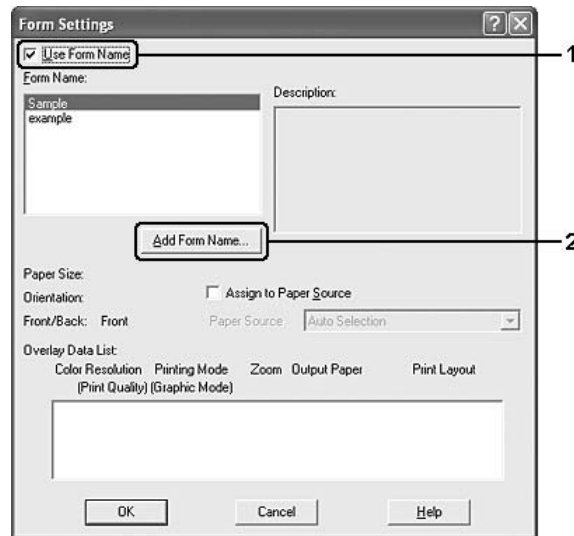
4. Select the **Form Overlay** check box, then click **Overlay Settings**. The Overlay Settings dialog box appears.



5. Select **Create Overlay Data**, then click **Settings**. The Form Settings dialog box appears.



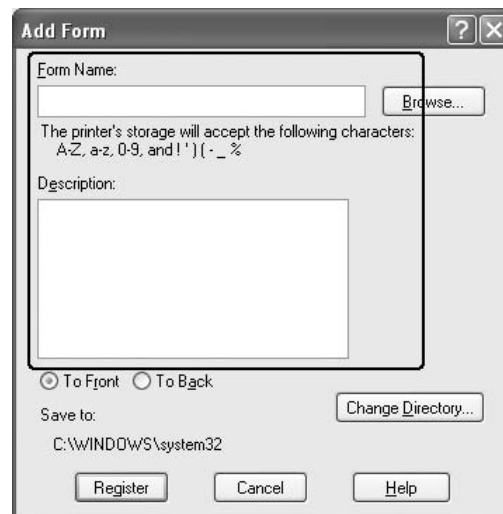
6. Select the **Use Form Name** check box, then click **Add Form Name**. The Add Form dialog box appears.



Note:

If the **Assign to Paper Source** check box is selected, the form name is displayed in the Paper Source drop-down list on the **Basic Settings** tab.

7. Type the form name in the Form Name box and its description in the Description box.



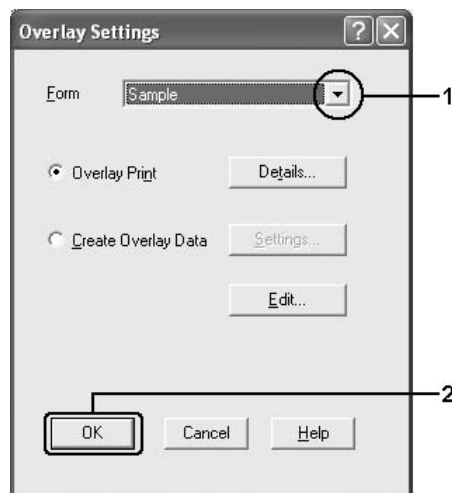
8. Select **To Front** or **To Back** to specify whether the overlay will be printed as foreground or background of the document.

9. Click **Register** to apply the settings and return to Form settings dialog box.
10. Click **OK** in the Form Settings dialog box.
11. Click **OK** in the Overlay Settings dialog box.
12. Print the file saved as overlay data. It is possible to save any kind of file as an overlay. The overlay data is created.

Printing with an overlay

Follow the steps below to print a document with overlay data.

1. Open the file to print with overlay data.
2. From the application, access the printer driver. Open the File menu, choose **Print** or **Print Setup**, then click **Printer, Setup, Options, Properties**, or a combination of these buttons, depending on your application.
3. Click the **Advanced Layout** tab.
4. Select the **Form Overlay** check box, and click **Overlay Settings** to open the Overlay Settings dialog box.
5. Choose the form from the Form drop-down list, then click **OK** to return the **Advanced Layout** tab.



Note:

If the **Assign to Paper Source** check box is selected, the form name is displayed in the Paper Source drop-down list on the **Basic Settings** tab. You can also select the form without accessing the dialog box above.

6. Click **OK** to print the data.

Different printer settings overlay data

The overlay data is made with the current printer settings (such as Orientation: Portrait). If you want to make the same overlay with different printer settings (such as Landscape), follow the instructions below.

1. Re-access the printer driver as described in step 2 in “Creating an overlay” on page 67.
2. Make the printer settings and exit the printer driver.
3. Send the same data that you made by application to the printer like step 12 in “Creating an overlay” on page 67.

This setting is available only for Form Name data.

Making Extended Settings

You can make various settings in the Extended Settings dialog box. To open the dialog box, click **Extended Settings** on the **Optional Settings** tab.

Note:

The printer driver's online help provides details on printer driver settings.

Making Optional Settings

You can update the installed option information manually if you have installed options to your printer.

1. Access the printer driver.
2. Click the **Optional Settings** tab, then select **Update the Printer Option Info Manually**.
3. Click **Settings**. The Optional Settings dialog box appears.
4. Make settings for each installed option, then click **OK**.

Printing a status sheet

To confirm the current status of the printer, print a status sheet from the printer driver. The status sheet contains information about the printer and its current settings.

Follow the steps below to print a status sheet.

1. Access the printer driver.
2. Click the **Optional Settings** tab and then click **Status Sheet**. The printer starts printing a status sheet.

Using the Reserve Job Function

The Reserve Job function allows you to store print jobs on the printer's memory and to print them later directly from the printer's control panel. Follow the instructions in this section to use the Reserve Job function.

Note:

You need to keep sufficient RAM disk capacity in order to use the Reserve Job function. To enable RAM disk, you have to set the RAM Disk setting on the control panel to Normal or Maximum. We recommend installing an optional memory to use this function. For instructions about increasing your printer's memory, see "Installing a memory module" on page 196. After installed the memory module, you have to update the information about options. See "Making Optional Settings" on page 71.

The table below gives an overview of the Reserve Job options. Each option is described in detail later in this section.

Reserve Job Option	Description
Re-Print Job	Lets you print the job now and store it for later reprinting.
Verify Job	Lets you print one copy now to verify the content before printing multiple copies.
Confidential Job	Lets you apply a password to the print job and save it for later printing.

Jobs stored on the printer's memory are handled differently depending on the Reserve Job option. Refer to the tables below for details.

Reserve Job Option	Maximum Number of Jobs	When Maximum is Exceeded	When RAM Disk is Full
Re-Print Job + Verify Job	64 (combined total)	Oldest job automatically replaced with newest	Oldest job automatically replaced with newest
Confidential Job	64	Delete old jobs manually	Delete old jobs manually

Reserve Job Option	After Printing	After Turning Off Printer or Using Reset All
Re-Print Job	data remains in the printer's memory	Data is cleared
Verify Job		
Confidential Job	data is cleared	Data is cleared

Re-Print Job

The Re-Print Job option allows you to store the job you are currently printing so that you can reprint it later directly from the control panel.

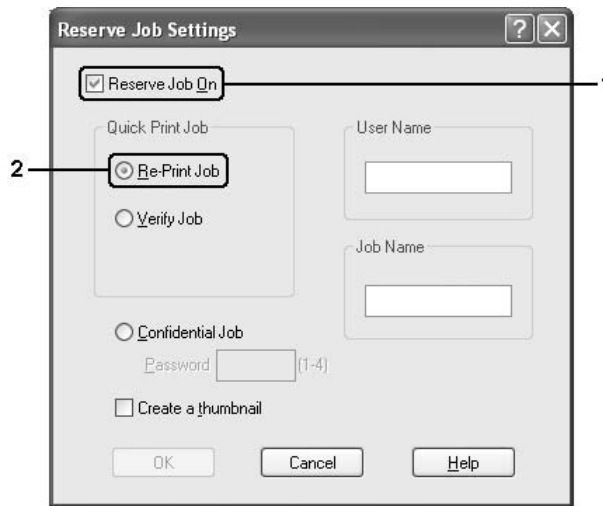
Follow the steps below to use the Re-Print Job option.

1. Click the **Basic Settings** tab.
2. Select the **Collate in Printer** check box. Specify the number of copies to be printed, and make other printer driver settings as appropriate for your document.
3. Click the **Optional Settings** tab, then click **Reserve Job Settings**. The Reserve Job Settings dialog box appears.

Note:

The **Reserve Job Settings** button is available only when the RAM Disk is recognized by the printer driver. If you selected **Update the Printer Option Automatically** on the Optional Settings tab, confirm that RAM Disk is set to **Installed**. If you selected **Update the Printer Option Manually** on the Optional Settings tab, click the **Settings** button and select the **RAM Disk** check box.

4. Select the **Reserve Job On** check box, then select **Re-Print Job**.



5. Enter a user name and job name in the corresponding text boxes.

Note:

- ❑ The **OK** button becomes available after both the user name and job name have been entered.
- ❑ If you want to create a thumbnail of the first page of a job, select the **Create a thumbnail** check box. Thumbnails can be accessed by entering `http://` followed by the internal print server's IP address in a Web browser.

6. Click **OK**. The printer prints your document, and stores the print job on the printer's memory.

To reprint or delete this data using the printer's control panel, see "Printing and Deleting Reserve Job Data" on page 182 for instructions.

Verify Job

The Verify Job option allows you to print one copy in order to verify the content before printing multiple copies.

Follow the steps below to use the Verify Job option.

1. Click the **Basic Settings** tab.
2. Select the **Collate in Printer** check box. Specify the number of copies to be printed, and make other printer driver settings as appropriate for your document.

- Click the **Optional Settings** tab, then click **Reserve Job Settings**. The Reserve Job Settings dialog box appears.

Note:

The **Reserve Job Settings** button is available only when the RAM Disk is recognized by the printer driver. If you selected **Update the Printer Option Automatically** on the **Optional Settings** tab, confirm that RAM Disk is set to **Installed**. If you selected **Update the Printer Option Manually** on the **Optional Settings** tab, click the **Settings** button and select the **RAM Disk** check box.

- Select the **Reserve Job On** check box, then select **Verify Job**.



- Enter a user name and job name in the corresponding text boxes.

Note:

- ❑ The **OK** button becomes available after both the user name and job name have been entered.
- ❑ If you want to create a thumbnail of the first page of a job, select the **Create a thumbnail** check box. Thumbnails can be accessed by entering `http://` followed by the internal print server's IP address in a Web browser.

- Click **OK**. The printer prints one copy of your document, and stores the print data with information on the number of remaining copies on the printer's memory.

After you have confirmed the printout, you can print the remaining copies or delete this data using the printer's control panel. See "Printing and Deleting Reserve Job Data" on page 182 for instructions.

Confidential Job

The Confidential Job option allows you to apply passwords to print jobs stored on the printer's memory.

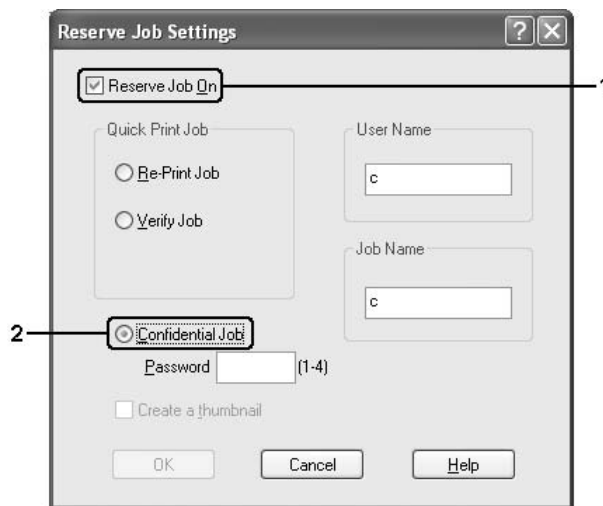
Follow the steps below to store print data using the Confidential Job option.

1. Make printer driver settings as appropriate for your document.
2. Click the **Optional Settings** tab, then click **Reserve Job Settings**. The Reserve Job Settings dialog box appears.

Note:

The **Reserve Job Settings** button is available only when the RAM Disk is recognized by the printer driver. If you selected **Update the Printer Option Automatically** on the Optional Settings tab, confirm that RAM Disk is set to **Installed**. If you selected **Update the Printer Option Manually** on the Optional Settings tab, click the **Settings** button and select the **RAM Disk** check box.

3. Select the **Reserve Job On** check box, then select **Confidential Job**.



4. Enter a user name and job name in the corresponding text boxes.
5. Set the password for the job by entering a four-digit number in the password text box.

Note:

- ❑ The **OK** button becomes available after both the user name and job name have been entered.
- ❑ Passwords must be four digits.
- ❑ Only numbers from 1 through 4 can be used for passwords.

- ❑ *Keep passwords in a safe place. You must enter the correct password when printing a Confidential Job.*

6. Click **OK**. The printer stores the print job on the printer's memory.

To print or delete this data using the printer's control panel, see "Printing and Deleting Reserve Job Data" on page 182.


Monitoring Your Printer Using EPSON Status Monitor

EPSON Status Monitor is a utility program that monitors your printer and gives you information about its current status.

Installing EPSON Status Monitor

1. Make sure that the printer is off and that Windows is running on your computer.
2. Insert the printer software CD-ROM in the CD-ROM drive.

Note:

*If the Epson Installation Program screen does not appear automatically, click  **Start**, then click **Computer** (for Windows Vista) or click the **My Computer** icon on the desktop (for Windows XP, 2000 or Server 2003). Right-click the **CD-ROM** icon, click **OPEN** in the menu that appears, then double-click **EPSetup.exe**.*

3. If the language selection window appears, select your language.
4. If the option selection window appears, click **User Installation**.

5. Click **Custom Install**.



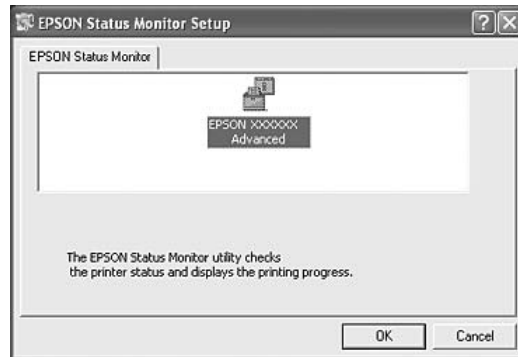
Note:

See the Network Guide for information on installing EPSON Status Monitor on a network.

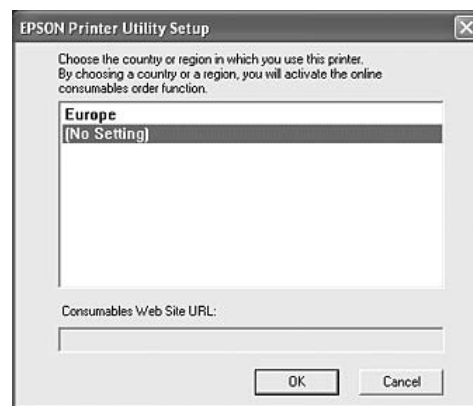
6. Click **EPSON Status Monitor**.



7. In the dialog box that appears, make sure that your printer's icon is selected, and click **OK**.



8. When the software license agreement screen appears, read the statement and then click **Accept**.
9. In the dialog box that appears, select your country or region, and the URL for EPSON's Web site in that country or region appears. Then click **OK**.

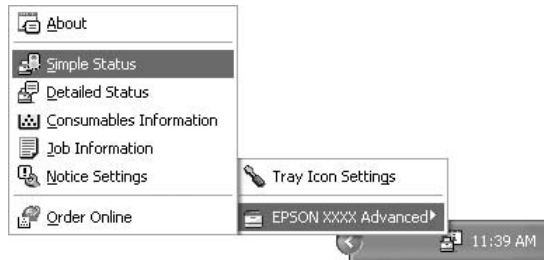


Note:

- ❑ In the dialog box, you can set the URL for the site where you can order consumables online. See "Order Online" on page 88 for details.
 - ❑ Selecting your country or region allows you to change the settings of the URL.
 - ❑ When you click the **Cancel** button, the Web site's URL does not appear, but the EPSON Status Monitor installation continues.
10. When the installation is complete, click **OK**.

Accessing EPSON Status Monitor

1. Right-click the tray icon on the taskbar.
2. Select your printer name and then **Simple Status**. The Simple Status window appears.



Note:

You can also access EPSON Status Monitor by clicking the **Simple Status** button on the **Optional Settings** tab on the printer driver.

To find detailed information on EPSON Status Monitor, see “Information on EPSON Status Monitor” on page 81, “Simple Status” on page 81, “Detailed Status” on page 82, “Consumables Information” on page 83, “Job Information” on page 84, “Notice Settings” on page 86, “Order Online” on page 88, and “Tray Icon Settings” on page 89.

Note for Windows Vista users:

EPSON Status Monitor is not available for monitoring Netware printers.

Note for Windows XP users:

EPSON Status Monitor is not available when printing from a Remote Desktop connection.

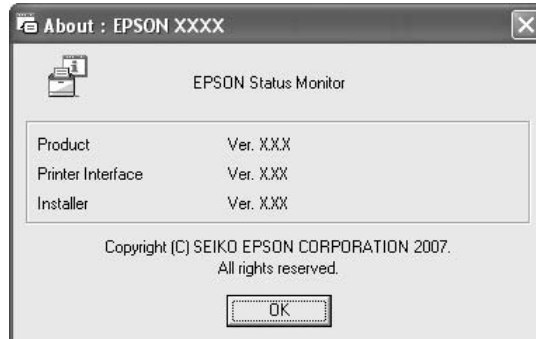
Note for Netware users:

When monitoring NetWare printers, a Novell Client that corresponds to your operating system must be used. Operation is confirmed for the versions below:

- ❑ For Windows XP or 2000:
Novell Client 4.91 SP1 for Windows 2000/XP
- ❑ To monitor a NetWare printer, connect only one print server to each queue. For directions, see the Network Guide for the printer.
- ❑ You cannot monitor a NetWare queue printer beyond the IPX router because the setting for IPX hops is 0.
- ❑ This product supports NetWare printers configured by a queue-based printing system such as Bindery or NDS. You cannot monitor NDPS (Novell Distributed Print Services) printers.

Information on EPSON Status Monitor

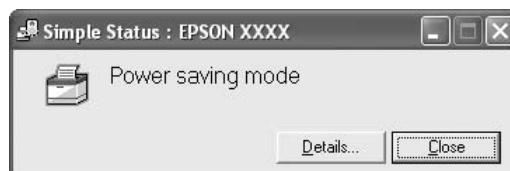
You can obtain information about EPSON Status Monitor such as product versions or interface versions.



This window appears by right-clicking the tray icon on the taskbar and selecting your printer name and **About**.

Simple Status

The Simple Status window indicates printer status, errors, and warnings.



This window appears by right-clicking the tray icon on the taskbar, then selecting your printer name, then clicking **Simple Status**. This window also appears when errors occur according to the Pop-up Notice you select in the Notice Settings dialog box.

If you wish to see more information about the status of your printer, click **Details**.

Detailed Status

You can monitor detailed printer status by right-clicking the tray icon on the taskbar, then selecting your printer name, then clicking **Detailed Status**.



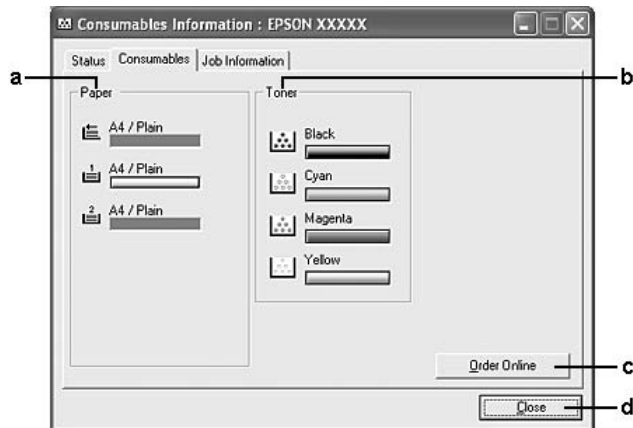
a.	Icon/Message:	The icon and message show the printer status.
b.	Printer image:	The image at the upper left shows the printer status graphically.
c.	Text box:	The text box next to the printer image displays the current status of the printer. When a problem occurs, the most probable solution is displayed.
d.	Close button:	Clicking this button closes the dialog box.

Note:

You can see information about jobs or consumables by clicking on the respective tab.

Consumables Information

You can obtain information on paper sources and consumable products by right-clicking the tray icon on the taskbar, then selecting your printer name, then clicking **Consumables Information**.



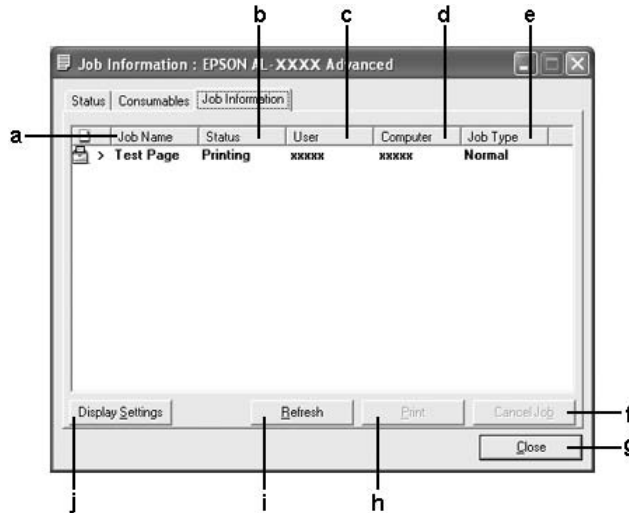
a.	Paper:	Displays the paper size, the paper type and the approximate amount of paper remaining in the paper source. Information on the optional paper cassettes are displayed only if these options are installed.
b.	Toner:	Indicates the remaining service lives of the imaging cartridges. The toner icon flashes when the imaging cartridge has some error or has neared the end of its service life.
c.	Order Online button:	Clicking this button enables you to order consumables online. See "Order Online" on page 88 for details.
d.	Close button:	Clicking this button closes the dialog box.

Note:

- ❑ You can see the status of the printer or information about jobs by clicking on the respective tab.
- ❑ If imaging cartridges that are not genuine are used, the level bars to indicate the service life remaining in each imaging cartridge is not displayed, and the alert icons do not blink.

Job Information

You can check job information by right-clicking the tray icon on the taskbar, then selecting your printer name, then clicking **Job Information**.



a.	Job Name:	Displays the user's print job names. Other user's print jobs are displayed as -----.	
b.	Status:	Waiting:	The print job which is waiting to be printed.
		Spooling:	The print job which is being spooled on your computer.
		Deleting:	The print job which is being deleted.
		Printing:	The print job which is printed currently.
		Completed:	Displays only your jobs that have finished printing.
		Canceled:	Displays only your jobs that have been canceled printing.
		Held:	Job is on hold.
c.	User:	Displays the user name.	
d.	Computer:	Displays the name of the computer that sent the print job.	
e.	Job Type:	Displays the job type. The jobs are displayed as Verify, Re-Print, and Confidential respectively. About the Reserve Job function, see "Using the Reserve Job Function" on page 72.	
f.	Cancel Job button:	Selecting a print job and clicking this button cancels the selected print job.	
g.	Close button	Clicking this button closes the dialog box.	
h.	Print button:	Display the dialog box to print the held status job.	
i.	Refresh button:	Clicking this button refreshes the information on this menu.	

j.	Display settings button	Displays the Display Settings dialog box to select items and the order they are displayed on the Job Information screen and to select the type of jobs to be displayed.
----	--------------------------------	---

Note:

You can see the status of the printer or information about consumables by clicking on the respective tab.

Note for Windows XP users:

Shared Windows XP LPR connections and shared Windows XP Standard TCP/IP connections with Windows clients do not support the Job Management function.

The **Job Information** tab is available when the following connections are used:

Server and Client Environments:

- When using the shared Windows 2000, Server 2003, or Server 2003 x64 LPR connection with Windows Vista, Vista x64, XP, XP x64, or 2000 clients.
- When using the shared Windows Vista, Vista x64, 2000, Server 2003, or Server 2003 x64 Standard TCP/IP connection with Windows Vista, Vista x64, XP, XP x64, or 2000.
- When using the shared Windows Vista, Vista x64, 2000, Server 2003, or Server 2003 x64 EpsonNet Print TCP/IP connection with Windows Vista, Vista x64, XP, XP x64, or 2000 clients.

Client only Environments:

- When using the LPR connection (in Windows Vista, Vista x64, XP, XP x64, 2000, Server 2003, or Server 2003 x64).
- When using the Standard TCP/IP connection (in Windows Vista, Vista x64, XP, XP x64, 2000, Server 2003, or Server 2003 x64).
- When using the EpsonNet Print TCP/IP connection (in Windows Vista, Vista x64, XP, XP x64, 2000, Server 2003, or Server 2003 x64).

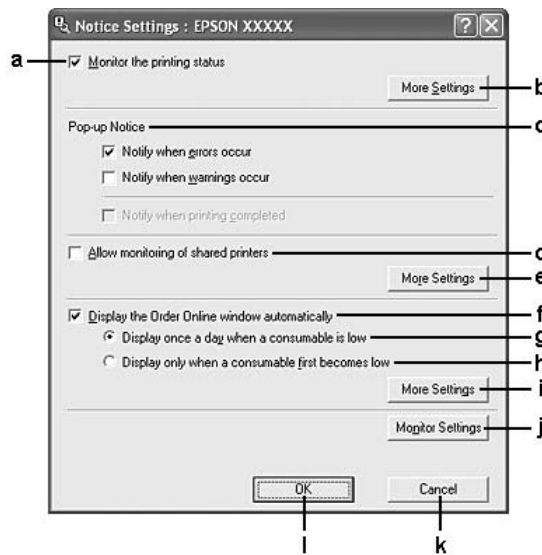
Note:

You cannot use this function in the following situations:

- When using an optional Ethernet interface card that does not support the Job Management function.
- When the NetWare connections do not support the Job Management function.
- When the printing jobs from NetWare and NetBEUI are displayed as "Unknown" on the Job Management menu.
- Note that if the user account used to log on to a client is different from the user account used to connect to the server, the Job Management function is not available.

Notice Settings

You can make specific monitoring settings by right-clicking the tray icon on the taskbar, then selecting your printer name, then clicking **Notice Settings**. The Notice Settings dialog box appears.



a.	Monitor the printer status check box:	When this check box is selected, EPSON Status Monitor monitors the printer status during a print job is processed.
b.	More Settings button:	Displays the More Settings dialog box to set how to display the tray icon.
c.	Pop-up Notice:	Sets the notification to be displayed.
d.	Allow monitoring of the shared printers check box:	When this check box is selected, a shared printer can be monitored by other computers. If you connect the printer via a server with Windows Point & Print and the server and the client are both Windows XP or later, it communicates with the OS communication function. Therefore you can monitor the printer without selecting this check box.
e.	More Settings button:	Displays the More Settings dialog box to set how to communicate with the shared printer.
f.	Display the Order Online window automatically check box:	When this check box is selected, the Order Online window appears automatically when a consumable becomes low or reaches end of service life and keeps appearing once a day until the consumable is replaced.
g.	Display once a day when a consumable is low check box:	When this radio button is selected, the Order Online window appears automatically once a day when you start printing or display the status by accessing EPSON Status Monitor.

h.	Display only when a consumable first becomes low check box:	When this radio box is selected, the Order Online window appears automatically only when a consumable first becomes low.
i.	More Settings button:	Displays the More Settings dialog box in which you can set the URL for placing an order appears.
j.	Monitor Settings button:	Displays the Monitor Settings dialog box to set the monitoring interval.
k.	Cancel button:	Click this button to exit the dialog box without saving the settings.
l.	OK button:	Click this button to save the settings and to exit the dialog box.

Note for Windows Vista users:

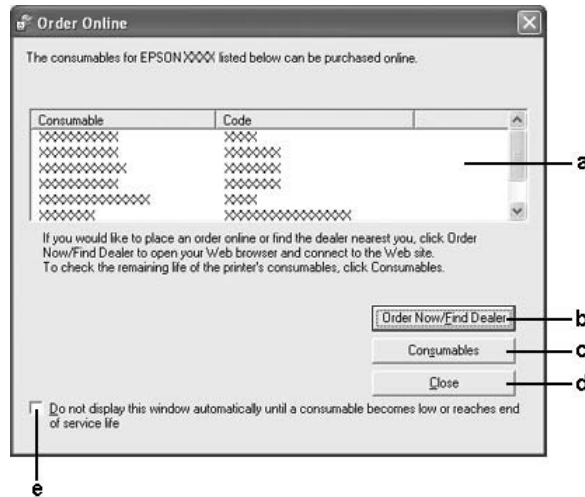
When **Allow monitoring of the shared printers** check box is selected, the **User Account Control** dialog box will appear. Then click **Continue** to make the settings.

Order Online

You can order consumables online by right-clicking the tray icon on the taskbar, then selecting your printer name, then clicking **Order Online**. The Order Online dialog box appears.

Note:

- ❑ You can also order consumables online by clicking the **Order Online** button on the EPSON Status Monitor dialog box. The Order Online dialog box appears.
- ❑ The Order Online dialog box also appears by clicking the **Order Online** button on the **Basic Settings** tab in the printer driver.

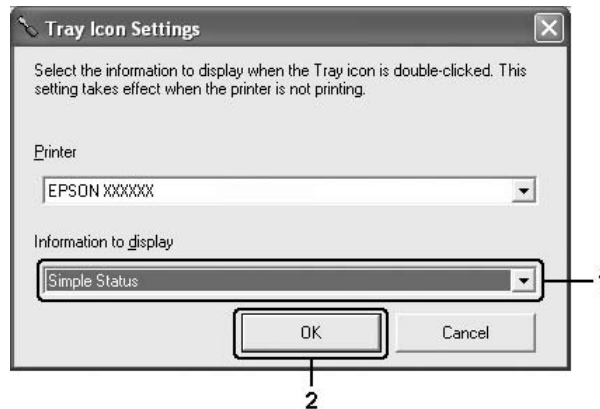


a.	Text box:	Displays the consumables and codes.
b.	Order Now/Find Dealer button:	Connects to the URL where you can place an order and find the dealer nearest you. When you click this button, a confirmation window asking if you wish to connect to the Web site appears. If you do not want this window to appear, select the Do not display the confirmation message before connecting check box in the More Settings dialog box. The More Settings dialog box appears by clicking the More Settings button in the Notice Settings dialog box.
c.	Consumables button:	Displays the consumables information.
d.	Close button:	Closes the dialog box.
e.	Do not display this window automatically until a consumable becomes low or reaches end of service life check box:	When this check box is selected, the Order Online window appears automatically only when a consumable first becomes low or reaches end of service life.

Tray Icon Settings

You can access EPSON Status Monitor by double-clicking the tray icon on the taskbar. The menu that appears by double-clicking the tray icon when no printing job is being processed depends on the settings you select. Follow the steps below to set the tray icon settings.

1. Right-click the tray icon on the taskbar, then select **Tray Icon Settings**.
2. Confirm that your printer is selected. Select the menu you wish to display from the Information to display drop-down list. Then click **OK**.



Note:

You can also access EPSON Status Monitor by right-clicking the tray icon and selecting your printer's name.

Setting Up the USB Connection

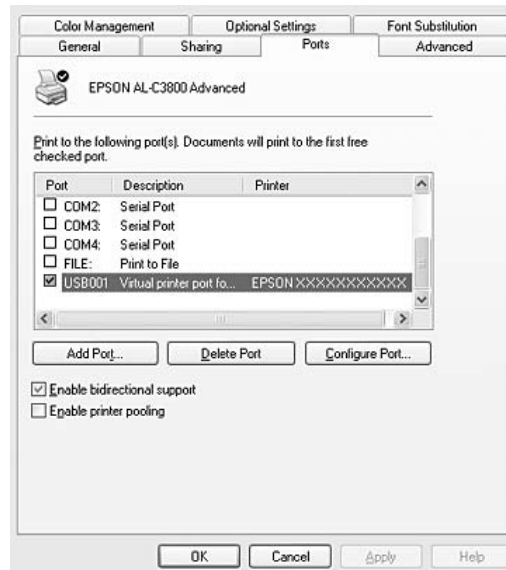
The USB interface that comes with your printer complies with Microsoft Plug and Play (PnP) USB specifications.

Note:

- ❑ Your computer must support USB 2.0 in order to use USB 2.0 as the interface to connect your computer to the printer.
- ❑ Since USB 2.0 is fully compatible with USB 1.1, USB 1.1 can be used as an interface.

1. Access the printer driver.
2. Click the **Ports** tab.

3. Select the USBXXX USB port in the list on the **Ports** tab.



Note:

This screen may vary depending on your operating system version.

4. Click **OK** to save the settings.

Canceling Printing

If the printouts are not what you expected and display incorrect or garbled characters or images, you may need to cancel printing. When the printer's icon is displayed on the taskbar, follow the instructions below to cancel the printing.


Double-click your printer's icon on the taskbar. Select the job in the list, then click **Cancel** from the Document menu.



After the last page is output, the **Ready** (green) light on the printer turns on.

The current job is canceled.

Note:

You can also cancel the current print job that is sent from your computer, by pressing the  **Cancel Job** button on the printer's control panel. When canceling the print job, be careful not to cancel print jobs sent by other users.


Uninstalling the Printer Software

When you wish to reinstall or upgrade the printer driver, be sure to uninstall the current printer software beforehand.

Uninstalling the printer driver

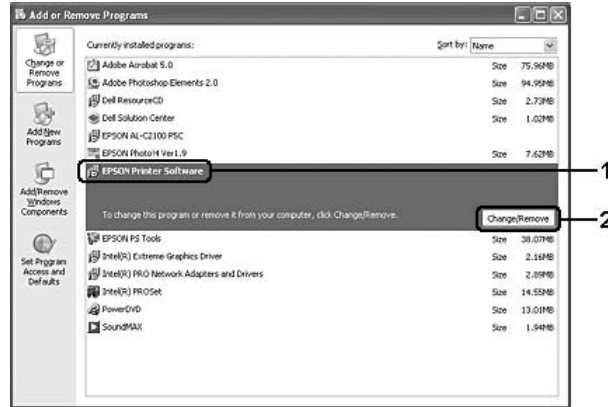
Note:

The illustrations in this section show Windows XP screens. They may be different from the screens for your operating system.

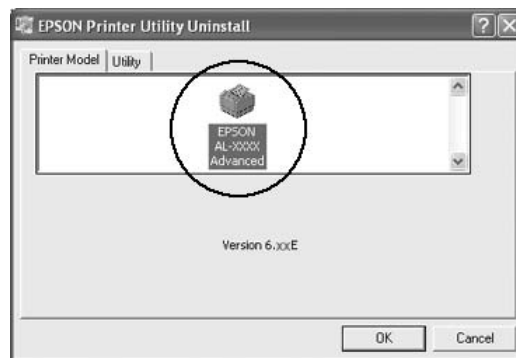
1. Quit all applications.
2. For Windows Vista, click  **Start**, then click **Control Panel**.
For Windows XP, XP x64, Server 2003, or Server 2003 x64, click **Start**, click **Control Panel**, then click **Add or Remove Programs**.
For Windows 2000, click **Start**, point to **Settings**, then click **Control Panel**.
3. For Windows Vista, double-click the **Programs and Features** icon.
For Windows XP, XP x64, Server 2003, or Server 2003 x64, click the **Change or Remove Programs** icon.
For Windows 2000, double-click the **Add/Remove Programs** icon.



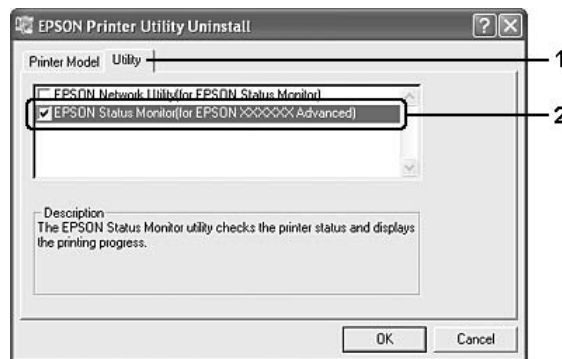
4. For Windows Vista, select **EPSON Printer Software**, then click **Uninstall/Change**.
For Windows XP, XP x64, 2000, Server 2003, or Server 2003 x64, select **EPSON Printer Software**, then click **Change/Remove**.



5. Click the **Printer Model** tab, select your printer's icon.



6. Click the **Utility** tab, and confirm that the check box for the printer software you want to uninstall is selected.



Note:

If you wish to uninstall only EPSON Status Monitor, select the **EPSON Status Monitor** check box.

7. To uninstall, click **OK**.

Note:

You can uninstall EPSON Network Utility. When the utility is uninstalled, you cannot display the printer status from EPSON Status Monitor of other printers.

8. Follow the on-screen instructions.

Sharing the Printer on a Network

Sharing the printer

This section describes how to share the printer on a standard Windows network.

The computers on a network can share a printer that is directly connected to one of them. The computer that is directly connected to the printer is the print server, and the other computers are the clients which need permission to share the printer with the print server. The clients share the printer via the print server.

According to the versions of Windows OS and your access rights on the network, perform the appropriate settings of the print server and clients.

Setting the print server

See "Using an additional driver" on page 94.

Setting the clients

See "With Windows Vista, Vista x64, XP, XP x64, or 2000" on page 98.

Note:

- From Windows Me or 98 clients, you cannot access the printer shared by the Windows Vista or Vista x64 print server.
- From Windows Vista or Vista x64 clients, you cannot access the printer shared by the Windows Me or 98 print server.
- When sharing the printer, be sure to set EPSON Status Monitor so that the shared printer can be monitored on the print server. See "Notice Settings" on page 86.

- ❑ *The print server and clients should be set on the same network system, and they should be under the same network management beforehand.*


Using an additional driver

When the print server's OS is Windows Vista, Vista x64, XP, XP x64, 2000, Server 2003, or Server 2003 x64, you can install the additional drivers on the server. The additional drivers are for client computers that have different OS from the server.

Follow the steps below to set a Windows Vista, Vista x64, XP, XP x64, 2000, Server 2003, or Server 2003 x64 as a print server, then install the additional drivers.

Note:

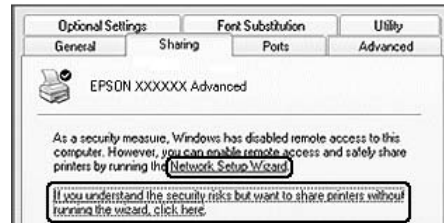
You must access Windows XP, XP x64, 2000, Server 2003, or Server 2003 x64 as the Administrators of the local machine.

1. For a Windows Vista or Vista x64 print server, click  **Start**, click **Control Panel**, then double-click **Printers**.
For a Windows XP, XP x64, Server 2003, or Server 2003 x64 print server, click **Start**, point to **Printers and Faxes**.
For a Windows 2000 print server, click **Start**, point to **Settings**, then click **Printers**.
2. Right-click your printer's icon, then click **Sharing** in the menu that appears.

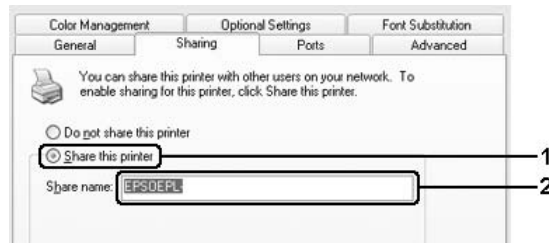
For Windows Vista, click **Change sharing options**, then click **Continue**.

For Windows XP, XP x64, Server 2003, or Server 2003 x64, if the following menu appears, click either **Network Setup Wizard** or **If you understand the security risks but want to share printers without running the wizard, click here**.

In either case, follow the on-screen instructions.



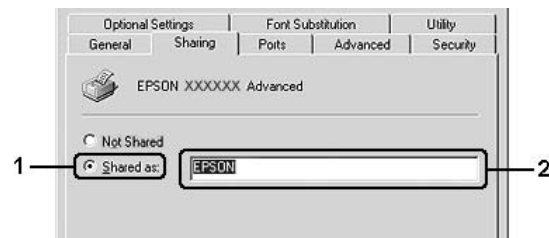
- For a Windows Vista, Vista x64, XP, XP x64, Server 2003, or Server 2003 x64 print server, select **Share this printer**, then type the name in the Share name box.



Note:

Do not use spaces or hyphens for the Share name, or an error may occur.

For a Windows 2000 print server, select **Shared as**, then type the name in the Share Name box.



- Select the additional drivers.

Note:

If the computers of the server and clients use the same OS, you do not have to install the additional drivers. Just click **OK** after step 3.

On the Windows XP, XP x64, 2000, Server 2003, or Server 2003 x64 print server

Click **Additional Drivers**.



Select Windows being used for clients, then click **OK**.

Server Name	Client OS	Driver
Windows 2000	Windows XP or 2000 clients	Intel Windows 2000
Windows XP*	Windows XP or 2000 clients	Intel Windows 2000 or XP
	Windows XP x64 clients	x64 Windows XP
Windows XP x64, Server 2003, or Server 2003 x64*	Windows XP or 2000 clients	x86 Windows 2000, Windows XP and Windows Server 2003
	Windows XP x64 clients	x64 Windows XP and Windows Server 2003
Windows Vista, Vista x64	Windows Vista, XP, 2000, Server 2003 clients	x86 Type 3 - User Mode
	Windows Vista x64, XP x64 or Server 2003 x64 clients	x64 Type 3 - User Mode

* The additional driver for Windows XP x64 and Server 2003 x64 can be used on Windows XP Service Pack 2, Windows 2003 Service Pack 1, or later.



Note:

- You do not have to install the additional drivers noted below, because these drivers are preinstalled.
Intel Windows 2000 (for Windows 2000)
Intel Windows 2000 or XP (for Windows XP)
x86 Windows 2000, Windows XP and Windows Server 2003 (for Windows Server 2003)
x64 Windows XP and Windows Server 2003 (for Windows XP x64 or Windows Server 2003 x64 edition)
x86 Type 3 - User Mode (for Windows Vista, XP, 2000, Server 2003 clients)
x64 Type 3 - User Mode (for Windows Vista x64, XP x64 or Server 2003 x64 clients)
- Do not select additional drivers other than the drivers listed in the above table. The other additional drivers are not available.

Setting up clients

This section describes how to install the printer driver by accessing the shared printer on a network.

Note:

- ❑ *To share the printer on a Windows network, you need to set the print server. For details, see "Using an additional driver" on page 94.*
- ❑ *This section describes how to access the shared printer on a standard network system using the server (Microsoft workgroup). If you cannot access the shared printer due to the network system, ask the administrator of the network for assistance.*
- ❑ *This section describes how to install the printer driver by accessing the shared printer from the **Printers** folder. You can also access the shared printer from Network, Network Neighborhood, or My Network on the Windows desktop.*
- ❑ *You cannot use the additional driver on the server system OS.*
- ❑ *When you want to use EPSON Status Monitor at a client, you have to install EPSON Status Monitor from the CD-ROM with administrator privileges in each client.*
- ❑ *For Windows Vista, if you want to monitor a shared printer with several users on a client computer, select the **Allow monitoring of the shared printers** check box in **EPSON Status Monitor**.*

With Windows Vista, Vista x64, XP, XP x64, or 2000


Follow the steps below to set Windows Vista, Vista x64, XP, XP x64, or 2000 clients.

You can install the printer driver for the shared printer, if you have Power Users or more powerful access rights even if you are not the Administrator.

For Windows Vista or Vista x64, even if you are not an administrator or power user, you can install the printer driver by clicking **Continue** when the prompt to continue the installation appears.

Note:

The illustrations in this section show Windows XP screens. They may be different from the screens for your operating system.

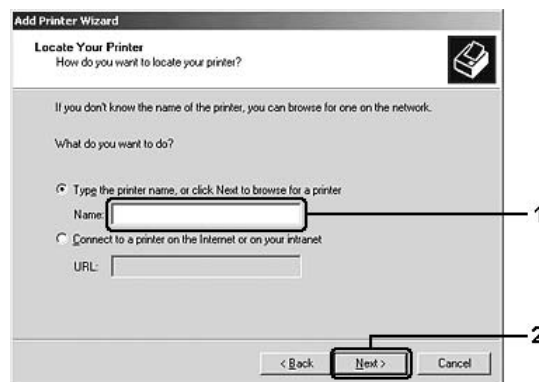
1. For Windows 2000 clients, click **Start**, point to **Settings**, and click **Printers**.
For Windows XP or XP x64 clients, click **Start**, point to **Printers and Faxes**.
For Windows Vista or Vista x64 clients, click  **Start**, click **Control Panel**, then double-click **Printers**.

- For Windows 2000, double-click the **Add Printer** icon, then click **Next**.
For Windows XP or XP x64 click **Add a printer** in the Printer Tasks menu.



For Windows Vista or Vista x64, click **Add a printer** in the menu bar.

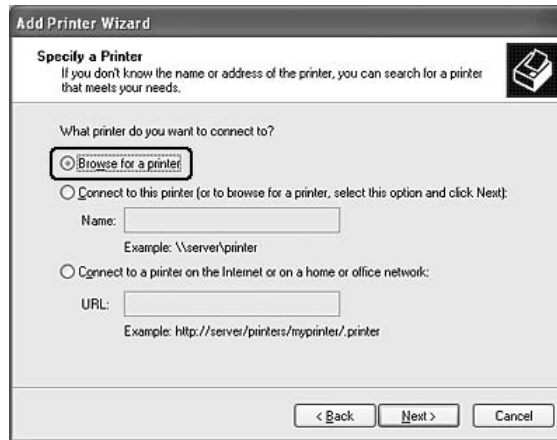
- For Windows 2000, select **Network printer**, then click **Next**.
For Windows XP or XP x64, select **A network printer, or a printer attached to another computer**, then click **Next**.
For Windows Vista or Vista x64, click **Add a network, wireless or Bluetooth printer**. If the shared printer is found automatically, proceed to step 5. If not, click **stop** and click **The printer that I want isn't listed**, then go to step 4.
- For Windows 2000, type the name of the shared printer, then click **Next**.



Note:

- ❑ You can also type "**\\(the name of the computer that is locally connected to the shared printer)\(the shared printer's name)**" in network path or queue name.
- ❑ You do not necessarily need to type the name of the shared printer.

For Windows XP or XP x64, select **Browse for a printer**.



For Windows Vista or Vista x64, click **Select a shared printer by name** in the dialog box that appears, then click **Next**.

5. For Windows XP, XP x64, 2000, Server 2003, Server 2003 x64, click the icon of the computer or server that is connected to the shared printer, and the name of the shared printer, then click **Next**.



Note for Windows Vista users:

When the dialog box to enter user name and password appears, enter the information about the print server, then click the name of the shared printer. When the Add Printer dialog box appears, click **Next**.

Note:

- ❑ The name of the shared printer may be changed by the computer or server that is connected to the shared printer. To make sure of the name of the shared printer, ask the administrator of the network.

- ❑ *If the printer driver is installed in the client beforehand, you need to select either the new printer driver or the current printer driver. When the prompt to select the printer driver appears, select the printer driver according to the message.*
 - ❑ *If the additional driver for the corresponding Windows is installed in the print server, go to the next step.*
6. Select whether to use the printer as the default printer or not, then click **Next**.
 7. Make sure of the settings, then click **Finish**.



Installing the printer driver from the CD-ROM

This section describes how to install the printer driver in the clients when setting the network system without installing the additional drivers in the print server.

The on-screen displays on the following pages may differ depending on the version of Windows OS.

Note:

- ❑ *When installing in Windows XP, XP x64, or 2000 clients, you must access Windows XP, XP x64, or 2000 as the Administrator.*
 - ❑ *For Windows Vista or Vista x64, even if you are not an administrator or power user, you can install the printer driver by clicking **Continue** when the prompt to continue the installation appears.*
 - ❑ *If the additional drivers are installed or the computers of the server and clients use the same OS, you do not have to install the printer drivers from the CD-ROM.*
1. Access the shared printer and a prompt may appear. Click **OK**, then follow the on-screen instructions to install the printer driver from the CD-ROM.

2. Insert the CD-ROM, type the appropriate drive and folder names in which the printer driver for clients is located, then click **OK**.



When installing drivers, “Digital Signature is not found.” may appear. Click **Yes** (for Windows 2000) or **Continue Anyway** (for Windows Vista, Vista x64, XP, XP x64, Server 2003, or Server 2003 x64) and continue installing.

The folder name differs depending on the OS being used.

Client's OS	Folder Name
Windows Vista, XP, or 2000	\<Language>\WINVISTA_XP_2K
Windows Vista x64 or XP x64	\<Language>\VISTA_XP64

3. Select the name of the printer, click **OK**, then follow the on-screen instructions.

Chapter 5

Using the Printer Software with Macintosh

About the Printer Software

The printer driver lets you choose from a wide variety of settings to get the best results from your printer. EPSON Status Monitor lets you check the status of your printer. See “Monitoring Your Printer using EPSON Status Monitor” on page 126 for more information.

Note:

- ❑ *Instructions in this section that are common to all operating systems are for Mac OS X 10.3 as an example. They may slightly differ from what actually appears on your screen depending on your operating system; however, the functions are the same.*
- ❑ *You have to re-install the printer driver after major operating system updates such as OSX 10.3 to 10.4, but you do not have to re-install it for minor updates such as 10.3.1 to 10.3.2.*

Accessing the printer driver

To control your printer and change its settings, use the printer driver. The printer driver allows you to easily make all the print settings, including paper source, paper size, and orientation.

Mac OS X

To access the printer driver, register your printer in **Printer Setup Utility** (for Mac OS X 10.3 and 10.4) or **Print Center** (for Mac OS X 10.2), click **Print** on the File menu of any application, then select your printer.

From an application

- ❑ To open the Paper Setting dialog box, select **Page Setup** from the File menu on any application.
- ❑ To open the Basic Settings tab, select **Print** from the File menu on any application.

Note:

The printer driver's online help provides details on printer driver settings.

Making Changes to Printer Settings

Making the print quality settings

You can change the print quality of printouts through settings in the printer driver. With the printer driver, you can make the print settings by choosing from a list of predefined settings, or customizing the settings.

Choosing the print quality by using the Automatic setting

You can change the print quality of printouts to favor speed or detail. There are three levels of print output, **Fast**, **Fine**, and **Maximum**. **Fine** and **Maximum** provide high quality, precise printing, but requires more memory and slows the printing speed.

When **Automatic** is selected on the **Basic Settings** tab, the printer driver takes care of all detailed settings according to the color setting you select. Color and resolution are the only settings you need to make.

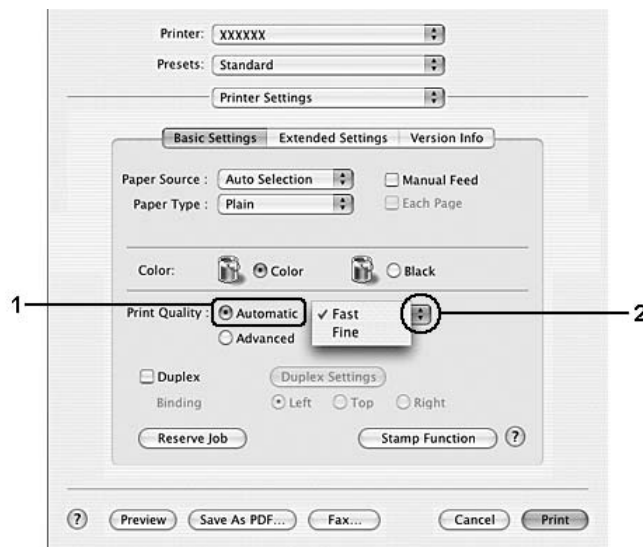
Note:

Maximum cannot be selected from the **Automatic** settings. Select **Advanced** settings to select **Maximum**.

For Mac OS X users

1. Open the Print dialog box.
2. Select **Printer Settings** from the drop-down list, and select the **Basic Settings** tab.

3. Click **Automatic**, then choose the resolution from the drop-down list.



Using the predefined settings

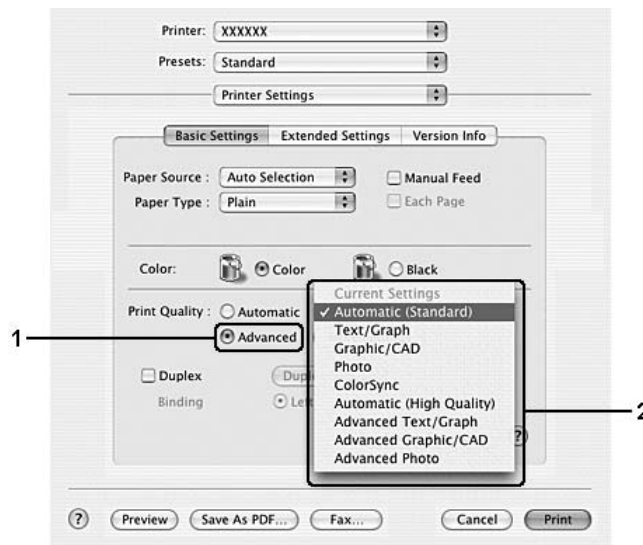
The predefined settings are provided to help you optimize print settings for a particular kind of printout, such as presentation documents or images taken by a video or digital camera.

Follow the steps below to use the predefined settings.

For Mac OS X users

1. Open the Print dialog box.
2. Select **Printer Settings** from the drop-down list, and select the **Basic Settings** tab.

3. Select **Advanced**. You will find the predefined settings in the list on the right of **Automatic**.



4. Select the most appropriate setting from the list according to the type of document or image you want to print.

When you choose a predefined setting, other settings such as Printing Mode, Print Quality, Screen, and Color Management are set automatically. Changes are shown in the **Summary** drop-down list in the Print dialog box.

Note:

The printer driver's online help provides details on printer driver settings.

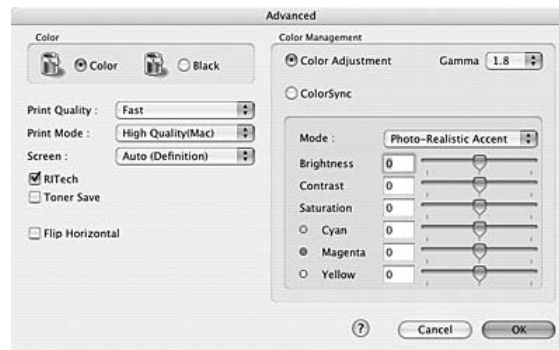
Customizing print settings

Your printer provides for customized print settings if you need more control over the printout, want to make the most detailed settings available, or just want to experiment.

Follow the steps below to customize your print settings.

For Mac OS X users

1. Open the Print dialog box.
2. Select **Printer Settings** from the drop-down list, and select **Basic Settings** tab.
3. Click **Advanced**, then click **More Settings**. The following dialog box appears.



4. Choose **Color** or **Black** as the Color setting.
5. Choose the desired print quality from the drop-down list.

Note:

When making the other settings, click the button for details on each setting.

6. Click **OK** to apply the settings and return to the Basic Settings dialog box.

Note:

For details on each setting, see the online help.

Saving your settings

For Mac OS X users

Use the following procedures to save your custom settings.

Save your custom settings by **Save** or **Save As** in the Presets on the Print dialog box. Type a name for your custom settings in the name box. Your settings will be saved with this name in the Presets drop-down list.

Note:

The **Custom Setting** option is a standard feature of Mac OS X.

Resizing printouts

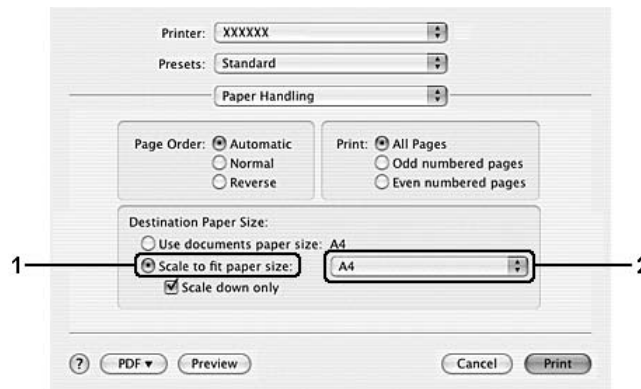
You can enlarge or reduce the size of your documents during printing according to the specified paper size.

For Mac OS X users

Note:

This function is not available with Mac OS X 10.2 and 10.3.

1. Open the Print dialog box.
2. Select **Paper Handling** from the drop-down list.
3. Select **Scale to fit paper size** and select the desired paper size from the drop-down list.



Note:

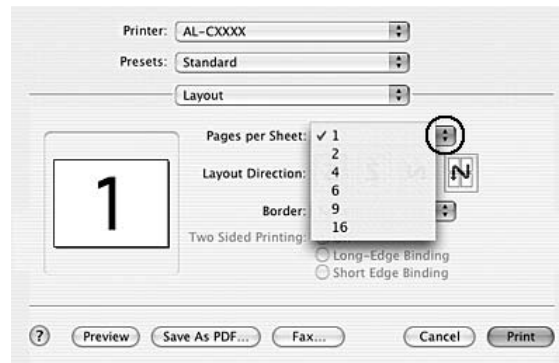
- ❑ If you select **Scale down only**, your documents are not enlarged even if you select the large paper size.
- ❑ The Paper Handling settings are a standard feature of Mac OS X 10.4.

Modifying the print layout

You can print a maximum of 16 pages onto a single page and to specify the printing order, automatically resizing each page to fit the specified paper size by using Layout printing. You can also choose to print documents surrounded by a frame.

For Mac OS X users

1. Open the Print dialog box.
2. Select **Layout** from the drop-down list.
3. Select the number of pages you want to print on one sheet of paper from the drop-down list.



4. Click **Print** to start printing.

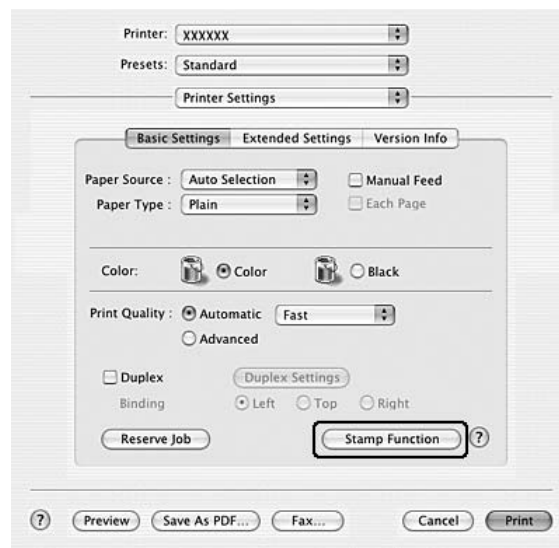
Note:
The **Layout** settings are a standard feature of Mac OS X.

Using a watermark

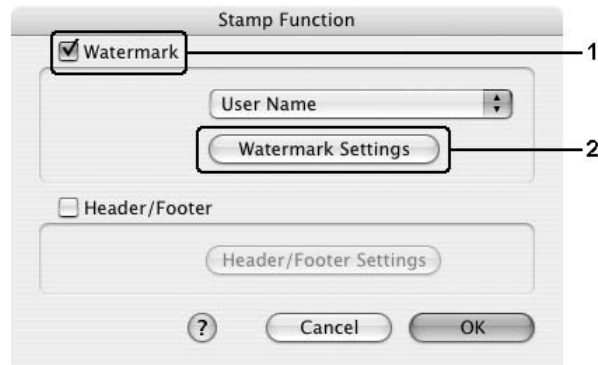
Follow the steps below to use a watermark on your document. In the Stamp Function dialog box, you can select from a list of predefined watermarks, or you can select a image file (PDF, PNG, or JPG) or text file as your own custom watermark. For example, you can select the size, intensity, and position of your watermark.

For Mac OS X users

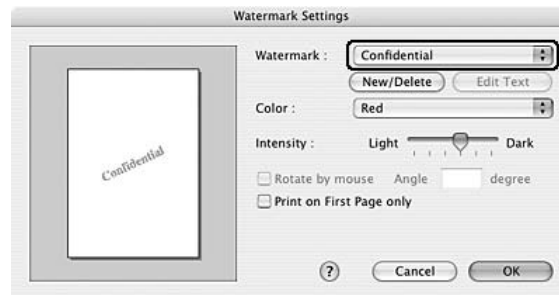
1. Open the Print dialog box.
2. Select **Printer Settings** from the drop-down list, and select the **Basic Settings** tab.
3. Click **Stamp Function**.



4. Select the **Watermark** check box, then click **Watermark Settings**.



5. Select a watermark from the Watermark drop-down list.



6. Select the location on the page where you want to print the watermark by dragging the watermark image on the preview window. To resize the watermark, drag its handle.
7. Adjust the image density of the watermark with the **Intensity** slide bar.
8. You can rotate custom text watermarks by inputting the degrees in the Angle box. Or select the **Rotate by mouse** check box, then rotate the text watermark with the pointer on the preview window.
9. Click **OK** to apply the settings.

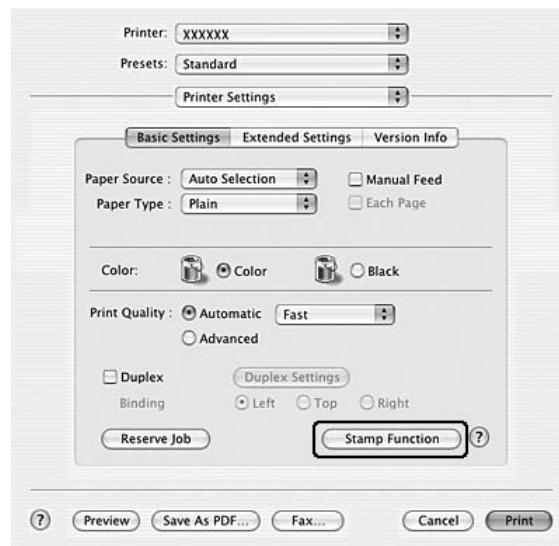
Making a new watermark

You can make a new text or image for a watermark with the following procedures.

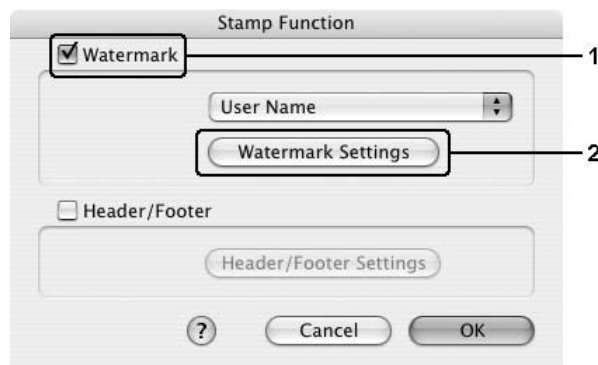
To make a text watermark

For Mac OS X users

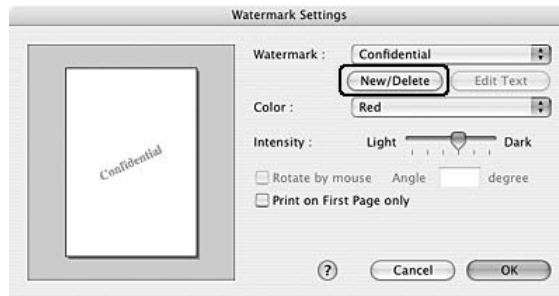
1. Open the Print dialog box.
2. Select **Printer Settings** from the drop-down list, and select the **Basic Settings** tab.
3. Click **Stamp Function**.



4. Select the **Watermark** check box, then click **Watermark Settings**.



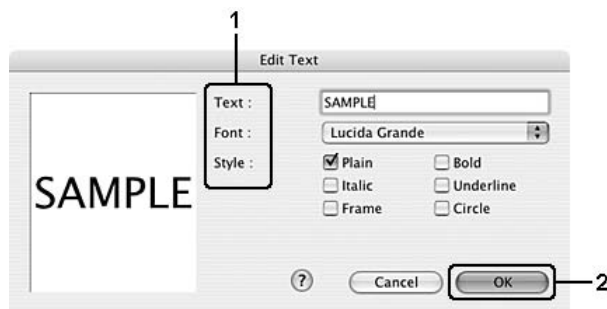
5. Click **New/Delete**.



6. Click **Add Text** on the User Stamp Setting dialog box.



7. Click the Text box to open the Text Input dialog box. Type the watermark text, then click **OK** to close the dialog box. Select the Font and Style, then click **OK** on the Edit Text dialog box.



8. Type the file name in the Watermark box, then click **Save**.



Note:

- To edit the saved text watermark, select it from the List box, then click **Edit Text**. After editing, be sure to click **OK** to close the dialog box.
 - To remove the saved text watermark, select it from the List box, then click **Mark Delete**. After removing it, be sure to click **Save** to close the dialog box.
9. Select a custom watermark, that has been saved, from the Watermark drop-down list on the Watermark Setting dialog box, and then click **OK**.

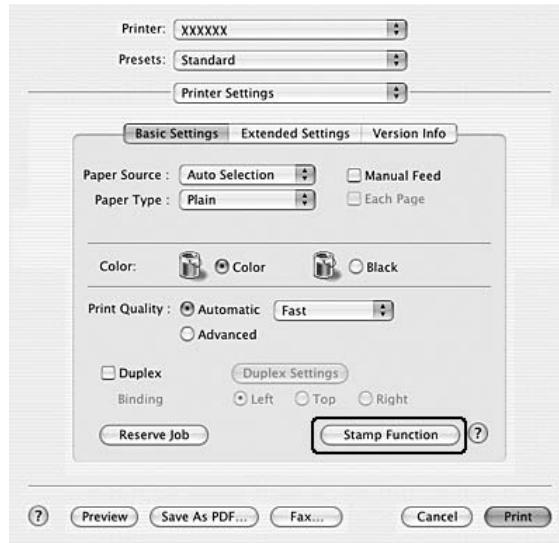
To make an image for a watermark

Before making a custom watermark, you should prepare a image file (PDF, PNG, or JPG).

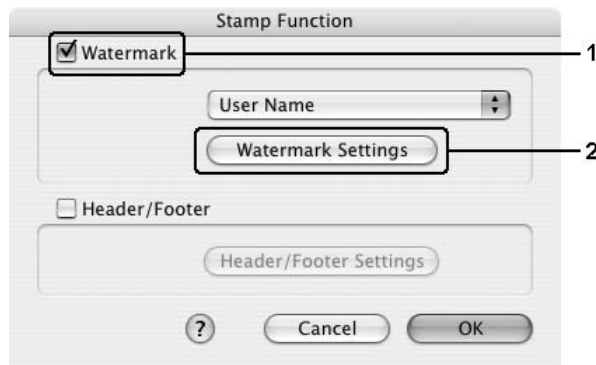
For Mac OS X users

1. Open the Print dialog box.
2. Select **Printer Settings** from the drop-down list, and select the **Basic Settings** tab.

3. Click **Stamp Function**.



4. Select the **Watermark** check box, then click **Watermark Settings**.



5. Click **New/Delete**.



- Click **Add Image** on the User Stamp Setting dialog box.



- Select a image file (PDF, PNG, or JPG), then click **Open**.



- Type the file name in the Watermark box, then click **Save**.



Note:

To remove the saved text watermark, select it from the List box, then click **Mark Delete**. After removing it, be sure to click **Save** to close the dialog box.

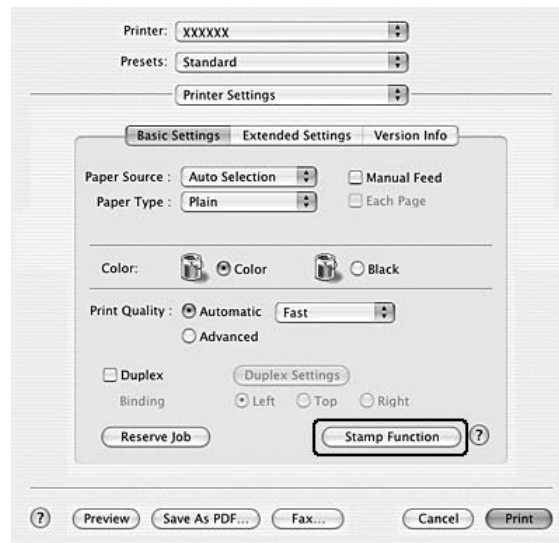
9. Select the saved custom watermark from the Watermark drop-down list on the Watermark Setting dialog box, then click **OK**.

Using headers and footers

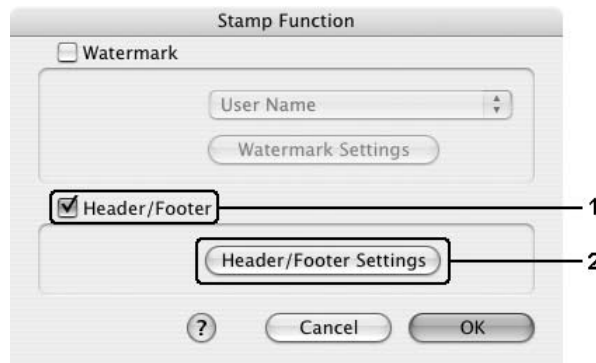
You can print a header or footer on the top or bottom of a page. The items that can be printed as a header or footer include user name, computer name, date, date/time, or collate number.

For Mac OS X users

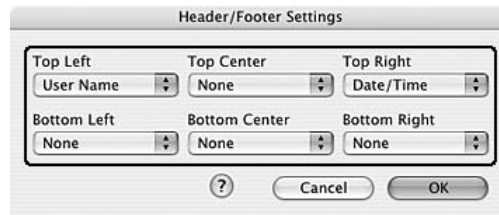
1. Open the Print dialog box.
2. Select **Printer Settings** from the drop-down list, and select **Basic Settings** tab.
3. Click **Stamp Function**.



4. Select the **Header/Footer** check box, then click **Header/Footer Settings**.



5. Select the items to be printed for the header and the footer from the drop-down list.



Note:

If you select **Collate Number** from the drop-down list, the number of copies is printed.

6. Click **OK** to apply the settings.

Duplex printing

Duplex printing prints on both sides of the paper. You can also do duplex printing manually without using the Duplex Unit. When printing for binding, the binding edge can be specified as required to produce the desired page order.

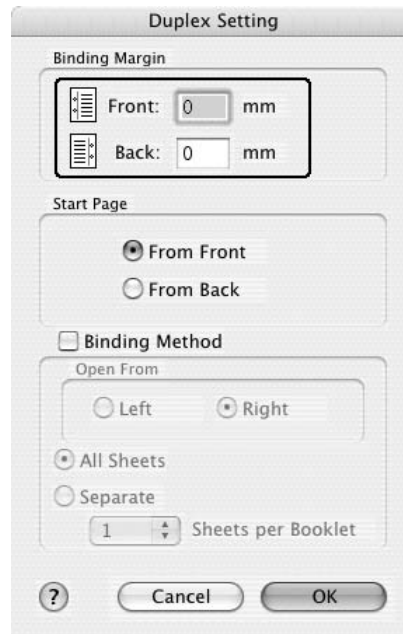
Printing with the Duplex Unit (models with Duplex Unit only)

Follow the steps below to print with the Duplex Unit.

For Mac OS X users

1. Open the Print dialog box.
2. Select **Printer Settings** from the drop-down list, and select **Basic Settings** tab.

3. Click **Duplex** check box, select a Binding position from **Left**, **Top**, or **Right**.
4. Click the **Duplex Settings** button.
5. Specify the Binding Margin for the front and back sides of the paper.



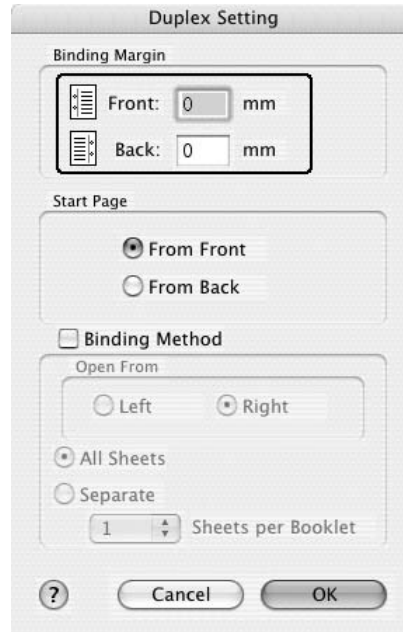
6. Select whether the front or back side of the paper is to be printed as the Start Page.
7. When printing for binding as a booklet, select the **Binding Method** check box and make appropriate settings. For details about each setting, see online help.
8. Click **Print** to start printing.

Doing duplex printing manually (models without Duplex Unit only)

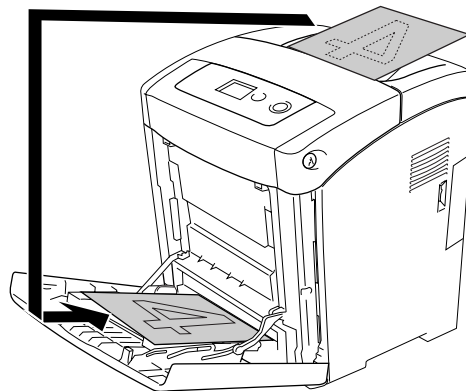
For Mac OS X users

1. Open the Print dialog box.
2. Select **Printer Settings** from the drop-down list, and select the **Basic settings** tab.
3. Select the **Duplex (Manual)** check box, then click **Duplex Settings**.
4. Select a Binding position from **Left**, **Top**, or **Right**.

- Specify the Binding Margin for the front and back sides of the paper.



- Select whether the front or back side of the paper is to be printed as the Start Page.
- When printing for binding as a booklet, select the **Binding Method** check box and make appropriate settings. For details about each setting, see online help.
- Click **Print** to start printing.
- After printing on one side, reload the paper into the MP tray with the printed surface face-up as shown below. Then press the **Start/Stop** button.



Note:

Straighten the paper before loading it. If curled paper is loaded, it may not feed correctly.

Making Extended Settings

You can make various settings in the Extended Settings dialog box, for example Skip Blank Page.

For Mac OS X users, open the Print dialog box and select **Printer Settings** from the drop-down list, then select the **Extended Settings** tab.

Note:

The printer driver's online help provides details on printer driver settings.

Using the Reserve Job Function

The Reserve Job function allows you to store print jobs on the printer's memory and to print them later directly from the printer's control panel. Follow the instructions in this section to use the Reserve Job function.

Note:

You need to keep sufficient RAM disk capacity in order to use the Reserve Job function. To enable RAM disk, you have to set the RAM Disk setting on the control panel to Normal or Maximum. We recommend installing an optional memory to use this function. For instructions about increasing your printer's memory, see "Installing a memory module" on page 196.

The table below gives an overview of the Reserve Job options. Each option is described in detail later in this section.

Reserve Job Option	Description
Re-Print Job	Lets you print the job now and store it for later reprinting.
Verify Job	Lets you print one copy now to verify the content before printing multiple copies.
Confidential Job	Lets you apply a password to the print job and save it for later printing.

Jobs stored on the printer's memory are handled differently depending on the Reserve Job option. Refer to the tables below for details.

Reserve Job Option	Maximum Number of Jobs	When Maximum is Exceeded	When RAM Disk is Full
Re-Print Job + Verify Job	64 (combined total)	Oldest job automatically replaced with newest	Oldest job automatically replaced with newest
Confidential Job	64	Delete old jobs manually	Delete old jobs manually

Reserve Job Option	After Printing	After Turning Off Printer or Using Reset All
Re-Print Job	Data remains on the printer's memory	Data is cleared
Verify Job		
Confidential Job	Data is cleared	

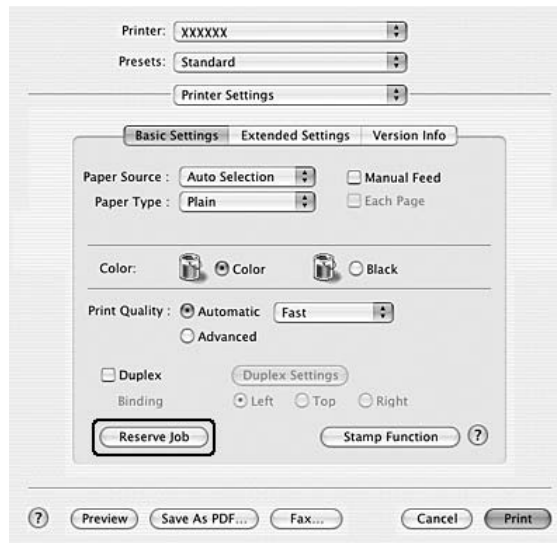
Re-Print Job

The Re-Print Job option allows you to store the job you are currently printing so that you can reprint it later directly from the control panel.

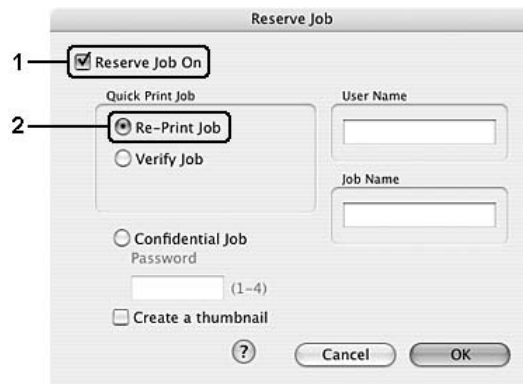
Follow the steps below to use the Re-Print Job option.

For Mac OS X users

1. Open the Print dialog box and select **Printer Settings** from the drop-down list, then click the **Basic Settings** tab.
2. Click the **Reserve Job** button.



3. Select the **Reserve Job On** check box, then select **Re-Print Job**.



4. Enter a user name and job name in the corresponding text box.

Note:

*If you want to create a thumbnail of the first page of a job, select the **Create a thumbnail** check box. Thumbnails can be accessed by entering `http://` followed by the internal print server's IP address in a Web browser.*

5. Click **OK**. The printer prints your document, then stores the print job data on the printer's memory.

To reprint or delete this data using the printer's control panel, see "Using the Quick Print Job Menu" on page 182.

Verify Job

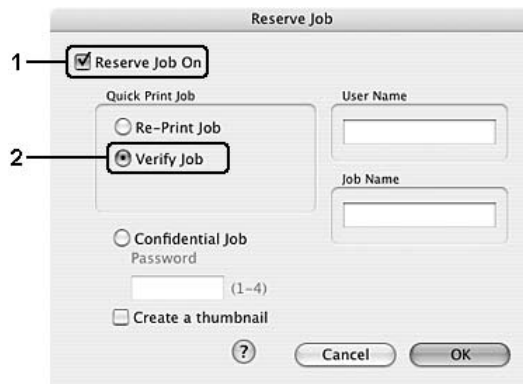
The Verify Job option allows you to print one copy in order to verify the content before printing multiple copies.

Follow the steps below to use the Verify Job option.

For Mac OS X users

1. Open the Print dialog box and select **Printer Settings** from the drop-down list, then click the **Basic Settings** tab.
2. Click the **Reserve Job** button. The Reserve Job dialog box appears.

3. Select the **Reserve Job On** check box, then select **Verify Job**.



4. Enter a user name and job name in the corresponding text box.

Note:

*If you want to create a thumbnail of the first page of a job, select the **Create a thumbnail** check box. Thumbnails can be accessed by entering <http://> followed by the internal print server's IP address in a Web browser.*

5. Click **OK**. The printer prints your document and stores the print job data on the printer's memory.

After you have confirmed the printout, you can print the remaining copies or delete this data using the printer's control panel. See "Using the Quick Print Job Menu" on page 182 for instructions.

Confidential Job

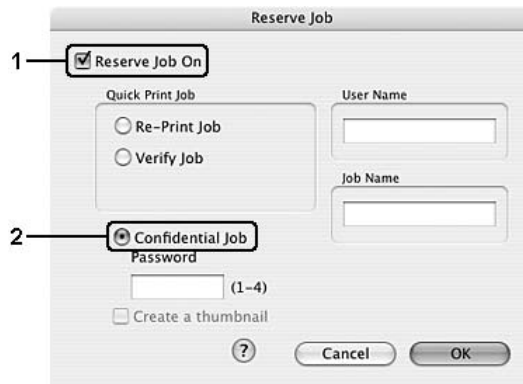
The Confidential Job option allows you to apply passwords to print jobs stored on the printer's memory.

Follow the steps below to store print data using the Confidential Job option.

For Mac OS X users

1. Open the Print dialog box and select **Printer Settings** from the drop-down list, then click the **Basic Settings** tab.
2. Click the **Reserve Job** button. The Reserve Job dialog box appears.

3. Select the **Reserve Job On** check box, then select **Confidential Job**.



4. Enter a user name and job name in the corresponding text box.

Note:

The **Create a thumbnail** check box is not available for the Confidential Job function.

5. Set the password for the job by entering a four-digit number in the password dialog box.

Note:

Password must be four digits.

Only numbers from 1 through 4 can be used for password.

Keep password in a safe place. You must enter the correct password when printing a Confidential Job.

6. Click **OK**. The printer prints your document, then stores the print job data on the printer's memory.

To print or delete this data using the printer's control panel, see "Using the Confidential Job Menu" on page 183.

Monitoring Your Printer using EPSON Status Monitor

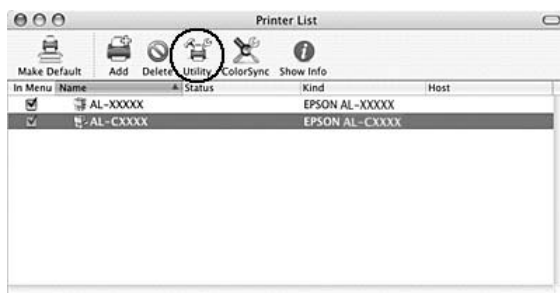
Accessing EPSON Status Monitor

For Mac OS X users

Note:

After installing the EPSON Status Monitor and before doing the procedure below, you need to open the Print dialog box so the EPSON Status Monitor can display the current status of the printer.

1. Open the Applications folder on your hard disk drive, then open the **Utilities** folder.
2. Double-click the **Printer Setup Utility** (for Mac OS X 10.3 and 10.4) or **Print Center** (for Mac OS X 10.2) icon.
3. Click the **Utility** (for Mac OS X 10.3 and 10.4) or **Configure** (for Mac OS X 10.2) icon in the Printer List dialog box.



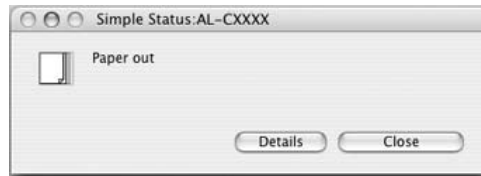
Note:

You can also access EPSON Status Monitor by clicking the EPSON Status Monitor icon in the Dock.

To find detailed information on EPSON Status Monitor, see "Simple Status" on page 127, "Detailed Status" on page 127, "Consumables Information" on page 128, "Job Information" on page 129, and "Notice Settings" on page 130.

Simple Status

The Simple Status window appears when an error or warning occurs. It indicates what type of error has occurred and offers you a possible solution. The window closes automatically once the problem is cleared.



This window will appear according to the Pop-up Notice you select in the Notice Settings dialog box.

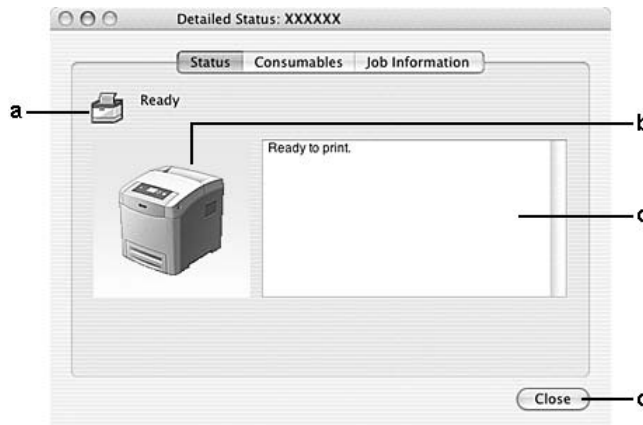
If you wish to see more information about the status of your printer, click **Details**.

Note:

*The Simple Status window does not appear automatically while the **Status** tab in the Detailed Status dialog box is displayed.*

Detailed Status

You can monitor detailed printer status on the **Status** tab in the Detailed Status dialog box.



a.	Icon/Message:	The icon and message show the printer status.
b.	Printer image:	The image at the upper left shows the printer status graphically.

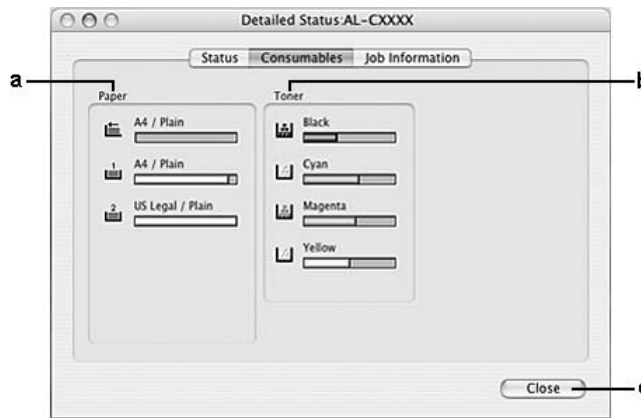
c.	Text box:	The text box next to the printer image displays the current status of the printer. When a problem occurs, the most probable solution is displayed.
d.	Close button:	Clicking this button closes the dialog box.

Note:

You can see information about jobs or consumables by clicking on the respective tab.

Consumables Information

You can obtain information on paper sources and consumable products on the **Consumables** tab in the Detailed Status dialog box.



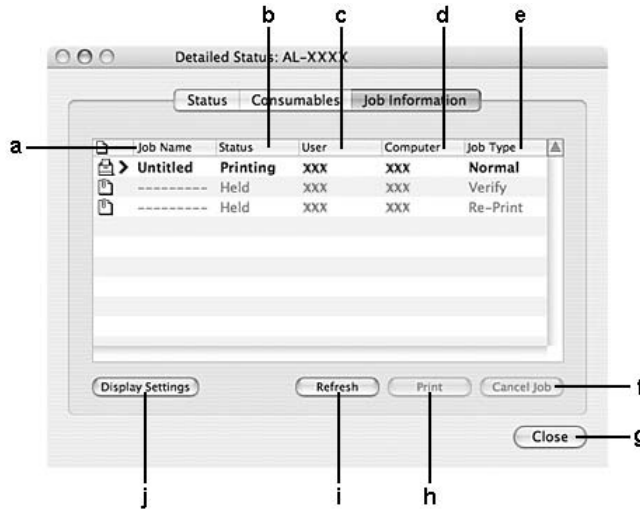
a.	Paper:	Displays the paper size, the paper type and the approximate amount of paper remaining in the paper source. Information on the optional paper cassettes are displayed only if these options are installed.
b.	Toner:	Indicates the remaining service lives of the imaging cartridges. The toner icon flashes when the imaging cartridge has some error or has neared the end of its service life.
c.	Close button:	Clicking this button closes the dialog box.

Note:

- ❑ You can see the status of the printer or information about jobs by clicking on the respective tab.
- ❑ The remaining service lives of the imaging cartridges are displayed only if the genuine EPSON imaging cartridges are used.

Job Information

You can check job information on the **Job Information** tab of the Detailed Status dialog box.



a.	Job Name:	Displays the user's print job names. Other user's print jobs are displayed as -----.	
b.	Status:	Waiting:	The print job which is waiting to be printed.
		Spooling:	The print job which is being spooled.
		Deleting:	The print job which is being deleted.
		Printing:	The print job which is printed currently.
		Completed:	Displays only your jobs that have finished printing.
		Canceled:	Displays only your jobs that have been canceled printing.
	Held:	Job is on hold.	
c.	User:	Displays the user name.	
d.	Computer:	Displays the name of the computer that sent the print job.	
e.	Job Type:	Displays the job type. When the Reserve job function is used, the jobs are displayed as Stored, Verify, Re-Print, and Confidential respectively. About the Reserve Job function, see "Using the Reserve Job Function" on page 121.	

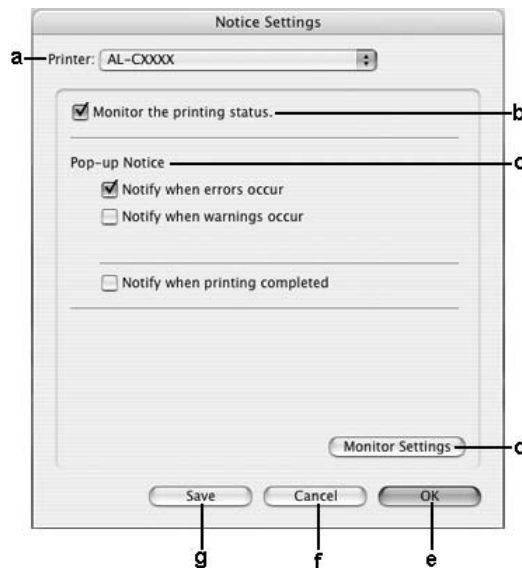
f.	Cancel Job button:	Selecting a print job and clicking this button, cancels the selected print job. You can only cancel the jobs you send.
g.	Close button:	Clicking this button closes the dialog box.
h.	Print button:	Selecting a job that is being held and clicking this button, displays the dialog box for printing the held job. You can only print jobs that you sent that are being held.
i.	Refresh button:	Clicking this button refreshes the information on this menu.
j.	Display settings button:	Displays the Display settings dialog box to select items to be displayed.

Note:

You can see the status of the printer or information about consumables by clicking on the respective tab.

Notice Settings

To make specific monitoring settings, access EPSON Status Monitor and select **Notice Settings** from the file menu. The Notice Settings dialog box appears.



a.	Printer drop-down list:	Select your printer from the drop-down list.
b.	Monitor the printing status check box:	When this check box is selected, EPSON Status Monitor monitors the printer status during a print job is processed.
c.	Pop-up Notice:	Sets the notification to be displayed.
d.	Monitor Settings button:	Displays the Monitor Settings dialog box to set the monitoring interval.

e.	OK button:	Click this button to save the settings and to exit the dialog box.
f.	Cancel button:	Click this button to exit the dialog box without saving the settings.
g.	Save button:	Saves new changes and closes the dialog box.

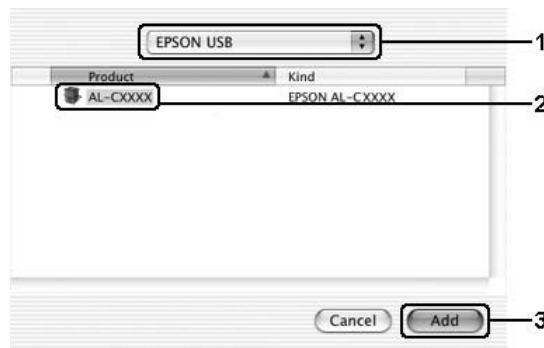
Setting Up the USB Connection

Note:

If you are connecting the USB cable to your Macintosh through a USB hub, be sure to connect using the first hub in the chain. The USB interface may be unstable depending on the hub used. If you experience problems with this type of setup, connect the USB cable directly to your computer's USB connector.

For Mac OS X users

1. Open the Applications folder on your hard drive, then open the **Utilities** folder and double-click the **Printer Setup Utility** (for Mac OS X 10.3 and 10.4) or **Print Center** (for Mac OS X 10.2) icon.
2. Click **Add Printer** in the Printer List dialog box.
3. Select **EPSON USB** or **USB** from the pop-up menu. Select your printer icon in the Product list, then click **Add**.



4. Close **Printer Setup Utility** (for Mac OS X 10.3 and 10.4) or **Print Center** (for Mac OS X 10.2).

Canceling Printing

If the printouts are not what you expected and display incorrect or garbled characters or images, you may need to cancel printing. When a print job continues on the computer, follow the instruction below to cancel printing.

For Mac OS X users

Open **Printer Setup Utility** (for Mac OS X 10.3 and 10.4) or **Print Center** (for Mac OS X 10.2) and double-click your printer from the print queue. Then, select **Delete Job** from the jobs menu.

Uninstalling the Printer Software

For Mac OS X users

1. Quit all applications on the computer.
2. Insert the EPSON printer software CD-ROM in your Macintosh.
3. Double-click the **Printer Driver** folder.
4. Double-click your printer's icon.

Note:

*If the Authorization dialog box appears, enter the **Password or phrase**, then click **OK**.*

5. When the software license agreement screen appears, read the statement, then click **Accept**.
6. Select **Uninstall** from the menu at the upper left, then click **Uninstall**.

Follow the on-screen instructions.

Sharing the Printer on a Network

Sharing the printer

This section describes how to share the printer on an AppleTalk network.

The computers on the network can share the printer that is directly connected to one of them. The computer that is directly connected to the printer is the print server, and the other computers are the clients which need permission to share the printer with the print server. The clients share the printer via the print server.

For Mac OS X users

Use the Printer Sharing setting, which is a standard feature of Mac OS X 10.2 or later.

See your operating system's documentation for details.

Chapter 6

Using the PostScript Printer Driver

About the PostScript 3 Mode

Hardware requirements

Your printer must meet the following hardware requirements to be able to use the PostScript 3 printer driver.

Memory requirements for using the PostScript 3 printer driver are shown below. Install optional memory modules into your printer if the amount of memory currently installed does not meet your printing needs.

Recommended memory
640 MB (for duplex printing of image data in full color at Maximum)

System requirements

Your computer must meet the following system requirements to be able to use the Adobe PostScript 3 printer driver.

For Windows

To use the Adobe PostScript 3 printer driver, your computer must be running Microsoft Windows Vista, Vista x64, XP, XP x64, or 2000.

For Macintosh

Any Macintosh computer to which the printer is connected must be running Mac OS X ver. 10.2.8 or later. See the following table for details.

Note:

To use the PostScript 3 printer driver with a USB interface, your computer must be Macintosh OSX 10.3.9 or later.

Mac OS X

	Minimum	Recommended
Computer	Power Mac G3, G4, G5, iMac, eMac, PowerBook G3, G4, or iBook	
Hard Disk	—	
Memory	128 MB	

Note:

To use binary data, Epson recommends that you use AppleTalk for the printer's network connection. If you use a protocol other than AppleTalk for the network connection, you need to set Binary to On in the PS3 Menu on the control panel. If you use the printer with a local connection, you cannot use binary data.

Using the PostScript Printer Driver with Windows

To print in the PostScript mode, you will have to install the printer driver. See the appropriate sections below for installation instructions according to the interface that you are using to print.

Installing the PostScript printer driver for the USB interface

Follow the steps below to install the PostScript printer driver for the USB interface.

**Caution:**

Never use EPSON Status Monitor and PostScript 3 driver at the same time when the printer is connected via a parallel port. It may damage the system.

Note:

- Installing the printer software for Windows Vista, Vista x64, XP, XP x64, or 2000 may require administrator privileges. If you have problems, ask your administrator for more information.
 - Turn off all virus protection programs before installing the printer software.
1. Make sure that the printer is turned off. Insert the printer software CD-ROM into your CD-ROM drive.
 2. Connect your computer to the printer with a USB cable, then turn on the printer.

Note for Windows Vista:

Without the Windows driver or the Adobe PS driver, the display shows "Found New Hardware". In this case, click **Ask me again later**.

3. For Windows 2000, click **Start**, point to **Settings**, and click **Printers**. Then double-click the **Add Printer** icon.
For Windows Vista, Vista x64, XP, or XP x64, click **Start**, point to **Printer and Faxes**, and click **Add a printer** in the Printer Tasks menu.
4. The Add Printer Wizard appears. Then click **Next**.
5. Select **Local printer**, then click **Next**.

Note:

Do not select the **Automatically detect and install my Plug and Play printer** check box.

6. Select **USB** as the port the printer is connected to, then click **Next**.
7. Click **Have Disk** and specify the following path for the CD-ROM. If your CD-ROM drive is D:, the path will be **D:\ADOBEPSE\ENGLISH\PS_SETUP**
Then click **OK**.

Note:

Change the drive letter as needed for your system.

8. Select the printer, then click **Next**.
9. Follow the on-screen instructions for the rest of the installation.
10. When installation is done, click **Finish**.

Installing the PostScript printer driver for the network interface

See the appropriate sections below according to your operating system, and follow the instructions to install the PostScript printer driver for the network interface.

Note:

- ❑ Set the network settings before installing the printer driver. Refer to the Network Guide that comes with your printer for details.
- ❑ Turn off all virus protection programs before installing the printer software.

For Windows Vista, Vista x64, XP, XP x64, or 2000 users

1. Make sure that the printer is turned on. Insert the printer software CD-ROM into your CD-ROM drive.
2. For Windows Vista, Vista x64, XP, or XP x64, click **Start**, point to **Printer and Faxes**, and click **Add a printer** in the Printer Tasks menu.
For Windows 2000, click **Start**, point to **Settings**, and click **Printers**. Then double-click the **Add Printer** icon.
3. The Add Printer Wizard appears. Then click **Next**.
4. Select **Local printer**, then click **Next**.

Note:

Do not select the **Automatically detect and install my Plug and Play printer** check box.

5. Select the **Create a new port check box and select Standard TCP/IP Port** from the drop-down list. Click **Next**.
6. Click **Next** to continue.
7. Specify the IP address and port name, then click **Next**.
8. Click **Finish**.
9. Click **Have Disk** in the Add Printer Wizard and specify the following path for the CD-ROM. If your CD-ROM drive is D:, the path will be **D:\ADOBEPSE\ENGLISH\WIN2K_XP\PS_SETUP**. Then click **OK**.

Note:

Change the drive letter as needed for your system.

10. Select the printer and click **Next**.

11. Follow the on-screen instructions for the rest of the installation.
12. When installation is done, click **Finish**.

Accessing the PostScript printer driver


You can access the PostScript printer driver directly from any application programs, from your Windows operating system.

The printer settings made from many Windows applications override the setting made when the printer driver is accessed from the operating system, so you should access the printer driver from your application to make sure that you get the result you want.

From the application

To access the printer driver, click the **Print** or **Page Setup** from the File menu. You also need to click **Setup, Options, Properties**, or a combination of these buttons.

For Windows Vista or Vista x64 users

To access the printer driver, click  **Start**, click **Control Panel**, then double-click **Printers**.

For Windows XP or XP x64 users

To access the printer driver, click **Start**, click **Printers and Faxes**, then click **Printers**. Right-click your printer icon, then click **Printing Preferences**.

For Windows 2000 users

To access the printer driver, click **Start**, point to **Settings**, then click **Printers**. Right-click your printer icon, then click **Printing Preferences**.

Making changes to PostScript printer settings

You can change the PostScript printer settings in the PostScript printer driver. Online help is available to help you with the printer driver settings.

Using online help

If you want help on a particular item, click the “?” icon on the top-right corner of the dialog box’s title bar, then click the name of the setting that you want more information on. An explanation of the setting and its options will be displayed.

Using AppleTalk under Windows 2000

Use the following settings if your machine is running Windows 2000, and the printer is connected through an network interface using the AppleTalk protocol:

- Use SelecType to set the Emulation Mode-Network item to **PS3**. Using the default **Auto** setting will cause an extra, unneeded page to be printed.
- On the **Device Settings** sheet of the printer’s Properties dialog box, make sure that **SEND CTRL-D Before Each Job** and **SEND CTRL-D After Each Job** are set to **No**.
- TBCP (Tagged binary communications protocol) cannot be used as the **Output Protocol** setting.
- On the **Job Settings** sheet of the printer’s Properties dialog box, make sure to clear the **Job Management On** check box.

Using the PostScript Printer Driver with Macintosh

Installing the PostScript printer driver

Follow the steps below to install the PostScript printer driver.

Note:

Make sure that no applications are running on your Macintosh before installing the printer driver.

For Mac OS X users

Note:

*Make sure that **Printer Setup Utility** (for Mac OS X 10.3 and 10.4) or **Print Center** (for Mac OS X 10.2) is not open.*

1. Insert the printer software CD-ROM into your CD-ROM drive.
2. Double-click the CD-ROM icon.
3. Double-click **Mac OS X**, then double-click **PS Installer**.

Note:

For Mac OS X 10.2, if the Authenticate window appears, enter the user name and password for an administrator.

4. The Install EPSON PostScript Software screen appears, click **Continue**, then follow the on-screen instructions.
5. Easy Install is displayed on the screen. Click Install.

Note:

For Mac OS X 10.3 and 10.4, if the Authenticate window appears, enter the user name and password for an administrator.

6. When installation is done, click **Close**.

Selecting the printer

After installing the PostScript 3 printer driver, you need to select the printer.

Selecting a printer in a network environment

If the printer is connected through the Ethernet interface or an optional network card.

For Mac OS X users

Follow the steps below to select the printer.

Note:

- You cannot use FireWire for printer connection in the PostScript 3 mode. Although **EPSON FireWire** appears in the interface pop-up list, it cannot be used with the PostScript 3 printer driver.
 - You need to make the settings for your installed options manually when the printer is connected using USB, IP printing, or Bonjour (Rendezvous). When the printer is connected using AppleTalk, the printer software automatically makes the settings.
 - Make sure to specify ASCII as the data format in the application.
1. Open the **Applications** folder, open the **Utilities** folder, then double-click **Printer Setup Utility** (for Mac OS X 10.3 and 10.4) or **Print Center** (for Mac OS X 10.2).
The Printer List window appears.
 2. Click **Add** in the Printer List window.
 3. Select the protocol or the interface that you are using from the pop-up list.

Note for Appletalk users:

Make sure to select **AppleTalk**. Do not select **EPSON AppleTalk**, because it cannot be used with the PostScript 3 printer driver.

Note for IP Printing users:

- Make sure to select **IP Printing**. Do not select **EPSON TCP/IP**, because it cannot be used with the PostScript 3 printer driver.
- After selecting **IP Printing**, enter the IP address for the printer, then make sure to select the **Use default queue on server** check box.

Note for USB users:

Make sure to select **USB**. Do not select **EPSON USB**, because it cannot be used with the PostScript 3 printer driver.

4. Follow the instructions as appropriate below to select your printer.

AppleTalk

Select your printer from the Name List, then select **Auto Select** from the Printer Model List.

IP Printing

Select **Epson** from the Name List, then select your printer from the Printer Model List.

USB

Select your printer from the Name List, then select your printer from the Printer Model List.

Note for Mac OS X 10.3 and 10.4 users:

If ESC/Page driver is not installed, your printer model is automatically selected in the Printer Model List when you select your printer from the Name List while the printer is on.

Bonjour (Rendezvous)

Select your printer, the printer name is followed by **(PostScript)**, from the Name List. Your printer model is automatically selected in the Printer Model List.

Note for USB (for Mac OS X 10.2) or Bonjour (Rendezvous) users:

If your printer model is not automatically selected in the Printer Model list, you need to reinstall the PostScript printer driver. See "Installing the PostScript printer driver" on page 140.

5. Click **Add**.

Note for IP Printing users, USB or Bonjour (Rendezvous) users:

*Select your printer from the Printer list, then select **Show Info** from the Printers menu. The Printer Info dialog box appears. Select **Installable Options** from the pop-up list, then make the necessary settings.*

6. Confirm that your printer's name is added to the Printer List. Then quit **Printer Setup Utility** (for Mac OS X 10.3 and 10.4) or **Print Center** (for Mac OS X 10.2).

Accessing the PostScript printer driver

To control your printer and change its settings, use the printer driver. The printer driver allows you to easily make all the print settings, including paper source, paper size, and orientation.

For Mac OS X users

To access the PostScript printer driver, register your printer in **Printer Setup Utility** (for Mac OS X 10.3 and 10.4) or **Print Center** (for Mac OS X 10.2), click **Print** on the file menu of any application, then select your printer.

Making changes to PostScript printer settings

You can change the PostScript printer settings in the PostScript printer driver. Balloon help is available to help you with the printer driver settings.

Using Balloon Help

Follow the steps below to use Balloon Help.

1. Click the **Help** menu, then select **Show Balloons**.
2. Place your cursor over the item that you need help with. Information on that item is displayed inside a floating balloon.

Changing the printer setup settings

You can change or update the printer setup settings according to the options installed in your printer.

Note for Mac OS X users:

When **Super** is selected as the resolution, the following functions in the printer driver cannot be used.

Color Model:	RGB
Screen:	Auto (Gradation), Auto (Definition), Increase Definition, Increase Gradation
RGB Color Mode:	Vivid, Photo
RItech:	On

For Mac OS X users

Follow the steps below to change the settings.

1. Access the printer driver. The Printer List window appears.
2. Select the printer from the list.
3. Select **Show Info** from the Printers menu. The Printer Info dialog box appears.
4. Make necessary changes to the settings, then close the dialog box.
5. Quit **Printer Setup Utility** (for Mac OS X 10.3 and 10.4) or **Print Center** (for Mac OS X 10.2).

Chapter 7

Using the PCL6/PCL5 Printer Driver

About the PCL Mode

Hardware requirements

Your printer must meet the following hardware requirements to be able to use the PCL6/PCL5 printer driver.

Memory requirements for using the PCL6/PCL5 printer driver are shown below. Install optional memory modules into your printer if the amount of memory currently installed does not meet your printing needs.

Minimum memory	Recommended memory
128 MB* (for a simple print job at 600 dpi)	256 MB* or more

* Printing may not be possible with this amount of memory, depending on the specifics of the job being printed.

System requirements

Your computer must meet the following system requirements to be able to use the PCL6/PCL5 printer driver.

To use the PCL6/PCL5 printer driver, your computer must be running Microsoft Windows Vista, Vista x64, XP, XP x64, Server 2003, Server 2003 x64, or have installed the 2000 Service Pack 3 or later.

For Windows Vista

	Minimum	Recommended
Computer	IBM PC series or IBM compatible with PentiumIII 800MHz or higher CPU	IBM PC series or IBM compatible with PentiumIII 1GHz or higher CPU
Hard Disk	10-25 MB free (for driver installation)	
Memory	512MB	512 MB
Display	Super VGA supporting	DirectX 9 with 32MB graphics memory or more

For Windows Vista x64

	Minimum	Recommended
Computer	IBM PC series or IBM compatible with Intel EM64T or AMD/64 CPU	IBM PC series or IBM compatible with Intel EM64T or AMD/64 CPU
Hard Disk	10-25 MB free (for driver installation)	
Memory	512MB	512 MB
Display	Super VGA supporting	DirectX 9 with 32MB graphics memory or more

For Windows XP or 2000

	Minimum	Recommended
Computer	IBM PC series or IBM compatible with Pentium or higher CPU	IBM PC series or IBM compatible with Pentium II or higher CPU
Hard Disk	10-25 MB free (for driver installation)	
Memory	128 MB (256 MB for Server 2003)	256 MB
Display	Super VGA supporting 640 × 480	Super VGA supporting 800 × 600 or more

For Windows XP x64 or 2003 Server x64

	Minimum	Recommended
Computer	IBM PC series or IBM compatible with Intel EM64T or AMD/64 CPU	
Hard Disk	10-25 MB free (for driver installation)	
Memory	256 MB	512 MB
Display	Super VGA supporting 640 × 480	Super VGA supporting 800 × 600 or more

Using the PCL6/PCL5 Printer Driver

To print in the PCL mode, you will have to install the printer driver. Consult the customer support in your region regarding how to get the printer driver.

Note:

The PCL6/PCL5 printer driver and EPSON Status Monitor cannot be used at the same time.

Chapter 8

Using the Control Panel

Using the Control Panel Menus

You can use the printer's control panel to access a variety of menus that allow you to check the status of consumable products, print status sheets, and make printer settings. This section describes how to use the control panel menus, and when it is appropriate to make printer settings using the control panel.


When to make control panel settings

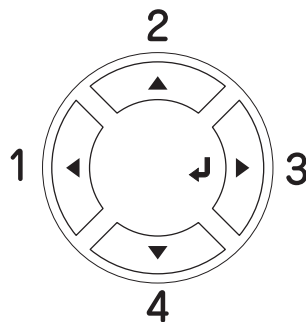
In general, printer settings can be made from the printer driver, and do not need to be made using the control panel. In fact, printer driver settings override settings made using the control panel, so use the control panel menus only to make settings you cannot make in your software or printer driver, including the following:

- ❑ Changing the emulation modes and selecting the IES (Intelligent Emulation Switching) mode
- ❑ Specifying a channel and configuring the interface
- ❑ Choosing the size of the memory buffer used to receive data

How to access the control panel menus

For a complete description of the items and settings available in the control panel menus, see "Control Panel Menus" on page 147.

1. Press the  **Enter** button to access the control panel menus.



2. Use the **▲ Up** and **▼ Down** buttons to scroll through the menus.
3. Press the **↵ Enter** button to view the items in a menu. Depending on the menu, the LCD panel displays an item and the current setting separated (**◆YYYY=ZZZZ**), or only an item (**◆YYYY**).
4. Use the **▲ Up** and **▼ Down** buttons to scroll through the items, or press the **◀ Back** button to return to the previous level.
5. Press the **↵ Enter** button to carry out the operation indicated by an item, such as printing a status sheet or resetting the printer, or to view the settings available for an item, such as paper sizes or emulation modes.

Use the **▲ Up** and **▼ Down** buttons to scroll through available settings, then press the **↵ Enter** button to select a setting and return to the previous level. Press the **◀ Back** button to return to the previous level without changing the setting.

Note:

You need to turn the printer off and then on to activate some settings. For details, see "Control Panel Menus" on page 147.

6. Press the **○ Start/Stop** button to exit the control panel menus.

Control Panel Menus

Press the **▲ Up** and **▼ Down** buttons to scroll through the menus. The menus and menu items appear in the order shown below.

Note:

Some menus and items appear only when a corresponding optional device is installed or an appropriate setting has been done.

Information Menu

From this menu you can check the remaining service lives of consumable products such as the imaging cartridges. You can also print status and sample sheets showing the printer's current settings, available fonts, and a brief summary of available features.

Press the **▼ Down** or **▲ Up** button to select an item. Press the **↵ Enter** button to print a sheet or font sample.

Item	Settings (default in bold)
Status Sheet	-
Toner Check Sheet	-
Reserve Job List ^{*1}	-
Network Status Sheet ^{*2}	-
USB Ext I/F Status Sht ^{*3}	-
PS3 Status Sheet	-
PS3 Font List	-
PCL Font Sample	-
ESCP2 Font Sample	-
FX Font Sample	-
I239X Font Sample	-
Cyan(C)/Magenta(M)/Yellow(Y)/Black(K) Toner	E*****F
Transfer	E*****F
Fuser	E*****F
Total Pages	0 to 99999999
Color Pages	0 to 99999999
B/W Pages	0 to 99999999

*1 Available only when the jobs are stored by using the Quick Print Job feature.

*2 Available only when the Network I/F setting in Network Menu is set to On.

*3 Available only when the printer is connected to a USB device with D4 support and has been turned on when the USB I/F setting is set to On.

Status Sheet

Prints a sheet showing the current printer settings and installed options. This sheet can be useful to confirm whether options have been installed correctly.

Toner Check Sheet

Prints a sheet showing the printing patterns using the currently installed imaging cartridges.

Reserve Job List

Prints a list of reserved print jobs stored on the printer's memory.

Network Status Sheet

Prints a sheet showing the working status of the network.

USB Ext I/F Status Sht

Prints a sheet showing the working status of the USB interface.

PS3 Status Sheet

Prints a sheet showing information about the PS3 mode such as the PS3 version.

PS3 Font List, PCL Font Sample, ESCP2 Font Sample, FX Font Sample, I239X Font Sample

Prints a sample of the fonts available for your selected printer emulation.

Cyan(C) Toner/Magenta(M) Toner/Yellow(Y) Toner/Black(K) Toner/Transfer/Fuser

Displays the remaining service lives of consumables as shown below:

E*****F	(100 to 83%)
E***** F	(83 to 66%)
E**** F	(66 to 50%)
E*** F	(50 to 33%)
E** F	(33 to 16%)
E* F	(16 to 0%)
E F	(0%)

If a non-genuine imaging cartridge is used, “?” is displayed instead of the remaining indicator.

Total Pages

Displays the total number of pages printed by the printer.

Color Pages

Displays the total number of pages printed in color by the printer.

B/W Pages

Displays the total number of pages printed in black-white by the printer.

Tray Menu

This menu allows you to specify the size and type of paper loaded in the MP tray. Accessing this menu also lets you check the size of the paper currently loaded in the lower paper cassettes.

The paper type settings in this menu can also be made from your printer driver. Settings you make in your printer driver override these settings, so use your printer driver whenever you can.

Item	Settings (default in bold)
MP Tray Size	A4 ^{*1} , A5, B5, LT ^{*1} , HLT, LGL, GLT, GLG, EXE, DL, C5, IB5
Cassette 1 Size/Cassette 2 Size ^{*2}	A4, A5, B5, LT, LGL, GLG, EXE
MP Type	Plain , SemiThk, Preprinted, Letterhead, Recycled, Color, Trnsprncy, Labels
Cassette 1 Type/Cassette 2 Type ^{*2}	Plain , SemiThk, Preprinted, Letterhead, Recycled, Color

^{*1} Default setting varies according to the country of purchase.

^{*2} Available only when the optional paper cassette unit is installed.

MP Tray Size

Select your paper size from this menu.

Cassette 1 Size/Cassette 2 Size

Displays the paper size loaded in the standard and optional paper cassettes.

MP Type

Lets you set the paper type loaded in the MP tray.

Cassette 1 Type/Cassette 2 Type

Lets you select the paper type loaded in the standard and optional lower cassettes.

Emulation Menu

Use this menu to select the printer emulation mode. You can specify different emulations for each interface; in other words, for each computer you connect the printer to. Since each emulation mode has its own specific options, make settings in the ESCP2, FX, or I239X menu, as necessary. The settings you can choose from are the same for every interface.

Item	Settings (default in bold)
USB	Auto , ESCP2, FX, I239X, PS3, PCL
Network	Auto , ESCP2, FX, I239X, PS3, PCL

Printing Menu

This menu allows you to make standard print settings, such as Page Size and Orientation, when printing from an application or operating system that does not support your printer driver. Be sure to use the printer driver to make these settings whenever you can, since settings made on your computer always override these settings.

Item	Settings (default in bold)
Page Size	A4 ^{*1} , A5, B5, LT ^{*1} , HLT, LGL, GLT, GLG, EXE, DL, C5, IB5, CTM ^{*2}
Wide A4 ^{*3}	Off , On
Orientation	Port , Land
Resolution	300, 600 , 1200
RItech	On , Off
Toner Save	Off , On
Image Optimum ^{*4}	Auto , Off, On
Top Offset	-99.0 ... 0.0 ... 99.0 mm in 0.5 increments
LeftOffset	-99.0 ... 0.0 ... 99.0 mm in 0.5 increments
T Offset B	-99.0 ... 0.0 ... 99.0 mm in 0.5 increments
L Offset B	-99.0 ... 0.0 ... 99.0 mm in 0.5 increments

*1 Default setting varies according to the country of purchase.

*2 Custom-size paper is 76.2 × 98.4 mm at the minimum and 220 × 355.6 mm at the maximum, but EPSON recommends printing on paper that is not wider than 215.9 mm.

*3 Not available in PS3 mode.

*4 Not available in PS3 and PCL mode.

Page Size

Specifies the paper size.

Wide A4

Selecting **On** decreases the left and right margins from 4 mm to 3.4 mm.

Orientation

Specifies whether the page is printed in portrait or landscape orientation.

Resolution

Specifies the printing resolution.

RItech

Turning RItech on produces smoother and crisper lines, text, and graphics.

Toner Save

When this setting is selected, the printer saves toner by substituting a gray shade for the black inside of characters. The characters are outlined in full black on the right and lower edges.

Image Optimum

When this mode is on, the quality of graphics is reduced. It reduces the amount of graphics data when the data reaches the memory limit, allowing complex documents to be printed.

Top Offset

Makes fine adjustments to the vertical printing position of the page.

**Caution:**

Make sure that the printed image does not extend beyond the edge of the paper. Otherwise, you may damage the printer.

Left Offset

Makes fine adjustments to the horizontal printing position of the page. This is useful for fine adjustments.

**Caution:**

Make sure that the printed image does not extend beyond the edge of the paper. Otherwise, you may damage the printer.

T Offset B

Adjusts the vertical printing position on the back of the paper when printing on both sides. Use this if the printout on the back is not where you expected.

L Offset B

Adjusts the horizontal printing position on the back of the paper when printing on both sides. Use this if the printout on the back is not where you expected.

Setup Menu

This menu allows you to make various basic configuration settings related to paper sources, feeding modes, and error handling. You can also use this menu to select the LCD panel display language.

Item	Settings (default in bold)
Language	English , Français, Deutsch, Italiano, ESPAÑOL, SVENSKA, Dansk, Nederlands, SUOMI, Português, Norsk, CATALÀ, РУССКИЙ, 中文, 繁體中文, 한국어
Time to Sleep	5, 15, 30 , 60, 120 Min
Time Out	0, 5 to 60 to 300 in increments of 1
Paper Source	Auto , MP, Cassette 1, Cassette 2 ^{*1}
MP Mode	Normal , Last
Manual Feed	Off , 1st Page, EachPage
Copies	1 to 999
Duplex ^{*2 *3}	Off , On
Binding ^{*2 *3}	Long Edge , Short Edge
Start Page ^{*2 *3}	Front , Back
Paper Type	Normal , SemiThk, Thick, ExtraThk, Transparency, Coated
Page Side	Front , Back
Skip Blank Page ^{*4}	Off , On
Auto Eject Page ^{*4}	Off , On
Size Ignore	Off , On
Auto Cont	Off , On
Page Protect ^{*4}	Auto , On
Convert to B/W ^{*5}	On , Off
LCD Contrast	0 to 7 to 15
RAM Disk ^{*6}	Off , Normal, Maximum

^{*1} Available only when the optional paper cassette unit is installed.

^{*2} Available only for the models with Duplex Unit.

^{*3} Available only when you use A4, A5, B5, LT, LGL, EXE, or GLG size paper.

^{*4} Available only for ESC/Page, ESC/P2, FX, or I239X mode.

^{*5} After this setting is changed, the printer will automatically reboot and the new setting takes effect.

^{*6} After this item is changed, the setting value takes effect after a warm boot or after the power is turned on again.

Language

Specifies the language displayed on the LCD panel and that printed on the status sheet.

Time to Sleep

Specifies the length of time until the printer enters the sleep mode if there are no button operations.

Time Out

Specifies the length of the time, in seconds, before a time out when interfaces are being switched automatically. The time before a time out occurs is the length of time from the point when no data is being received from an interface until the point of switching the interface. If the printer has a print job when switching the interface, the printer prints the print job.

Paper Source

Specifies whether paper feeds into the printer from the MP tray, the standard paper cassette unit, or the optional paper cassette unit.

If you select **Auto**, paper feeds from the paper source containing paper that matches your Paper Size setting.

If an envelope size (DL, C5, IB5) is selected as the Page Size setting, paper always feeds from the MP tray. If you select **Thick**, **ExtraThk**, or **Transparency** as the Paper Type setting, paper always feeds from the MP tray.

MP Mode

This setting determines whether the MP tray has the highest or lowest priority when **Auto** is selected as the Paper Source setting in the printer driver. When **Normal** is selected as the MP Mode, the MP tray has the highest priority as the paper source. If you select **Last**, the MP tray has the lowest priority.

Manual Feed

Allows you to select the manual feed mode for the MP tray.

Copies

Designates the number of copies to be printed, from 1 through 999.

Duplex

Turns duplex printing on or off. This allows you to print on both sides of a page.

Binding

Specifies the binding direction of the printout.

Start Page

Specifies whether printing starts from the front or back of the page.

Paper Type

Specifies the type of paper to be used for printing. The printer adjusts the printing speed according to this setting. The printing speed is reduced when `Coated`, `Extra Thk`, or `Transparency` is selected.

Page Side

Select `Front` when printing on the front of plain paper (**Plain**), semi-thick paper (**Semi-Thick**), or thick paper (**Thick**).

Select `Back` when printing on the back of plain paper (**Plain (Back)**), semi-thick paper (**Semi-Thick (Back)**), or thick paper (**Thick (Back)**).

Skip Blank Page

Enables you to skip blank pages when printing. This setting is available when you print in the `ESC/Page`, `ESCP2`, `FX`, or `I239X` mode.

Auto Eject Page

Specifies whether or not to eject paper when the limit specified in the `Time Out` setting is reached. The default is `Off`, which means paper is not ejected when the time-out limit is reached.

Size Ignore

If you want to ignore a paper size error, select `On`. When you turn this item on, the printer keeps printing even if the image size exceeds the printable area for the specified paper size. This may cause smudges because of the toner that is not transferred onto the paper properly. When this item is turned off, the printer stops printing if a paper size error occurs.

Auto Cont

When you turn this setting on, the printer automatically continues printing after a certain period of time when one of the following errors occurs: `Paper Set`, `Print Overrun`, or `Mem Overflow`. When this option is off, you must press the **Start/Stop** button to resume printing.

Page Protect

Allocates additional printer memory for printing data, as opposed to receiving it. You may need to turn this setting on if you are printing a very complex page. If a `Print Overrun` error message appears on the LCD panel during printing, turn this setting on and reprint your data. This reduces the amount of memory reserved for processing data so your computer may take longer to send the print job, but it will allow you to print complex jobs. Page Protect usually works best when `Auto` is selected. You will need to increase your printer's memory if memory errors continue to occur.

Note:

Changing the Page Protect setting reconfigures the printer's memory, which causes any downloaded fonts to be deleted.

Convert to B/W

If this item is set to **On** and any color imaging cartridges are at the end of their service lives when the printer receives a job, you can print the color data in the black and white mode by pressing the **Start/Stop** button.

LCD Contrast

Adjusts the contrast of the LCD panel. Use the **▲ Up** and **▼ Down** buttons to set the contrast between 0 (lowest contrast) and 15 (highest contrast.)

RAM Disk

Specifies the RAM disk size that is available for the reserve job function. If you select **Maximum**, all of the additional RAM disk capacity can be used for storage. If you select **Normal**, 50 percent of the additional RAM disk capacity can be used for storage. If you select **Maximum** or **Normal** but the optional RAM disk is not installed, 16 MB of the RAM disk capacity is used for storage. If you select **Off**, RAM disk cannot be used to reserve jobs.

Color Regist Menu

This menu allows you to make color registration settings.

Item	Settings (default in bold)
AdjustColorRegist	-

AdjustColorRegist

Automatically adjusts the registration position of each color relative to black.

Reset Menu

This menu allows you to cancel printing and reset the printer settings.

Clear Warning

Clears warning messages that show errors except for these that occur from consumable products or mandatory-replacement parts.

Clear All Warnings

Clears all warning messages that appear on the LCD panel.

Reset

Stops printing and clears the current job received from the active interface. You may want to reset the printer when there is a problem with the print job itself and the printer cannot print successfully.

Reset All

Stops printing, clears the printer memory, and restores the printer settings to their default values. The print jobs received from all interfaces are erased.

Note:

Performing Reset All clears print jobs received from all interfaces. Be careful not to interrupt someone else's job.

SelecType Init

Restores the control panel menu settings to their default values.

Quick Print Job Menu

This menu allows you to print or delete print jobs that were stored in the printer's memory using the Quick Print Job feature (Re-Print Job and Verify Job) of the printer driver's Reserve Job function. For instructions on using this menu, see "Using the Quick Print Job Menu" on page 182.

Confidential Job Menu

This menu allows you to print or delete print jobs stored in the printer's memory using the Confidential Job feature of the printer driver's Reserve Job function. You need to enter the correct password to access this data. For instructions on using this menu, see "Using the Confidential Job Menu" on page 183.

USB Menu

These settings control communication between the printer and the computer when using the USB interface.

Item	Settings (default in bold)
USB I/F ^{*1}	On , Off
USB Speed ^{*1*2}	HS , FS
Get IP Address ^{*2*3}	Panel, Auto, PING
IP ^{*3*4*5}	0.0.0.0 to 255.255.255.255
SM ^{*3}	0.0.0.0 to 255.255.255.255
GW ^{*3}	0.0.0.0 to 255.255.255.255
NetWare ^{*3}	On, Off
AppleTalk ^{*3}	On, Off
MS Network ^{*3}	On, Off
Bonjour ^{*3}	On, Off
USB Ext I/F Init ^{*2*3}	-
Buffer Size ^{*1*2}	Normal , Maximum, Minimum

^{*1} After this item is changed, the setting value takes effect after a warm boot or after the power is turned on again. While it is reflected in the Status Sheet and EJM read-back, the actual change takes effect after a warm boot or after the power is turned on again.

^{*2} Available only when USB I/F is set to On.

^{*3} Available only when a USB external device with D4 support is connected. The contents of the settings depend on the USB external device settings.

^{*4} If the Get IPAddress setting is set to Auto, this setting cannot be changed.

^{*5} When the Get IPAddress setting is changed from Panel or PING to Auto, the panel setting values are saved. Then Auto is changed back to Panel or PING, the saved setting values are displayed. The value is set to 192.168.192.168 if the settings are not made from the panel.

USB I/F

Allows you to activate or deactivate the USB interface.

USB Speed

Allows you to select the operation mode of USB interface. Selecting HS is recommended. Select FS if HS does not work on your computer system.

Buffer Size

Determines the amount of memory to be used for receiving data and printing data. If **Maximum** is selected, more memory is allocated for receiving data. If set to **Minimum** is selected, more memory is allocated for printing data.

Note:

- To activate Buffer Size settings, you must turn off the printer for more than five seconds then turn it back on. Or, you can perform a Reset All operation, as explained in "Reset Menu" on page 157.*
- Resetting the printer erases all print jobs. Make sure the **Ready** light is not flashing when you reset the printer.*

Network Menu

See the *Network Guide* for each setting.

PCL Menu

These settings are available in the PCL mode.

Item	Settings (default in bold)
FontSource	Resident , Download* ¹ , ROM A
Font Number	0 ... 65535 (depending on your settings)
Pitch* ²	0.44 ... 10.00 ... 99.99 cpi in 0.01 cpi increment
Height* ²	4.00 ... 12.00 ... 999.75 pt in 0.25 pt increment
SymSet	IBM-US , Roman-8, Roman-9, ECM94-1, 8859-2 ISO, 8859-9 ISO, 8859-10ISO, 8859-15ISO, PcBit775, IBM-DN, PcMultiling, PcE.Europe, PcTk437, PcEur858, Pc1004, WiAnsi, WIE.Europe, WiTurkish, WiBALT, DeskTop, PsText, VelInternati, VeUS, MsPublishin, Math-8, PsMath, VeMath, PiFont, Legal, UK, ANSI ASCII, Swedis2, Italian, Spanish, German, Norweg1, French2, Windows, McText, Hebrew7, 8859-8 ISO, Hebrew8, Arabic8, OCR A, OCR B, Pc866Cyr, Pc866Ukr, WinCyr, ISOCyr, Pc8Grk, Pc851Grk, WinGrk, ISOGrk, Greek8, Pc862Heb, Pc864Ara, HPWARA
Form	5 ... 60/64 * ³ ... 128 lines
CR Function	CR , CR+LF
LF Function	LF , CR+LF
Tray Assign	4K , 5S, 4

*¹ Available only when downloaded fonts are available.

*² Depending on the font that has been selected.

*³ Depending on whether Letter (60) or A4 (64) paper has been selected.

FontSource

Sets the default font source.

Font Number

Sets the default font number for the default font source. The available number depends on the settings you made.

Pitch

Specifies the default font pitch if the font is scalable and of fixed-pitch. You can select from 0.44 to 99.99 cpi (characters per inch), in 0.01-cpi increments. This item may not appear depending on the Font Source or Font Number settings.

Height

Specifies the default font height if the font is scalable and proportional. You can select from 4.00 to 999.75 points, in 0.25-point increments. This item may not appear depending on the Font Source or Font Number settings.

SymSet

Selects the default symbol set. If the font you selected in Font Source and Font Number is not available in the new SymSet setting, the Font Source and the Font Number settings are automatically replaced with the default value, IBM-US.

Form

Selects the number of lines for the selected paper size and orientation. This also causes a line spacing (VMI) change, and the new VMI value is stored in the printer. This means that later changes in the Page Size or Orientation settings cause changes in the Form value, based on the stored VMI.

CR Function, LF Function

These functions are included for users of particular operating systems, such as UNIX.

Tray Assign

Changes the assignment for the paper source select command. When 4 is selected, the commands are set as compatible with the HP LaserJet 4. When 4K is selected, the commands are set as compatible with the HP LaserJet 4000, 5000, and 8000. When 5S is selected, the commands are set as compatible with the HP LaserJet 5S.

PS3 Menu

This menu allows you to make settings which affect the printer when it is in the PS3 mode.

Item	Settings (default in bold)
Error Sheet	Off , On
Coloration	Color , Mono
Image Protect	Off , On
Binary*	Off , On
Text Detection	Off , On
PDF Page Size	Auto , A4, A5, B5, LT, HLT, LGL, GLT, GLG, EXE, DL, C5, IB5

* Available only when connected via Network interface.

Error Sheet

When you select **On**, the printer prints out an error sheet when an error occurs in the PS3 mode or when the PDF file you tried to print is not a supported version.

Coloration

Allows you to select the color printing or black-and-white printing mode.

Image Protect

The printer employs lossy compression when **Off** is selected. The printer does not employ lossy compression when **On** is selected. Lossy compression refers to a data compression technique in which some amount of data is lost.

Binary

Specifies the data format. Select **On** for the Binary data and select **Off** for the ASCII data. When you select **On**, PDF formatted files which are transferred via network interface can be printed directly.

Note:

- Binary can only be used with network connection.*
- You do not have to select **On** when using AppleTalk.*

To use the Binary data, make sure your application supports Binary data and that **SEND CTRL-D Before Each Job** and **SEND CTRL-D After Each Job** are set to **No**.

When this setting is set to **On**, you cannot use TBCP (Tagged binary communication protocol) in the printer driver settings.

Text Detection

When you select **On**, the text file is converted to a PostScript file when printing. This setting is available only when you select **PS3** in the Emulation Menu.

PDF Page Size

Specifies the paper size when you send the PDF file directory from a computer or some other device. If **Auto** is selected, the paper size is determined based on the size of the first page that is printed.

ESCP2 Menu

This menu allows you to make settings which affect the printer when it is in the ESC/P 2 emulation mode.

Item	Settings (default in bold)
Font	Courier , Prestige, Roman, Sans serif, Roman T, Orator S, Sans H, Script, OCR A, OCR B
Pitch	10 , 12, 15 cpi, Prop.
Condensed	Off , On
T. Margin	0.40 ... 0.50 ... 1.50 inches in 0.05-inch increments
Text	1 ... 62/66 * ... 81 lines
CGTable	PcUSA , Italic, PcMultilin, PcPortugue, PcCanFrenc, PcNordic, PcTurkish2, Pclcelandic, PcE.Europe, BpBRASCII, BpAbicom, Roman-8, PcEur858, ISO Latin1, 8859-15ISO, PcSI437, PcTurkish1, 8859-9 ISO, Mazowia, CodeMJK, PcGk437, PcGk851, PcGk869, 8859-7 ISO, PcCy855, PcCy866, PcUkr866, Pclit771, Bulgarian, Hebrew7, Hebrew8, PcHe862, PcAr864, PcAr864Ara, PcAr720, Pclit774, Estonia, ISO Latin2, PcLat866
Country	USA , France, Germany, UK, Denmark, Sweden, Italy, Spain1, Japan, Norway, Denmark2, Spain2, LatinAmeric, Korea, Legal
Auto CR	On , Off
Auto LF	Off , On
Bit Image	Dark , Light, BarCode
ZeroChar	0 , (or the zero character with a slash)

* Depending on whether Letter (62) or A4 (66) paper has been selected.

Font

Selects the font.

Pitch

Selects the pitch (the horizontal spacing) of the font in fixed pitch, measured in cpi (characters per inch). You can also choose proportional spacing.

Condensed

Turns condensed printing on or off.

T. Margin

Sets the distance from the top of the page to the baseline of the first printable line. The distance is measured in inches. The smaller the value, the closer the printable line is to the top.

Text

Sets the page length in lines. For this option, a line is assumed to be 1 pica (1/6 inch). If you change the Orientation, Page Size, or T. Margin settings, the page length setting automatically returns to the default for each paper size.

CG Table

Use the character generator (CG) table option to select the graphics character table or the italics table. The graphics table contains graphic characters for printing lines, corners, shaded areas, international characters, Greek characters, and mathematical symbols. If you select *Italic*, the upper half of the character table is defined as italic characters.

Country

Use this option to select one of the fifteen international symbol sets. See the *Font Guide* for samples of the characters in each country's symbol set.

Auto CR

Specifies whether the printer performs a carriage-return/line-feed (CR-LF) operation whenever the printing position goes beyond the right margin. If you select *Off*, the printer does not print any characters beyond the right margin and does not perform any line wrapping until it receives a carriage-return character. This function is handled automatically by most applications.

Auto LF

If you select `Off`, the printer does not send an automatic line-feed (LF) command with each carriage-return (CR). If `On` is selected, a line-feed command is sent with each carriage-return. Select `On` if your text lines overlap.

Bit Image

The printer is able to emulate the graphics densities set with the printer commands. If you select `Dark`, the bit image density is high, and if you select `Light`, the bit image density is low.

If you select `BarCode`, the printer converts bit images to bar codes by automatically filling in any vertical gaps between dots. This produces unbroken vertical lines that can be read by a bar code reader. This mode will reduce the size of the image being printed, and may also cause some distortion when printing bit image graphics.

ZeroChar

Specifies whether the printer prints a slashed or unslashed zero.

FX Menu

This menu allows you to make settings which affect the printer when it is in the FX emulation mode.

Item	Settings (default in bold)
Font	Courier , Prestige, Roman, Sans serif, Script, Orator S, OCR A, OCR B
Pitch	10 , 12, 15 cpi, Prop.
Condensed	Off , On
T. Margin	0.40 ... 0.50 ... 1.50 inches in 0.05-inch increments
Text	1 ... 62/66 * ... 81 lines
CGTable	PcUSA , Italic, PcMultilin, PcPortugue, PcCanFrenc, PcNordic, PcTurkish2, Pclcelandic, PcE.Europe, BpBRASCIi, BpAbicomp, Roman-8, PcEur858, ISO Latin1, 8859-15ISO
Country	USA , France, Germany, UK, Denmark, Sweden, Italy, Spain1, Japan, Norway, Denmark2, Spain2, LatinAmeric
Auto CR	On , Off
Auto LF	Off , On
Bit Image	Dark , Light, BarCode
ZeroChar	0 , (or the zero character with a slash)

* Depending on whether Letter (62) or A4 (66) paper has been selected.

Font

Selects the font.

Pitch

Selects the pitch (the horizontal spacing) of the font in fixed pitch, measured in cpi (characters per inch). You can also choose proportional spacing.

Condensed

Turns condensed printing on or off.

T. Margin

Sets the distance from the top of the page to the baseline of the first printable line. The distance is measured in inches. The smaller the value, the closer the printable line is to the top.

Text

Sets the page length in lines. For this option, a line is assumed to be 1 pica (1/6 inch). If you change the Orientation, Page Size, or T. Margin settings, the page length setting automatically returns to the default for each paper size.

CG Table

Use the character generator (CG) table option to select the graphics character table or the italics table. The graphics table contains graphic characters for printing lines, corners, shaded areas, international characters, Greek characters, and mathematical symbols. If you select *Italic*, the upper half of the character table is defined as italic characters.

Country

Use this option to select one of the thirteen international symbol sets. See the *Font Guide* for samples of the characters in each country's symbol set.

Auto CR

Specifies whether the printer performs a carriage-return/line-feed (CR-LF) operation whenever the printing position goes beyond the right margin. If you select *Off*, the printer does not print any characters beyond the right margin and does not perform any line wrapping until it receives a carriage-return character. This function is handled automatically by most applications.

Auto LF

If you select *Off*, the printer does not send an automatic line-feed (LF) command with each carriage-return (CR). If *On* is selected, a line-feed command is sent with each carriage-return. Select *On* if your text lines overlap.

Bit Image

The printer is able to emulate the graphics densities set with the printer commands. If you select *Dark*, the bit image density is high, and if you select *Light*, the bit image density is low.

If you select *BarCode*, the printer converts bit images to bar codes by automatically filling in any vertical gaps between dots. This produces unbroken vertical lines that can be read by a bar code reader. This mode will reduce the size of the image being printed, and may also cause some distortion when printing bit image graphics.

ZeroChar

Selects whether the printer prints a slashed or unslashed zero.

I239X Menu

The I239X mode emulates IBM[®] 2390/2391 Plus commands.

These settings are available only when the printer is in the I239X mode.

Item	Settings (default in bold)
Font	Courier , Prestige, Gothic, Orator, Script, Presentor, Sans serif
Pitch	10 , 12, 15, 17, 20, 24 cpi, Prop.
Code Page	437 , 850, 858, 860, 863, 865
T. Margin	0.30 ... 0.40 ... 1.50 inches in 0.05-inch increments
Text	1 ... 63/67 ^{*1} ... 81 lines
Auto CR	Off , On
Auto LF	Off , On
Alt. Graphics	Off , On
Bit Image	Dark , Light
ZeroChar	0 , (or the zero character with a slash)
CharacterSet	1 ^{*2} , 2 ^{*2}

*1 Depends on whether Letter (63) or A4 (67) paper has been selected.

*2 Depends on whether Letter (1) or A4 (2) paper has been selected.

Font

Selects the font.

Pitch

Selects the pitch (the horizontal spacing) of the font in fixed pitch, measured in cpi (characters per inch). You can also choose proportional spacing.

Code Page

Selects the character tables. Character tables contain the characters and symbols used by different languages. The printer prints text based on the selected character table.

T. Margin

Sets the distance from the top of the page to the baseline of the first printable line. The distance is measured in inches. The smaller the value, the closer the printable line is to the top.

Text

Sets the page length in lines. For this option, a line is assumed to be 1 pica (1/6 inch). If you change the Orientation, Page Size, or T. Margin settings, the page length setting automatically returns to the default for each paper size.

Auto CR

Specifies whether the printer performs a carriage-return/line-feed (CR-LF) operation whenever the printing position goes beyond the right margin. If this setting is off, the printer does not print any characters beyond the right margin and does not perform any line wrapping until it receives a carriage-return character. This function is handled automatically by most applications.

Auto LF

If you select *Off*, the printer does not send an automatic line-feed (LF) command with each carriage-return (CR). If *On* is selected, a line-feed command is sent with each carriage-return. Select *On* if your text lines overlap.

Alt.Graphics

Turns the Alternate Graphics option on or off.

Bit Image

The printer is able to emulate the graphics densities set with the printer commands. If you select *Dark*, the bit image density is high, and if you select *Light*, the bit image density is low.

If you select *BarCode*, the printer converts bit images to bar codes by automatically filling in any vertical gaps between dots. This produces unbroken vertical lines that can be read by a bar code reader. This mode will reduce the size of the image being printed, and may also cause some distortion when printing bit image graphics.

ZeroChar

Selects whether the printer prints a slashed or unslashed zero.

CharacterSet

Selects character table 1 or 2.

Password Config Menu

This menu allows you to restrict operation of the printer.

Item	Settings (default in bold)
Password Config*	-
Limitation	Disable , Interface, Config, All

* The default password is **Null**. You can enter up to 20 characters for the password.

Password Config

Changes the password. Enter the old password first and then enter the new password twice.

To enter the password, press the **▼ Down** or **▲ Up** button to select the character and press the **↵ Enter** button to determine the character. After all characters are determined, select **↵** and press the **↵ Enter** button.

Limitation

Changes the restriction range. When **Interface** is selected, the password is required to change the settings in the USB and Network menus. When **Config** is selected, the password is required to enter **Quick Print Job** or **Confidential Job**, or to change the settings in all menus. When **All** is selected, the password is required to enter **Quick Print Job** or **Confidential Job**, or to change the settings and to perform the items in all menus. Before changing the setting, you have to enter the password set in the **Password Config** setting.


Status and Error Messages

This section contains a list of error messages shown on the LCD panel, a brief description of each message and suggestions for correcting the problem. Note that not every message shown on the LCD panel indicates a problem. When the **◆** mark is displayed at the right of the warning message, multiple warnings occur. To confirm all warnings that occur, press the **▼ Down** button to display the Status Menu, then press the **↵ Enter** button. The LCD panel also displays the remaining service lives of the imaging cartridges and available paper sizes.


Calibrating Printer

The printer automatically calibrates itself. This is not an error message, and will clear itself after the calibration process has finished. While the printer displays this message, do not open the covers or turn off the printer.

Cancel All Print Job

The printer is canceling all print jobs in the printer memory, including jobs the printer is currently receiving or printing. This message appears when the  **Cancel Job** button has been pressed down for more than 2 seconds.

Cancel Print Job

The printer is canceling the current print job. This message appears when the  **Cancel Job** button has been pressed and released within 2 seconds.

Cancel Print Job (by host)

The print job is canceled at the printer driver.



Can't Print

The print data is deleted because it is incorrect.

Make sure the appropriate paper size and printer driver are used.

While printing in the black and white mode when one or more of the imaging cartridges has reached the end of its service life, check if **Black** is selected in the printer driver. Since PS and PDF files cannot be printed in the black and white mode, replace any color imaging cartridge that has reached the end of its service life.

Can't Print Duplex

The printer has encountered problems during duplex printing. Make sure you are using an appropriate type and size of paper for the duplex printing. The problem could also be a result of incorrect settings for the paper source you are using. Pressing the  **Start/Stop** button will print the rest of the print job on only one side of the paper. Press the  **Cancel Job** button to cancel the print job.

Cassette 2 Error yyy

The optional paper cassette is not installed properly. Turn off the printer, remove the optional cassette, and re-install it. For more information on installing the optional paper cassette, see "Installing the optional paper cassette unit" on page 187.

Check Transparency

You have loaded media other than transparencies when the Paper Type setting in the printer driver is **Transparency**, or transparencies are loaded when the Paper Setting in the printer driver is not set to **Transparency**. Completely blank pages are output.

To clear the error, see “Transparencies are output blank from the MP tray” on page 240.

Check Paper Size

The paper size setting is different from the size of paper loaded in the printer. Check to see if the correct size of paper is loaded in the specified paper source.

To clear this error, select **Clear Warnings** from the control panel's **Reset Menu**. See “How to access the control panel menus” on page 146 for instructions.

Check Paper Type

The paper loaded in the printer does not match the paper type setting in the printer driver. Paper that matches only the paper size setting will be used for printing.

To clear this error, select **Clear Warnings** from the control panel's **Reset Menu**. See “How to access the control panel menus” on page 146 for instructions.

Close Front Cover

The front cover has been open for more than 5 minutes. To clear the error, close the front cover.

Collate Disabled

Printing by specifying the number of copies is no longer possible due to a lack of memory (RAM). If this error occurs, print only one copy at a time.

To clear this error, select **Clear Warnings** from the control panel's **Reset Menu**. See “How to access the control panel menus” on page 146 for instructions.

Cooling Down zz min

The printer is cooling down. The time until the printer is ready to print is displayed.

Data will be printed in Black and White

Color data is printed in black and white because one or more color imaging cartridges has reached the end of its service life.

To clear this error, select **Clear Warnings** from the control panel's **Reset Menu**. See “How to access the control panel menus” on page 146 for instructions.

DM Error yyy

The Duplex Unit has become separated from the printer.

Duplex Mem Overflow

There is not enough memory for duplex printing. The printer prints only on the front and ejects the paper. To clear this error, follow the instructions below.

If **Off** is selected as the **Auto Cont** setting on the control panel's **Setup Menu**, press the **Start/Stop** button to print on the back of the next sheet, or press the **Cancel Job** button to cancel the print job.

If **On** is selected as the **Auto Cont** setting on the control panel's **Setup Menu**, printing continues automatically after a certain period of time.

Form Feed

The printer is ejecting paper due to a user request. This message appears when pressing the **Start/Stop** button once to make the printer offline, then holding down the **Start/Stop** button for more than 2 seconds in order not to receive form feed command.

Format Error ROM A

An unformatted ROM module has been inserted.

To clear this error, either press the **Start/Stop** button or turn off the printer and remove the ROM module, then reinstall the ROM module. If that fails to clear the error, contact your dealer.

Image Optimum

There is insufficient memory to print the page at the specified print quality. The printer automatically lowers the print quality so that it can continue printing. If the quality of the printout is not acceptable, try simplifying the page by limiting the number of graphics or reducing the number and size of fonts.

To clear this error, select **Clear Warning** from the control panel's **Reset Menu**. See "How to access the control panel menus" on page 146 for instructions.

Turn the **Image Optimum** setting off on the control panel's **Printing Menu** if you do not want the printer to automatically lower the print quality to continue printing.

You may need to increase the amount of printer memory to be able to print at the desired print quality for your document. For more information on adding memory, see "Memory Module" on page 196.

Install Cassette 1

The paper tray of the standard paper cassette is not installed, or not installed properly. Install the paper cassette correctly to clear this error.

Install Fuser

There is no fuser unit installed or the fuser unit is not installed properly. Turn off the printer, then install the fuser unit if it is not installed.

If a fuser unit is already installed, turn the printer off and wait until it has cooled off (30 minutes). Then open the front cover. Remove the fuser unit, reinstall it properly, and then close the front cover. The error clears automatically if the fuser unit is properly installed.

If the error is not cleared, the fuser unit is out of order. Replace it with a new fuser unit.

Install Transfer Unit

There is no transfer unit installed or the transfer unit is not installed properly. Install the transfer unit if it is not installed.

If a transfer unit is already installed, turn off the printer, open the front cover, then remove the transfer unit. Reinstall the unit properly, then close the front cover. The error clears automatically if the transfer unit is properly installed.

Install uuuu TnrCart

The wrong imaging cartridge is installed in the indicated color imaging cartridge position in the printer or the position is empty. (The letters C, M, Y, or K appear in place of uuuu and indicate the colors Cyan, Magenta, Yellow, and Black respectively.)

Install the indicated cartridges. See "Imaging Cartridge" on page 202.

Invalid N/W Module

There is no network program, or the network program cannot be used with your printer. Contact a qualified service representative.

Invalid PCL

There are errors in the ROM module. Turn off the printer and contact your dealer.

Invalid PS3

There are errors in the ROM module. Turn off the printer and contact your dealer.

Invalid ROM A

The printer cannot read the installed optional ROM module. Turn off the printer, then remove the ROM module.

Manual Duplex

One side for the manual duplex printing is finished. To start printing on the other side, set the paper and press the **Start/Stop** button. See “Printing with the Duplex Unit (models with Duplex Unit only)” on page 55 for windows, or “Printing with the Duplex Unit (models with Duplex Unit only)” on page 118 for Macintosh.

Manual Feed ssss

The manual feed mode is specified for the current print job. Make sure the paper size indicated by ssss is loaded, then press the **Start/Stop** button.

Mem Overflow

The printer has insufficient memory to execute the current task. Press the **Start/Stop** button on the control panel to resume printing, or press the **Cancel Job** button to cancel the print job.

Menus Locked

This message appears if you try to change the printer's settings through the control panel when the buttons are locked. You can unlock them by the **Password Config** menu or by using the Network utility. Refer to “Password Config Menu” on page 171 or the *Network Guide* for information.

Need Memory

The printer has insufficient memory to complete the current print job.

To clear this error message, select **Clear Warnings** from the control panel's **Reset Menu**. See “How to access the control panel menus” on page 146 for instructions.

To prevent this problem from recurring, add more memory to your printer as described in “Memory modules” on page 269, or reduce the resolution of the image to be printed.

NonGenuine Toner Cartridge

The installed imaging cartridge is not a genuine Epson product. Installing a genuine imaging cartridge is recommended. The printout and remaining service life of each imaging cartridge displayed on the control panel may be different from those when using genuine EPSON imaging cartridges. Epson shall not be liable for any damages or problems arising from the use of consumable products not manufactured or approved by Epson.

Install a genuine Epson product, or **Clear All Warnings** of the **Reset Menu** on the control panel to clear the warning message. See “Imaging Cartridge” on page 202 for instructions on replacing the imaging cartridge.

NonGenuine Toner uuuu

The installed imaging cartridge is not a genuine Epson imaging cartridge. The printout and remaining service lives of the imaging cartridges displayed on the control panel may be different from those when using genuine EPSON imaging cartridges. Epson shall not be liable for any damages or problems arising from the use of consumable products not manufactured or approved by Epson. Installing a genuine imaging cartridge is recommended. Press the **Start/Stop** button on the control panel to resume printing.

Offline

The printer is not ready to print. Press the **Start/Stop** button.

Optional RAM Error

The optional memory module may be corrupted or incorrect. Replace it with a new one.

Paper Jam WWWW

The location where the paper jam occurred is displayed at **WWWWW**. **WWWWW** indicates the location of the error.

If a paper jam occurs at two or more locations simultaneously, the corresponding multiple locations are displayed.

Location	Description
Paper Jam MP C1 A	Paper is jammed at the MP tray or standard paper cassette. For instructions on clearing this type of paper jam, see "Paper Jam MP C1 A" on page 225.
Paper Jam C1 A	Paper is jammed at the standard paper cassette or front cover. For instructions on clearing this type of paper jam, see "Paper Jam C1 A" on page 227.
Paper Jam C2 C1 A	Paper is jammed at the optional paper cassette or standard paper cassette. For instructions on clearing this type of paper jam, see "Paper Jam C2 C1 A" on page 229.
Paper Jam A B	Paper is jammed at the front cover or fuser unit. For instructions on clearing this type of paper jam, see "Paper Jam A B" on page 231.
Paper Jam A D	Paper is jammed at the front cover or transfer unit. For instructions on clearing this type of paper jam, see "Paper Jam A D" on page 234.

Paper Out tttt sssss

There is no paper in the specified paper source (**tttt**). Load paper of the size (**sssss**) into the paper source.

Paper Set tttt sssss

The paper loaded in the specified paper source (tttt) does not match the required paper size (sssss). Replace the loaded paper with the correct size paper and press the **Start/Stop** button to resume printing, or press the **Cancel Job** button to cancel the print job.

If you press the **Start/Stop** button without replacing the paper, the printer will print on the loaded paper even though it does not match the required size.

Printer Open

The front cover is open. To clear this error, close the front cover.

Print Overrun

The required time to process the print data exceeded the print engine speed because the current page is too complex. Press the **Start/Stop** button to resume printing, or press the **Cancel Job** button to cancel the print job. If this message appears again, select **On** as the **Page Protect** setting in the control panel's **Setup Menu** or select **Avoid Page Error** on the printer driver.

If you continue to receive this message when printing a particular page, try simplifying the page by limiting the number of graphics or reducing the number and size of fonts.

To avoid this error, it is recommended that you set the **Page Protect** setting to **On** and add more memory to the printer. See "Setup Menu" on page 153 and "Memory Module" on page 196 for details.

RAM CHECK

The printer is checking the RAM.

Ready

The printer is ready to receive data and print.

Replace Fuser

The fuser has reached the end of its service life and needs to be replaced.

Turn the printer off and wait for 30 minutes, then replace the fuser unit with a new one. See "Fuser Unit" on page 207 for instructions.

Replace Toner uuuu

The indicated imaging cartridges have reached the end of its service life and need to be replaced. (The letters C, M, Y, or K appear in place of uuuu and indicate the colors Cyan, Magenta, Yellow, and Black respectively.)

When the error light turns on, you cannot continue printing. Replace the imaging cartridge with a new one. See “Imaging Cartridge” on page 202 for instructions.

When the error light is blinking, you can continue printing in the black and white mode by pressing the **Start/Stop** button, or you can cancel the print job by pressing the **Cancel Job** button.

Replace Transfer Unit

The transfer unit has reached the end of its service life and needs to be replaced.

When the error light turns on, you cannot continue printing. Turn off the printer, then replace the transfer unit with a new one. See “Transfer Unit” on page 213 for instructions. The error clears automatically after you replace the unit and close all printer covers.

Reserve Job Canceled

The printer cannot store the data of your print job using the Reserve Job function. The maximum number of print jobs stored on the printer's memory has been reached, or the memory has no more memory available to store a new job. To store a new print job, delete a previously stored job. Also, if you have any Confidential Jobs stored, printing those jobs will make more memory available.

You may also increase the available memory space by changing the **RAM Disk** setting to **Normal** or **Maximum**. For details, see “Setup Menu” on page 153.

To clear this error, select **Clear Warnings** from the control panel's **Reset Menu**. For instruction about accessing the control panel menus, see “How to access the control panel menus” on page 146.

Reset

The printer's current interface has been reset and the buffer has been cleared. However, other interfaces are still active and retain their settings and data.

Reset All

All printer settings have been reset to the default configuration, or to the last settings that were saved.

Reset to Save

A control panel menu setting was changed while the printer was printing. Press the **O Start/Stop** button to clear this message. The setting will become effective after printing has finished.

Alternatively you can clear this message by performing **Reset** or **Reset All** on the control panel. However, the print data will be deleted.

ROM CHECK

The printer is checking the ROM.

Self Test

The printer is currently performing a self test and initialization.

Service Req Cffff/Service Req Exxx

A controller error or a print engine error has been detected. Turn off the printer. Wait at least 5 seconds, then turn it back on. If the error message still appears, write down the error number listed on the LCD panel (Cffff/Exxx), turn off the printer, unplug the power cord, then contact a qualified service representative.

Sleep

The printer is currently in the power-save mode. This mode is canceled when the printer receives print data. This mode is also canceled by selecting **Reset** or **Reset All** from the control panel's Rest Menu. See "Using the Control Panel Menus" on page 146 for instructions.

TonerCart Error uuuu

A read/write error has occurred for the indicated imaging cartridges. (The letters C, M, Y, or K appear in place of uuuu and indicate the colors Cyan, Magenta, Yellow, and Black respectively.) Remove the imaging cartridges and reinsert them. If that fails to clear the error, replace the imaging cartridges.

To install the indicated cartridges. See "Imaging Cartridge" on page 202.

Unable Clear Error

The printer cannot clear an error message because the error status still remains. Try solving the problem again.

uuuu Toner Low

This message indicates that the imaging cartridge for the indicated color is near the end of its service life. Prepare a new imaging cartridge. This message appears only if genuine EPSON imaging cartridges are used.

Warming Up

The printer is warming up the fuser to be ready to print.

Worn Fuser

This message indicates that the fuser unit is near the end of its service life. You can continue to print until the `Replace Fuser` message appears. Prepare a new fuser unit.

To clear this warning message and continue printing, select `Clear All Warnings` from the control panel's `Reset Menu`. For instruction about accessing the control panel menus, see "How to access the control panel menus" on page 146.

Worn Transfer Unit

This message warns you that the transfer unit is near the end of its service life. You can continue to print until the `Replace TransferUnit` message appears. Prepare a new transfer unit.

To clear this warning message and continue printing, select `Clear All Warnings` from the control panel's `Reset Menu`. For instruction about accessing the control panel menus, see "How to access the control panel menus" on page 146.

Write Error ROM A/Write Error ROM P

This message indicates an internal error in the printer. Reset the printer. If this error persists, consult your dealer.

Writing ROM A/Writing ROM P

This message indicates that a ROM module in the slot is being written. Please wait until this message disappears.

Wrong Toner uuuu

An inappropriate imaging cartridge is installed. Install only the imaging cartridge listed in "Consumable products" on page 26.

See "Imaging Cartridge" on page 202 for instructions on replacing the imaging cartridge. (The letters C, M, Y, or K appear in place of uuuu and indicate the colors Cyan, Magenta, Yellow, and Black respectively.)

Printing and Deleting Reserve Job Data






Print jobs stored on the printer's memory using the Re-Print Job and Verify Job options of the Reserve Job function can be printed and deleted using the control panel's Quick Print Job Menu. Jobs saved using the Confidential Job option can be printed from the Confidential Job Menu. Follow the instructions in this section.

Note:


You need to keep sufficient RAM disk capacity in order to use the Reserve Job function. To enable RAM disk, you have to set the RAM Disk setting on the control panel to Normal or Maximum. We recommend installing an optional memory to use this function. For instructions about increasing your printer's memory, see "Installing a memory module" on page 196.

Using the Quick Print Job Menu

Follow the steps below to print or delete Re-Print Job and Verify Job data.

1. Make sure the LCD panel displays **Ready** or **Sleep**, then press the  **Enter** button to access the control panel menus.
2. Press the **▼ Down** button repeatedly until **Quick Print Job Menu** appears on the LCD panel, then press the  **Enter** button.
3. Use the **▼ Down** or **▲ Up** button to scroll to the appropriate user name, then press the  **Enter** button.
4. Use the **▼ Down** or **▲ Up** button to scroll to the appropriate job name, then press the  **Enter** button.
5. To specify the number of copies you want to print, press the  **Enter** button, then use the **▼ Down** and **▲ Up** buttons to select the number of copies.

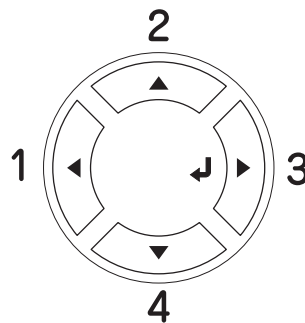
To delete the print job without printing any copies, press the **▼ Down** button to display **Delete** on the LCD panel.

6. Press the  **Enter** button to start printing or to delete the data.

Using the Confidential Job Menu

Follow the steps below to print or delete Confidential Job data.

1. Make sure the LCD panel displays `Ready` or `Sleep`, then press the **Enter** button to access the control panel menus.
2. Press the **Down** button repeatedly until `ConfidentialJobMenu` appears on the LCD panel, then press the **Enter** button.
3. Use the **Down** or **Up** button to scroll to the appropriate user name, then press the **Enter** button.
4. Enter your four-digit password by using the corresponding buttons, as shown below.



Note:

- Passwords are always four digits.
 - Passwords consist of numbers from 1 through 4.
 - If no print jobs have been saved with the password you entered, `Wrong Password` appears briefly on the LCD panel then the printer exits the control panel menus. Confirm the password and try again.
5. Use the **Down** or **Up** button to scroll to the appropriate job name, then press the **Enter** button.
 6. To specify the number of copies you want to print, press the **Enter** button, then use the **Down** and **Up** buttons to select the number of copies.

To delete the print job, press the **Down** button to display `Delete` on the LCD panel.

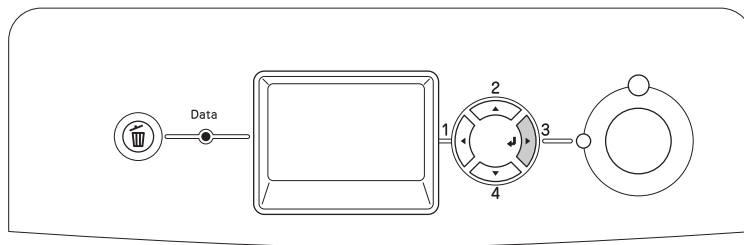
7. Press the **Enter** button to start printing or to delete the data.

Printing a Status Sheet

To confirm the current status of the printer, and that the options are installed correctly, print a status sheet using the printer's control panel.

Follow the steps below to print a status sheet.

1. Turn on the printer. The LCD panel shows *Ready* or *Sleep*.
2. Press the  **Enter** button three times. The printer prints a status sheet.



3. Confirm that the information about the installed options is correct. If the options are installed correctly, they appear under *Hardware Configuration*. If the options are not listed, try reinstalling them.


Note:

- ❑ *If the status sheet does not list your installed options correctly, make sure that they are securely connected to the printer.*
- ❑ *If you are unable to get the printer to print a correct status sheet, contact your dealer.*

Adjusting Color Registration


If you transported your printer over a long distance, you need to adjust the color registration for possible misalignment.

Follow the steps below to adjust the alignment of the color registration.

1. Make sure the LCD panel displays **Ready**, then press the  **Enter** button to access the control panel menus.

Note:

You may not be able to adjust the color registration when the printer is in the sleep mode or when any error has occurred even if you can select the item from the menu on the control panel.



2. Press the **▼ Down** button several times until the LCD panel displays **Color Resist Menu**, then press the  **Enter** button twice.

Canceling Printing

You can cancel printing from your computer by using the printer driver.

To cancel a print job before it is sent from your computer, for Windows, see “Canceling Printing” on page 90 or for Macintosh, see “Canceling Printing” on page 132.




Using the Cancel Job button

The  **Cancel Job** button on your printer is the quickest and easiest way to cancel printing. Pressing this button cancels the currently printing job. Pressing the  **Cancel Job** button for more than two seconds deletes all jobs from the printer memory, including jobs the printer is currently receiving or printing.

Using the Reset menu

Selecting `Reset` from the control panel's `Reset Menu` stops printing, clears the print job being received from the active interface, and clears errors that may have occurred at the interface.

Follow the steps below to use the `Reset Menu`.

1. Press the  **Enter** button to access the control panel menus.
2. Press the **▼ Down** button several times until `Reset Menu` appears on the LCD panel, then press the  **Enter** button.
3. Press the **▼ Down** button several times until `Reset` to display.
4. Press the  **Enter** button. Printing is canceled. The printer is ready to receive a new print job.

Chapter 9

Installing Options

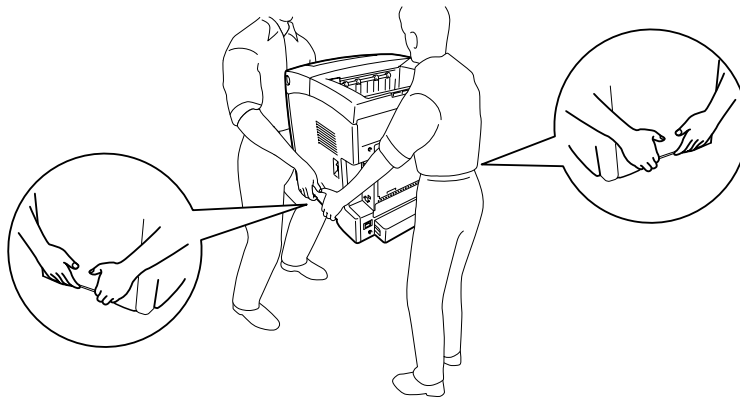
Optional Paper Cassette Unit

For details about the paper types and sizes that you can use with the optional paper cassette unit, see “Standard lower paper cassette and optional paper cassette unit” on page 38. For specifications, see “Optional paper cassette unit” on page 268.

Handling precautions

Always pay attention to the following handling precautions before installing the option:

The printer weighs about 28 kg (61.7 lb). One person should never attempt to lift or carry it alone. Two people should carry the printer, lifting it from the positions shown below.



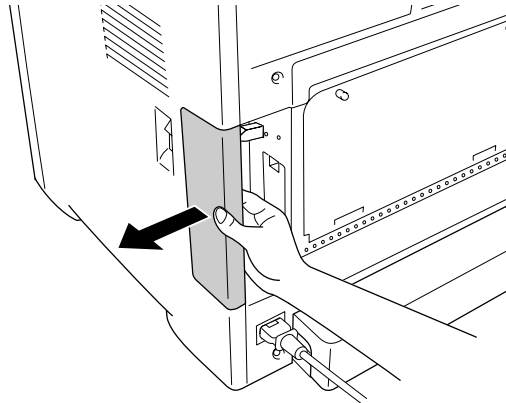
Warning:

To lift the printer safely, you must hold it in the positions shown above. If carried incorrectly, the printer may be dropped and damaged or cause an injury.

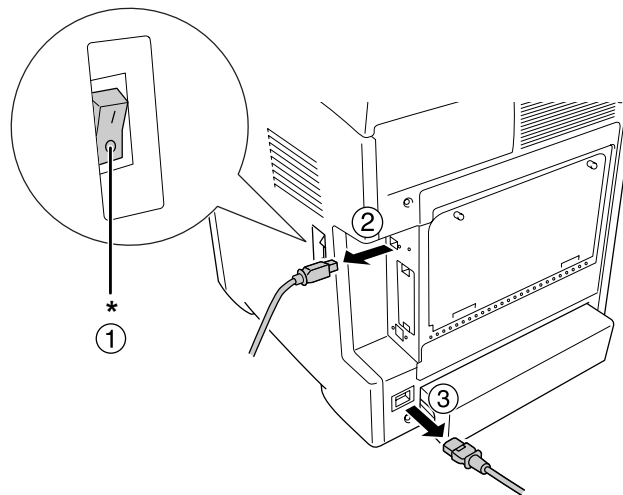
Installing the optional paper cassette unit

Follow the steps below to install the optional 550-sheet paper cassette unit.

1. Remove the interface cover on the back of the printer.



2. Turn the printer off and unplug the power cord and all the interface cables.



* OFF



Caution:

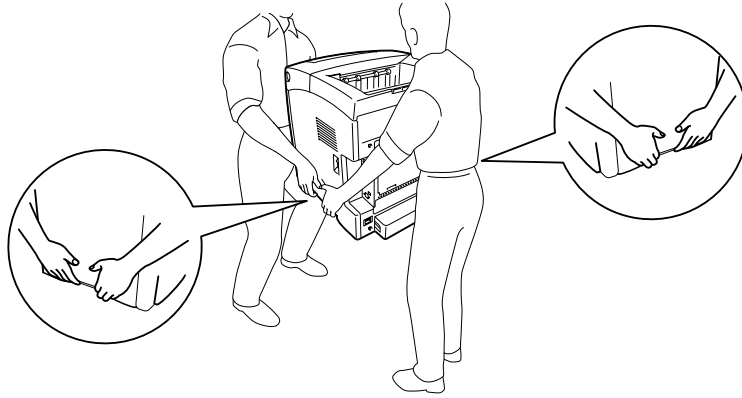
Make sure to unplug the power cord from the printer to prevent getting an electrical shock.

3. Carefully remove the optional paper cassette unit from its carton and place it where you intend to set up the printer.

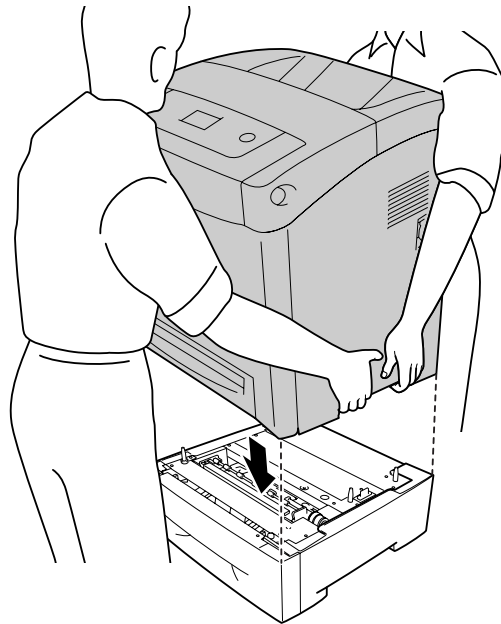
Note:

- ❑ *Make sure you have the two screws packed with the optional paper cassette unit.*

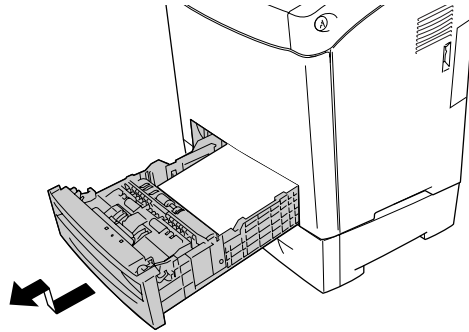
- ❑ *Remove the protective materials from the unit.*
 - ❑ *Keep all protective materials in case you want to ship the optional paper cassette unit in the future.*
4. Carefully, grasp the printer at the position indicated below and lift it carefully with two people.



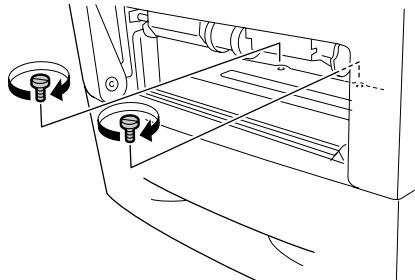
5. Align the corners of the printer and the unit, then lower the printer gently onto the unit so that the four pins on top of the unit fit into the holes on the bottom of the printer.



6. Remove the standard lower cassette from the printer.



7. Fasten the optional paper cassette unit to the printer with two of the provided screws.



8. Reinsert the standard lower cassette into the printer.
9. Reconnect all the interface cables and the power cord.
10. Reattach the interface cover.
11. Plug the printer's power cord into an electrical outlet.
12. Turn on the printer.

To confirm that the option is installed correctly, print a Status Sheet. See "Printing a Status Sheet" on page 237.

Note for Windows users:

If EPSON Status Monitor is not installed, you have to make settings manually in the printer driver. See "Making Optional Settings" on page 71.

Note for Macintosh users:

When you have attached or removed printer options, you need to delete the printer using **Print Setup Utility** (for Mac OS X 10.3 and 10.4) or **Print Center** (for Mac OS X 10.2), and then re-register the printer.

Removing the optional paper cassette unit

Perform the installation procedure in reverse.

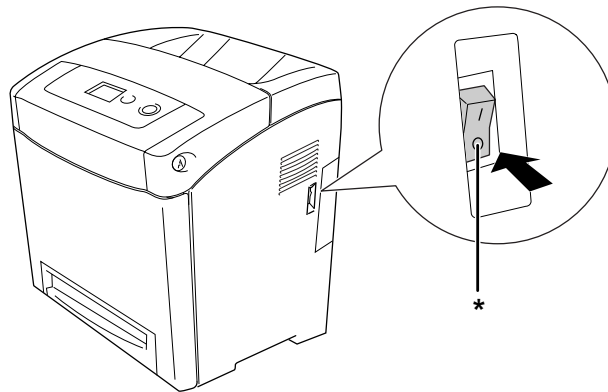
Duplex Unit

For specifications or details about the paper types and sizes that you can use with the Duplex Unit, see "Duplex Unit" on page 269.

Installing the Duplex Unit

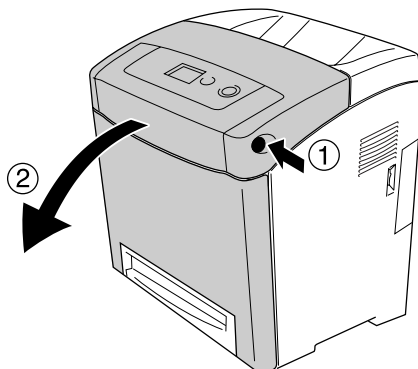
Follow the steps below to install the optional Duplex Unit.

1. Turn off the printer.

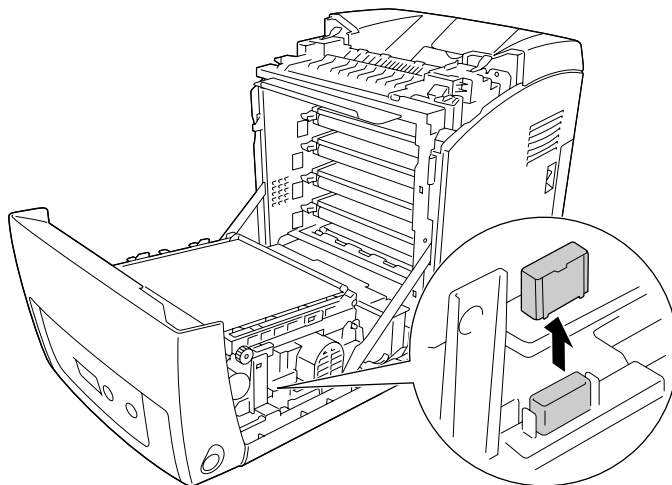


* OFF

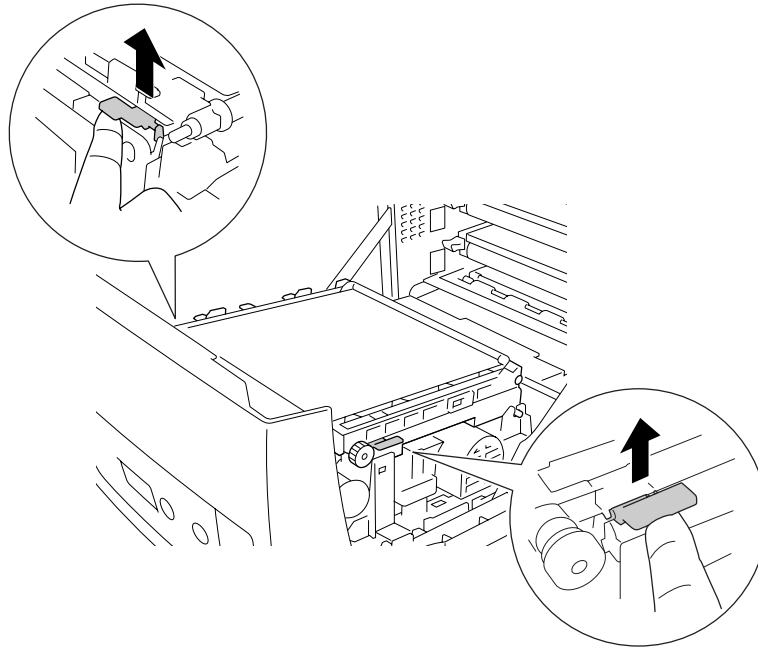
2. Press the latch on the front cover and open the cover.

**Caution:**

- ❑ Do not leave the front cover open for more than five minutes to avoid exposing the imaging cartridges to light.
 - ❑ Do not expose the imaging cartridges to sunlight at all.
3. Remove the cap from the connector.



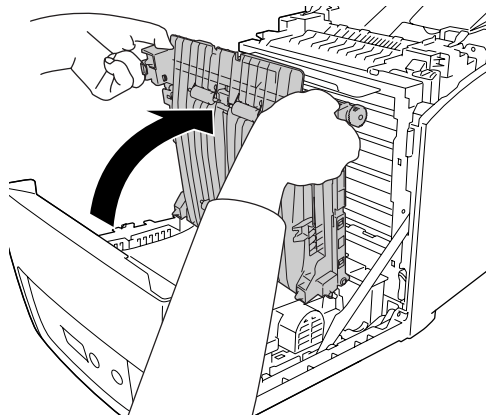
4. Pull up the blue tabs on both sides of the transfer unit.



Caution:

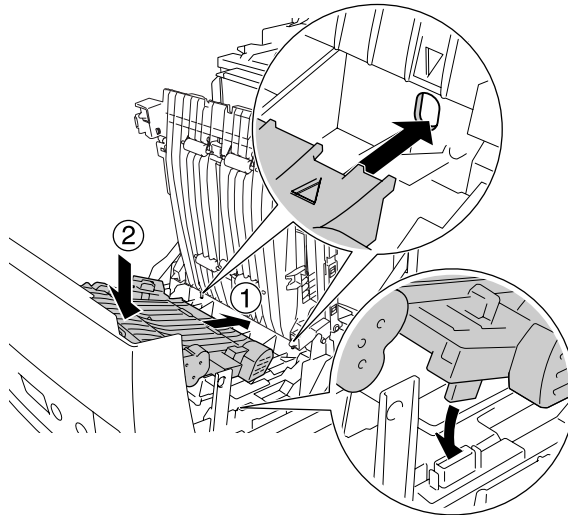
Do not touch the transfer belt on the transfer unit to avoid damaging it.

5. Raise the transfer unit.

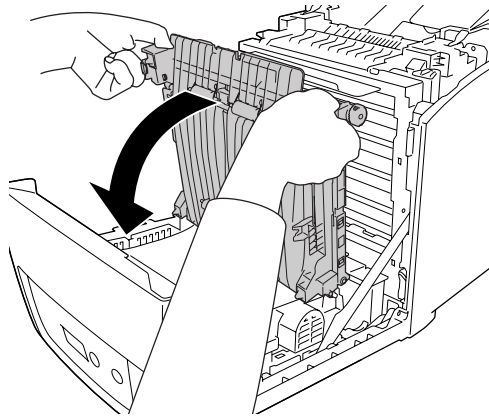


6. Take the Duplex Unit out of its package.

7. Insert the tabs on the Duplex Unit into the printer, align the arrow marks and push it down to connect the connector.



8. Pull down the transfer unit.



9. Close the front cover.
10. Turn on the printer.

To confirm that the option is installed correctly, print a Status Sheet. See "Printing a Status Sheet" on page 237.

Note:

The printer cannot recognize the Duplex Unit if its cover has not been removed. Make sure that the cover was removed as explained in step 3.

Note for Windows users:

If EPSON Status Monitor is not installed, you have to make settings manually in the printer driver. See "Making Optional Settings" on page 71.

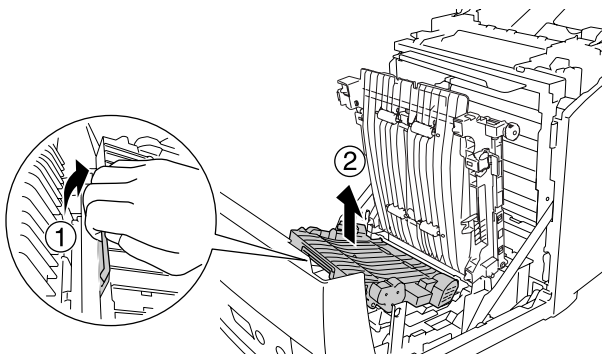
Note for Macintosh users:

When you have attached or removed printer options, you need to delete the printer using **Print Setup Utility** (for Mac OS X 10.3 and 10.4) or **Print Center** (for Mac OS X 10.2), and then re-register the printer. For Windows, see "Printing with the Duplex Unit (models with Duplex Unit only)" on page 55, For Macintosh, see "Printing with the Duplex Unit (models with Duplex Unit only)" on page 118 for information about duplex printing.

Removing the Duplex Unit

Follow the steps below to remove the optional Duplex Unit.

1. Turn off the printer.
2. Press the latch on the front cover and open the cover.
3. Pull up the blue tabs on both sides of the transfer unit.
4. Raise the transfer unit.
5. Grasp the handle to unlock the Duplex Unit and remove it from the printer.



6. Pull down the transfer unit.
7. Turn on the printer.

Memory Module

By installing a Dual In-line Memory Module (DIMM), you can increase printer memory up to 640 MB. You may want to add additional memory if you are having difficulty printing complex graphics.

Installing a memory module

Follow the steps below to install an optional memory module.

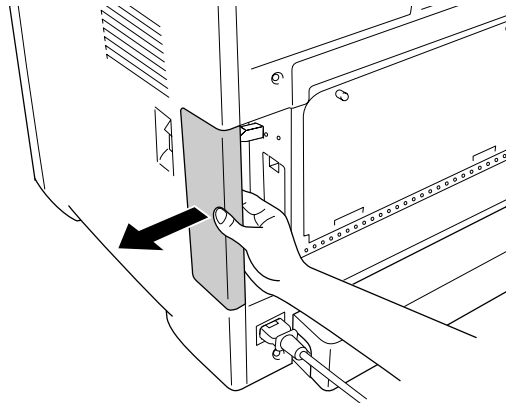
**Caution:**

Before you install a memory module, be sure to discharge any static electricity by touching a grounded piece of metal. Otherwise, you may damage static-sensitive components.

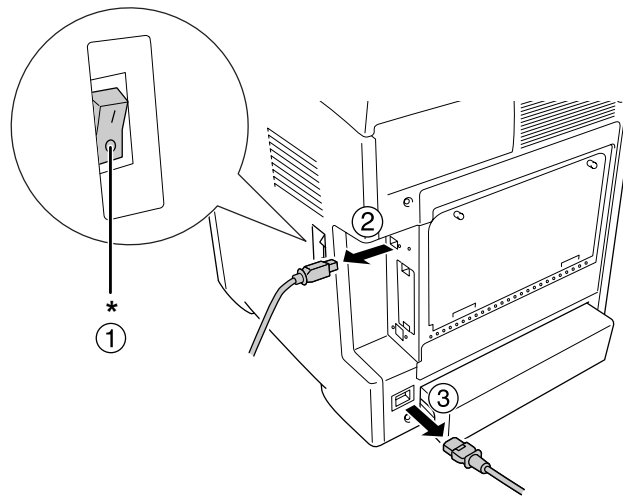
**Warning:**

Be careful when working inside the printer as some components are sharp and may cause injury.

1. Remove the interface cover on the back of the printer.



2. Turn the printer off and unplug the power cord and all the interface cables.



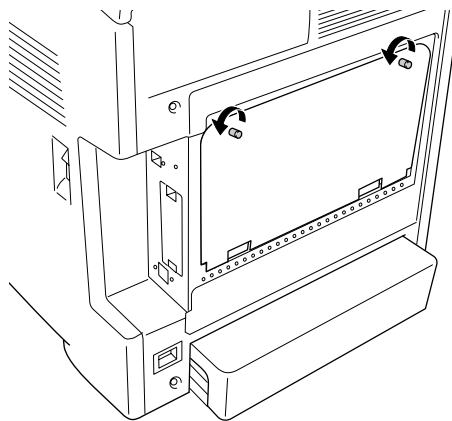
* OFF



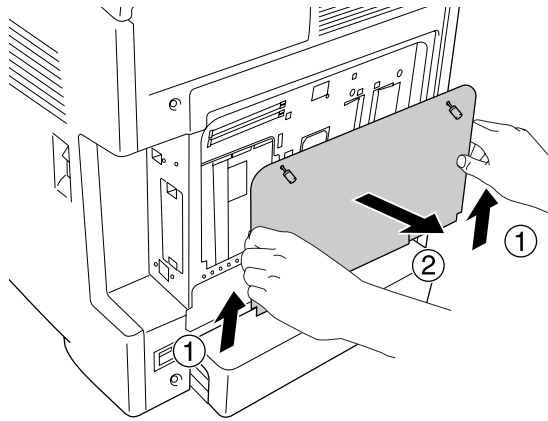
Caution:

Make sure to unplug the power cord from the printer to prevent getting an electrical shock.

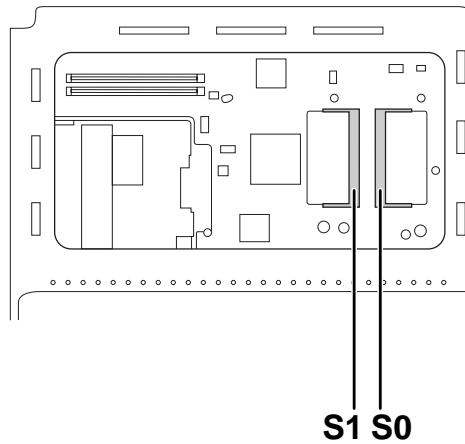
3. Loosen the two screws on the back of the printer.



4. Remove the controller option expanded aperture plate.



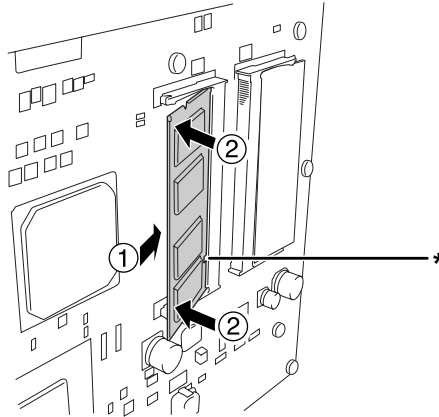
5. Identify the memory slots. These positions are shown below.



- S1. Optional memory slot
- S0. Standard memory slot

Note:
Do not remove the memory module from the S0 slot.

6. Hold the memory module and insert it into the optional memory slot in the orientation shown below until it stops. Then press both sides of the memory module down. Confirm that the notch on the memory module matches that of the memory slot.



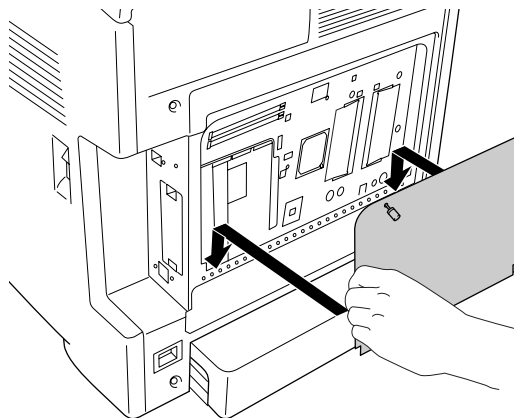
* notch



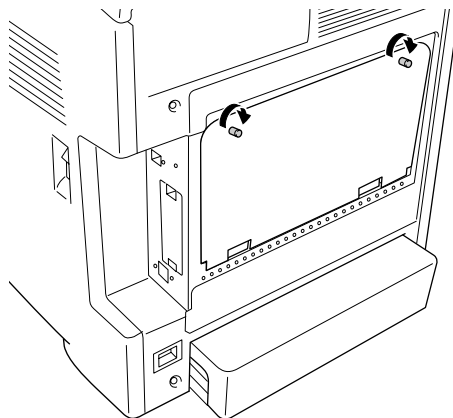
Caution:

- Do not apply too much force.
- Be sure to insert the memory facing the correct way.
- Do not remove any modules from the circuit board. Otherwise, the printer will not work.

7. Reattach the controller option expanded aperture plate.



8. Fasten the cover with the two screws.



9. Reconnect all the interface cables and the power cord.
10. Reattach the interface cover.
11. Plug the printer's power cord into an electrical outlet.
12. Turn on the printer.

To confirm that the option is installed correctly, print a Status Sheet. See "Printing a Status Sheet" on page 237.

Note for Windows users:

If EPSON Status Monitor is not installed, you have to make settings manually in the printer driver. See "Making Optional Settings" on page 71.

Note for Macintosh users:

When you have attached or removed printer options, you need to delete the printer using **Print Setup Utility** (for Mac OS X 10.3 and 10.4) or **Print Center** (for Mac OS X 10.2), and then re-register the printer.

Removing a memory module

**Caution:**

Before you remove a memory module, be sure to discharge any static electricity by touching a grounded piece of metal. Otherwise, you may damage static-sensitive components.

**Warning:**

Be careful when working inside the printer as some components are sharp and may cause injury.

Perform the installation procedure in reverse.

Chapter 10

Replacing Consumable Products

Replacement Messages

If a consumable product reaches the end of its service life, the printer stops printing and displays the following messages on the LCD panel or the window of EPSON Status Monitor. When this happens, replace the depleted consumable products.

LCD Panel Message	Description
Replace Toner uuuu*	The imaging cartridge for the indicated color has reached the end of its service life.
Replace Fuser	The fuser unit has reached the end of its service life.
Replace Transfer Unit	The transfer unit has reached the end of its service life.

* The letters C, M, Y, or K appear in this position, indicating the color of the imaging cartridge to be replaced. For example, the message *Yellow Toner Low* means that the yellow imaging cartridge is near the end of its service life.

Note:

Messages appear for one consumable product at a time. After replacing a consumable product, check the LCD panel for replacement messages for other consumable products.

Imaging Cartridge

Handling precautions

Always observe the following handling precautions when replacing the consumable products:

- Installing a genuine imaging cartridge is recommended. Using a non-genuine imaging cartridge may affect print quality. Epson shall not be liable for any damages or problems arising from the use of consumable products not manufactured or approved by Epson.
- When handling imaging cartridge, always place them on a clean smooth surface.
- If you have moved an imaging cartridge from a cool to a warm environment, wait for at least one hour before installing it to prevent damage from condensation.

- ❑ Do not expose the imaging cartridge to sunlight at all and avoid exposing it to room light for more than five minutes. Exposure to light can damage the drum, causing dark or light areas to appear on the printed page and reducing the service life of the drum.

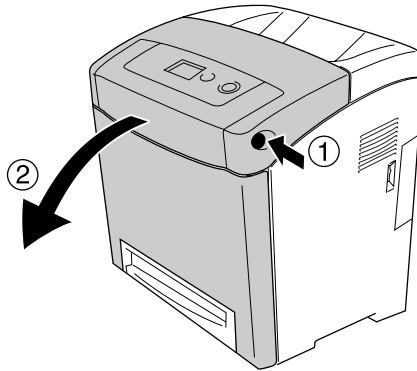
**Warning:**

- ❑ Do not touch the toner. Keep the toner away from your eyes. If toner gets on your skin or clothes, wash it off with soap and water immediately.
- ❑ Keep consumable products out of the reach of children.
- ❑ Do not dispose of used consumable products in fire, as they may explode and cause injury. Dispose of them according to local regulations.
- ❑ If toner is spilled, use a broom and dustpan or a damp cloth with soap and water to clean it up. Because the fine particles can cause a fire or explosion if they come into contact with a spark, do not use a vacuum cleaner.

Replacing an imaging cartridge

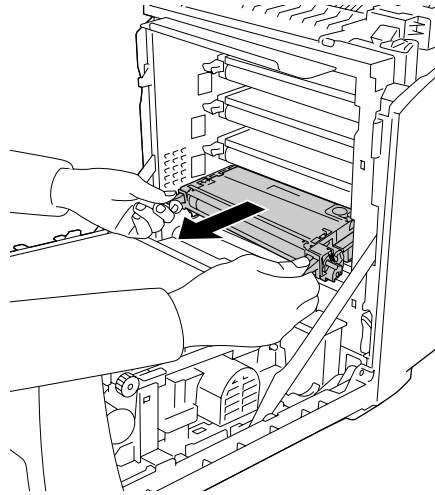
Follow the steps below to replace an imaging cartridge.

1. Confirm the color of the imaging cartridge that needs to be replaced by checking the LCD panel or EPSON Status Monitor.
2. Press the latch on the front cover and open the cover.

**Caution:**

- ❑ Do not leave the front cover open for more than five minutes to avoid exposing the imaging cartridges to light.
- ❑ Do not expose the imaging cartridges to sunlight at all.

3. Remove the used imaging cartridge from the printer.

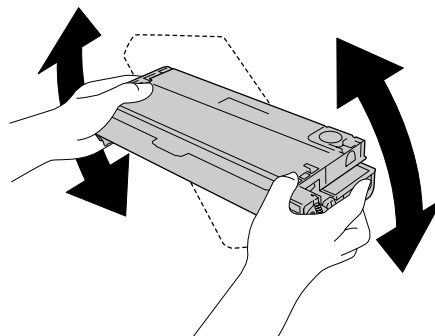
**Warning:**

Be careful not to touch the fuser, which is marked **CAUTION HIGH TEMPERATURE**, or the surrounding areas. If the printer has been in use, the fuser and the surrounding areas may be very hot. If you must touch one of these areas, wait 30 minutes to allow the heat to subside before doing so.

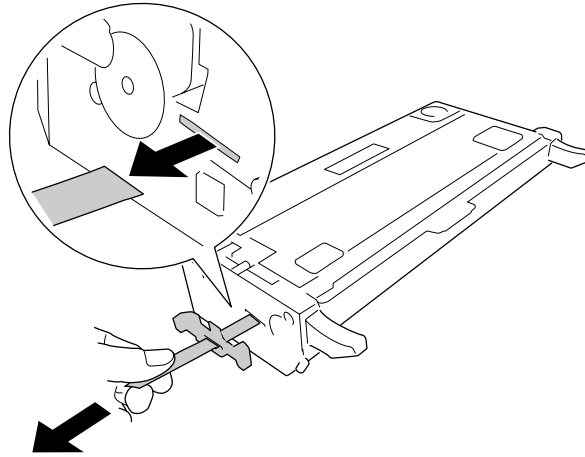
**Caution:**

Do not touch the transfer belt on the transfer unit to avoid damaging it.

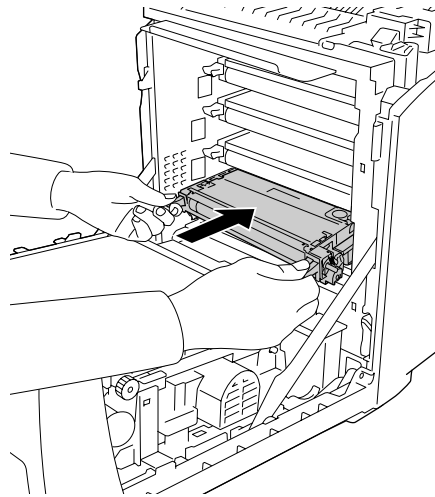
4. Take the new imaging cartridge out of its package, and gently shake it from side to side and front to back to distribute the toner evenly.



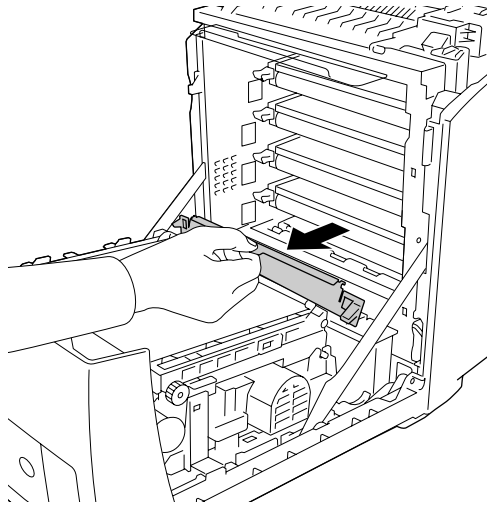
5. Remove the cartridge seal, pulling straight from the imaging cartridge. Make sure to pull the tape slowly to avoid tearing it.



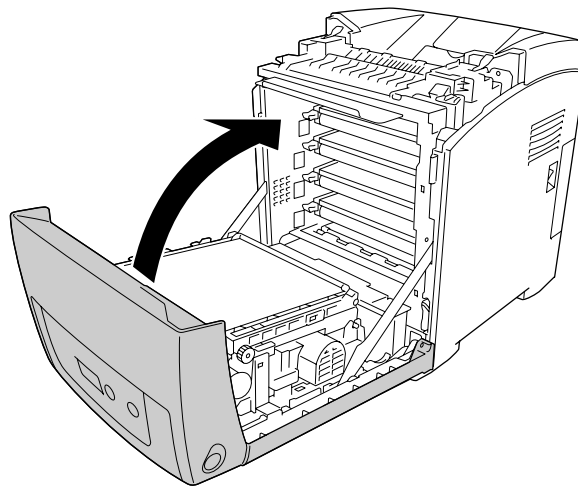
6. Insert the new imaging cartridge all the way until it stops.



7. Remove the orange plastic cover by pinching the center of the cover and pulling it.



8. Close the front cover.



Fuser Unit

Handling precautions

Always observe the following handling precautions when replacing the consumable products.

Do not touch the surface of the consumable product. Doing so may impair print quality.



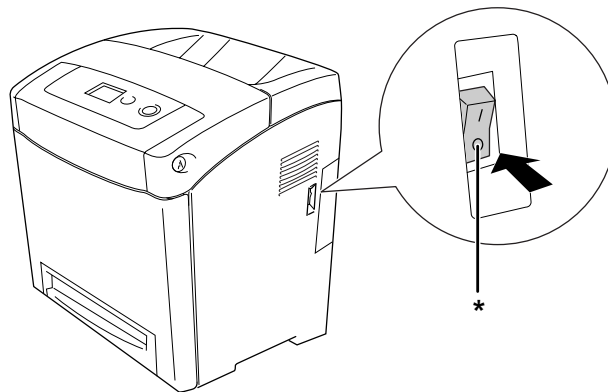
Warning:

- ❑ *The fuser unit can be very hot if the printer has been in use. Turn the printer off and wait for 30 minutes until the temperature has subsided before replacing the fuser unit.*
- ❑ *Keep the consumable products out of the reach of children.*

Replacing the fuser unit

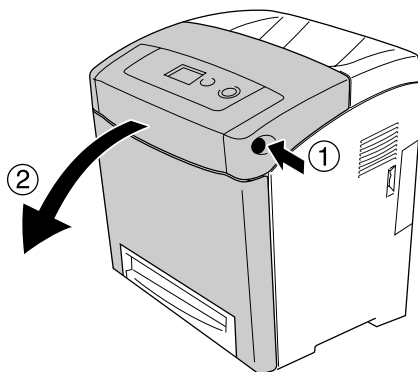
Follow the steps below to replace the fuser unit.

1. Turn off the printer, and wait with the front cover closed for 30 minutes until the temperature has subsided.

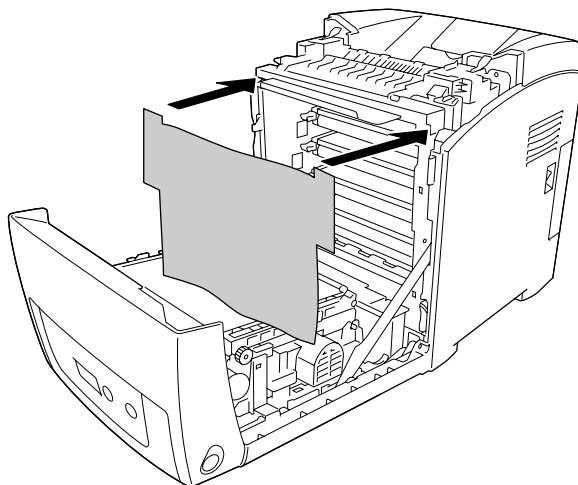


* OFF

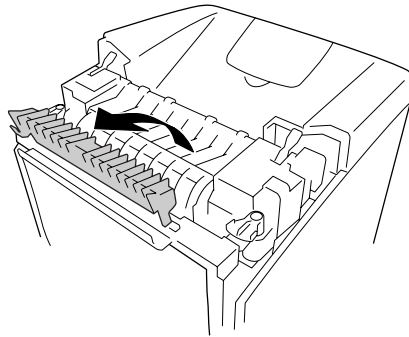
2. Press the latch on the front cover and open the cover.

**Caution:**

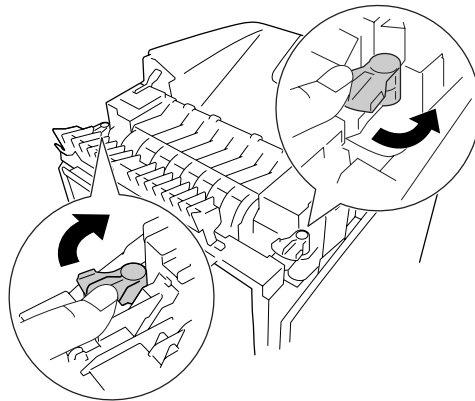
- ❑ Do not leave the front cover open for more than five minutes to avoid exposing the imaging cartridges to light.
 - ❑ Do not expose the imaging cartridges to sunlight at all.
3. Take the light shielding paper from the new fuser unit's package and attach it to the printer.



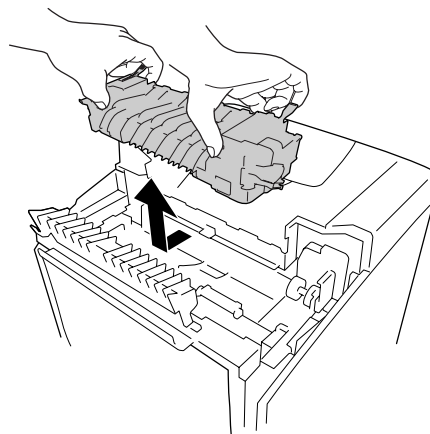
4. Open the paper guide on the top front of the printer.



5. Unlock the lock levers on both sides of the fuser unit.



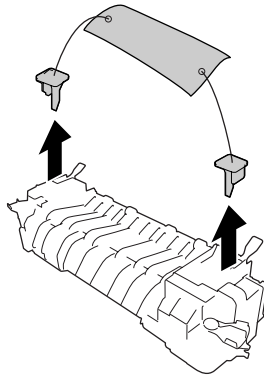
6. Pull the fuser unit towards you and then lift it out of the printer.



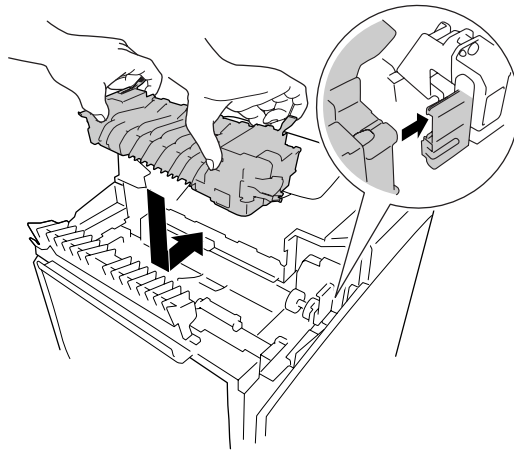
**Warning:**

Be careful not to touch the fuser, which is marked **CAUTION HIGH TEMPERATURE**, or the surrounding areas. If the printer has been in use, the fuser and the surrounding areas may be very hot. If you must touch one of these areas, wait 30 minutes to allow the heat to subside before doing so.

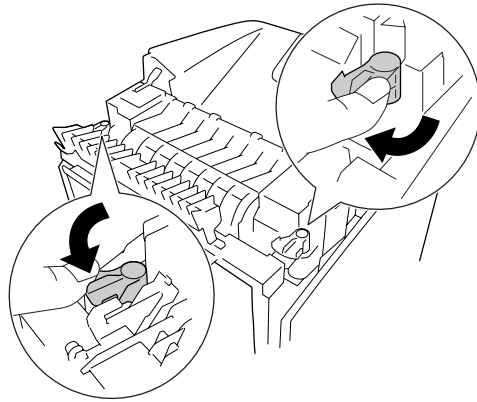
7. Take the new fuser unit out of its package and remove the protective materials.



8. Lower the new fuser into the printer making sure that the notch on the right side of the fuser unit into the post of the printer.



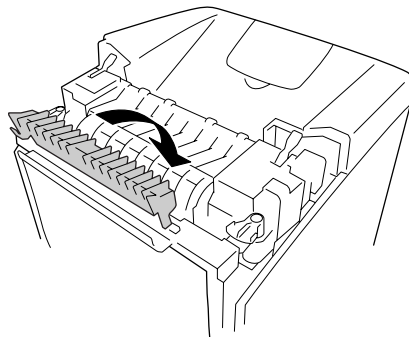
9. Lock the lock levers on both sides of the fuser unit.



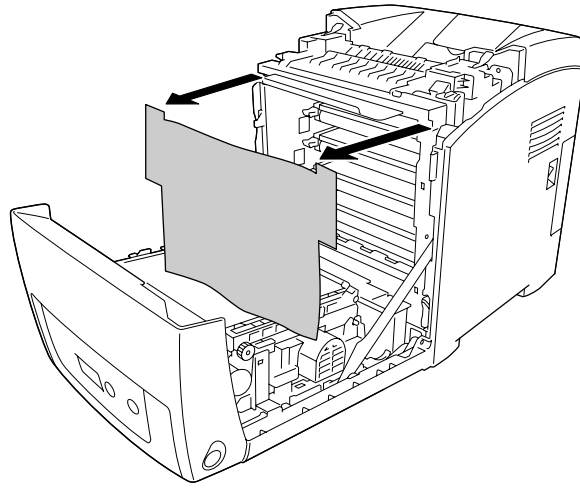
Note:

Make sure that the lock levers are completely back to the locked position.

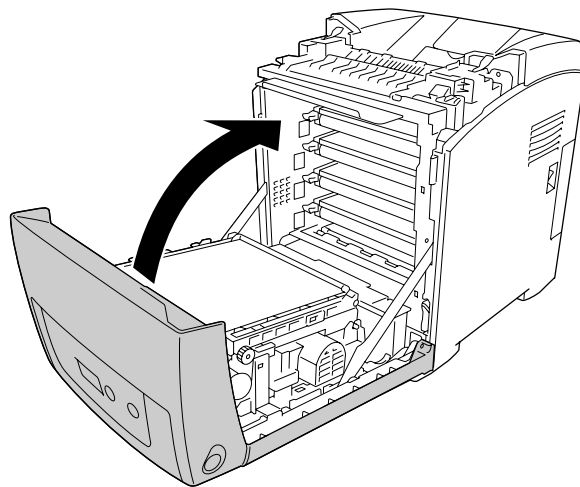
10. Close the paper guide on the top front of the printer.



11. Remove the light shielding paper from the printer.



12. Close the front cover.



Transfer Unit

Handling precautions

Always observe the following handling precautions when replacing the consumable products.

Do not touch the surface of the consumable product. Doing so may impair print quality.



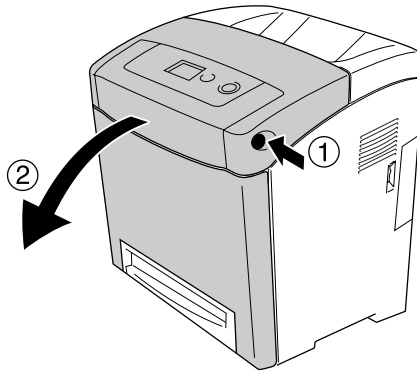
Warning:

- Do not dispose of the used consumable products in fire, as it may explode and cause injury. Dispose of it according to local regulations.
- Keep the consumable products out of the reach of children.

Replacing the transfer unit

Follow the steps below to replace the transfer unit.

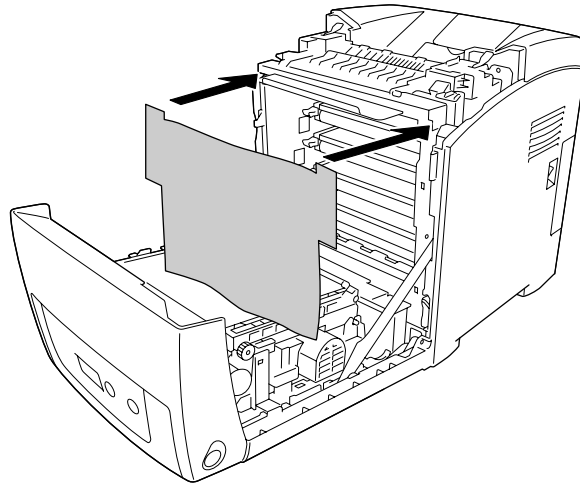
1. Press the latch on the front cover and open the cover.



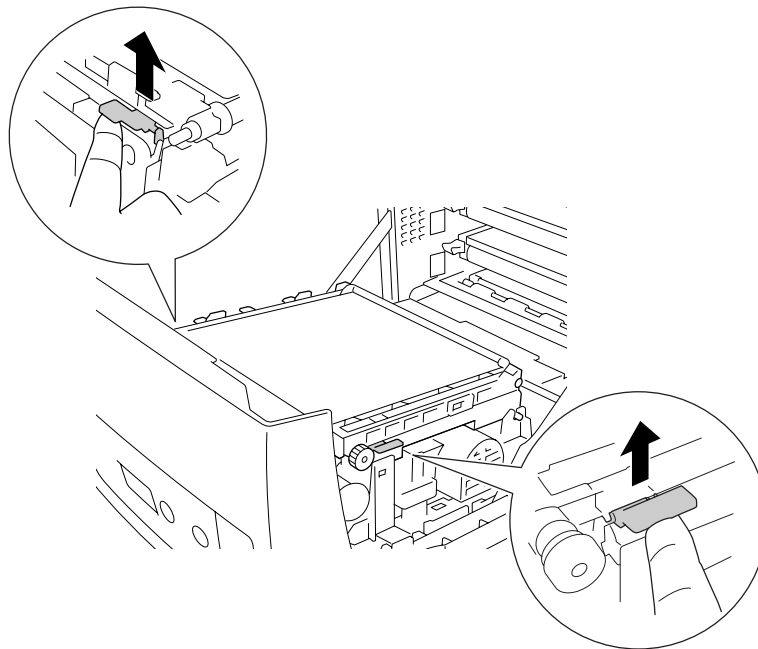
Caution:

- Do not leave the front cover open for more than five minutes to avoid exposing the imaging cartridges to light.
- Do not expose the imaging cartridges to sunlight at all.

2. Take the light shielding paper from the new transfer unit's package and attach it to the printer.



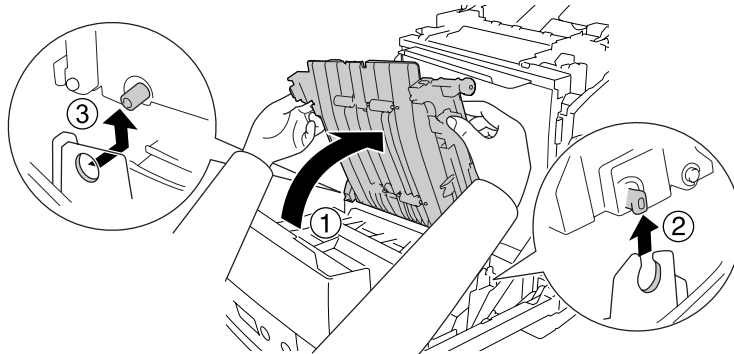
3. Pull up the blue tabs on both sides of the transfer unit.



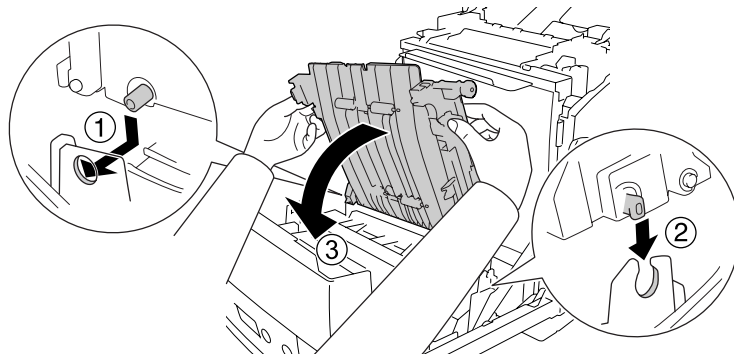
Warning:

Be careful not to touch the fuser, which is marked **CAUTION HIGH TEMPERATURE**, or the surrounding areas. If the printer has been in use, the fuser and the surrounding areas may be very hot. If you must touch one of these areas, wait 30 minutes to allow the heat to subside before doing so.

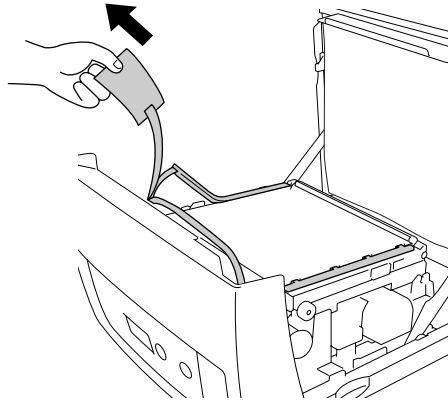
4. Raise the transfer unit and pull it up out of the printer.



5. Take the new transfer unit from its package.
6. Lower the transfer unit inside the printer making sure that the posts on the transfer unit into the guides, then pull down the transfer unit.



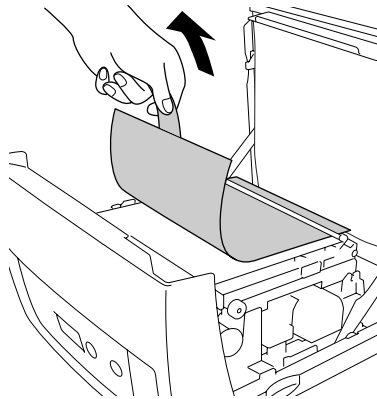
7. Remove the protective material from both sides of the transfer unit.



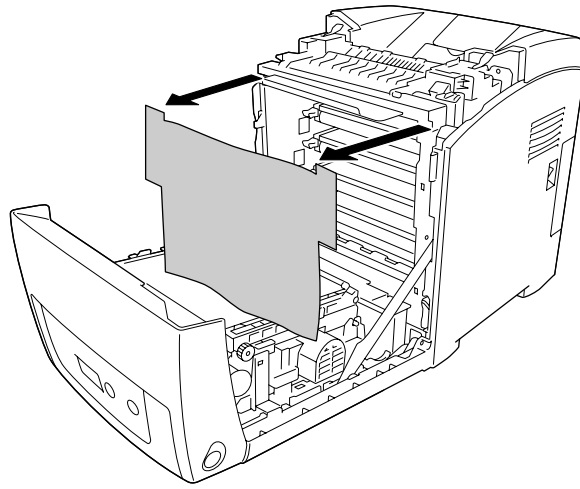
Caution:

Do not touch the transfer belt on the transfer unit to avoid damaging it.

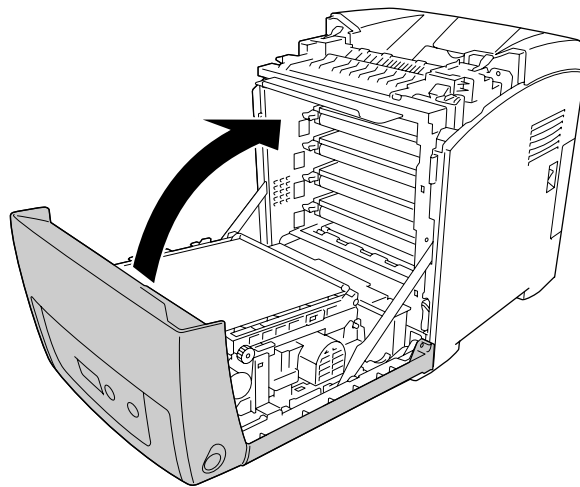
8. Remove the protective material on the transfer unit.



9. Remove the light shielding paper from the printer.



10. Close the front cover.

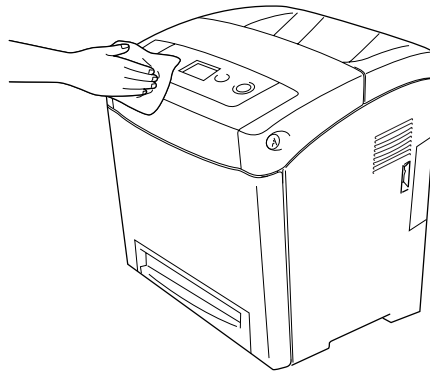


Chapter 11

Cleaning and Transporting the Printer

Cleaning the Printer

The printer needs only minimal cleaning. If the printer's outer case is dirty or dusty, turn off the printer and clean it with a soft, clean cloth moistened with a mild detergent.

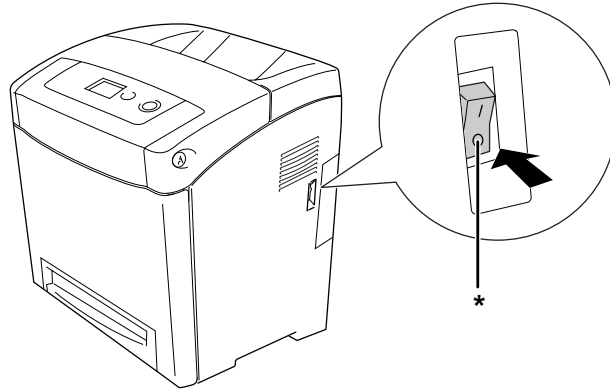


Caution:

Never use alcohol or paint thinner to clean the printer cover. These chemicals can damage the components and the case. Be careful not to get water onto the printer mechanism or any electrical components.

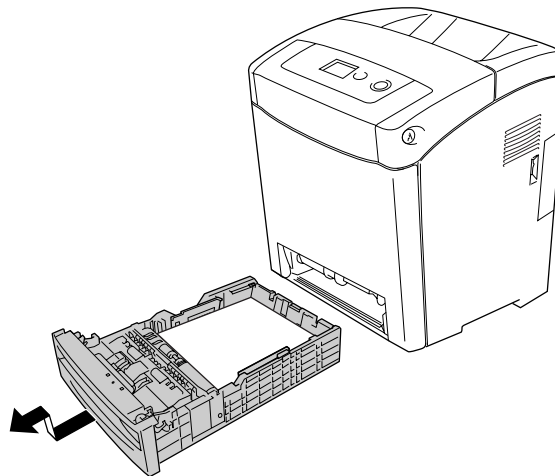
Cleaning the pickup roller

1. Turn off the printer.

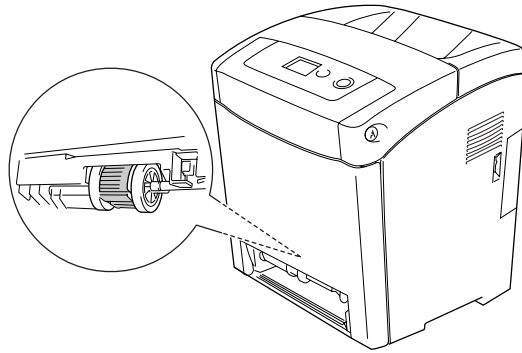


* OFF

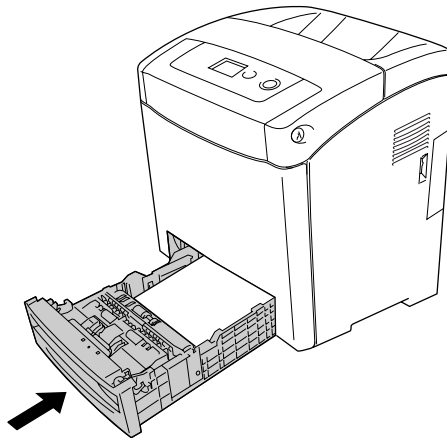
2. Pull the paper cassette unit out.



3. Gently wipe the rubber parts of the pickup roller inside the printer with a well-wrung wet cloth.



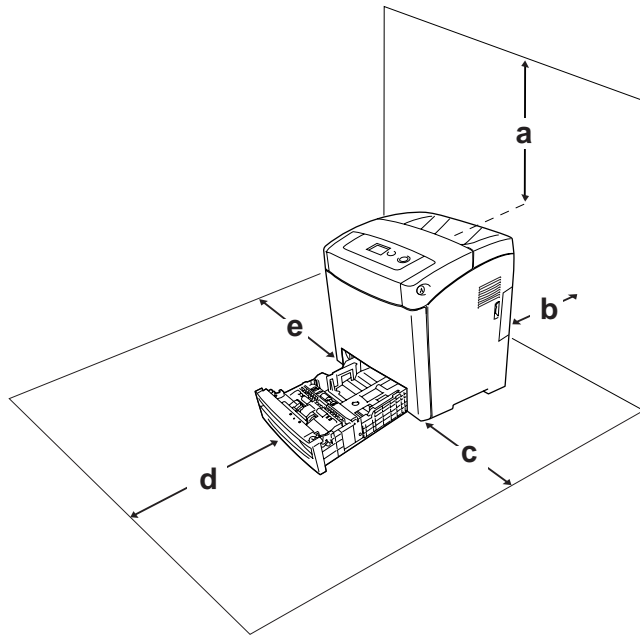
4. Insert the paper cassette unit.



Transporting the Printer

Finding a place for the printer

When relocating the printer, always choose a location that has adequate space for easy operation and maintenance. Use the following illustration as a guide for the amount of space required around the printer to ensure smooth operation.



- a. 350 mm
- b. 140 mm
- c. 100 mm
- d. 270 mm
- e. 100 mm

To install and use any of the following options, you will need the indicated amount of additional space.

The 550-sheet paper cassette unit adds 138 mm (5.4 in.) to the bottom of the printer.

In addition to space considerations, always heed the following precautions when finding a place to locate the printer:

- Place the printer where you can easily unplug the power cord.

- Keep the entire computer and printer system away from potential sources of interference, such as loudspeakers or the base units of cordless telephones.
- Avoid using an electrical outlet that is controlled by wall switches or automatic timers. Accidental disruption of power can erase valuable information in your computer's and printer's memory.

**Caution:**

- Leave adequate room around the printer to allow for sufficient ventilation.
- Avoid locations that are subject to direct sunlight, excessive heat, moisture, or dust.
- Avoid using outlets that other appliances are plugged into.
- Use a grounded outlet that matches the printer's power plug. Do not use an adapter plug.
- Only use an outlet that meets the power requirements for this printer.

For long distances

Repacking the printer

If you need to transport your printer for long distances, carefully repack it using the original box and packing materials.

Follow the steps below to repack your printer.

1. Turn off the printer and remove the following items:
 - Power cord
 - Interface cables
 - Loaded paper
 - Imaging cartridges
 - Installed options
2. Attach the protective materials onto the printer, then repack the printer in its original box.

Adjusting color registration

If you transported your printer for a long distance, you need to adjust the color registration for possible misalignment. For instructions, see "Adjusting Color Registration" on page 185.

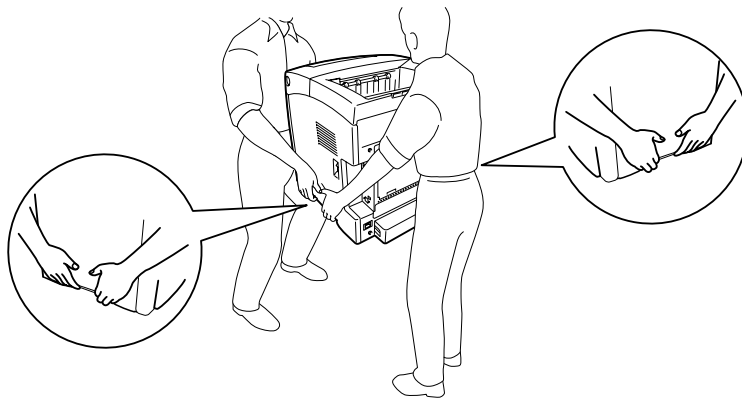
For short distances

Always pay attention to the following handling precautions when you need to move the printer for short distances.

If you are moving the printer on its own, two people should lift and carry the printer.

Follow the steps below to move the printer for short distances.

1. Turn off the printer and remove the following items:
 - Power cord
 - Interface cables
 - Loaded Paper
 - Installed options
2. Be sure to lift the printer by the correct positions as shown below.



Caution:

When moving the printer, always keep it horizontal.

Chapter 12

Troubleshooting

Clearing Jammed Paper

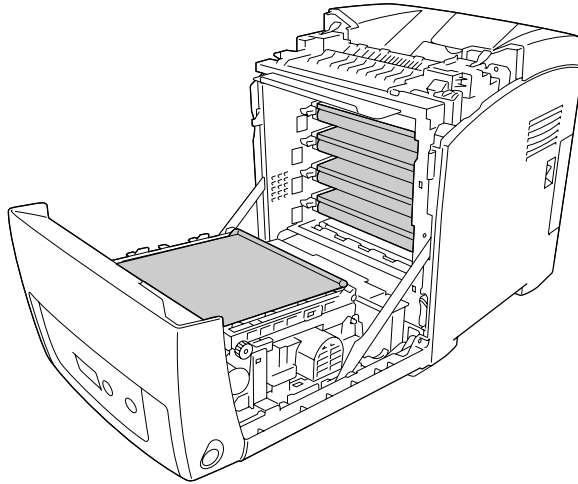
If paper becomes jammed in the printer, the printer's LCD panel and EPSON Status Monitor provide alert messages.

Precautions for clearing jammed paper

Be sure to observe the following points when you clear jammed paper.

- ❑ Do not remove jammed paper by force. Torn paper can be difficult to remove and might cause other paper jams. Pull it gently in order to avoid tearing.
- ❑ Always try to remove jammed paper with both hands to avoid tearing it.
- ❑ If jammed paper is torn and remains in the printer, or if paper is jammed in a place not mentioned in this section, contact your dealer.
- ❑ Make sure that the paper type that is loaded is the same as the Paper Type setting in the printer driver.
- ❑ Do not leave the front cover open for more than five minutes to avoid exposing the imaging cartridges to light.
- ❑ Do not expose the imaging cartridges to sunlight at all.

- ❑ Do not touch the transfer belt and light-sensitive drums to avoid damaging them.



- a. light-sensitive drums
- b. transfer belt

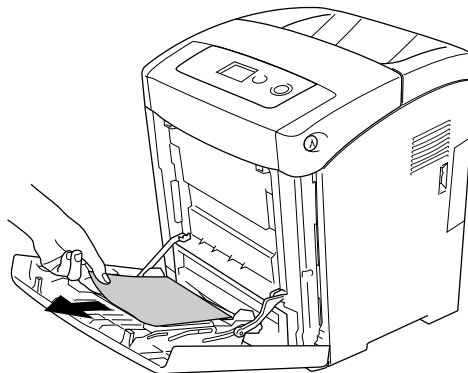


Warning:

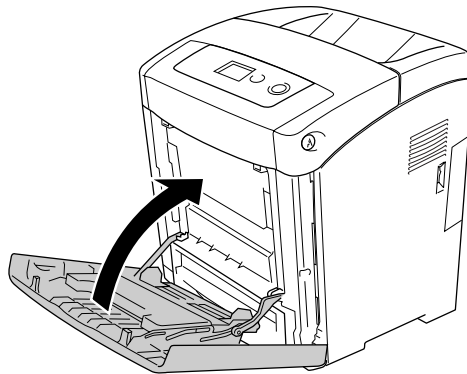
- ❑ Be careful not to touch the fuser, which is marked **CAUTION HIGH TEMPERATURE**, or the surrounding areas. If the printer has been in use, the fuser and the surrounding areas may be very hot.
- ❑ Do not insert your hand deep into the fuser unit as some components are sharp and may cause injury.

Paper Jam MP C1 A

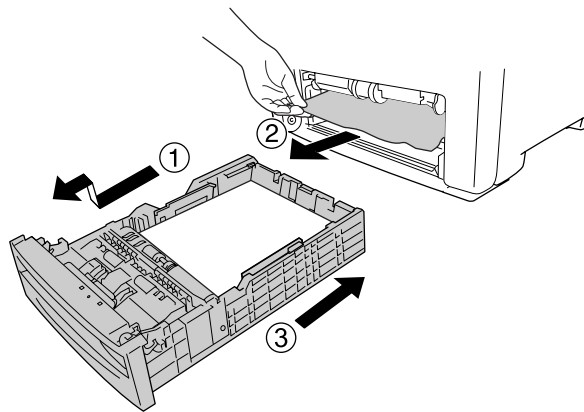
1. Remove all the paper from the MP tray.



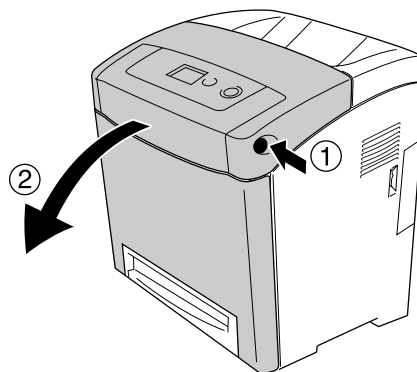
2. Close the MP tray.



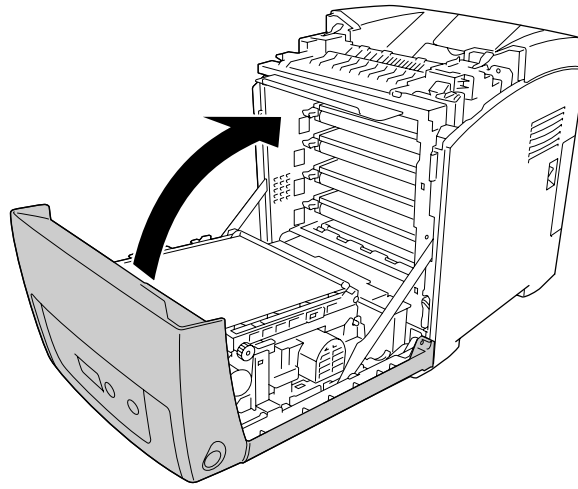
3. Remove the standard paper cassette, gently pull out any sheets of paper, and reinstall the paper cassette.



4. Press the latch on the front cover and open the cover.



5. Close the front cover.

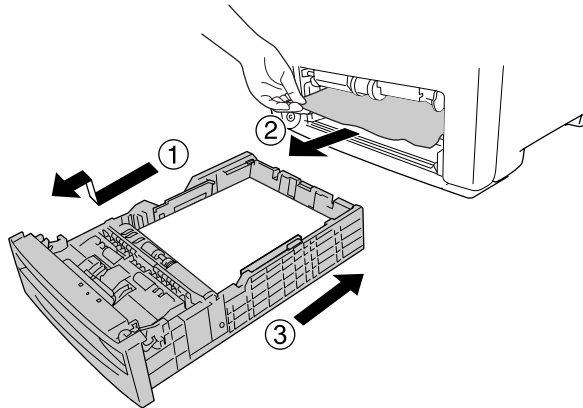


Paper Jam C1 A

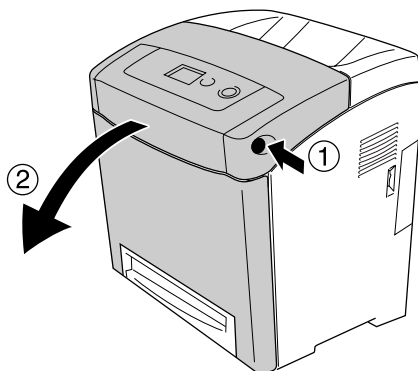
Note:

If the MP tray is open, remove all the paper and then close the MP tray.

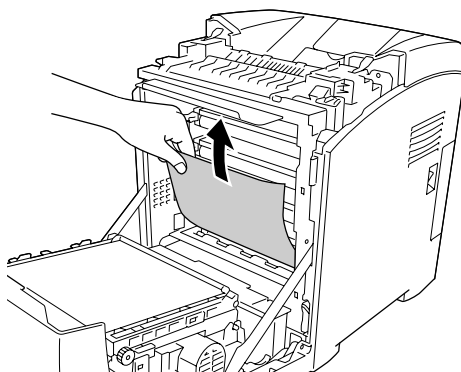
1. Remove the standard paper cassette, gently pull out any sheets of paper, and reinstall the paper cassette.



2. Press the latch on the front cover and open the cover.



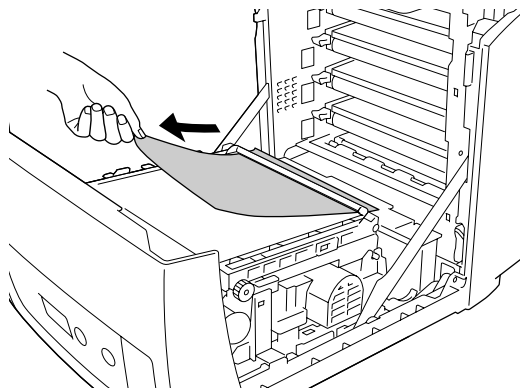
3. Gently pull out any sheets of paper.



Caution:

Do not touch the transfer belt and light-sensitive drums to avoid damaging them.

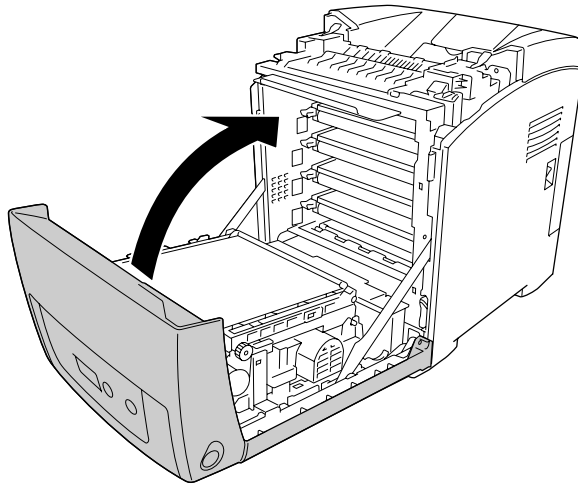
4. Gently pull out any sheets of paper on the transfer unit.





Caution:
Be careful not to damage the transfer belt.

5. Close the front cover.

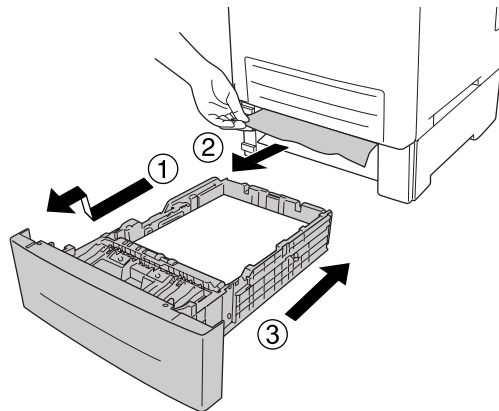


Paper Jam C2 C1 A

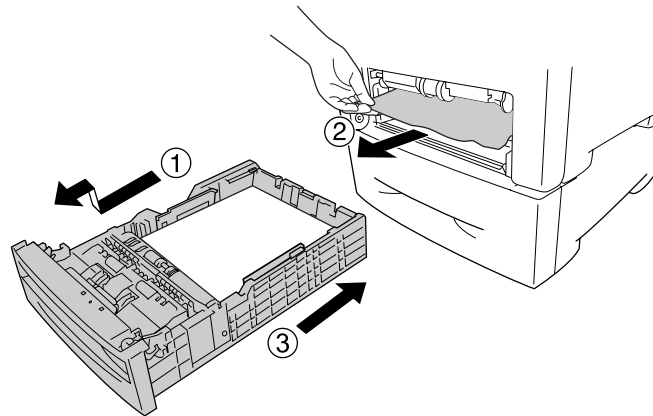
Note:

If the MP tray is open, remove all the paper and then close the MP tray.

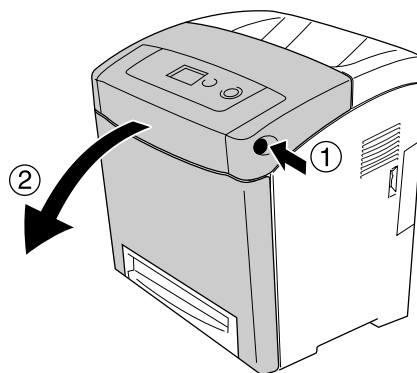
1. Remove the optional paper cassette, gently pull out any sheets of paper, and reinstall the paper cassette.



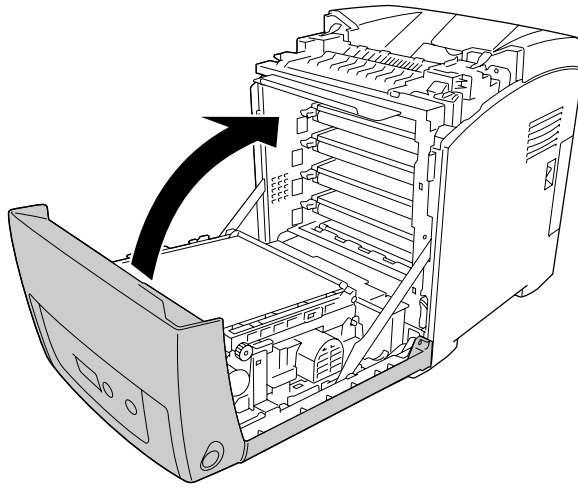
2. Remove the standard paper cassette, gently pull out any sheets of paper, and reinstall the paper cassette.



3. Press the latch on the front cover and open the cover.



4. Close the front cover.

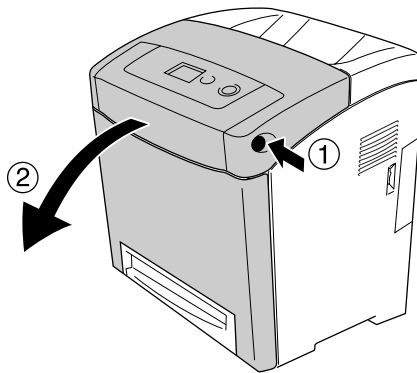


Paper Jam A B

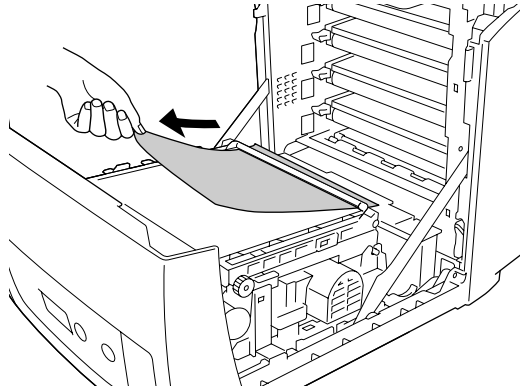
Note:

If the MP tray is open, remove all the paper and then close the MP tray.

1. Press the latch on the front cover and open the cover.



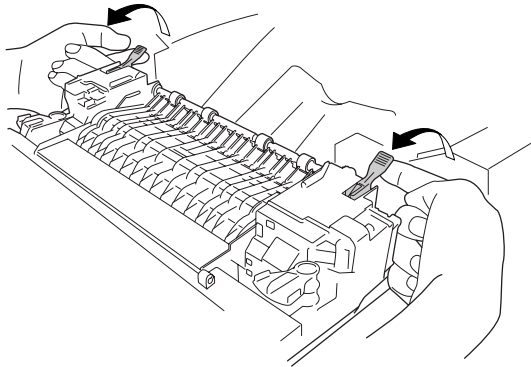
2. Gently pull out any sheets of paper on the transfer unit.



Caution:

- ❑ Be careful not to damage the transfer belt.
- ❑ Do not touch the transfer belt and light-sensitive drums to avoid damaging them.

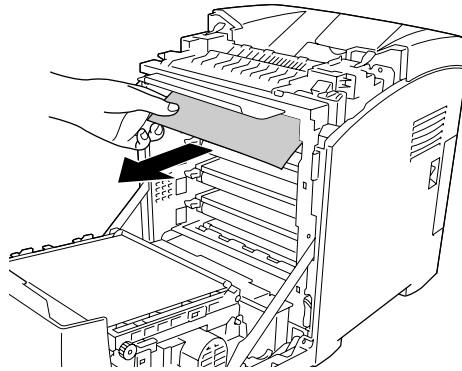
3. Raise the outer green knobs on the fuser unit to open the paper path.



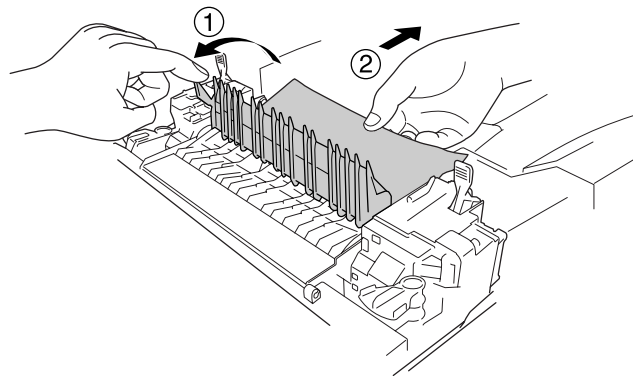
Warning:

Be careful not to touch the fuser, which is marked **CAUTION HIGH TEMPERATURE**, or the surrounding areas. If the printer has been in use, the fuser and the surrounding areas may be very hot. If you must touch one of these areas, wait 30 minutes to allow the heat to subside before doing so.

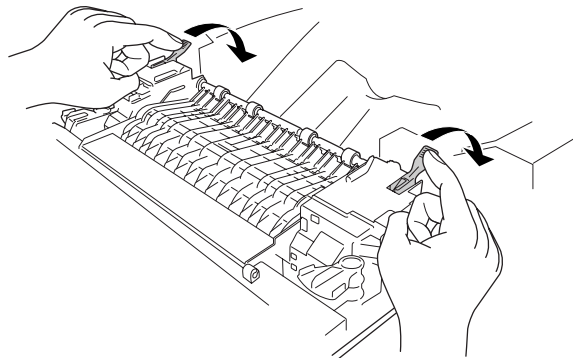
4. Gently pull out any sheets of paper straight towards you.



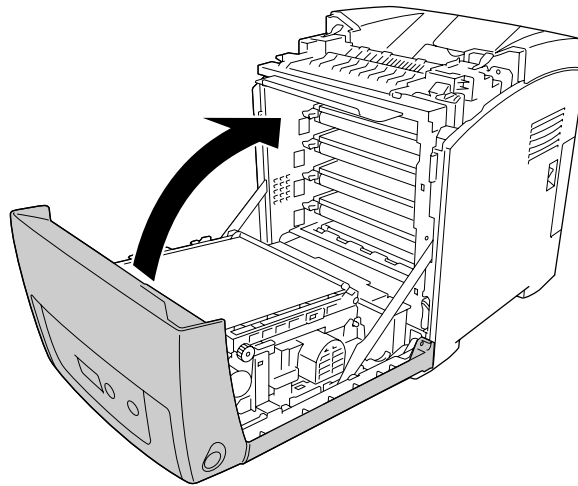
5. Raise the fuser paper guide on the fuser unit and pull out any sheets of paper.



6. Lower the outer green knobs on the fuser unit to close the paper path.



7. Close the front cover.

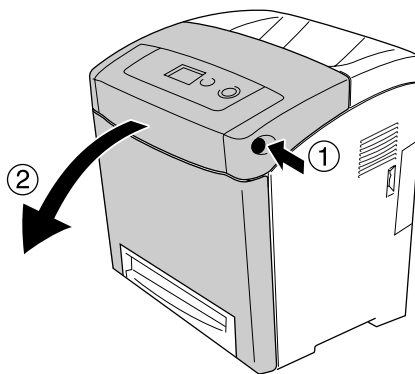


Paper Jam A D

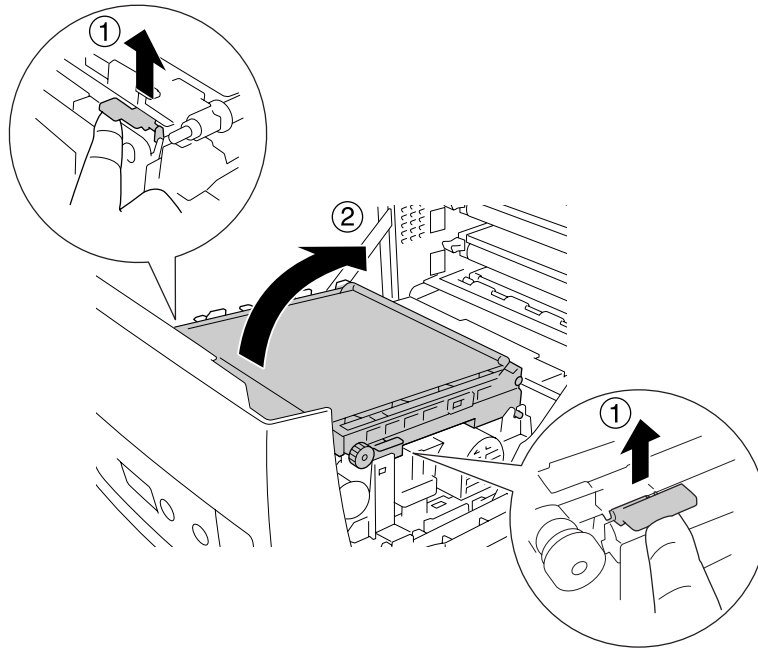
Note:

If the MP tray is open, remove all the paper and then close the MP tray.

1. Press the latch on the front cover and open the cover.

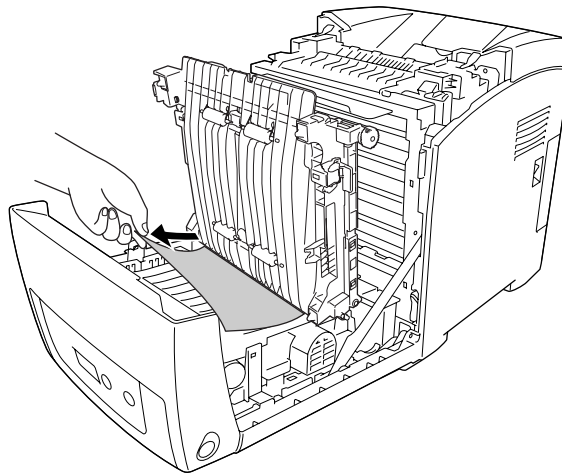


2. Pull up the blue tabs on both sides of the transfer unit, then raise the transfer unit and set it against the printer.

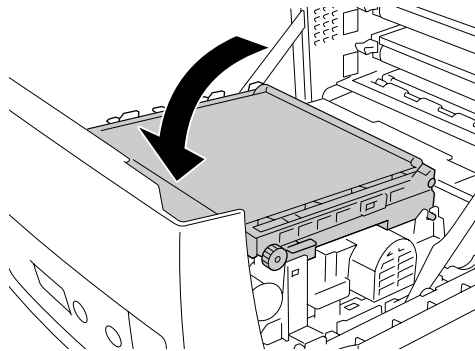
**Caution:**

Do not touch the transfer belt on the transfer unit to avoid damaging it.

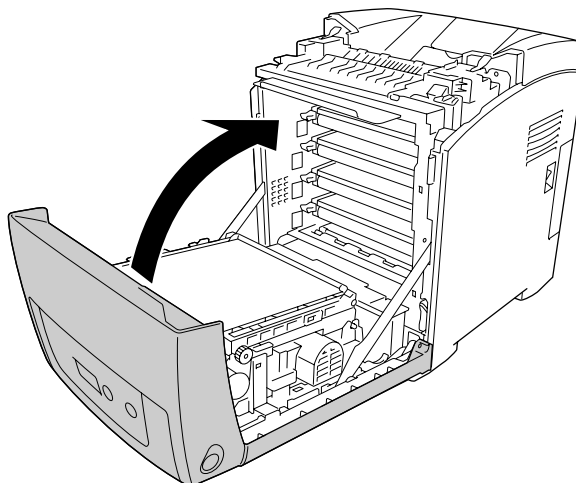
3. Gently pull out any sheets of paper under the transfer unit.



4. Pull down the transfer unit and lock it.



5. Close the front cover.



Printing a Status Sheet

To confirm the current status of the printer, and that the options are installed correctly, print a status sheet using the printer's control panel or the printer driver.

To print a status sheet from the printer's control panel, see "Printing a Status Sheet" on page 184.

To print a status sheet from the Windows printer driver, see "Printing a status sheet" on page 72. You cannot print the status sheet from Macintosh.

Operational Problems

The Ready light does not turn on

Cause	What to do
The power cord may not be properly plugged into the electrical outlet.	Turn off the printer, check the power cord connections between the printer and the electrical outlet, then turn the printer back on.
The electrical outlet may be controlled by an outside switch or an automatic timer.	Make sure that the switch is turned on or plug another electrical device into the outlet to check whether the outlet is operating properly.

The printer does not print (Ready light off)

Cause	What to do
The printer is offline.	Press the O Start/Stop button once to switch the printer to ready status.
Some error may have occurred.	Check the LCD panel to see if an error message appears.

The Ready light is on but nothing prints

Cause	What to do
Your computer may not be properly connected to the printer.	Perform the procedure illustrated in the <i>Setup Guide</i> .
The interface cable may not be plugged in securely.	Check both ends of the interface cable between the printer and the computer.
You may not be using the correct interface cable.	If you are using the USB interface, use a Revision 2.0 cable.

Your application software is not properly set up for your printer.	Make sure that the printer is selected in your application software.
Your computer system's memory is too small to handle the volume of data in your document.	Try reducing the image resolution of your document in the application software, or install more memory in your computer if you can.

The optional product is not available

Cause	What to do
For Windows users, EPSON Status Monitor is not installed. For Macintosh users, you do not re-register the printer.	<p>For Windows users: You have to install EPSON Status Monitor, or make settings manually in the printer driver. See "Making Optional Settings" on page 71.</p> <p>For Macintosh users: When you have attached or removed options from the printer, you need to start EPSON Status Monitor, or delete and re-register the printer. To delete the printer, use Print Setup Utility (for Mac OS X 10.3 and 10.4) or Print Center (for Mac OS X 10.2).</p>

The remaining service lives of the imaging cartridges are not updated (For Windows users only)

Cause	What to do
The interval between updating information for the consumables is too long.	Press the Get Information Now button on the Consumable Info Settings dialog box. You can also change the interval for updating information about the consumables on the Consumable Info Settings dialog box.

Printout Problems

The font cannot be printed

Cause	What to do
For Windows users, you may use the printer fonts substituted for specified TrueType fonts.	In the printer driver, choose the Print TrueType fonts as bitmap button in the Extended Settings dialog box.
The selected font is not supported by your printer.	Make sure that you have installed the correct font. See the <i>Font Guide</i> for more information.

Printout is garbled

Cause	What to do
The interface cable may not be plugged in securely.	Make sure that both ends of the interface cable are plugged in securely.
You may not be using the correct interface cable.	If you are using the USB interface, use a Revision 2.0 cable.
The emulation setting for the port may not be correct.	Specify the emulation mode by using the printer's control panel menus. See "Emulation Menu" on page 151.

Note:

If a status sheet does not print correctly, your printer may be damaged. Contact your dealer or a qualified service representative.

The printout position is not correct

Cause	What to do
The page length and margins may be set incorrectly in your application.	Make sure that you are using the correct page length and margin settings in your application.
The Paper Size setting may be incorrect.	Make sure the correct paper size is set in the Tray Menu on the control panel.
MP Tray Size setting may be incorrect.	When loading paper for which the size is not specified with Auto setting, specify the correct paper size on the MP Tray Size setting in the Tray Menu on the control panel.

Misalignment of colors

Cause	What to do
The registration position of each color may have shifted while the printer was being shipped or moved to a new location.	Adjust the color registration alignment. See "Adjusting Color Registration" on page 185 for instructions.

Graphics do not print correctly

Cause	What to do
The printer emulation setting in your application may be incorrect.	Make sure that your application is set for the printer emulation you are using. For example, if you are using the ESC/Page mode, make sure that your application is set to use an ESC/Page printer.
You may need more memory.	Graphics require large amounts of memory. Install an appropriate memory module. See "Memory Module" on page 196.

Transparencies are output blank from the MP tray

When there are errors while printing on transparencies, the `Check Transparency` error message is displayed on the LCD panel.

Remove the transparencies from the MP tray. Open and close the front cover. Confirm the paper type and size, and then load the correct type of transparencies.

Note:

- When using transparencies, load them in the MP tray and set the Paper Type setting to **Transparency** in the printer driver.
- When the Paper Type setting in the printer driver is set to **Transparency**, do not load any other type of paper except transparencies.

Color Printing Problems

Cannot print in color

Cause	What to do
Black is selected as the Color setting in the printer driver.	Change this setting to Color .
The color setting in the application you are using is not appropriate for color printing.	Make sure that the settings in your application are appropriate for color printing.
One of the imaging cartridges may be the end of its service life but printing was continued by pressing Start/Stop button.	If a Replace Toner error occurs, replace the imaging cartridge without pressing the Start/Stop button. See "Imaging Cartridge" on page 202.

The printout color differs when printed from different printers

Cause	What to do
Printer driver default settings and color tables vary by printer model.	Set the Gamma setting to 1.8 in the More Settings dialog box in the printer driver, then print again. If you still do not get the printouts you expect, adjust the color using the slide bar for each color. For details about the More Settings dialog box, see the printer driver's online help.

The color looks different from what you see on the computer screen

Cause	What to do
Printed colors do not exactly match the colors on your monitor, since printers and monitors use different color systems: monitors use RGB (red, green, and blue), while printers typically use CMYK (cyan, magenta, yellow, and black).	Although it is difficult to match colors perfectly, selecting the printer driver's ICM setting (for Windows) or ColorSync setting (for Macintosh) can improve color matching between different devices. For details, see the printer driver's online help.
For Macintosh, the System Profile setting is not in use.	To apply ColorSync properly, your input device and the application must support ColorSync, and a System Profile must be used for your monitor.
PhotoEnhance may be selected in the printer driver.	The PhotoEnhance feature corrects the contrast and brightness of the original image data, and so may not be suitable for printing vivid images.

Print Quality Problems

The background is dark or dirty

Cause	What to do
You may not be using the correct type of paper for your printer.	If the surface of your paper is too rough, printed characters may appear distorted or broken. EPSON Color Laser Paper, or smooth, high-quality copier paper is recommended for best results. See "Available paper types" on page 262 for information on choosing paper.
The paper path inside the printer may be dusty.	Clean internal printer components by printing three pages with only one character per page.

White dots appear in the printout

Cause	What to do
The paper path inside the printer may be dusty.	Clean internal printer components by printing three pages with only one character per page.

Print quality or tone is uneven

Cause	What to do
Your paper may be moist or damp.	Do not store paper in a humid or damp environment.
One of the imaging cartridges may be near the end of its service life.	<p>If the message on the LCD panel or in EPSON Status Monitor indicates that one of the imaging cartridges is near the end of its service life, replace it. See "Imaging Cartridge" on page 202.</p> <p>For Windows users, you can also check the remaining service lives of the imaging cartridges by looking at the Basic Settings tab in the printer driver.</p>

Half-tone images print unevenly

Cause	What to do
Your paper may be moist or damp.	Do not store paper in a humid or damp environment. Be sure to use paper that is newly unwrapped.
One of the imaging cartridges may be near the end of its service life.	If the message on the LCD panel or in EPSON Status Monitor indicates that one of the imaging cartridges is near the end of its service life, replace it. See "Imaging Cartridge" on page 202. You can also check the remaining service lives of the imaging cartridges by looking at the Basic Settings tab in the printer driver.
The gradation setting is too small when printing graphics.	For Windows users, on the Basic Settings tab in the printer driver, click the Advanced tab and select the More Settings button. Then select the Halftoning . For Mac users, on the Basic Settings tab in the printer driver, click More Settings , select the Enh.MG button, then select Smooth . The setting above can be set only when printing in black and white.

Toner smudges

Cause	What to do
Your paper may be moist or damp.	Do not store your paper in a humid or damp environment.
You may not be using the correct type of paper for your printer.	EPSON Color Laser Paper or smooth, high-quality copier paper is recommended for best results. See "Available paper types" on page 262 for information on choosing paper.
The paper path inside the printer may be dusty.	Clean internal printer components by printing three pages with only one character per page.

Areas are missing in the printed image

Cause	What to do
Your paper may be moist or damp.	This printer is sensitive to moisture absorbed by the paper. The higher the moisture content in the paper, the lighter the printout. Do not store paper in a humid or damp environment.
You may not be using the correct type of paper for your printer.	If the surface of your paper is too rough, printed characters may appear distorted or broken. EPSON Color Laser Paper or smooth, high-quality copier paper is recommended for best results. See "Available paper types" on page 262 for information on choosing paper.

Completely blank pages are output

Cause	What to do
The printer may have loaded more than one sheet at a time.	Remove the paper stack and fan it. Tap it on a flat surface to even the edges, then reload the paper.
One of the imaging cartridges may be near the end of its service life.	<p>If the message on the LCD panel or in EPSON Status Monitor indicates that one of the imaging cartridges is near the end of its service life, replace it. See "Imaging Cartridge" on page 202.</p> <p>For Windows users, you can also check the remaining service lives of the imaging cartridges by looking at the Basic Settings tab in the printer driver.</p>
The problem may be with your application or interface cable.	Print out a status sheet. See "Printing a Status Sheet" on page 184. If a blank page is ejected, the problem may be with the printer. Turn off the printer and contact your dealer.
The Paper Size setting may be incorrect.	Make sure the correct paper size is set in the Tray Menu on the control panel.
MP Tray Size setting may be incorrect.	When loading paper for which the size is not specified with Auto setting, specify the correct paper size on the MP Tray Size setting in the Tray Menu on the control panel.
The cartridge seal may not be pulled out of the imaging cartridge.	Make sure that the cartridge seal has been pulled out completely. See "Imaging Cartridge" on page 202 for details.

The printed image is light or faint

Cause	What to do
Your paper may be moist or damp.	Do not store your paper in a humid or damp environment.
The Toner Save mode may be on.	Turn off the Toner Save mode using the printer driver or the printer's control panel menus. To modify the Toner Save mode using the printer driver, select the Advanced button in the Basic Settings tab, and click the More Settings . Deselect the Toner Save check box in the More Settings dialog box for Windows users or in the Advanced dialog for Mac users.
One of the imaging cartridges may be near the end of its service life.	<p>If the message on the LCD panel or in EPSON Status Monitor indicates that one of the imaging cartridges is near the end of its service life, replace it. See "Imaging Cartridge" on page 202.</p> <p>For Windows users, you can also check the remaining service lives of the imaging cartridges by looking at the Basic Settings tab in the printer driver.</p>

The non-printed side of the page is dirty

Cause	What to do
Toner may have spilled onto the paper feed path.	Clean internal printer components by printing three pages with only one character per page.

Memory Problems***Print quality decreased***

Cause	What to do
The printer cannot print in the required quality level because of insufficient memory, and the printer lowers the quality automatically so that the printer can continue printing.	<p>Check to see if the printout is acceptable. If not, add more memory for a permanent solution or lower print quality temporarily in the printer driver.</p> <p>If RAM Disk is set to Maximum or Normal on the control panel, you can increase the available memory space by changing this setting to Off.</p>

Insufficient memory for current task

Cause	What to do
The printer has insufficient memory for current task.	<p>Add more memory for a permanent solution or lower print quality temporarily in the printer driver.</p> <p>If RAM Disk is set to Maximum or Normal on the control panel, you can increase the available memory space by changing this setting to Off.</p>

Insufficient memory to print all copies

Cause	What to do
The printer does not have sufficient memory to collate print jobs.	<p>Only one set of copies will be printed. Reduce the contents of print jobs, or add more memory. For information on installing more memory, see "Memory Module" on page 196.</p> <p>If RAM Disk is set to Maximum or Normal on the control panel, you can increase the available memory space by changing this setting to Off.</p>

Paper Handling Problems

Paper does not feed properly

Cause	What to do
The paper guides are not set correctly.	Make sure that the paper guides in all the paper cassettes and the MP tray are set to the correct paper size positions.
The paper source setting may not be correct.	Make sure that you have selected the correct paper source in your application.
There may be no paper in the paper cassettes.	Load paper into the selected paper source.
The size of loaded paper differs from the control panel or printer driver settings.	Make sure that the correct paper size and paper source are set in the control panel or printer driver.
Too many sheets may be loaded in the MP tray or paper cassettes.	Make sure that you have not tried to load too many sheets of paper. For the maximum paper capacity for each paper source, see "MP tray" on page 34, "Standard lower paper cassette" on page 35, and "550-sheet Paper Cassette Unit" on page 35.
If paper does not feed from the optional paper cassette unit, the unit may not be installed properly.	For instructions on installing the unit, see "Optional Paper Cassette Unit" on page 187.

Problems Using Options

To confirm your options are installed correctly, print a status sheet. See "Printing a Status Sheet" on page 184 for details.

Paper does not feed from the optional paper cassette

Cause	What to do
The paper guides are not set correctly.	Make sure that the paper guides in the optional paper cassettes are set to the correct paper size positions.
The optional paper cassette may not be installed properly.	See "Optional Paper Cassette Unit" on page 187 for instructions on installing an optional paper cassette unit.
The paper source setting may not be correct.	Make sure you have selected the proper paper source in your application.
There may be no paper in the paper cassette.	Load paper into the selected paper source.

Too many sheets may be loaded in the paper cassette.	Make sure that you have not tried to load too many sheets of paper. For the maximum paper capacity for each paper source, see "MP tray" on page 34, "Standard lower paper cassette" on page 35, and "550-sheet Paper Cassette Unit" on page 35.
The paper size is not set correctly.	Make sure to set the paper guides in the optional paper cassette correctly.

Feed jam when using the optional paper cassette

Cause	What to do
The paper is jammed at the optional paper cassette.	See "Clearing Jammed Paper" on page 224 to clear jammed paper.

An installed option cannot be used

Cause	What to do
The installed option is not defined in the printer driver.	<p>For Windows users: You have to make settings manually in the printer driver. See "Making Optional Settings" on page 71.</p> <p>For Macintosh users: When you have attached or removed options from the printer, you need to start EPSON Status Monitor, or delete and re-register the printer. To delete the printer, use Print Setup Utility (for Mac OS X 10.3 and 10.4) or Print Center (for Mac OS X 10.2).</p>

Correcting USB Problems

If you are having difficulty using printer with a USB connection, see if your problem is listed below, and take any recommended actions.

USB connections

USB cables or connections can sometimes be the source of USB problems. Try one or both of these solution.

- ❑ For best results, you should connect the printer directly to the computer's USB port. If you must use multiple USB hubs, we recommend that you connect the printer to the first-tier hub.

Windows operating system

Your computer must be a model pre-installed with Windows Vista, Vista x64, XP, XP x64, 2000, Server 2003, or Server 2003 x64, or a model that was pre-installed with Windows 2000, Server 2003, or Server 2003 x64, and upgraded to Windows Vista, Vista x64, XP, or XP x64. You may not be able to install or run the USB printer driver on a computer that does not meet these specifications or that is not equipped with a built-in USB port.

For details about your computer, contact your dealer.

Printer software installation

Incorrect or incomplete software installation can lead to USB problems. Take note of the following and perform the recommended checks to ensure proper installation.

Checking printer software installation

When using Windows Vista, Vista x64, XP, XP x64, 2000, Server 2003, or Server 2003 x64, you must follow the steps in the *Setup Guide* packed with the printer to install the printer software. Otherwise, Microsoft's Universal driver may be installed instead. To check if the Universal driver has been installed, follow the steps below.

1. Open the **Printers** folder, then right-click the icon of your printer.
2. Click **Printing Preferences** on the shortcut menu that appears, then right-click anywhere in the driver.

If **About** is displayed in the shortcut menu that appears, click it. If a message box with the words "Unidrv Printer Driver" appears, you must reinstall the printer software as described in the *Setup Guide*. If About is not displayed, the printer software has been installed correctly.

Note:

*For Windows 2000, if the Digital Signature Not Found dialog box appears during the installation process, click **Yes**. If you click **No**, you will have to install the printer software again.*

*For Windows Vista, Vista x64, XP, XP x64, Server 2003, or Server 2003 x64, if the Software Installation dialog box appears during the installation process, click **Continue Anyway**. If you click **STOP Installation**, you will have to install the printer software again.*


Status and Error Messages

You can see the printer's status and error messages on the LCD panel. For more information, see "Status and Error Messages" on page 171.

Canceling Printing

You can cancel printing from your computer by using the printer driver or from the printer's control panel.

To cancel a print job before it is sent from your computer, for Windows, see "Canceling Printing" on page 90 or for Macintosh, see "Canceling Printing" on page 132.

The  **Cancel Job** button on your printer is the quickest and easiest way to cancel printing.

For instructions, see "Canceling Printing" on page 185.

Printing in the PostScript 3 Mode Problems

The problems listed in this section are those that you may encounter when printing with the PostScript driver. All procedural instructions refer to the PostScript printer driver.

The printer does not print correctly in the PostScript mode

Cause	What to do
The printer's emulation mode setting is incorrect.	The printer is set to the Auto mode by default, so that it can automatically determine the encoding used in the received print job data and select the appropriate emulation mode. However, there are situations where the printer cannot select the correct emulation mode. In this case, it must be set manually to P ₃ . Set the emulation mode through the SelectType Emulation menu on the printer. See "Emulation Menu" on page 151.
The printer's emulation mode setting for the interface that you are using is incorrect.	The emulation mode can be set individually for each interface which receives print job data. Set the emulation mode for the interface you are using to P ₃ . Set the emulation mode through the SelectType Emulation menu on the printer. See "Emulation Menu" on page 151.

The printer does not print

Cause	What to do
The Print to file check box is selected in the Print dialog box (except on Mac OS X).	Clear the Print to file check box in the Print dialog box.
The Save as File check box is selected on the Output Option sheet in the Print dialog box (Mac OS X only).	Clear the Save as File check box on the Output Option sheet in the Print dialog box.
An incorrect printer driver is selected.	Make sure that the PostScript printer driver that you are using to print is selected.
The Emulation menu in the printer's Control Panel is set to a mode other than Auto or P ₃ for the interface that you are using.	Change the mode setting to either Auto or P ₃ .

The printer driver or printer that you need to use does not appear in the Printer Setup Utility (Mac OS 10.3.x and 10.4.x) or Print Center (Mac OS 10.2)

Cause	What to do
The printer name has been changed.	Ask the network administrator for details, then select the appropriate printer name.
The AppleTalk zone setting is incorrect.	Open the Printer Setup Utility (Mac OS 10.3.x and 10.4.x) or Print Center (Mac OS 10.2), then select the AppleTalk zone that the printer is connected to.

The font on the printout is different from that on the screen

Cause	What to do
The PostScript screen fonts are not installed.	The PostScript screen fonts must be installed on the computer that you are using. Otherwise, the font that you select is substituted by some other font for display on the screen.
For Windows users only The appropriate substitution fonts are not correctly specified on the Device Settings sheet of the printer's Properties dialog box.	If the Send TrueType fonts to printer according to the font Substitution Table setting on the Fonts sheet of the printer's Properties dialog box is turned on, TrueType fonts are replaced by the printer fonts before they are printed. Specify the appropriate substitution fonts using the Font Substitution Table. Specify the appropriate substitution fonts using the Font Substitution Table.

The printer fonts cannot be installed

Cause	What to do
The Emulation menu in the printer's Control Panel is not set to P ₃ for the interface that you are using.	Change the Emulation menu setting to P ₃ for the interface that you are using, then try reinstalling the printer fonts again.

The edges of texts and/or images are not smooth

Cause	What to do
The Print Quality is set to Fast .	Change the Print Quality setting to Fine or Maximum .
The printer does not have sufficient memory.	Increase the printer memory.

The printer does not print normally via the USB interface

Cause	What to do
<p>For Windows users only</p> <p>The Data Format setting in the printer's Properties is not set to ASCII or TBCP.</p>	<p>The printer cannot print binary data when it is connected to the computer via the USB interface. Make sure that the Data Format setting, which is accessed by clicking Advanced on the PostScript sheet of the printer's Properties, is set to ASCII or TBCP.</p> <p>If your computer is running Windows Vista, Vista x64, XP, XP x64, click the Device Settings tab in the printer's Properties, then click the Output Protocol setting and select ASCII or TBCP.</p>

The printer does not print normally via the network interface

Cause	What to do
<p>The Data Format setting is different from the data format setting specified in the application (except on Mac OS X)</p>	<p>If the file is created in an application that allows you to change the data format or encoding, such as Photoshop, make sure that the setting in the application matches that in the printer driver.</p>
<p>For Windows users only</p> <p>The computer is connected to the network using AppleTalk in a Windows 2000 environment, and the Send CTRL+D Before Each Job or Send CTRL+D After Each Job setting on the Device Settings sheet of the printer's Properties dialog box is set to Yes.</p>	<p>Make sure that both the Send CTRL+D Before Each Job and Send CTRL+D After Each Job settings are set to No.</p>
<p>For Windows users only</p> <p>The print data is too large.</p>	<p>Click Advanced on the PostScript sheet of the printer's Properties, then change the Data Format setting from ASCII data (default) to TBCP (Tagged binary communications protocol).</p> <p>When the Binary setting is set to On, TBCP is not available. Use the Binary protocol. See "PS3 Menu" on page 163 for details.</p>
<p>For Windows users only</p> <p>Printing cannot be performed using the network interface.</p>	<p>Click Advanced on the PostScript sheet of the printer's Properties, then change the Data Format setting from ASCII data (default) to TBCP (Tagged binary communications protocol).</p> <p>When the Binary setting is set to On, TBCP is not available. Use the Binary protocol. See "PS3 Menu" on page 163 for details.</p>

An undefined error occurs (Macintosh only)

Cause	What to do
<p>The version of the Mac OS that you are using is unsupported.</p>	<p>This printer's driver can only be used on Macintosh computers running Mac OS X version 10.2.8 or later.</p>

Printing in the PCL6/5 Mode Problems

The problems listed in this section are those that you may encounter when printing in the PCL6 mode. All procedural instructions, refer to the PCL6 printer driver.

The printer does not print

Cause	What to do
The Print to file check box is selected in the Print dialog box.	Clear the Print to file check box in the Print dialog box.

The printer does not print correctly in the PCL mode

Cause	What to do
(PCL5c mode only) Graphics Mode may be set to HP-GL/2 and the printing data may include the data that cannot be printed in the setting.	Access the printer driver, click the General tab, click Options , then select Raster as Graphics Mode .
Image Optimum may be set to Auto or On and the printing data may include the data that cannot be printed in the setting.	Access the Printing Menu on your printer's control panel, then set Image Optimum to Off.

The font on the printout is different from that on the screen

Cause	What to do
The EPSON screen fonts are not installed.	The screen fonts must be installed on the computer that you are using. Otherwise, the font that you select is substituted by some other font for display on the screen.

The edges of texts and/or images are not smooth

Cause	What to do
The resolution is set to Fast (300 dpi) .	Access the printer driver, click the Print Quality tab, then select Fine (600 dpi) as the resolution.
The printer does not have sufficient memory.	Increase the printer memory.
The RITech is set to Off .	Access the printer driver, click the Print Quality tab, then select On for RITech from the drop-down list.

The Custom button is grayed out and the custom paper size cannot be created (Windows Vista/Vista x64 only)

Cause	What to do
After right-clicking your printer icon in the Printers in the Control Panel , you accessed the printer driver from Printing Preferences....	After you right-click your printer icon in the Printers in the Control Panel , select Run as administrator and click Open . Select Printer tab in the screen that appears and then click Printing Preferences....

The items in the Tray tab/Printer tab are grayed out and these items cannot be changed (Windows Vista/Vista x64 only)

Cause	What to do
After right-clicking your printer icon in the Printers in the Control Panel , you accessed the printer driver from Properties .	After you right-click your printer icon in the Printers in the Control Panel , select Run as administrator and click Properties .

Appendix A

Customer Support

Contacting Customer Support

Before Contacting Epson

If your Epson product is not operating properly and you cannot solve the problem using the troubleshooting information in your product documentation, contact customer support services for assistance. If customer support for your area is not listed below, contact the dealer where you purchased your product.

Customer support will be able to help you much more quickly if you give them the following information:

- Product serial number
(The serial number label is usually on the back of the product.)
- Product model
- Product software version
(Click **About**, **Version Info**, or similar button in the product software.)
- Brand and model of your computer
- Your computer operating system name and version
- Names and versions of the software applications you normally use with your product

Help for Users in Europe

Check your **Pan-European Warranty Document** for information on how to contact EPSON Customer support.

Help for Users in Australia

Epson Australia wishes to provide you with a high level of customer service. In addition to your product documentation, we provide the following sources for obtaining information:

Your Dealer

Don't forget that your dealer can often help identify and resolve problems. The dealer should always be the first call for advice on problems; they can often solve problems quickly and easily as well as give advice on the next step to take.

Internet URL <http://www.epson.com.au>

Access the Epson Australia World Wide Web pages. Worth taking your modem here for the occasional surf! The site provides a download area for drivers, Epson contact points, new product information and technical support (e-mail).

Epson Helpdesk

Epson Helpdesk is provided as a final backup to make sure our clients have access to advice. Operators on the Helpdesk can aid you in installing, configuring and operating your Epson product. Our Pre-sales Helpdesk staff can provide literature on new Epson products and advise where the nearest dealer or service agent is located. Many types of queries are answered here.

The Helpdesk numbers are:

Phone: 1300 361 054

Fax: (02) 8899 3789

We encourage you to have all the relevant information on hand when you ring. The more information you prepare, the faster we can help solve the problem. This information includes your Epson product documentation, type of computer, operating system, application programs, and any information you feel is required.

Help for Users in Singapore

Sources of information, support, and services available from Epson Singapore are:

World Wide Web (<http://www.epson.com.sg>)

Information on product specifications, drivers for download, Frequently Asked Questions (FAQ), Sales Enquiries, and Technical Support via e-mail are available.

Epson HelpDesk (Phone: (65) 6586 3111)

Our HelpDesk team can help you with the following over the phone:

- Sales enquiries and product information

- Product usage questions or problem
- Enquiries on repair service and warranty

Help for Users in Thailand

Contact for information, support, and services are:

World Wide Web (<http://www.epson.co.th>)

Information on product specifications, drivers for download, Frequently Asked Questions (FAQ), and e-mail are available.

Epson Hotline (Phone: (66)2685-9899)

Our Hotline team can help you with the following over the phone:

- Sales enquiries and product information
- Product usage questions or problem
- Enquiries on repair service and warranty

Help for Users in Vietnam

Contacts for information, support, and services are:

Epson Hotline (Phone): 84-8-823-9239

Service Center: 80 Truong Dinh Street, District 1, Hochiminh City Vietnam

Help for Users in Indonesia

Contacts for information, support, and services are:

World Wide Web (<http://www.epson.co.id>)

- Information on product specifications, drivers for download
- Frequently Asked Questions (FAQ), Sales Enquiries, questions through e-mail

Epson Hotline

- Sales enquiries and product information
- Technical support

Phone (62) 21-572 4350

Fax (62) 21-572 4357

Epson Service Center

Jakarta Mangga Dua Mall 3rd floor No 3A/B
Jl. Arteri Mangga Dua,
Jakarta
Phone/Fax: (62) 21-62301104

Bandung Lippo Center 8th floor
Jl. Gatot Subroto No.2
Bandung
Phone/Fax: (62) 22-7303766

Surabaya Hitech Mall It IIB No. 12
Jl. Kusuma Bangsa 116 – 118
Surabaya
Phone: (62) 31-5355035
Fax: (62)31-5477837

Yogyakarta Hotel Natour Garuda
Jl. Malioboro No. 60
Yogyakarta
Phone: (62) 274-565478

Medan Wisma HSBC 4th floor
Jl. Diponegoro No. 11
Medan
Phone/Fax: (62) 61-4516173

Makassar MTC Karebosi Lt. III Kav. P7-8
Jl. Ahmad Yani No.49
Makassar
Phone: (62)411-350147/411-350148

Help for Users in Hong Kong

To obtain technical support as well as other after-sales services, users are welcome to contact Epson Hong Kong Limited.

Internet Home Page

Epson Hong Kong has established a local home page in both Chinese and English on the Internet to provide users with the following information:

- Product information
- Answers to Frequently Asked Questions (FAQs)
- Latest versions of Epson product drivers

Users can access our World Wide Web home page at:

<http://www.epson.com.hk>

Technical Support Hotline

You can also contact our technical staff at the following telephone and fax numbers:

Phone: (852) 2827-8911

Fax: (852) 2827-4383

Help for Users in Malaysia

Contacts for information, support, and services are:

World Wide Web (<http://www.epson.com.my>)

- Information on product specifications, drivers for download
- Frequently Asked Questions (FAQ), Sales Enquiries, questions through e-mail

Epson Trading (M) Sdn. Bhd.

Head Office.

Phone: 603-56288288

Fax: 603-56288388 / 399

Epson Helpdesk

- Sales enquiries and product information (Infoline)

Phone: 603-56288222

- Enquiries on repair services & warranty, product usage and technical support (Techline)

Phone: 603-56288333

Help for Users in India

Contacts for information, support, and services are:

World Wide Web (<http://www.epson.co.in>)

Information on product specifications, drivers for download, and products enquiry are available.

Epson India Head Office - Bangalore

Phone: 080-30515000

Fax: 30515005

Epson India Regional Offices:

Location	Telephone number	Fax number
Mumbai	022-28261515 /16/17	022-28257287
Delhi	011-30615000	011-30615005
Chennai	044-30277500	044-30277575
Kolkata	033-22831589 / 90	033-22831591
Hyderabad	040-66331738/ 39	040-66328633
Cochin	0484-2357950	0484-2357950
Coimbatore	0422-2380002	NA
Pune	020-30286000 /30286001/30286002	020-30286000
Ahmedabad	079-26407176 / 77	079-26407347

Helpline

For Service, Product info or to order a cartridge - 18004250011 (9AM - 9PM) - This is a Toll-free number.

For Service (CDMA & Mobile Users) - 3900 1600 (9AM - 6PM) Prefix local STD code

Help for Users in the Philippines

To obtain technical support as well as other after sales services, users are welcome to contact the Epson Philippines Corporation at the telephone and fax numbers and e-mail address below:

Phone: (63) 2-813-6567
Fax: (63) 2-813-6545
E-mail: epchelpdesk@epc.epson.com.ph

World Wide Web (<http://www.epson.com.ph>)

Information on product specifications, drivers for download, Frequently Asked Questions (FAQ), and E-mail Enquiries are available.

Epson Helpdesk (Phone: (63) 2-813-6567)

Our Hotline team can help you with the following over the phone:

- Sales enquiries and product information
- Product usage questions or problems
- Enquiries on repair service and warranty

Appendix B

Technical Specifications

Paper

Since the quality of any particular brand or type of paper may be changed by the manufacturer at any time, Epson cannot guarantee the quality of any type of paper. Always test samples of paper stock before purchasing large quantities or printing large jobs.

Available paper types

Paper type	Description
Plain paper	Weight: 60 to 80 g/m ² (Recycled paper is acceptable.* ¹)
Semi-Thick Paper	Weight: 81 to 105 g/m ² (Recycled paper is acceptable.* ¹)
Envelopes	No paste and no tape. No plastic window. (unless specifically designed for laser printers.)
Labels	The backing sheet should be covered completely, with no gaps between labels.
Thick paper	Weight: 106 to 163 g/m ²
Extra thick paper	Weight: 164 to 216 g/m ² * ²
EPSON Color Laser Paper	Weight: 82 g/m ²
EPSON Color Laser Transparencies	Weight: 140 g/m ²
EPSON Color Laser Coated Paper	Weight: 103 g/m ²
Colored paper	Non coated
Paper with letterhead	Paper and ink of letterheads must be compatible with laser printers.

*¹ Use recycled paper only under normal temperature and humidity conditions. Poor quality paper may reduce print quality, or cause paper jams and other problems.

*² When using extra thick paper, set the Paper Type setting in the printer driver to Extra Thick.

Paper that should not be used

You cannot use the following paper in this printer. It may cause printer damage, paper jams, and poor print quality:

- Media meant for other color laser printers, black-and-white laser printers, color copiers, black-and-white copiers, or ink jet printers
- Previously printed paper by any other color laser printers, black-and-white laser printers, color copiers, black-and-white copiers, ink jet printers, or thermal transfer printers
- Carbon paper, carbonless paper, thermal-sensitive paper, pressure-sensitive paper, acid paper, or paper that uses high-temperature-sensitive ink (around 190 °C)
- Labels that peel easily or labels that do not cover the backing sheet completely
- Coated paper or special surface-colored paper
- Paper that has binder holes or is perforated
- Paper that has glue, staples, paper clips, or tape on it
- Paper that attracts static electricity
- Moist or damp paper
- Paper of uneven thickness
- Overly thick or thin paper
- Paper that is too smooth or too rough
- Paper that is different on the front and back
- Paper that is folded, curled, wavy, or torn
- Paper of irregular shape, or paper that does not have right angle corners

Printable area

4-mm minimum margin on all sides. (The printable width should be 207.9 mm or less.)

Note:

- The printable area varies, depending on the emulation mode in use.*
- When using ESC/Page language, there is 5-mm minimum margin on all sides.*
- The print quality may be irregular depending on the paper you use. Print on one or two sheets of paper to check the print quality.*

Printer

General

Printing method:	Laser beam scanning and dry electrophotographic process	
Print Quality:	4800 RIT ^{*1}	
Resolution:	600 × 600 dpi, 1200 × 1200 dpi	
Continuous printing speed ^{*2} :	A maximum of 25 pages per minute black and white printing on A4 size paper A maximum of 20 pages per minute color printing on A4 size paper	
Paper feed:	Automatic or manual feed	
Paper feed alignment:	Center alignment for all sizes	
Input paper supply:		
MP tray:	Up to 150 sheets of plain paper (60~105 g/m ²) Up to a 15 mm thick stack of envelopes Up to 75 sheets of transparencies Up to a 15 mm thick stack of labels	
Standard lower paper cassette:	Up to 250 sheets of plain paper (60~105 g/m ²)	
Paper output:	For all paper types and size	
Paper output capacity:	Up to 250 sheets of plain paper (60~105 g/m ²)	
Duplex (models with Duplex Unit only):	Paper Type:	Paper Size:
	Plain paper, Semi-Thick paper	A4, B5, A5, Letter (LT), Executive (EXE), Government Legal (GLG), Legal (LGL)
	Thick paper	A4, B5, A5, Letter (LT), Executive (EXE), Government Legal (GLG), Legal (LGL)
	EPSON Color Laser Paper	A4
Printer language:	ECP/Page printer language	
	ESC/P 2 24-pin printer emulation (ESC/P 2 mode)	
	ESC/P 9-pin printer emulation (FX mode)	
	IBM Proprinter emulation (I239X mode)	
	Adobe PostScript3 (PS3 mode) PCL6/PCL5 emulation (PCL mode)	
Resident fonts:	84 scalable fonts, and 7 bitmap fonts for ESC/Page 93 scalable fonts, and 7 bitmap PCL5c 17 scalable fonts for PostScript3	

RAM:	128 MB, expandable up to 640 MB
------	---------------------------------

*1 Epson AcuLaser Resolution Improvement Technology

*2 Printing speed varies by paper source or other conditions.

Environmental

Temperature:	In use:*	10 to 32°C (50 to 90°F)
	Not in use:	-20 to 40°C (-40 to 104°F)
Humidity:	In use:*	15 to 85% RH
	Not in use:	5 to 85% RH
Altitude:	3,500 meters (11,483 feet) maximum	

* The recommended environment is 15 to 28°C (59 to 82°F) and 20 to 70% RH.

Mechanical

Dimensions	Height:	477 mm (18.8 in.)
	Width:	420 mm (16.5 in.)
	Depth:	501 to 577 mm (19.7 to 22.7 in.)
Weight	Approx. 24.0 kg (about 52.8 lb) with Duplex Unit Approx. 23.0 kg (about 50.6 lb) without Duplex Unit (Excluding consumables and options)	

Electrical

			120 V Model KEAS-1	220-240 V Model KEBS-1
Rated voltage			110 V-120 V	220 V-240 V
Rated frequency			50 Hz / 60 Hz	50 Hz / 60 Hz
Rated current			8 A	4 A
Power consumption	During printing	Average (Color printing)	376 W	361 W
		Average (Black and white printing)	354 W	347 W
		MAX	750 W (with Duplex Unit) 730 W (without Duplex Unit)	750 W (with Duplex Unit) 730 W (without Duplex Unit)
	During ready mode		82 W	78 W
	During sleep mode*		Up to 17 W	Up to 17 W

* Values represent power consumption while all operations are completely suspended. Power consumption varies depending on errors and operating conditions.

Standard and approvals

European model:

Low Voltage Directive 2006/95/EC EN 60950-1
 EMC Directive 2004/108/EC EN 55022 Class B
 EN 55024
 EN 61000-3-2
 EN 61000-3-3

Australian model:

EMC AS/NZS CISPR22 Class B

Interfaces

USB interface

USB 2.0 High Speed mode

Note:

- ❑ *Only computers equipped with a USB connector and running Mac OS X and Windows Vista, Vista x64, XP, XP x64, 2000, Server 2003, or Server 2003 x64, support the USB interface.*
- ❑ *Your computer must support USB 2.0 in order to use USB 2.0 as the interface to connect your computer to the printer.*
- ❑ *Since USB 2.0 is fully compatible with USB 1.1, USB 1.1 can be used as an interface.*

Ethernet interface

You can use an IEEE 802.3 100BASE-TX/10BASE-T straight-through shielded, twisted-pair interface cable with an RJ45 connector.

Options and Consumable Products

Optional paper cassette unit

Product code:	C12C802291
Paper size:	A4, A5, B5, Letter (LT), Executive (EXE), Legal (LGL), Government Legal (GLG)
Paper weight:	60 to 105 g/m ² (16 to 28 lb)
Paper feed:	One paper cassette mounted Automatic feed delivery system Cassette capacity up to 550 sheets
Paper types:	Plain paper, Semi-Thick paper, EPSON Color Laser Paper
Power supply:	DC 24V / 1.0 A and DC 3.3 V / 0.2 A supplied by the printer
Model:	KEA-2*
Dimensions and weight:	
Height:	138 mm (5.4 in.)
Width:	400 mm (15.7 in.)
Depth:	492 to 568 mm (19.4 to 22.4 in.)
Weight:	7.8 kg (17.2 lb) including cassette

* This product conforms to CE marking requirements in accordance with EC Directive 2004/108/EC.

Duplex Unit

Product code:	C12C802301
Paper size:	A4, A5, B5, Letter (LT), Executive (EXE), Legal (LGL), Government Legal (GLG)
Paper weight:	64 to 163 g/m ² (17 to 43 lb)
Paper feed:	Automatic feed delivery system
Paper types:	Plain paper, Semi-Thick paper, Thick paper, EPSON Color Laser Paper
Power supply:	DC 24V / 1.0 A and DC 3.3 V / 0.2 A supplied by the printer
Model:	KEA-3*
Dimensions and weight:	
Height:	80 mm (3.1 in.)
Width:	283 mm (11.1 in.)
Depth:	320 mm (12.6 in.)
Weight:	1.1 kg (2.4 lb)

* This product conforms to CE marking requirements in accordance with EC Directive 2004/108/EC.

Memory modules

Make sure that DIMM you purchase is compatible with EPSON products. For details, contact the store where you purchased this printer or the EPSON sales company.

Memory size:	128 MB, 256 MB, or 512 MB
--------------	---------------------------

Imaging cartridge

Product Code/Model:	High Capacity Imaging Cartridge (Yellow)	1158
	High Capacity Imaging Cartridge (Magenta)	1159
	High Capacity Imaging Cartridge (Cyan)	1160
	High Capacity Imaging Cartridge (Black)	1161
	Standard Capacity Imaging Cartridge (Yellow)	1162
	Standard Capacity Imaging Cartridge (Magenta)	1163
	Standard Capacity Imaging Cartridge (Cyan)	1164
	Standard Capacity Imaging Cartridge (Black)	1165
Storage temperature:	0 to 35°C (32 to 95°F)	
Storage humidity:	15 to 80% RH	

* This product conforms to CE marking requirements in accordance with EC Directive 2004/108/EC.

Fuser unit

Product code:	3026 (110 - 120 V) 3025 (220 - 240 V)*
Storage temperature:	0 to 35°C (32 to 95°F)
Storage humidity:	15 to 80% RH

* This product conforms to CE marking requirements in accordance with EC Directive 2004/108/EC.

Transfer unit

Product code:	3024*
Storage temperature:	0 to 35°C (32 to 95°F)
Storage humidity:	15 to 80% RH

* This product conforms to CE marking requirements in accordance with EC Directive 2004/108/EC.

Index

Numerics

1239X menu, 169

A

Available paper, 262

C

Canceling printing, 185, 249

from printer driver (Macintosh), 132

from printer driver (Windows), 90

Color Regist menu, 157

Color registration, 185, 222

Confidential Job menu, 158, 183

Consumables

replacement messages, 202

replacing the fuser unit, 207

replacing the imaging cartridge, 202

replacing the transfer unit, 213

specifications (fuser unit), 270

specifications (imaging cartridge), 270

specifications (transfer unit), 270

Contacting Epson, 255

Control panel, 185

overview, 25

Control panel menus

1239X, 169

about, 146

color regist, 157

confidential job, 158, 183

emulation, 151

ESCP2, 164

FX, 167

how to access, 146

information, 147

network, 160

panel settings, 146

password config, 171

PCL, 161

printing, 151

PS3, 163

quick print job, 158, 182

reserve job data, 182

reset, 157

setup, 153

tray, 150

USB, 159

Custom paper size

printer settings, 47

D

Duplex printing manually (Macintosh), 119

Duplex printing manually (Windows), 56

Duplex Unit

how to install, 191

how to remove, 195

specifications, 269

E

Emulation menu, 151

Envelopes

printer settings, 44

Epson color laser coated paper

printer settings, 44

Epson color laser paper

printer settings, 42

Epson color laser transparencies

printer settings, 43

EPSON Status Monitor

About EPSON Status Monitor (Windows), 81

Accessing EPSON Status Monitor (Macintosh), 126

Accessing EPSON Status Monitor (Windows), 80

Consumables Information (Windows), 83

Consumables Information Tab (Macintosh), 128

Getting printer simple status (Windows), 81

Getting printer status details (Windows), 82

Installing EPSON Status Monitor (Windows), 77

Job Information (Windows), 84

Job Information Tab (Macintosh), 129

Monitoring Your Printer Using EPSON Status Monitor (Macintosh), 126

Monitoring Your Printer Using EPSON Status Monitor (Windows), 77

Notice Settings (Windows), 86

Order Online, 88

Status Tab (Macintosh), 127

Tray Icon Settings, 89

ESCP2 menu, 164

Ethernet, 267

F

Features

- Adobe PostScript 3 Mode, 28
- High-speed tandem printing engine, 27
- PCL Emulation Mode, 28
- Pre-defined color settings in printer driver, 27
- Resolution Improvement Technology and Enhanced MicroGray technology, 27
- Toner save mode, 27
- Wide variety of fonts, 28

Fuser unit

- specifications, 270

FX menu, 167

G

Guides

- Font Guide, 21
- Network Guide, 21
- Online Help, 21
- Paper Jam Guide, 21
- Setup Guide, 21
- User's Guide, 21

H

Headers and footers

- how to use (Macintosh), 117
- how to use (Windows), 66

Help

- Epson, 255

I

Imaging cartridge, 202

- specifications, 270

Information menu, 147

Installing options

- duplex unit, 191
- installing a memory module, 196
- installing the duplex unit, 191
- installing the paper cassette unit, 187
- memory module, 196
- paper cassette unit, 187
- removing a memory module, 201
- removing the duplex unit, 195
- removing the paper cassette unit, 191

Installing the PostScript printer driver for the network interface (Windows), 137

Installing the PostScript printer driver for the USB interface (Windows), 135

Interfaces

- ethernet, 267
- USB, 267

L

Labels

- printer settings, 46

Loading paper

- MP tray, 37
- optional paper cassette unit, 38
- standard lower cassette, 38

M

Maintenance

- consumables, 202, 207, 213
- printer, 218
- printer (inside of the printer), 219

Memory module

- how to install, 196
- how to remove, 201
- specifications, 269

MP tray

- available paper, 34
- loading paper, 37

N

Network menu, 160

O

Optional paper cassette unit

- available paper, 35
- how to install, 187
- how to remove, 191
- loading paper, 38
- specifications, 268

Options

- specifications (duplex unit), 269
- specifications (memory module), 269
- specifications (optional paper cassette unit), 268

Output tray, 41

Overlay

- different printer settings (Windows), 71

- how to create (Windows), 67
- how to print (Windows), 70
- how to use (Windows), 67

P

- Paper
 - available paper, 262
 - custom size paper, 47
 - envelopes, 44
 - Epson color laser coated paper, 44
 - Epson color laser paper, 42
 - labels, 46
 - printable area, 263
 - thick paper and extra thick paper, 47
 - transparencies, 43
 - unavailable paper, 262
- Paper jams
 - how to clear, 224
- Paper sources
 - MP tray, 34
 - optional paper cassette unit, 35
 - selecting a paper source (control panel), 36
 - selecting a paper source (printer driver), 36
 - standard lower cassette, 35
- Password config menu, 171
- PCL menu, 161
- PCL printer driver
 - about the PCL Mode, 144
 - hardware requirements, 144
 - system requirements, 144
- PostScript printer driver
 - Accessing the PostScript printer driver (Macintosh), 142
 - Accessing the PostScript printer driver (Windows), 138
 - hardware requirements, 134
 - Installing the PostScript printer driver for Mac OS X users, 140
 - Selecting a printer in a network environment for Mac OS X users, 141
 - system requirements (Macintosh), 134
 - system requirements (Windows), 134
- PostScript printer driver settings
 - Making changes to PostScript printer settings (Macintosh), 142
 - Making changes to PostScript printer settings (Windows), 139
 - Using AppleTalk under Windows 2000, 139
- Predefined print settings
 - Using the predefined settings (Macintosh), 105
 - Using the predefined settings (Windows), 52
- Printer
 - cleaning, 218
 - cleaning (inside of the printer), 219
 - consumable products, 26
 - electrical, 266
 - environmental, 265
 - general, 264
 - How to adjust color registration, 185, 222
 - mechanical, 265
 - optional products, 26
 - parts (front view), 22
 - parts (inside), 24
 - parts (rear view), 23
 - standard and approvals, 266
 - transporting, 221
 - transporting (long distance), 222
 - transporting (short distance), 223
- Printer driver
 - About the Printer Software (Macintosh), 103
 - About the Printer Software (Windows), 49
 - Accessing the printer driver (Macintosh), 103
 - Accessing the printer driver (Windows), 49
 - Uninstalling the printer driver (Windows), 91
 - Uninstalling the Printer Software (Macintosh), 132
- Printer driver settings
 - automatically resizing printout (Windows), 62
 - Canceling Printing (Macintosh), 132
 - Canceling Printing (Windows), 90
 - Confidential Job (Macintosh), 124
 - Confidential job (Windows), 76
 - Creating an overlay (Windows), 67
 - customizing print settings (Macintosh), 107
 - customizing print settings (Windows), 53
 - different printer settings overlay data (Windows), 71
 - Duplex printing (Macintosh), 118
 - Duplex printing (Windows), 55
 - Making a new watermark (Macintosh), 112
 - Making a new watermark (Windows), 65
 - Making Extended Settings (Macintosh), 121
 - Making Extended settings (Windows), 71
 - Making Optional settings (Windows), 71
 - Printing with an overlay (Windows), 70
 - Printing with the Duplex Unit (Macintosh), 118
 - Printing with the Duplex Unit (Windows), 55
 - print layout (Macintosh), 109
 - print layout (Windows), 60
 - print quality (Macintosh), 104

print quality (Windows), 50
 print settings (Macintosh), 105
 print settings (Windows), 52
 Re-Print Job (Macintosh), 122
 Re-Print Job (Windows), 73
 Reserve Job (Macintosh), 121
 Reserve Job (Windows), 72
 resizing printout (Macintosh), 108
 resizing printout (Windows), 62
 saving (Macintosh), 107
 saving (Windows), 54
 Setting Up the USB Connection (Macintosh), 131
 Setting Up the USB connection (Windows), 89
 Using an overlay (Windows), 67
 Using a watermark (Macintosh), 110
 Using a watermark (Windows), 63
 Using headers and footers (Macintosh), 117
 Using headers and footers (Windows), 66
 Verify Job (Macintosh), 123
 Verify job (Windows), 74
 Printing menu, 151
 Print layout
 Modifying the print layout (Macintosh), 109
 Modifying the print layout (Windows), 60
 Print quality settings
 Making the print quality settings (Macintosh), 104
 Making the print quality settings (Windows), 50
 Problems, solving
 contacting Epson, 255
 PS3 menu, 163

Q

Quick Print Job menu, 158, 182

R

Relocating the printer, 221
 Reserve job data, 182
 Reset menu, 157
 Resizing page
 Resizing pages by a specified percentage (Windows), 62
 Resizing printouts (Macintosh), 108
 To automatically resize pages to fit the output paper (Windows), 62

S

Saving customized settings
 Saving your settings (Macintosh), 107

 Saving your settings (Windows), 54
 Service, 255
 Setup menu, 153
 Sharing the printer
 For Mac OS X users, 133
 Installing the printer driver from the CD-ROM (Windows), 101
 Setting up clients (Windows), 98
 Sharing the printer (Macintosh), 133
 Sharing the printer (Windows), 93
 Using an additional driver (Windows), 94
 Standard lower cassette
 available paper, 35
 loading paper, 38
 Status and error messages, 171
 Status sheet
 how to print, 184, 237

T

Thick paper and extra thick paper
 printer settings, 47
 Transfer unit
 specifications, 270
 Transparencies
 printer settings, 43
 Transporting the printer (long distance), 222
 Transporting the printer (short distance), 223
 Tray menu, 150
 Troubleshooting, 171, 184, 224, 237, 249
 color printing problems, 241
 memory problems, 245
 operational problems, 237
 options, 246
 paper handling problems, 246
 PCL6 mode, 253
 PostScript 3 mode, 250
 print quality problems, 242
 USB problems, 248

U

Unavailable paper, 262
 USB, 267
 USB menu, 159

W

Watermark (Macintosh)
 how to make, 112

how to use, 110
Watermark (Windows)
how to make, 65
how to use, 63

Free Manuals Download Website

<http://myh66.com>

<http://usermanuals.us>

<http://www.somanuals.com>

<http://www.4manuals.cc>

<http://www.manual-lib.com>

<http://www.404manual.com>

<http://www.luxmanual.com>

<http://aubethermostatmanual.com>

Golf course search by state

<http://golfingnear.com>

Email search by domain

<http://emailbydomain.com>

Auto manuals search

<http://auto.somanuals.com>

TV manuals search

<http://tv.somanuals.com>