

# IDL 530

# IDL 535

Dishwasher  
**Installation and use**





# Safety Is a Good Habit to Get Into

## NOTICE

Carefully read the instructions contained in this manual, as they provide important information which is essential to safe and proper installation, use and maintenance of the appliance.

**CE** This appliance complies with the following EEC directives:

- 73/23/EEC of 19/02/73 (Low Voltage) and subsequent modifications;

- 89/336/EEC of 03/05/89 (Electromagnetic Compatibility) and subsequent modifications.

- 97/17/EEC Labelling

- 2002/96/EC (Waste Electrical and Electronic Equipment)

1. Carefully dispose of the packing material.

2. After removing the packing, check to make sure that the appliance is not damaged. If in doubt, contact a qualified professional.

3. The dishwasher must only be used by adults for the washing of household dishes and cooking utensils.

4. Fundamental rules to follow when using the appliance:

- Never touch the dishwasher when barefoot or with wet hands or feet;

- We discourage the use of extension cords and multiple sockets;

- During installation, the power supply cord must not be excessively or dangerously bent or flattened;

- If the appliance is not operating properly or maintenance

must be performed, disconnect the appliance from the power supply.

5. Keep detergents out of the reach of children, who must also be kept away from the dishwasher when it is open.

6. This appliance cannot be installed outdoors, not even if the area in which it is installed is covered by a roof; it is also very dangerous to leave it exposed to the rain and elements.

7. Do not touch the heating element during or after a wash cycle.

8. Do not lean or sit on the door when it is open, as this could overturn the dishwasher.

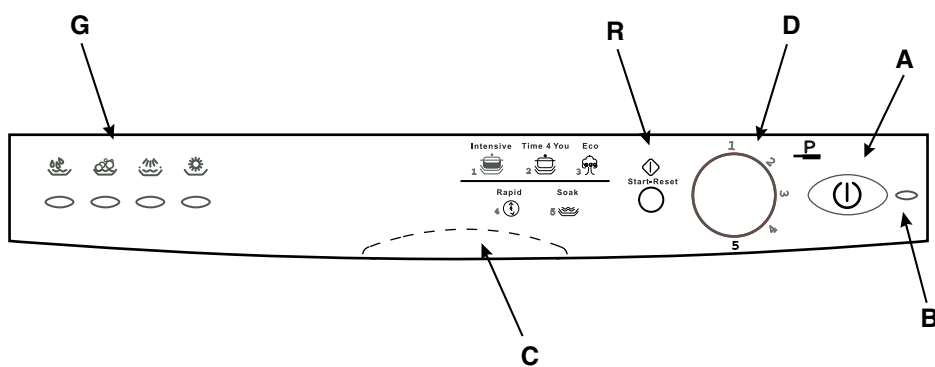
9. If the appliance malfunctions, turn off water supply to the appliance and disconnect the plug from the wall socket. Then, consult the section entitled, "Troubleshooting." If you cannot resolve the problem, contact a service centre.

10. Appliances which are no longer being used must be made inoperable by cutting the power supply cord and removing the door lock.

To maintain the **EFFICIENCY** and **SAFETY** of this appliance, we recommend:

- call only the Service Centers authorized by the manufacturer
- always use original Spare Parts

## Close-up View (control panel)



**A** ON - OFF Button

**B** ON - OFF Light

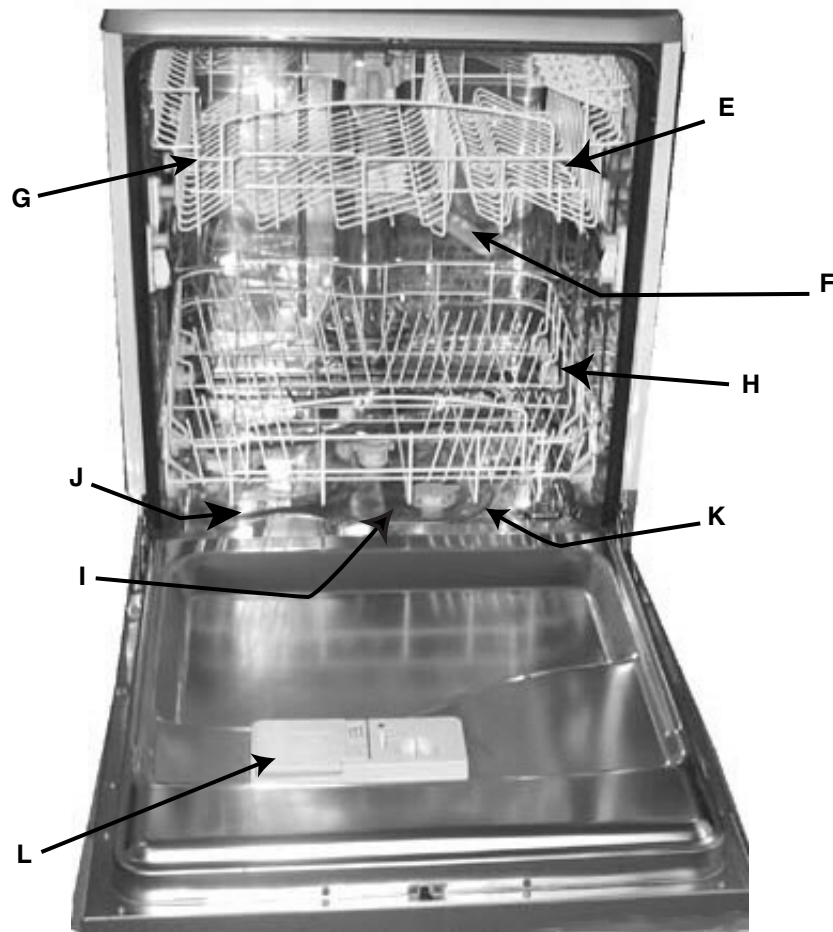
**C** Handle For Opening Door

**D** Knob For Selecting Cycles

**G** Cycle phase indicator lights

**R** Start/Reset Button

## Close-up View (Interior)



**E** Upper Rack

**F** Top Sprayer Arm

**G** Rack Height Adjustor

**H** Lower Rack

**I** Bottom Sprayer Arm

**J** Salt Container Cap

**K** Washing Filter

**L** Detergent and Rinse Aid Dispenser

Technical characteristics	
Width	cm. 60
Depth	cm. 60
Height	cm. 85
Capacity	12 standard place settings
Mains water pressure	4,3 psi - 145 psi (30 KPa ÷ 1MPa) (0,3 ÷ 10 bar)
Power voltage	See data plate
Total absorber power	See data plate
Fuse	See data plate

# Salt .....

## Salt

The hardness of the water varies from place to place. If hard water is used in the dishwasher, deposits will form on the dishes and utensils.

The appliance is equipped with a special softener that uses a salt specifically designed to eliminate lime and minerals from the water.

### Loading the Salt into the Softener

Always use salt intended for use with dishwashers. The salt container is located beneath the lower rack and should be filled as follows:



1. Remove the lower rack and then unscrew and remove the cap from the salt container;

2. If you are filling the container for the first time, fill it with water;

3. Place the end of the funnel (supplied) into the hole and introduce about 2 kg of salt. It is normal for a small amount of water to come out of the salt container.

4. Carefully screw the cap back on.

**The salt container should be filled after about every 30 wash cycles.**

**Warning:** To prevent rust from forming, we advise you to load the salt **before** starting a wash cycle.

## Adjusting Salt Consumption

The dishwasher is designed to allow for adjusting the amount of salt consumed based on the harness of the water used.

This is intended to optimize and customize the level of salt consumption so that it remains at a minimum.

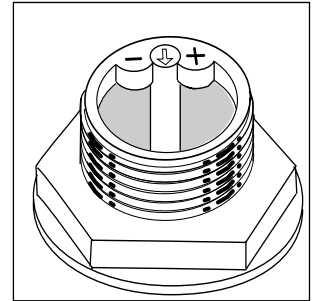
Your Local Water Board can supply the degree of hardness of the water in your area.

To adjust salt consumption, proceed as follows:

1) Unscrew the cap from the salt container.

2) There is a ring on the container with an arrow on it (see figure to the side), if necessary, rotate the ring in the anti-clockwise direction from the "-" setting towards the "+" sign, based on the hardness of the water being used.

It is recommended that adjustments be made in accordance with the following schema:



Water Hardness					
Clarke degrees	°fH	mmol/l	Selector position	Salt consumption (grams/cycle)	Autonomy (cycles/2-kg)
0 - 14	0 - 17	0 - 1,7	/	0	/
14 - 36	18 - 44	1,8 - 4,4	"-"	20	60
36 - 71	45 - 89	4,5 - 8,9	MED	40	40
>71	> 89	> 8,9	"+"	60	25

# Detergent and Rinse Aid ....

## Detergent

Detergent specifically intended for use with dishwashers must be used. The dispenser must be refilled before the start of each wash cycle following the instructions provided in the "Wash Cycle Table." The detergent dispenser is located on the inside panel of the door.

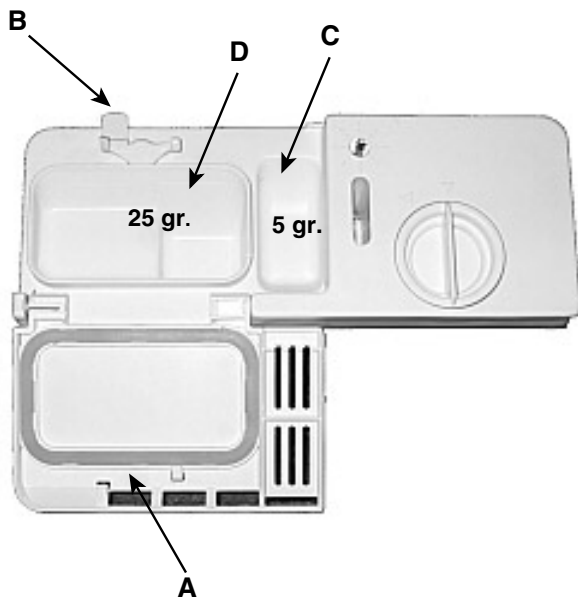
## Loading the detergent

To open lid "A", press button "B". The cleaning detergent should be introduced into the two containers "C" and "D" up to the rim.

After pouring in the detergent, replace the lid, pressing down until it clicks.

Dishwasher detergent in tablets is now available on the market, in which case you should place one tablet into container "D" and replace the lid.

**Notice:** To facilitate closing the cover, remove any excess detergent on the edges of the dispenser.

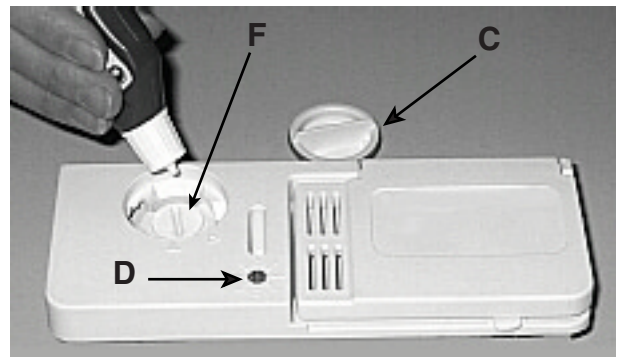


## Rinse Aid

This product makes dishes sparkle more as it improves their drying. The rinse aid container is situated on the inside of the appliance door; you should refill it when you see the container is empty by means of indicator "D".

## Loading the Rinse Aid

To open the dispenser, turn the "C" cap in the anti-clockwise direction and then pour in the rinse aid, making sure not to overfill. The amount of rinse aid used for each cycle can be regulated by turning the "F" dose adjuster, located beneath the "C" cap, with a screwdriver. There are 6 different settings; the normal dosage setting is 4.



## Important:

*Proper dosage of the rinse aid improves drying. If drops of water remain on the dishes or spotting occurs, the dosage adjuster should be turned to a higher setting. If the dishes have white streaks, turn the dosage adjuster to a lower setting.*

## Warning

*Three-in-one dishwasher tablets are now available on the market, and combine detergent, salt and rinse aid all in one. If the water in your area is hard or very hard, we still recommend you pour extra salt into the relevant dispenser to prevent the formation of white streaks on your dishes or on the interior of the appliance.*

*Using a three-in-one product means it is no longer necessary to put rinse aid into the relevant container.*

*If you want to achieve perfectly dry dishes, you may add rinse aid as long as the dosage adjuster is set to no.2.*

*In any case, please read the manufacturer's instructions on the packet.*

# Loading the Dishwasher

Before placing the dishes in the dishwasher, remove the larger food particles to prevent the filter from becoming clogged, which results in reduced performance.

If the pots and pans have baked-on food that is extremely hard to remove, we recommend that they be allowed to soak before they are washed. This will eliminate the need for extra wash cycles.

Pull out the racks to facilitate loading the dishwasher.

## How to Use the Lower Rack

We recommend that you place the most difficult to clean items on the bottom rack: pots, pans, lids, serving dishes and bowls, as shown in the figure to the right.

It is preferable to place serving dishes and lids on the sides of the racks in order to avoid blocking the rotation of the top spray arm.

- Pots, serving bowls, etc. must always be placed top down.

- Deep pots should be slanted to allow the water to flow out.

- This basket is equipped with two removable grids: insert the cutlery one by one into the slots; knives and utensils with sharp blades or tips should be positioned with the sharp parts at the bottom. Position all cutlery items so that they don't touch.

If the rack has side baskets, the spoons should be loaded individually into the appropriate slots (see fig. A-B).

- Especially long utensils should be placed in the horizontal position at the front of the upper rack.

## How to Use the Upper Rack

The upper rack is designed to hold more delicate and lighter dishware, such as glasses, coffee and tea cups and saucers, as well as plates, small bowls and shallow pans (as long as they are not too dirty).

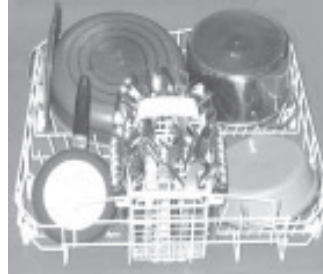
- Position the dishes and cookware so that they do not get moved by the spray of water.

## How to adjust the Upper rack ...

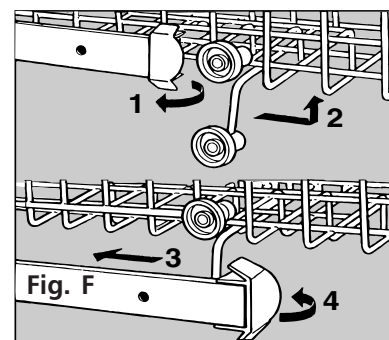
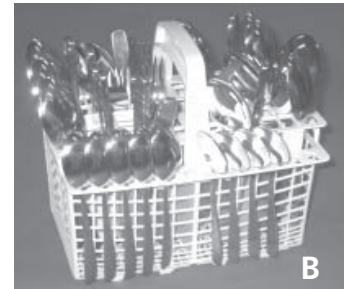
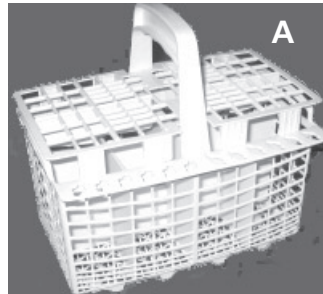
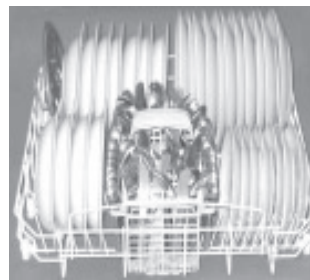
The top rack can be adjusted using the two rack heights (top and bottom). To adjust the rack, open up the tabs that lock the guides and pull out the rack. Arrange the rack with the back wheels in either the top or bottom position and then insert it along the guides until the front wheels are on as well. Close the tabs to lock the rack in place (see Fig. F).

## Load examples

Bottom Rack



Top Rack



# Turning on the Appliance

## First of all.

Turn on the water tap completely and press ON-OFF button "A". you will hear a short beep and indicator light "B" lights up.

Now the appliance is on and awaiting instructions.

## Starting and selecting the cycle.

Turn the cycle selector knob "D" clockwise until the reference notch on the knob corresponds with the number or symbol for the cycle you wish to set (consult the wash cycle table on page 7, especially when first using the appliance).

If the appliance door is shut, press the Start button "R" and you will hear a beep; the cycle will start up within a few seconds.

## Cycle phase indicator lights

The dishwasher is provided with 4 indicator lights "G" which come on in sequence as the appliance is performing that specific phase of the wash cycle.

These phases are:



pre-wash, wash, rinses, drying

## Cancelling or modifying a wash cycle in progress.....

*Premise:* You can cancel the wash cycle in progress, if it has only just started.

To modify a wash cycle, keep the RESET button "R" pressed for about 5 seconds: a prolonged beep will sound, followed by three short beeps. Indicator light "G" will turn off and at this point, all the settings will have been cancelled.

To select a new wash cycle, repeat the operations illustrated in the paragraph entitled "starting and selecting the cycle"

**Warning:** the knob must be turned clockwise from wash cycle 1 to 5, an anti-clockwise from wash cycle 5 to 1.

## If you have left out a dish...

You can interrupt a wash cycle by pressing the ON-OFF button, then place the dishes you had left out into the appliance, which will start up from where it was interrupted when you turn it back on.

## There's been a power failure? Have you opened the dishwasher door?

The wash cycle stops and then restarts when the electricity comes back on or when the door is shut.

## At the end of the wash cycle....

The end of the wash cycle is indicated by two short beeps and the flashing of the drying phase indicator light.

- Turn the appliance off by pressing button "A", unplug the appliance from the electricity socket to cut off the power supply; the power supply cable should consequently be easily accessible.

- Turn off the water tap.
- Wait a few minutes before unloading the dishes: if you wait a little while, they dry better thanks to the steam.
- Empty the lower rack first.

*Warning:* when you open the dishwasher door after the wash cycle has just ended or is under way, take care not to scald yourself with the hot steam.



# Wash Cycle Table

Dishwasher washing guarantees your dishes will be cleaned in a hygienic setting for safer, cleaner results.

Cycle	Cycle selection instructions	Cycle description	Detergent for pre-wash + wash	Rinse Aid	Wash cycle duration (tolerance $\pm 10\%$ )
<b>1) Intensive</b>	Very dirty dishes and pans (not to be used for delicate items).	Pre-wash with hot water at 40°C Wash at 65°C. 2 cold rinses Rinse with hot water at 70°C. Drying.	<b>5+25 gr.</b>	*	<b>120'</b>
<b>2) Time4You</b>	Normally dirty pans and dishes. Standard daily cycle.	Wash at 50°C. Cold rinse Rinse with hot water at 70°C. Drying.	<b>30 gr.</b>	*	<b>88'</b>
<b>3) Eco</b>	Environmentally-friendly cycle, with low energy consumption levels, suitable for normally dirty pans and dishes.	2 Cold pre-washes Wash at 50°C Hot rinse at 65°C Drying	<b>5 + 25 g</b>	*	<b>145'</b>
<b>4) Rapid 25'</b>	Economic and fast cycle to be used for slightly dirty dishes. Run cycle immediately after use. No drying.	Short wash at 47°C. Rinse with hot water at 62°C.	<b>25 gr.</b>		<b>25'</b>
<b>5) Soak</b>	Preliminary wash cycle for dishes and pans awaiting completion of the load with the dishes from the next meal.	Short cold wash to prevent food from drying onto the dishes.			<b>12'</b>

## Energy Saving Tips

- It is important to try and run the dishwasher when it is fully loaded in order to save on energy. In order to prevent odors from forming and food from caking onto the dishes, you can run the hold cycle.

- Choose the right wash cycle: the choice of cycle depends on the type of dishware, cookware and utensils being washed and how dirty they are.

- Use the right amount of detergent: if you use too much detergent, the result will not be cleaner dishes, but, rather, a greater negative impact on the environment.

- There is no utility in rinsing dishes, cookware and utensils before placing them in the dishwasher.

## How to Keep Your Dishwasher in Shape

### After Every Wash

After every wash, turn off the water supply to the appliance and leave the door slightly ajar so that moisture and odors are not trapped inside.

### Remove the Plug

Before cleaning or performing maintenance, always remove the plug from the socket. Do not run risks.

### No Solvents or Abrasive Cleaning Products

To clean the exterior and rubber parts of the dishwasher, do not use solvents or abrasive cleaning products. Rather, use only a cloth and warm soapy water.

To remove spots or stains from the surface of the interior, use a cloth dampened with water and a little white vinegar, or a cleaning product made specifically for dishwashers.

### When You Go on Holiday

When you go on holiday, it is recommended that you run a wash cycle with the dishwasher empty and then remove the plug from the socket, turn off the water supply and leave the door of the appliance slightly ajar. This will help the seals last longer and prevent odors from forming within the appliance.

### Moving the Appliance

If the appliance must be moved, try to keep it in the vertical position. If absolutely necessary, it can be positioned on its back.

### Seals

One of the factors that cause odors to form in the dishwasher is food that remains trapped in the seals. Periodic cleaning with a damp sponge will prevent this from occurring.

## Disposal of old electrical appliances

The European Directive 2002/96/EC on Waste Electrical and Electronic Equipment (WEEE), requires that old household electrical appliances must not be disposed of in the normal unsorted municipal waste stream. Old appliances must be collected separately in order to optimise the recovery and recycling of the materials they contain and reduce the impact on human health and the environment.

The crossed out "wheeled bin" symbol on the product reminds you of your obligation, that when you dispose of the appliance it must be separately collected.

Consumers should contact their local authority or retailer for information concerning the correct disposal of their old appliance.

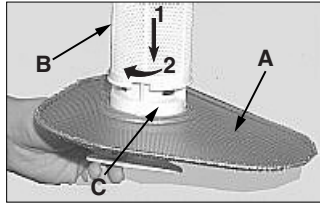


# Cleaning and Special Maintenance

## The filter assembly

If you want consistent good results from your dishwasher, you need to clean the filter assembly.

The food particles are removed from the wash water, allowing it to be recirculated during the cycle, filtered perfectly. For this reason, it is a good idea to remove the larger food particles trapped inside the cup "C" and the semi-circular filter A after each wash; pull the cup handle upwards to remove them. Just rinse them under running water.



The entire filter assembly should be cleaned thoroughly once a month: cup C + semi-circular filter A + cylindrical filter B. Rotate filter "B" anticlockwise to remove it.

For cleaning, use a non metallic brush.

Reassemble the filter parts (as shown in the figure) and reinsert the whole assembly into the dishwasher. Position it into its housing and press downwards.

The dishwasher is not to be used without filters. Improper replacement of the filters may reduce the efficiency of the wash and even damage your dishwasher.

## Cleaning the sprayer arms.

Food residue may become encrusted onto the sprayer arms and block the holes where water comes out. Check the sprayer arms regularly and clean them once in a while (letters F and I "How is it made?").



# Troubleshooting

It may occur that the dishwasher does not function or does not function properly. Before calling for assistance, let us see what can be done first: have you forgot to press one of the buttons or to perform an essential operation?

## The Dishwasher Does Not Start

Have you checked whether:

- the plug is pushed into the socket correctly;
- the power is on in the house;
- the door is closed properly;
- the ON-OFF switch is on "ON";
- the water supply is turned on.

## The Dishwasher Does Not Load Water

Have you checked whether:

- the water is turned on and the hose is connected properly;
- the water supply to the house is on and has sufficient pressure;
- the water supply hose is crimped or bent;
- the filter for the water supply hose is clogged.

## The Dishes Are Not Clean

Have you put the right amount of detergent into the dispenser? Is the wash cycle suitable for the dishes you have placed inside the appliance?

Are the filter and microfilter clean?

Can the sprayer arms turn freely?

## The Dishwasher Does Not Drain

Have you checked whether:

- the drain hose is crimped or bent.

## Lime Deposits or a White Film Form on the Dishes

Have you checked whether:

- the lid to the salt container is closed properly;
- the rinse aid dosage is correct.

## Error messages.

Your dishwasher is equipped with a safety system which is able to detect any operating anomalies. These anomalies are reported by one or two wash cycle indicator lights "G" flashing rapidly.

Take a note of which lights are flashing, turn the appliance off and call for technical assistance.

## Tap off alarm

If you have forgotten to turn the water tap on, your appliance will remind you of this by sounding a few short beeps for a few minutes. Turn the tap on and your appliance will start up again after a few minutes. Were you to be absent when these beeps are sounded, the appliance will be blocked automatically and indicator lights 2 and 3 (wash and rinses) will flash rapidly. Turn the appliance off at the ON-OFF button, turn on the water tap and wait approximately 20 seconds before turning the appliance back on; repeat the programming operations and the selected wash cycle will start up again.

## Clogged filter alarm

If the appliance is blocked and indicator lights 1 (pre-wash) and 3 (rinses) flash rapidly, this means the filter is clogged by large particles of food residue. Turn the appliance off, clean the filter thoroughly and reposition it in its seat as illustrated on this page. Then turn it back on. Repeat the programming operations and the wash cycle will start up again.

## Water load solenoid valve malfunction alarm.

If indicator light 2 (wash) flashes rapidly, TURN the dishwasher OFF AND BACK ON AGAIN after one minute. If the alarm persists, first turn off the water tap to avoid any flooding and then cut off the electricity supply and call for technical assistance.

If, despite all these checks, the dishwasher still does not function and/or the problem persists, contact the nearest authorised service centre and provide them with the following information:

- the nature of the problem;
- the model type number (Mod. ...) and the serial number (S/N ...), which are indicated on the plate located on the side of the inner part of the door.

**Never call on unauthorised technicians and refuse to allow parts to be installed that are not original spare parts.**

# Installation

## Positioning the Appliance

Position the appliance in the desired location. The back should rest against the wall behind it, and the sides, along the adjacent cabinets or wall. The dishwasher is equipped with water supply and drain hoses that can be positioned to the right or the left to facilitate proper installation.

## Levelling the Appliance

Once the appliance is positioned, adjust the feet (screwing them in or out) to adjust the height of the dishwasher, making it level. In any case, the appliance should not be inclined more than 2°.

If the appliance is level, it will help ensure proper performance.

*This dishwasher model can be built under a single worktop (please read the relevant instruction sheet).*

## Anti-flooding protection

Your dishwasher is provided with a special system which blocks the water supply in the event of leaks inside the appliance.

## Cold water connection.

This electric household appliance should be connected to the water mains using the cold water supply hose provided with the appliance only. Do not use a different hose. In the event of replacements, use original spare parts only.

Connect the cold water supply hose to a 3/4 gas threaded connection, taking care to screw it tightly onto the tap.

If the water hoses are new or have been out of use for an extended period of time, let the water run to make sure it is clear and free of impurities before making the connection. If this precaution is not taken, the water inlet could get blocked, causing damage to your dishwasher.

## Hot Water Connection

The water supply to the appliance can also be connected to the house's hot water line (centralised system, heating system), as long as it does not exceed a temperature of 60° C.

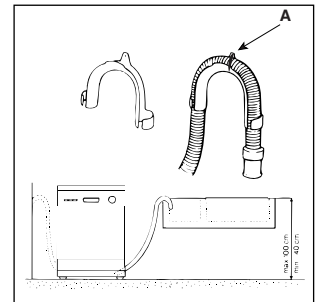
In this case, the wash cycle time will be shortened by about 15 minutes and the wash efficiency slightly reduced.

The connection must be made to the hot water line following the same procedures as those for the connection to the cold water line.

## Drain Hose Connection

Fit the drain pipe into a drain line with a minimum diameter of 4 cm or place it over the sink.

Avoid restricting or bending it. Use the special plastic elbow provided (see figure) to position it in the best possible way. The part of the pipe marked with the letter A should be between 40 and 100 cm above the ground. The pipe should not be immersed in water.



## Electrical Connection

After making sure that the voltage and frequency values for the current in the home correspond to those on the rating plate (located on the stainless steel inner door of the appliance) and that the electrical system is sized for the maximum voltage on the rating plate, insert the plug into an electrical socket which is earthed properly (the earthing of the appliance is a safety requirement mandated by law). If the electrical socket to which the appliance must be connected is not appropriate for the plug, replace the plug, rather than using adaptors or the like as they could cause overheating and burns.

*Should the electricity supply cable be damaged, we recommend that you only contact authorised Technical Service Centres for the replacement.*

**Caution:** the dishwasher plug must be accessible even when the appliance is installed as a built-in unit so that maintenance can be done safely.

### Electrical Connection

If your appliance is supplied with a 13 amp. fused plug it can be plugged into a 13 amp socket for immediate use. Before using the appliance please read the instruction below.

**WARNING: THIS APPLIANCE MUST BE EARTHED. THE FOLLOWING OPERATIONS SHOULD BE CARRIED OUT BY A QUALIFIED ELECTRICIAN.**

### Replacing the fuse:

When replacing a faulty fuse, a 13 amp ASTA approved fuse to BS 1362 should always be used, and the fuse cover re-fitted. If the fuse cover is lost, the plug must not be used until a replacement is obtained.

### Replacement fuse covers:

If a replacement fuse cover is fitted, it must be of the correct colours as indicated by the coloured marking or the colour that is embossed in words on the base of the plug. Replacements can be obtained directly from your nearest Service Depot.

### Removing the plug:

If your appliance has a non-rewireable moulded plug and you should wish to remove it to re-route the mains cable through partitions, units etc., please ensure that either:

- the plug is replaced by a fused 13 amp re-wireable plug bearing the BSI mark of approval
- or:
- the mains cable is wired directly into a 13 amp cable outlet, controlled by a switch, (in compliance with BS 5733) which is accessible without moving the appliance.

### Disposing of the plug:

Ensure that before disposing of the plug itself, you make the pins unusable so that it cannot be accidentally inserted into a socket.

### Instruction for connecting cable to an alternative plug:

Important: the wires in the mains lead are coloured in accordance with the following code:

Green & Yellow - **Earth**  
Blue - **Neutral**  
Brown - **Live**

### CAUTION:

The dishwasher plug must be accessible even when the appliance is installed as a built-in unit so that maintenance can be done safely.

As the colours of the wires in the mains lead may not correspond with the coloured markings identifying the terminal in your plug, proceed as follows: connect Green & Yellow wire to terminal marked "E" or coloured Green or Green & Yellow.

Connect Brown wire to terminal marked "L" or coloured Red.

Connect Blue wire to terminal marked "N" or coloured Black.

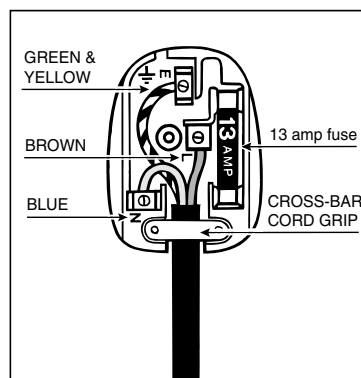
If a 13 amp plug (BS 1363) is used it must be fitted with a 13 amp fuse. A 15 amp plug must be protected by a 15 amp fuse, either in the plug or adaptor or at the distribution board.

If you are in any doubt about the electrical supply to your machine, consult a qualified electrician before use.

### How to connect an alternative plug:

The wires in this mains lead are coloured in accordance with the following code:

BLUE	"NEUTRAL" ("N")
BROWN	"LIVE" ("L")
GREEN AND YELLOW	"EARTH" ("E")



### Disposing of the appliance:

When disposing of the appliance please remove the plug by cutting the mains cable as close as possible to the plug body and dispose of it as described above.





**Indesit** Company  
Viale Aristide Merloni 47  
60044 Fabriano (AN) Italy  
Tel +39 0732 6611  
[www.indesit.com](http://www.indesit.com)

om-10/2005 - **195046798.03** - Xerox Business Services - DocuTech



## Free Manuals Download Website

<http://myh66.com>

<http://usermanuals.us>

<http://www.somanuals.com>

<http://www.4manuals.cc>

<http://www.manual-lib.com>

<http://www.404manual.com>

<http://www.luxmanual.com>

<http://aubethermostatmanual.com>

Golf course search by state

<http://golfingnear.com>

Email search by domain

<http://emailbydomain.com>

Auto manuals search

<http://auto.somanuals.com>

TV manuals search

<http://tv.somanuals.com>