

Built-in cooker
Installation and use

HGK 20.B
HGK 20.B IX

Cuisinière à encastrer
Installation et emploi

Elektrische inbouw-oven
Installatie en gebruik

Elektro Einbauherde
Installation und Gebrauch

Εντοιχιζόμενη κουζίνα
Εγκατάσταση και χρήση



 **INDESIT**

GB	Built-in electric cooker Instructions for installation and use	3
FR	Cuisinière électrique encastrable Instruction pour l'installation et l'emploi	12
NL	Elektrische Inbouwkeuken Gebruiksaanwijzingen voor de plaatsing en gebruik	21
DE	Einbau-Elektroherde Informationen für installation un gebrauch	30
GR	Εντοιχιζόμενη κουζίνα Εγκατάσταση και χρήση	39

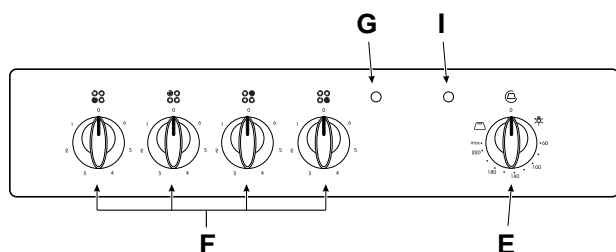
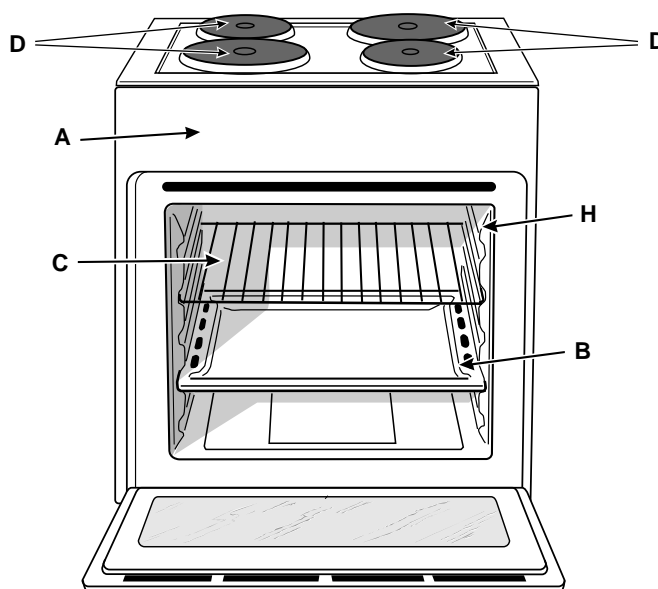
Indesit Company
viale Aristide Merloni, 47
60044 Fabriano (AN) Italy
tel. +39 0732 6611
www.indesit.com

Cucina da incasso elettrica
10/05 - 195036799.02 Xerox Business Services - Docutech

Congratulations on choosing an Indesit appliance, which you will find is dependable and easy to use. We recommend that you read the instructions in this owner's manual carefully before use for the best performance and to extend the life of your appliance, as it will provide you with all the instructions you require to ensure its safe installation, use and maintenance. Always keep this owner's manual close to hand since you may need to refer to it in the future. Thank you.

Close-up view

- A. Control Panel
- B. Dripping Pan or Baking Sheet
- C. Oven Rack
- D. Electric hotplate
- E. Cooking mode selection knob
- F. Electric hotplate knobs
- G. Electric hotplate indicator light
- H. Guides for sliding the racks or dripping pan in and out
- I. Oven indicator light (only on certain models) - When lit, it indicates the oven is heating up to the temperature set.



How to use your oven

The various features of this oven are controlled via the knobs and buttons located on the control panel.

Notice: The first time you use your appliance, we recommend that you set the thermostat to the highest setting and leave the oven on for about half an hour with nothing in it, with the oven door shut. Then, open the oven door and let the room air. The odour that is often detected during this initial use is due to the evaporation of substances used to protect the oven during storage and until it is installed.

Notice: Place the dripping pan provided on the bottom shelf of the oven to prevent any sauce and/or grease from dripping onto the bottom of the oven only when grilling food or when using the rotisserie (only available on certain models). For all other types of cooking, never use the bottom shelf and never place anything on the bottom of the oven when it is in operation because this could damage the enamel. Always place your cookware (dishes, aluminium foil, etc. etc.) on the grid provided with the appliance inserted especially along the oven guides.

The oven knob (E)

This knob is used not only to select the different oven modes, but also to choose the right cooking temperature from among the temperatures shown on the knob itself (from 60°C to 240°C) for the food to be cooked in the

oven. When the knob is turned clockwise, the oven light and the top and bottom heating elements will come on. You can choose the most suitable temperature for cooking your food from the range of values below (Convection Mode). To select the temperature, match the desired temperature with the fixed reference mark on the control panel.

60	•	100	•	140	•	180	•	220	Max
		80		120		160		200	240

The oven will automatically reach the temperature set, and the thermostat, which is controlled by the knob, will keep it constant.

Top Heating Element Position

Set the knob to this position and the oven light and top heating element come on.

The oven light

Set knob "E" to the symbol to turn it on. It lights the oven and stays on when any of the electrical heating elements in the oven come on.

The control knobs for the hob electric hotplates (F)

The cookers can be equipped with standard, rapid and automatic electric hotplates in a variety of combinations (the rapid hotplates can be distinguished from the rest by

the red boss in the centre of the same, and the automatic hotplates by the smaller circular aluminium plate in their centre).

To avoid any heat loss and damage to the hotplates, we advise you to use pans with a flat bottom, whose diameter is no less than that of the hotplate itself.

The table contains the different settings indicated on the knobs and the use for which the hotplates are recommended.

Setting	Normal or Fast Plate
0	Off
1	Cooking vegetables, fish
2	Cooking potatoes (using steam) soups, chickpeas, beans.
3	Continuing the cooking of large quantities of food, minestrone
4	For roasting (average)
5	For roasting (above average)
6	For browning and reaching a boil in a short time.

Before using the hot plates for the first time, you should heat them at maximum temperature for approximately 4 minutes, without any pans. During this initial stage, their protective coating hardens and reaches its maximum resistance.

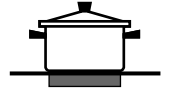
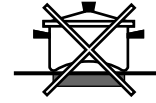
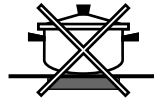
Electric hotplate indicator light (G)

This light comes on when any of the electrical hotplates on the hob have been turned on.

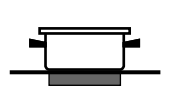
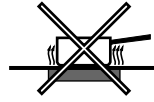
Using the hob

To get the best from your hob, here are a few helpful tips to keep in mind during cooking or when preparing food.

- Use flat-bottomed pans to ensure the same adhere fully to the cooking zone.



- Use pans whose diameter is sufficient to cover the hotplate fully, so as to guarantee the use of all the available heat.



- Make sure the bottom of the pan is always clean and dry, to ensure correct contact and a long life for your hotplates and pans.

How to Keep Your Oven in Shape

Before cleaning your oven, or performing maintenance, disconnect it from the power supply.

To extend the life of your oven, it must be cleaned frequently, keeping in mind that:

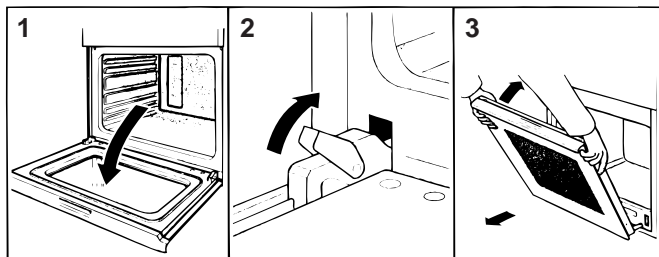
- **Do not use steam equipment to clean the appliance.**
- the enamelled or stainless steel parts should be washed with lukewarm water without using any abrasive powders or corrosive substances which could ruin them; Stainless steel could get stained. If these stains are difficult to remove, use special products available on the market. After cleaning, it is advisable to rinse thoroughly and dry.
- the inside of the oven should preferably be cleaned immediately after use, when it is still warm, with hot water and soap; the soap should be rinsed away and the interior dried thoroughly. Avoid using abrasive detergents (for example cleaning powders, etc...) and abrasive sponges for dishes or acids (such as limescale-remover, etc...) as these could damage the enamel. If the grease spots and dirt are particularly tough to remove, use a special product for oven cleaning, following the instructions provided on the packet.
- if you use your oven for an extended period of time, condensation may form. Dry it using a soft cloth.
- there is a rubber seal surrounding the oven opening which guarantees its perfect functioning. Check the condition of this seal on a regular basis. If necessary, clean it and avoid using abrasive products or objects to do so. Should it become damaged, please contact your nearest After-sales Service Centre. We recommend you avoid using the oven until it has been repaired.
- never line the oven bottom with aluminium foil, as the consequent accumulation of heat could compromise the cooking and even damage the enamel.
- clean the glass door using non-abrasive products or sponges and dry it with a soft cloth.

How to remove the oven door

For a more thorough clean, you can remove the oven door. Proceed as follows:

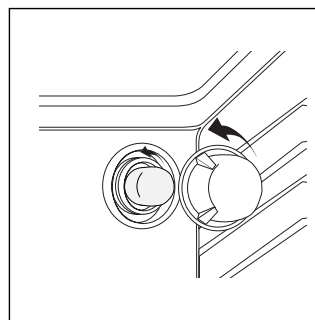
- open the door fully;
- lift up and turn the small levers situated on the two hinges;
- grip the door on the two external sides, shut it slowly but not completely;
- pull the door towards you, pulling it out of its seat;

Reassemble the door by following the above procedures backwards.



Replacing the Oven Lamp

- Disconnect the oven from the power supply by means of the omnipolar switch used to connect the appliance to the electrical mains; or unplug the appliance if the plug is accessible;
- Remove the glass cover of the lamp-holder;
- Remove the lamp and replace with a lamp resistant to high temperatures (300°C) with the following characteristics:
 - Voltage: 230/240 V
 - Wattage 25W
 - Type E14
- Replace the glass cover and reconnect the oven to the mains power supply.



Practical Cooking Advice

When cooking in the oven, use only one dripping pan or rack at a time. Select from among the top or bottom rack heights based on whether the dish needs more or less heat from the top.

Preheating

If the oven must be preheated (this is generally the case when cooking leavened foods), we recommend you use the “convection mode” to reach the desired temperature as quickly as possible. When preheating is over, which is indicated by the red light “I” going out, select the required cooking mode.

Cooking Fish and Meat

When cooking white meat, fowl and fish, use temperature settings from 180 °C to 200 °C.

For red meat that should be well done on the outside while tender and juicy in the inside, it is a good idea to start with a high temperature setting (200°C-220°C) for a short time, then turn the oven down afterwards.

In general, the larger the roast, the lower the temperature setting. Place the meat on the centre of the grid and place the dripping pan beneath it to catch the fat.

Make sure that the grid is inserted so that it is in the centre of the oven. If you would like to increase the amount of heat from below, use the low rack heights. For savoury roasts (especially duck and wild game), dress the meat with lard or bacon on the top.

Baking Cakes

When baking cakes, always preheat the oven and do not open the oven door during baking to prevent the cake from dropping. In general:

Pastry is too dry

Increase the temperature by 10°C and reduce the cooking time.

Pastry dropped

Use less liquid or lower the temperature by 10°C.

Pastry is too dark on top

Place it on a lower rack, lower the temperature, and increase the cooking time.


Cooked well on the inside but sticky on the outside

Use less liquid, lower the temperature, and increase the cooking time.

The pastry sticks to the pan

Grease the pan well and sprinkle it with a dusting of flour or use greaseproof paper.

Using the Grill

Use the  “grill” mode, placing the food under the centre of the grill (situated on the 3rd or 4th rack from the bottom) because only the central part of the top heating element is turned on.

Use the bottom rack (1st from the bottom), placing the dripping pan provided to collect any sauce and/or grease and prevent the same from dripping onto the oven bottom.

When using this mode, we recommend you set the thermostat to the highest setting. However, this does not mean you cannot use lower temperatures, simply by adjusting the thermostat knob to the desired temperature.

Important: always use the grill with the oven door shut. This will allow you both to obtain excellent results and to save on energy (approximately 10%).

Therefore the best results when using the grill modes are obtained by placing the grid on the lower racks (see cooking table) then, to prevent fat and grease from dripping onto the bottom of the oven and smoke from forming, place a dripping-pan on the 1st oven rack from the bottom.

Foods	Wt. (Kg)	Cooking position from bottom	Temperature (°C)	Pre-eating time (minuts)	Cooking time (minuts)
Paste					
Lasagne	2.5	3	210	-	75-80
Cannelloni	2.5	3	210	-	75-80
Oven-baked noodles	2.5	3	210	-	75-80
Meat					
Veal	1.7	3	220	-	85-90
Chicken	1.5	3	220	-	110-115
Turkey	3.0	3	220-Max	-	95-100
Duck	1.8	3	220	-	120-125
Rabbit	2.0	3	220	-	105-110
Pork	2.1	3	220	-	100-110
Lamb	1.8	3	220	-	90-95
Fish					
Mackerel	1.1	3	210-230	-	55-60
Dentex	1.5	3	210-230	-	60-65
Trout baked in paper	1.0	3	210-230	-	40-45
Pizze					
Napolitan pizza	1.0	3	Max	15	30-35
Tarts					
Biscuits	0.5	3	180	15	30-35
Meringues	1.1	3	180	15	30-35
Chocolate cake	1.0	3	200	15	45-50
Yeast cakes	1.0	3	200	15	50-55

Note: cooking times are approximate and may vary according to personal taste.

Safety Is A Good Habit To Get Into

To maintain the efficiency and safety of this appliance, we recommend that you do the following:

- only call the Service Centres authorised by the manufacturer
- always use original spare parts

- **When handling the appliance, we recommend you always use the purpose provided handles recessed into the sides of the oven to prevent harming people or damaging the appliance itself.**
- This appliance is designed for non-professional, household use and its functions must not be changed.
- These instructions are only valid for the countries whose symbols appear on the manual and the serial number plate.
- The electrical system of this appliance can only be used safely when it is correctly connected to an efficient earthing system in compliance with current safety standards.
- **When the appliance is in use, the heating elements and some parts of the oven door become extremely hot. Make sure you don't touch them and keep children well away.**

The following items are potentially dangerous, and therefore appropriate measures must be taken to prevent children and the disabled from coming into contact with them:

- Controls and the appliance in general;
- Packaging (bags, polystyrene, nails, etc.);
- The appliance itself, immediately after use of the oven or grill due to the heat generated;
- The appliance itself, when no longer in use (potentially dangerous parts must be made safe).

Avoid the following:

- Touching the appliance with wet parts of the body;
- Using the appliance when barefoot;
- Pulling on the appliance or the supply cable to unplug it from the electrical outlet;
- Improper or dangerous operations;
- Obstructing the ventilation or heat dissipation slots;
- Allowing power supply cables of small appliances to come into contact with the hot parts of the appliance;
- Exposing the appliance to atmospheric agents such as rain, or sunlight;
- Using the oven for storage purposes;
- Using flammable liquids near the appliance;

- Using adapters, multiple sockets and/or extension leads;
- Attempting to install or repair the appliance without the assistance of qualified personnel.

Qualified personnel must be contacted in the following cases:

- Installation (following the manufacturer's instructions);
- When in doubt about operating the appliance;
- Replacing the electrical socket when it is not compatible with the appliance plug.

Service Centres authorised by the manufacturer must be contacted in the following cases:

- If in doubt about the soundness of the appliance after removing it from its packaging;
- If the power supply cable has been damaged or needs to be replaced;
- If the appliance breaks down or functions poorly; ask for original spare parts.

It is a good idea to do the following:

- Only use the appliance to cook food and nothing else;
- Check the soundness of the appliance after it has been unpacked;
- Disconnect the appliance from the electrical mains if it is not functioning properly and before cleaning or performing maintenance;
- When left unused, unplug the appliance from the electricity mains and turn off the gas tap (if foreseen);
- Use oven gloves to place cookware in the oven or when removing it;
- Always grip the oven door handle in the centre as the extremities of the same may be hot due to any hot air leaks;
- Make sure the knobs are in the "•"/"o" position when the appliance is not in use.
- Cut the power supply cable after disconnecting it from the mains when you decide not to use the appliance any longer.
- The manufacturer may not be held responsible for any damage due to: incorrect installation, improper, incorrect and irrational use.

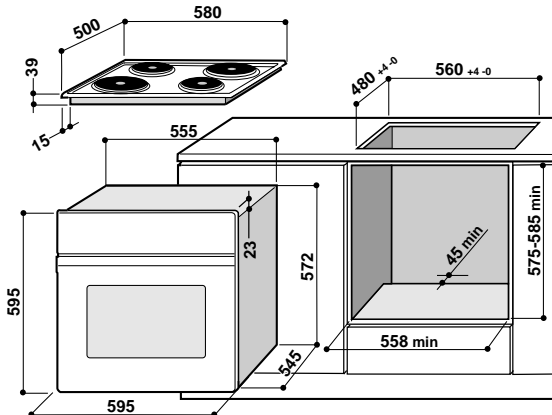
Installation

The appliance must be installed only by a qualified person in compliance with the instructions provided. The manufacturer declines all responsibility for improper installation which may harm persons and animals and damage property.

Important: The power supply to the appliance must be cut off before any adjustments or maintenance work is done on it.

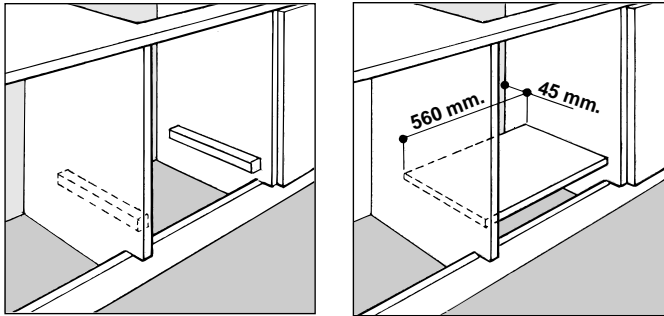
Installation of Built-in Ovens

In order to ensure that the built-in appliance functions properly, the cabinet containing it must be appropriate. The figure below gives the dimensions of the cut-out for installation under the counter or in a wall cabinet unit.



N.B.: Installation in compliance with the consumption declaration

In order to ensure adequate ventilation, the back panel of the cabinet unit must be removed. Installing the oven so that it rests on two strips of wood is preferable. If the oven rests on a continuous, flat surface, there must be an aperture of at least 45 x 560 mm.

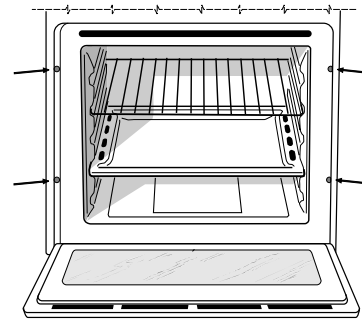


The panels of the adjacent cabinets must be made of heat-resistant material. In particular, cabinets with a veneer exterior must be assembled with glues which can withstand temperatures of up to 100 °C.

In compliance with current safety standards, contact with the electrical parts of the oven must not be possible once it has been installed.

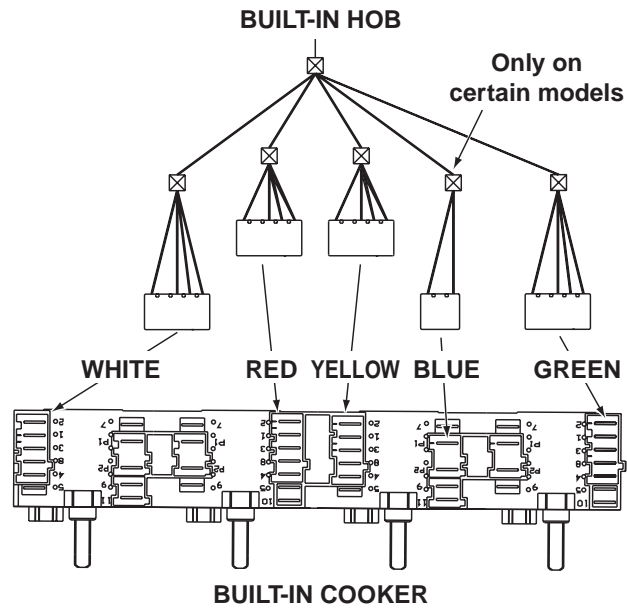
All parts which ensure the safe operation of the appliance must be removable only with the aid of a tool.

To fasten the oven to the cabinet, open the door of the oven and attach it by inserting the 4 wooden screws into the 4 holes located on the perimeter of the frame.



Electrical Connection

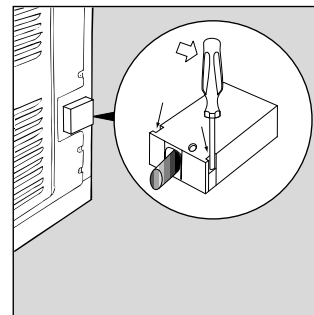
The cooker must be connected to the mains electricity supply. The hob is connected to the cooker using a special connector. The cookers are designed to operate on alternating current featuring the supply voltage and frequency indicated on the appliance data plate.



Fitting on a Power Supply Cable

Opening the terminal board:

- Using a screwdriver, prise on the side tabs of the terminal board cover;
- Pull open the cover of the terminal board.



To install the cable, proceed as follows:

- unscrew the wire clamp screw and the contact screws
Note: the jumpers are factory-set for a three-phase 400V connection (fig. D).
- to make the electrical connections illustrated in fig. F and fig. G, use the two jumpers housed in the box (fig. E - reference "P")
- fasten the supply cable in place with the clamp and close the cover of the terminal board.

**400V 3N~
H05RR-F 5x2.5 CEI-UNEL 35363**

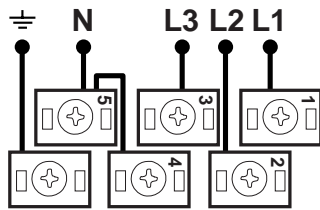


Fig. D

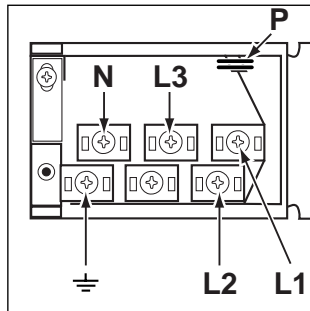


Fig. E

**230V 1N~
H07RN-F 3x4 CEI-UNEL 35364**

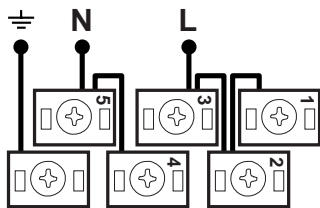


Fig. F

**400V 2N~
H05RR-F 4x2.5 CEI-UNEL 35363**

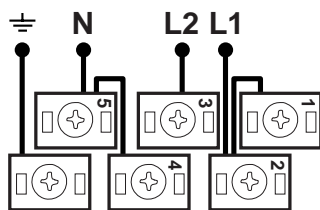


Fig. G

Connecting the supply cable to the mains

Install a standardised plug corresponding to the load indicated on the data plate. When connecting the cable directly to the mains, install an omnipolar circuit-breaker with a minimum contact opening of 3 mm between the appliance and the mains. The omnipolar circuit breaker should be sized according to the load and should comply with current regulations (the earth wire should not be interrupted by the circuit breaker).

The supply cable should be positioned so that it does not reach a temperature of more than 50°C with respect to the room temperature, anywhere along its length.

Before making the connection, check that:

- The electrical safety of this appliance can only be guaranteed if the cooker is correctly and efficiently earthed, in compliance with regulations on electrical safety. Always ensure that the earthing is efficient; if you have any doubts call in a qualified technician to check the system. The manufacturer declines all responsibility for damage resulting from a system which has not been earthed.
- Before plugging the appliance into the mains, check that the specifications indicated on the data plate (on the appliance and/or packaging) correspond to those of the electrical mains system of your home.
- Check that the electrical capacity of the system and sockets will support the maximum power of the appliance, as indicated on the data plate. If you have any doubts, call in a qualified technician.
- If the socket and appliance plug are not compatible, have the socket replaced with a suitable model by a qualified technician. The latter, in particular, will also have to ensure that the cross section of the socket cables are suitable for the power absorbed by the appliance. The use of adapters, multiple sockets and/or extensions, is not recommended. If their use cannot be avoided, remember to use only single or multiple adapters and extensions which comply with current safety regulations. In these cases, never exceed the maximum current capacity indicated on the single adapter or extension and the maximum power indicated on the multiple adapter. **The plug and socket must be easily accessible.**

Technical Specifications

Inner dimensions of the oven:

Width 43.5 cm

Depth 43.5 cm

Height 32 cm

Inner Volume of the Oven:

60 litres

ENERGY LABEL

Directive 2002/40/EC on the label of electric ovens

Norm EN 50304

Declared energy consumption for Natural convection Class

heating mode: Convection

Voltage and Frequency of Power Supply:

230V/400V ~ 3N 50/60Hz 8200W

**This appliance conforms with the following European Economic Community directives:**

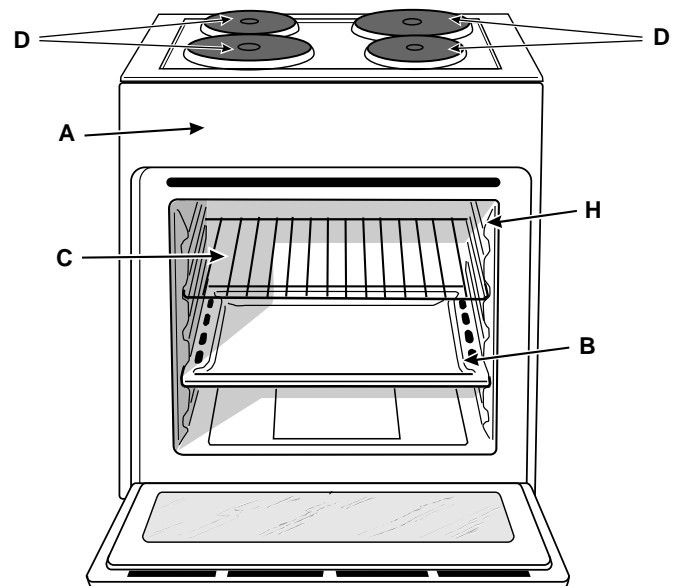
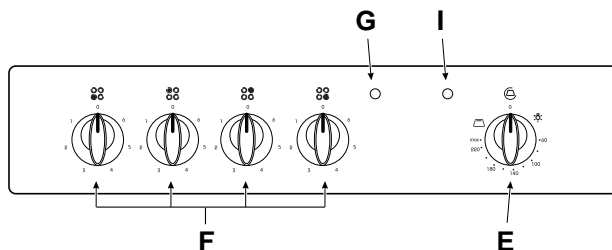
- 73/23/EEC of 19/02/73 (Low Voltage) and subsequent modifications;
- 89/336/EEC of 03/05/89 (Electromagnetic Compatibility) and subsequent modifications;
- 93/68/EEC of 22/07/93 and subsequent modifications.
- 2002/96/EC

The European Directive 2002/96/EC on Waste Electrical and Electronic Equipment (WEEE), requires that old household electrical appliances must not be disposed of in the normal unsorted municipal waste stream. Old appliances must be collected separately in order to optimise the recovery and recycling of the materials they contain and reduce the impact on human health and the environment. The crossed out "wheeled bin" symbol on the product reminds you of your obligation, that when you dispose of the appliance it must be separately collected. Consumers should contact their local authority or retailer for information concerning the correct disposal of their old appliance.

Merci d'avoir choisi un produit Indesit, fiable et facile à utiliser. Pour apprendre à bien connaître votre appareil, à l'utiliser et à le conserver longtemps, lisez attentivement cette notice avant toute utilisation car elle contient des instructions très importantes concernant sa sécurité d'installation, d'usage et d'entretien. Conservez avec soin cette brochure pour toute consultation ultérieure. Merci.

Vu de près

- A. **Tableau de bord**
- B. **Lèche-frite ou plateau de cuisson**
- C. **Grille du four**
- D. **Plaque électrique**
- E. **Sélecteur de fonctions**
- F. **Manettes plaques électriques**
- G. **Voyant fonctionnement plaques électriques**
- H. **Crémaillères pour lèche-frites et grilles**
- I. **Voyant de fonctionnement du four** (n'existe que sur certains modèles) - Quand il est allumé il indique la montée en température jusqu'à la température sélectionnée.



Mode d'emploi

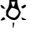
Pour sélectionner les différentes fonctions du four, servez-vous des dispositifs de commande de son tableau de bord.

Attention : Lors de son premier allumage, faites fonctionner le four à vide, porte fermée, pendant au moins une demi-heure en réglant la température à son maximum. Ouvrez ensuite la porte et ventilez la pièce. L'odeur qui se dégage parfois pendant cette opération est due à l'évaporation des produits utilisés pour protéger le four pendant le laps de temps qui s'écoule entre la fabrication et l'installation du produit.

Attention : Installez la lèche-frite sur le premier gradin du bas pour recueillir les graisses et les jus uniquement en cas de cuissons au grill ou au tournebroche (ce dernier n'est présent que sur certains modèles). Pour les autres modes de cuisson n'utilisez jamais le gradin du bas et ne posez jamais d'objets à même la sole du four, vous risqueriez d'abîmer l'émail. Enfournés toujours vos plats de cuisson (plats pyrex, papier alu, etc. etc.) sur la grille fournie avec l'appareil et montée dans les gradins de la crémaillère à l'intérieur de l'enceinte du four.

La manette du four (E)

Ce dispositif vous permet de sélectionner les différentes fonctions du four et de choisir, suivant les aliments, la température de cuisson la plus appropriée parmi celles qui sont indiquées sur la manette (comprises entre 60°C

et 240°C). Tournez la manette dans le sens des aiguilles d'une montre, la lampe du four s'allume , et les éléments chauffants sole et voûte se mettent en marche (résistances électriques), vous pouvez alors choisir parmi les températures indiquées ci-dessous, celle qui convient le mieux à la cuisson des aliments (Four Statique). Il vous suffit pour cela d'amener la valeur désirée en face du repère fixe situé sur le tableau de bord.


60	•	100	•	140	•	180	•	220	Max
		80		120		160		200	240

La température est automatiquement atteinte et maintenue par le thermostat commandé par la manette.

Position Résistance Supérieure

Tournez la manette dans cette position pour allumer la lumière du four et brancher l'élément chauffant supérieur.

Eclairage du four

Pour l'allumer, amenez le bouton "E" en face du symbole . La lampe s'allume et reste allumée chaque fois qu'une résistance électrique du four se met en marche.

Manettes de commande des plaques électriques du plan de cuisson (F)

Les cuisinières peuvent monter des plaques électriques normales, rapides et automatiques combinées entre elles (les plaques rapides se distinguent des autres à leur pastille rouge, les plaques automatiques à la présence d'un plateau aluminium circulaire).

Pour éviter toute déperdition de chaleur et ne pas endommager les plaques, il est conseillé d'utiliser des casseroles à fond plat dont le diamètre n'est pas plus petit que celui de la plaque.

Dans le tableau suivant, vous trouverez les correspondances entre les positions indiquées sur les manettes et l'utilisation pour laquelle les plaques sont conseillées.

Position	Plaque normale ou rapide
0	Eteint
1	Cuisson de légumes verts, poissons
2	Cuisson de pommes de terre (à la vapeur) soupes, pois chiches, haricots
3	Pour continuer la cuisson de grandes quantités d'aliments, minestrone
4	Rôtir (moyen)
5	Rôtir (fort)
6	Rissoler ou rejoindre l'ébullition en peu de temps

Avant d'utiliser vos plaques de cuisson pour la première fois, faites-les chauffer pendant 4 minutes à leur température maximum sans casserole. Au cours de cette phase initiale, le revêtement protecteur durcit et atteint sa résistance maximum.

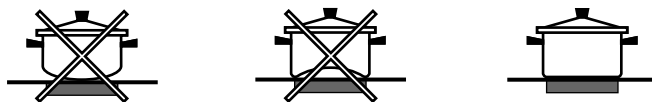
Voyant fonctionnement plaques électriques (G)

Il s'allume chaque fois qu'une résistance électrique du plan de cuisson se met en marche.

Utilisation du plan de cuisson

Pour obtenir des résultats optimaux de votre plan de cuisson, suivez certaines règles fondamentales au moment de préparer ou de cuire les aliments.

- N'utilisez que des casseroles à fond plat pour qu'elles adhèrent bien à la zone de cuisson.



- Utilisez des casseroles dont le diamètre couvre entièrement la plaque de cuisson pour utiliser à plein toute la chaleur disponible.



- Veillez à ce que le dessous des casseroles soit bien sec et propre pour garantir un bon contact avec les plaques et la longévité de ces dernières et de vos casseroles.

Comment le garder en forme

Avant toute opération de nettoyage ou d'entretien coupez l'alimentation électrique de l'appareil.

Pour prolonger la durée de vie de votre appareil, nettoyez-le fréquemment, en n'oubliant pas que:

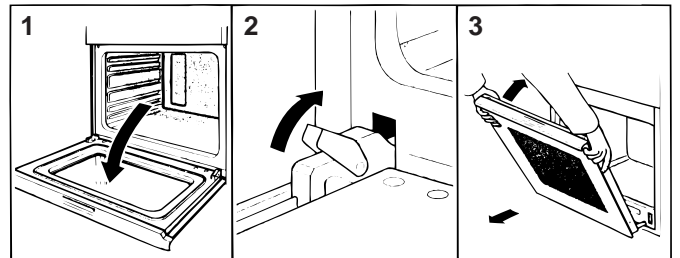
- **pour le nettoyage, ne pas utiliser d'appareils à vapeur**
- les parties extérieures émaillées ou inox doivent être lavées à l'eau tiède en évitant toute utilisation de poudres abrasives ou de produits corrosifs qui pourraient les abîmer. L'acier inox peut se tacher. Si les taches sont difficiles à enlever, utilisez des produits spéciaux que vous trouverez dans le commerce. Il est conseillé de rincer abondamment et d'essuyer après le nettoyage.
- l'intérieur du four doit être nettoyé, de préférence après chaque usage, quand il est encore tiède avec de l'eau chaude et du détergent, en rinçant et en essuyant ensuite soigneusement avec un chiffon doux. Evitez d'utiliser des produits abrasifs (des poudres par exemple), des éponges récurantes ou des acides (détartrants par ex.) qui pourraient abîmer l'émail. En cas d'incrustations particulièrement difficiles à enlever, utilisez un nettoyant spécial four en suivant à la lettre les instructions indiquées sur l'emballage.
- si la durée d'utilisation du four se prolonge, de la buée peut se former. Essuyez-la avec un chiffon doux.
- un joint en caoutchouc placé sur l'ouverture du four assure son bon fonctionnement. Contrôlez par conséquent périodiquement l'état de ce joint. Au besoin, nettoyez-le en évitant d'utiliser des produits ou des objets abrasifs. S'il est abîmé, adressez-vous au service après-vente le plus proche de votre domicile. Mieux vaut ne pas utiliser le four tant qu'il n'est pas réparé.
- ne tapissez jamais la sole du four de papier aluminium car l'accumulation de chaleur qui s'en suivrait pourrait compromettre la cuisson et détériorer l'émail.
- nettoyez la vitre de la porte du four à l'aide de produits et d'éponges non abrasifs et séchez avec un chiffon doux.

Dépose de la porte du four

Pour nettoyer plus à fond, vous pouvez déposer la porte du four. Procédez comme suit :

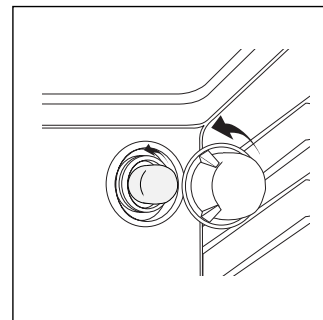
- ouvrez la porte complètement ;
- soulevez et faites pivoter les leviers situés sur les deux charnières ;
- saisissez la porte par les côtés extérieurs, refermez-la lentement mais pas complètement ;
- tirez-la vers vous en la sortant de son logement;

Remontez la porte en refaisant en sens inverse les opérations indiquées ci-dessus.



Remplacement de la lampe à l'intérieur de l'enceinte du four

- Déconnectez l'appareil à l'aide de l'interrupteur omnipolaire reliant le four à l'installation électrique ou bien débranchez la fiche, si elle est accessible;
- Dévissez le couvercle en verre de la douille;
- Dévissez l'ampoule, remplacez-la par une ampoule résistante à des températures élevées (300°C) et ayant les caractéristiques suivantes:
 - Tension 230/240 V
 - Puissance 25W
 - Culot E14
- Remontez le couvercle en verre et connectez l'appareil.



Conseils utiles pour la cuisson

Pour cuire au four, n'utilisez qu'une seule lèchefrite ou grille à la fois. Placez-la sur les gradins du bas ou du haut selon que la cuisson exige plus de chaleur provenant de la voûte ou de la sole.

Préchauffage

Quand un préchauffage est nécessaire, en gros chaque fois que vous devez enfourner des pâtes levées, vous pouvez utiliser la fonction «four statique» qui permet d'obtenir une montée en température rapide. Attendez que l'extinction du voyant rouge «I» vous signale que le préchauffage est terminé pour sélectionner la fonction de cuisson la plus indiquée.

Cuisson du poisson et de la viande

Pour les viandes blanches, les volailles et le poisson utilisez des températures entre 180°C et 200 °C.

Pour rissoler les viandes rouges à l'extérieur et les garder juteuses à l'intérieur, sélectionnez au départ une température élevée (200-220°C) pendant un bref laps de temps puis diminuez-la par la suite.

En général, plus votre rôti est gros, plus vous devez choisir une température basse et prolonger la durée de cuisson. Placez la viande au milieu de la grille et placez la lèchefrite en dessous pour recueillir les graisses.

Enfournez la grille de manière à ce que la viande se trouve au centre du four. Si vous voulez plus de chaleur en dessous, choisissez les gradins les plus bas. Pour obtenir des rôtis savoureux (canard et gibier notamment), bardez votre viande de lard ou de petit salé en faisant en sorte qu'ils se trouvent sur le dessus de la viande quand vous l'enfournez.

Cuisson de la pâtisserie

Préchauffez toujours votre four avant d'enfourner vos gâteaux et n'ouvrez pas la porte pendant leur cuisson pour éviter qu'ils ne s'affaissent. En général :

Pâtisserie trop sèche

La prochaine fois programmez une température de 10°C supérieure et réduisez le temps de cuisson.

Le gâteau s'affaisse

Utilisez moins de liquide ou baissez la température de 10°C.

Gâteau foncé sur le dessus

Enfournez-le à un niveau plus bas, choisissez une température plus basse et prolongez la cuisson


Bonne cuisson extérieure, mais intérieur collant

Utilisez moins de liquide, abaissez la température, augmentez le temps de cuisson.

Le gâteau ne se démoule pas

Beurrez bien votre moule et farinez-le un peu ou bien utilisez du papier sulfurisé.

Utilisation du grill

Utilisez la fonction  "grill" en plaçant vos aliments au milieu de la grille (placée au 3ème ou au 4ème niveau en partant du bas) car seule la partie centrale de la résistance du haut est allumée.

Placez la lèchefrite fournie avec l'appareil sur le premier niveau en partant du bas pour recueillir les graisses et les jus.

Quand vous utilisez cette fonction, n'oubliez pas de régler votre thermostat sur le maximum. Ceci ne vous empêche toutefois pas d'utiliser des températures plus basses que vous sélectionnez à l'aide du bouton du thermostat.

Important : pour la cuisson au grill, la porte du four doit être fermée, vous obtiendrez de meilleurs résultats et ferez des économies d'énergie (10% environ).

En cuisson barbecue, placez la grille sur les derniers gradins en partant du bas (voir tableau de cuisson) et placez la lèchefrite fournie sur le premier gradin en partant du bas pour recueillir les graisses et éviter la formation de fumée.

Aliments à cuire	Poids (Kg)	Position de cuisson étages à partir du bas	Température (°C)	Temps de pré-réchauffement (minutes)	Temps de cuisson (minutes)
Pâtes					
Lasagnes	2,5	3	210	-	75-80
Cannelloni	2,5	3	210	-	75-80
Tagliatelle au four	2,5	3	210	-	75-80
Viandes					
Veau	1,7	3	220	-	85-90
Poulet	1,5	3	220	-	110-115
Dinde	3,0	3	220-Max	-	95-100
Canard	1,8	3	220	-	120-125
Lapin	2,0	3	220	-	105-110
Porc	2,1	3	220	-	100-110
Agneau	1,8	3	220	-	90-95
Poissons					
Maquereaux	1,1	3	210-230	-	55-60
Dentex	1,5	3	210-230	-	60-65
Truite en papillote	1,0	3	210-230	-	40-45
Pizza					
Pizza napolitaine	1,0	3	Max	15	30-35
Gâteaux					
Biscuits	0,5	3	180	15	30-35
Tarteata	1,1	3	180	15	30-35
Gâteaux au chocolat	1,0	3	200	15	45-50
Gâteaux levés	1,0	3	200	15	50-55

Note: les temps de cuisson sont purement indicatifs et peuvent varier en fonction des goûts de l'utilisateur.

La sécurité, une bonne habitude

Pour garantir l'efficacité et la sécurité de ce produit

- adressez-vous exclusivement à des Centres d'assistance technique agréés
- exigez toujours l'utilisation de pièces détachées originales.

- **Pour déplacer l'appareil servez-vous toujours des poignées prévues sur les côtés du four, vous éviterez ainsi tout risque de blessure ou d'endommagement de l'appareil.**
- Cet appareil a été conçu pour un usage non professionnel, à domicile, et ses caractéristiques ne peuvent être modifiées.
- Les instructions fournies ne sont applicables qu'aux pays dont les symboles sont reportés dans la notice et sur la plaquette d'immatriculation...
- La sécurité de cet appareil n'est garantie que si ce dernier a été correctement raccordé à une installation de mise à la terre efficace conforme aux normes de sécurité.
- **En cours de fonctionnement, les éléments chauffants et certaines parties de la porte peuvent devenir très chauds. Attention à ne pas les toucher et à garder les enfants à distance.**

Ce dernier pouvant représenter un danger, évitez que des enfants ou des incapables aient accès :

- aux commandes et à l'appareil en général ;
- aux emballages (sachets, polystyrène, clous etc.) ;
- à l'appareil, pendant et tout de suite après l'utilisation du four et du gril, à cause de la surchauffe ;
- à l'appareil inutilisé (dans ce cas il faut rendre inoffensives les parties pouvant s'avérer dangereuses)...

Évitez :

- de toucher l'appareil avec des parties du corps humides ;
- de l'utiliser pieds nus ;
- de tirer sur l'appareil ou sur le cordon d'alimentation pour le débrancher de la prise de courant ;
- toute opération inappropriée et dangereuse ;
- de boucher les fentes d'aération ou de déperdition de la chaleur ;
- que le cordon d'alimentation de petits électroménagers touchent à des parties chaudes de l'appareil ;
- l'exposition aux agents atmosphériques (pluie, soleil) ;
- d'utiliser le four comme rangement ;
- d'utiliser des liquides inflammables à proximité ;

- d'utiliser des adaptateurs, des prises multiples et/ou des rallonges ;
- toute tentative d'installation ou de réparation sans l'intervention de personnel qualifié.

Faites toujours appel à des techniciens qualifiés dans les cas suivants :

- installation (conforme aux instructions du fabricant) ;
- quand vous avez des doutes sur son fonctionnement ;
- remplacement de la prise en cas d'incompatibilité avec la fiche de l'appareil.

Faites appel aux centres de service après-vente agréés par le fabricant dans les cas suivants :

- en cas de doute sur le bon état de l'appareil lors de son déballage ;
- endommagement ou remplacement du cordon d'alimentation ;
- en cas de panne ou de mauvais fonctionnement, exigez des pièces détachées d'origine.

Effectuez les opérations suivantes :

- évitez toute opération autre que la cuisson ;
- vérifiez le bon état de l'appareil lors de son déballage ;
- déconnectez l'appareil en cas de mauvais fonctionnement et avant toute opération de nettoyage ou d'entretien ;
- quand il est inutilisé, débranchez l'appareil de la prise de courant et fermez le robinet du gaz (s'il y en a un de prévu) ;
- utilisez des gants de protection pour enfourner ou sortir des plats du four ;
- saisissez toujours la poignée de porte en son milieu car à ses extrémités les sorties d'air chaud pourraient la rendre plus chaude ;
- contrôlez toujours si les manettes sont bien sur "●"/"o" quand l'appareil n'est pas utilisé.
- coupez le cordon d'alimentation après l'avoir débranché de la prise quand vous décidez de ne plus utiliser votre appareil.
- Le fabricant décline toute responsabilité en cas de dommages provoqués par : une mauvaise installation, un usage impropre et erroné.

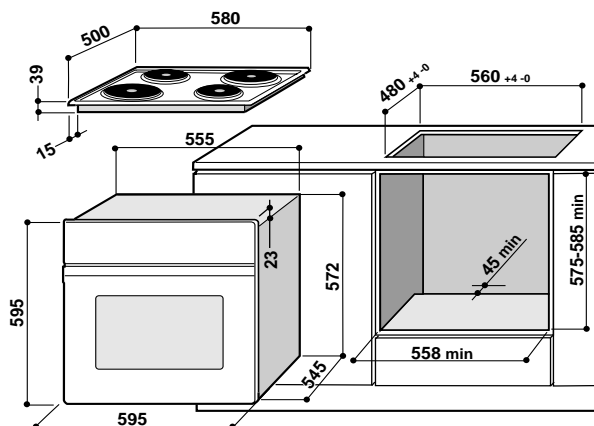
INSTALLATION

L'installation doit être effectuée conformément aux instructions du fabricant et par un professionnel du secteur. Le fabricant décline toute responsabilité pour tous dommages causés à des personnes, à des animaux ou à des choses du fait d'une installation incorrecte de l'appareil.

Important : déconnectez le four avant de procéder à toute opération de réglage, d'entretien etc.

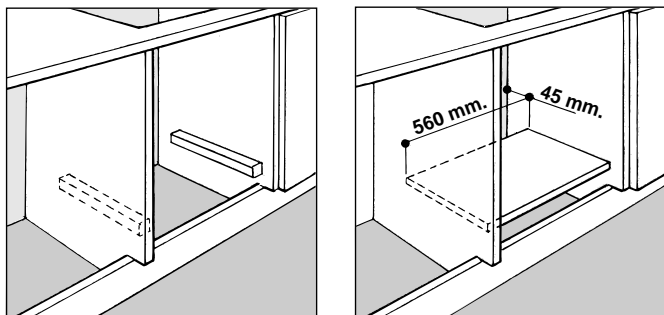
Installation des fours à encastrer

Pour garantir un bon fonctionnement d'un appareil à encastrer, il faut que le meuble possède des caractéristiques bien précises. Les dimensions de la niche à l'intérieur du meuble en cas d'installation sous plan ou en colonne sont indiquées sur la figure qui suit.



N.B.: Installation conforme à la déclaration consommation

Pour garantir une bonne aération il faut éliminer la paroi arrière de la niche, il vaut mieux installer le four de manière à ce qu'il repose sur deux cales en bois; s'il y a par contre un plan d'appui continu, ce dernier doit avoir une ouverture de d'au moins 45 x 560 mm.

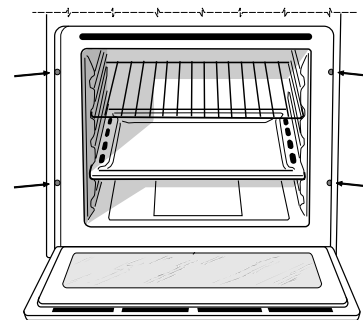


Les panneaux des meubles adjacents doivent être fabriqués dans un matériau résistant à la chaleur. Dans le cas notamment de meubles en bois plaqué, il faut que les colles résistent à une température de 100 °C.

Conformément aux normes de sécurité, après encastrement de l'appareil, il ne doit plus y avoir possibilité de contact avec les parties électrifiées.

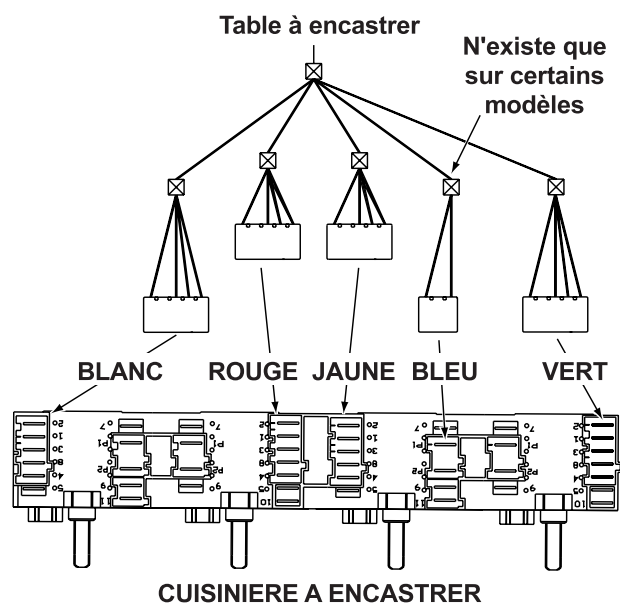
Toutes les parties qui servent de protection doivent être fixées de manière à ne pouvoir être enlevées qu'avec l'aide d'un outil.

Pour fixer le four au meuble, ouvrez la porte du four et fixez le four à l'aide des 4 vis à bois dans les 4 trous situés sur le pourtour.



Raccordement électrique

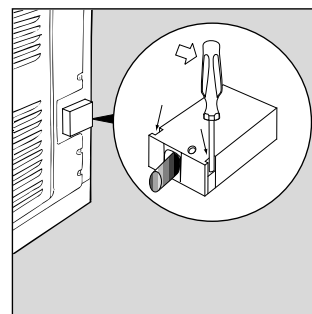
Le raccordement électrique au réseau doit être effectué sur la cuisinière. Le plan de cuisson est raccordé à la cuisinière à l'aide d'un connecteur spécial. Les cuisinières sont prévues pour fonctionnement au courant alternatif à la tension et à la fréquence d'alimentation indiquées sur la plaquette signalétique.



Montage du cordon d'alimentation

Ouverture du bornier:

- Faites pression à l'aide d'un tournevis sur les languettes latérales du couvercle du bornier;
- Tirez et ouvrez le couvercle du bornier.



Pour monter le cordon d'alimentation, procédez comme suit:

- dévissez la vis du serre-câble de même que les vis des contacts

Rappel : les pontets sont montés en usine pour raccordement à 400V triphasé (fig. D).

- pour effectuer les raccordements électriques illustrés fig. F et fig. G, utilisez les deux pontets placés dans le boîtier (fig. E - référence "P")
- fixez le câble d'alimentation dans le serre-câble correspondant et fermez le couvercle.

**400V 3N~
H05RR-F 5x2.5 CEI-UNEL 35363**

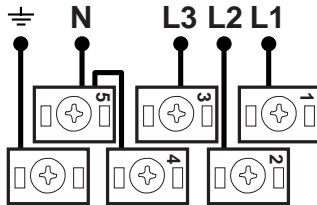


Fig. D

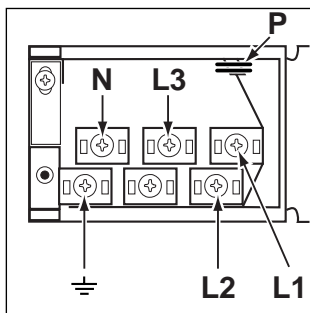


Fig. E

**230V 1N~
H07RN-F 3x4 CEI-UNEL 35364**

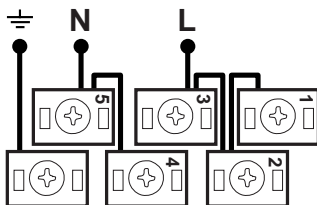


Fig. F

**400V 2N~
H05RR-F 4x2.5 CEI-UNEL 35363**

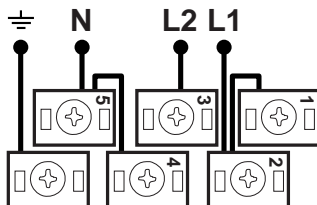


Fig. G

Branchement du câble d'alimentation au réseau électrique

Montez sur le câble une fiche normalisée pour la charge indiquée sur la plaquette des caractéristiques; en cas de branchement direct au réseau, intercalez entre l'appareil et l'installation électrique un interrupteur omnipolaire ayant au moins 3 mm d'ouverture entre les contacts, dimensionné à la charge et conforme aux normes applicables (l'interrupteur ne doit pas interrompre le fil de la terre).

Le câble d'alimentation ne doit atteindre, en aucun point, des températures dépassant de 50°C la température ambiante.

Avant de procéder au branchement, vérifiez que :

- La sécurité électrique de cet appareil n'est assurée que si ce dernier est correctement raccordé à une installation de mise à la terre conformément aux normes applicables en matière de sécurité électrique. Il est indispensable de vérifier si cette condition fondamentale de sécurité est bien remplie; en cas de doute, faites appel à un professionnel du secteur pour un contrôle minutieux de l'installation électrique. Le fabricant ne peut en aucun cas être considéré responsable des dommages pouvant survenir si l'installation de mise à la terre fait défaut.
- Avant de brancher l'appareil, vérifiez si les caractéristiques techniques reportées sur les étiquettes (apposées sur l'appareil et/ou sur l'emballage) correspondent bien à celles de votre installation électrique .
- Vérifiez si la charge électrique de l'installation et des prises de courant est apte à supporter la puissance maximum de l'appareil figurant sur la plaquette. En cas de doute, faites appel à un professionnel du secteur.
- En cas d'incompatibilité entre la prise et la fiche de l'appareil, faites remplacer cette prise par une autre appropriée par un professionnel du secteur. Ce dernier devra aussi vérifier si la section des câbles de la prise est apte à supporter la puissance absorbée par l'appareil. En général, il vaut mieux n'utiliser ni adaptateurs, ni prises multiples ni rallonges. Si leur emploi s'avère indispensable, n'utilisez que des adaptateurs simples ou multiples et des rallonges conformes aux normes de sécurité, tout en veillant à ne pas dépasser la limite de la charge électrique indiquée sur l'adaptateur simple ou sur les rallonges et la puissance max. indiquée sur l'adaptateur multiple. **La fiche et la prise doivent être d'un accès facile.**

Caractéristiques Techniques

Dimensions utiles du four:

largeur : cm 43,5
profondeur : cm 43,5
hauteur : cm 32

Volume utile du four:

litres 60

ETIQUETTE ENERGIE

Directive 2002/40/CE sur l'étiquette des fours électriques
Norme EN 50304

Consommation énergie déclarée pour Classe convection naturelle
fonction four : Statique

Tension et fréquence d'alimentation :

230V/400v ~ 3N 50/60Hz 8200W



Cet appareil est conforme aux Directives Communautaires suivantes :

- 73/23/CEE du 19/02/73 (Basse Tension) et modifications successives ;
- 89/336/CEE du 03/05/89 (Compatibilité électromagnétique) et modifications successives ;
- 93/68/CEE du 22/07/93 et modifications successives.
- 2002/96/EC

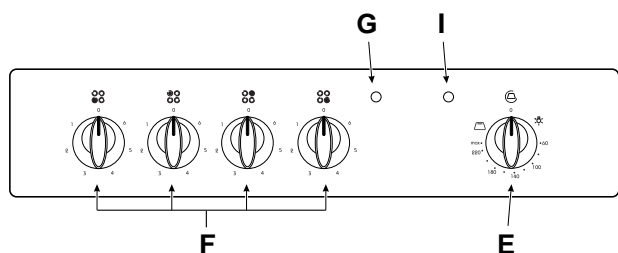
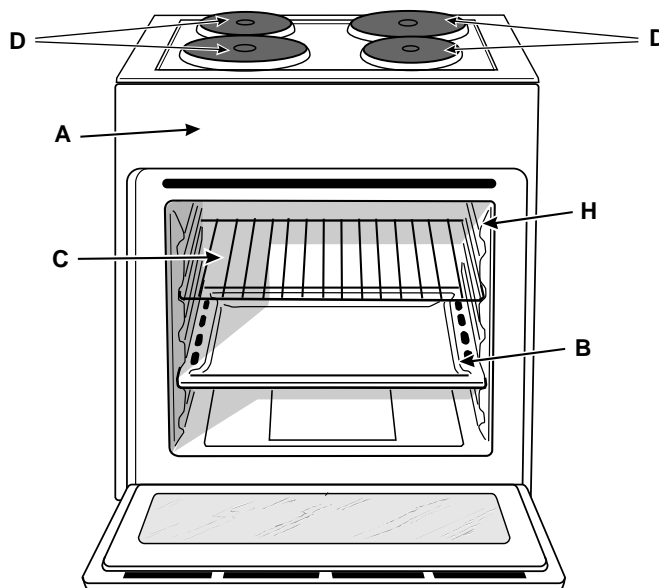
La Directive Européenne 2002/96/EC sur les Déchets des Equipements Electriques et Electroniques (DEEE), exige que les appareils ménagers usagés ne soient pas jetés dans le flux normal des déchets municipaux. Les appareils usagés doivent être collectés séparément afin d'optimiser le taux de récupération et le recyclage des matériaux qui les composent et réduire l'impact sur la santé humaine et l'environnement. Le symbole de la "poubelle barrée" est apposée sur tous les produits pour rappeler les obligations de collecte séparée.

Les consommateurs devront contacter les autorités locales ou leur revendeur concernant la démarche à suivre pour l'enlèvement de leur vieil appareil.

Wij danken u dat u een Indesit product heeft gekozen, veilig en gemakkelijk in het gebruik. Teneinde de oven beter te leren kennen, beter te gebruiken en er langer plezier van te hebben raden wij u aan de gebruiksaanwijzing aandachtig te lezen voordat u hem voor de eerste keer gaat gebruiken, er staan belangrijke aanwijzingen in met betrekking op de veiligheid van installeren, het gebruik en onderhoud. Bewaar dit boekje zorgvuldig voor eventuele verdere raadpleging. Dank u.

Van dichtbij gezien

- A. Bedieningspaneel
- B. Lekplaat of bakplaat
- C. Ovenrek
- D. Elektrische kookplaat
- E. Keuzeknop kookfuncties
- F. Knoppen elektrische kookplaten
- G. Controlelampje elektrische kookplaten
- H. Geleider lekplaat en ovenrek
- I. Controlelampje oven (slechts op enkele modellen aanwezig) - als dit aan is geeft het de verwarmingsfase aan tot aan de ingestelde temperatuur.



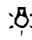
Het Gebruik

De verschillende functies van de oven worden gekozen met de knoppen op het bedieningspaneel.

Belangrijk: Wij raden aan bij het eerste gebruik de oven ongeveer een half uur leeg te laten functioneren op maximum temperatuur en met de deur dicht. Als deze tijd verlopen is opent u de ovendeur en lucht u het vertrek. De geur die men soms gedurende deze handeling waarneemt is te wijten aan het verdampen van de middelen die gebruikt worden om de oven te beschermen gedurende het tijdsverloop tussen de productie en het installeren van het product.

Belangrijk: Plaats de bijgeleverde lekplaat voor het opvangen van vet en vleessappen op de laagste stand in de oven, alleen als u onder de grill bakt of het braadspit (slechts op enkele modellen aanwezig) gebruikt. Bij alle andere soorten van koken nooit de laagste stand gebruiken of voorwerpen op de bodem van de oven plaatsen terwijl de oven aan is, aangezien dit het email kan beschadigen. Plaats altijd uw ovenschotels, aluminiumfolie en dergelijken op het bijgeleverde rek, dat u in de gleuven van de oven steekt.

Ovenknop (E)

Hiermee kiest u de verschillende functies van de oven en de beste temperatuur voor het gerecht dat u gaat koken (tussen 60°C en 240°C). Door de knop met de klok mee te draaien gaat het ovenlicht aan , gaan de bovenste en onderste verwarmingselementen werken (elektrische weerstanden) en kunt u de gewenste temperatuur kiezen. Hiervoor zet u de gewenste indicatie gelijk met het wijzertje op het bedieningspaneel (Statische oven).

60	•	100	•	140	•	180	•	220	Max
		80		120		160		200	240

De ingestelde temperatuur wordt automatisch bereikt en constant gehouden door de thermostaat.

Positie Bovenste Weerstand

Door de knop tot aan deze positie te draaien gaat het ovenlicht aan en gaat de bovenste weerstand werken.


Gebak-oven

Positie thermostaatknop "C": Tussen 60°C en Max. Het onderste verwarmingselement gaat aan.

Deze functie wordt aangeraden voor fijnere gerechten,

vooral cakes die moeten rijzen hetgeen door onderwarmte wordt vergemakkelijkt. De hogere temperaturen worden in langere tijd bereikt waardoor in deze gevallen de functie "Statische Oven" wordt gebruikt.

Het ovenlicht

Dit gaat aan met de knop "E" op symbool . De oven wordt verlicht en blijft verlicht zolang er een elektrisch element in de oven aan is.

Bedieningsknoppen van de elektrische kookplaten (F)

De fornuizen kunnen voorzien zijn van normale, snelle en automatische elektrische platen in verschillende combinaties (de snelle platen onderscheiden zich van de anderen door een rode stip).

Gebruik pannen met een platte bodem niet kleiner dan de diameter van de kookplaat, zo vermijdt u warmteverlies en eventuele schade aan de kookplaten.

De juiste verhouding tussen de positie aangegeven op de knoppen en het optimale gebruik van de kookplaten is aangegeven in de tabel.

Positie	Normale of snelle plaat
0	Uit
1	Groenten en vis
2	Aardappelen (gestoomd), soep, capucijners, bonen
3	Doorkoken van grote hoeveelheden, minestrone enz.
4	Braden (medium)
5	Braden (hard)
6	Bruin bakken of snel aan de kook brengen

Vóór het eerste gebruik moeten de kookplaten voor ongeveer 4 minuten op maximum worden verwarmd, zonder pannen. Gedurende deze beginfase wordt de beschermlaag hard en maximaal resistent.

Controlelampje elektrische kookplaten (G)

Dit blijft aan zolang er een elektrisch verwarmingselement aan is.

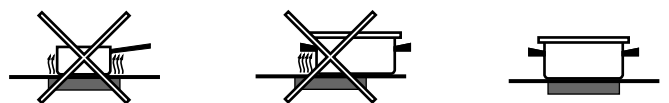
Gebruik van de kookplaat

Voor de beste resultaten van uw kookplaat volgen hier enkele fundamentele regels waaraan u zich moet houden bij het koken en bij het voorbereiden van de gerechten.

- Gebruik pannen met een platte bodem die zich goed aansluiten aan de kookzone.



- Gebruik pannen die groot genoeg zijn om de kookplaat geheel te bedekken teneinde alle beschikbare hitte te benutten.



- Zorg ervoor dat de bodem van de pan altijd schoon en droog is, zo garandeert u een goed contact en een lange duurzaamheid van de kookplaten en van de pannen zelf.

Sluit altijd eerst de stroom af voordat u tot enige handeling overgaat.

Het is belangrijk voor de lange duurzaamheid van het apparaat dat u het regelmatig nauwkeurig schoonmaakt, als volgt:

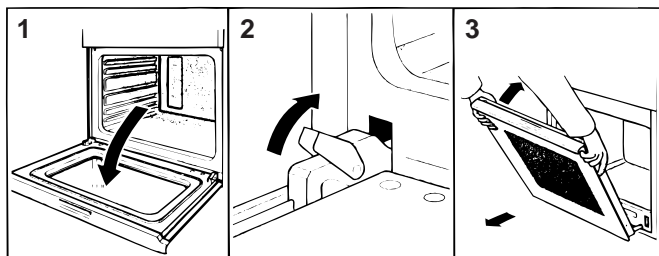
- **Gebruik voor het reinigen geen stoomapparaat.**
- de buitenkant, geëmailleerd en roestvrij staal, wordt met een lauw sopje gewassen, gebruik nooit schuurmiddelen of oplosmiddelen, die beschadigingen kunnen veroorzaken; roestvrij staal kan permanent gevlekt blijven. Gebruik voor hardnekkige vlekken speciale producten die normaal in de handel te krijgen zijn. Spoel ze dus na het reinigen goed af en droog ze af.
- de binnekant van de oven wordt gereinigd als de oven nog lauw is, liefst na ieder gebruik, met een warm sopje, dan gespoeld en zorgvuldig gedroogd met een zachte doek. Gebruik nooit schuurmiddelen (b.v. vim enz...) of de harde kant van de afwasspons of zuren (b.v. ontkalker enz...) aangezien die het email kunnen beschadigen. Als het vuil moeilijk te verwijderen is, gebruik dan een speciaal product voor het schoonmaken van de oven en volg de aanwijzingen op de verpakking hiervan.
- als de oven lange tijd gebruikt wordt kan zich condenswater vormen. Droog af met een zachte doek.
- de rubber afwerking om de oven heen zorgt voor het goed functioneren. Controleer dus af en toe de staat waarin deze afdichting zich bevindt. Maak hem schoon indien nodig maar vermijd producten of voorwerpen die schuren of scherp zijn. Indien de afdichting beschadigd is moet u zich wenden tot de installateur. Gebruik de oven pas weer als dit gerepareerd is.
- bekleed de bodem van de oven nooit met aluminium folie, aangezien het ophopen van hitte zowel uw gerecht als het email kan beschadigen.
- reinig de ruit van de ovendeur met niet-schurende producten en sponzen, en droog hem met een zachte doek.

Het verwijderen van de ovendeur

Voor een grondige reiniging kunt u de ovendeur verwijderen. Ga als volgt te werk:

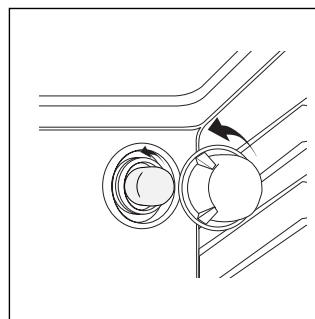
- open de deur helemaal;
- trek omhoog en draai de hendeltjes op de twee scharnieren;
- pak de deur aan beide kanten vast, doe hem langzaam maar niet helemaal dicht;
- trek de deur naar u toe en uit zijn behuizing.

Monteer de deur weer op tegenovergestelde wijze.



Het vervangen van de ovenlamp

- Sluit de stroom van de oven af door middel van de schakelaar die de installatie aan het net verbindt, of door de stekker uit het stopcontact te trekken, indien deze bereikbaar is.
- Schroef het glazen lampekopje los;
- Schroef het lampje los en vervang het met een nieuw lampje dat hittebestendig is (300°C) met de volgende kenmerken:
 - Spanning 230/240 V
 - Vermogen 25W
 - Fitting E14
- Monteer het lampekopje en sluit de stroom weer aan.



Gebruik in de oven slechts één bakplaat of ovenrek tegelijkertijd. Deze wordt hoger of lager geplaatst naar gelang het gerecht meer bovenwarmte of meer onderwarmte nodig heeft.

Voorverwarmen

Gebruik de “statische oven” voor het voorverwarmen, vrijwel altijd voor gerechten die moeten rijzen, aangezien hiermee de temperatuur in korte tijd wordt bereikt. Aan het einde van de voorverwarming, aangegeven doordat het rode controlelampje “I” uitgaat, kiest u de gewenste functie.

Vis en vlees

Gebruik voor wit vlees, gevogelte en vis temperaturen van 180 °C tot 200 °C.

Bij rood vlees is het goed te beginnen met een hogere temperatuur (200°C - 220°C) en vervolgens de temperatuur te verlagen.

Over het algemeen geldt de regel: hoe groter het stuk vlees, hoe lager de temperatuur en hoe langer de tijd van braden. Zet het vlees in het midden van het ovenrek en zet er de lekplaat onder.

Plaats het rek zodanig dat het vlees zich midden in de oven bevindt. Voor meer onderwarmte zet u het rek wat lager. Voor een heerlijk braadstuk kunt u het met spek of spekvet bedekken (vooral ook eend en wild) en zo plaatsen dat het zich boven in de oven bevindt.

Desserts

Gebruik voor gebak altijd een voorverwarmde oven en open de ovendeur niet gedurende de kooktijd aangezien het gebak in kan zakken. In het algemeen:

Taart te droog

Stel de volgende keer een temperatuur in die 10°C hoger is en maak de baktijd korter.

Taart zakt in

Maak deeg minder vloeibaar of verlaag de temperatuur met 10°C.

Taart te donker bovenop

Plaats hem op een lagere stand in de oven, stel een lagere temperatuur in en verleng de baktijd.

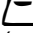
Buitenkant goed, maar van binnen niet gaar

Maak deeg minder vloeibaar, verlaag de temperatuur, verleng de baktijd.

De taart komt niet uit de vorm

Boter de vorm goed in en sprinkel er wat bloem overheen, of gebruik ovenpapier.

De grill

Gebruik de functie  “grill” met het gerecht in het midden onder de grill (op de 3° of 4° stand van beneden), aangezien alleen het middelste gedeelte van het bovenste verwarmingselement aan gaat.

Zet de lekplaat op het onderste ovenrek voor het opvangen van sappen en/of vet.

Bij deze functie hoort u de thermostaat op maximum te zetten. Dit wil niet zeggen dat u niet een lagere temperatuur kunt gebruiken door de thermostaat op de gewenste temperatuur te zetten.

Belangrijk: gebruik de grill met de ovendeur dicht, dit biedt de beste resultaten en een energiebesparing van ongeveer 10%.

De beste resultaten van de grill verkrijgt u door het ovenrek op de bovenste stand te zetten (zie kooktabel) en de bijgeleverde lekplaat voor het opvangen van vet en het vermijden van rook op de onderste stand.

Te koken voedsel	Gewicht (Kg.)	Positie van koken verdiepingen van beneden	Temperatuur (°C)	Tijd van voorverwarming (min.)	Tijd van koken (min.)
Paste					
Lasagne	2,5	3	210	-	75-80
Cannelloni	2,5	3	210	-	75-80
Tagliatelle	2,5	3	210	-	75-80
Vlees					
Kalfsvlees	1,7	3	220	-	85-90
Kip	1,5	3	220	-	110-115
Kalkoen	3,0	3	220-Max	-	95-100
Eend	1,8	3	220	-	120-125
Konijn	2,0	3	220	-	105-110
Varkensvlees	2,1	3	220	-	100-110
Schaapsvlees	1,8	3	220	-	90-95
Vis					
Makreel	1,1	3	210-220	-	55-60
Brasem	1,5	3	210-220	-	60-65
Forel	1,0	3	210-220	-	40-45
Pizze					
Napoletana	1,0	3	Max	15	30-35
Taarten					
Biscuitjes	0,5	3	180	15	30-35
Vlaai	1,1	3	180	15	30-35
Chocoladetaart	1,0	3	200	15	45-50
Rijstaart	1,0	3	200	15	50-55

N.B.: de kooktijden zijn slechts aanduidingen en kunnen variëren naar gelang uw eigen smaak.

Veiligheid is een goede gewoonte

Voor het garanderen van de efficiëntie en veiligheid van het apparaat:

- Wendt u zich alleen tot een erkend technisch service center
- Vereis altijd originele onderdelen

- **Maak gebruik van de handgrepen aan de zijkanten van de oven als u het apparaat moet verplaatsen, zo vermijdt u schade aan personen en aan de oven zelf.**
- Dit apparaat is geschikt voor niet-professioneel gebruik thuis en zijn kenmerken mogen niet veranderd worden.
- De instructies gelden alleen voor de landen van bestemming waarvan de symbolen in de gebruiksaanwijzing voorkomen en op het registratieplaatje.
- De veiligheid van dit apparaat is slechts dan gegarandeerd als het van een volgens de geldende veiligheidsnormen aangelegde aarding is voorzien.
- **Gedurende het gebruik van de oven worden de verwarmingselementen en enkele delen van de ovendeur heet. Raak er niet aan en houd de kinderen op een afstand.**

Zorg ervoor dat kinderen en onbekwame personen niet in contact komen met:

- het bedieningspaneel en het apparaat in het algemeen;
- de verpakking (plastic zakken, piepschuim, spijkers enz.);
- het apparaat gedurende en direct na gebruik van de oven of grill, vanwege de hitte;
- het apparaat ongebruikt (in dit geval moeten onderdelen onschadelijk gemaakt worden).

De volgende handelingen moeten vermeden worden:

- het apparaat met natte handen aanraken;
- het apparaat gebruiken als u blootsvoets bent;
- aan het apparaat trekken of aan de voedingskabel om de stekker uit te trekken;
- verkeerde en/of gevaarlijke manipulaties uitvoeren;
- ventilatie-openingen verstopen;
- de elektrische draden van kleine keukenapparaten op warme delen van het apparaat laten liggen;
- blootstellen aan weersomstandigheden (regen, zon);
- de oven gebruiken als opbergplaats;
- het gebruik van ontvlambare vloeistoffen nabij de oven;

- het gebruik van adapters, verlengsnoeren en/of dubbelstekkers;
- zelf installeren of repareren zonder de hulp van een erkende installateur.

Het is noodzakelijk zich tot een erkende installateur te wenden in de volgende gevallen:

- het installeren (volgens de aanwijzingen van de fabrikant);
- als u niet zeker bent of het apparaat wel goed functioneert;
- voor het vervangen van het stopcontact, als de stekker niet past.

Het is noodzakelijk zich tot de technische service van de fabrikant te wenden in de volgende gevallen:

- als het apparaat na het uitpakken beschadigd lijkt;
- als de voedingskabel beschadigd is en vervangen moet worden;
- eis bij het vervangen altijd een origineel onderdeel.

Houdt u zich aan het volgende:

- alleen koken, en geen ander gebruik van het apparaat;
- na uitpakken controleren op schade;
- de stroom van het apparaat afsluiten bij storingen en voordat u tot onderhoud overgaat;
- als de oven niet gebruikt wordt moet u de stroom uitschakelen en de gaskraan dicht doen (indien aanwezig);
- gebruik ovenwanten voor het in- en uitladen van gerechten;
- pak het handvat van de deur altijd in het midden aan, aangezien de uiteinden warm kunnen worden door een eventuele luchtstroom;
- controleer altijd dat de knoppen in de positie "●"/"o" staan als het fornuis niet gebruikt wordt.
- als u het apparaat niet meer gaat gebruiken, sluit dan de stroom af en snijd de voedingskabel door.
- de fabrikant stelt zich niet aansprakelijk voor eventuele schade veroorzaakt door: foutief installeren, onjuist, verkeerd of onredelijk gebruik.

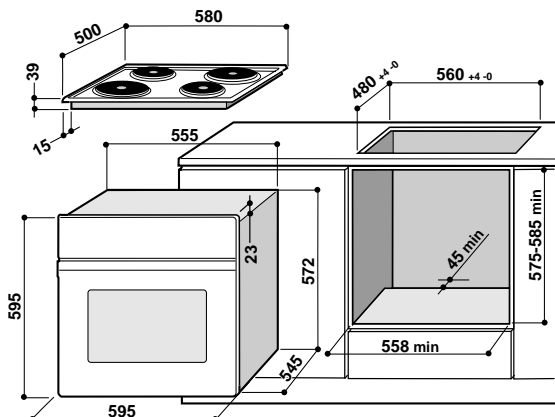
INSTALLATIE

Het installeren moet uitgevoerd worden door een bevoegde installateur en volgens de instructies van de fabrikant. Een verkeerde aansluiting kan schade veroorzaken aan personen, dieren of dingen en voor deze gevallen kan de fabrikant niet verantwoordelijk worden gesteld.

Belangrijk: sluit altijd eerst de stroom af voordat u overgaat tot regelen, onderhoud enz.

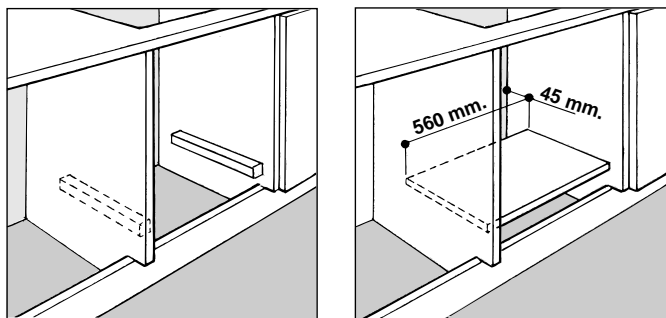
Installeren inbouwovens

Voor een goede werking van het apparaat moet het meubel de juiste kenmerken hebben. In de afbeelding vindt u de afmetingen van de uitspaarruimte voor het plaatsen onder de aanrecht of stapelbouw.



N.B.: Installatie voor aangifte energieverbruik

De achterwand van de uitspaarruimte moet verwijderd worden voor het luchten. Het is het beste als de oven op twee houten randen steunt. Indien er een doorlopende steunplaat aanwezig is moet deze van een opening worden voorzien van minstens 45 x 560 mm.

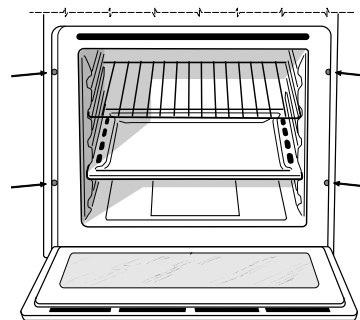


De wanden van aangrenzende kastjes moeten van hittebestendig materiaal zijn. Vooral in het geval van kastjes met fineer moet de lijm bestand zijn tegen een temperatuur van 100 °C.

Volgens de veiligheidsnormen mogen de elektrische panelen na het installeren niet aanraakbaar zijn.

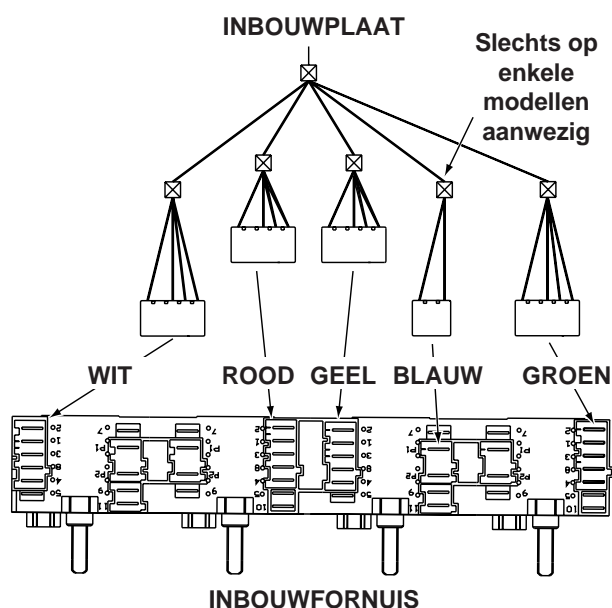
Alle beschermende onderdelen moeten zodanig zijn bevestigd dat ze niet kunnen worden verwijderd zonder gereedschap te gebruiken.

Voor het bevestigen van de oven aan het meubel opent u de ovendeur en schroeft u hem vast met 4 houtschroeven in de 4 gaten in de zijrand.



Elektrische aansluiting

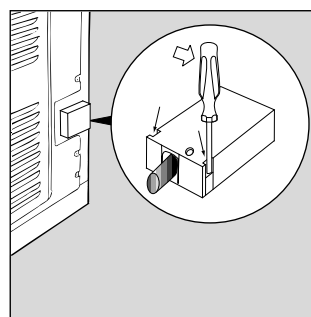
De elektrische aansluiting aan het net moet worden uitgevoerd op het fornuis. De kookplaat wordt aan het fornuis aangesloten door middel van een speciale aansluiting. De fornuizen zijn ingesteld op wisselstroom met voltage en frequentie zoals aangegeven op het typeplaatje.



Monteren voedingskabel

Opening klemmenbord:

- Licht de lipjes aan de zijkanten van de deksel van het klemmenbord op met behulp van een schroevendraaier;
- trek de deksel van het klemmenbord open



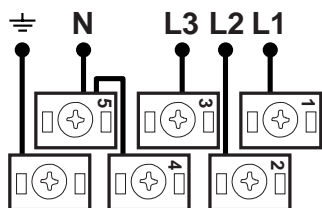
Het aansluiten van de kabel:

- schroef de schroef van de kabelklem en de schroeven van de contacten los
- **N.B.:** de overbruggingsklemmen zijn door de fabriek voorbestemd voor aansluiting aan 400V trifase (afb.D).
- voor het uitvoeren van de elektrische aansluitingen van de afbeeldingen F en G worden de twee

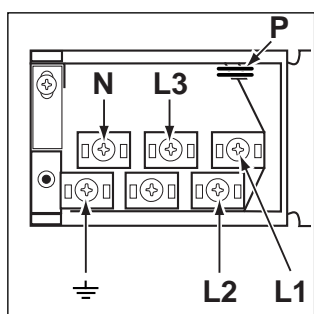
overbruggingsklemmen die zich in de doos bevinden gebruikt (afb. E - kenteken "P")

- zet de kabel vast in de kabelklem en sluit de deksel.

**400V 3N~
H05RR-F 5x2.5 CEI-UNEL 35363**

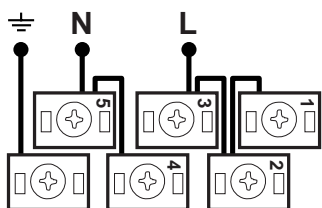


Afb. D



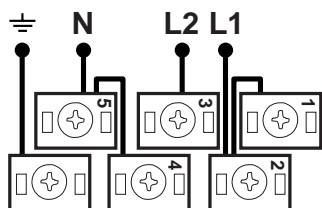
Afb. E

**230V 1N~
H07RN-F 3x4 CEI-UNEL 35364**



Afb. F

**400V 2N~
H05RR-F 4x2.5 CEI-UNEL 35363**



Afb. G

Het aansluiten van de voedingskabel aan het net

Bevestig een stekker op de voedingskabel, die geschikt is voor de lading die aangegeven wordt op het typeplaatje. In het geval er een directe aansluiting aan het net plaatsvindt, moet men tussen het apparaat en het net een veelpolige schakelaar aanbrengen met een minimum afstand tussen de contactpunten van 3 mm. Deze moet aan de lading aangepast zijn en aan de geldende normen voldoen (de geaarde kabel mag niet door de schakelaar onderbroken worden).

De voedingskabel moet zodanig geplaatst zijn, dat hij nergens een temperatuur bereikt die 50°C hoger is dan de kamertemperatuur.

Voor het aansluiten moet men controleren dat:

- De elektrische veiligheid van dit apparaat is slechts dan verzekerd als het op de juiste wijze is geaard zoals voorgeschreven door de geldende normen voor elektrische veiligheid. Het is belangrijk zich hiervan te verzekeren en, in geval van twijfel, een controle te laten uitvoeren door een bevoegde electricien. De fabrikant kan niet aansprakelijk worden gesteld voor schade die veroorzaakt is door nalatigheid betreffende het aarden van de installatie.
- Voordat het apparaat wordt aangesloten moet men zich ervan verzekeren dat de gegevens van het typeplaatje (op het apparaat en/of de verpakking) overeenkomen met de kenmerken van het elektrische net en de gasleiding.
- Controleer dat het elektrische vermogen van het net en van de stopcontacten voldoende is voor het maximum vermogen van het apparaat zoals aangegeven op het typeplaatje. In geval van twijfel moet u zich tot een bevoegde electricien wenden.
- Als de stekker en het stopcontact niet passen, dan moet de stekker vervangen worden met een passende stekker door een bevoegde electricien. Deze moet vooral ook controleren dat de doorsnede van de kabels van het stopcontact voldoende is voor het vermogen van het apparaat. Het is in het algemeen af te raden adapters, dubbelstekkers en/of verlengsnoeren te gebruiken. Als het gebruik hiervan onvermijdelijk is dan moet men enkelvoudige of meervoudige adapters en verlengsnoeren gebruiken die voldoen aan de geldende veiligheidsnormen. Let echter op de vermogensgrens van de stroom niet te overschrijden zoals deze is aangegeven op de enkele adapter en op de verlengsnoeren, en het maximum vermogen aangegeven op de meervoudige adapter. **Stekker en stopcontact moeten gemakkelijk te bereiken zijn.**

Technische gegevens

Afmetingen van de oven:

breedte : 43,5 cm

diepte: 43,5 cm

hoogte: 32 cm

Inhoud van de oven:

60 liters

ENERGY LABEL

Richtlijn 2002/40/CE op etiket van de elektrische ovens
Norm EN 50304

Energieverbruik verklaring Klasse convector Natuurlijk
verwarmingsfunctie: Statische

Voltage en frequentie van de stroomvoorzorging:

230/400V ~ 3N 50/60Hz 8200W



Dit apparaat voldoet aan de volgende EEG

Richtlijnen:

- 73/23/EEG van 19/02/73 (laagspanning) en successievelijke modificaties;
- 89/336/EEG van 03/05/89 (elektromagnetische compatibiliteit) en successievelijke modificaties;
- 93/68/EEG van 22/07/93 en successievelijke modificaties;
- 2002/96/EC

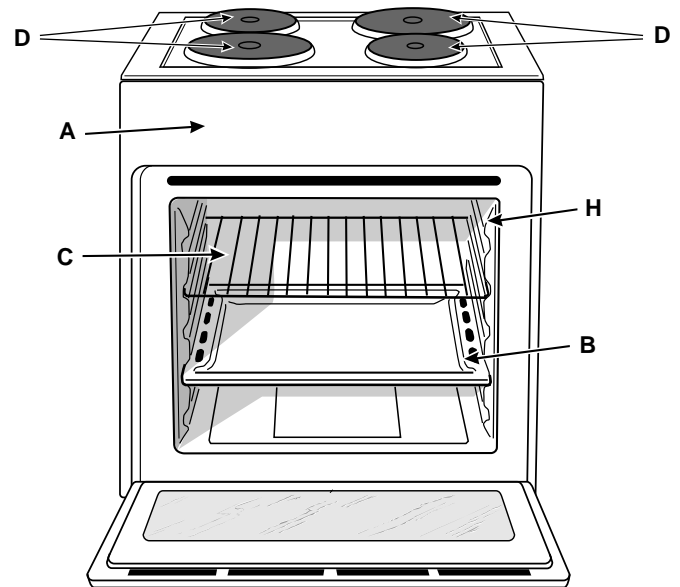
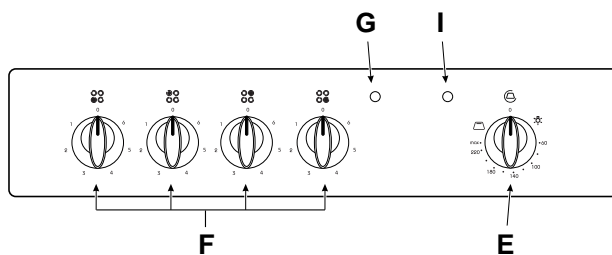
De Europese Richtlijn 2002/96/EC over Vernietiging van Elektrische en Electronische Apparatuur (WEEE), vereist dat oude huishoudelijke elektrische apparaten niet mogen vernietigd via de normale ongesorteerde afvalstroom. Oude apparaten moeten apart worden ingezameld om zo het hergebruik van de gebruikte materialen te optimaliseren en de negatieve invloed op de gezondheid en het milieu te reduceren. Het symbool op het product van de "afvalcontainer met een kruis erdoor" herinnert u aan uw verplichting, dat wanneer u het apparaat vernietigt, het apparaat apart moet worden ingezameld.

Consumenten moeten contact opnemen met de lokale autoriteiten voor informatie over de juiste wijze van vernietiging van hun oude apparaat.

Wir danken Ihnen, dass Sie dieses sichere und äußerst leicht zu bedienende Indesit-Gerät gewählt haben. Um sich mit diesem vertraut zu machen und es auf optimale Art zu gebrauchen lernen, empfehlen wir Ihnen, dieses Handbuch vor Inbetriebnahme des Gerätes aufmerksam zu lesen, da es wichtige Hinweise hinsichtlich der Sicherheit bei der Installation, dem Gebrauch und der Wartung liefert. Bewahren Sie dieses Handbuch sorgfältig auf, damit Sie es jederzeit zu Rate ziehen können. Danke.

Aus der Nähe betrachtet

- A. **Schalterblende**
- B. **Fettpfanne bzw. Backblech**
- C. **Backofenrost**
- D. **Elektroplatte**
- E. **Drehknopf Garfunktionen**
- F. **Elektroplatten-Reglerknöpfe**
- G. **Elektroplatten-Betriebsanzeigeleuchte**
- H. **Gleitführungen für Backblech und Backofenroste**
- I. **Backofen-Betriebsanzeigeleuchte** (nur an einigen Modellen) - Diese bleibt während der Aufheizphase bis zum Erreichen der Temperatur eingeschaltet.



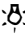
Inbetriebnahme des Gerätes

Die Wahl der einzelnen Herd-Funktionen erfolgt mittels der auf der Schalterblende angeordneten Reglerknöpfe.

Zur Beachtung: Bei erstmaliger Inbetriebnahme sollte der leere Backofen für etwa 30 Minuten bei eingestellter Höchsttemperatur und **geschlossenem** Backofentür in Betrieb gesetzt werden. Nach Ablauf dieser Zeit schalten Sie den Backofen aus, öffnen die Backofentür und lüften die Küche. Der hierbei evtl. entstehende Geruch wird durch das Verdunsten der zum Schutz des Backofens während des Zeitraums zwischen Produktion und erster Inbetriebnahme aufgetragenen Stoffe verursacht.

Zur Beachtung: Verwenden Sie bitte die erste (die unterste) Führungsschiene nur für die Fettpfanne, d.h. zum Auffangen des abtropfenden Fleischsaftes und/oder Fettes beim Grillen oder bei Einsatz des Bratspießes (nur an einigen Modellen). Für alle anderen Gararten ist diese Führungsschiene nicht zu verwenden. Stellen Sie bei in Betrieb befindlichem Backofen auch niemals Kochgeschirr auf den Boden des eingeschalteten Backofens, Sie könnten hierdurch das Email beschädigen. Stellen Sie Ihr Kochgeschirr (Auflaufformen, Alufolien, usw.) stets auf die ordnungsgemäß in die Führungsschienen eingesetzten, mit dem Gerät gelieferten Backofenroste.

Backofen-Reglerknopf (E)

Mit diesem können die einzelnen Backofenfunktionen und die für die Speisen geeignetste Gartemperatur (zwischen 60°C e 240°C) eingestellt werden. Durch Drehen des Reglerknopfes im Uhrzeigersinn wird die Backofenbeleuchtung eingeschaltet  und das obere und das untere Heizelement (Elektrowiderstände) aktiviert. Sie können nun aus der nachfolgenden Temperaturskala die zum Garen geeignetste Temperatur einstellen, indem Sie die auf dem Knopf angegebenen Heizwerte mit den auf der Schalterblende aufgedruckten Werten in Übereinstimmung bringen (Statischer Backofen).


60	•	100	•	140	•	180	•	220	Max
		80		120		160		200	240

Die gewählte Temperatur wird automatisch erreicht und durch den mittels des Temperaturwählers geregelten Thermostaten konstant gehalten.

Oberer Heizwiderstand

Drehen Sie den Knopf auf diese Position, schaltet sich die Backofenbeleuchtung ein und das obere Heizelement wird aktiviert.

Backofenbeleuchtung

Diese wird durch Drehen des Knopfes „E“ auf das Symbol  eingeschaltet. Sie beleuchtet das Ofeninnere und bleibt eingeschaltet, solange sich irgendein elektrisches Backofenheizelement in Betrieb befindet.

Schalterknöpfe für die Elektroplatten des Kochfeldes (F)

Die Herde können mit Normal-, Schnellaufheiz- und Automatik-Elektroplatten in unterschiedlichen Kombinationen bestückt sein (die Schnellaufheizplatten sind durch einen roten Punkt in Plattenmitte, die Automatik-Platten durch eine Alu-Diskette in Plattenmitte gekennzeichnet).

Um zu große Wärmeverluste und Schäden an den Platten zu verhindern, sollten Sie Töpfe und Pfannen mit glattem Boden verwenden, deren Durchmesser nicht kleiner ist, als der der Elektroplatte.

Der Tabelle können Sie entnehmen, welche Platte und welche Einstellung für welche Garart am besten geeignet ist.

Einstellung	Normal- oder Schnellkochplatte
0	Ausgeschaltet
1	Garen von Gemüse, Fisch
2	Kartoffeln (dämpfen) Gemüsesuppen, Kichererbsen, Bohnen
3	Weitergaren von Eintopfgerichten und Gemüsesuppen
4	Braten (mäßige Hitze)
5	Braten (starke Hitze)
6	Anbraten von Fleisch und rasches Aufkochen von Speisen

Vor erstmaliger Inbetriebnahme müssen die Elektroplatten, ohne Topf, für ungefähr 4 Minuten auf höchster Temperaturstufe erhitzt werden. Während dieser ersten Heizphase härtet der Schutzüberzug und erreicht so seine höchste Beständigkeit.

Elektroplatten-Betriebsanzeigeleuchte (G)

Diese schaltet sich ein, sobald irgendein Kochfeld-Heizelement in Betrieb gesetzt wird.

Einsatz des Kochfeldes

Ihr Kochfeld gibt Ihnen sein Bestes, wenn Sie beim Kochen bzw. bei der Zubereitung von Speisen einige grundlegende Regeln beachten.

- Benutzen Sie Kochgeschirr mit flachem Boden, um sicher zu sein, dass er ganz auf der Heizfläche aufliegt.



- Benutzen Sie Kochgeschirr, dessen Durchmesser mit dem der Elektroplatte übereinstimmt, d.h. dessen Boden die Elektroplatte ganz bedeckt, und somit die gesamte Wärme genutzt wird.



- Stellen Sie sicher, dass die Geschirrböden stets sauber und trocken sind, damit ein optimaler Kontakt und eine lange Lebensdauer der Kochplatten und des Kochgeschirrs gewährleistet wird.

So halte ich das Gerät in Topform

Vor jeder Reinigung und Pflege muß das Gerät vom Stromnetz getrennt werden.

Um eine lange Lebensdauer des Backofens zu gewährleisten, muß er regelmäßig gründlich gereinigt werden.

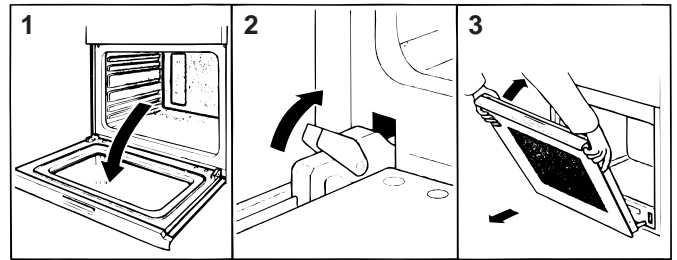
Berücksichtigen Sie hierbei, dass:

- **Verwenden Sie zur Reinigung bitte keine Dampfgeräte.**
- die Oberflächen aus Email oder Edelstahl mit lauwarmem Wasser zu reinigen sind; verwenden Sie bitte keine Scheuermittel oder scharfe Reiniger, die diese hochwertigen Oberflächen beschädigen könnten. Auf Edelstahl könnten sich Flecken bilden. Sollten diese nur schwer zu entfernen sein, empfehlen wir den Einsatz der im Handel erhältlichen Spezialreinigungs- und Pflegemittel. Es ist ratsam, diese Teile nach der Reinigung gut nachzuspülen und trockenzureiben;
- der noch lauwarme Backofen möglichst nach jedem Gebrauch mit warmem Wasser und Spülmittel gereinigt, mit klarem Wasser nachgespült und mit einem weichen Tuch sorgfältig abgetrocknet werden sollte. Vermeiden Sie den Einsatz von Scheuermitteln (zum Beispiel Pulver-Reinigern usw.) und Scheuerschwämmen, oder Säuren (z.B. Antikalklösungen usw.), diese könnten das Email beschädigen. Verwenden Sie bei besonders hartnäckigen Verschmutzungen die üblicherweise zur Reinigung des Backofens bestimmten Spezialreiniger. Halten Sie sich jedoch genau an die auf der Packung angegebenen Gebrauchsanleitungen;
- sich bei längerer Betriebszeit des Backofens Kondenswasser bilden könnte. Reiben Sie dieses mit einem weichen Tuch trocken;
- die rund um die Backofenöffnung befindliche Dichtung die korrekte Funktionsweise des Backofens garantiert. Der Zustand dieser Dichtung sollte demnach regelmäßig überprüft werden. Gegebenenfalls ist diese zu reinigen, wobei jedoch keine Scheuermittel oder -produkte zu verwenden sind. Wenden Sie sich im Falle einer Beschädigung dieser Dichtung an Ihre nächstgelegene Kundendienststelle. Es empfiehlt sich, den Backofen bis zur erfolgten Reparatur nicht in Gebrauch zu nehmen;
- der Backofenboden niemals mit Alufolie ausgelegt werden darf, da der hierdurch verursachte Wärmestau den Garvorgang gefährden und auch das Email beschädigen würde.
- das Glas des Backofenfensters mit einem milden Reiniger und einem weichen Schwammtuch gereinigt und anschließend mit einem weichen Tuch trockengerieben werden muss.

Abnehmen der Backofentür

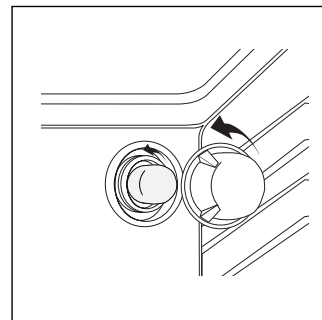
Um den Backofen mühelos gründlich reinigen zu können, kann die Backofentür abgenommen werden. Verfahren Sie hierzu wie folgt:

- die Tür ganz öffnen;
 - klappen Sie die seitlich an den beiden Scharnieren befindlichen Hebel hoch und drehen Sie diese nach links;
 - fassen Sie die Tür an den beiden äußeren Seiten und schließen Sie sie langsam, jedoch nicht ganz;
 - ziehen Sie die Tür zu sich hin aus ihrer Lagerung heraus.
- In umgekehrter Reihenfolge wird die Tür wieder angebracht.



Lampenwechsel im Backofenraum

- Die Stromversorgung des Backofens abschalten, und zwar entweder mit dem für den Anschluß an die Stromleitung verwendeten allpoligen Schalter, oder durch Herausziehen des Steckers, sofern dieser zugänglich ist.
- Die Glasabdeckung der Lampenhalterung herausdrehen.
- Die Lampe herausschrauben und durch eine hitzebeständige Lampe (300°C) nachstehender Eigenschaften ersetzen:
 - Spannung 230/240 V
 - Leistung 25W
 - Sockel E14
- Die Glasabdeckung einsetzen und die Stromversorgung zum Backofen wieder herstellen.



Verwenden Sie bei Garen im Backofen immer nur ein Backblech bzw. Rost. Schieben Sie dieses entweder auf die unteren oder auf die oberen Führungsschienen, je nach dem, ob mehr Ober- oder mehr Unterhitze verlangt wird.

Vorheizen

Sollte sich ein Vorheizen des Backofens als erforderlich erweisen, wie bei Hefeteigen usw., dann empfiehlt sich der Einsatz der Funktion „Statischer Backofen“, da auf dieser Einstellung die gewünschte Temperatur in kürzester Zeit erreicht wird. Nach Ablauf der Vorheizzeit, angezeigt durch Erlöschen der roten Kontrollleuchte „I“, wählen Sie die jeweils geeignetste Garfunktion.

Fisch und Fleisch

Für Geflügel und Fisch stellen Sie eine Temperatur von 180 °C - 200 °C ein.

Für Rinderbraten, der außen gut angebraten, innen jedoch saftig bleiben soll, empfiehlt es sich, das Fleisch bei hoher Temperatur (200°C-220°C) rasch anzubraten, um dann auf eine niedrigere Temperatur überzugehen.

Als Richtlinie gilt: je größer der Braten, desto niedriger die Temperatur und um so länger die Bratzeit. Legen Sie den Braten in die Mitte auf den Rost und schieben Sie die Fettpfanne unter den Rost, um das abtropfende Fett aufzufangen.

Den Rost so einschieben, daß sich der Braten auf der mittleren Einschubhöhe befindet. Wird mehr Unterhitze gewünscht, muß der Braten auf eine niedrigere Ebene eingeschoben werden. Belegen Sie das Fleisch (insbesondere bei Entenbraten und Wild) mit Speckscheiben, das garantiert besonders schmackhafte Braten, und schieben Sie den Braten so ein, dass er möglichst viel Oberhitze bekommt.

Backen

Bevor Sie Kuchen in den Backofen geben, ist der Backofen stets vorzuheizen. Um zu vermeiden, dass der Kuchen zusammenfällt, sollte die Backofentür während des Backens nicht geöffnet werden. Was tun wenn:

Der Kuchen zu trocken ist ?

Das nächste Mal stellen Sie eine um 10°C höhere Temperatur ein und verkürzen Sie die Backzeit.

Der Kuchen zusammenfällt ?

Verwenden Sie weniger Flüssigkeit oder stellen Sie eine um 10°C niedrigere Temperatur ein.

Der Kuchen an der Oberseite zu dunkel ist ?

Wählen Sie eine niedrigere Einschubhöhe, eine niedrigere Temperatur und verlängern Sie die Backzeit.


Der Kuchen außen gut gebacken aber innen noch klebrig ist ?

Verwenden Sie weniger Flüssigkeit, reduzieren Sie die Temperatur, verlängern Sie die Backzeit.

Der Kuchen sich nicht aus der Form löst ?

Fetten Sie die Kuchenform gut ein und bestäuben Sie sie mit etwas Mehl oder legen Sie Backpapier in die Form.

Gebrauch des Grills

Bei Einsatz der Funktion  "grill" sollte das Grillgut auf die Mitte des Rostes (3. oder 4. Einschubhöhe von unten) gelegt werden, da auf dieser Einstellung nur der mittlere Teil des oberen Heizwiderstandes eingeschaltet ist.

Verwenden Sie die 1. Einschubhöhe nur für die Fettpfanne, die Sie zum Auffangen des abtropfenden Fettes bzw. Fleischsaftes unter das Grillgut schieben.

Bei Einsatz dieser Funktion sollte der Thermostat auf die höchste Stufe eingestellt werden. Dies bedeutet jedoch nicht, dass, falls erforderlich, nicht auch niedrigere Temperaturen eingestellt werden können. Drehen Sie den Thermostaten ganz einfach auf die gewünschte Temperatur.

Wichtig: Grillen Sie bitte bei halbgeöffneter Backofentür.

Die besten Resultate erzielen Sie durch Einschieben des Grillrostes auf die unteren Führungen (siehe Tabelle) und schieben Sie die Fettpfanne unter das Grillgut (unterste Führung), um abtropfendes Fett aufzufangen und Rauchbildung zu vermeiden.

Zu kochende Gerichte	Gewicht (Kg)	Kochstellung Etagen von unten	Thermo-stats- tellung (°C)	Ankochzeit (min)	Kochzeiten (min)
Teigwaren					
Lasagne	2,5	3	210	-	75-80
Cannelloni	2,5	3	210	-	75-80
Bandnudeln	2,5	3	210	-	75-80
Fleisch					
Kalb	1,7	3	220	-	85-90
Huhn	1,5	3	220	-	110-115
Trutfahn	3,0	3	220-Max	-	95-100
Ente	1,8	3	220	-	120-125
Kaninchen	2,0	3	220	-	105-110
Schwein	2,1	3	220	-	100-110
Lamm	1,8	3	220	-	90-95
Fisch					
Makrelen	1,1	3	210-230	-	55-60
Zahnbrassen	1,5	3	210-230	-	60-65
Forelle in Folie	1,0	3	210-230	-	40-45
Pizza					
Pizza "Napoli"	1,0	3	Max	15	30-35
Gebäck					
Kekse	0,5	3	180	15	30-35
Mürbeteigkuchen	1,1	3	180	15	30-35
Schokoladenkuchen	1,0	3	200	15	45-50
Hefekuchen	1,0	3	200	15	50-55

Anmerkung: Bei den angegebenen Garzeiten handelt es sich um Richtwerte, die je nach Geschmack geändert werden können.

Die Sicherheit - Eine gute Gewohnheit

Um die Leistungsfähigkeit und Sicherheit dieses Gerätes zu gewährleisten, bitte folgendes beachten:

- wenden Sie sich ausschließlich an unsere anerkannten Kundendienst-Zentren
- verlangen Sie, dass nur Original-Ersatzteile verwendet werden.

- **Bedienen Sie sich zur Positionsveränderung des Geräts stets der an den Seiten des Ofens eingekerbten Griffe. Sie vermeiden auf diese Weise Schäden an Personen oder am Gerät selbst.**
- Das Gerät ist für den Einsatz im privaten Haushalt bestimmt; seine Eigenschaften dürfen nicht verändert werden.
- Die Anweisungen gelten nur für die Bestimmungsländer, deren Symbole im Handbuch und auf dem Typenschild angegeben sind.
- Die elektrische Sicherheit dieses Gerätes wird nur dann gewährleistet, wenn es sachgemäß und gemäß den einschlägigen Sicherheitsvorschriften an eine leistungsfähige Erdungsanlage angeschlossen wird.
- **Bei in Betrieb befindlichem Gerät werden die Heizelemente und einige Ofentürteile sehr heiß. Vermeiden Sie demnach, diese zu berühren und halten Sie Kinder vom Ofen fern.**

Folgende Gefahrenquellen sollten für Kinder und unfähige Personen nicht zugänglich sein:

- die Bedienungselemente und das Gerät im allgemeinen;
- die Verpackung (Plastikbeutel, Nägel usw.)
- das Gerät während des Gebrauchs und auch sofort nach dem Gebrauch, da es sehr heiß werden kann;
- das Altgerät (bei einem solchen muss auch dafür gesorgt werden, dass keines seiner Bestandteile mehr eine Gefahrenquelle darstellen kann).

Vermeiden Sie bitte:

- das Gerät mit feuchten Körperteilen zu berühren;
- das Gerät barfuß zu benutzen;
- den Stecker am Kabel oder am Gerät selbst aus der Steckdose zu ziehen;
- unsachgemäße und demnach gefährliche Eingriffe;
- die Be- und Entlüftungsschlitze zu verstopfen;
- dass das Kabel kleiner Elektrogeräte mit heißen Teilen des Backofens in Berührung kommt;
- das Gerät der Witterung (Regen, Sonne usw.) auszusetzen;
- den Backofen als Lagerungsstätte zu verwenden;
- den Gebrauch brennbarer Flüssigkeiten in seiner Nähe;

- den Einsatz von Adaptern, Vielfachsteckdosen und/oder Verlängerungen;
- Installations- und Reparationsversuche, ohne Fachpersonal anzufordern.

Fordern Sie absolut Fachpersonal an:

- für die Installation (gemäß den Anweisungen des Herstellers);
- bei Zweifeln hinsichtlich der Funktionsweise;
- wenn die Steckdose ausgetauscht werden muss, falls diese mit dem Gerätestecker nicht übereinstimmen sollte.

Fordern Sie den Einsatz von Technikern der vom Hersteller anerkannten Kundendienststellen an bei:

- Zweifeln hinsichtlich der Unversehrtheit des Gerätes nach Abnahme des Verpackungsmaterials;
- Beschädigung oder Austausch des Zufuhrkabels;
- Störungen oder schlechter Betriebsweise, und verlangen Sie den Einsatz von Original-Ersatzteilen.

Folgendes sollte befolgt werden:

- Verwenden Sie das Gerät für keine anderen Zwecke, als zum Garen von Speisen.
- Überzeugen Sie sich nach Abnahme der Verpackung, dass das Gerät auch nicht beschädigt wurde.
- Trennen Sie das Gerät bei Betriebsstörungen, vor der Wartung und Reinigung vom Stromnetz.
- Schalten Sie das Gerät vom Stromnetz ab, und drehen Sie den Gashahn (wenn vorgesehen) ab, wenn das Gerät nicht in Betrieb ist.
- Verwenden Sie Backofenhandschuhe.
- Fassen Sie den Griff stets in der Mitte an, da die Seitenteile durch eventuellen Heißluftaustritt äußerst heiß sein könnten.
- Vergewissern Sie sich stets, daß sich die Reglerknöpfe auf Position "●"/"o" befinden, wenn sich das Gerät nicht in Gebrauch befindet.
- Schneiden Sie bitte vor der Entsorgung Ihres Altgerätes das (vom Stromnetz getrennte!) Elektrokabel ab.
- Der Hersteller kann für eventuelle, durch fehlerhafte Installation, oder unsachgemäßen, falschen oder unangemessenen Gebrauch nicht haftbar gemacht werden.

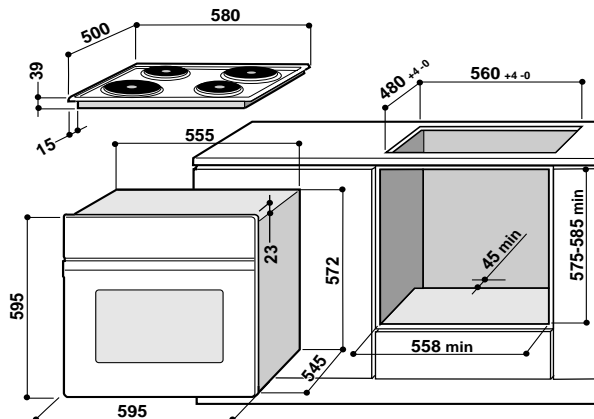
INSTALLIERUNG

Die Installation ist von Fachpersonal und gemäß den Anweisungen des Herstellers durchzuführen. Eine unsachgemäße Installation kann zu Schäden an Personen, Tieren oder Gegenständen führen, für die der Hersteller nicht zur Verantwortung gezogen werden kann.

Wichtig: Vor jeder Einstellung, Wartung usw. muss der Backofen vom Stromnetz getrennt werden.

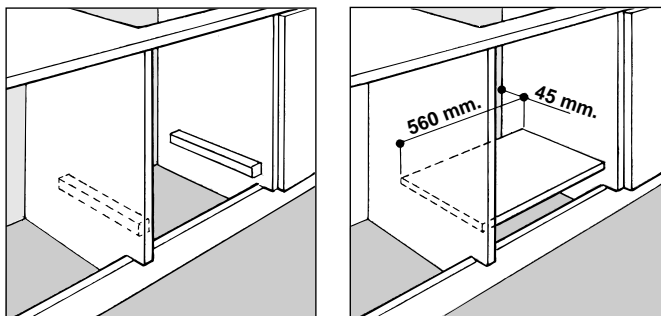
Installation der Einbaubacköfen

Um eine einwandfreie Betriebsweise des Gerätes zu gewährleisten, muss der Umbauschrank geeignete Merkmale aufweisen. Auf nachstehender Abbildung sind die jeweils für den Einbau in einen Unterbau oder in einen Hochschrank erforderlichen Abmessungen ersichtlich.



NB: Installation zwecks Energiedeklaration

Um eine einwandfreie Belüftung zu gewährleisten, muss die Rückwand des Schrankumbaus abgenommen werden. Der Backofen sollte möglichst so installiert werden, dass er auf zwei Holzleisten aufliegt; sollte eine durchgehende Fläche als Auflage vorhanden sein, muss diese mit einem Ausschnitt von mindestens 45 x 560 mm versehen werden.

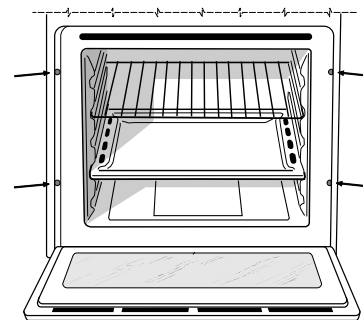


Die an den Backofen angrenzenden Schrankwände müssen aus hitzebeständigem Material beschaffen sein. Dies gilt besonders für Möbel aus Furnierholz, deren Leim einer Temperatur von 100 °C standhalten muss.

Gemäß den Sicherheitsvorschriften muss nach erfolgtem Einbau die Möglichkeit einer Berührung mit den Elektroteilen ausgeschlossen sein.

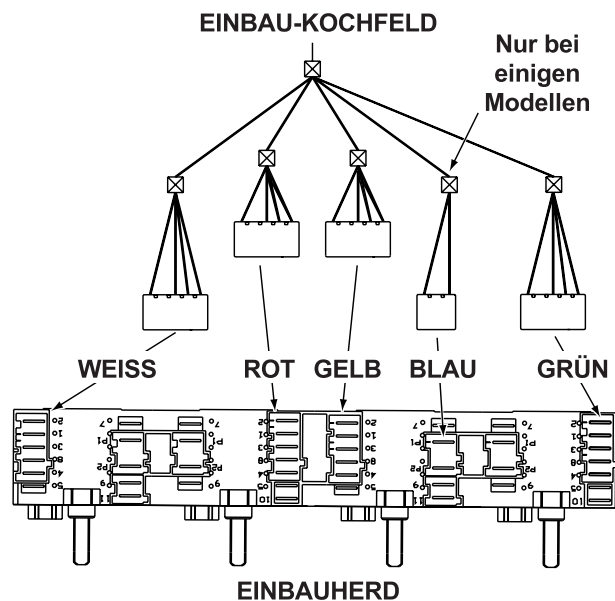
Alle zum Schutz dienenden Teile müssen so befestigt werden, dass ein Entfernen derselben ohne ein Werkzeug zu Hilfe nehmen zu müssen, nicht möglich ist.

Zur Befestigung des Backofens am Möbel öffnen Sie die Backofentür und befestigen Sie ihn dann mittels 4 Holzschrauben, die in die 4 im Backofenrahmen befindlichen Löcher einzuschrauben sind.



Elektroanschluss

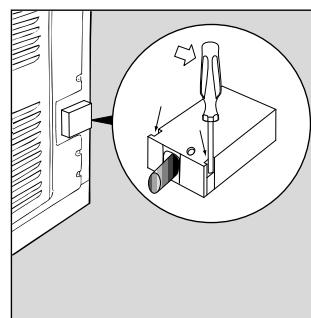
Der Anschluss an das Stromnetz ist am Herd vorzunehmen. Das Kochfeld wird mittels eines geeigneten Verbinders an den Herd angeschlossen. Die Herde sind für den Betrieb mit Wechselstrom mit der auf dem Typenschild angegebenen Versorgungsspannung und -frequenz ausgelegt.



Verlegen des Netzkabels

Öffnen des Klemmgehäuses:

- Heben Sie unter Zuhilfenahme eines Schraubenziehers die seitlichen Zungen des Klemmgehäusedeckels an.
- Ziehen Sie den Deckel des Klemmgehäuses ab.



Verlegen Sie nun das Versorgungskabel wie folgt:

- schrauben Sie die Schraube der Kabelklemme sowie die der Kontakte aus;

Anmerkung: Die Brücken werden vom Hersteller für einen 400V Dreiphasenanschluss (Abb. D) vorgesehen.

- Zur Durchführung der elektrischen Anschlüsse der Abb. F und G sind die beiden Brücken aus dem Gehäuse zu verwenden (Abb. E - Bezugspunkt "P").

- das Versorgungskabel in der entsprechenden Kabelklemme befestigen und den Deckel schließen.

**400V 3N~
H05RR-F 5x2.5 CEI-UNEL 35363**

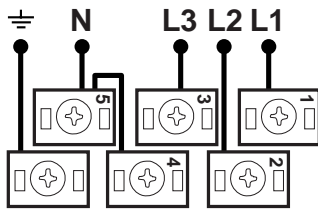


Abb. D

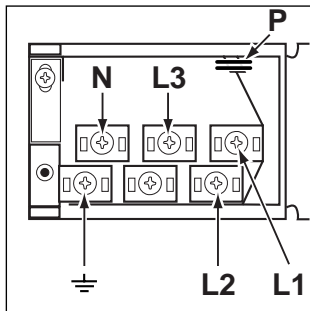


Abb. E

**230V 1N~
H07RN-F 3x4 CEI-UNEL 35364**

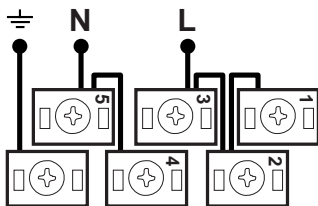


Abb. F

**400V 2N~
H05RR-F 4x2.5 CEI-UNEL 35363**

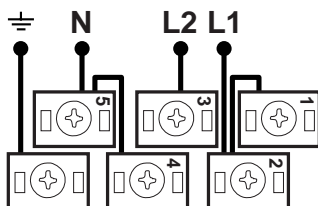


Abb. G

Anschluß des Versorgungskabels an das Stromnetz

Versehen Sie das Kabel mit einem Normstecker für die auf dem Typenschild angegebene Belastung; wird das Gerät direkt an das Stromnetz angeschlossen, ist ein allpoliger Schalter mit einer Mindestöffnung von 3 mm, der der Strombelastung und den geltenden Richtlinien entspricht, zwischenschalten (der Erdleiter darf nicht durch den Schalter unterbrochen werden).

Das Versorgungskabel muß so verlaufen, daß es an keiner Stelle eine Temperatur erreicht, die 50°C über der Raumtemperatur liegt.

Bevor der Anschluß vorgenommen wird, beachten Sie, daß:

- Die elektrische Sicherheit dieses Gerätes nur dann gewährleistet ist, wenn es sachgemäß und gemäß den geltenden Sicherheitsvorschriften an eine leistungsfähige Erdungsanlage angeschlossen wird. Die Gegebenheit dieser grundlegenden Sicherheitsanforderung muß überprüft werden, im Zweifelsfalle ist eine Kontrolle durch Fachpersonal anzufordern. Der Hersteller kann für eventuelle durch Fehlen einer Erdungsanlage verursachte Schäden nicht zur Verantwortung gezogen werden.
- Vor Anschluß des Gerätes kontrollieren Sie bitte, daß die auf dem Typenschild (befindlich auf dem Gerät und/oder auf der Verpackung) angegebenen Daten mit denen des Stromversorgungsnetzes übereinstimmen.
- Vergewissern Sie sich davon, daß die elektrische Leistung der Anlage und der Steckdosen der maximalen, auf dem Typenschild angegebenen Höchstleistung des Gerätes entspricht. Im Zweifelsfalle ziehen Sie bitte einen Fachmann zu Rate.
- Falls Steckdose und Stecker des Gerätes nicht übereinstimmen sollten, ist die Steckdose von einem Fachmann durch eine andere geeigneten Typs zu ersetzen. Derselbe muß bei der Gelegenheit auch überprüfen, daß der Steckdosen-Kabelquerschnitt der Leistungsaufnahme des Gerätes entspricht. Allgemein ist die Verwendung von Adpatern, Vielfachsteckdosen und/oder Verlängerungen nicht ratsam. Falls deren Gebrauch jedoch unvermeidlich sein sollte, dürfen nur Einfach- oder Vielfachadapter und Verlängerungen verwendet werden, die den geltenden Sicherheitsvorschriften entsprechen; achten Sie darauf, daß die auf dem Einfachadapter und den Verlängerungen angegebene Stromleistungsgrenze und die auf dem Vielfachadapter angegebene Höchstleistungsgrenze nicht überschritten wird. **Stecker und Steckdose müssen leicht zugänglich sein.**

Technische Eigenschaften

Nutzabmessungen des Backofens:

Breite: cm 43,5
Tiefe: cm 43,5
Höhe: cm 32

Nutzvolumen des Backofens:

Liter 60

ENERGIE-ETIKETT

Richtlinie 2002/40/CE über die Etikettierung von Elektrobacköfen

Norm EN 50304

Deklarierte Energieverbrauchsklasse Natürliche Konvektion

Heizfunktion: Statischer

Versorgungsspannung und -frequenz:

230/400V ~ 3N 50/60Hz 8200W



Dieses Gerät entspricht den folgenden EG-Richtlinien:

- 73/23/**EWG** vom 19.02.73 (Niederspannung) und nachfolgenden Änderungen;
- 89/336/**EWG** vom 03.05.89 (elektromagnetische Verträglichkeit) und nachfolgenden Änderungen;
- 93/68/**EWG** vom 22.07.93 und nachfolgenden Änderungen.
- 2002/96/**EC**

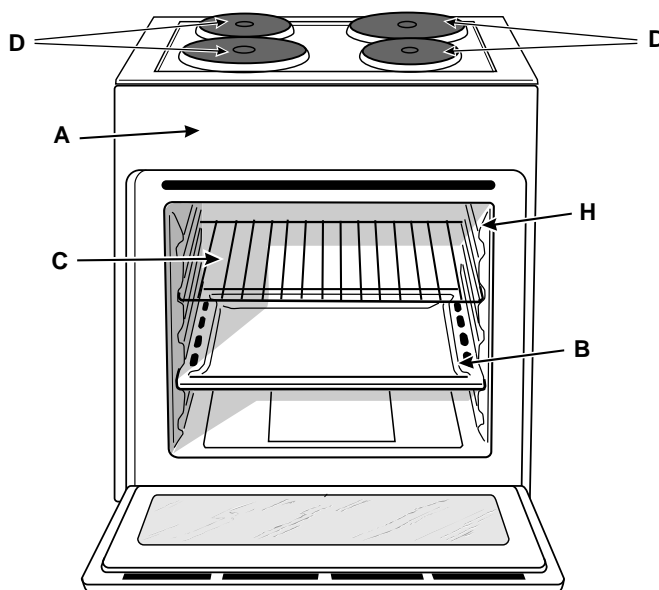
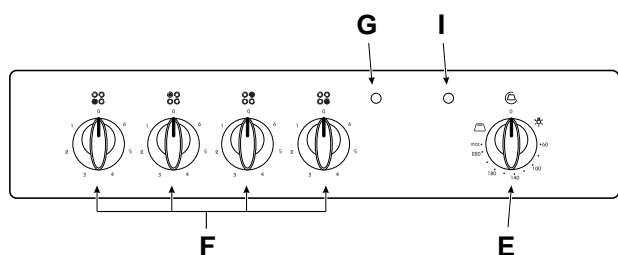
Gemäß der Europäischen Richtlinie 2002/96/EC über Elektro- und Elektronik-Altgeräte (WEEE) dürfen Elektrohaushalts-Altgeräte nicht über den herkömmlichen Haushaltsmüllkreislauf entsorgt werden. Altgeräte müssen separat gesammelt werden, um die Wiederverwertung und das Recycling der beinhaltenen Materialien zu optimieren und die Einflüsse auf die Umwelt und die Gesundheit zu reduzieren. Das Symbol „durchgestrichene Mülltonne“ auf jedem Produkt erinnert Sie an Ihre Verpflichtung, dass Elektrohaushaltsgeräte gesondert entsorgt werden müssen.

Endverbraucher können sich an Abfallämter der Gemeinden wenden, um mehr Informationen über die korrekte Entsorgung ihrer Elektrohaushaltsgeräte zu erhalten.

Σας ευχαριστούμε που επιλέξατε ένα προϊόν Indesit, ασφαλές και πραγματικά εύκολο στη χρήση. Για να το γνωρίσετε, και να το χρησιμοποιείτε καλύτερα και επί μακρόν, σας συμβουλεύουμε, πριν χρησιμοποιήσετε τη συσκευή, να διαβάσετε προσεκτικά τις προειδοποιήσεις που περιέχονται στο παρόν εγχειρίδιο, αφού σας παρέχουν σημαντικές υποδείξεις σχετικά με την ασφάλεια εγκατάστασης, χρήσης και συντήρησης. Διατηρείστε με φροντίδα το εγχειρίδιο αυτό για κάθε μελλοντική περιαιτέρω αναφορά. Ευχαριστούμε.

Κοιτώντας το από κοντά

- A. Ταμπλό εντολών
- B. Λιποσυλλέκτης ή επίπεδο ψησίματος
- C. Πλέγμα επιπέδου φούρνου
- D. Ηλεκτρική εστία
- E. Επιλογέας λειτουργιών ψησίματος
- F. Επιλογείς ηλεκτρικών εστιών
- G. Ενδεικτική λυχνία λειτουργίας ηλεκτρικών εστιών
- H. Οδηγοί ολίσθησης λιποσυλλεκτών και πλεγμάτων
- I. Ενδεικτική λυχνία λειτουργίας του φούρνου (παρούσα μόνο σε ορισμένα μοντέλα) - Αν είναι αναμμένη δείχνει τη φάση θέρμανσης μέχρι την τεθείσα θερμοκρασία



Πως χρησιμοποιείται

Η επιλογή των διαφόρων λειτουργιών που υπάρχουν στο φούρνο πραγματοποιείται ενεργώντας στα συστήματα και όργανα εντολών που βρίσκονται στη μετώπη της.

Προσοχή: Στο πρώτο άναμμα, σας συνιστούμε να λειτουργήσετε το φούρνο άδειο για περίπου μισή ώρα με τον θερμοστάτη στο μέγιστο, κατόπιν ανοίξτε την πόρτα και αερίστε το χώρο. Η οσμή που μερικές φορές αναπτύσσεται κατά την εργασία αυτή οφείλεται στην εξάτμιση των ουσιών που χρησιμοποιούνται για να προστατεύσουν το φούρνο στο διάστημα που μεσολαβεί από την παραγωγή του προϊόντος μέχρι την εγκατάσταση.

Προσοχή: Χρησιμοποιείτε το πρώτο επίπεδο από κάτω, τοποθετώντας τον λιποσυλλέκτη που σας παρέχεται για τη συλλογή ζωμών ή/και λιπών, μόνο στη περίπτωση ψησίματος στο γκριλ ή στη σουβλά (μόνο σε ορισμένα μοντέλα). Για τα άλλα ψησίματα μη χρησιμοποιείτε ποτέ το πρώτο επίπεδο από κάτω και μην ακουμπάτε ποτέ αντικείμενα στη βάση του φούρνου ενώ μαγειρεύετε γιατί θα μπορούσατε να προκαλέσετε ζημιές στο σμάλτο. Να τοποθετείτε πάντα τα σκεύη σας (πυρέξ, φύλλα αλουμινίου, κλπ.) στο πλέγμα που σας παρέχεται με τη συσκευή και που είναι τοποθετημένο στους οδηγούς του φούρνου.

Ο επιλογέας του φούρνου (E)

Είναι η διάταξη που επιτρέπει την επιλογή των διαφόρων λειτουργιών του φούρνου και την επιλογή της θερμοκρασίας ψησίματος της πλέον κατάλληλης για το ψήσιμο φαγητών μεταξύ εκείνων που αναφέρονται στον ίδιο τον επιλογέα (μεταξύ 60°C και 240°C). Στρέφοντας τον επιλογέα δεξιόστροφα ανάβει το φως του φούρνου και τίθενται σε λειτουργία τα θερμαντικά στοιχεία, επάνω και κάτω (ηλεκτρικές αντιστάσεις) και μπορείτε να επιλέξετε, από την πλήρη γκάμα τιμών που αναφέρονται παρακάτω, την πλέον κατάλληλη θερμοκρασία για τα προς ψήσιμο φαγητά. Αυτό επιτυγχάνεται κάνοντας να συμπίσει η επιθυμητή ένδειξη με τη σταθερή ένδειξη επί του ταμπλό (Στατικός φούρνος).

60	•	100	•	140	•	180	•	220	Max
		80		120		160		200	240

Η τεθείσα θερμοκρασία επιτυγχάνεται αυτόματα και διατηρείται σταθερή από το όργανο ελέγχου (το θερμοστάτη) που διευθύνεται από τον επιλογέα.

Θέση Επάνω Αντίστασης

Στρέφοντας τον επιλογέα μέχρι τη θέση αυτή ανάβει το φως του φούρνου και τίθεται σε λειτουργία η επάνω

αντίσταση.

Το φως του φούρνου

Ανάβει στρέφοντας τον επιλογέα "E" στο σύμβολο :ϕ: . Φωτίζεται ο φούρνος και παραμένει αναμμένο ενόσω είναι σε λειτουργία ένα οποιοδήποτε ηλεκτρικό θερμαντικό στοιχείο του φούρνου.

Οι επιλογείς εντολών των ηλεκτρικών εστιών της επιφάνειας μαγειρέματος (F)

Οι κουζίνες μπορεί να είναι εφοδιασμένες με ηλεκτρικές εστίες κανονικές, ταχείες και αυτόματες σε διάφορους συνδυασμούς (οι ταχείες εστίες διακρίνονται από τις άλλες από την παρουσία μιάς κόκκινης σφραγίδας στο κέντρο). Για να αποφευχθεί η διασπορά θερμότητας και ζημιές στις εστίες είναι καλό να χρησιμοποιείτε σκεύη με βάση επίπεδη και διάμετρο όχι μικρότερη από εκείνη της εστίας. Στον πίνακα αναφέρονται οι αντιστοιχίες μεταξύ των θέσεων των επιλογέων και της χρήσης για την οποία οι εστίες προτείνονται.

Θέση	Εστία κανονική ή ταχεία
0	Σβηστό
1	Ψήσιμο χορταρικών, ψαρικών
2	Πατάτες στον ατμό, μινέστρες, φασόλια, ρεβύθια
3	Συνέχιση ψησίματος μεγάλων τροφίμων, μινέστρες
4	Ψήσιμο (μέτριο)
5	Ψήσιμο (δυνατό)
6	Ροδοκοκκίνισμα η επίτευξη βρασμού σε σύντομο χρόνο

Πριν τη χρησιμοποιήσετε για πρώτη φορά, πρέπει να θερμάνετε τις εστίες στη μέγιστη θερμοκρασία για περίπου 4 λεπτά, χωρίς κατσαρόλα. Κατά την αρχική αυτή φάση, η προστατευτική επένδυση σκληραίνει και αποκτά την μέγιστη αντίσταση.

Ενδεικτικό φωτάκι λειτουργίας ηλεκτρικών εστιών (G)

Είναι αναμμένο όταν έχει τεθεί σε λειτουργία ένα οποιοδήποτε ηλεκτρικό θερμαντικό στοιχείο της επιφάνειας μαγειρέματος.

Χρήση της επιφάνειας

Για να έχετε καλύτερα αποτελέσματα από τη επιφάνεια μαγειρέματος υπάρχουν ορισμένα βασικά τεχνάσματα που πρέπει να εφαρμόσετε κατά το ψήσιμο ή την προετοιμασία των φαγητών.

- Να χρησιμοποιείτε κατσαρόλες με επίπεδη βάση για να είναι σίγουρη η επαφή της κατσαρόλας στη ζώνη ψησίματος.



- Να χρησιμοποιείτε κατσαρόλες τέτοιας διαμέτρου που να καλύπτεται τελείως η εστία μαγειρέματος, έτσι ώστε να εξασφαλίζεται η χρήση όλης της διαθέσιμης θερμότητας.



- Βεβαιωθείτε ότι η βάση των κατσαρολών είναι πάντα στεγνή και καθαρή, για μια καλύτερη επαφή και μεγαλύτερη διάρκεια ζωής των εστιών και των ίδιων των κατσαρολών.

Πριν από κάθε ενέργεια να αποσυνδέετε τη συσκευή από τη ηλεκτρική τροφοδοσία.

Για μια μεγάλη διάρκεια ζωής του φούρνου είναι απαραίτητο να εκτελείτε συχνά μια σχολαστική γενική καθαριότητα, λαμβάνοντας υπόψη ότι:

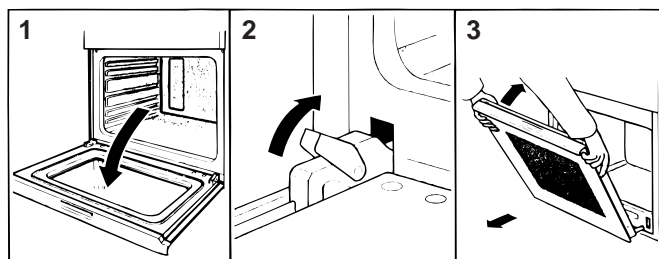
- **Για τον καθαρισμό μη χρησιμοποιείτε συσκευές ατμού.**
- α εξωτερικά επισμαλτωμένα ή ανοξειδωτα μέρη πλένονται με χλιαρό νερό χωρίς τη χρήση αποξυστικών και διαβρωτικών ουσιών που θα μπορούσαν να τα καταστρέψουν. Το ανοξειδωτο ασάλι μπορεί να παραμείνει λεκιασμένο. Αν οι λεκέδες είναι δύσκολοι για να φύγουν χρησιμοποιήστε ειδικά προϊόντα του εμπορίου. Σας συνιστούμε να ξεπλένετε με άφθονο νερό και να στεγνώνετε μετά τον καθαρισμό.
- το εσωτερικό του φούρνου καθαρίζεται, κατά προτίμηση κάθε φορά μετά τη χρήση, όταν είναι ακόμη χλιαρός, χρησιμοποιώντας ζεστό νερό και απορρυπαντικό, ξεπλένοντας και στεγνώνοντας κατόπιν προσεκτικά με ένα απαλό πανί. Αποφεύγετε τη χρήση αποξυστικών απορρυπαντικών (για παράδειγμα τις σκόνες, κλπ.) και τα αποξυστικά σφουγγαράκια για πιάτα ή οξέα (για παράδειγμα αφλατικά, κλπ...), διότι θα μπορούσαν να καταστρέψουν το σμάλτο. Αν η βρωμιά είναι ιδιαίτερα ανθεκτική, χρησιμοποιήστε ένα ειδικό προϊόν για καθαρισμό φούρνου, σύμφωνα με τις οδηγίες που αναγράφονται στην συσκευασία.
- αν χρησιμοποιείτε επί μακρόν τον φούρνο θα μπορούσε να σχηματιστεί συμπύκνωμα. Σκουπίστε το με ένα μαλακό πανί.
- γύρω από το άνοιγμα του φούρνου, ένα λάστιχο διασφαλίζει τη σωστή του λειτουργία. Να ελέγχετε, λοιπόν, περιοδικά την κατάσταση της τσιμούχας αυτής. Αν χρειαστεί καθαρίστε το αποφεύγοντας τη χρήση προϊόντων ή αντικειμένων αποξυστικών. Αν σας προκύψει φθαρμένο απευθυνθείτε στο πλησιέστερο Κέντρο Τεχνικής Υποστήριξης. Συνιστάται να μη χρησιμοποιείτε τον φούρνο μέχρι την επισκευή του.
- μην ντύνετε ποτέ το φόντο του φούρνου με αλουμινόχαρτο, διότι η συνεπαγόμενη συσσώρευση της θερμότητας θα διακύβευε το ψήσιμο καταστρέφοντας επίσης και το σμάλτο.
- οι ηλεκτρικές εστίες καθαρίζονται με ένα πανί υγρό και αλείφονται με λίγο λάδι όσο είναι ακόμη χλιαρές.
- καθαρίστε το τζάμι της πόρτας του φούρνου χρησιμοποιώντας προϊόντα και σφουγγαράκια μη αποξυστικά και στεγνώστε με ένα μαλακό πανί.

Πως αφαιρείται η πόρτα του φούρνου

Για ένα σχολαστικό καθαρισμό μπορείτε να αφαιρέσετε την πόρτα του φούρνου. Προχωρήστε με τον ακόλουθο τρόπο:

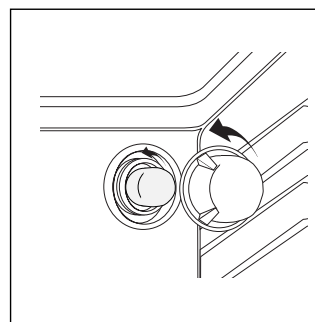
- ανοίξτε τελείως την πόρτα
- ανασηκώστε και στρέψτε τους μοχλούς που βρίσκονται στους δύο μεντεσέδες
- πιάστε την πόρτα από τα δύο εξωτερικά πλευρά, ξανακλείστε τη αργά αλλά όχι τελείως
- τραβήξτε την πόρτα προς το μέρος σας βγάζοντάς την από την έδρα της.

Ξαναμοντάρετε την πόρτα ακολουθώντας την παραπάνω διαδικασία αλλά αντίστροφα.



Αντικατάσταση της λυχνίας στο διαμέρισμα φούρνου

- Διακόψτε την τροφοδοσία του φούρνου μέσω του πολυπολικού διακόπτη που χρησιμοποιείται για τη σύνδεση του φούρνου στην ηλεκτρική εγκατάσταση, ή βγάλτε το βύσμα, αν είναι προσβάσιμο.
- Ξεβιδώστε το γυάλινο κάλυμμα της λυχνίας.
- Ξεβιδώστε την λυχνία και αντικαταστήστε τη με μία που είναι ανθεκτική σε υψηλές θερμοκρασίες (300°C) με τα παρακάτω χαρακτηριστικά:
 - Τάση 230/240 V
 - Ισχύς 25W
 - Σύνδεση E14
- Ξαναμοντάρετε το γυάλινο κάλυμμα και επανατροφοδοτήστε τον φούρνο με ρεύμα.



Πρακτικές συμβουλές για το ψήσιμο

Στο ψήσιμο στο φούρνο χρησιμοποιείτε ένα μόνο λιποσυλλέκτη ή πλέγμα τη φορά. Αυτό τοποθετείται στους κάτω ή επάνω οδηγούς ανάλογα αν το ψήσιμο απαιτεί περισσότερη θερμότητα από κάτω ή από πάνω.

Προθέρμανση

Σε περίπτωση που είναι αναγκαίο να προθερμάνετε τον φούρνο, σε γενικές γραμμές όλες τις φορές που μαγειρεύονται φαγητά με μαγιά, είναι θεμιτό να χρησιμοποιείτε τη λειτουργία του “στατικού φούρνου” που επιτρέπει την επίτευξη της θερμοκρασίας σε σύντομο χρόνο. Στο τέλος της προθέρμανσης, που υποδεικνύεται από το σβήσιμο του κόκκινου ενδεικτικού φωτός “I”, επιλέξτε την πλέον ενδεδειγμένη λειτουργία ψησίματος.

Ψήσιμο κερατικών και ψαρικών

Για τα λευκά κρέατα, τα πουλερικά και τα ψαρικά χρησιμοποιείτε θερμοκρασίες da 180 °C a 200 °C. Για τα κόκκινα κρέατα που θέλετε να είναι καλοψημένα εξωτερικά διατηρώντας στο εσωτερικό των το ζουμί τους είναι καλό να ξεκινάτε με μία αρχική θερμοκρασία υψηλή (200°C-220°C) για μικρό χρονικό διάστημα, και κατόπιν χαμηλώστε την.

Γενικά όσο πιο ογκώδες είναι το ψητό τόσο χαμηλότερη πρέπει να είναι η θερμοκρασία και πιο παρατεταμένος ο χρόνος ψησίματος. Τοποθετείστε το προς ψήσιμο κρέας στο κέντρο του γκριλ και βάλτε κάτω από το γκριλ το ταψί περισυλλογής λίπους (λιποσυλλέκτης).

Τοποθετείστε το πλέγμα έτσι ώστε η τροφή να βρίσκεται στο κέντρο του φούρνου. Αν επιθυμείτε περισσότερη θερμότητα από κάτω, χρησιμοποιείτε τα χαμηλότερα επίπεδα. Για να πετύχετε ψητά εύγευστα (ειδικά πάπια και κυνήγι) περιτυλίξτε το κρέας με λαρδί ή χοιρινό λίπος και τοποθετείστε το έτσι ώστε να βρίσκεται στο πάνω μέρος.

Ψήσιμο των γλυκών

Στο ψήσιμο των γλυκών να προθερμαίνετε πάντα τον φούρνο και, για να αποφύγετε το “κάθισμα” του γλυκού, μην ανοίγετε την πόρτα κατά το ψήσιμο. Γενικά:

Γλυκό πολύ ξερό

Την επόμενη φορά θέστε μιά θερμοκρασία κατά 10°C υψηλότερη και μειώστε το χρόνο ψησίματος.

Γλυκό που “καθίζει”

Χρησιμοποιείτε λιγότερο υγρό και χαμηλώστε τη θερμοκρασία κατά 10°C.

Γλυκό σκούρο επιφανειακά

Τοποθετείστε το χαμηλότερα, θέστε μια θερμοκρασία χαμηλότερη και παρατείνετε το ψήσιμο..


Καλό εξωτερικό ψήσιμο, μα εσωτερικά κολλάει

Χρησιμοποιείτε λιγότερο υγρό, μειώστε τη θερμοκρασία, αυξήστε το χρόνο ψησίματος

Το γλυκό δεν ξεκολλάει από τη φόρμα

Αλείψτε καλά τη φόρμα και αλευρώστε τη ή χρησιμοποιήστε χαρτί φούρνου

Χρήση του γκριλ

Χρησιμοποιείτε τη λειτουργία  “grill” τοποθετώντας το τρόφιμο στο κέντρο του πλέγματος (στο 3° ή 4° επίπεδο ξεκινώντας από κάτω), δεδομένου ότι παραμένει αναμμένο μόνο το κεντρικό μέρος της επάνω αντίστασης.

Χρησιμοποιείτε το πρώτο επίπεδο από κάτω, τοποθετώντας τον λιποσυλλέκτη που σας παρέχεται για τα ζουμιά ή/και τα λίπη.

Όταν χρησιμοποιείτε τη λειτουργία αυτή, συνιστούμε να θέτετε τον θερμοστάτη στο μέγιστο. Αυτό, όμως, δεν σημαίνει ότι δεν μπορούν να χρησιμοποιηθούν χαμηλότερες θερμοκρασίες, απλά ρυθμίζοντας τον επιλογέα του θερμοστάτη στην επιθυμητή θερμοκρασία.

Σημαντικό: να πραγματοποιείτε το ψήσιμο στο γκριλ με την πόρτα του φούρνου κλειστή, κι αυτό για να επιτυγχάνετε μαζί με τα καλύτερα αποτελέσματα μια αισθητή εξοικονόμηση ενέργειας (10% περίπου).

Όσο τα καλύτερα αποτελέσματα, με τη χρήση των λειτουργιών του γκριλ, επιτυγχάνονται τοποθετώντας το πλέγμα στα τελευταία επίπεδα ξεκινώντας από κάτω (βλέπε πίνακα ψησίματος) και κατόπιν, για να συλλέξετε τα λίπη και την αποφυγή παραγωγής κάπνας, βάλτε τον λιποσυλλέκτη που σας παρέχεται στο πρώτο επίπεδο από κάτω.

Τροφή για μαγείρεμα	Βάρος (Kg.)	Θέση ψησίματος επίπεδα από κάτω	Θερμοκρασία (°C)	Χρόνος προθέρμανσης (min.)	Χρόνος ψήσ ματος (min.)
Ζυμαρικά					
Λαζάνια	2,5	3	210	-	75-80
Κανελόνια	2,5	3	210	-	75-80
Ταλιατέλες	2,5	3	210	-	75-80
Κρεατικά					
Βαδινό	1,7	3	220	-	85-90
Κοτόπουλο	1,5	3	220	-	110-115
Γαλοπούλα	3,0	3	220-Max	-	95-100
Πάπια	1,8	3	220	-	120-125
Κουνέλι	2,0	3	220	-	105-110
Χοιρινό	2,1	3	220	-	100-110
Αρνάκι	1,8	3	220	-	90-95
Ψαρικά					
Σκουμπριά	1,1	3	210-220	-	55-60
Συναγρίδες	1,5	3	210-220	-	60-65
Π στροφα σε λαδόχαρτο	1,0	3	210-220	-	40-45
Πίτσες και Κέικ					
Ναπολετάνα	1,0	3	Max	15	30-35
Μπισκόττα	0,5	3	180	15	30-35
Κροστάτα	1,1	3	180	15	30-35
Κέικ σοκολάτας	1,0	3	200	15	45-50
Κέικ ζύμης	1,0	3	200	15	50-55

Σημείωση: οι χρόνοι ψήσματος είναι καθαρά ενδεικτικοί και μπορούν να αλλάζουν ανάλογα με τις προσωπικές προτιμήσεις.

Η ασφάλεια μια καλή συνήθεια

Για να εξασφαλίσετε την αποτελεσματικότητα και την ασφάλεια της συσκευής αυτής:

- απευθύνεστε αποκλειστικά σε εξουσιοδοτημένα κέντρα τεχνικής υποστήριξης
- να ζητάτε πάντα τη χρήση αυθεντικών ανταλλακτικών

- Για τη μετακίνηση της συσκευής, και για να αποσοβηθούν ζημιές σε άτομα και στο ίδιο το προϊόν, να χρησιμοποιείτε πάντα τις αντίστοιχες λαβές που υπάρχουν στα πλαϊνά του φούρνου.
- Η συσκευή αυτή σχεδιάστηκε για μη επαγγελματική χρήση, στο εσωτερικό κατοικίας και τα χαρακτηριστικά της δεν πρέπει να τροποποιούνται.
- Οι οδηγίες αυτές ισχύουν μόνο για τις χώρες προορισμού τα σύμβολα των οποίων απεικονίζονται στο εγχειρίδιο και στην ταμπελίτσα μητρώου.
- Η ηλεκτρική ασφάλεια της συσκευής αυτής διασφαλίζεται μόνο όταν η ίδια είναι σωστά συνδεδεμένη με μία αποτελεσματική εγκατάσταση γείωσης όπως προβλέπεται από τους ισχύοντες κανονισμούς ασφαλείας.
- Κατά τη χρήση της συσκευής τα θερμαντικά στοιχεία και ορισμένα μέρη της πόρτας του φούρνου θερμαίνονται πολύ. Προσέξτε πολύ να μη τα αγγίξετε και κρατάτε τα παιδιά σε απόσταση.

Επειδή πρόκειται για πηγές θερμότητας, μην επιτρέπετε σε παιδιά ή ανίκανα άτομα να έρθουν σε επαφή με:

- τους εντολείς και τη συσκευή γενικά
- τις συσκευασίες (σακούλες, πολυστυρόλ, καρφιά, κλπ.)
- τη συσκευή, κατά και μετά τη λειτουργία του φούρνου και του γκριλ, δεδομένης της υπερθέρμανσής τους
- την σε αχρησία συσκευή (στην περίπτωση αυτή καθίστανται αβλαβή τα μέρη που θα μπορούσαν να είναι επικίνδυνα).

Αποφεύγονται οι ακόλουθες ενέργειες:

- να αγγίζετε τη συσκευή με βρεγμένα μέρη του σώματος
- να τη χρησιμοποιείτε με γυμνά πόδια
- να τραβάτε τη συσκευή ή το καλώδιο τροφοδοσίας για να την αποσυνδέσετε από την πρίζα ρεύματος
- άσκοπες και επικίνδυνες ενέργειες
- να βουλώνουν τα ανοίγματα αερισμού ή αποβολής της θερμότητας
- να καταλήγει το καλώδιο τροφοδοσίας μικρών ηλεκτρικών συσκευών σε θερμά μέρη της συσκευής
- μην την αφήνετε εκτεθειμένη σε ατμοσφαιρικούς παράγοντες (βροχή, ήλιο, κλπ.)
- η χρήση του φούρνου ως αποθηκευτικού χώρου
- η χρήση εύφλεκτων υγρών πλησίον της συσκευής

- η χρήση προσαρμοστικών, πολύπριζων ή/και προεκτάσεων
- προσπάθειες εγκατάστασης ή επισκευής χωρίς την επέμβαση ειδικευμένου προσωπικού.

Πρέπει οπωσδήποτε να απευθύνεστε σε ειδικευμένο προσωπικό στις ακόλουθες περιπτώσεις:

- εγκατάσταση (σύμφωνα με τις οδηγίες του κατασκευαστή)
- όταν αμφιβάλλετε για τη λειτουργία
- αντικατάσταση της πρίζας σε περίπτωση ασυμβατότητας με το βύσμα της συσκευής.

Πρέπει να απευθύνεστε στα εξουσιοδοτημένα κέντρα τεχνικής υποστήριξης στις ακόλουθες περιπτώσεις:

- αν αμφιβάλλετε για την ακεραιότητα της συσκευής αφού έχετε αφαιρέσει τη συσκευασία
- ζημιά ή αντικατάσταση του καλωδίου τροφοδοσίας
- σε περίπτωση βλάβης ή κακής λειτουργίας, ζητώντας αυθεντικά ανταλλακτικά.

Είναι σκόπιμο να εκτελείτε τις ακόλουθες διεργασίες:

- μόνο το ψήσιμο των φαγητών, αποφεύγοντας άλλες ενέργειες
- να ελέγχετε την ακεραιότητα αφού αφαιρέσετε τη συσκευασία
- να αποσυνδέετε τη συσκευή από το ηλεκτρικό δίκτυο σε περίπτωση κακής λειτουργίας και πριν από οποιαδήποτε ενέργεια καθαρισμού ή συντήρησης
- όταν δεν χρησιμοποιείται, να αποσυνδέετε τη συσκευή από το ηλεκτρικό δίκτυο και να κλείνετε τον κρουνό του αερίου (αν προβλέπεται)
- να χρησιμοποιείτε γάντια για το φούρνο για να εισάγετε ή να βγάξετε σκεύη
- να πιάνετε πάντα τη λαβή του φούρνου στο κέντρο, δεδομένου ότι στο άκρο θα μπορούσε να είναι πιο θερμή εξ αιτίας της εξόδου θερμού αέρα
- να ελέγχετε πάντα αν οι επιλογείς είναι στη θέση “•”/”ο” όταν η συσκευή δεν χρησιμοποιείται
- να κόβετε το καλώδιο τροφοδοσίας αφού το έχετε αποσυνδέσει από το ηλεκτρικό δίκτυο όταν αποφασίζετε να μη χρησιμοποιήσετε πια τη συσκευή.
- Ο κατασκευαστής δεν μπορεί να θεωρηθεί υπεύθυνος για ενδεχόμενες ζημιές προερχόμενες από: λανθασμένη εγκατάσταση, χρήσεις αλόγιστες, λανθασμένες και άσκοπες.

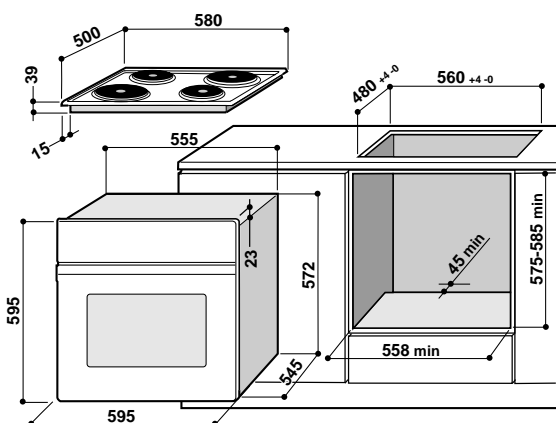
Εγκατάσταση

Η εγκατάσταση πρέπει να πραγματοποιηθεί σύμφωνα με τις οδηγίες του κατασκευαστή από προσωπικό επαγγελματικά ειδικευμένο. Μια λανθασμένη εγκατάσταση μπορεί να προξενήσει ζημιές σε πρόσωπα, ζώα ή πράγματα, έναντι των οποίων ο κατασκευαστής δεν μπορεί να θεωρηθεί υπεύθυνος.

Σημαντικό: οποιαδήποτε επέμβαση ρύθμισης, συντήρησης κλπ. πρέπει να εκτελείται με τον φούρνο αποσυνδεδεμένο ηλεκτρικά.

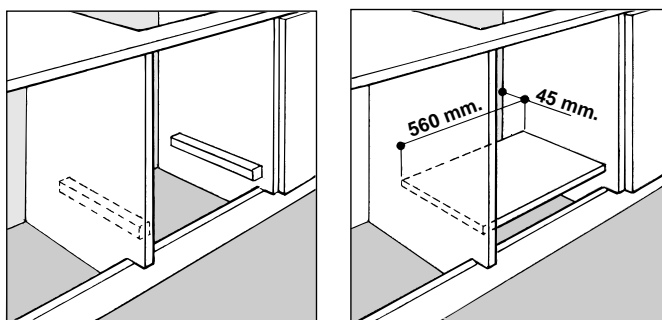
Εγκατάσταση των εντοιχιζόμενων φούρνων

Για να διασφαλίσετε μια καλή λειτουργία της εντοιχιζόμενης συσκευής πρέπει το επίπλο να έχει κατάλληλα χαρακτηριστικά. Στην παρακάτω εικόνα παραθέτονται οι διαστάσεις του χώρου του επίπλου.



ΣΗΜΕΙΩΣΗ: Εγκατάσταση για δήλωση καταναλώσεων

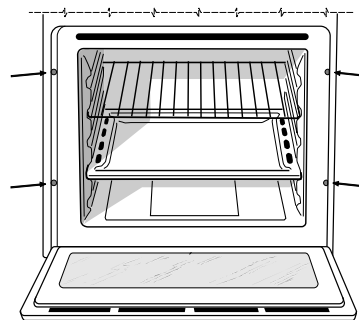
Για να διασφαλιστεί ένας καλός αερισμός πρέπει να αφαιρεθεί το πίσω τοίχωμα του χώρου, είναι προτιμότερο να εγκαταστήσετε τον φούρνο έτσι ώστε να ακουμπάει σε δύο ξύλινους πηχίς. Σε περίπτωση που υπάρχει ένα συνεχές επίπεδο στήριξης, αυτό πρέπει να έχει ένα άνοιγμα τουλάχιστον 45 x 560 mm.



Τα πάνελ των γειτονικών του φούρνου επίπλων πρέπει να είναι φτιαγμένα από υλικό ανθεκτικό στη θερμότητα. Ειδικότερα, στην περίπτωση ξύλινων επίπλων καπλαμά οι κόλλες πρέπει να αντέχουν σε θερμοκρασία των 100°C. Σύμφωνα με τους κανονισμούς ασφαλείας, αφού εντοιχιστεί η συσκευή, δεν πρέπει να υφίστανται ενδεχόμενες επαφές με τα ηλεκτρικά τοιχώματα.

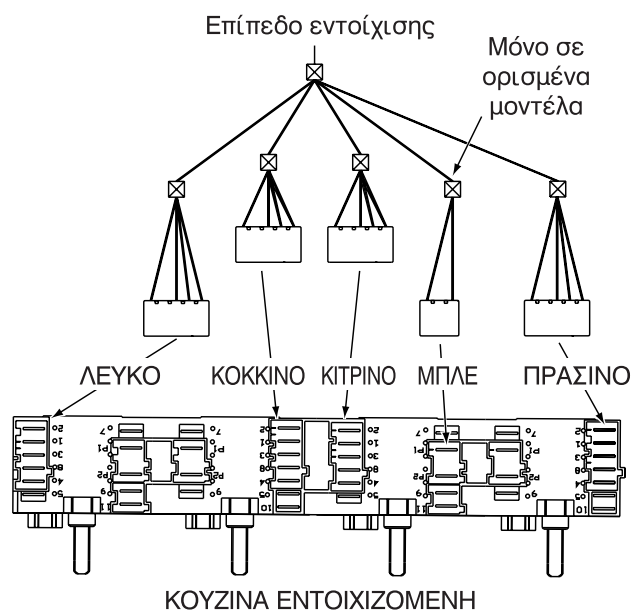
Όλα τα μέρη που διασφαλίζουν την προστασία πρέπει να στερεώνονται με τέτοιο τρόπο που να μην μπορεί να αφαιρεθεί χωρίς τη βοήθεια κάποιου εργαλείου.

Για να στερεώσετε το φούρνο στο επίπλο ανοίξτε την πόρτα του φούρνου και στερεώστε τον φούρνο διαμέσου των 4 ξύλινων βιδών στις 4 οπές που βρίσκονται στο περιμετρικό πλαίσιο.



Ηλεκτρική σύνδεση

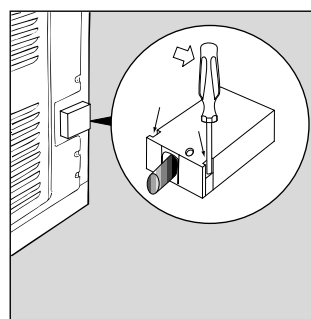
Η ηλεκτρική σύνδεση στο δίκτυο πρέπει να γίνει στην κουζίνα. Η επιφάνεια συνδέεται στην κουζίνα διαμέσου ενός κατάλληλου συνδέσμου. Οι κουζίνες είναι διαμορφωμένες για λειτουργία με εναλλασσόμενο ρεύμα σε τάση και συχνότητα τροφοδοσίας που αναφέρεται στην πινακίδα χαρακτηριστικών.



Σύνδεση καλωδίου τροφοδοσίας

Άνοιγμα της πινακίδας ακροδεκτών:

- Χρησιμοποιώντας ένα κατσαβίδι, κρατήστε κόντρα στις πλευρικές γλωσσίσσες του καπακιού της πινακίδας ακροδεκτών
- Τραβήξτε και ανοίξτε το καπάκι της πινακίδας ακροδεκτών.



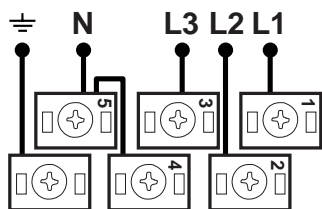
Για τη θέση σε λειτουργία του καλωδίου εκτελέστε τις ακόλουθες ενέργειες:

- ξεβιδώστε τη βίδα και τις βίδες των επαφών

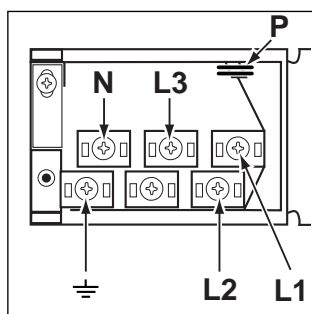
Σημείωση: οι γέφυρες είναι διευθετημένες από το Εργοστάσιο για τη σύνδεση σε 400V τριφασικό (εικ. D).

- για την εκτέλεση των ηλεκτρικών συνδέσεων των εικ. F και εικ. G, χρησιμοποιήστε τις δύο γέφυρες που βρίσκονται εντός του κιβωτίου (εικ. E - σχετικό "P")
- στερεώστε το καλώδιο τροφοδοσίας στο αντίστοιχο κλιπ καλωδίου και κλείστε το καπάκι

**400V 3N~
H05RR-F 5x2.5 CEI-UNEL 35363**

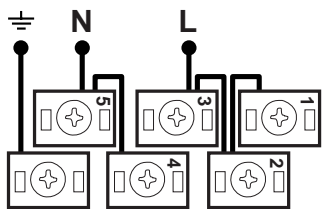


Eik. D



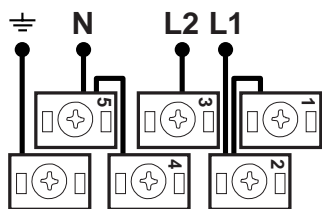
Eik. E

**230V 1N~
H07RN-F 3x4 CEI-UNEL 35364**



Eik. F

**400V 2N~
H05RR-F 4x2.5 CEI-UNEL 35363**



Eik. G

Σύνδεση του καλωδίου τροφοδοσίας στο δίκτυο

Μοντάρετε στο καλώδιο ένα βύσμα κανονικοποιημένο για το φορτίο που αναφέρεται στην πινακίδα των στοιχείων, στην περίπτωση απ' ευθείας σύνδεσης στο δίκτυο εγκαταστήστε μεταξύ της συσκευής και του δικτύου ένα ομοιογενή διακόπτη με ελάχιστο άνοιγμα μεταξύ των επαφών 3 mm. που να επαρκεί για το φορτίο και να τηρεί τις ισχύουσες προδιαγραφές (ο αγωγός γείωσης δεν πρέπει να διακόπτεται από τον διακόπτη).

Το καλώδιο τροφοδοσίας πρέπει να είναι τοποθετημένο με τέτοιο τρόπο ώστε σε κανένα σημείο του η θερμοκρασία να μην υπερβαίνει εκείνη του περιβάλλοντος κατά 50°C.

Πριν πραγματοποιήσετε τη σύνδεση βεβαιωθείτε ότι:

- Η ηλεκτρική ασφάλεια της συσκευής αυτής διασφαλίζεται μόνο όταν η ίδια είναι σωστά συνδεδεμένη σε μια εγκατάσταση γείωσης που λειτουργεί και τηρεί τις προδιαγραφές των ισχυόντων κανονισμών ηλεκτρικής ασφάλειας. Ελέγξτε αν αυτή η βασική προϋπόθεση ασφάλειας τηρείται πάντα. Σε περίπτωση αμφιβολιών, ζητήστε εξουχιστικό έλεγχο από έναν αναγνωρισμένο τεχνικό. Ο κατασκευαστής δεν μπορεί να θεωρηθεί υπεύθυνος για ενδεχόμενες ζημιές προκληθείσες από την απουσία γείωσης στην εγκατάσταση.
- Πριν συνδέσετε τη συσκευή, βεβαιωθείτε ότι τα στοιχεία επί της πινακίδας (επί της συσκευής ή/και επί της συσκευασίας) ανταποκρίνονται σε εκείνα του δικτύου διανομής ηλεκτρικού και αερίου.
- Ελέγξτε αν η ηλεκτρική παροχή της εγκατάστασης και τα πριζών αρκούν για τη μέγιστη ισχύ της συσκευής, όπως ορίζεται στην πινακίδα. Σε περίπτωση αμφιβολίας απευθυνθείτε σε αναγνωρισμένο επαγγελματία.
- Σε περίπτωση ασυμβατότητας μεταξύ πρίζας και ρευματολήπτη της συσκευής ζητείστε την αντικατάσταση της πρίζας με μια άλλη κατάλληλη από εξειδικευμένο επαγγελματία. Αυτός, συγκεκριμένα, θα πρέπει να διαπιστώσει αν η διατομή των καλωδίων της πρίζας είναι κατάλληλη για την απορροφούμενη ισχύ από τη συσκευή. Γενικά δεν συνιστάται η χρήση των προσαρμοστικών, πολύπριζων ή/και προεκτάσεων. Όταν όμως η χρήση τους κριθεί απαραίτητη θα πρέπει πάντα να χρησιμοποιούνται μόνο απλά ή πολλαπλά προσαρμοστικά και προεκτάσεις που τηρούν τις προδιαγραφές των ισχυόντων κανονισμών ασφαλείας, προσέχοντας όμως να μην ξεπεραστεί το όριο παροχής σε τιμές ρεύματος που αναφέρεται στην προέκτασή ή στο απλό προσαρμοστικό και εκείνη η μέγιστη ισχύς που αναγράφεται στο πολλαπλό προσαρμοστικό. **Το βύσμα και η πρίζα πρέπει να είναι εύκολα προσβάσιμα.**

Τεχνικά χαρακτηριστικά

Ωφέλιμες διαστάσεις του φούρνου:

πλάτος: cm. 43,5

βάθος: cm. 43,5

ύψος: cm. 32

Ωφέλιμος όγκος του ηλεκτρικού φούρνου:

λίτρα 60

ENERGY LABEL

Οδηγία 2002/40/CE για την ετικέτα ηλεκτρικών φούρνων

Κανονισμός EN 50304

Κατανάλωση ενέργειας Φυσική αγωγιμότητα

λειτουργία θέρμανσης: Στατικός

Τάσεις και συχνότητα τροφοδοσίας:

230/400V ~ 3N 50/60Hz 8250W



Η συσκευή αυτή τηρεί τις προδιαγραφές των ακόλουθων Κοινοτικών Οδηγιών:

- 73/23/CEE της 19/02/73 (Χαμηλή Τάση) και μεταγενέστερες τροποποιήσεις.
- 89/336/CEE της 03/05/89 (Ηλεκτρομαγνητική Συμβατότητα) και μεταγενέστερες τροποποιήσεις.
- 93/68/CEE της 22/07/93 και μεταγενέστερες τροποποιήσεις.
- 2002/96/EK

Η ευρωπαϊκή οδηγία 2002/96/EK για τα Απόβλητα Ηλεκτρικού και Ηλεκτρονικού Εξοπλισμού (ΑΗΗΕ), απαιτεί ότι οι παλαιές οικιακές ηλεκτρικές συσκευές δεν πρέπει να αποβάλλονται μαζί με τα υπόλοιπα απόβλητα του δημοτικού δικτύου. Οι παλαιές συσκευές πρέπει να συλλεχθούν χωριστά προκειμένου να βελτιστοποιηθούν η αποκατάσταση και η ανακύκλωση των υλικών που περιέχουν και με σκοπό τη μείωση των βλαβερών επιπτώσεων στην ανθρώπινη υγεία και το περιβάλλον. Το σύμβολο με το διεγραμμένο “δοχείο αποβλήτων” στο προϊόν υπενθυμίζει σε σας την υποχρέωσή σας, πως όταν επιθυμείτε να πετάξετε τη συσκευή, πρέπει να συλλεχθεί χωριστά.

Οι καταναλωτές θα πρέπει να απευθύνονται στις τοπικές αρχές ή στα καταστήματα λιανικής για πληροφορίες που αφορούν τη σωστή διάθεση των παλαιών ηλεκτρικών συσκευών.

Free Manuals Download Website

<http://myh66.com>

<http://usermanuals.us>

<http://www.somanuals.com>

<http://www.4manuals.cc>

<http://www.manual-lib.com>

<http://www.404manual.com>

<http://www.luxmanual.com>

<http://aubethermostatmanual.com>

Golf course search by state

<http://golfingnear.com>

Email search by domain

<http://emailbydomain.com>

Auto manuals search

<http://auto.somanuals.com>

TV manuals search

<http://tv.somanuals.com>