

Operating Instructions

REFRIGERATOR/FREEZER COMBINATION

GB

GB

English

IN CH 310 AA VE I UK

Contents

Installation, 2

Positioning and connection

Description of the appliance, 3-4

Overall view

Control panel

Start-up and use, 5-6-7-8

Starting the appliance

Using the display

Using the refrigerator to its full potential

Using the freezer to its full potential

Maintenance and care, 9

Switching the appliance off

Cleaning the appliance

Avoiding mould and unpleasant odours

Defrosting the appliance

Replacing the light bulb

Precautions and tips, 10

General safety

Disposal

Respecting and conserving the environment

Troubleshooting, 11

Assistance, 12

 **INDESIT**



Installation

GB

! Before placing your new freezer into operation please read these operating instructions carefully. They contain important information for safe use, for installation and for care of the appliance.

! Please keep these operating instructions for future reference. Pass them on to possible new owners of the appliance.

Positioning and connection

Positioning

1. Place the appliance in a well-ventilated humidity-free room.
2. Do not obstruct the rear fan grills. The compressor and condenser give off heat and require good ventilation to operate correctly and save energy.

Electrical connections

After the appliance has been transported, carefully place it vertically and wait at least 3 hours before connecting it to the electricity mains. Before inserting the plug into the electrical socket ensure the following:

- The appliance is earthed and the plug is compliant with the law.
- The socket can withstand the maximum power of the appliance, which is indicated on the data plate located on the bottom left side of the fridge (e.g. 150 W).
- The voltage must be in the range between the values indicated on the data plate located on the bottom left side (e.g. 220-240V).
- The socket is compatible with the plug of the appliance. If the socket is incompatible with the plug, ask an authorised technician to replace it (*see Assistance*). Do not use extension cords or multiple sockets.

! Once the appliance has been installed, the power supply cable and the electrical socket must be easily accessible.

! The cable must not be bent or compressed.

! The cable must be checked regularly and replaced by authorised technicians only (*see Assistance*).

! The manufacturer declines any liability should these safety measures not be observed.

WARNING: THIS APPLIANCE MUST BE EARTHED.

Replacing fuse covers:

When replacing a faulty fuse, a 13amp ASTA approved fuse to BS 1362 should always be used and the fuse cover re-fitted. If the fuse cover is lost, the plug must not be used until a replacement is obtained.

Replacement fuse covers:

If a replacement fuse cover is fitted, it must be of the correct colour as indicated by the coloured marking or the colour that is embossed in words on the base of the plug.

Changing the plug: Removing the plug

If your appliance has a non-rewireable moulded plug and you should wish to remove it to add a longer cable or to re-route the mains cable through partitions, units etc. please ensure that either:

- The plug is replaced by a fused 13amp rewireable plug bearing the BSI mark of approval.
- or
- The mains cable is wired directly into a 13amp cable outlet, controlled by a switch (in compliance with BS 5733) which is accessible without moving the appliance.

Disposing of the plug

Cut off and dispose of the supplied plug if it does not fit your socket. The cable should be cut as close as possible to the moulded plug. Remove the fuse.

WARNING: To avoid a shock hazard do not insert the discarded plug into a socket anywhere else.


Fitting a new plug

IMPORTANT:

WIRES IN THE MAINS LEAD ARE COLOURED IN ACCORDANCE WITH THE FOLLOWING CODE...

GREEN & YELLOW	- Earth
Blue	- Neutral
Brown	- Live

As the colours of the wires in the mains lead may not correspond with the coloured markings identifying the terminals in your plug, proceed as follows:

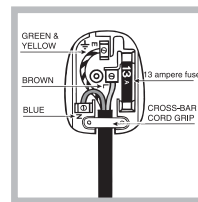
- Connect Green and Yellow wire to terminal marked 'E' or  or coloured Green and Yellow.
- Connect Brown wire to terminal marked 'L' or coloured red or brown.
- Connect Blue wire to terminal marked 'N' or coloured Black or Blue.

If a 13amp plug (BS 1363) is used it must be fitted with a 13amp fuse. A 15amp plug must be protected by a 15amp fuse, either in the plug or adaptor or at the distribution board. **If you are in any doubt about the electrical supply to your machine, consult a qualified electrician before use.**

CE Marking certifies that this appliance conforms to the following EEC directives :

Low Voltage Equipment - 73/23/EEC & 93/68 EEC

Electromagnetic Compatibility 89/336/EEC, 92/31/EEC & 93/68/EEC

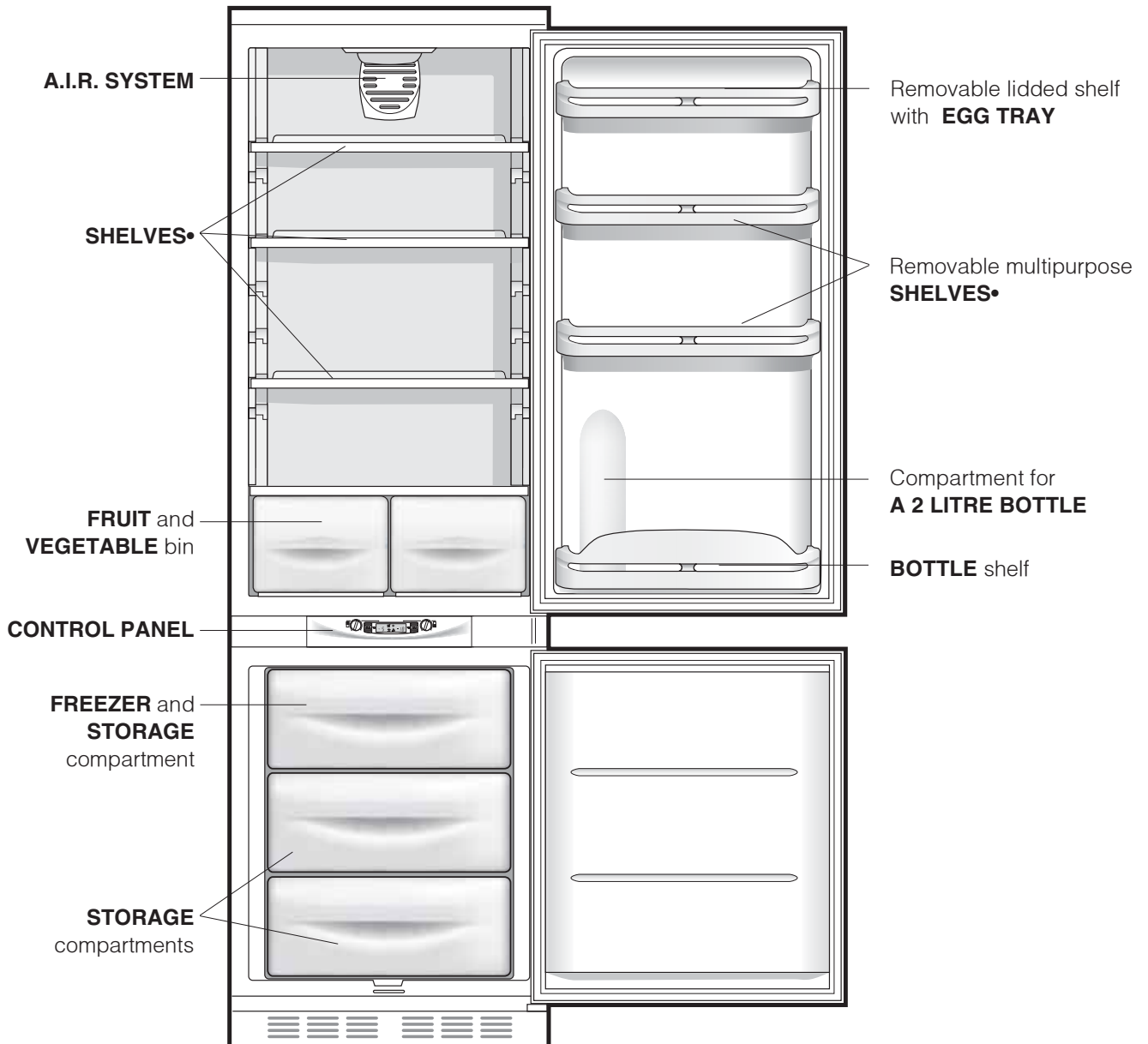


Description of the appliance

Overall view

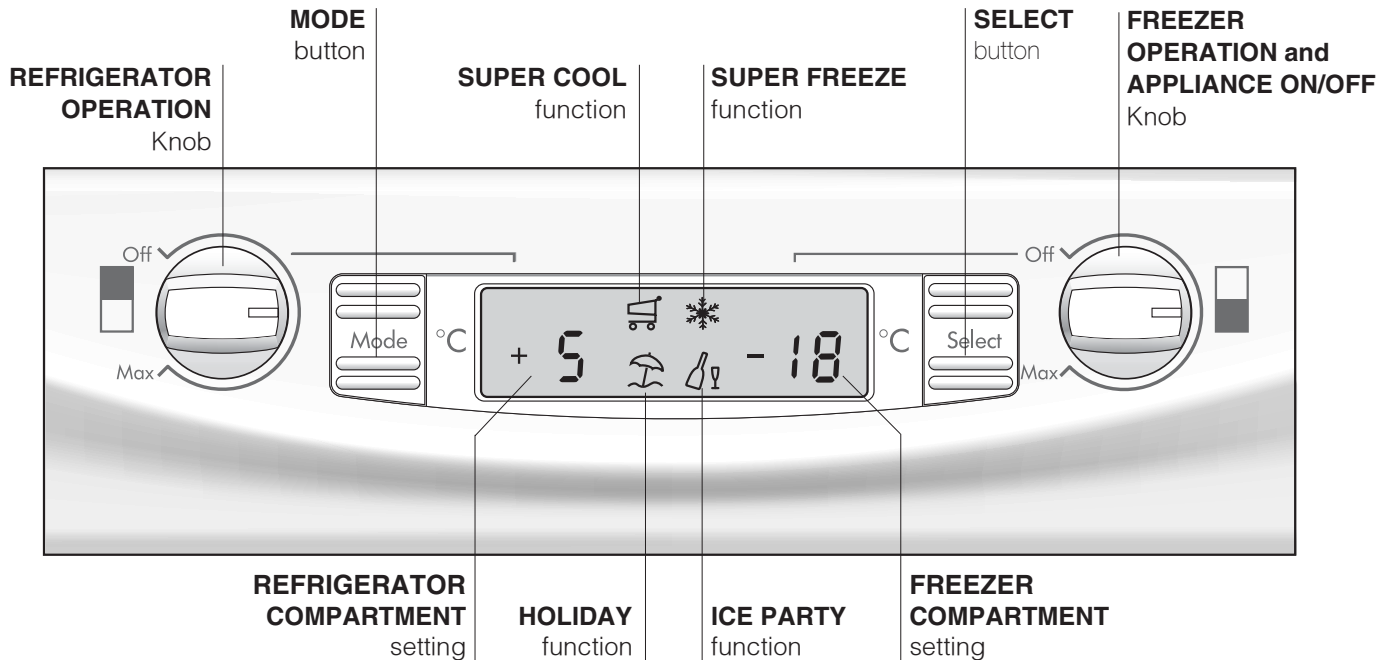
GB

The instructions contained in this manual are applicable to different model refrigerators. The diagrams may not directly represent the appliance purchased. For more complex features, consult the following pages.



• Varies by number and/or position.

Control panel



- REFRIGERATOR OPERATION Knob**
 This knob turns the refrigerator compartment on or off and enables you to set the relative operating temperatures.
- MODE button**
 This button allows you to navigate the display to have access to the various settings/functions and to turn off the alarm buzzers.
- REFRIGERATOR COMPARTMENT setting**
 Displays the temperature set in the fridge compartment and when the fridge compartment is turned OFF (word OFF indicated).
- SUPER COOL function**
 Displays the status (disabled, selected or enabled) of the SUPER COOL function (rapid cooling of the refrigerator compartment).
- HOLIDAY function**
 Displays the status (disabled, selected or enabled) of the HOLIDAY FUNCTION (optimal temperatures with the minimum consumption in the event of prolonged absence).
- SUPER FREEZE function**
 Displays the status (disabled, selected or enabled) of the SUPER FREEZE function (rapid freezing).
- ICE PARTY function**
 Displays the status (disabled, selected or enabled) of the ICE PARTY function (maximum speed in cooling a warm bottle and serving it at the table in the special bucket designed to maintain the temperature reached by the bottle).
- FREEZER COMPARTMENT setting**
 Displays the temperature set in the freezer compartment and when the appliance is turned OFF (word OFF indicated).
- SELECT button**
 This button selects/deselects the different functions and turns off the alarm buzzers.
- FREEZER OPERATION and APPLIANCE ON/OFF Knob**
 This knob turns the whole appliance on or off and enables you to set the freezer compartment operating temperatures.

Starting the appliance

! Before starting the appliance, follow the installation instructions (*see Installation*).

! Before connecting the appliance, clean the compartments and accessories well with lukewarm water and bicarbonate.

! The appliance comes with a motor protection control system which makes the compressor start approximately 8 minutes after being switched on. The compressor also starts each time the power supply is cut off whether voluntarily or involuntarily (blackout).

Once you have plugged the appliance into the mains socket, make sure the display is on (the FREEZER COMPARTMENT knob must not be on Off).

Freezer compartment

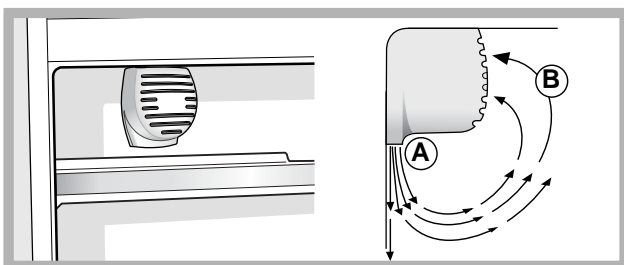
When you turn the appliance on (by turning the FREEZER and APPLIANCE ON/OFF Knob to the required freezer compartment operating temperature), we recommend you enable the SUPER FREEZE function to speed up the cooling process inside the compartment; when the latter has reached the optimal temperature, the function will be disabled and you may place the frozen foods inside the freezer.

Refrigerator compartment

When you turn the refrigerator compartment on (by turning REFRIGERATOR OPERATION Knob to the required refrigerator compartment operating temperature), we recommend you enable the SUPER COOL function to speed up the cooling process inside the compartment: after a few hours, you may place food inside the refrigerator.

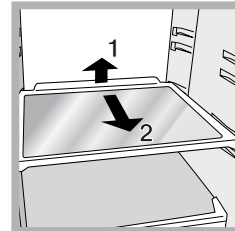
A.I.R. SYSTEM

It is recognizable due to the presence of the mechanism on the top part of the refrigerator compartment (*see diagram*).



A.I.R. Systems maximises air circulation, improving the efficiency of the evaporator and helping to achieve the optimal temperature inside the refrigerator as quickly as possible each time it has been opened. The blown air (A) is cooled when it comes into contact with the cold wall, whereas the hotter air (B) is sucked up (*see diagram*).

The back wall may be covered in frost or droplets of water, depending on whether the compressor is in operation or whether it is paused.



SHELVES: with or without grill. Due to the special guides the shelves are removable and the height is adjustable (*see diagram*), allowing easy storage of large containers and food. Height can be adjusted without complete removal of the shelf.

Using the display

Setting the temperature

If the compartment concerned is switched off, the word OFF will appear on the relative indication space on the display (REFRIGERATOR COMPARTMENT setting and FREEZER COMPARTMENT setting). If the compartment is switched on, then the temperatures set at that time will appear. To change them, turn the relative knob directly (REFRIGERATOR OPERATION Knob and FREEZER OPERATION and APPLIANCE ON/OFF Knob).

The refrigerator compartment can be set to between +2°C and +8°C, while the freezer compartment can be set to a temperature of between -18°C and -26°C. The temperature in both cases can be increased or decreased by 1°C at a time.

When the HOLIDAY function is enabled, temperature regulations cannot be made, but the appliance automatically sets itself to the best setting for the situation: +12°C for the refrigerator compartment (if enabled) and -18°C for the freezer compartment.

Function status

Function symbol during normal operation

Function selected (outline flashing)

Function enabled (outline on)

Enabling/disabling the functions

Press the MODE button as many times as necessary for the red outline of the function you wish to act on to light up: this indicates that the function has been selected and is ready to be enabled or disabled. Now you can enable or disable the selected function using the SELECT button.

! If you do not confirm your selection by pressing the SELECT button within five seconds of the last action performed on the display, the latter shall go back to displaying the function previously set and indicate that no new modification has been made.

The SUPER COOL function is linked to the refrigerator compartment and when the latter is switched off, no action whatsoever will be possible on the former, other functions foresee an operation that can create conflicts (for example, when the HOLIDAY and SUPER FREEZE functions are enabled simultaneously), in this case a pre-set priority is taken into consideration in order to help you operate the appliance.

The SUPER FREEZE function features a double mode of operation (see paragraph on operating the freezer compartment).

Enabling/disabling the DEMO mode:

To run a demonstration of the display operation while keeping the appliance turned off, just enable the DEMO mode.

Enabling:

- set the FREEZER OPERATION and APPLIANCE ON/OFF Knob to Off;
- keep the two buttons "Select" and "Mode" pressed for approximately 5 seconds, until you hear the buzzer and the two words "OFF" and "OFF" flash on the display; these words will flash for the entire duration the DEMO mode is enabled.

Disabling:

- set the FREEZER OPERATION and APPLIANCE ON/OFF Knob to Off;
- keep the two buttons "Select" and "Mode" pressed for approximately 5 seconds, until you hear the buzzer and the two words "OFF" and "OFF" on the display stop flashing.

Holiday function

To minimise energy usage when on holiday, it is not necessary to switch the appliance off. The appliance has a function which allows it to maintain the temperature of the refrigerator compartment at approximately 15°C (which can also be used to conserve make-up and beauty products). The freezer temperature must be set to the minimum value in order to preserve the food.

Using the refrigerator to its full potential

- Use the REFRIGERATOR OPERATION knob to adjust the temperature (*see Description*).
- Activate the SUPER COOL function to lower the temperature quickly. For example, when you place a large number of new food items inside a fridge, the internal temperature will rise slightly. The function quickly cools the groceries by temporarily reducing the temperature until it reaches the ideal level.
- Place only cold or lukewarm foods in the compartment, not hot foods (*see Precautions and tips*).
- Remember that cooked foods do not last longer than raw foods.
- Do not store liquids in open containers. They will increase humidity in the refrigerator and cause condensation to form.

Using the freezer to its full potential

- Use the FREEZER OPERATION and APPLIANCE ON/OFF Knob to adjust the temperature (*see Description*).
- Do not re-freeze food that is defrosting or that has already been defrosted. These foods must be cooked and eaten (within 24 hours).
- Fresh food that needs to be frozen must not come into contact with food that has already been defrosted. Fresh food must be stored in the top FREEZER and STORAGE compartment where the temperature drops below -18°C and guarantees rapid freezing.
- Do not place glass bottles which contain liquids, and which are corked or hermetically sealed in the freezer because they could break.
- The maximum quantity of food that may be frozen daily is indicated on the plate containing the technical properties located on the bottom left side of the refrigerator compartment (for example: Kg/24h: 4).
- To freeze (if the freezer is already operating):
 - For small quantities, less than the maximum capacity indicated on the data plate (situated on the lower left, next to the salad crisper), enable the SUPER FREEZE function on the display in the "24 hour" mode and insert the food to be frozen. To enable the function, press the MODE button as many times as necessary for the SUPER FREEZE symbol to start flashing and then press the SELECT button to enable the SUPER FREEZE function. After 24 hours, or once the optimal temperatures have been reached, the rapid freezing function is automatically disabled.
 - For large quantities of food to be frozen (up until the maximum load indicated on the data plate situated on the lower left, next to the salad crisper), enable the SUPER FREEZE function on the display in the "48 hours" mode: To enable the function, press the MODE button as many times as necessary for the SUPER FREEZE symbol to start flashing and then press the SELECT button for more than three seconds to ensure the function is enabled (symbol SUPER FREEZE function starts to flash slowly). After 24 hours, the function symbol will stop flashing and go back to being permanently lit; you can now insert the food to be frozen. After another 24 hours, the function will be disabled automatically.
- In order to create extra room inside the freezer compartment, the drawers may be removed and the food arranged in the resulting space.

! Do not open the door during freezing.

! If there is a power cut or malfunction, do not open the freezer door. This will help maintain the temperature inside the freezer, ensuring that foods are conserved for at least 9 -14 hours.



ICE PARTY: ensures bottles of sparkling wine or champagne reach the right temperature. Place the bottle in the pre-frozen ice bucket located inside the FREEZER and STORAGE compartment and select the function on the display.

Remove the bottle when the alert is given. The bucket may be used to serve the bottle, keeping it cool after it has been removed from the appliance.

Maintenance and care

GB

Switching the appliance off

During cleaning and maintenance it is necessary to disconnect the appliance from the electricity supply:

1. set the FREEZER OPERATION and APPLIANCE ON/OFF Knob on Off
2. pull the plug out of the socket

! If this procedure is not followed, the alarm may sound. This alarm does not indicate a malfunction. To restore normal operation, it is sufficient to set the FREEZER OPERATION and APPLIANCE ON/OFF knob on the desired value. To disconnect the appliance, follow point 1 and 2.

Cleaning the appliance

- The external and internal parts, as well as the rubber seals may be cleaned using a sponge that has been soaked in lukewarm water and bicarbonate of soda or neutral soap. Do not use solvents, abrasive products, bleach or ammonia.
- The removable accessories may be soaked in warm water and soap or dishwashing liquid. Rinse and dry them carefully.

Avoiding mould and unpleasant odours

- The appliance is manufactured with hygienic materials which are odour free. In order to maintain an odour free refrigerator and to prevent the formation of stains, food must always be covered or sealed properly.
- If you want to switch the appliance off for an extended period of time, clean the inside and leave the doors open.

Defrosting the appliance

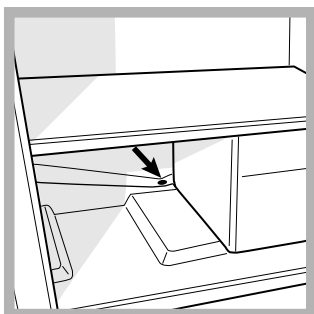
! Follow the instructions below.

Do not use objects with sharp or pointed edges to defrost the appliance as these may damage the refrigeration circuit beyond repair.

Defrosting the refrigerator compartment

The refrigerator has an automatic defrosting function:

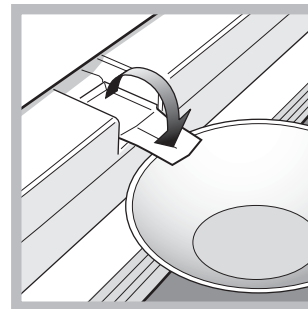
water is ducted to the back of the appliance by a special discharge outlet (see diagram) where the heat produced by the compressor causes it to evaporate. It is necessary to clean the discharge hole regularly so that the water can flow out easily.



Defrosting the freezer compartment

If the frost layer is greater than 5 mm, it is necessary to defrost manually:

1. One day before enabling the SUPER FREEZE function in the 24-hour mode; it helps give the food a healthy extra "cold shock". After 24 hours, the freezing function is automatically disabled but you can disable it yourself.
2. Turn the appliance off by turning the FREEZER OPERATION and APPLIANCE ON/OFF knob.
! this operation switches off the whole appliance (including the fridge compartment).
3. Wrap frozen foods in newspaper and place them in another freezer or in a cool place.
4. Leave the door open until the frost has melted completely. This can be made easier by placing containers with lukewarm water in the freezer compartment.

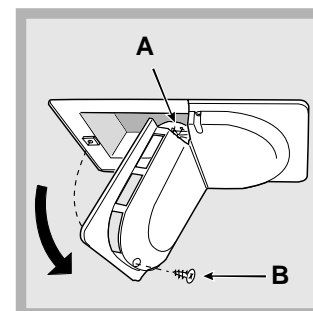


5. Certain appliances are fitted with the DRAIN SYSTEM to lead the water outside: insert the scraper into the slot provided at the bottom and let the water flow into a container (see diagram).

6. Clean and dry the freezer compartment carefully before switching the appliance on again.
! Remember that the motor will not start immediately, but rather after approximately 8 minutes.
7. Wait for approximately 2 hours, i.e. until the ideal storage conditions have been restored, before placing food in the freezer compartment.



Replacing the light bulb

To replace the light bulb in the refrigerator compartment, pull out the plug from the electrical socket. Follow the instructions below.



Access the light bulb (A) by unscrewing the fixing screw (B) which is located at the back of the lampcover, as shown (see diagram). Replace it with a similar light bulb, the power of which should not exceed 15W.

! The appliance was designed and manufactured in compliance with international safety standards. The following warnings are provided for safety reasons and must be read carefully.

 This appliance complies with the following Community Directives:
- 73/23/EEC of 19/02/73 (Low Voltage) and subsequent amendments;
 - 89/336/EEC of 03.05.89 (Electromagnetic Compatibility) and subsequent amendments;
- 2002/96/CE..

General safety

- The appliance was designed for domestic use inside the home and is not intended for commercial or industrial use.
- The appliance must be used to store and freeze food products by adults only and according to the instructions in this manual.
- The appliance must not be installed outdoors, even in covered areas. It is extremely dangerous to leave the appliance exposed to rain and storms.
- Do not touch the appliance with bare feet or with wet or moist hands and feet.
- Do not touch the internal cooling elements: this could cause skin abrasions or frost/freezer burns.
- When unplugging the appliance always pull the plug from the mains socket, do not pull on the cable.
- Before cleaning and maintenance, always switch off the appliance and disconnect it from the electrical supply. It is not sufficient to set the FREEZER OPERATION and APPLIANCE ON/OFF Knob on OFF (appliance off) to eliminate all electrical contact.
- In the case of a malfunction, under no circumstances should you attempt to repair the appliance yourself. Repairs carried out by inexperienced persons may cause injury or further malfunctioning of the appliance.
- Do not use any sharp or pointed utensils or electrical equipment - other than the type recommended by the manufacturer - inside the frozen food storage compartments.
- Do not put ice cubes taken directly from the freezer into your mouth.
- This appliance is not intended for use by persons (including children) with reduced physical, sensory or lack of experience and knowledge unless they have been given supervision or instruction concerning use of the appliance by a person responsible for their safety. Children should be supervised to ensure that they do not play with the appliance.
- Keep packaging material out of the reach of children! It can become a choking or suffocation hazard.

Disposal

- Observe local environmental standards when disposing packaging material for recycling purposes.
- The European Directive 2002/96/EC on Waste Electrical and Electronic Equipment (WEEE), requires that old household electrical appliances must not be disposed of in the normal unsorted municipal waste stream. Old appliances must be collected separately in order to optimise the recovery and recycling of the materials they contain and reduce the impact on human health and the environment. The crossed out "wheeled bin" symbol on the product reminds you of your obligation, that when you dispose of the appliance it must be separately collected. Consumers should contact their local authority or retailer for information concerning the correct disposal of their old appliance.

Respecting and conserving the environment

- Install the appliance in a fresh and well-ventilated room. Ensure that it is protected from direct sunlight and do not place it near heat sources.
- Try to avoid keeping the door open for long periods or opening the door too frequently in order to conserve energy.
- Do not fill the appliance with too much food: cold air must circulate freely for food to be preserved properly. If circulation is impeded, the compressor will work continuously.
- Do not place hot food directly into the refrigerator. The internal temperature will increase and force the compressor to work harder and will consume more energy.
- Defrost the appliance if ice forms (*see Maintenance*). A thick layer of ice makes cold transference to food products more difficult and results in increased energy consumption.
- Regularly check the door seals and wipe clean to ensure they are free of debris and to prevent cold air from escaping (*see Maintenance*).

Troubleshooting

GB

If the appliance does not work, before calling for Assistance (*see Assistance*), check for a solution from the following list.

Malfunctions:

The display does not illuminate.

Possible causes / Solutions:

- The plug has not been inserted into the electrical socket, or not far enough to make contact, or there is no power in the house.

The motor does not start.

- The appliance comes with a motor protection control (*see Start-up and use*).

The refrigerator and the freezer do not cool well.

- The doors do not close properly or the seals are damaged.
- The doors are opened too frequently.
- The OPERATION knobs are not on the correct setting (*see Description*).
- The refrigerator or the freezer have been over-filled.

The food inside the refrigerator is beginning to freeze.

- The REFRIGERATOR OPERATION knob is not on the correct setting (*see Description*).
- The food is in contact with the back inside wall of the refrigerator.

The motor runs continuously.

- The SUPER COOL and/or SUPER FREEZE and/or ICE PARTY functions are enabled (*see Description*).
- The door is not closed properly or is continuously opened.
- The outside ambient temperature is very high.

The appliance makes a lot of noise.

- The internal refrigerant makes a slight noise even when the compressor is off. This is not a defect, it is normal.

There is water at the bottom of the refrigerator.

- The water discharge hole is blocked (*see Maintenance*).

Door open alarm.

Should the refrigerator door be left open for more than two minutes, the lamp inside the compartment will begin to flash; after a few seconds, an alarm buzzer is sounded. To silence this buzzer, just shut the door or press the SELECT button. Should the door remain open for more than 4 minutes, the lamp will flash more rapidly.

Abnormal freezer heating alarm.

1. To signal an excessive heating on the part of the freezer (e.g. momentary power failure), a buzzer will sound and a message comes up on the display "A1" to signal the dangerous heating of the compartment. To prevent food from refreezing, the freezer will try to maintain a temperature of 0°C, thus allowing you to use up the food within 24 hours or to cook them and then refreeze them. You can turn the buzzer off simply by pressing the SELECT button. To return to normal operation and cancel the message from the display, you need to turn the appliance off and on again, turning the appliance FREEZER OPERATION and APPLIANCE ON/OFF Knob.
1. If the temperature inside the freezer continues to rise to excessively high values, the buzzer will sound yet again and another message "A2" will come up on the display to signal the dangerous state of overheating. We recommend you check the conditions of the food, as it may be necessary to throw it away. In all cases, food should not be refrozen unless you cook it first. To prevent food from refreezing, the freezer will try to maintain a temperature of 0°C. The buzzer can be turned off by simply pressing the SELECT button. To return to normal operation and cancel the message from the display, you need to turn the appliance off and on again, turning the appliance FREEZER OPERATION and APPLIANCE ON/OFF Knob.

Guarantee

12 months Parts and Labour Guarantee

Your appliance has the benefit of our manufacturer's guarantee, which covers the cost of breakdown repairs for twelve months from the date of purchase.

This gives you the reassurance that if, within that time, your appliance is proven to be defective because of either workmanship or materials, we will, at our discretion, either repair or replace the appliance at no cost to you.

This guarantee is subject to the following conditions:

- The appliance has been installed and operated correctly and in accordance with our operating and maintenance instructions.
- The appliance is used only on the electricity or gas supply printed on the rating plate.
- The appliance has been used for normal domestic purposes only.
- The appliance has not been altered, serviced, maintained, dismantled, or otherwise interfered with by any person not authorised by us.
- Any repair work must be undertaken by us or our appointed agent.
- Any parts removed during repair work or any appliance that is replaced become our property.
- The appliance is used in the United Kingdom or Republic of Ireland.

The guarantee does not cover:

- Damage resulting from transportation, improper use, neglect or interference or as a result of improper installation.
- Replacement of any consumable item or accessory. These included but not limited to: plugs, cables, batteries, light bulbs, fluorescent tubes and starters, covers and filters.
- Replacement of any removable parts made of glass or plastic.

THIS GUARANTEE WILL NOT APPLY IF THE APPLIANCE HAS BEEN USED IN COMMERCIAL OR NON-DOMESTIC PREMISES.

5 Year Parts Guarantee

Indesit also offers you a free 5 year parts guarantee. This additional guarantee is conditional on you registering your appliance with us and the parts being fitted by one of our authorised engineers. There will be a charge for our engineer's time. To activate the extra parts warranty on your appliance, simply call our registration line on **08448 24 24 24 (Republic of Ireland 01 230 0800)**

Extended Guarantees

We offer a selection of protection plans that enable you to fully cover yourself against the expense of repair bills for the life of your policy. To find the ideal plan for you please call our advice line on **08448 226 226 (Republic of Ireland 01 230 0233)**.

Free Helpdesk Service

We have a dedicated team who can provide free advice and assistance with your appliance if you experience any technical difficulties within the first 90 days of ownership. Simply call our Indesit Service Hotline on **08448 224 224 (Republic of Ireland 0818 313 413)** for telephone assistance, or, where necessary, to arrange for an engineer to call.

After Sales Service

No one is better placed to care for your Indesit appliance during the course of its working life than us – the manufacturer.

Essential Contact Information

Indesit Service

We are the largest service team in the UK and Ireland offering you access to 400 skilled telephone advisors and 1000 fully qualified engineers on call to ensure you receive fast, reliable, local service.

UK: 08448 224 224
Republic of Ireland: 0818 313 413
www.indesitservice.co.uk

Please note: Our advisors will require the following information:

Model number:

Serial number:

Parts and Accessories

We supply a full range of genuine replacement parts as well as accessory products that protect and hygienically clean your appliance to keep it looking good and functioning efficiently throughout its life.

UK: 08448 225 225
Republic of Ireland: 0818 313 413
www.indesitservice.co.uk

Appliance Registration

We want to give you additional benefits of Indesit ownership. To activate your free 5 year parts guarantee you must register your appliance with us.

UK: 08448 24 24 24
Republic of Ireland: 01 230 0800
www.indesitservice.co.uk

Indesit Company UK Ltd. Morley Way, Peterborough, PE2 9JB

Indesit Company Unit 49 Airways Industrial Estate, Dublin 17

Recycling and Disposal Information

As part of Indesit's continued commitment to helping the environment, Indesit reserves the right to use quality, recycled components to keep down customer costs and minimise material wastage.

Please dispose of packaging and old appliances carefully. To minimise the risk of injury to children, remove the door, plug, and cut the mains cable off flush with the appliance. Dispose of these parts separately to ensure that the appliance can no longer be plugged into mains socket, and the door cannot be locked shut.

Free Manuals Download Website

<http://myh66.com>

<http://usermanuals.us>

<http://www.somanuals.com>

<http://www.4manuals.cc>

<http://www.manual-lib.com>

<http://www.404manual.com>

<http://www.luxmanual.com>

<http://aubethermostatmanual.com>

Golf course search by state

<http://golfingnear.com>

Email search by domain

<http://emailbydomain.com>

Auto manuals search

<http://auto.somanuals.com>

TV manuals search

<http://tv.somanuals.com>