

# Instructions for use

## WASHER-DRYER

**GB**

English,1

**AR**

عربي ,15

**WIDL 126**

### Contents

#### Installation, 2-3-4-5

Unpacking and levelling, 2  
Electric and water connections, 2-3  
The first wash cycle, 4  
Technical details, 5

#### Washer-dryer description, 6-7

Control panel, 6  
Leds, 7

#### Starting and Programmes, 8

Briefly: how to start a programme, 8  
Programme table, 8

#### Personalisations, 9

Setting the temperature, 9  
Setting the drying cycle, 9  
Functions, 9

#### Detergents and laundry, 10

Detergent dispenser, 10  
Preparing your laundry, 10  
Special items, 10

#### Precautions and advice, 11

General safety, 11  
Disposal, 11  
Saving energy and respecting the environment, 11

#### Care and maintenance, 12

Cutting off the water or electricity supply, 12  
Cleaning your appliance, 12  
Cleaning the detergent dispenser, 12  
Caring for your appliance door and drum, 12  
Cleaning the pump, 12  
Checking the water inlet hose, 12

#### Troubleshooting, 13

#### Service, 14

Before calling for Assistance, 14

**GB**

 **INDESIT**

# Installation

GB

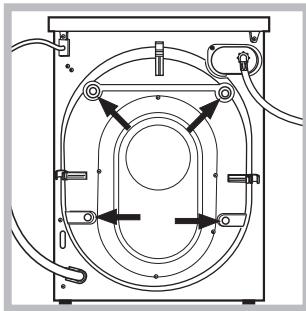
! Keep this instruction manual in a safe place for future reference. Should the appliance be sold, transferred or moved, make sure the instruction manual accompanies the washer-dryer to inform the new owner as to its operation and features.

! Read these instructions carefully: they contain vital information on installation, use and safety.

## Unpacking and levelling

### Unpacking

1. Unpack the washer-dryer.
2. Check whether the washer-dryer has been damaged during transport. If this is the case, do not install it and contact your retailer.



3. Remove the four protective screws and the rubber bush with the respective spacer, situated on the rear of the appliance (see also the installation leaflet).

**NB:** The plastic spacers may fall down inside the machine once the bolt

has been removed, and will not interfere with the operation of the machine.

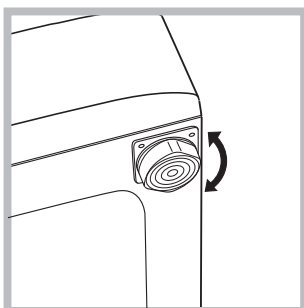
4. Seal the gaps using the plastic plugs provided.
5. Keep all the parts: you will need them again if the washing machine needs to be moved to another location.

! Packaging materials are not children's toys.

### Levelling

Your machine may make a considerable amount of noise if the two front feet have not been adjusted correctly.

1. Install the washer-dryer on a flat sturdy floor, without resting it up against walls, furniture cabinets or other.

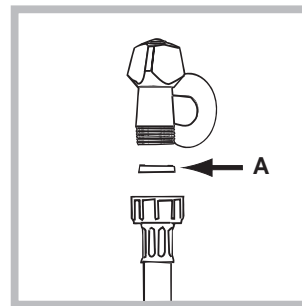


2. If the floor is not perfectly level, compensate for any unevenness by tightening or loosening the adjustable front feet (see figure); the angle of inclination, measured according to the worktop, must not exceed 2°.

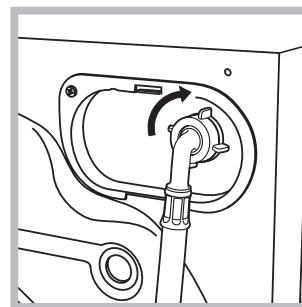
Levelling your appliance correctly will provide it with stability and avoid any vibrations, noise and shifting during operation. If it is placed on a fitted or loose carpet, adjust the feet in such a way as to allow enough room for ventilation beneath the washer-dryer.

## Electric and water connections

### Connecting the water inlet hose



1. Insert seal A into the end of the inlet hose and screw the latter onto a cold water tap with a 3/4 gas threaded mouth (see figure). Before making the connection, allow the water to run freely until it is perfectly clear.



2. Connect the other end of the water inlet hose to the washer-dryer, screwing it onto the appliance's cold water inlet, situated on the top right-hand side on the rear of the appliance (see figure).

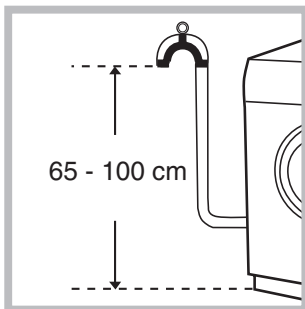
3. Make sure there are no kinks or bends in the hose.

! The water pressure at the tap must be within the values indicated in the Technical details table (on the next page).

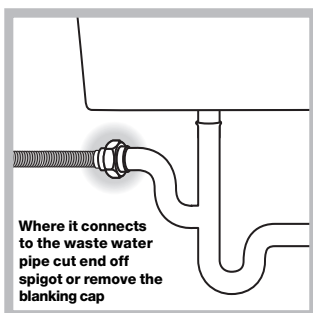
! If the water inlet hose is not long enough, contact a specialist store or an authorised serviceman.

! Ensure that the supply taps are allowing water through. Old taps may seize in the closed position and thus prevent water reaching the machine.

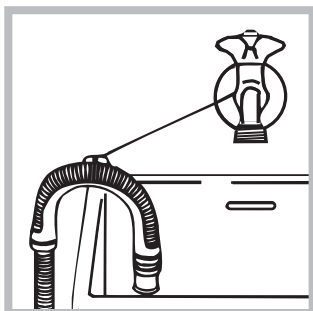
## Connecting the drain hose



Connect the drain hose, without bending it, to a draining duct or a wall drain situated between 65 and 100 cm from the floor;



The drain hose may be connected to an under-sink trap. Before connecting the drain hose from the machine ensure that any blanks or removable ends have been taken off the spigot.



If it is place over the edge of a basin or sink be sure the free end of the hose should not be underwater.

**!** We advise against the use of hose extensions; in case of absolute need, the extension must have the same diameter as the original hose and must not exceed 150 cm in length.

Ensure that if the drain hose is pushed into a standpipe, that the end does not go down more than 15cms (6 inches). If the hose is pushed down too far, this may cause the machine to self-siphon i.e. continuously empty as it is filling.

## Electric connection

Before plugging the appliance into the mains socket, make sure that:

- the socket is earthed and in compliance with the applicable law;
- the socket is able to sustain the appliance's maximum power load indicated in the Technical details table (see page 5);

- the supply voltage is included within the values indicated on the Technical details table (see page 5);
- the socket is compatible with the washer-dryer's plug. If this is not the case, replace the socket or the plug.

Your appliance is now supplied with a 13 amp fused plug it can be plugged into a 13 amp socket for immediate use. Before using the appliance please read the instructions below.

**WARNING - THIS APPLIANCE MUST BE EARTHED. THE FOLLOWING OPERATIONS SHOULD BE CARRIED OUT BY A QUALIFIED ELECTRICIAN.**

### Replacing the fuse:

When replacing a faulty fuse, a 13 amp ASTA approved fuse to BS 1362 should always be used, and the fuse cover re-fitted. If the fuse cover is lost, the plug must not be used until a replacement is obtained.

### Replacement fuse covers:

If a replacement fuse cover is fitted, it must be of the correct colour as indicated by the coloured marking or the colour that is embossed in words on the base of the plug. Replacements can be obtained directly from your nearest Service Depot.

### Removing the plug:

If your appliance has a non-rewireable moulded plug and you should wish to re-route the mains cable through partitions, units etc., please ensure that either:

the plug is replaced by a fused 13 ampere re-wearable plug bearing the BSI mark of approval. or:

the mains cable is wired directly into a 13 amp cable outlet, controlled by a switch, (in compliance with BS 5733) which is accessible without moving the appliance.

### Disposing of the plug:

Ensure that before disposing of the plug itself, you make the pins unusable so that it cannot be accidentally inserted into a socket.

Instructions for connecting cable to an alternative plug: Important: the wires in the mains lead are coloured in accordance with the following code:

<b>Green &amp; Yellow</b>	<b>Earth</b>
<b>Blue</b>	<b>Neutral</b>
<b>Brown</b>	<b>Live</b>

GB

Installation

Description

Programmes

Detergents

Precautions

Care

Troubleshooting

Service

As the colours of the wires in the lead may not correspond with the coloured markings identifying the terminals in your plug, proceed as follows:  
 Connect Green & Yellow wire to terminal marked **E** or  $\perp$  or coloured Green or Green & Yellow.  
 Connect Brown wire to terminal marked **L** or coloured Red.  
 Connect Blue wire to terminal marked **N** or coloured Black.

If a 13 amp plug (BS 1363) is used it must be fitted with a 13 amp fuse, either in the plug or adaptor or at the distribution board.

If you are in any doubt the electrical supply to your machine, consult a qualified electrician before use.

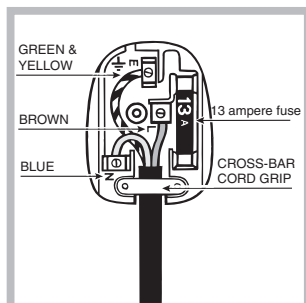
How to connect an alternative plug:

The wires in this mains lead are coloured in accordance with the following code:

<b>BLUE</b>	<b>NEUTRAL (N)</b>
<b>BROWN</b>	<b>LIVE (L)</b>
<b>GREEN &amp; YELLOW</b>	<b>EARTH (E)</b>

#### *Disposing of the appliance:*

When disposing of the appliance please remove the plug by cutting the mains cable as close as possible to the plug body and dispose of it as described above.



! The washing machine should not be installed in an outdoor environment, not even when the area is sheltered, because it may be very dangerous to leave it exposed to rain and thunderstorms.

! When the washing machine is installed, the mains socket must be within easy reach.

! Do not use extensions or multiple sockets.



! The power supply cable must never be bent or dangerously compressed.

! The power supply cable must only be replaced by an authorised serviceman.

Warning! The company denies all liability if and when these norms are not respected.

## **The first wash cycle**

Once the appliance has been installed, and before you use it for the first time, run a wash cycle with detergent and no laundry, setting the 90°C programme without a pre-wash cycle.

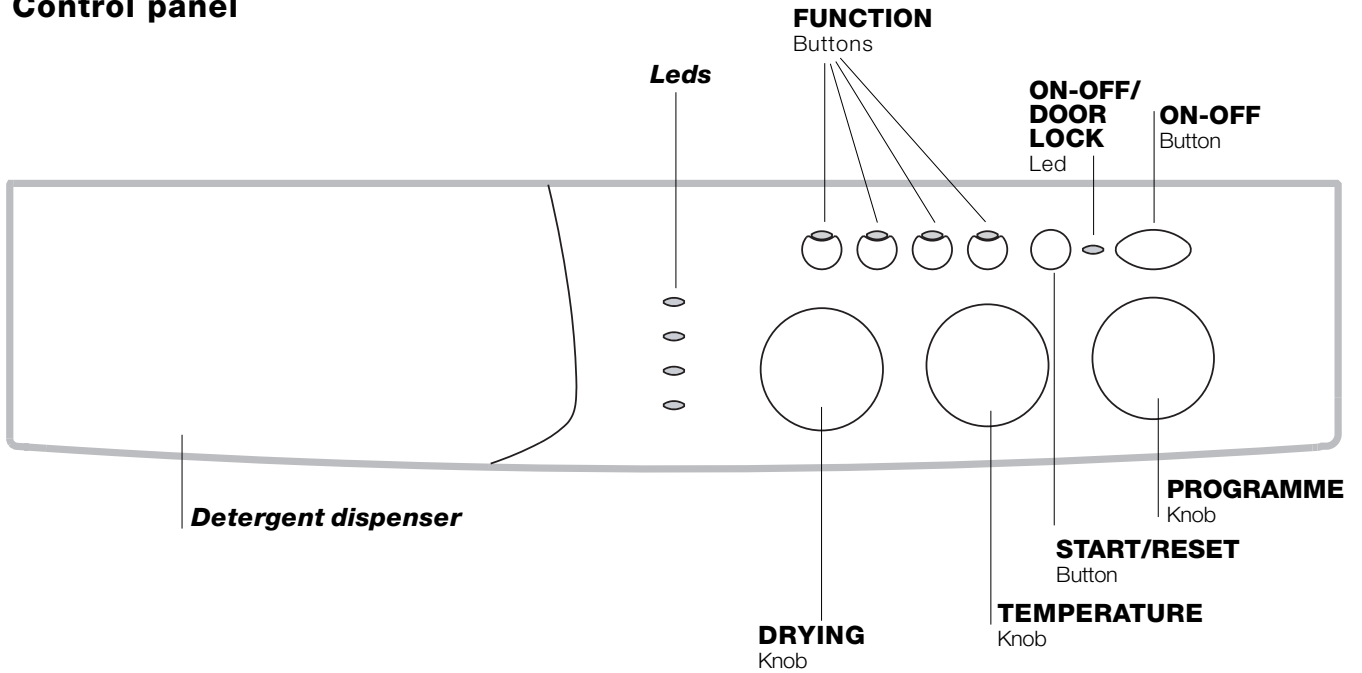
Technical details	
<b>Model</b>	WIDL 126
<b>Dimensions</b>	59.5 cm wide 85 cm high 53.5 cm deep
<b>Capacity</b>	from 1 to 5 kg for the wash programme; from 1 to 4 kg for the drying programme
<b>Electric connections</b>	voltage 230/240 Volts 50 Hz maximum absorbed power 2050 W
<b>Water connections</b>	maximum pressure 1 MPa (10 bar) minimum pressure 0.05 MPa (0.5 bar) drum capacity 46 litres
<b>Spin speed</b>	up to 1200 rpm
<b>Control programmes according to IEC456 directive</b>	<p><b>Wash:</b> programme 2; temperature 60°C; run with a load of 5 kg.</p> <p><b>Drying:</b> first drying cycle performed with a 1 kg load, by selecting a drying time of 40 min;</p> <p>Second drying cycle performed with a 4 kg load and the DRYING knob on the setting.</p>
 	<p>This appliance is compliant with the following European Community Directives:</p> <ul style="list-style-type: none"> <li>- 73/23/CEE of 19/02/73 (Low Voltage) and subsequent amendments</li> <li>- 89/336/CEE of 03/05/89 (Electromagnetic Compatibility) and subsequent amendments</li> <li>- 2002/96/CE</li> </ul>

**GB**
**Installation**
**Description**
**Programmes**
**Detergents**
**Precautions**
**Care**
**Troubleshooting**
**Service**

# Washer-dryer description

GB

## Control panel



**Detergent dispenser:** to add detergent and fabric softener (see page 10).

**LEDS:** to find out the wash cycle progress. If the Delay Timer function has been set, the time left until the programme starts will be indicated (see page 7).

**DRYING** knob: to set the desired drying cycle (see page 9).

**FUNCTION** buttons: to select the functions available. The button corresponding to the function selected will remain on.

**TEMPERATURE** knob: to set the temperature or the cold wash cycle (see page 9).

**START/RESET** button: to start the programmes or cancel any incorrect settings.

**ON-OFF/DOOR LOCK** Led: to find out whether the Washer-dryer is on and if the appliance door can be opened (see page 7).

**ON/OFF** button: to turn the Washer-dryer on and off.

**PROGRAMME** knob: to select the wash programmes. The knob stays still during the cycle.

## Leds

The LEDS provide important information. This is what they can tell you:

### Delay set:

If the Delay Timer function has been enabled (see page. 9), once you have started the programme, the LED corresponding to the delay set will begin to flash:



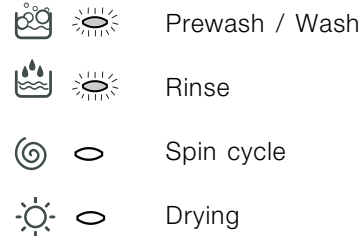
As time passes, the remaining delay will be displayed, and the corresponding LED will flash:



Once the set delay is complete, the flashing LED will turn off and the programme set will start.


### Cycle progress:

During the wash cycle, the LEDs gradually illuminate on to indicate the cycle progress:



Note:

- during draining, the LED corresponding to the Spin cycle phase will be turned on.

- when the drying cycle is complete, the indicator light relative to phase  will flash, to indicate that the DRYING knob needs to be set back to the 0 setting.

### Function buttons

The FUNCTION BUTTONS also act like LEDS. When a function is selected, the corresponding button is illuminated.

If the function selected is incompatible with the programme set, the button will flash and the function will not be enabled.

If you set a function that is incompatible with another function you selected previously, only the last one selected will be enabled.

### ON-OFF/DOOR LOCK led:

If this LED is on, the appliance door is locked to prevent it from being opened accidentally; to avoid any damages, wait for the LED to flash before you open the appliance door.

! The rapid flashing of the ON-OFF/DOOR LOCK Led together with the flashing of at least one other LED indicates there is an abnormality. Call for Technical Assistance (see page 13).

GB

Installation

Description

Programmes

Detergents

Precautions

Care

Troubleshooting

Service

# Starting and Programmes




GB

## Briefly: starting a programme

1. Switch the Washer-dryer on by pressing button (I). All the LEDs will light up for a few seconds and the ON-OFF/DOOR LOCK Led will begin to flash.
2. Load your laundry into the washing machine and shut the appliance door.
3. Set the PROGRAMME knob to the programme required.
4. Set the wash temperature (see page 9).
5. Set the drying cycle if necessary (see page 9).
6. Add the detergent and any fabric softener (see page 10).

7. Start the programme by pressing the START/RESET button for one second. Once the programme has been accepted all of the option and status LED's will illuminate momentarily, the Door Lock LED (i) will be lit and the relevant wash cycle progress LED will also be lit.  
To cancel it, keep the START/RESET button pressed for at least 2 seconds.
8. When the programme is finished, the ON-OFF/DOOR LOCK Led will flash to indicate that the appliance door can be opened. Take out your laundry and leave the appliance door ajar to allow the drum to dry thoroughly. Turn the Washer-dryer off by pressing button (I).

## Programme table

Type of fabric and degree of soil	Prog.	Temperature	Drying Cycle	Detergent		Fabric softener	Cycle length (minutes)	Max. Spin Speeds (r.p.m.)	Description of wash cycle
				pre-wash	wash				
<b>Standard</b>									
Extremely soiled whites (sheets, tablecloths, etc.)	1	90°C	•	•	•	•	135	Max.	Pre-wash, wash cycle, rinse cycles, intermediate and final spin cycles
Extremely soiled whites (sheets, tablecloths, etc.)	2	90°C	•		•	•	125	Max.	Wash cycle, rinse cycles, intermediate and final spin cycles
Heavily soiled whites and fast colours	2	60°C	•		•	•	110	Max.	Wash cycle, rinse cycles, intermediate and final spin cycles
Heavily soiled whites and delicate colours	2	40°C	•		•	•	105	Max.	Wash cycle, rinse cycles, intermediate and final spin cycles
Slightly soiled whites and delicate colours (shirts, jumpers, etc.)	3	40°C	•		•	•	70	Max.	Wash cycle, rinse cycles, intermediate and final spin cycles
Heavily soiled fast colours (baby linen, etc.)	4	50°C	•		•	•	75	800	Wash cycle, rinse cycles, anti-crease or delicate spin cycle
Heavily soiled fast colours (baby linen, etc.)	4	40°C	•		•	•	60	800	Wash cycle, rinse cycles, anti-crease or delicate spin cycle
Wool	5	40°C			•	•	50	600	Wash cycle, rinse cycles anti-crease or delicate spin cycle
Very delicate fabrics (curtains, silk, viscose, etc.)	6	30°C			•	•	45	no	Wash cycle, rinse cycles, anti-crease or draining cycle
Drying cotton	7		•					Max.	
Drying delicates	8		•					no	
<b>Time 4 you</b>									
Heavily soiled whites and fast colours	9	60°C			•	•	65	Max.	Wash cycle, rinse cycles, intermediate and final spin cycles
Delicate colours (all types of slightly soiled garments)	10	40°C			•	•	45	800	Wash cycle, rinse cycles, delicate spin cycle
Delicate colours (all types of slightly soiled garments)	11	30°C	•		•	•	30	800	Wash cycle, rinse cycles and delicate spin cycle
<b>Sport</b>									
Sports shoes (MAX. 2 pairs)	12	30°C			•	•	50	800	Cold wash (without detergents), wash cycle, rinse cycles, and delicate spin cycle
Fabrics for sportswear (Tracksuits, shorts, etc.)	13	30°C			•	•	60	600	Wash cycle, rinse cycles, intermediate and final spin cycles
<b>PARTIAL PROGRAMMES</b>									
Rinse			•			•		800	Rinse cycles and spin cycle
Spin cycle			•					800	Draining and spin cycle
Drain								no	Drain

## Notes

- For programme 9, we advise against exceeding a wash load of 3.5 kg.
- For programme 13 we advise against exceeding a wash load of 2 kg.
- For the anti-crease function: see Easy iron, *opposite page*. The information contained in the table is purely indicative.

## Special programme

*Daily* (programme 11 for Synthetics) is designed to wash lightly soiled garments in a short amount of time: it only lasts 30 minutes and allows you to save on both time and energy. By setting this programme (11 at 30°C), you can wash different fabrics together (except for woollen and silk items), with a maximum load of 3 kg.  
We recommend the use of liquid detergent.



## Setting the temperature

Turn the TEMPERATURE knob to set the wash temperature (see Programme table on page 8). The temperature can be lowered, or even set to a cold wash (❄).

## Set the drying cycle

Turn the DRYING knob to set the desired drying type. Two options are available:

**A** - Based on time: From 40 minutes to 150.

**B** - Based on the damp level of the dry clothes:

**Iron** : slightly damp clothes, easy to iron.

**Hanger** : dry clothes to put away.

**Cupboard** : very dry clothes, recommended for towelling and bathrobes.

A cooling stage is foreseen at the end of the drying cycle.

If your laundry load to wash and dry is exceptionally in excess of the maximum load foreseen (see table opposite), perform the wash cycle, and when the programme is complete, divide up the garments and put part of them back in the drum. Now follow the instructions provided for a **dry only** cycle. Repeat this procedure for the remainder of the load.

### Dry only

Turn the PROGRAMME knob to one of the drying settings (7-8) depending on the type of fabric, then select the desired drying type using the DRYING knob.

**Important:** - A spin cycle is carried out during the drying if you have set a cotton programme and a level of dryness (Cupboard , Hanger , Iron ).

- For cotton loads of less than 1 Kg, use the drying programme designed for delicate fabrics.

## Functions

To enable a function:

1. press the button corresponding to the desired function, according to the table below;
2. the function is enabled when the corresponding button is illuminated.

Note: The rapid flashing of the button indicates that the corresponding function cannot be selected for the programme set.

Function	Effect	Comments	Enabled with programmes:
<b>Delay Timer</b>	Delays the start of the wash by up to 9 hours.	Press the button repeatedly until the LED corresponding to the desired delay is turned on. The fifth time the button is pressed, the function will be disabled. N.B.: Once you have pressed the Start/Reset button, the delay can only be decreased if you wish to modify it.	All
<b>Easy iron</b>	This option reduces the amount of creasing on fabrics, making them easier to iron.	When this function is set, programmes 4, 5, 6 will end with the laundry left to soak (Anti-crease) and the Rinse cycle phase LED  will flash. - to conclude the cycle, press the START/RESET button; - to run the draining cycle alone, set the knob to the relative symbol  and press the START/RESET button.	3, 4, 5, 6, 9, 10, Rinse cycle.
<b>Extra Rinse</b>	Increases the efficiency of the rinse.	Recommended when the appliance has a full load or with large quantities of detergent.	1, 2, 3, 4, 9, 10, 12, 13, Rinse cycle.
<b>1200-600</b>	Reduces the spin speed.		All programmes except for 6 and draining.

! The machine has an intelligent built in check for out of balance loads. To let protect your machine it may reduce the final spin speed if an unbalanced load is detected.

Table of drying times

The data contained in the table are purely indicative.

Fabric type	Load type	Max. load (kg)	Cup-board	Hanger	Iron
Cotton, Linen	Clothing of different sizes	4	130	120	110
Cotton	Terry towels	4	130	120	110
Terital, Cotton	Sheets, Shirts	2,5	90	80	70
Acrylics	Pyjamas, socks, etc.	1	65	60	60
Nylon	Slips, tights, stockings, etc.	1	65	60	60

GB

Installation

Description

Programmes

Detergents

Precautions

Care

Troubleshooting

Service

# Detergents and laundry

GB

## Detergent dispenser

Good washing results also depend on the correct dose of detergent: adding too much detergent won't necessarily make for a more efficient wash, and may in fact cause build up on the interior of your appliance and even pollute the environment.



Open up the detergent dispenser and pour in the detergent and fabric softener, as follows.

**compartment 1: Detergent for pre-wash (powder)**

**compartment 2: Detergent for the wash cycle (powder or liquid)**

Liquid detergent should only be poured in immediately prior to the wash cycle start.

**compartment 3: Additives (fabric softeners, etc.)**

The fabric softener should not overflow from the grid.

**!** Do not use hand wash detergent because it may form too much foam.

## Preparing your laundry

- Divide your laundry according to:
  - the type of fabric/the symbol on the label.
  - the colours: separate coloured garments from whites.
- Empty all pockets and check for loose buttons.
- Do not exceed the weight limits stated below, which refer to the weight when dry:
  - Sturdy fabrics: max 5 kg
  - Synthetic fabrics: max 2.5 kg
  - Delicate fabrics: max 2 kg
  - Wool: max 1 kg

### How much does your laundry weigh?

- 1 sheet 400-500 g
- 1 pillow case 150-200 g
- 1 tablecloth 400-500 g
- 1 bathrobe 900-1,200 g
- 1 towel 150-250 g

## Special items

**Curtains:** fold curtains and place them in a pillow case or mesh bag. Wash them separately without exceeding half the appliance load. Use programme 6 which excludes the spin cycle automatically.

**Quilted coats and windbreakers:** if they are padded with goose or duck down, they can be machine-washed. Turn the garments inside out and load a maximum of 2-3 kg, repeating the rinse cycle once or twice and using the delicate spin cycle.

**Wool:** for best results, use a specific detergent, taking care not to exceed a load of 1 kg.

! The Washer-dryer was designed and built in compliance with the applicable international safety regulations. The following information is provided for your safety and should consequently be read carefully.

## General safety

- This appliance has been designed for non-professional, household use and its functions must not be changed.
- This washing machine should only be used by adults and in accordance with the instructions provided in this manual.
- Never touch the washing machine when barefoot or with wet or damp hands or feet.
- Do not pull on the power supply cable to unplug the appliance from the electricity socket. Pull the plug out yourself.
- Do not open the detergent dispenser while the appliance is in operation.
- Do not touch the drain water as it could reach very high temperatures.
- Never force the washing machine door: this could damage the safety lock mechanism designed to prevent any accidental openings.
- In the event of a malfunction, do not under any circumstances touch internal parts in order to attempt repairs.
- Always keep children well away from the appliance while in operation.
- The appliance door tends to get quite hot during the wash cycle.
- Should it have to be moved, proceed with the help of two or three people and handle it with the utmost care. Never try to do this alone, because the appliance is very heavy.
- Before loading your laundry into the washing machine, make sure the drum is empty.
- During the drying phase, the door tends to get quite hot.
- Do not use the appliance to dry clothes that have been washed with flammable solvents (e.g. trichlorethylene).
- Do not use the appliance to dry foam rubber or similar elastomers.
- Make sure that the water tap is turned on during the drying cycles.
- This washer-dryer can only be used to dry clothes which have been pre-washed in water.

## Disposal

- Disposing of the packaging material: observe local regulations, so the packaging can be re-used.
- The European Directive 2002/96/EC on Waste Electrical and Electronic Equipment, requires that old household electrical appliances must not be

disposed of in the normal unsorted municipal waste stream. Old appliances must be collected separately in order to optimise the recovery and recycling of the materials they contain and reduce the impact on human health and the environment. The crossed out "wheeled bin" symbol on the product reminds you of your obligation, that when you dispose of the appliance it must be separately collected.

Consumers should contact their local authority or retailer for information concerning the correct disposal of their old appliance.

## Saving energy and respecting the environment

### Environmentally-friendly technology

If you only see a little water through your appliance door, this is because thanks to the latest Ariston technology, your washing machine only needs less than half the amount of water to get the best results: an objective reached to respect the environment.

### Saving on detergent, water, energy and time

- To avoid wasting resources, the Washer-dryer should be used with a full load. A full load instead of two half loads allows you to save up to 50% on energy.
- The pre-wash cycle is only necessary on extremely soiled garments. Avoiding it will save on detergent, time, water and between 5 and 15% energy.
- Treating stains with a stain remover or leaving them to soak before washing will cut down the need to wash them at high temperatures. A programme at 60°C instead of 90°C or one at 40°C instead of 60°C will save up to 50% on energy.
- Use the correct quantity of detergent depending on the water hardness, how soiled the garments are and the amount of laundry you have, to avoid wastage and to protect the environment: despite being biodegradable, detergents do contain ingredients that alter the natural balance of the environment. In addition, avoid using fabric softener as much as possible.
- If you use your washing machine from late in the afternoon until the early hours of the morning, you will help reduce the electricity board's peak load. The Delay Timer option (see page 9) helps to organise your wash cycles accordingly.
- If your laundry has to be dried in a tumble dryer, select a high spin speed. Having the least water possible in your laundry will save you time and energy in the drying process.

GB

Installation

Description

Programmes

Detergents

Precautions

Care

Troubleshooting

Service

# Care and maintenance

GB

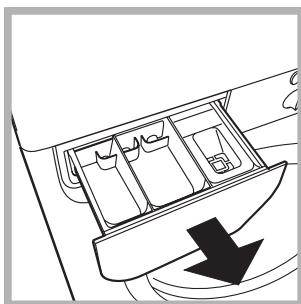
## Cutting off the water or electricity supply

- Turn off the water tap after every wash. This will limit the wear of your appliance's water system and also prevent leaks.
- Unplug your appliance when cleaning it and during all maintenance operations.

## Cleaning your appliance

The exterior and rubber parts of your appliance can be cleaned with a soft cloth soaked in lukewarm soapy water. Do not use solvents or abrasives.

## Cleaning the detergent dispenser



Remove the dispenser by raising it and pulling it out (see figure). Wash it under running water; this operation should be repeated frequently.

## Caring for your appliance door and drum

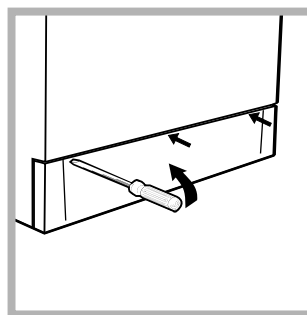
- Always leave the appliance door ajar to prevent unpleasant odours from forming.

## Cleaning the pump

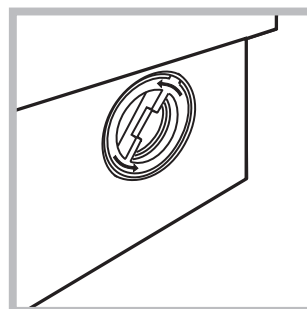
The Washer-dryer is fitted with a self-cleaning pump that does not require any maintenance. Sometimes, small items (such as coins or buttons) may fall into the pre-chamber that protects the pump, situated in the lower part of the same.

**!** Make sure the wash cycle has ended and unplug the appliance.

To access the pre-chamber:



1. using a screwdriver, remove the cover panel on the lower front of the Washer-dryer (see figure);



2. unscrew the lid rotating it anti-clockwise (see figure): a little water may trickle out. This is perfectly normal;

3. clean the interior thoroughly;
4. screw the lid back on;
5. reposition the panel, making sure the hooks are securely in place before you push it onto the appliance.

## Checking the water inlet hose

Check the water inlet hose at least once a year. If you see any cracks, replace it immediately: during the wash cycles, water pressure is very strong and a cracked hose could easily split open.

**!** Never use hoses that have already been used.

Your washer-dryer could fail to work. Before calling for Assistance (see page 14), make sure the problem can't easily be solved by consulting the following list.

## Problem

## Possible causes/Solution:

**The washer-dryer won't start.**

- The appliance is not plugged into the socket, or not enough to make contact.
- There has been a power failure.
- The appliance door is not shut properly.
- The (I) button has not been pressed.
- The START/RESET button has not been pressed.
- **NB:** It should be held minimum one second.
- The water tap is not turned on.
- A delayed start has been set (using the Delay Timer, see page 9).

**The washer-dryer does not fill with water.**

- The water inlet hose is not connected to the tap.
- The hose is bent.
- The water tap is not turned on.
- There is a water shortage.
- The water pressure is insufficient.
- The START/RESET button has not been pressed.

**The machine continuously fills and empties with water.**

- The drain hose is too low or too far in to the stand pipe (see page 3) for correct installation.
- The wall drainage system doesn't have a standard pipe (min. 38 mm).

**The washer-dryer does not drain or spin.**

- Some programs have a slower final spin to take best care of the fabrics. See page 8 for details of the final spin speed for each program.
- The programme does not foresee the draining: some programmes require enabling the draining manually (see page 8).
- The Easy iron option is enabled: to complete the programme, press the START/RESET button (see page 9).
- The drain hose is bent (see page 3).
- Remove the drain hose from the standpipe or under-sink trap and check for blockages, ensuring that the water can drain freely away from the machine.

**The washer-dryer vibrates too much during the spin cycle.**

- When the machine is installed, the locking screws for the oscillating assembly are still in place. Remove the screws (see page 2).
- The washer-dryer is not level (see page 2).
- The washer-dryer is closed in between furniture cabinets and the wall (see page 2).

**The washer-dryer leaks.**

- The water inlet hose is not screwed on correctly (see page 2).
- The detergent dispenser is obstructed (to clean it, see page 12).
- The drain hose is not secured properly (see page 3).

**The ON-OFF/DOOR LOCK Led flashes rapidly at the same time as at least one other LED.**

- This means there is a problem with the machine. Before calling Assistance, please follow the set of instructions below:
  1. Switch off the machine;
  2. Remove the plug connecting the appliance to the mains supply and wait for at least 40 seconds;
  3. Place the plug back into the socket;
  4. Switch on the machine;
  5. If the problem is still evident after this process has been carried out, contact Assistance.

**There is too much foam.**

- The detergent is not suitable for machine washing (it should bear the definition "for washing machines" or "hand and machine wash", or the like).
- You used too much detergent.

**The washer-dryer does not dry.**

- The appliance is not plugged into the socket, or not enough to make contact.
- There has been a power failure.
- The appliance door is not shut properly.
- A delayed start has been set (using the Delay Timer, see page 9).
- the DRYING knob is on the 0 setting.

GB

Installation

Description

Programmes

Detergents

Precautions

Care

Troubleshooting

Service

# Service

---

GB

## **Before calling for Assistance:**

- Check whether you can solve the problem on your own (*see page 13*);
- Restart the programme to check whether the problem has been solved;
- If this is not the case, contact an authorised Technical Service Centre on the telephone number provided on the guarantee certificate.

! If the machine has been installed or used incorrectly, you may be charged for the maintenance callout service.

! Always request the assistance of authorised servicemen.

## **Notify the operator of:**

- the type of problem;
- the appliance model (Mod.);
- the serial number (S/N).

This information can be found on the data plate situated on the rear of the washer-dryer.

### الفهرس

#### التركيب 16 - 17 - 18 - 19

- 16 اخراج الجهاز من تغليفه و تسوية الجهاز ،
- 17 توصيلات الماء والهرياء ،
- 18 أول دورة غسيل ،
- 19 مواصفات فنية ،

#### وصف غسالة نشافة الملابس 20-21

- 20 لوحة القيادة ،
- 21 صابيح انذار ،

#### التشغيل و البرمجة، 22

- 22 ببساطة: تشغيل برنامج ،
- 22 لوحة البرامج ،

#### تشخيص، 23

- 23 وضع درجة الحرارة ؛
- 23 وضع عملية التشيف ،
- 23 وظائف ،

#### مساحيق غسيل و ملابس، 24

- 24 حوض مساحيق الغسيل ،
- 24 دورة التبييض ،
- 24 تحضير الملابس للغسيل ،
- 24 أقمشة خاصة ،

#### حذر ونصائح، 25

- 25 أمن عام ،
- 25 التخلص من النفايات ،
- 25 الاقتصاد و احترام البيئة ،

#### صيانة و حماية، 26

- 26 اغلاق الماء و التيار الكهربائي ،
- 26 تنظيف غسالة نشافة الملابس ،
- 26 تنظيف حوض مساحيق الغسيل ،
- 26 حماية باب الغسالة نشافة و حوض غسيل الغسالة ،
- 26 تنظيف مضخة تفريغ الغسالة نشافة من الماء ،
- 26 فحص خرطوم تغذية الغسالة نشافة بالماء ،

#### حصول بعض المشاكل وحلول لها، 27

#### الصيانة الفنية، 28

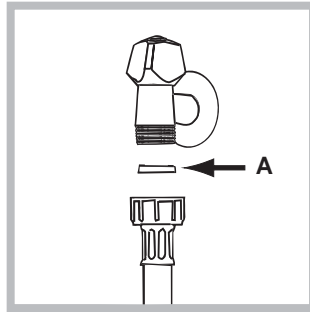
عربي

WIDL 126

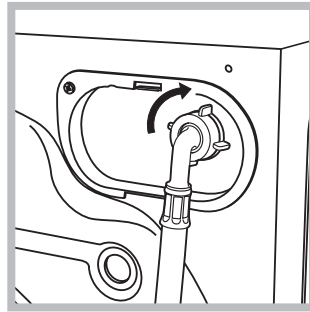
وضع الجهاز بشكل مستوي تعمل على ثبات الجهاز بمكانه وعدم ذبذبه، وعدم سماع اصوات مزعجة خلال عمل الجهاز أو تحرك الجهاز من مكانه خلال عمل الجهاز، في حالة وجود مكيت أو سجاد على الأرضية تحت الجهاز عيروا الأرجل تحت الجهاز بحيث يتم ترك مسافة بين اجهاز والأرضية تحته وذلك لترك حيز لدخول الهواء من أجل التهوية.

## توصيل الماء والكهرباء بالجهاز توصيل خرطوم تغذية الجهاز بالماء

1. أدخلوا حلقة عدم تسرب الماء المشار لها بالحرف A في نهاية خرطوم واربطوه بنحيس ماء بارد بفتحة مسننه بسن 4/3 غاز (انظر الى الشكل)  
قبل وصله بالجهاز اتركوا الماء يخرج من المحبس حتى خروج ماء صافية من المحبس.



2. اشبكوا الخرطوم الذي يغذي الغسالة النشافة بالماء وذلك بربطه بمدخل الماء الموجود في ظهر الغسالة من الخلف في المنطقة العليا على اليمين. (انظر الى الشكل)



3. خذوا حذرکم من لا يكون الخرطوم مطوي أو مخنوق في مكان ما علة طول امتداده.

! ضغط شبكة الماء يجب أن تكون بالقيم التي تكون معطية ومكتوبة لائحة الخصائص الفنية للجهاز (انظر الى الصفحة الجانبية)

! اذا كان طول خرطوم تغذية الغسالة النشافة بالماء غير كافي استعينوا بقسم الصيانة الفنية أو المحلات المختصة أو فني مؤهل بالقيام بعمليات الصيانة الفنية.

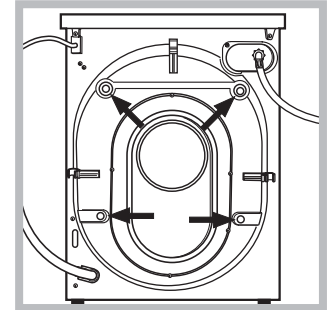
! من المهم الحفاظ على هذا الكتيب ليتمكنكم العودة اليه عند الحاجة الى التعرف على معلومات عن الجهاز في أي لحظة، في حالة بيع الجهاز أو اعطاه كهدية أو عند نقل الجهاز من مكان لآخر، تأكدوا من أن يبقى هذا الكتيب مع الجهاز وذلك لتقديم معلومات تتعلق بتشغيل وبرمجة الجهاز بالإضافة الى النصائح والتحذير للمالك الجديد للجهاز.

! أقرؤوا بتمعن التعليمات: في داخل هذا الكتيب موجود معلومات هامة تتعلق بالتصنيف، الاستعمال، وأمن الجهاز.

## اخراج الجهاز من تغليفه وتسوية الجهاز

### اخراج الجهاز من تغليفه

1. اخرجوا الغسالة النشافة من تغليفها  
2. تأكدوا من الغسالة النشافة لم يحدث لها أضرار خلال شحنها ونقلها من مكان لآخر، اذا كان الجهاز مضرر أو مضروب في مكان ما لا تقوموا بعملية توصيله أو تركيبه، واتصلوا بالبائع.



3. اخلعوا الأربع براغي التي تحمي الجهاز خلال عملية النقل، وكذلك اخلعوا القطع المطاطية ومباعد كل واحدة من هذه، التي تكون موجودة في المنطقة الخلفية من الجهاز (انظر الى الشكل)

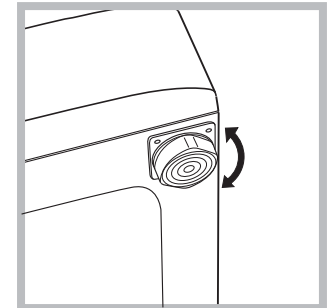
4. اغلقوا الثقوب بواسطة الأغطية البلاستيكية التي تكون مزودة مع الجهاز.  
5. اغلغوا بالأغطية التي تكون مزودة مع الجهاز الثلاث ثقوب حيث يكون موضوع قابس التيار الكهربائي (الذکر) الذي يكون موجود في خلف الجهاز من الأسفل على اليمين.  
6. حافظوا على جميع القطع التي تم فكها: عند نقل الجهاز من مكان لآخر يجب تركيب هذه القطع مكانها من جديد.

! يجب عدم ترك الأطفال اللعب بتغليف الجهاز.

### تسوية الجهاز

1. ركبوا غسالة نشافة الملابس على أرضية مستوية وصلبة بدون ارتكازها على حائط أو قطع أثاث أو أي شيء اخر.

2. اذا كانت الأرضية غير مستوية، يمكنكم الاستعانة بالأرجل الأمامية المتحركة والتي قابلة التعديل في ارتفاعها وذلك لازالة عدم استواء الأرضية (انظر الى الشكل). زاوية الميلان التي يمكنكم قياسها على السطح العلوي للجهاز يجب أن لا يزيد عن 2 درجة.





### تغيير المنصهرة (الفيوز)

عند تغيير المنصهرة (الفيوز) المعطوب، استخدموا دائماً منصهرة 13 أمبير ASTA خاضعة للمقياس BS 1362 وأعيدوا غطاء المنصهرة الى مكانه الذي كان فيه، في حالة فقدان هذا الغطاء لا تستخدموا القابس حتى الحصول على هذا الغطاء وتركيبه في مكانه.

### تغيير غطاء المنصهرات (الفيوزات):

إذا تم تغيير غطاء الفيوزات تأكدوا من أن لونه هو اللون الصحيح والمشار له بواسطة الرقم أو الكتابة الملونة الموجودة على قاعدة القابس، لقطع الغيار، استعينوا مباشرة بقسم الصيانة الفنية القريب عليكم.

### فك القابس (الذكر):

في حالة أن يكون الجهاز مزود بقابس (الذكر) لا يمكن فكه لأنه مصهور وتريدون تمرير سلك التغذية الكهربائية من خلال ثقب أو فتحات صغيرة لا يمر من خلالها القابس قوموا بتغيير القابس المصهور بقابس يمكن فكه وتركيبه وقادر على تحمل 13 أمبير ويحمل الشعار BSI.

أو

وصل سلك التغذية الكهربائية بمنبع التيار الكهربائي بواسطة مفتاح قادر على تحمل 13 أمبير (وخاضع للمقياس BS 5733) يمكن الوصول اليه بدون تحريك الجهاز من مكانه.

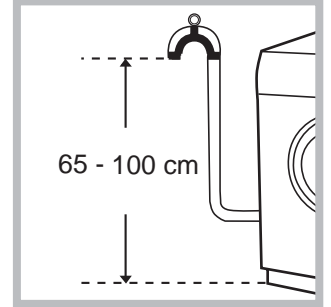
### ازالة القابس (الذكر):

قبل رمي القابس اجعلوه غير قابل للاستعمال وذلك بكسر رؤوسه بحيث لا يمكن ادخاله داخل ثقب مقبس (الأنثى) بشكل عفوي. تعليمات من أجل توصيل سلك التغذية الكهربائية بقابس (الذكر): مهم: ألوان الأسلاك التغذية الكهربائية تشير الى التالي:

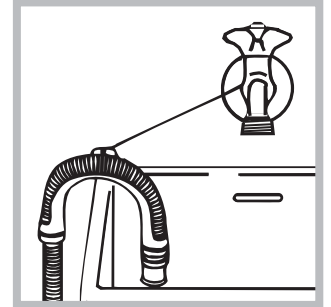
أصفر/أخضر	خط أرض
أزرق	محايد (نيوترل)
بنّي	تغذية

ولأن ألوان سلك التغذية الكهربائية يمكن أن لا يطابقوا الاشارات الملونة التي تعرف مرابط القابس، اتبعوا الخطوات التالية:  
أوصلوا السلك الأصفر/الأخضر بالمربط المشار له بالحرف E أو بالشعار  $\equiv$  أو اللون الأخضر أو الأصفر/الأخضر  
أوصلوا السلك البنّي بالمربط المشار له بالحرف L أو باللون الأحمر.  
أوصلوا السلك الأزرق بالمربط المشار له بالحرف N أو باللون الأسود.  
إذا استخدمتم قابس (الذكر) 13 أمبير (BS 1363) ركبوا منصهرة (فيوز) 13 أمبير في المقبس أو في المهاي أو على لوحة التوزيع.

أوصلوا خرطوم تفريغ الماء من حوض غسل الغسالة بدون طويه، بماسورة صرف للماء، أو بمصرف موجود في الحائط على أن يكون ارتفاعه ما بين 65 و 100 سنتيمتر عن سطح الأرض



أو قوموا بوضعه على حافة مغسلة أو حوض حمام، اربطوا الخرطوم بحامل الخرطوم الذي يكون مزود مع الجهاز بمحسب الماء (انظر الى الشكل) الطرف الحر من الخرطوم يجب أن لا يكون مغمور في الماء.



غير منسوح استخدام خرطوم تطويل، إذا كان من الضروري استخدام خرطوم التطويل يجب أن يكون قطر هذا الخرطوم نفس قطر الخرطوم الرئيسي ويجب أن لا يزيد طوله عن 150 سنتيمتر.

### التوصيل بشبكة التيار الكهربائي

قبل ادخال قابس التيار الكهربائي (الذكر) بمقبس التيار الكهربائي (الأنثى) تأكدوا من أن:

- مقبس التيار الكهربائي (الأنثى) لها خط أرض فعال وخاضع الى القوانين
  - مقبس التيار الكهربائي (الأنثى) قادر على تحمل القدرة الكهربائية القصوى الممنصة من قبل الجهاز ويكون مشار لها في لائحة الخصائص الفنية للجهاز (انظر صفحة 19).
  - فرق جهد شبكة الكهرباء يجب أن تكون في القيم التي تكون موجودة والمشار لها في لائحة الخصائص الفنية للجهاز (انظر صفحة 19).
  - مقبس التيار الكهربائي (الأنثى) ملائم لقابس التيار الكهربائي (الذكر) المزود مع الغسالة في حالة عدم توافقهم قوموا بعملية تغيير احدهما.
- جهازكم الكهربائي مزود بقابس (الذكر) مصهور وقادر على تحمل تيار كهربائي 13 أمبير ويمكنكم ادخال هذا القابس بمقبس (الأنثى) يتوافق معه للاستخدام المباشر، اقرأوا التعليمات التالية قبل استخدام الجهاز الكهربائي.

**انتباه:** الجهاز الكهربائي يجب أن يكون موصل بخط أرض فعال، العمليات المشروحة أدناه هي تعليمات موجه الى فني كهربائي مختص.

في حالة الشك بالتغذية الكهربائية لجهازكم استدعوا فني كهربائي مختص قبل وصل الجهاز بمنبع التيار الكهربائي.

بعد الانتهاء من عملية تركيب الجهاز، وقبل استخدامه، قوموا بعملية غسيل مستخدمين مسحوق غسيل وبدون ملابس داخل الغسالة، مستخدمين برنامج الغسيل على 90 درجة مئوية بدون عملية غسيل بدائية.

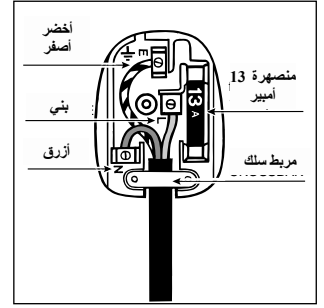
#### وصل قابس (الذكر) بديل:

ألوان الأسلاك التغذية الكهربائية تشير الى التالي:

أزرق	محايد (نيوترل) (N)
بني	تغذية (L)
أصفر/أخضر	خط أرض (E)

#### ازالة الجهاز الكهربائي البيتي:

عند رمي جهاز كهربائي بيتي، يجب ازالة قابس التيار الكهربائي (الذكر) وذلك بقص سلك التغذية الكهربائية بأقرب نقطة ممكنة من القابس وقوموا بتحطيم رؤوس القابس كما ذكر سابقا.



! الغسالة لا توضع في الخارج حتى لو كان المكان مغطى وذلك لأنه من الخطر ترك الجهاز تحت عوامل الطقس مثل المطر يرق رعد الى اخره.

! بعد الانتهاء من تركيب الجهاز يجب أن يكون من السهل الوصول الى مقبس التيار الكهربائي (الأنثى).

! لا تستخدموا مهابينات او مقبس متعدد الثقوب أو اسلاك تطويل.

! سلك التغذية الكهربائية يجب أن لا يكون مطوي أو محشور بين الأثاث.

! سلك التغذية الكهربائية يجب أن يتم تبديله وقت الحاجة فقط من قبل فني مختص ومؤهل للقيام بهذا.

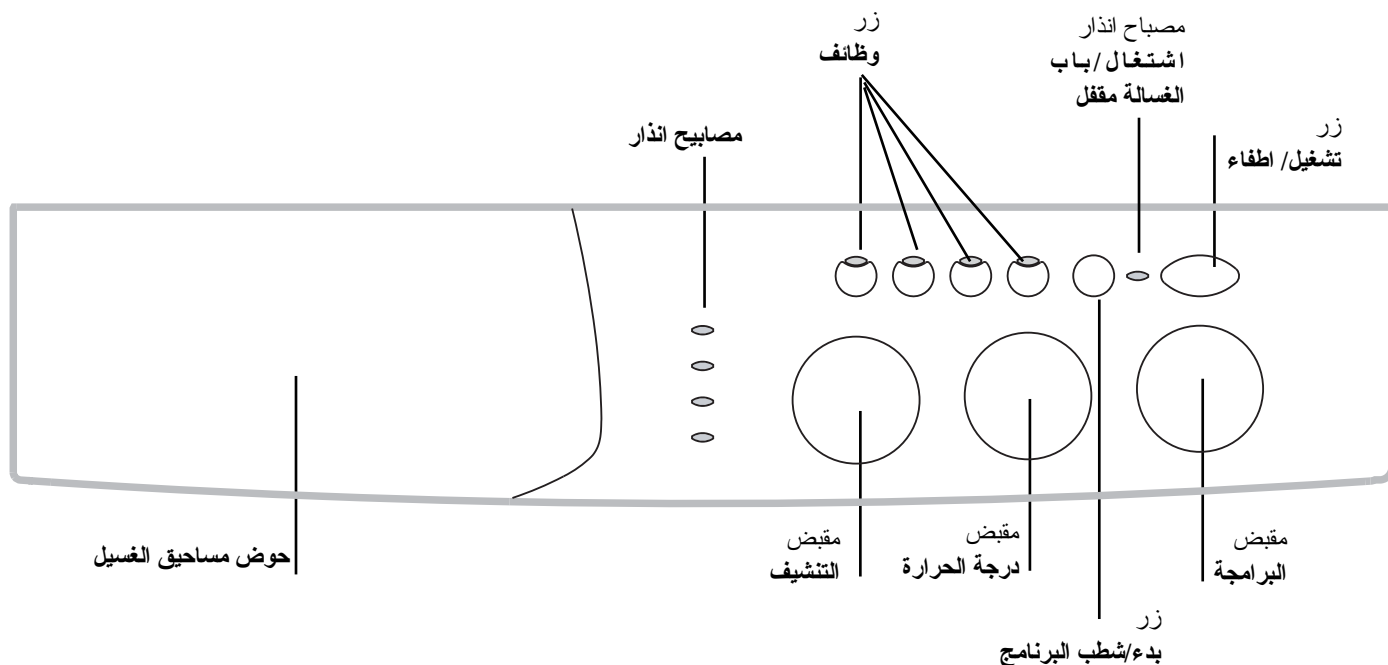
انتبه: الشركة الصانعة تسقط عن نفسها أي مسؤولية عن أضرار قد تحصل من عدم اتباع واحترام هذه قواعد الأمان.

مواصفات فنية	
المدين	WIDL 126
الأبعاد	العرض 59.5 سنتمتر الارتفاع 85 سنتمتر العمق 53.5 سنتمتر
القدرة	من 1 الى 5 كغم في عملية الغسيل من 1 الى 4 كغم في عملية التنشيف
التوصيلات الكهربائية	فرق جهد 240/230 فولت 50 هيرتز القدرة القصوى الممتصة من قبل الجهاز 2050 واط
التوصيلات الهيدروليكية	الضغط القصوى 1 ملبيسكال (10 بار) الضغط الدنيا 0.05 ملبيسكال (0.5 بار) قدرة حوض الغسيل 46 لتر
سرعة العصر الدورانية	حتى 1200 دورة في الدقيقة
برامج تجربة الجهاز حسب القواعد IEC456	الغسيل: برنامج 2، درجة حرارة 60 درجة مئوية، تمت التجربة بحمل غسيل 5 كغم التنشيف: التنشيف الأول تم بحمل 1 كغم وباختيار زمن تنشيف 40 دقيقة، التنشيف الثاني تم بحمل 4 كغم وبوضع مقبض التنشيف على الوضع 
	هذا الجهاز يطابق المواصفات المطلوبة من سوق الدول الأوروبية المشتركة: - بما يتعلق بفرق جهد منخفض - بما يتعلق التوافق الكهرومغناطيسي



# وصف غسالة نشافة الملابس

## لوحة القيادة



حوض مساحيق الغسيل لوضع مساحيق الغسيل والمساحيق الاضافية (انظر صفحة رقم 24)  
مقبض درجة الحرارة لوضع درجة حرارة الغسيل أو القيام بعملية الغسيل بماء بارد (انظر الى صفحة 23)

زر بدء/شطب البرنامج START/RESET لتشغيل البرامج أو الغائها عندما يقع خطأ في البرمجة

مصباح انذار اشتغال/باب الغسالة النشافة مقفل لفهم اذا ما كانت غسالة نشافة الملابس تشتغل وإذا كان من الممكن فتح باب الغسالة النشافة (انظر الى صفحة 21)

زر تشغيل/اطفاء لتشغيل واطفاء الغسالة النشافة.

مقبض البرمجة لوضع البرامج (انظر الى صفحة 22)،  
خلال البرنامج يبقى المقبض ثابت في مكانه.

مصباح الانذار لمراقبة حالة تقدم برنامج الغسيل خلال عمله  
إذا تم وضع الوظيفة تأخير عمل دورة الغسيل Delay Timer سوف يشيرون الى الزمن المتبقي حتى تبدأ دورة الغسيل (انظر الى صفحة 21)

مقبض التنشيف لوضع وبرمجة عملية التنشيف التي ترغبون استخدامها (انظر صفحة 23)

أزرار الوظائف لاختيار الوظائف التي تكون مزودة بها غسالة نشافة الملابس، الزر الذي يقوم بتشغيل احدي الوظائف يكون مضيء عند اختياره.

## مصباح الانذار

**مرحلة بالعمل**  
خلال دورة الغسيل مصباح الانذار تضيء واحد تلو الآخر ليشير كل واحد من هذه المصابيح الى تقدم برنامج الغسيل:

مصباح الانذار يقدمون معلومات هامة.  
ها هو ما يقدمون من معلومات:

الغسيل البدائي/ الغسيل العادي		
الفضضة		
عملية العصر الدورانية		
عملية التنشيف		


### موضوع تأخير بدء برنامج الغسيل:

اذا كانت موضوعة الوظيفة تأخير بدء برنامج الغسيل Delay Timer (انظر الى صفحة رقم 19) بعد أن قمت بتشغيل البرنامج، يبدأ المصباح الخاص بوظيفة تأخير بدء برنامج الغسيل بعملية الاضاءة والانطفاء بشكل متردد:

		2h
		4h
		6h
		9h

ملاحظة:

- خلال عملية تفريغ الماء من حوض غسيل الغسالة النشافة يضيء المصباح الخاص بعملية العصر الدورانية.

- عند انتهاء دورة التنشيف، المصباح الذي يشير الى هذه المرحلة -  - يبدأ بالاضاءة وانطفاء بشكل متردد ليشير الى انه يجب اعادة وضع مقبض التنشيف الى الوضع 0 .

مع مرور الزمن تظهر المدة الزمنية المتبقية من التأخير بواسطة اضاءة وانطفاء بشكل متردد المصباح الذي يقابل الفترة الزمنية المتبقية

		2h
		4h
		6h
		9h

### ازرار وظائف

ازرار الوظائف لهم أيضا وظيفة مصباح انذار.

عند اختيار احد الوظائف يضيء الزر الخاص بهذه الوظيفة.

اذا كانت الوظيفة المختارة لا تتوافق مع برنامج الغسيل المختار يبدأ هذا الزر بالاضاءة والانطفاء المتردد وهذه الوظيفة لا يتم تشغيلها.

في حالة عدم توافق الوظيفة المختارة مع الوظيفة التي تم اختيارها مسبقا تبقى تعمل فقط كزر وظيفة مختارة

عند مضي وقت التأخير المختار مصباح الانذار الذي كان يضيء وينطفئ بشكل متردد ينطفئ ويبدأ برنامج الغسيل المختار بالعمل.

### مصباح الانذار الذي يشير بتشغيل الغسالة النشافة/الباب مقفل

عندما يكون مصباح الانذار مضيء يشير الى أن باب الغسالة النشافة مقفل وذلك لتجنب فتح باب الغسالة النشافة بشكل عرضي، لتجنب حدوث أضرار لباب الغسالة النشافة من الضروري الانتظار حتى يبدأ هذا المصباح بالاضاءة وانطفاء المتردد قبل القيام بعملية فتح باب الغسالة النشافة.

! الاضاءة والانطفاء المتردد السريع لمصباح الانذار الذي يشير الى عمل الغسالة النشافة/باب الغسالة النشافة مقفل مع اي مصباح اخر يشير الى وجود عطب في الغسالة النشافة ولهذا يجب استدعاء قسم الصيانة الفنية.

## بساطة: تشغيل برنامج

1. شغل غسالة النشافة الملابس وذلك بالضغط على الزر (I)
- جميع مصابيح الانذار تضيء لبعض الثواني ومن ثم ينطفؤون، ويبدأ المصباح الذي يشير الى عمل الغسالة النشافة /باب الغسالة النشافة مقلل يبدأ بالاضاءة والانطفاء المتردد.
2. املئ الغسالة النشافة بالملابس المراد غسلها واغلق باب الغسالة النشافة
3. اختار بواسطة مقبض البرامج البرنامج الذي تودون استخدامه،
4. ضعوا درجة حرارة الغسيل (انظر الى صفحة رقم 23)

5. ضعوا عملية التشفيف اذا كان من الضروري (انظر الى صفحة رقم 23)
6. صب مسحوق الغسيل والمساحيق الاضافية (انظر صفحة 24)
7. شغل البرنامج بالضغط على الزر بدء/شطب START/RESET لمدة 2 ثانية على الأقل
8. عند انتهاء برنامج الغسيل المصباح الذي يشير الى عمل الغسالة/باب الغسالة النشافة مقلل يبدأ بالاضاءة والانطفاء بشكل متردد ليشير الى انه من الممكن الآن فتح باب الغسالة النشافة، اخرج الملابس من الغسالة النشافة واترك باب الغسالة النشافة مفتوح نصف فتحة لينشف حوض الغسيل.

اطفى الغسالة النشافة وذلك بالضغط على الزر (I)

## لائحة البرامج

وصف دورة الغسيل	مدة البرنامج (دقائق)	منعومات	مسحوق		حرارة	برنامج	طبيعة الأنسجة ودرجة وساختها
			عادي	بدائي			
<b>أنسجة عادية</b>							
غسيل بدائي، غسيل عادي، عملية فضفضة، عملية عصر دورانية متوسطة وأخري نهائية	135	◆	◆	◆	90 درجة	1	بيضاء كثيرة الوسخ (شراشف تخوت، شراشف طاولات، الى كخره.)
غسيل عادي، عملية فضفضة، عملية عصر دورانية متوسطة وأخري نهائية	125	◆	◆	◆	90 درجة	2	بيضاء كثيرة الوسخ (شراشف تخوت، شراشف طاولات، الى كخره.)
غسيل عادي، عملية فضفضة، عملية عصر دورانية متوسطة وأخري نهائية	110	◆	◆	◆	60 درجة	2	بيضاء وملونة بألوان ثابتة كثيرة الوسخ
غسيل عادي، عملية فضفضة، عملية عصر دورانية متوسطة وأخري نهائية	105	◆	◆	◆	40 درجة	2	بيضاء وملونة حساسة كثيرة الوسخ
غسيل عادي، عملية فضفضة، عملية عصر دورانية متوسطة وأخري نهائية	70	◆	◆	◆	40 درجة	3	بيضاء قليلة الوسخ وملونة بألوان حساسة (قمصان، بلايز، الى كخره)
غسيل عادي، عملية فضفضة، عملية عصر دورانية متوسطة وأخري نهائية	75	◆	◆	◆	50 درجة	4	ألوان ثابتة كثيرة الوسخ (ملابس اطفال رضع، الى اخره)
غسيل عادي، عملية فضفضة، عملية عصر دورانية متوسطة وأخري نهائية	60	◆	◆	◆	40 درجة	4	ألوان ثابتة كثيرة الوسخ (ملابس اطفال رضع، الى اخره)
غسيل عادي، عملية فضفضة، عملية عصر دورانية متوسطة وأخري نهائية	50	◆	◆	◆	40 درجة	5	صوف
غسيل عادي، عملية فضفضة، ضد الجعلكة، عصر دوراني حساس	45	◆	◆	◆	30 درجة	6	انسجة حساسة جدا (برادي، حرير، الخ)
						7	تشفيف انسجة قطنية
						8	تشفيف انسجة حساسة
<b>الوقت لك Time 4 you</b>							
غسيل عادي، عملية فضفضة، عملية عصر دورانية متوسطة وأخري نهائية	65	◆	◆	◆	60 درجة	9	بيضاء وملونة ثابتة كثيرة الوسخ
غسيل عادي، عملية فضفضة، عملية عصر دورانية حساسة	45	◆	◆	◆	40 درجة	10	الوان حساسة (ملابس بمختلف الانواع قليلة الوسخ).
غسيل عادي، عملية فضفضة، عملية عصر دورانية حساسة	30	◆	◆	◆	30 درجة	11	الوان حساسة (ملابس بمختلف الانواع قليلة الوسخ).
<b>رياضة Sport</b>							
فضفضة و عملية عصر دورانية	50	◆	◆	◆	30 درجة	12	بوات رياضة (2 زوج على الأقصى)
فضفضة، ضد الجعلكة أو تقريغ الماء من الغسالة	60	◆	◆	◆	30 درجة	13	انسجة لملابس رياضية (بدلة رياضة، شراطات، الخ)
<b>برامج جزئية</b>							
تقريغ الماء من الغسالة وعملية عصر دورانية قوية		◆					عملية عصر دورانية
تقريغ الماء من الغسالة وعملية عصر دورانية							عملية عصر دورانية
تقريغ الماء من الغسالة							عملية تقريغ الماء من الغسالة

## ملاحظة

- في البرنامج 9 ينصح ان لا يزيد وزن الملابس المراد غسلها عن 3.5 كيلو غرام.
- في البرنامج 13 ينصح ان لا يزيد وزن الملابس المراد غسلها عن 2 كيلو غرام.
- لوصف ضد الجعلكة: انظر اكري أقل في الصفحة الجانبية، المعلومات المقدمة في اللائحة هي أرقام تقريبية.

## برنامج خاص

غسيل يومي 30 دقيقة (برنامج 11 للانسجة المستخرجة) مدروس لغسيل الملابس قليلة الاتساخ بمدة قصيرة من الزمن، يدوم 30 دقيقة تقريبا يسمح لكم توفير الزمن وتوفير الطاقة، بوضع البرنامج (11 على 30 درجة مئوية) يمكن غسل ملابس من انسجة مختلفة، (ما عدى الحرير) بأقصى حمل غسيل 3 كغم. ننصحكم استخدام منظفات الغسيل السائلة.

## وضع درجة الحرارة


بتدوير مقبض منظم درجة الحرارة يتم وضع درجة حرارة الغسيل (انظر الى لوحة البرامج في صفحة 22) يمكن تخفيض درجة حرارة الغسيل حتى الوصول الى الغسيل بماء بارد ❄️.


## وضع عملية التنشيف


بتدوير مقبض عملية التنشيف يتم وضع نوع عملية التنشيف التي ترغبونها، يمكن اختيار احدي الطريقتين:

A - اعتمادا على الزمن: من 40 الى 150 دقيقة.

B - اعتمادا على درجة رطوبة الملابس المراد تنشيفها:

للكوي  : ملابس قليلا رطبة، سهلة الكوي.

للخزانة  : ملابس ناشفة يمكن وضعها مباشرة في الخزانة.

كثيرة الجفاف  : ملابس كثيرة الجفاف، ينصح للبشاكير وجكيتات الحمام.

عند انتهاء عملية التجفيف يتبعها فترة تبريد.

اذا كانت كمية الملابس المراد غسلها وتنشيفها يزيد عن الكمية القصوى المنصوح

استخدامها في دورة التنشيف (انظر الى اللوحة الموجودة على الجانب)، قوموا بعملية

غسل جميع هذه الملابس وعند انتهاء دورة الغسيل، اقسموها حمل الغسيل الى قسمين،



ضعوا القسم الأول في الغسالة النشافة للقيام بعملية التنشيف متبعين التعليمات الخاصة


فقط بعملية التنشيف وعند انتهاء هذه العملية ضعوا النصف الثاني وأعيدوا عملية

التنشيف من جديد للقسم المتبقي.

## فقط تنشيف

قوموا بعملية تدوير مقبض البرمجة حتى الوصل الى وضع التنشيف (7 - 8) حسب نوع الانسجة المراد تنشيفها، ومن ثم اختاروا طريقة التنشيف التي تودونها وذلك بواسطة مقبض التنشيف.

مهم: خلال عملية التنشيف الجهاز يقوم بالقيام بعملية عصر دورانية اذا تم اختيار احد برامج القطن و أحد درجات التنشيف (كثيرة الجفاف  ، للخزانة  ،

للكوي  )

- لحمل انسجة قطنية وزنها أقل من 1 كيلوغرام استخدموا البرنامج الخاص بتنشيف الانسجة المستخرجة.







## الوظائف

الوظائف المختلفة التي من الممكن استخدامها عند عملية الغسيل وموفرة من قبل الغسالة النشافة تساعد على الحصول على غسيل أنظف وبياض ناصع مثل رغبتكم، لاختيار الوظائف المختلفة يتم اتباع نفس الخطوات وهي كما يلي:

1. اضغط على الزر الخاص بالوظيفة التي تود استخدامها حسب اللوحة الموجودة في الاسفل.

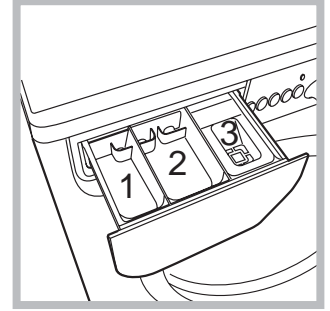
2. اضاءة زر الوظيفة المختارة يدل على عمل هذه الوظيفة.

ملاحظة: اضاءة وانطفاء زر أي وظيفة من الوظائف بشكل متردد يشير الى أن هذه الوظيفة لا يمكن اختيارها واستخدامها مع البرنامج المختار.

الاضافة	تأثيرها	ملاحظة للاستعمال	تعمل مع البرنامج
 تأخير برنامج الغسيل	يؤخر تشغيل الغسالة وبدء برنامج الغسيل حتى 9 ساعة	اضغط عدة مرات الزر حتى يضيء المصباح الذي يشير الى التأخير الذي تودون استخدامه. عند الضغط الخامسة لهذا الزر يتم الغاء عمل هذه الوظيفة ملاحظة: بعد القيام بعملية الضغط على الزر بدء/شطب START/RESET يمكنكم تغيير مقدار التأخير فقط بتقليل هذا الزمن	جميع البرامج
 اكو أقل	يقلل جعلك الانسجة، وسهل في عملية الكوي	وضع هذه الاضافة، البرامج 4-5-6 والفضضة الحساسة يتم توقف برنامج الغسيل بوضع الملابس المغسولة تحت النقع (ضد الجعلكة) ومصباح دورة الفضضة  يبدأ بالاضاءة والانطفاء بتردد - لانتهاء دورة الغسيل اضغط على الزر بدء/شطب START/RESET - لاتمام البرنامج بعملية افرغ الماء ضع المقبض على الشعار  ومن بعدها اضغط على الزر بدء/شطب START/RESET لا تتوافق مع الاضافة تبيض	3 - 4 - 5 - 6 - 9 - 10 - فضضة
 فضضة اضافية	تزيد من قدرة عملية الفضضة	ينصح استخدامها للحمل الكبير أو عند استخدام كميات كبيرة من مسحوق الغسيل	1 - 2 - 3 - 4 - 9 - 10 - 12 - 13 - فضضة
 600 - 1200	يقلل من سرعة عملية العصر الدورانية		جميع البرامج ما عدى 6 و تفرغ الماء

## حوض مساحيق الغسيل

النتائج الجيدة لعملية الغسيل تعتمد أيضا على كمية مسحوق الغسيل الصحيحة، عند وضع كمية أكثر من الحاجة من مسحوق الغسيل لا تتم عملية الغسيل بشكل فعال و تساعد على تكون ترسبات داخ المناطق الداخلية من الغسالة بالاضافة الى تلوث البيئة.



اخرج حوض مساحيق الغسيل من مكانه وضع مسحوق الغسيل والمساحيق الاضافية التي تودون استخدامها بالشكل التالي

**الحوض 1: مساحيق الغسيل الاضافي (بودرة)**

**الحوض 2: مساحيق الغسيل العادي (بودرة او سائل)**  
المنظف السائل يتم صبه فقط قبل تشغيل الغسالة.

**الحوض 3: مساحيق اضافية (منعمات، الى اخره)**  
السائل المنعم يجب أن لا يخرج خارج الشبكة

لا تستخدموا مساحيق غسيل خاصة بالغسيل على اليد لانها تكون رغو كثيرة.

## تحضير الملابس للغسيل

- افصلوا الملابس المراد غسلها حسب:
  - نوع الأنسجة/ الشعار موجود على اللوحة المثبتة على الملابس
  - الألوان: افصلوا الملابس الملونة عن الملابس البيضاء
- فرغوا الجيوب من محتوياتها وتأكدوا من ثبات الازرار
- لا تتعدوا القيم المشار لها، التي تتعلق بوزن الملابس المراد غسلها وهي جافة:
  - انسجة قوية : اقصى حمل للغسالة 5 كغم
  - انسجة مستخرجة: اقصى حمل للغسالة 2.5 كغم
  - أنسجة حساسة: اقصى حمل للغسالة 2 كغم
  - صوف: اقصى حمل للغسالة 1 كغم

## كم تزن الملابس؟

- 1 شرشف تخت 400-500 غرام
- 1 غطاء وسادة 150-200 غرام
- 1 شرشف طاولة أكل 400-500 غرام
- 1 روب حمام 900-1200 غرام
- 1 بشكير 150-250 غرام

## انسجة خاصة

**برادي:** اطوي البرداية وضعها داخل غساة وسادة أو كيس شبكة، اغسلوها لوحدها دون تعدي وزن نصف حمل الغسالة، استخدموا برنامج رقم 6 الذي يفصل بشكل اوتوماتيكي عملية العصر الدورانية.

**لحف و جكيتات ضد الهواء:** اذا كانت حشوة هنه ريش بط أو حيش يمكن القيام بعملية غسلها داخل الغسالة، اقلبوا هنه الملابس وليكون الحمل الأقصى للغسالة لا يزيد عن 2-3 كغم ، اعيدوا دورة الفضضة مرة أو مرتين مستخدمين عملية العصر الحساسة.

**صوف:** للحصول على أفضل نتائج غسيل الصوف استخدموا سائل أو مساحيق غسيل خاص لغسل الصوف وزن حمل الغسالة يجب أن لا يتعدى 1 كغم



## التخلص من النفايات

غسالة نشافة الملابس تم تصميمها وتصنيعها لتكون خاضعة لجميع قواعد الأمن المتعارف عليها دولياً، هذه التحذيرات مقدمة لأسباب أمنية ويجب قرائتها بتمعن.

● التخلص من مواد التغليف :

احترم القوانين المحلية، لأنه من الممكن الاستفادة من التغليف وإعادة تصنيعه

● التخلص من الغسالة النشافة القديمة :

قبل التخلص منها اجعلها غير صالحة للاستعمال وذلك بقطع سلك التغذية الكهربائية وبخلع باب الغسالة النشافة.

## الاقتصاد واحترام البيئة

### التكنولوجيا في خدمة البيئة

إذا رأيتم من خلال باب الغسالة النشافة ماء قليل ذلك لأن التكنولوجيا الجديدة المصممة من قبل شركة ارستن يكفي أقل من نصف كمية الماء للحصول على أفضل نتائج الغسيل: هدف من الأهداف لحماية واحترام البيئة.

### التوفير في مسحوق الغسيل، الماء، الطاقة الكهربائية، والزمين

● لعدم التبذير والاسراف في الدخل استخدموا الغسالة النشافة عندما يتوفر حملها الكامل، حمل كامل للغسالة النشافة مكان حملين بنصف الكمية يوفر 50% من الطاقة.

● عملية الغسيل البدائي ضروري فقط عندما تكزن الملابس كثيرة الوسخ، تجنب عملية الغسيل البدائي يوفر في مسحوق الغسيل، الزمن، ماء وما بين 5 إلى 15% من الطاقة المستهلكة.

● استخدام مزيل للبقع أو ترك الملابس في النقع قبل القيام بعملية الغسيل تقلل من ضرورة القيام بعملية الغسيل على درجات حرارة عالية، برنامج على 60 درجة مئوية بدل من 90 درجة مئوية أو دورة غسيل على 40 درجة مئوية بدل من 60 درجة مئوية توفر حتى 50% من الطاقة الكهربائية .

● استخدم كمية مسحوق الغسيل بالتناسب مع قساوة الماء المستخدم في عملية الغسيل، ومع درجة وساخة الملابس ومع كمية الملابس المراد غسلها، تجنب الاسراف واحمي البيئة، حتى لو كان مسحوق الغسيل قابل للتحلل، لانه يحتوي على مواد كيميائية التي تتلف التوازن البيئي، وايضا تجنبوا استخدام المنعمات.

● القيام بعلية الغسيل بواسطة الغسالة النشافة الكهربائية في المساء حتى ساعات الصباح المبكر تخفف حمل امصاص التيار الكهربائي على شركة الكهرباء حيث تكون تعمل المصانع والشركات، استخدام مؤخر برنامج الغسيل (انظر صفحة رقم 23) يساعدكم على برمجة وتنظيم الغسيل في الساعات التي ترونها مناسبة.

● إذا كان الغسيل يجب أن تتم عملية تجفيفه بواسطة مجففة كهربائية، استخدموا أقصى سرعة عصر دورانية، قلة الماء الموجود في الملابس المراد تجفيفها توفر عليكم زمن وطاقة في برنامج التجفيف.

● هذا الجهاز درس وصمم لكي يكون جهاز للاستعمال البيتي.

● يجب استخدام الغسالة النشافة الكهربائية من قبل أشخاص بالغين وبحسب التعليمات الموجودة في هذا الكتيب.

● لا تلمسوا الجهاز والأرجل عارية أو الأيدي أو الأرجل مبلولة أو رطبة.

● لا تقصروا الجهاز من منبع التيار الكهربائي وذلك بشد سلك التغذية الكهربائية بل قوموا بسحب قابس التيار الكهربائي (الذكر) من منبع الكهرباء.

● لا تفتحوا حوض مساحيق الغسيل خلال عمل الجهاز .

● لا تلمسوا الماء الذي يفرغ من الغسالة النشافة لأنه قد يصل الى درجات حرارة عالية.

● لا تشدوا بقوة بأي حال من الأحوال باب الغسالة النشافة وهو ما زال مقفل، لأنه من الممكن اتلاف جهاز الأمن الذي يمنع فتح باب الغسالة النشافة بشكل عفوي خلال عمل الجهاز.

● في حال حدوث خلل في الجهاز لا تحاول الوصول الى الأجهزة الداخلية لمحاولة تصليح الجهاز.

● تأكدوا دائماً من عدم تقرب الأطفال من الجهاز خلال عمله.

● خلال عملية الغسيل باب الغسالة النشافة قد ترتفع درجة حرارته ويصبح ساخناً.

● إذا أردتم تحريك أو نقل الجهاز من مكانه استعن بشخص أو بشخصين وخذوا فائق الحذر لأن الجهاز ثقيل ولا تحاول القيام بهذا لوحدهم.

● قبل ادخال الملابس داخل حوض غسيل الغسالة النشافة تأكد من حوض الغسيل فارغ.

● خلال عملية التجفيف يكون باب الغسالة النشافة ساخناً

● لا تقوموا بعملية تشييف ملابس تم غسلها بمواد قابلة للاشتعال (مثل الكحول)

● لا تقوموا بتشييف الاسفنج أو ملابس مصنوعة من مواد بلاستيكية أو ما يشابهها.

● تأكدوا من أن محبس الماء يكون مفتوح خلال عملية التجفيف

● هذه الغسالة النشافة يمكن استخدامها فقط لتشييف ملابس تم غسلها بما

## افصلوا الماء والطاقة الكهربائية

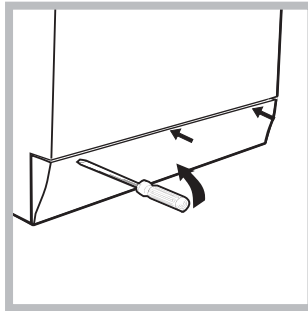
## تنظيف مضخة تفريغ الماء من الغسالة النشافة

الغسالة النشافة مزودة بمضخة تفريغ الماء من الغسالة النشافة قادرة على تنظيف نفسها بنفسها وليست بحاجة الى أية عملية تنظيف أو صيانة، ولكن من الممكن أن يحدث أن أشياء صغيرة مثل (قطع معدنية أو أزرار) قد تقع داخل الحجرة الأمامية للمضخة هذه الحجرة تحفظ المضخة من التلف وتكون موجودة في المنطة السفلية منها.

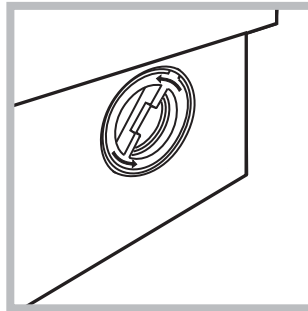
! تأكد من انتهاء برنامج الغسيل وافصل الجهاز من منبع التيار الكهربائي.

للوصول الى الحجرة الأمامية من المضخة:

1. اخلع الغطاء الذي يغطي الجهاز من الأمام وذلك باستخدام مفك (انظر الى الشكل)



2. فك الغطاء وذلك بتدويره بعكس اتجاه دوران عقارب الساعة (انظر الشكل) من الطبيعي خروج قليلا من الماء عند فتح الغطاء.



3. نظفوا داخل الحجرة جيداً

4. ركب الغطاء من جديد

5. ركب الغطاء الخارجي للجهاز وتأكد قبل ضغطه باتجاه الجهاز من دخول الألسنة في الفتحة الخاصة بهم.

## افحص خرطوم تغذية الجهاز بالماء

افحص الخرطوم الذي يغذي الجهاز بالماء مرة في السنة على الأقل، اذا كان ظاهرا عليه شقوق او أماكن تالفة يجب القيام بعملية تبديله، خلال عملية الغسيل ضغط الماء العالي من الممكن أن يسطح هذا الخرطوم.

! لا تستخدموا أبداً خرطوم مستعملة .

● أغلقوا محبس الماء بعد كل عملية غسل، بهذا الشكل يتم التقليل من استهلاك الشبكة الهيدرووليكي لغسالة النشافة الملابس ويتم ازالة خطر تسرب الماء من الخرطوم.

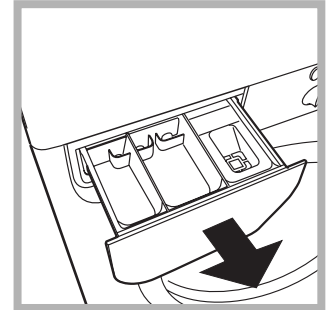
● افصل قابس التيار الكهربائي (الذكر) من منبع التيار الكهربائي عند القيام بعملية تنظيف الجهاز وخلال عمليات الصيانة لغسالة النشافة الملابس.

## تنظيف غسالة نشافة الملابس

المنطقة الخارجية والمناطق المصنوعة من الكوشك يمكن تنظيفها بواسطة قطعة قماش مبلولة بماء فاتر وصابون، لا تستخدموا مواد محللة أو خادشة.

## تنظيف حوض مساحيق الغسيل

اخرج الجارور من مكانه وذلك برفعه قليلا الى الأعلى وبشده الى الخارج (انظر الشكل).  
اغسله تحت مجرى ماء، هذه عملية التنظيف يجب عملها باستمرار



## الحفاظ على باب الغسالة النشافة و حوض غسيل الغسالة النشافة

● اترك دائما باب الغسالة النشافة نصف مفتوح وذلك لتجنب تكون روائح كريهة داخل حوض غسيل الغسالة النشافة.

من الممكن أن غسالة الملابس لا تشتغل، قبل الاتصال بقسم الصيانة الفنية (انظر صفحة 28) تأكد من أنها ليست مشكلة سهلة الحل، لنستعين بهذه اللائحة.

### الأسباب الممكنة/حلول

### شذوذ في عمل الجهاز

- قابس التيار الكهربائي (الذكر) ليس موضوع في منبع التيار الكهربائي، أو ليس مدخل بالكمية الكافية حتى يتم التوصيل.
- في البيت لا يوجد تيار كهربائي
- باب الغسالة النشافة غير مغلق بشكل كامل
- الزر (L) ليس مضغوط
- الزر START/RESET غير مضغوط
- محبس الماء غير مفتوح
- موضوع برنامج تأخير لدورة الغسيل ( Delay Timer انظر صفحة 23)
- دورة الغسيل لا تبدأ
- خراطوم تغذية الجهاز بالماء غير مربوط بمحسب الماء
- خراطوم الماء مطوي
- محبس الماء غير مفتوح
- في البيت لا يوجد ماء
- ضغط شبكة الماء غير كافي
- الزر START/RESET غير مضغوط
- الغسالة النشافة لا تأخذ ماء
- خراطوم تفرغ الغسالة النشافة من الماء غير موضوع على ارتفاع ما بين 65 و 100 سنتيمتر عن سطح الأرض (انظر صفحة 17)
- حرف خراطوم اخراج الماء من الغسالة النشافة مغمور في الماء (انظر صفحة 17)
- مصرف الماء الموجود في الحائط لا يوجد له منفس لهواء
- اذا بعد كل هذه الفحوصات المشكلة لم تحل، اغلق محبس الماء، اطفئ الجهاز، واستدعي قسم الصيانة الفنية، اذا كانت الشقة موجودة في اخر طوابق البناء من الممكن حدوث ظاهرة شظط للماء الموجود داخل الغسالة النشافة عن طريق المصرف الموجود في الحائط، ولهذا الغسالة النشافة تأخذ الماء والمصرف يفرغه منها، لحل هذه المشكلة موجود في الأسواق صمامات ضد شظط المصرف.
- البرنامج لا يقوم بعملية تفرغ الماء، في بعض البرامج يجب تشغيل التفرغ وعملية العصر يدويا. (انظر الى صفحة 22)
- موضع الوظيفة الإضافية الكي القليل: لتكملة البرنامج اضغط على الزر START/RESET (انظر صفحة 23)
- خراطوم تفرغ الماء من الغسالة النشافة مطوي (انظر صفحة 17)
- ماسورة مصرف الماء مسدودة.
- الغسالة النشافة لا تفرغ الماء ولا تقوم بعملية العصر الدورانية
- حوض الغسيل لم يتم تحريره عند عملية تركيب الجهاز (انظر الى صفحة رقم 16)
- غسالة النشافة الملابس ليست موضوعة في مكان مستوي (انظر الى صفحة رقم 16)
- الغسالة النشافة محشورة بين الأثاث والحائط (انظر الى صفحة رقم 16)
- خراطوم تغذية الغسالة النشافة بالماء ليس مشدود بالشكل الكافي (انظر الى صفحة رقم 16)
- حوض مساحيق الغسيل مسدود من بقايا مساحيق الغسيل (للقيام بعملية تنظيفه انظر صفحة 26)
- خراطوم تفرغ الماء من الغسالة النشافة ليس مثبت جيدا (انظر الى صفحة رقم 17)
- الغسالة النشافة تفقد ماء
- استدعوا قسم الصيانة الفنية لأنه يشير الى وجود عطب في الجهاز
- مصباح التشغيل/باب مقلل يضيء وينطفئ بسرعة بشكل متردد مع على الأقل مصباح اخر
- مسحوق الغسيل غير خاص لغسيل بغسالة كهربائية (يجب أن يكون مكتوب عليه خاص بغسالة كهربائية أو على اليد وفي غسالة أو اي شي يشير الى امكانية استخدامه للغسالة)
- الكمية المستخدمة كبيرة
- يتكون كمية كبيرة من الرغوة
- قابس التيار الكهربائي (الذكر) ليس موضوع في منبع التيار الكهربائي، أو ليس مدخل بالكمية الكافية حتى يتم التوصيل.
- في البيت لا يوجد تيار كهربائي
- باب الغسالة النشافة غير مغلق بشكل كامل
- موضوع برنامج تأخير لدورة الغسيل ( Delay Timer انظر صفحة 23)
- مقبض التثيف موضوع في الوضع 0
- الغسالة النشافة لا تنشف

### قبل استدعاء الصيانة الفنية:

- تأكد من الخراب أو العطب يمكن حل هذه المشكلة لوحدهم (انظر صفحة رقم 27)
  - أعد تشغيل الغسالة لتأكد من العطب تم حله والغسالة اشتهلت بالشكل الصحيح.
  - في حالة العكس، استدعوا قسم الصيانة الفنية المخولة من قبل الشركة الصانعة .
- ! لا تستعينوا أبداً بفنيين غير مخولين من قبل الشركة الصانعة بالقيام بعملية الصيانة.

### أعطوا المعلومات التالية:

- نوع الخراب
  - مديل الجهاز (Mod)
  - رقم التسلسلي للجهاز (S/N)
- هذه المعلومات تكون موجودة على لوحة المواصفات الفنية الملصقة على المنطقة الخلفية من غسالة النشافة الملابس.











## Free Manuals Download Website

<http://myh66.com>

<http://usermanuals.us>

<http://www.somanuals.com>

<http://www.4manuals.cc>

<http://www.manual-lib.com>

<http://www.404manual.com>

<http://www.luxmanual.com>

<http://aubethermostatmanual.com>

Golf course search by state

<http://golfingnear.com>

Email search by domain

<http://emailbydomain.com>

Auto manuals search

<http://auto.somanuals.com>

TV manuals search

<http://tv.somanuals.com>