

# Instructions for use

WASHER-DRYER

**GB**

English,1

**ES**

Espanol,13

**IT**

Italiano,25

**FR**

Français,37

**DE**

Deutsch,49

**PT**

Português,61

**WIDXL 106**

## Contents

### Installation, 2-3

Unpacking and levelling  
Electric and water connections  
The first wash cycle  
Technical details

### Washer-dryer description, 4-5

Control panel  
Leds

### Starting and Programmes, 6

Briefly: how to start a programme  
Programme table

### Personalisations, 7

Setting the temperature  
Setting the drying cycle  
Functions

### Detergents and laundry, 8

Detergent dispenser  
Preparing your laundry  
Special items

### Precautions and advice, 9

General safety  
Disposal  
Saving energy and respecting the environment

### Care and maintenance, 10

Cutting off the water or electricity supply  
Cleaning your appliance  
Cleaning the detergent dispenser  
Caring for your appliance door and drum  
Cleaning the pump  
Checking the water inlet hose

### Troubleshooting, 11

### Service, 12

Before calling for Assistance

GB

 **INDESIT**

# Installation

GB

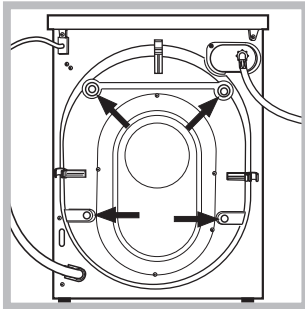
! Keep this instruction manual in a safe place for future reference. Should the appliance be sold, transferred or moved, make sure the instruction manual accompanies the Washer-dryer to inform the new owner as to its operation and features.

! Read these instructions carefully: they contain vital information on installation, use and safety.

## Unpacking and levelling

### Unpacking

1. Unpack the Washer-dryer.
2. Check whether the Washer-dryer has been damaged during transport. If this is the case, do not install it and contact your retailer.



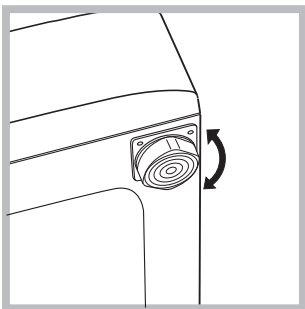
3. Remove the four protective screws and the rubber washer with the respective spacer, situated on the rear of the appliance (see figure).

4. Seal the gaps using the plastic plugs provided.
5. Keep all the parts: you will need them again if the Washer-dryer needs to be moved to another location.

! Packaging materials are not children's toys.

### Levelling

1. Install the Washer-dryer on a flat sturdy floor, without resting it up against walls, furniture cabinets or other.

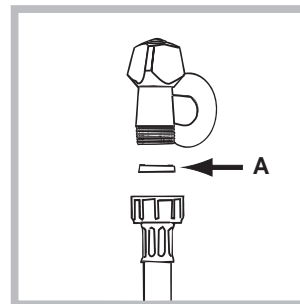


2. If the floor is not perfectly level, compensate for any unevenness by tightening or loosening the adjustable front feet (see figure); the angle of inclination, measured according to the worktop, must not exceed 2°.

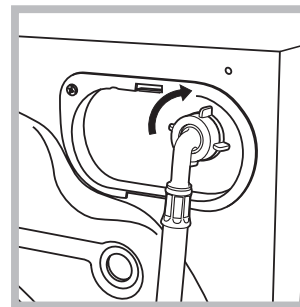
Levelling your appliance correctly will provide it with stability and avoid any vibrations, noise and shifting during operation. If it is placed on a fitted or loose carpet, adjust the feet in such a way as to allow enough room for ventilation beneath the Washer-dryer.

## Electric and water connections

### Connecting the water inlet hose



1. Insert seal A into the end of the inlet hose and screw the latter onto a cold water tap with a 3/4 gas threaded mouth (see figure). Before making the connection, allow the water to run freely until it is perfectly clear.



2. Connect the other end of the water inlet hose to the Washer-dryer, screwing it onto the appliance's cold water inlet, situated on the top right-hand side on the rear of the appliance (see figure).

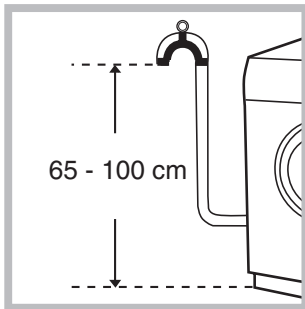
3. Make sure there are no kinks or bends in the hose.

! The water pressure at the tap must be within the values indicated in the Technical details table (on the next page).

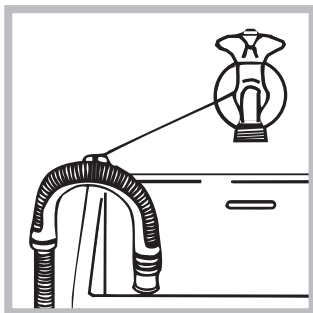
! If the water inlet hose is not long enough, contact a specialist store or an authorised serviceman.

! Never use hoses that have already been used.

### Connecting the drain hose



Connect the drain hose, without bending it, to a draining duct or a wall drain situated between 65 and 100 cm from the floor;



alternatively, place it over the edge of a basin, sink or tub, fastening the duct supplied to the tap (see figure). The free end of the hose should not be underwater.

! We advise against the use of hose extensions; in case of absolute need, the extension must have the same diameter as the original hose and must not exceed 150 cm in length.

### Electric connection

Before plugging the appliance into the mains socket, make sure that:

- the socket is earthed and in compliance with the applicable law;
- the socket is able to sustain the appliance's maximum power load indicated in the Technical details table (*on the right*);
- the supply voltage is included within the values indicated on the Technical details table (*on the right*);
- the socket is compatible with the washing machine's plug. If this is not the case, replace the socket or the plug.

! The washing machine should not be installed in an outdoor environment, not even when the area is sheltered, because it may be very dangerous to leave it exposed to rain and thunderstorms.

! When the washing machine is installed, the mains socket must be within easy reach.

! Do not use extensions or multiple sockets.

! The power supply cable must never be bent or dangerously compressed.

! The power supply cable must only be replaced by an authorised serviceman.

Warning! The company denies all liability if and when these norms are not respected.

### The first wash cycle

Once the appliance has been installed, and before you use it for the first time, run a wash cycle with detergent and no laundry, setting the 90°C programme without a pre-wash cycle.

### Technical details

<b>Model</b>	WIDXL 106
<b>Dimensions</b>	59.5 cm wide 85 cm high 53.5 cm deep
<b>Capacity</b>	from 1 to 6 kg for the wash programme; from 1 to 5 kg for the drying programme
<b>Electric connections</b>	please refer to the technical data plate fixed to the machine
<b>Water connections</b>	maximum pressure 1 MPa (10 bar) minimum pressure 0.05 MPa (0.5 bar) drum capacity 52 litres
<b>Spin speed</b>	up to 1000 rpm
<b>Control programmes according to EN 50229 directive</b>	<b>Wash:</b> programme 2; temperature 60°C; run with a load of 6 kg. <b>Drying:</b> first drying cycle performed with a 1 kg load, by selecting a drying time of 60 min; Second drying cycle performed with a 5 kg load and the DRYING knob on the setting.



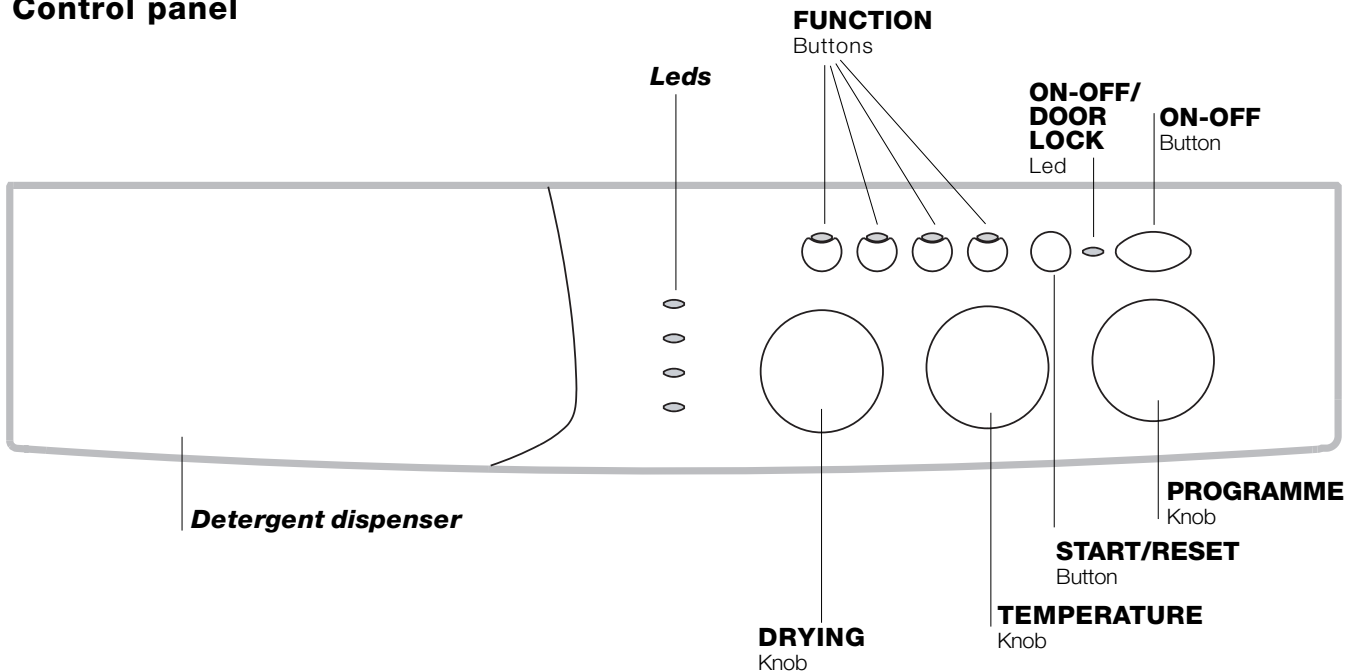
This appliance is compliant with the following European Community Directives:

- 89/336/CEE of 03/05/89 (Electromagnetic Compatibility) and subsequent amendments
- 2002/96/CE
- 2006/95/CE (Low Voltage)

# Washer-dryer description

GB

## Control panel



**Detergent dispenser:** to add detergent and fabric softener (see page 8).

**LEDS:** to find out which wash cycle phase is under way.

If the Delay Timer function has been set, the time left until the programme starts will be indicated (see page 5).

**DRYING** knob: to set the desired drying cycle (see page 7).

**FUNCTION** buttons: to select the functions available. The button corresponding to the function selected will remain on.

**TEMPERATURE** knob: to set the temperature or the cold wash cycle (see page 7).

**START/RESET** button: to start the programmes or cancel any incorrect settings.

**ON-OFF/DOOR LOCK** Led: to find out whether the Washer-dryer is on and if the appliance door can be opened (see page 5).

**ON/OFF** button: to turn the Washer-dryer on and off.

**PROGRAMME** knob: to select the wash programmes. The knob stays still during the cycle.

**Note:** to avoid excessive vibrations, before every spin cycle the machine distributes the load in a uniform manner by continuously rotating the drum at a speed which is slightly faster than the normal washing speed. When, despite repeated attempts, the load is still not evenly distributed, the machine spins at a lower speed than the set frequency.

If the load is excessively unbalanced, the machine attempts to distribute it instead of spinning.

The balancing attempts may extend the total duration of the cycle, up to a maximum of 10 minutes.

## Leds

The LEDS provide important information. This is what they can tell you:

### Delay set:

If the Delay Timer function has been enabled (see *page. 7*), once you have started the programme, the LED corresponding to the delay set will begin to flash:



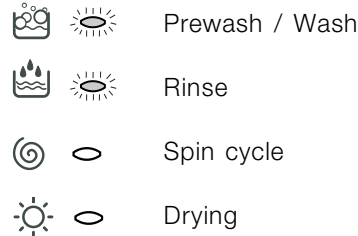
As time passes, the remaining delay will be displayed, and the corresponding LED will flash:



Once the set delay is complete, the flashing LED will turn off and the programme set will start.


### Cycle phase under way:

During the wash cycle, the LEDs gradually illuminate on to indicate the cycle phase under way:



Note:

- during draining, the LED corresponding to the Spin cycle phase will be turned on.

- when the drying cycle is complete, the indicator light relative to phase  will flash, to indicate that the DRYING knob needs to be set back to the 0 setting.

### Function buttons

The FUNCTION BUTTONS also act like LEDS. When a function is selected, the corresponding button is illuminated.

If the function selected is incompatible with the programme set, the button will flash and the function will not be enabled.

If you set a function that is incompatible with another function you selected previously, only the last one selected will be enabled.

### ON-OFF/DOOR LOCK led:

If this LED is on, the appliance door is locked to prevent it from being opened accidentally; to avoid any damages, wait for the LED to flash before you open the appliance door.

! The rapid flashing of the ON-OFF/DOOR LOCK Led together with the flashing of at least one other LED indicates there is an abnormality (see *page 11*).

# Starting and Programmes

GB

## Briefly: starting a programme

1. Switch the Washer-dryer on by pressing button (I). All the LEDs will light up for a few seconds and the ON-OFF/DOOR LOCK Led will begin to flash.
2. Load your laundry into the washing machine and shut the appliance door.
3. Set the PROGRAMME knob to the programme required.
4. Set the wash temperature (see page 7).
5. Set the drying cycle if necessary (see page 7).

6. Add the detergent and any fabric softener (see page 8).
7. Start the programme by pressing the START/RESET button.

To cancel it, keep the START/RESET button pressed for at least 2 seconds.

8. When the programme is finished, the ON-OFF/DOOR LOCK Led will flash to indicate that the appliance door can be opened. Take out your laundry and leave the appliance door ajar to allow the drum to dry thoroughly. Turn the Washer-dryer off by pressing button (I).

## Programme table

Type of fabric and degree of soil	Prog.	Temp.	Drying Cycle	Detergent		Fabric softener	Cycle length (minutes)	Description of wash cycle
				pre-wash	wash			
<b>Standard</b>								
Extremely soiled whites (sheets, tablecloths, etc.)	1	90°C	•	•	•	•	155	Pre-wash, wash cycle, rinse cycles, intermediate and final spin cycles
Extremely soiled whites (sheets, tablecloths, etc.)	2	90°C	•		•	•	150	Wash cycle, rinse cycles, intermediate and final spin cycles
Heavily soiled whites and fast colours	2	60°C	•		•	•	140	Wash cycle, rinse cycles, intermediate and final spin cycles
Heavily soiled whites and delicate colours	2	40°C	•		•	•	125	Wash cycle, rinse cycles, intermediate and final spin cycles
Slightly soiled whites and delicate colours (shirts, jumpers, etc.)	3	40°C	•		•	•	85	Wash cycle, rinse cycles, intermediate and final spin cycles
Heavily soiled fast colours (baby linen, etc.)	4	60°C	•		•	•	83	Wash cycle, rinse cycles, anti-crease or delicate spin cycle
Heavily soiled fast colours (baby linen, etc.)	4	40°C	•		•	•	70	Wash cycle, rinse cycles, anti-crease or delicate spin cycle
Wool	5	40°C			•	•	50	Wash cycle, rinse cycles, delicate spin cycle
Very delicate fabrics (curtains, silk, viscose, etc.)	6	30°C			•	•	45	Wash cycle, rinse cycles, anti-crease or draining cycle
Drying cotton	7		•					
Drying delicates	8		•					
<b>Time 4 you</b>								
Heavily soiled whites and fast colours	9	60°C			•	•	60	Wash cycle, rinse cycles, intermediate and final spin cycles
Delicate colours (all types of slightly soiled garments)	10	40°C			•	•	40	Wash cycle, rinse cycles, delicate spin cycle
Delicate colours (all types of slightly soiled garments)	11	30°C	•		•	•	30	Wash cycle, rinse cycles and delicate spin cycle
<b>Sport</b>								
Sports shoes (MAX. 2 pairs)	12	30°C			•	•	50	Cold wash (without detergents), wash cycle, rinse cycles, and delicate spin cycle
Fabrics for sportswear (Tracksuits, shorts, etc.)	13	30°C			•	•	60	Wash cycle, rinse cycles, intermediate and final spin cycles
<b>PARTIAL PROGRAMMES</b>								
Rinse			•			•		Rinse cycles and spin cycle
Spin cycle			•					Draining and spin cycle
Drain								Drain

## Notes

- For programme 9, we advise against exceeding a wash load of 3.5 kg.
- For programme 13 we advise against exceeding a wash load of 2 kg.
- For the anti-crease function: see Easy iron, *opposite page*. The information contained in the table is purely indicative.

## Special programme

*Daily* (programme 11 for Synthetics) is designed to wash lightly soiled garments in a short amount of time: it only lasts 30 minutes and allows you to save on both time and energy. By setting this programme (11 at 30°C), you can wash different fabrics together (except for woollen and silk items), with a maximum load of 3 kg. We recommend the use of liquid detergent.

## Setting the temperature

Turn the TEMPERATURE knob to set the wash temperature (see Programme table on page 6). The temperature can be lowered, or even set to a cold wash (❄).

## Set the drying cycle

Turn the DRYING knob to set the desired drying type.

Two options are available:

**A** - Based on time: From 40 minutes to 180.

**B** - Based on the damp level of the dry clothes:

**Iron** : slightly damp clothes, easy to iron.

**Hanger** : dry clothes to put away.

**Cupboard** : very dry clothes, recommended for towelling and bathrobes.

A cooling stage is foreseen at the end of the drying cycle.

If your laundry load to wash and dry is exceptionally in excess of the maximum load foreseen (see table opposite), perform the wash cycle, and when the programme is complete, divide up the garments and put part of them back in the drum. Now follow the instructions provided for a **dry only** cycle. Repeat this procedure for the remainder of the load.

### Dry only

Turn the PROGRAMME knob to one of the drying settings (7-8) depending on the type of fabric, then select the desired drying type using the DRYING knob.

**Important:** - A spin cycle is carried out during the drying if you have set a cotton programme and a level of dryness (Cupboard , Hanger , Iron ).

- For cotton loads of less than 1 Kg, use the drying programme designed for delicate fabrics.

## Functions

To enable a function:

1. press the button corresponding to the desired function, according to the table below;
2. the function is enabled when the corresponding button is illuminated.

Note: The rapid flashing of the button indicates that the corresponding function cannot be selected for the programme set.

Function	Effect	Comments	Enabled with programmes:
<b>Delay Timer</b>	Delays the start of the wash by up to 9 hours.	Press the button repeatedly until the LED corresponding to the desired delay is turned on. The fifth time the button is pressed, the function will be disabled. N.B.: Once you have pressed the Start/Reset button, the delay can only be decreased if you wish to modify it.	All
<b>Easy iron</b>	This option reduces the amount of creasing on fabrics, making them easier to iron.	When this function is set, programmes 4, 6 will end with the laundry left to soak (Anti-crease) and the Rinse cycle phase LED  will flash. - to conclude the cycle, press the START/RESET button; - to run the draining cycle alone, set the knob to the relative symbol  and press the START/RESET button. This function is incompatible with the STAIN REMOVAL function. <i>If you also want to run the drying cycle, this button is enabled only if combined with level  (Iron).</i>	3, 4, 6, 9, 10, Rinse cycle.
<b>Extra Rinse</b>	Increases the efficiency of the rinse.	Recommended when the appliance has a full load or with large quantities of detergent.	1, 2, 3, 4, 9, 10, 12, 13, Rinse cycle.
<b>1000-500</b>	Reduces the spin speed.		All programmes except for 6, 7, 8 and draining.

Table of drying times

The data contained in the table are purely indicative.

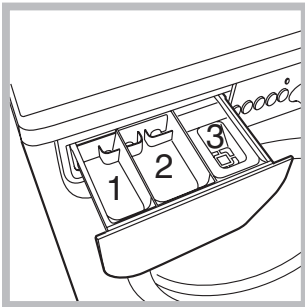
Fabric type	Load type	Max. load (kg)	Cup-board	Hanger	Iron
Cotton, Linen	Clothing of different sizes	5	180	170	140
Cotton	Terry towels	5	180	170	140
Terital, Cotton	Sheets, Shirts	2,5	140	120	100
Acrylics	Pyjamas, socks, etc.	1	70	65	60
Nylon	Slips, tights, stockings, etc.	1	70	65	60

# Detergents and laundry

GB

## Detergent dispenser

Good washing results also depend on the correct dose of detergent: adding too much detergent won't necessarily make for a more efficient wash, and may in fact cause build up on the interior of your appliance and even pollute the environment.



Open up the detergent dispenser and pour in the detergent and fabric softener, as follows.

**compartment 1: Detergent for pre-wash (powder)**

**compartment 2: Detergent for the wash cycle (powder or liquid)**

Liquid detergent should only be poured in immediately prior to the wash cycle start.

**compartment 3: Additives (fabric softeners, etc.)**

The fabric softener should not overflow from the grid.

**!** Do not use hand wash detergent because it may form too much foam.

## Preparing your laundry

- Divide your laundry according to:
  - the type of fabric/the symbol on the label.
  - the colours: separate coloured garments from whites.
- Empty all pockets and check for loose buttons.
- Do not exceed the weight limits stated below, which refer to the weight when dry:
  - Sturdy fabrics: max 6 kg
  - Synthetic fabrics: max 2.5 kg
  - Delicate fabrics: max 2 kg
  - Wool: max 1,5 kg

### How much does your laundry weigh?

- 1 sheet 400-500 g
- 1 pillow case 150-200 g
- 1 tablecloth 400-500 g
- 1 bathrobe 900-1,200 g
- 1 towel 150-250 g

## Special items

**Curtains:** fold curtains and place them in a pillow case or mesh bag. Wash them separately without exceeding half the appliance load. Use programme 6 which excludes the spin cycle automatically.

**Quilted coats and windbreakers:** if they are padded with goose or duck down, they can be machine-washed. Turn the garments inside out and load a maximum of 2-3 kg, repeating the rinse cycle once or twice and using the delicate spin cycle.

**Wool:** for best results, use a specific detergent, taking care not to exceed a load of 1,5 kg.



! The Washer-dryer was designed and built in compliance with the applicable international safety regulations. The following information is provided for your safety and should consequently be read carefully.

## General safety

- This appliance has been designed for non-professional, household use and its functions must not be changed.
- This washing machine should only be used by adults and in accordance with the instructions provided in this manual.
- Never touch the washing machine when barefoot or with wet or damp hands or feet.
- Do not pull on the power supply cable to unplug the appliance from the electricity socket. Pull the plug out yourself.
- Do not open the detergent dispenser while the appliance is in operation.
- Do not touch the drain water as it could reach very high temperatures.
- Never force the washing machine door: this could damage the safety lock mechanism designed to prevent any accidental openings.
- In the event of a malfunction, do not under any circumstances touch internal parts in order to attempt repairs.
- Always keep children well away from the appliance while in operation.
- The appliance door tends to get quite hot during the wash cycle.
- Should it have to be moved, proceed with the help of two or three people and handle it with the utmost care. Never try to do this alone, because the appliance is very heavy.
- Before loading your laundry into the washing machine, make sure the drum is empty.
- During the drying phase, the door tends to get quite hot.
- Do not use the appliance to dry clothes that have been washed with flammable solvents (e.g. trichlorethylene).
- Do not use the appliance to dry foam rubber or similar elastomers.
- Make sure that the water tap is turned on during the drying cycles.
- This washer-dryer can only be used to dry clothes which have been pre-washed in water.

## Disposal

- Disposing of the packaging material: observe local regulations, so the packaging can be re-used.
- The European Directive 2002/96/EC on Waste Electrical and Electronic Equipment, requires that

old household electrical appliances must not be disposed of in the normal unsorted municipal waste stream. Old appliances must be collected separately in order to optimise the recovery and recycling of the materials they contain and reduce the impact on human health and the environment. The crossed out "wheeled bin" symbol on the product reminds you of your obligation, that when you dispose of the appliance it must be separately collected.

Consumers should contact their local authority or retailer for information concerning the correct disposal of their old appliance.

## Saving energy and respecting the environment

### Environmentally-friendly technology

If you only see a little water through your appliance door, this is because thanks to the latest Indesit technology, your washing machine only needs less than half the amount of water to get the best results: an objective reached to respect the environment.

### Saving on detergent, water, energy and time

- To avoid wasting resources, the Washer-dryer should be used with a full load. A full load instead of two half loads allows you to save up to 50% on energy.
- The pre-wash cycle is only necessary on extremely soiled garments. Avoiding it will save on detergent, time, water and between 5 and 15% energy.
- Treating stains with a stain remover or leaving them to soak before washing will cut down the need to wash them at high temperatures. A programme at 60°C instead of 90°C or one at 40°C instead of 60°C will save up to 50% on energy.
- Use the correct quantity of detergent depending on the water hardness, how soiled the garments are and the amount of laundry you have, to avoid wastage and to protect the environment: despite being biodegradable, detergents do contain ingredients that alter the natural balance of the environment. In addition, avoid using fabric softener as much as possible.
- If you use your washing machine from late in the afternoon until the early hours of the morning, you will help reduce the electricity board's peak load. The Delay Timer option (see page 7) helps to organise your wash cycles accordingly.
- If your laundry has to be dried in a tumble dryer, select a high spin speed. Having the least water possible in your laundry will save you time and energy in the drying process.

# Care and maintenance

GB

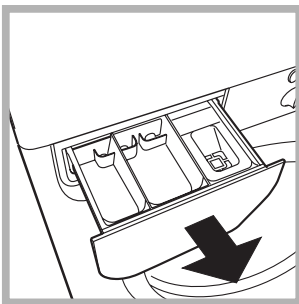
## Cutting off the water or electricity supply

- Turn off the water tap after every wash. This will limit the wear of your appliance's water system and also prevent leaks.
- Unplug your appliance when cleaning it and during all maintenance operations.

## Cleaning your appliance

The exterior and rubber parts of your appliance can be cleaned with a soft cloth soaked in lukewarm soapy water. Do not use solvents or abrasives.

## Cleaning the detergent dispenser



Remove the dispenser by raising it and pulling it out (see figure). Wash it under running water; this operation should be repeated frequently.

## Caring for your appliance door and drum

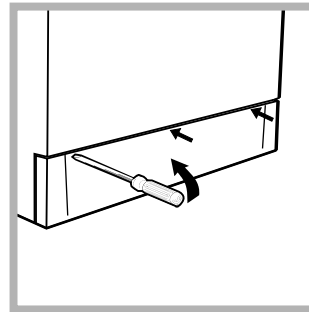
- Always leave the appliance door ajar to prevent unpleasant odours from forming.

## Cleaning the pump

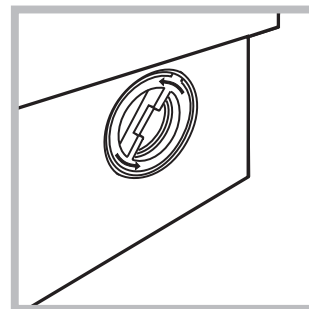
The Washer-dryer is fitted with a self-cleaning pump that does not require any maintenance. Sometimes, small items (such as coins or buttons) may fall into the pre-chamber that protects the pump, situated in the lower part of the same.

**!** Make sure the wash cycle has ended and unplug the appliance.

To access the pre-chamber:



1. using a screwdriver, remove the cover panel on the lower front of the Washer-dryer (see figure);



2. unscrew the lid rotating it anti-clockwise (see figure): a little water may trickle out. This is perfectly normal;

3. clean the interior thoroughly;
4. screw the lid back on;
5. reposition the panel, making sure the hooks are securely in place before you push it onto the appliance.

## Checking the water inlet hose

Check the water inlet hose at least once a year. If you see any cracks, replace it immediately: during the wash cycles, water pressure is very strong and a cracked hose could easily split open.

**!** Never use hoses that have already been used.

Your Washer-dryer could fail to work. Before calling for Assistance (see page 12), make sure the problem can't easily be solved by consulting the following list.


## Problem

## Possible causes/Solution:

### The washer-dryer won't start.

- The appliance is not plugged into the socket, or not enough to make contact.
- There has been a power failure.

### The wash cycle won't start.

- The appliance door is not shut properly.
- The  button has not been pressed.
- The START/RESET button has not been pressed.
- The water tap is not turned on.
- A delayed start has been set (using the Delay Timer, see page 7).

### The washer-dryer fails to load water.

- The water inlet hose is not connected to the tap.
- The hose is bent.
- The water tap is not turned on.
- There is a water shortage.
- The water pressure is insufficient.
- The START/RESET button has not been pressed.

### The washer-dryer continuously loads and unloads water.

- The drain hose is not fitted between 65 and 100 cm from the floor (see page 3).
- The free end of the hose is underwater (see page 3).
- The wall drainage system doesn't have a breather pipe.

If the problem persists even after these checks, turn off the water tap, switch the appliance off and call for Assistance. If the dwelling is on one of the upper floors of a building, there may be drain trap problems causing the Washer-dryer to load and unload water continuously. In order to avoid such an inconvenience, special anti-drain trap valves are available in shops.

### The washer-dryer does not drain or spin.

- The programme does not foresee the draining: some programmes require enabling the draining manually (see page 6).
- The Easy iron option is enabled: to complete the programme, press the START/RESET button (see page 7).
- The drain hose is bent (see page 3).
- The drain duct is clogged.

### The washer-dryer vibrates too much during the spin cycle.

- The drum was not unblocked correctly during installation (see page 2).
- The Washer-dryer is not level (see page 2).
- The Washer-dryer is closed in between furniture cabinets and the wall (see page 2).

### The washer-dryer leaks.

- The water inlet hose is not screwed on correctly (see page 2).
- The detergent dispenser is obstructed (to clean it, see page 10).
- The drain hose is not secured properly (see page 3).

### The ON-OFF/DOOR LOCK Led flashes rapidly at the same time as at least one other LED.

- Switch off the machine and unplug the appliance; wait for approximately 1 minute then switch it on again. If the problem persists, contact Assistance.

### There is too much foam.

- The detergent is not suitable for machine washing (it should bear the definition "for washing machines" or "hand and machine wash", or the like).
- You used too much detergent.

### The washer-dryer does not dry.

- The appliance is not plugged into the socket, or not enough to make contact.
- There has been a power failure.
- The appliance door is not shut properly.
- A delayed start has been set (using the Delay Timer, see page 7).
- the DRYING knob is on the **0** setting.

# Service

---

GB

## **Before calling for Assistance:**

- Check whether you can solve the problem on your own (*see page 11*);
- Restart the programme to check whether the problem has been solved;
- If this is not the case, contact an authorised Technical Service Centre on the telephone number provided on the guarantee certificate.

! Always request the assistance of authorised servicemen.

## **Notify the operator of:**

- the type of problem;
- the appliance model (Mod.);
- the serial number (S/N).

This information can be found on the data plate situated on the rear of the washer-dryer.

# Instrucciones para el uso

LAVASECADORA

ES

ES

Espanol

WIDXL 106

## Sumario

### Instalación, 14-15

Desembalaje y nivelación  
Conexiones hidráulicas y eléctricas  
Primer ciclo de lavado  
Datos técnicos

### Descripción de la lavasecadora, 16-17

Panel de control  
Luces testigo

### Puesta en marcha y Programas, 18

En la práctica: poner en marcha un programa  
Tabla de programas

### Personalizaciones, 19

Seleccione la temperatura  
Seleccione el secado  
Funciones

### Detergentes y ropa, 20

Cajón de detergentes  
Preparar la ropa  
Prendas especiales

### Precauciones y consejos, 21

Seguridad general  
Eliminaciones  
Ahorrar y respetar el ambiente

### Mantenimiento y cuidados, 22

Excluir el agua y la corriente eléctrica  
Limpiar la lavasecadora  
Limpiar el contenedor de detergentes  
Cuidar la puerta y el cesto  
Limpiar la bomba  
Controlar el tubo de alimentación de agua

### Anomalías y soluciones, 23

### Asistencia, 24

Antes de llamar a la Asistencia Técnica

 **INDESIT**

# Instalación

ES

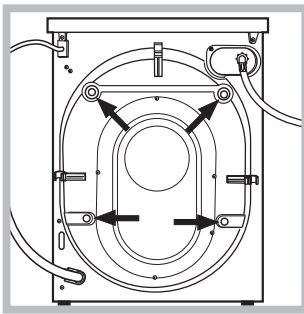
! Es importante conservar este manual para poder consultarlo en cualquier momento. En caso de venta, de cesión o de traslado, verifique que permanezca junto con la lavasecadora para informar al nuevo propietario sobre el funcionamiento y brindar las correspondientes advertencias.

! Lea atentamente las instrucciones: ellas contienen importante información sobre la instalación, el uso y la seguridad.

## Desembalaje y nivelación

### Desembalaje

1. Desembale la lavasecadora.
2. Controle que la lavasecadora no haya sufrido daños durante el transporte. Si estuviera dañada no la conecte y llame al revendedor.



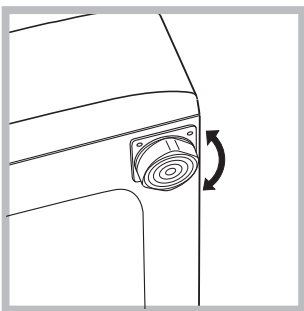
3. Quite los 4 tornillos de protección para el transporte y la arandela de goma con el correspondiente distanciador, ubicados en la parte posterior (ver la figura).

4. Cierre los orificios con los tapones de plástico suministrados con el aparato.
5. Conserve todas las piezas: cuando la lavasecadora deba ser transportada nuevamente, deberán volver a colocarse.

! Los embalajes no son juguetes para los niños.

### Nivelación

1. Instale la lavasecadora sobre un piso plano y rígido, sin apoyarla en las paredes, muebles ni en ningún otro aparato.

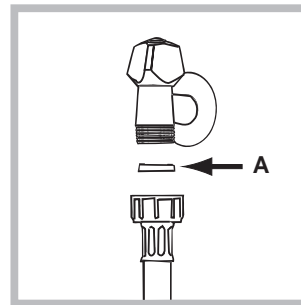


2. Si el piso no está perfectamente horizontal, compense las irregularidades desenroscando o enroscando los pies delanteros (véase la figura); el ángulo de inclinación medido sobre la superficie de trabajo, no debe superar los 2°.

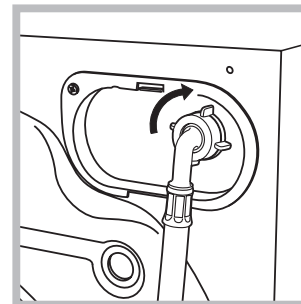
Una cuidadosa nivelación brinda estabilidad a la máquina y evita vibraciones, ruidos y desplazamientos durante el funcionamiento. Cuando se instala sobre moquetas o alfombras, regule los pies para conservar debajo de la lavasecadora un espacio suficiente para la ventilación.

## Conexiones hidráulicas y eléctricas

### Conexión del tubo de alimentación de agua



1. Introduzca la junta A en el extremo del tubo de alimentación y enrósquelo a un grifo de agua fría con boca roscada de 3/4 gas (véase la figura). Antes de conectarlo, haga correr el agua hasta que salga limpia.



2. Conecte el tubo de alimentación a la lavasecadora enroscándolo en la toma de agua correspondiente ubicada en la parte posterior arriba y a la derecha (véase la figura).

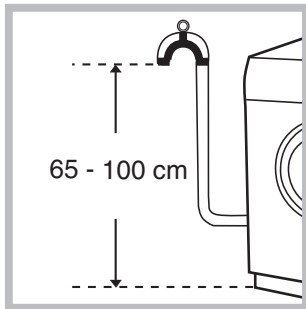
3. Verifique que el tubo no tenga pliegues ni estrangulaciones.

! La presión de agua del grifo debe estar comprendida dentro de los valores contenidos en la tabla de Datos técnicos (ver la página del costado).

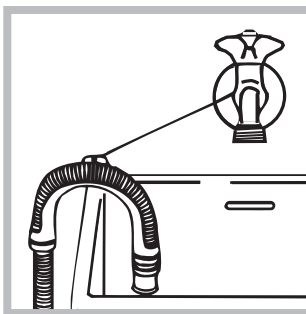
! Si la longitud del tubo de alimentación no fuera suficiente, diríjase a una tienda especializada o a un técnico autorizado.

! No utilice nunca tubos ya usados.

### Conexión del tubo de descarga



Conecte el tubo de descarga, sin plegarlo, a un desagüe de pared ubicado a una distancia del piso comprendida entre 65 y 100 cm;



o apóyelo al borde de un lavabo o de una bañera, uniendo la guía suministrada con el aparato, al grifo (véase la figura). El extremo libre del tubo de descarga no debe permanecer sumergido en el agua.

! No se aconseja utilizar tubos de prolongación, de todos modos, si es indispensable, la prolongación debe tener el mismo diámetro del tubo original y no superar los 150 cm.

### Conexión eléctrica

Antes de enchufar el aparato, verifique que:

- la toma tenga la conexión a tierra y haya sido hecha según las normas legales;
- la toma sea capaz de soportar la carga máxima de potencia de la máquina indicada en la tabla de Datos técnicos (ver al costado);
- la tensión de alimentación esté comprendida dentro de los valores indicados en la tabla de Datos técnicos (ver al costado);
- la toma sea compatible con el enchufe de la lavadora. Si no es así, sustituya la toma o el enchufe.

! La lavadora no debe ser instalada al aire libre, ni siquiera si el lugar está preparado, ya que es muy peligroso dejarla expuesta a la lluvia o a las tormentas.

! Una vez instalada la lavadora, la toma de corriente debe ser fácilmente accesible.

! No utilice alargadores ni conexiones múltiples.

! El cable no debe estar plegado ni sufrir compresiones.




! El cable de alimentación debe ser sustituido sólo por técnicos autorizados.

¡Atención! La empresa fabricante declina toda responsabilidad en caso de que estas normas no sean respetadas.

### Primer ciclo de lavado

Después de la instalación y antes del uso, realice un ciclo de lavado con detergente y sin ropa, seleccionando el programa a 90°C sin prelavado.

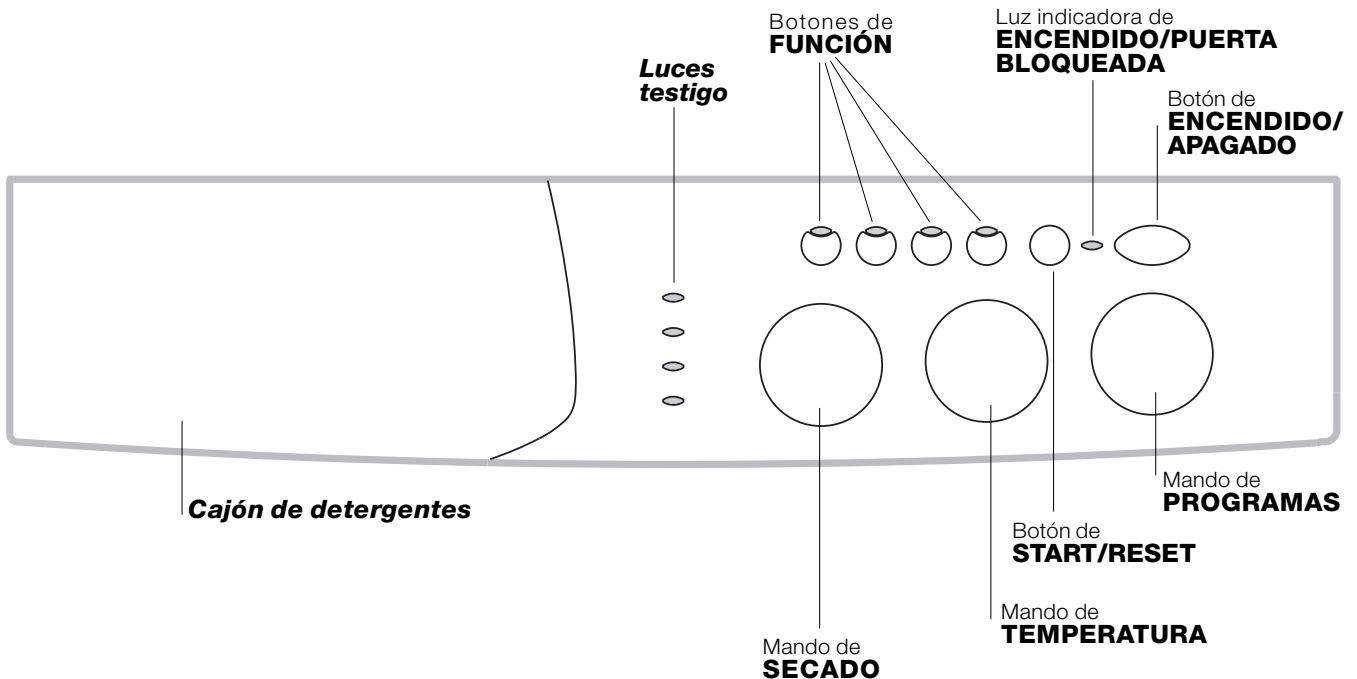
### Datos técnicos

<b>Modelo</b>	WIDLX 106
<b>Dimensiones</b>	ancho 59,5 cm. altura 85 cm. profundidad 53,5 cm.
<b>Capacidad</b>	de 1 a 6 kg para el lavado; de 1 a 5 kg para el secado.
<b>Conexiones eléctricas</b>	ver la placa de características técnicas aplicada en la máquina
<b>Conexiones hídricas</b>	presión máxima 1 MPa (10 bar) presión mínima 0,05 MPa (0,5 bar) capacidad del cesto 52 litros
<b>Velocidad de centrifugado</b>	máxima 1000 r.p.m.
<b>Programas de control según la norma EN 50229</b>	<b>lavado:</b> programa 2; temperatura 60°C; efectuado con 6 kg. de carga. <b>secado:</b> primer secado realizado con 1 kg de carga seleccionando un tiempo de 60 min; segundo secado realizado con 5 kg de carga y el mando de SECADO en la posición  .
 	Esta máquina cumple con lo establecido por las siguientes Directivas de la Comunidad: - 89/336/CEE del 03/05/89 (Compatibilidad Electromagnética) y sucesivas modificaciones - 2002/96/CE - 2006/95/CE (Baja Tensión)

# Descripción de la lavasecadora

ES

## Panel de control



**Cajón de detergentes:** para cargar detergentes y aditivos (véase la pág. 20).

**Luces testigo:** para seguir el estado de avance del programa de lavado. Si se seleccionó la función Delay Timer, indicarán el tiempo que falta para la puesta en marcha del programa (ver la pág. 17).

Mando de **SECADO:** para seleccionar el secado deseado (ver la pág. 19).

Botones de **FUNCIÓN:** para seleccionar las funciones disponibles. El botón correspondiente a la función seleccionada permanecerá encendido.

Mando de **TEMPERATURA:** para seleccionar la temperatura o el lavado en frío (ver la pág. 19).

Botón de **START/RESET:** para poner en marcha los programas o anular las selecciones incorrectas.

Luz indicadora de **ENCENDIDO/PUERTA BLOQUEADA:** para saber si la lavasecadora está encendida y si la puerta se puede abrir (ver la pág. 17).

Botón de **ENCENDIDO/APAGADO:** para encender y apagar la lavasecadora.

Mando de **PROGRAMAS:** para elegir los programas. Durante el programa el mando no se mueve.

**Notas:** Para evitar vibraciones excesivas, antes de cada centrifugado, la máquina distribuye la carga de modo uniforme, esto se produce efectuando rotaciones continuas del cesto a una velocidad ligeramente superior a la del lavado.

Aún cuando después de repetidos intentos, la carga no se distribuye perfectamente, la máquina realiza el centrifugado a una velocidad inferior a la prevista.

Cuando existe un excesivo desequilibrio, la máquina efectúa la distribución en lugar del centrifugado. Los intentos de equilibrado pueden aumentar la duración total del ciclo hasta un máximo de 10 minutos.



## Luces testigo

Las luces testigo suministran información importante. He aquí lo que nos dicen:

### Retraso seleccionado:

Si fue activada la función Delay Timer (*ver la pág. 19*), después de haber puesto en marcha el programa, comenzará a centellear la luz testigo correspondiente al retraso fijado:



Con el transcurrir del tiempo se visualizará el retraso residual y el centelleo de la luz testigo correspondiente:



Una vez transcurrido el tiempo de retraso fijado, la luz testigo centelleante se apagará y comenzará el programa seleccionado.


### Fase en curso:

Durante el ciclo de lavado, las luces testigo se encenderán progresivamente para indicar su estado de avance.



Nota:

- durante la fase de descarga se iluminará la luz testigo correspondiente a la fase de Centrifugado.

- al finalizar el ciclo de secado, la luz testigo correspondiente a la fase  centelleará para indicar que es necesario llevar el mando de SECADO a la posición **0**.

### Botones de FUNCIÓN

Los BOTONES DE FUNCIÓN también actúan como luces testigo.

Al seleccionar una función, el botón correspondiente se iluminará.

Si la función seleccionada no es compatible con el programa elegido, el botón centelleará y la función no se activará.

Cuando se seleccione una función incompatible con otra seleccionada precedentemente, permanecerá activa sólo la última selección realizada.

### Luz indicadora de ENCENDIDO/PUERTA BLOQUEADA


La luz testigo encendida indica que la puerta está bloqueada para impedir aperturas accidentales; para evitar daños es necesario esperar que la luz testigo centellee antes de abrir la puerta.

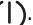
! El centelleo rápido de la luz indicadora de ENCENDIDO/PUERTA BLOQUEADA simultáneamente con, al menos, el de otra luz testigo, indica una anomalía (*ver la pág. 23*).

# Puesta en marcha y Programas




ES

## En la práctica: poner en marcha un programa

1. Encienda la lavasecadora pulsando el botón . Todas las luces testigo se encenderán durante algunos segundos, luego se apagarán y la luz indicadora de ENCENDIDO/PUERTA BLOQUEADA comenzará a centellear.
2. Cargue la ropa y cierre la puerta.
3. Seleccione el programa deseado con el mando de PROGRAMAS.

4. Fije la temperatura de lavado (*ver la pág. 19*).
5. Seleccione el secado si es necesario (*ver la pág. 19*).
6. Vierta el detergente y los aditivos (*véase la pág. 20*).
7. Ponga en marcha el programa pulsando el botón START/RESET.  
Para anular, mantenga presionado el botón START/RESET durante 2 segundos como mínimo.
8. Al finalizar el programa, la luz indicadora de ENCENDIDO/PUERTA BLOQUEADA centelleará indicando que la puerta se puede abrir. Extraiga la ropa y deje la puerta semicerrada para permitir que el cesto se seque. Apague la lavasecadora pulsando el botón .

## Tabla de programas

Tipos de tejidos y de suciedad	Programas	Tempe- ratura	Secado	Detergente		Suavi- zante	Duración del ciclo (minutos)	Descripción del ciclo de lavado
				prelav.	lavado			
<b>Estándar</b>								
<b>Algodón:</b> Blancos sumamente sucios (sábanas, manteles, etc.)	1	90°C	•	•	•	•	155	Prelavado, lavado, aclarados, centrifugas intermedias y final
<b>Algodón:</b> Blancos sumamente sucios (sábanas, manteles, etc.)	2	90°C	•		•	•	150	Lavado, aclarados, centrifugas intermedias y final
<b>Algodón:</b> Blancos y coloreados resistentes muy sucios	2	60°C	•		•	•	140	Lavado, aclarados, centrifugas intermedias y final
<b>Algodón:</b> Blancos y coloreados delicados muy sucios	2	40°C	•		•	•	125	Lavado, aclarados, centrifugas intermedias y final
<b>Algodón:</b> Blancos poco sucios y colores delicados (camisas, camisetas, etc.)	3	40°C	•		•	•	85	Lavado, aclarados, centrifugas intermedias y final
<b>Sintéticos:</b> Colores resistentes muy sucios (ropa para recién nacidos, etc.)	4	60°C	•		•	•	83	Lavado, aclarados, antiarrugas o centrifuga delicada
<b>Sintéticos:</b> Colores resistentes muy sucios (ropa para recién nacidos, etc.)	4	40°C	•		•	•	70	Lavado, aclarados, antiarrugas o centrifuga delicada
Lana	5	40°C			•	•	50	Lavado, aclarados y centrifugación delicada
Tejidos muy delicados (cortinas, seda, viscosa, etc.)	6	30°C			•	•	45	Lavado, aclarados, antiarrugas o desague
Secado para telas de algodón	7		•					
Secado para tejidos delicados	8		•					
<b>Time 4 you</b>								
<b>Algodón:</b> Blancos y coloreados resistentes muy sucios	9	60°C			•	•	60	Lavado, aclarados, centrifugas intermedias y final
<b>Sintéticos:</b> Colores delicados (ropa de todo tipo ligeramente sucia)	10	40°C			•	•	40	Lavado, aclarados y centrifuga delicada
<b>Sintéticos:</b> Colores delicados (ropa de todo tipo ligeramente sucia)	11	30°C	•		•	•	30	Lavado, aclarados y centrifuga delicada
<b>Sport</b>								
Calzado deportivo (MAX. 2 pares.)	12	30°C			•	•	50	Lavado en frío (sin detergente), lavado, aclarados y centrifugación delicada
Tejidos para ropa deportiva (chandal, pantalón corto, etc.)	13	30°C			•	•	60	Lavado, aclarados, centrifugas intermedias y final
<b>PROGRAMAS PARCIALES</b>								
Aclarado			•			•		Aclarados y centrifugación
Centrifugación			•					Desague y centrifugación
Desague								Desague

## Notas

- En el programa 9 es aconsejable no superar una carga de ropa de 3,5 kg.
- En el programa 13 se aconseja no superar una carga de ropa de 2 kg.
- Para la descripción del antiarrugas: consulte Plancha fácil, página siguiente. Los datos contenidos en la tabla tienen un valor indicativo.

## Programa especial

*Diario 30'* (programa 11 para Sintéticos) fue estudiado para lavar prendas ligeramente sucias y en poco tiempo: dura sólo 30 minutos y de esa manera hace ahorrar energía y tiempo. Seleccionando el programa (11 a 30°C) es posible lavar conjuntamente tejidos de distinto tipo (excluidas lana y seda), con una carga máxima de 3 kg. *Se aconseja el uso de detergente líquido.*

## Seleccione la temperatura

Girando el mando de la TEMPERATURA se selecciona la temperatura de lavado (ver la Tabla de programas en la pág. 18). La temperatura se puede disminuir hasta el lavado en frío (❄).

## Seleccione el secado

Girando el mando de SECADO se selecciona el tipo de secado deseado. Se han previsto dos posibilidades:

**A** - En base al tiempo: De 40 a 180 minutos.

**B** - En base al nivel de humedad de las prendas secadas:  
**Planchado** : prendas ligeramente húmedas, fáciles de planchar.

**Seque y cuelgue** : prendas secas, listas para guardar.

**Ropero** : prendas muy secas, aconsejado para toallas y batas.

Al finalizar el secado continúa un período de enfriamiento.

Si excepcionalmente la carga de ropa para lavar y secar es superior al máximo previsto (ver la tabla ubicada al costado), realice el lavado, y una vez finalizado el programa, divida la carga y vuelva a colocar una parte en el cesto. A partir de ese momento, siga las instrucciones para efectuar **sólo el secado**. Repita las mismas operaciones para la carga restante.

**Tabla de tiempos de secado**

Los datos contenidos en la tabla tienen un valor indicativo.

Tipo de tela	Tipo de carga	Carga máx. (kg)	Ropero	Seque y cuelgue	Planchado
Algodón, Lino	Ropa de distintas dimensiones	5	180	170	140
Algodón	Toallas	5	180	170	140
Terilene, Algodón	Sábanas, Camisas	2,5	140	120	100
Acrílicos	Pijamas, calcetines, etc.	1	70	65	60
Nylon	Combinaciones, medias, etc.	1	70	65	60

## Sólo secado

Gire el mando de PROGRAMAS hasta una de las posiciones de secado (7-8) de acuerdo al tipo de tejido, luego seleccione el tipo de secado deseado con el mando de SECADO.

**Importante:** - Durante el secado se efectuará un centrifugado si Ud. ha seleccionado uno de los programas de algodón y uno de los niveles de secado (Ropero , Seque y cuelgue , Planchado ).  
 - Para cargas de telas de algodón inferiores a 1 Kg, utilice el programa de secado correspondiente a los tejidos delicados.

## Funciones

Las distintas funciones de lavado previstas por la lavasecadora permiten obtener la limpieza y el blanco deseados. Para activar las funciones:

1. pulse el botón correspondiente a la función deseada de acuerdo con la tabla que se encuentra debajo;
2. el encendido del botón correspondiente indica que la función está activa.

Nota: El centelleo rápido del botón indica que la función correspondiente no se puede seleccionar para el programa elegido.

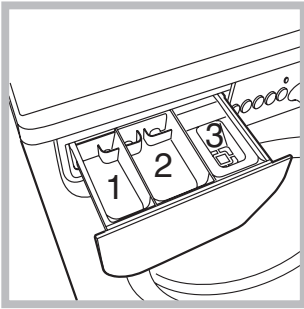
Funciones	Efecto	Notas para el uso	Activa con los programas:
Delay timer	Retrasa la puesta en marcha de la máquina hasta 9 horas.	Pulse varias veces el botón hasta encender la luz testigo correspondiente al retraso deseado. La quinta vez que se presione el botón, la función se desactivará. Nota: Una vez pulsado el botón Start/Reset, se puede modificar el valor del retraso sólo disminuyéndolo.	Todos
Plancha fácil	Reduce las arrugas en los tejidos, facilitando el planchado.	Seleccionando esta función, los programas 4, 6 se interrumpirán con la ropa en remojo (Antiarrugas) y la luz indicadora de la fase de Aclarado  centelleará: - para completar el ciclo pulse el botón START/RESET; - para efectuar sólo la descarga coloque la perilla en el símbolo correspondiente  y pulse el botón START/RESET.  Si desea realizar también el secado, este botón funciona sólo conjuntamente con el nivel  (Planchado).	3, 4, 6, 9, 10, Aclarado.
Aclarado Extra	Aumenta la eficacia del aclarado.	Es aconsejable con la lavadora a plena carga o con dosis elevadas de detergente.	1, 2, 3, 4, 9, 10, 12, 13 Aclarado.
1000-500	Disminuye la velocidad de centrifugado.		Todos excepto el 6, 7, 8 y la descarga.

# Detergentes y ropa

ES

## Cajón de detergentes

El buen resultado del lavado depende también de la correcta dosificación del detergente: si se excede la cantidad, no se lava de manera más eficaz, sino que se contribuye a encostrar las partes internas de la lavasecadora y a contaminar el ambiente.



Extraiga el cajón de detergentes e introduzca el detergente o el aditivo de la siguiente manera:

**cubeta 1: Detergente para prelavado (en polvo)**

**cubeta 2: Detergente para lavado (en polvo o líquido)**

El detergente líquido se debe verter sólo antes de la puesta en marcha.

**cubeta 3: Aditivos (suavizante, etc.)**

El suavizante no se debe volcar fuera de la rejilla.

**!** No use detergentes para el lavado a mano ya que producen demasiada espuma.

## Preparar la ropa

- Subdivida la ropa según:
  - el tipo de tejido / el símbolo en la etiqueta.
  - los colores: separe las prendas de color y las blancas.
- Vacíe los bolsillos y controle los botones.
- No supere los valores indicados, referidos al peso de la ropa seca:
  - Tejidos resistentes: max 6 kg.
  - Tejidos sintéticos: max 2,5 kg.
  - Tejidos delicados: max 2 kg.
  - Lana: max 1,5 kg.

### ¿Cuánto pesa la ropa?

- 1 sábana 400/500 g
- 1 funda 150/200 g
- 1 mantel 400/500 g
- 1 albornoz 900/1.200 g
- 1 toalla 150/250 g

## Prendas especiales

**Cortinas:** pliéguelas y colóquelas dentro de una funda o de una bolsa de red. Lávelas solas sin superar la media carga. Utilice el programa 6 que excluye automáticamente el centrifugado.

**Cazadoras acolchadas con plumas y**

**anoraks:** si el relleno es de pluma de ganso o de pato, se pueden lavar en la lavasecadora. Poner las prendas del revés y realizar una carga máxima de 2-3 kg. repitiendo el enjuague una o dos veces y utilizando el centrifugado delicado.

**Lana:** para obtener los mejores resultados, utilice un detergente específico y no supere 1,5 kg. de carga.

! La Lavasecadora fue proyectada y fabricada en conformidad con las normas internacionales de seguridad. Estas advertencias se suministran por razones de seguridad y deben ser leídas atentamente.

## Seguridad general

- Este aparato fue fabricado para uso doméstico.
- La Lavasecadora debe ser utilizada sólo por personas adultas y siguiendo las instrucciones contenidas en este manual.
- No toque la máquina con los pies desnudos ni con las manos o los pies mojados o húmedos.
- No desenchufe la máquina tirando del cable, sino tomando el enchufe.
- No abra el contenedor de detergentes mientras la máquina está en funcionamiento.
- No toque el agua de desagüe ya que puede alcanzar temperaturas elevadas.
- En ningún caso fuerce la puerta: podría dañarse el mecanismo de seguridad que la protege de aperturas accidentales.
- En caso de avería, no acceda nunca a los mecanismos internos para intentar una reparación.
- Controle siempre que los niños no se acerquen a la máquina cuando está en funcionamiento.
- Durante el lavado, la puerta tiende a calentarse.
- Si debe ser trasladada, deberán intervenir dos o más personas, procediendo con el máximo cuidado. La máquina no debe ser desplazada nunca por una persona sola ya que es muy pesada.
- Antes de introducir la ropa controle que el cesto esté vacío.
- Durante el secado la puerta tiende a calentarse.
- No seque ropa lavada con solventes inflamables (por ej. tricloroetileno).
- No seque gomaespuma o elastómeros análogos.
- Verifique que, durante las fases de secado, el grifo de agua esté abierto.
- Esta lavasecadora se puede utilizar solamente para secar ropa prelavada con agua.

## Eliminaciones

- Eliminación del material de embalaje: respete las normas locales, de ese modo, los embalajes podrán volver a ser utilizados.
- En base a la Norma europea 2002/96/CE de Residuos de aparatos Eléctricos y Electrónicos, los electrodomésticos viejos no pueden ser arrojados en los contenedores municipales habituales; tienen que ser recogidos selectivamente para optimizar la recuperación y reciclado de los

componentes y materiales que los constituyen, y reducir el impacto en la salud humana y el medioambiente. El símbolo del cubo de basura tachado se marca sobre todos los productos para recordar al consumidor la obligación de separarlos para la recogida selectiva.

El consumidor debe contactar con la autoridad local o con el vendedor para informarse en relación a la correcta eliminación de su electrodoméstico viejo.

## Ahorrar y respetar el medio ambiente

### Tecnología a servicio del medio ambiente

Si en la puerta se ve poca agua es porque con la nueva tecnología Indesit basta menos de la mitad del agua para alcanzar la mayor limpieza: un objetivo alcanzado para respetar el medio ambiente.

### Ahorrar detergente, agua, energía y tiempo

- Para no derrochar recursos es necesario utilizar la Lavasecadora con la máxima carga. Una carga completa en lugar de dos medias cargas permite ahorrar hasta el 50% de energía.
- El prelavado es necesario sólo para ropa muy sucia. Evitarlo permite ahorrar detergente, tiempo, agua y entre el 5 y el 15% de energía.
- Tratar las manchas con un quitamanchas o dejarlas en remojo antes del lavado, disminuye la necesidad de lavar a altas temperaturas. Un programa a 60°C en vez de 90°C o uno a 40°C en vez de 60°C, permite ahorrar hasta un 50% de energía.
- Dosificar bien el detergente en base a la dureza del agua, al grado de suciedad y a la cantidad de ropa evita derroches y protege el ambiente: aún siendo biodegradables, los detergentes contienen elementos que alteran el equilibrio de la naturaleza. Además, si es posible, evite utilizar el suavizante.
- Realizando los lavados desde el atardecer hasta las primeras horas de la mañana se colabora para reducir la carga de absorción de las empresas eléctricas.  
La opción Delay Timer (*ver la pág. 19*) ayuda mucho a organizar los lavados en ese sentido.
- Si el lavado debe ser secado en una secadora, seleccione una velocidad de centrifugado alta. Poca agua en el lavado, permite ahorrar tiempo y energía en el programa de secado.

# Mantenimiento y cuidados

ES

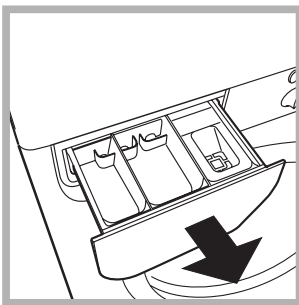
## Excluir agua y corriente eléctrica

- Cierre el grifo de agua después de cada lavado. De este modo se limita el desgaste de la instalación hidráulica de la lavasecadora y se elimina el peligro de pérdidas.
- Desenchufe la máquina cuando la deba limpiar y durante los trabajos de mantenimiento.

## Limpiar la lavasecadora

La parte externa y las partes de goma se pueden limpiar con un paño embebido en agua tibia y jabón. No use solventes ni productos abrasivos.

## Limpiar el cajón de los detergentes



Extraiga el contenedor tirando hacia fuera (ver la figura). Lávelo debajo del agua corriente, esta limpieza se debe realizar frecuentemente.

## Cuidar la puerta y el cesto

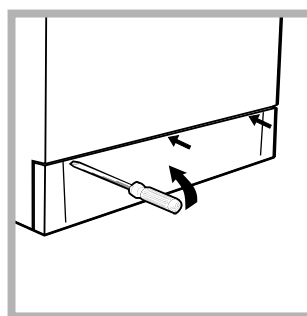
- Deje siempre semicerrada la puerta para evitar que se formen malos olores.

## Limpiar la bomba

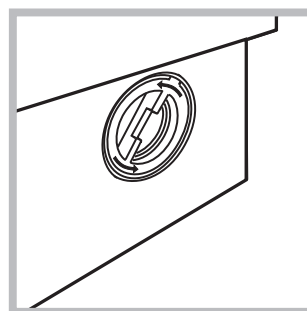
La lavasecadora posee una bomba autolimpiante que no necesita mantenimiento. Pero puede suceder que objetos pequeños (monedas, botones) caigan en la precámara que protege la bomba, situada en la parte inferior de la misma.

! Verifique que el ciclo de lavado haya terminado y desenchufe la máquina.

Para acceder a la precámara:



1. quite el panel de cobertura delantero de la lavasecadora con la ayuda de un destornillador (ver la figura);



2. desenrosque la tapa girándola en sentido antihorario (ver la figura); es normal que se vuelque un poco de agua;

3. limpie con cuidado el interior;
4. vuelva a enroscar la tapa;
5. vuelva a montar el panel verificando, antes de empujarlo hacia la máquina, que los ganchos se hayan introducido en las correspondientes ranuras.

## Controle el tubo de alimentación de agua

Controle el tubo de alimentación al menos una vez al año. Si presenta grietas o rozaduras se debe sustituir: durante los lavados, las fuertes presiones podrían provocar roturas imprevistas.

! No utilice nunca tubos ya usados.

Puede suceder que la Lavasecadora no funcione. Antes de llamar a la Asistencia Técnica (*ver la pág. 24*), controle que no se trate de un problema de fácil solución ayudándose con la siguiente lista.

## **Anomalías:**

**La Lavasecadora no se enciende.**

**El ciclo de lavado no comienza.**

**La Lavasecadora no carga agua.**

**La Lavasecadora carga y descarga agua continuamente.**

**La Lavasecadora no descarga o no centrifuga.**

**La Lavasecadora vibra mucho durante la centrifugación.**

**La Lavasecadora pierde agua.**


**La luz indicadora de ENCENDIDO/ PUERTA BLOQUEADA centellea de modo rápido simultáneamente con, al menos, otra luz testigo:**

**Se forma demasiada espuma.**

**La Lavasecadora no seca.**

## **Posibles causas / Solución:**

- El enchufe no está introducido en la toma de corriente, o no hace contacto.
- En la casa no hay corriente.

- La puerta no está bien cerrada.
- El botón  no fue pulsado.
- El botón START/RESET no fue pulsado.
- El grifo del agua no está abierto.
- Se fijó un retraso de la hora de puesta en funcionamiento (Delay Timer, *ver la pág. 19*).

- El tubo de alimentación de agua no está conectado al grifo.
- El tubo está plegado.
- El grifo de agua no está abierto.
- En la casa falta el agua.
- No hay suficiente presión.
- El botón START/RESET no fue pulsado.

- El tubo de desagüe no está instalado entre los 65 y 100 cm. del suelo (*ver la pág. 15*).
- El extremo del tubo de descarga está sumergido en el agua (*ver la pág. 15*).
- La descarga de pared no posee un respiradero.

Si después de estas verificaciones el problema no se resuelve, cierre el grifo de agua, apague la Lavasecadora y llame a la Asistencia. Si la vivienda se encuentra en uno de los últimos pisos de un edificio, es posible que se verifiquen fenómenos de sifonaje, por ello la Lavasecadora carga y descarga agua de modo continuo. Para eliminar este inconveniente se encuentran disponibles en el comercio válvulas especiales que permiten evitar el sifonaje.

- El programa no prevé la descarga: con algunos programas es necesario activarlo manualmente (*ver la pág. 18*).
- La opción Plancha fácil está activa: para completar el programa, pulse el botón START/RESET (*ver la pág. 19*).
- El tubo de descarga está plegado (*ver la pág. 15*).
- El conducto de descarga está obstruido.

- El cesto, en el momento de la instalación, no fue desbloqueado correctamente (*ver la pág. 14*).
- La Lavasecadora no está instalada en un lugar plano (*ver la pág. 14*).
- Existe muy poco espacio entre la Lavasecadora, los muebles y la pared (*ver la pág. 14*).

- El tubo de alimentación de agua no está bien enroscado (*ver la pág. 14*).
- El cajón de detergentes está obstruido (para limpiarlo *ver la pág. 22*).
- El tubo de descarga no está bien fijado (*ver la pág. 15*).

- Apague la máquina y desenchúfela, espere aproximadamente 1 minuto y luego vuelva a encenderla.  
Si la anomalía persiste, llame al Servicio de Asistencia Técnica.

- El detergente no es específico para la Lavasecadora (debe contener algunas de las frases "para Lavadora", "a mano o en Lavadora" o similares).
- La dosificación fue excesiva.

- El enchufe no está introducido en la toma de corriente, o no hace contacto.
- En la casa no hay corriente.
- La puerta no está bien cerrada.
- Se fijó un retraso de la hora de puesta en funcionamiento (Delay Timer, *ver la pág. 19*).

## **Antes de llamar a la Asistencia Técnica:**

- Verifique si la anomalía la puede resolver solo (*ver la pág. 23*);
- Vuelva a poner en marcha el programa para controlar si el inconveniente fue resuelto;
- Si no es así, llame a la Asistencia técnica autorizada, al número de teléfono indicado en el certificado de garantía.

! No recurra nunca a técnicos no autorizados.

## **Comunicar:**

- el tipo de anomalía;
- el modelo de la máquina (Mod.);
- el número de serie (S/N).

Estas informaciones se encuentran en la placa que está fijada en la parte posterior de la lavasecadora.

**La siguiente información es válida solo para España.**

**Para otros países de habla hispana consulte a su vendedor.**

### **Ampliación de garantía**

Llame al **902.363.539** y le informaremos sobre el fantástico plan de ampliación de garantía hasta 5 años. Consiga una cobertura total adicional de

- Piezas y componentes
- Mano de obra de los técnicos
- Desplazamiento a su domicilio de los técnicos

Y NO PAGUE AVERIAS NUNCA MAS

### **Servicio de asistencia técnica (SAT)**

Llame al **902.133.133** y nuestros técnicos intervendrán con rapidez y eficacia, devolviendo el electrodoméstico a sus condiciones óptimas de funcionamiento.

En el SAT encontrará recambios, accesorios y productos específicos para la limpieza y mantenimiento de su electrodoméstico a precios competitivos.

ESTAMOS A SU SERVICIO





Italiano

**WIDXL 106**

### Sommario

#### **Installazione, 26-27**

Disimballo e livellamento  
Collegamenti idraulici ed elettrici  
Primo ciclo di lavaggio  
Dati tecnici

#### **Descrizione della lavasciuga, 28-29**

Pannello di controllo  
Spie

#### **Avvio e Programmi, 30**

In breve: avviare un programma  
Tabella dei programmi

#### **Personalizzazioni, 31**

Impostare la temperatura  
Impostare l'asciugatura  
Funzioni

#### **Detersivi e biancheria, 32**

Cassetto dei detersivi  
Preparare la biancheria  
Capi particolari

#### **Precauzioni e consigli, 33**

Sicurezza generale  
Smaltimento  
Risparmiare e rispettare l'ambiente

#### **Manutenzione e cura, 34**

Escludere acqua e corrente elettrica  
Pulire la lavasciuga  
Pulire il cassetto dei detersivi  
Curare oblò e cestello  
Pulire la pompa  
Controllare il tubo di alimentazione dell'acqua

#### **Anomalie e rimedi, 35**

#### **Assistenza, 36**

# Installazione

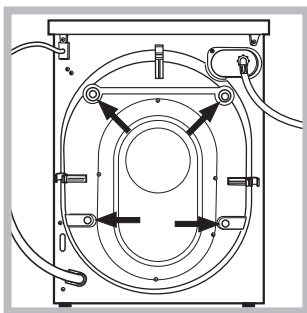
! È importante conservare questo libretto per poterlo consultare in ogni momento. In caso di vendita, di cessione o di trasloco, assicurarsi che resti insieme alla lavasciuga per informare il nuovo proprietario sul funzionamento e sui relativi avvertimenti.

! Leggere attentamente le istruzioni: ci sono importanti informazioni sull'installazione, sull'uso e sulla sicurezza.

## Disimballo e livellamento

### Disimballo

1. Disimballare la lavasciuga.
2. Controllare che la lavasciuga non abbia subito danni nel trasporto. Se fosse danneggiata non collegarla e contattare il rivenditore.



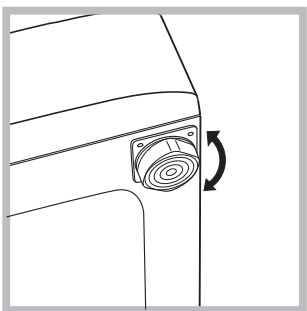
3. Rimuovere le 4 viti di protezione per il trasporto e il gommino con il relativo distanziale, posti nella parte posteriore (vedi figura).

4. Chiudere i fori con i tappi di plastica in dotazione.
5. Conservare tutti i pezzi: qualora la lavasciuga debba essere trasportata, dovranno essere rimontati.

! Gli imballaggi non sono giocattoli per bambini.

### Livellamento

1. Installare la lavasciuga su un pavimento piano e rigido, senza appoggiarla a muri, mobili o altro.

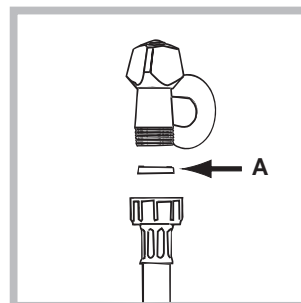


2. Se il pavimento non fosse perfettamente orizzontale, compensare le irregolarità svitando o avvitando i piedini anteriori (vedi figura); l'angolo di inclinazione, misurato sul piano di lavoro, non deve superare i 2°.

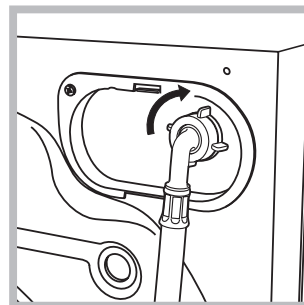
Un accurato livellamento dà stabilità alla macchina ed evita vibrazioni, rumori e spostamenti durante il funzionamento. In caso di moquette o di un tappeto, regolare i piedini in modo da conservare sotto la lavasciuga uno spazio sufficiente per la ventilazione.

## Collegamenti idraulici ed elettrici

### Collegamento del tubo di alimentazione dell'acqua



1. Inserire la guarnizione A nell'estremità del tubo di alimentazione e avvitarlo a un rubinetto d'acqua fredda con bocca filettata da 3/4 gas (vedi figura). Prima di allacciare, far scorrere l'acqua finché non sia limpida.



2. Collegare il tubo di alimentazione alla lavasciuga avvitandolo all'apposita presa d'acqua, nella parte posteriore in alto a destra (vedi figura).

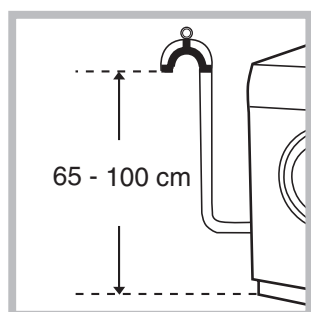
3. Fare attenzione che nel tubo non ci siano né pieghe né strozzature.

! La pressione idrica del rubinetto deve essere compresa nei valori della tabella Dati tecnici (vedi pagina a fianco).

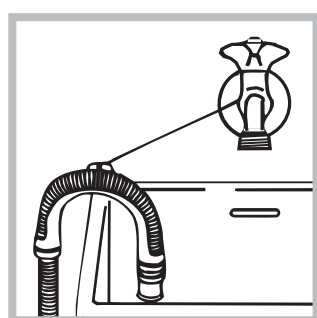
! Se la lunghezza del tubo di alimentazione non fosse sufficiente, rivolgersi a un negozio specializzato o a un tecnico autorizzato.

! Non utilizzare mai tubi già usati.

### Collegamento del tubo di scarico



Collegare il tubo di scarico, senza piegarlo, a una condotta di scarico o a uno scarico a muro posti tra 65 e 100 cm da terra;



oppure appoggiarlo al bordo di un lavandino o di una vasca, legando la guida in dotazione al rubinetto (vedi figura). L'estremità libera del tubo di scarico non deve rimanere immersa nell'acqua.

! È sconsigliato usare tubi di prolunga; se indispensabile, la prolunga deve avere lo stesso diametro del tubo originale e non superare i 150 cm.

### Collegamento elettrico

Prima di inserire la spina nella presa della corrente, accertarsi che:

- la presa abbia la messa a terra e sia a norma di legge;
- la presa sia in grado di sopportare il carico massimo di potenza della macchina, indicato nella tabella Dati tecnici (vedi a fianco);
- la tensione di alimentazione sia compresa nei valori indicati nella tabella Dati tecnici (vedi a fianco);
- la presa sia compatibile con la spina della lavabiancheria. In caso contrario sostituire la presa o la spina.

! La lavabiancheria non va installata all'aperto, nemmeno se lo spazio è riparato, perché è molto pericoloso lasciarla esposta a pioggia e temporali.

! A lavabiancheria installata, la presa della corrente deve essere facilmente raggiungibile.

! Non usare prolunghe e multiple.

! Il cavo non deve subire piegature o compressioni.

! Il cavo di alimentazione deve essere sostituito solo da tecnici autorizzati.

Attenzione! L'azienda declina ogni responsabilità qualora queste norme non vengano rispettate.

### Primo ciclo di lavaggio

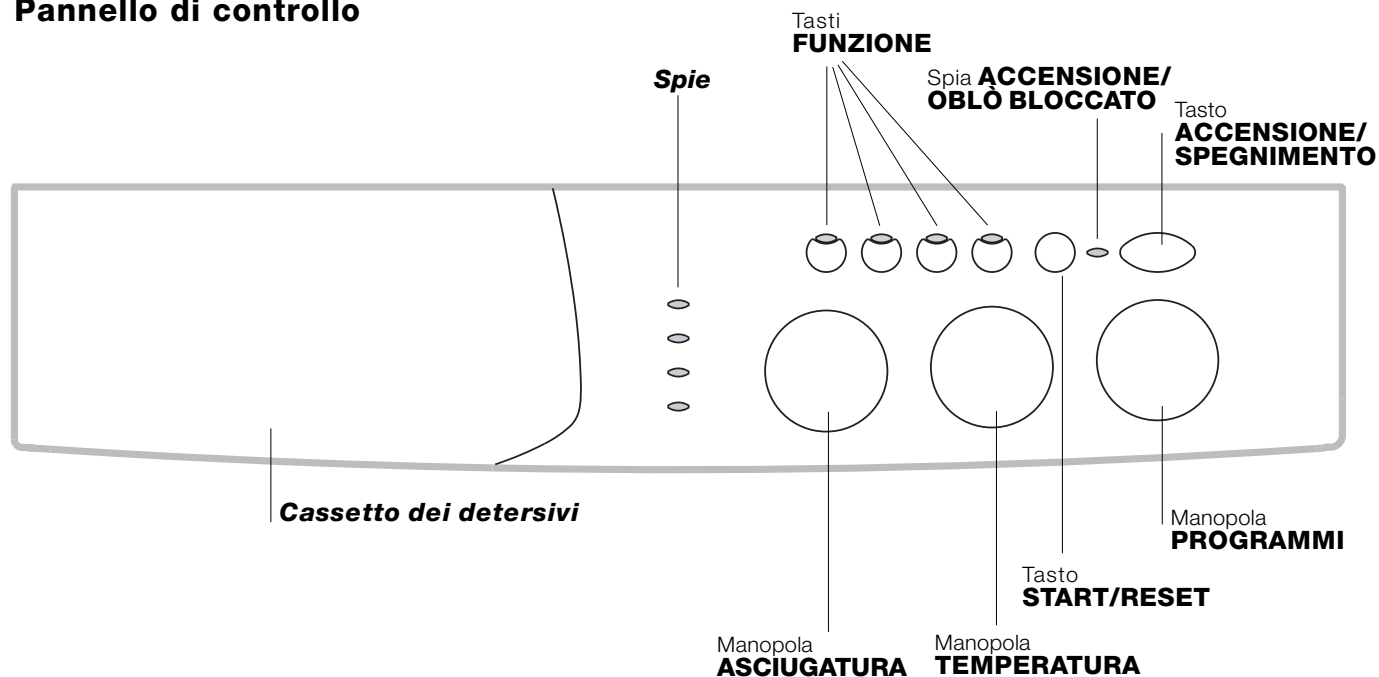
Dopo l'installazione, prima dell'uso, effettuare un ciclo di lavaggio con detersivo e senza biancheria impostando il programma a 90°C senza prelavaggio.

#### Dati tecnici

<b>Modello</b>	WIDLX 106
<b>Dimensioni</b>	larghezza cm 59,5 altezza cm 85 profondità cm 53,5
<b>Capacità</b>	da 1 a 6 kg per il lavaggio; da 1 a 5 kg per l'asciugatura
<b>Collegamenti elettrici</b>	vedi la targhetta caratteristiche tecniche applicata sulla macchina
<b>Collegamenti idrici</b>	pressione massima 1 MPa (10 bar) pressione minima 0,05 MPa (0,5 bar) capacità del cesto 52 litri
<b>Velocità di centrifuga</b>	sino a 1000 giri al minuto
<b>Programmi di controllo secondo la norma EN 50229</b>	<b>lavaggio:</b> programma 2; temperatura 60°C; effettuato con 6 kg di carico. <b>asciugatura:</b> prima asciugatura effettuata con 1 kg di carico selezionando un tempo di 60 min; seconda asciugatura effettuata con 5 kg di carico e la manopola ASCIUGATURA sulla posizione  .
	Questa apparecchiatura è conforme alle seguenti Direttive Comunitarie: - 89/336/CEE del 03/05/89 (Compatibilità Elettromagnetica) e successive modificazioni - 2002/96/CE - 2006/95/CE (Bassa Tensione)

# Descrizione della lavasciuga

## Pannello di controllo



**Cassetto dei detersivi** per caricare detersivi e additivi (vedi pag. 32).

**Spie** per seguire lo stato di avanzamento del programma di lavaggio. Se è stata impostata la funzione Delay Timer, indicheranno il tempo mancante all'avvio del programma (vedi pag. 29).

Manopola **ASCIUGATURA** per impostare l'asciugatura desiderata (vedi pag. 31).

Tasti **FUNZIONE** per selezionare le funzioni disponibili. Il tasto relativo alla funzione selezionata rimarrà acceso.

Manopola **TEMPERATURA** per impostare la temperatura o il lavaggio a freddo (vedi pag. 31).

Tasto **START/RESET** per avviare i programmi o annullare quanto erroneamente impostato.

Spia **ACCENSIONE/OBLÒ BLOCCATO** per capire se la lavasciuga è accesa e se l'oblò è apribile (vedi pag. 29).

Tasto **ACCENSIONE/SPEGNIMENTO** per accendere e spegnere la lavasciuga.

Manopola **PROGRAMMI** per impostare i programmi (vedi pag. 30).

Durante il programma la manopola resta ferma.

**Nota:** Per evitare vibrazioni eccessive prima di ogni centrifuga la macchina distribuisce il carico in modo uniforme, questo avviene effettuando delle rotazioni continue del cesto ad una velocità leggermente superiore a quella di lavaggio.

Quando nonostante ripetuti tentativi il carico non viene perfettamente distribuito, la macchina effettua la centrifuga ad una velocità inferiore a quella prevista.

In presenza di eccessivo sbilanciamento la macchina effettua la distribuzione al posto della centrifuga.

Gli eventuali tentativi di bilanciamento possono allungare la durata totale del ciclo fino ad un massimo di 10 minuti.

## Spie

Le spie forniscono informazioni importanti. Ecco che cosa dicono:

### Ritardo impostato:

Se è stata attivata la funzione Delay Timer (vedi pag. 31), dopo avere avviato il programma, inizierà a lampeggiare la spia relativa al ritardo selezionato:



Col trascorrere del tempo verrà visualizzato il ritardo residuo con il lampeggio della spia relativa:



Trascorso il ritardo selezionato la spia lampeggiante si spengnerà e avrà inizio il programma impostato.


### Fase in corso:

Durante il ciclo di lavaggio le spie si accenderanno progressivamente per indicarne lo stato di avanzamento:



Nota:

- durante la fase di scarico si illuminerà la spia relativa alla fase Centrifuga.

- al termine del ciclo di asciugatura, la spia relativa alla fase  lampeggerà, per indicare che bisogna riportare la manopola ASCIUGATURA sulla posizione 0.

### Tasti funzione

I TASTI FUNZIONE fungono anche da spie. Selezionando una funzione il relativo tasto si illuminerà. Se la funzione selezionata non è compatibile con il programma impostato il tasto lampeggerà e la funzione non verrà attivata. Nel caso venga impostata una funzione incompatibile con un'altra precedentemente selezionata rimarrà attiva solo l'ultima scelta.



### Spia ACCENSIONE/OBLÒ BLOCCATO

La spia accesa indica che l'oblò è bloccato per impedire aperture accidentali; per evitare danni è necessario attendere che la spia lampeggi prima di aprire l'oblò.




! Il lampeggio veloce della spia ACCENSIONE/OBLÒ BLOCCATO contemporaneo a quello di almeno un'altra spia segnala un'anomalia (vedi pag. 35).

# Avvio e Programmi

## In breve: avviare un programma

1. Accendere la lavasciuga premendo il tasto . Tutte le spie si accenderanno per qualche secondo, poi si spengono e la spia ACCENSIONE/OBLÒ BLOCCATO inizierà a lampeggiare.
2. Caricare la biancheria e chiudere l'oblò.
3. Impostare con la manopola PROGRAMMI il programma desiderato.
4. Impostare la temperatura di lavaggio (vedi pag. 31).
5. Impostare l'asciugatura se necessario (vedi pag. 31).
6. Versare detersivo e additivi (vedi pag. 32).
7. Avviare il programma premendo il tasto START/RESET. Per annullare il ciclo impostato premere il tasto START/RESET per 2 secondi.
8. Al termine del programma la spia ACCENSIONE/OBLÒ BLOCCATO lampeggerà indicando che l'oblò è apribile. Estrarre la biancheria e lasciare l'oblò socchiuso per far asciugare il cestello. Spegnere la lavasciuga premendo il tasto .

## Tabella dei programmi

Natura dei tessuti e dello sporco	Programmi	Temperatura	Asciugatura	Detersivo		Ammorbidente	Durata del ciclo (minuti)	Descrizione del ciclo di lavaggio
				prelav.	lavag.			
<b>Standard</b>								
<b>Cotone:</b> Bianchi estremamente sporchi (lenzuola, tovaglie, ecc.)	1	90°C	•	•	•	•	155	Prelavaggio, lavaggio, risciacqui, centrifughe intermedie e finale
<b>Cotone:</b> Bianchi estremamente sporchi (lenzuola, tovaglie, ecc.)	2	90°C	•		•	•	150	Lavaggio, risciacqui, centrifughe intermedie e finale
<b>Cotone:</b> Bianchi e colorati resistenti molto sporchi	2	60°C	•		•	•	140	Lavaggio, risciacqui, centrifughe intermedie e finale
<b>Cotone:</b> Bianchi e colorati delicati molto sporchi	2	40°C	•		•	•	125	Lavaggio, risciacqui, centrifughe intermedie e finale
<b>Cotone:</b> Bianchi poco sporchi e colori delicati (camice, maglie, ecc.)	3	40°C	•		•	•	85	Lavaggio, risciacqui, centrifughe intermedie e finale
<b>Sintetici:</b> Colori resistenti molto sporchi (biancheria per neonati, ecc.)	4	60°C	•		•	•	83	Lavaggio, risciacqui, anti piega o centrifuga delicata
<b>Sintetici:</b> Colori resistenti molto sporchi (biancheria per neonati, ecc.)	4	40°C	•		•	•	70	Lavaggio, risciacqui, anti piega o centrifuga delicata
Lana	5	40°C			•	•	50	Lavaggio, risciacqui e centrifuga delicata
Tessuti molto delicati (tende, seta, viscosa, ecc.)	6	30°C			•	•	45	Lavaggio, risciacqui, anti piega o scarico
Asciugatura tessuti di cotone	7		•					
Asciugatura tessuti delicati	8		•					
<b>Time 4 you</b>								
<b>Cotone:</b> Bianchi e colorati resistenti molto sporchi	9	60°C			•	•	60	Lavaggio, risciacqui, centrifughe intermedie e finale
<b>Sintetici:</b> Colori delicati (biancheria di tutti i tipi leggermente sporca)	10	40°C			•	•	40	Lavaggio, risciacqui, centrifuga delicata
<b>Sintetici:</b> Colori delicati (biancheria di tutti i tipi leggermente sporca)	11	30°C	•		•	•	30	Lavaggio, risciacqui, e centrifuga delicata
<b>Sport</b>								
Scarpe sportive (MAX. 2 paia)	12	30°C			•	•	50	Lavaggio a freddo (senza detersivo), lavaggio, risciacqui, e centrifuga delicata
Tessuti per abbigliamento sportivo (Tute, calzoncini, ecc.)	13	30°C			•	•	60	Lavaggio, risciacqui, centrifughe intermedie e finale
<b>PROGRAMMI PARZIALI</b>								
Risciacquo			•			•		Risciacqui e centrifuga
Centrifuga			•					Scarico e centrifuga
Scarico								Scarico

## Note

- Per il programma 9 è consigliabile non superare un carico di biancheria di 3,5 kg.
- Per il programma 13 è consigliabile non superare un carico di biancheria di 2 kg.
- Per la descrizione dell'anti piega: vedi Stira meno, pagina a fianco. I dati riportati nella tabella hanno valore indicativo.

## Programma speciale

**Giornaliero 30'** (programma 11 per Sintetici) è studiato per lavare capi leggermente sporchi in poco tempo: dura solo 30 minuti e fa così risparmiare energia e tempo. Impostando il programma (11 a 30°C) è possibile lavare insieme tessuti di diversa natura (esclusi lana e seta) con un carico massimo di 3 kg. *Si consiglia l'uso di detersivo liquido.*

## Impostare la temperatura

Ruotando la manopola TEMPERATURA si imposta la temperatura di lavaggio (vedi Tabella dei programmi a pag. 30). La temperatura si può ridurre sino al lavaggio a freddo (❄).

## Impostare l'asciugatura

Ruotando la manopola ASCIUGATURA si imposta il tipo di asciugatura desiderato. Sono previste due possibilità:

**A** - In base al tempo: Da 40 a 180 minuti.

**B** - In base al livello di umidità dei capi asciugati:

**Stiro** : capi leggermente umidi, facili da stirare.

**Asciuga e appendi** : capi asciutti da riporre.

**Armadio** : capi molto asciutti, consigliato per spugne e accappatoi.

Alla fine dell'asciugatura viene effettuato un periodo di raffreddamento.

Se eccezionalmente il carico di biancheria da lavare ed asciugare è superiore al massimo previsto (vedi tabella a fianco), effettuare il lavaggio, e a programma ultimato, dividere il carico e rimetterne una parte nel cestello. Seguire a questo punto le istruzioni per effettuare **solo l'asciugatura**. Ripeti le stesse operazioni per il carico rimanente.

### Solo asciugatura

Ruotare la manopola PROGRAMMI su una delle posizioni di asciugatura (7-8) in base al tipo di tessuto, quindi selezionare il tipo di asciugatura desiderato con la manopola ASCIUGATURA.

**Importante:** - Durante l'asciugatura viene effettuata una centrifuga se hai impostato uno dei **programmi cotone** e uno dei **livelli di asciugatura** (Armadio , Asciuga e appendi , Stiro ).

- Per carichi di cotone inferiori ad 1 Kg, utilizza il programma d'asciugatura relativo ai tessuti delicati.

### Funzioni

Le varie funzioni di lavaggio previste dalla lavasciuga permettono di ottenere la pulizia e il bianco desiderati. Per attivare le funzioni:

1. premere il tasto relativo alla funzione desiderata, secondo la tabella sottostante;
2. l'accensione del tasto relativo segnala che la funzione è attiva.

Nota: Il lampeggio veloce del tasto indica che la funzione relativa non è selezionabile per il programma impostato.

Funzioni	Effetto	Note per l'uso	Attiva con i programmi:
<b>Delay Timer</b>	Ritarda l'avvio della macchina sino a 9 ore.	Premere più volte il tasto fino a far accendere la spia relativa al ritardo desiderato. Alla quinta pressione del tasto la funzione si disattiverà. N.B.: Una volta premuto il tasto Start/Reset, si può modificare il valore del ritardo solo diminuendolo.	<b>Tutti</b>
<b>Stira meno</b>	Riduce le pieghe sui tessuti, agevolando la stiratura.	Impostando questa funzione, i programmi 4, 6 si interromperanno con il bucato in ammollo (Antipiega) e la spia della fase Risciacquo  lampeggerà: - per completare il ciclo premere il tasto START/RESET; - per effettuare solo lo scarico posizionare la manopola sul simbolo relativo  e premere il tasto START/RESET.  <b>Nota:</b> Se vuoi effettuare anche l'asciugatura, questa funzione è attiva solo se abbinata al livello  (Stiro).	<b>3, 4, 6, 9, 10, Risciacquo.</b>
<b>Extra Risciacquo</b>	Aumenta l'efficacia del risciacquo.	E' consigliata con lavabiancheria a pieno carico o con dosi elevate di detersivo.	<b>1, 2, 3, 4, 9, 10, 12, 13 Risciacquo.</b>
<b>1000-500</b>	Riduce la velocità di centrifuga.		<b>Tutti tranne 6, 7, 8 e Scarico.</b>

### Tabella tempi di asciugatura

I dati riportati nella tabella hanno valore indicativo.

Tipo di tessuto	Tipo di carico	Carico max (Kg)	Armadio	Asciuga e appendi	Stiro
Cotone, Lino	Biancheria di diverse dimensioni	5	180	170	140
Cotone	Asciugamani in spugna	5	180	170	140
Terital, Cotone	Lenzuola, Camice	2,5	140	120	100
Acrilici	Pigiama, calzini, ecc.	1	70	65	60
Nylon	Sottoveste, calze, ecc.	1	70	65	60

# Detersivi e biancheria

## Cassetto dei detersivi

Il buon risultato del lavaggio dipende anche dal corretto dosaggio del detersivo: eccedendo non si lava in modo più efficace e si contribuisce a incrostarne le parti interne della lavasciuga e a inquinare l'ambiente.



Estrarre il cassetto dei detersivi e inserire il detersivo o l'additivo come segue.

**vaschetta 1: Detersivo per prelavaggio (in polvere)**

**vaschetta 2: Detersivo per lavaggio (in polvere o liquido)**

Il detersivo liquido va versato solo prima dell'avvio.

**vaschetta 3: Additivi (ammorbidente, ecc.)**

L'ammorbidente non deve fuoriuscire dalla griglia.

**!** Non usare detersivi per il lavaggio a mano, perché formano troppa schiuma.

## Preparare la biancheria

- Suddividere la biancheria secondo:
  - il tipo di tessuto / il simbolo sull'etichetta.
  - i colori: separare i capi colorati da quelli bianchi.
- Vuotare le tasche e controllare i bottoni.
- Non superare i valori indicati, riferiti al peso della biancheria asciutta:
  - Tessuti resistenti: max 6 kg
  - Tessuti sintetici: max 2,5 kg
  - Tessuti delicati: max 2 kg
  - Lana: max 1,5 kg

### Quanto pesa la biancheria?

- 1 lenzuolo 400-500 gr.
- 1 federa 150-200 gr.
- 1 tovaglia 400-500 gr.
- 1 accappatoio 900-1.200 gr.
- 1 asciugamano 150-250 gr.

## Capi particolari

**Tende:** piegarle e sistemarle dentro una federa o un sacchetto a rete. Lavarle da sole senza superare il mezzo carico. Utilizzare il programma 6 che esclude in automatico la centrifuga.

**Piumini e giacche a vento:** se l'imbottitura è d'oca o d'anatra si possono lavare nella lavasciuga. Rivoltare i capi e fare un carico massimo di 2-3 kg, ripetendo il risciacquo una o due volte e utilizzando la centrifuga delicata.

**Lana:** per ottenere i migliori risultati utilizzare un detersivo specifico e non superare 1,5 kg di carico.



! La lavasciuga è stata progettata e costruita in conformità alle norme internazionali di sicurezza. Queste avvertenze sono fornite per ragioni di sicurezza e devono essere lette attentamente.

## Sicurezza generale

- Questo apparecchio è stato concepito esclusivamente per un uso di tipo domestico.
- La lavabiancheria deve essere usata solo da persone adulte e secondo le istruzioni riportate in questo libretto.
- Non toccare la macchina a piedi nudi o con le mani o i piedi bagnati o umidi.
- Non staccare la spina dalla presa della corrente tirando il cavo, bensì afferrando la spina.
- Non aprire il cassetto dei detersivi mentre la macchina è in funzione.
- Non toccare l'acqua di scarico, che può raggiungere temperature elevate.
- Non forzare in nessun caso l'oblò: potrebbe danneggiarsi il meccanismo di sicurezza che protegge da aperture accidentali.
- In caso di guasto, in nessun caso accedere ai meccanismi interni per tentare una riparazione.
- Controllare sempre che i bambini non si avvicinino alla macchina in funzione.
- Durante il lavaggio l'oblò tende a scaldarsi.
- Se dev'essere spostata, lavorare in due o tre persone con la massima attenzione. Mai da soli perché la macchina è molto pesante.
- Prima di introdurre la biancheria controlla che il cestello sia vuoto.
- Durante l'asciugatura l'oblò tende a scaldarsi.
- Non asciugare biancheria lavata con solventi infiammabili (es. trielina).
- Non asciugare gommapiuma o elastomeri analoghi.
- Assicurati che durante le fasi di asciugatura il rubinetto dell'acqua sia aperto.
- Questa lavasciuga può essere impiegata soltanto per asciugare biancheria prelavata in acqua.

## Smaltimento

- Smaltimento del materiale di imballaggio: attenersi alle norme locali, così gli imballaggi potranno essere riutilizzati.
- La direttiva Europea 2002/96/CE sui rifiuti di apparecchiature elettriche ed elettroniche, prevede che gli elettrodomestici non debbano essere

smaltiti nel normale flusso dei rifiuti solidi urbani. Gli apparecchi dismessi devono essere raccolti separatamente per ottimizzare il tasso di recupero e riciclaggio dei materiali che li compongono ed impedire potenziali danni per la salute e l'ambiente. Il simbolo del cestino barrato è riportato su tutti i prodotti per ricordare gli obblighi di raccolta separata. Per ulteriori informazioni, sulla corretta dismissione degli elettrodomestici, i detentori potranno rivolgersi al servizio pubblico preposto o ai rivenditori.

## Risparmiare e rispettare l'ambiente

### Tecnologia a servizio dell'ambiente

Se nell'oblò si vede poca acqua è perché con la nuova tecnologia Indesit basta meno della metà dell'acqua per raggiungere il massimo pulito: uno scopo raggiunto per rispettare l'ambiente.

### Risparmiare detersivo, acqua, energia e tempo

- Per non sprecare risorse bisogna utilizzare la lavasciuga con il massimo carico. Un carico pieno al posto di due mezzi fa risparmiare fino al 50% di energia.
- Il prelavaggio è necessario solo per biancheria molto sporca. Evitarlo fa risparmiare detersivo, tempo, acqua e tra il 5 e il 15% di energia.
- Trattando le macchie con uno scioglimacchia o lasciandole in ammollo prima del lavaggio, si riduce la necessità di lavare ad alte temperature. Un programma a 60°C invece di 90°C o uno a 40°C invece di 60°C, fa risparmiare fino al 50% di energia.
- Dosare bene il detersivo in base alla durezza dell'acqua, al grado di sporco e alla quantità di biancheria evita sprechi e protegge l'ambiente: pur biodegradabili, i detersivi contengono elementi che alterano l'equilibrio della natura. Inoltre evitare il più possibile l'ammorbidente.
- Effettuando i lavaggi dal tardo pomeriggio fino alle prime ore del mattino si collabora a ridurre il carico di assorbimento delle aziende elettriche. La funzione Delay Timer (vedi pag. 31) aiuta molto a organizzare i lavaggi in tal senso.
- Se il bucato deve essere asciugato in un asciugatore, selezionare un'alta velocità di centrifuga. Poca acqua nel bucato fa risparmiare tempo ed energia nel programma di asciugatura.

# Manutenzione e cura

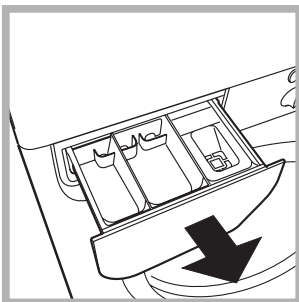
## Escludere acqua e corrente elettrica

- Chiudere il rubinetto dell'acqua dopo ogni lavaggio. Si limita così l'usura dell'impianto idraulico della lavasciuga e si elimina il pericolo di perdite.
- Staccare la spina della corrente quando si pulisce la lavasciuga e durante i lavori di manutenzione.

## Pulire la lavasciuga

La parte esterna e le parti in gomma possono essere puliti con un panno imbevuto di acqua tiepida e sapone. Non usare solventi o abrasivi.

## Pulire il cassetto dei detersivi



Sfilare il cassetto sollevandolo e tirandolo verso l'esterno (vedi figura). Lavarlo sotto l'acqua corrente; questa pulizia va effettuata frequentemente.

## Curare oblò e cestello

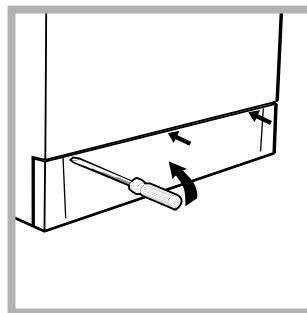
- Lasciare sempre socchiuso l'oblò per evitare che si formino cattivi odori.

## Pulire la pompa

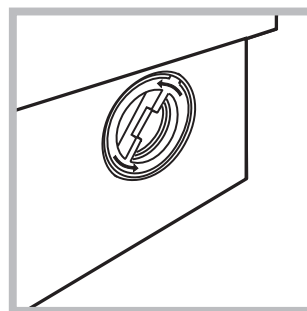
La lavasciuga è dotata di una pompa autopulente che non ha bisogno di manutenzione. Può però succedere che piccoli oggetti (monete, bottoni) cadano nella precamera che protegge la pompa, situata nella parte inferiore di essa.

! Assicurarsi che il ciclo di lavaggio sia terminato e staccare la spina.

Per accedere alla precamera:



1. rimuovere il pannello di copertura sul lato anteriore della lavasciuga con l'ausilio di un giravite (vedi figura);



2. svitare il coperchio ruotandolo in senso antiorario (vedi figura): è normale che fuoriesca un po' d'acqua;

3. pulire accuratamente l'interno;
4. riavvitare il coperchio;
5. rimontare il pannello assicurandosi, prima di spingerlo verso la macchina, di aver inserito i ganci nelle apposite asole.

## Controllare il tubo di alimentazione dell'acqua

Controllare il tubo di alimentazione almeno una volta all'anno. Se presenta screpolature e fessure va sostituito: durante i lavaggi le forti pressioni potrebbero provocare improvvise spaccature.

! Non utilizzare mai tubi già usati.

Può accadere che la lavasciuga non funzioni. Prima di telefonare all'Assistenza (*vedi pag. 36*), controllare che non si tratti di un problema facilmente risolvibile aiutandosi con il seguente elenco.

## Anomalie:

**La lavasciuga non si accende.**

**Il ciclo di lavaggio non inizia.**

**La lavasciuga non carica acqua.**

**La lavasciuga carica e scarica acqua di continuo.**

**La lavasciuga non scarica o non centrifuga.**

**La lavasciuga vibra molto durante la centrifuga.**

**La lavasciuga perde acqua.**

**La spia ACCENSIONE/OBLÒ BLOCCATO lampeggia in modo veloce contemporaneamente ad almeno un'altra spia.**

**Si forma troppa schiuma.**

**La lavasciuga non asciuga.**

## Possibili cause / Soluzione:

- La spina non è inserita nella presa della corrente, o non abbastanza da fare contatto.
  - In casa non c'è corrente.
  - L'oblò non è ben chiuso
  - Il tasto (ⓘ) non è stato premuto.
  - Il tasto START/RESET non è stato premuto.
  - Il rubinetto dell'acqua non è aperto.
  - Si è impostato un ritardo sull'ora di avvio (Delay Timer, *vedi pag. 31*).
  - Il tubo di alimentazione dell'acqua non è collegato al rubinetto.
  - Il tubo è piegato.
  - Il rubinetto dell'acqua non è aperto.
  - In casa manca l'acqua.
  - Non c'è sufficiente pressione.
  - Il tasto START/RESET non è stato premuto.
  - Il tubo di scarico non è installato fra 65 e 100 cm da terra (*vedi pag. 27*).
  - L'estremità del tubo di scarico è immersa nell'acqua (*vedi pag. 27*).
  - Lo scarico a muro non ha lo sfiato d'aria.
- Se dopo queste verifiche il problema non si risolve, chiudere il rubinetto dell'acqua, spegnere la lavasciuga e chiamare l'Assistenza. Se l'abitazione si trova agli ultimi piani di un edificio, è possibile che si verifichino fenomeni di sifonaggio, per cui la lavasciuga carica e scarica acqua di continuo. Per eliminare l'inconveniente sono disponibili in commercio apposite valvole anti-sifonaggio.
- Il programma non prevede lo scarico: con alcuni programmi occorre avviarlo manualmente (*vedi pag. 30*).
  - È attiva la funzione Stira meno: per completare il programma premere il tasto START/RESET (*vedi pag. 31*).
  - Il tubo di scarico è piegato (*vedi pag. 27*).
  - La conduttura di scarico è ostruita.
  - Il cestello, al momento dell'installazione, non è stato sbloccato correttamente (*vedi pag. 26*).
  - La lavasciuga non è in piano (*vedi pag. 26*).
  - La lavasciuga è stretta tra mobili e muro (*vedi pag. 26*).
  - Il tubo di alimentazione dell'acqua non è ben avvitato (*vedi pag. 26*).
  - Il cassetto dei detersivi è intasato (per pulirlo *vedi pag. 34*).
  - Il tubo di scarico non è fissato bene (*vedi pag. 27*).
  - Spegnere la macchina e togliere la spina dalla presa, attendere circa 1 minuto quindi riaccenderla.  
Se l'anomalia persiste, chiamare l'Assistenza.
  - Il detersivo non è specifico per lavabiancheria (deve esserci la dicitura "per lavatrice", "a mano e in lavatrice", o simili).
  - Il dosaggio è stato eccessivo.
  - La spina non è inserita nella presa della corrente, o non abbastanza da fare contatto.
  - In casa non c'è corrente.
  - L'oblò non è ben chiuso
  - Si è impostato un ritardo sull'ora di avvio (Delay Timer, *vedi pag. 31*).

# Assistenza

---

## **Prima di contattare l'Assistenza:**

- Verificare se l'anomalia può essere risolta da soli (*vedi pag. 35*);
- Riavviare il programma per controllare se l'inconveniente è stato ovviato;
- In caso negativo, contattare l'Assistenza tecnica autorizzata al numero telefonico indicato sul certificato di garanzia.

! Non ricorrere mai a tecnici non autorizzati.

## **Comunicare:**

- il tipo di anomalia;
- il modello della macchina (Mod.);
- il numero di serie (S/N).

Queste informazioni si trovano sulla targhetta applicata nella parte posteriore della lavasciuga.

F

Français

WIDXL 106

### Sommaire

#### Installation, 38-39

Déballage et mise à niveau  
Raccordements hydrauliques et électriques  
Premier cycle de lavage  
Caractéristiques techniques

#### Description du lavante-séchant, 40-41

Bandeau de commandes  
Voyants

#### Mise en marche et Programmes, 42

En bref: démarrage d'un programme  
Tableau des programmes

#### Personnalisations, 43

Sélection de la température  
Sélectionnez le séchage  
Fonctions

#### Produits lessiviels et linge, 44

Tiroir à produits lessiviels  
Triage du linge  
Pièces de linge particulières

#### Précautions et conseils, 45

Sécurité générale  
Mise au rebut  
Economies et respect de l'environnement

#### Entretien et soin, 46

Coupure de l'arrivée d'eau et de courant  
Nettoyage du lavante-séchant  
Nettoyage du tiroir à produits lessiviels  
Entretien du hublot et du tambour  
Nettoyage de la pompe  
Contrôle du tuyau d'arrivée de l'eau

#### Anomalies et remèdes, 47

#### Assistance, 48

# Installation

F

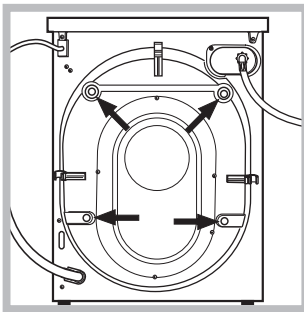
! Conservez ce mode d'emploi pour pouvoir le consulter à tout moment. En cas de vente, de cession ou de déménagement, veillez à ce qu'il suive toujours le lave-linge-séchant pour que son nouveau propriétaire soit informé sur son mode de fonctionnement et puisse profiter des conseils correspondants.

! Lisez attentivement les instructions: elles fournissent d'importantes informations sur l'installation, l'utilisation et la sécurité.

## Déballage et mise à niveau

### Déballage

1. Déballez le lave-linge-séchant.
2. Contrôlez que le lave-linge-séchant n'a pas été endommagé pendant le transport. S'il est abîmé, ne le raccordez pas et contactez votre revendeur.



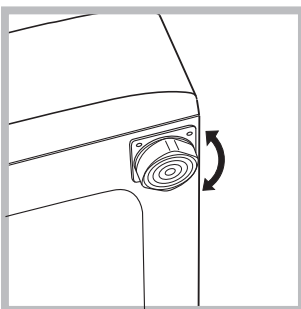
3. Enlevez les 4 vis de protection pour le transport, le caoutchouc et la cale, placés dans la partie arrière (voir figure).

4. Bouchez les trous à l'aide des bouchons plastique fournis.
5. Conservez bien toutes ces pièces: il faudra les remonter en cas de transport du lave-linge-séchant.

! Les emballages ne sont pas des jouets pour enfants.

### Mise à niveau

1. Installez le lave-linge-séchant sur un sol plat et rigide, sans l'appuyer contre des murs, des meubles ou autre.

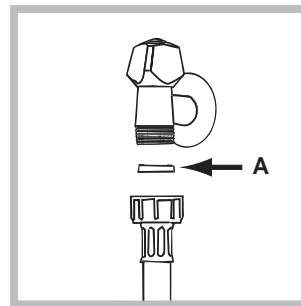


2. Si le sol n'est pas parfaitement horizontal, vissez ou dévissez les petits pieds avant (voir figure) pour niveler l'appareil; son angle d'inclinaison, mesuré sur le plan de travail, ne doit pas dépasser 2°.

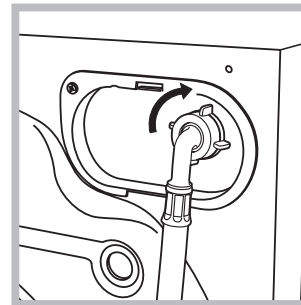
Une bonne mise à niveau garantit la stabilité de la machine et évite qu'il y ait des vibrations, du bruit et des déplacements en cours de fonctionnement. Si la machine est posée sur de la moquette ou un tapis, réglez les petits pieds de manière à ce qu'il y ait suffisamment d'espace pour assurer une bonne ventilation.

## Raccordements hydrauliques et électriques

### Raccordement du tuyau d'arrivée de l'eau



1. Montez le joint A sur l'extrémité du tuyau d'alimentation et vissez-le à un robinet d'eau froide à embout fileté 3/4 gaz (voir figure). Faites couler l'eau jusqu'à ce qu'elle soit limpide et sans impuretés avant de raccorder.



2. Raccordez le tuyau d'alimentation au lave-linge-séchant en le vissant à la prise d'eau prévue, dans la partie arrière en haut à droite (voir figure).

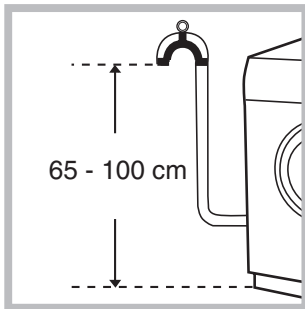
3. Faites attention à ce que le tuyau ne soit ni plié ni écrasé.

! La pression de l'eau doit être comprise entre les valeurs indiquées dans le tableau des Caractéristiques techniques (voir page ci-contre).

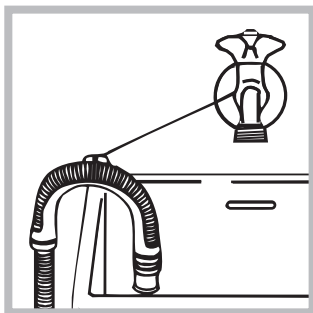
! Si la longueur du tuyau d'alimentation ne suffit pas, adressez-vous à un magasin spécialisé ou à un technicien agréé.

! N'utilisez jamais de tuyaux usés.

## Raccordement du tuyau de vidange



Raccordez le tuyau d'évacuation, sans le plier, à un conduit d'évacuation ou à une évacuation murale placés à une distance du sol comprise entre 65 et 100 cm;



ou bien accrochez-le à un évier ou à une baignoire, dans ce cas, fixez le support en plastique fourni avec l'appareil au robinet (voir figure). L'extrémité libre du tuyau d'évacuation ne doit pas être plongée dans l'eau.

! L'utilisation de tuyaux de rallonge est absolument déconseillée, si vous ne pouvez vraiment pas faire autrement vous devrez utiliser un tuyau de même diamètre et de longueur maximum de 150 cm.

## Branchement électrique

Avant de brancher la fiche dans la prise de courant, contrôlez que:

- la prise dispose de mise à la terre et est conforme aux normes;
- la prise est bien apte à supporter la puissance maximale de la machine indiquée dans le tableau des Caractéristiques techniques (voir ci-contre);
- la tension d'alimentation est bien comprise entre les valeurs figurant dans le tableau des Caractéristiques techniques (voir ci-contre);
- la prise est bien compatible avec la fiche du lave-linge. Autrement, remplacez la prise ou la fiche.

! Votre lave-linge ne doit pas être installé dehors, même à l'abri, car il est très dangereux de le laisser exposé à la pluie et aux orages.

! Après installation du lave-linge, la prise de courant doit être facilement accessible.

! N'utilisez ni rallonges ni prises multiples.

! Le câble ne doit être ni plié ni écrasé.




! Le câble d'alimentation ne doit être remplacé que par des techniciens agréés.

Attention! Nous déclinons toute responsabilité en cas de non respect des normes énumérées ci-dessus.

## Premier cycle de lavage

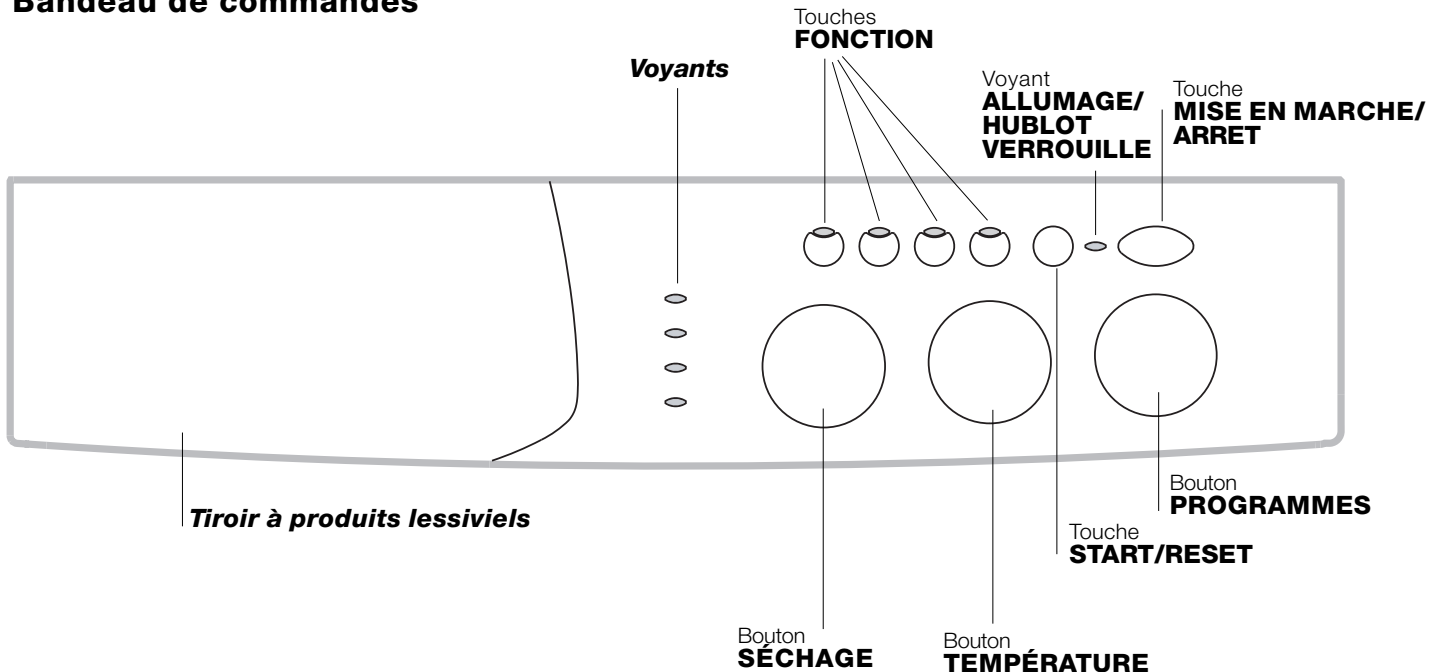
Avant la première utilisation de la machine, effectuez un cycle de lavage avec un produit lessiviel mais sans linge et sélectionnez le programme à 90°C sans prélavage.

## Caractéristiques techniques

<b>Modèle</b>	WIDLX 106
<b>Dimensions</b>	largeur 59,5 cm hauteur 85 cm profondeur 53,5 cm
<b>Capacité</b>	de 1 à 6 kg pour le lavage; de 1 à 5 kg pour le séchage
<b>Raccordements électriques</b>	voir la plaque signalétique appliquée sur la machine
<b>Raccordements hydrauliques</b>	pression maximale 1 MPa (10 bar) pression minimale 0,05 MPa (0,5 bar) capacité du tambour 52 litres
<b>Vitesse d'essorage</b>	jusqu'à 1000 tours minute
<b>Programmes de contrôle selon la norme EN 50229</b>	<b>lavage:</b> programme 2; température 60°C; effectué avec une charge de 6 kg. <b>séchage:</b> premier séchage effectué avec 1 kg de charge et avec sélection d'une durée de 60 min.; deuxième séchage effectué avec 5 kg de charge et bouton SECHAGE amené sur position  .
 	Cet appareil est conforme aux Directives Communautaires suivantes: - 89/336/CEE du 03/05/89 (Compatibilité électromagnétique) et modifications suivantes - 2002/96/CE - 2006/95/CE (Basse Tension)

# Description du lavante-séchante

## Bandeau de commandes



**Tiroir à produits lessiviels:** chargement des produits lessiviels et additifs (voir page 44).

**Voyants:** suivi du stade d'avancement du programme de lavage. Si la fonction Départ différé a été sélectionnée, indiquent le temps résiduel avant le démarrage du programme (voir page 41).

Bouton **SÉCHAGE** pour sélectionner le séchage voulu (voir page 43).

Touches **FONCTION:** sélection des fonctions disponibles. La touche correspondant à la fonction sélectionnée restera allumée.

Bouton **TEMPÉRATURE:** sélection de la température ou lavage à froid (voir page 43).

Touche **START/RESET:** démarrage des programmes ou annulation (en cas d'erreur).

Voyant **ALLUMAGE/HUBLOT VERROUILLE:** pour comprendre si le lavante-séchante est branché et si le hublot peut être ouvert (voir page 41).

Touche **MISE EN MARCHÉ/ARRÊT:** mise en marche ou arrêt du lavante-séchante.

Bouton **PROGRAMMES:** choix des programmes (voir page 42).

En cours de lavage, le bouton ne bouge pas.

**Remarque:** Pour éviter des vibrations excessives, avant toute phase d'essorage, l'appareil imprime au tambour une série de rotations continues à une vitesse légèrement supérieure à la vitesse de lavage pour distribuer le linge de façon uniforme.

Si, malgré plusieurs tentatives, le linge n'est pas parfaitement réparti, l'appareil effectue l'essorage à une vitesse inférieure à la vitesse prévue.

En cas de déséquilibre excessif, l'appareil procède à la répartition du linge au lieu de l'essorage.

Les tentatives éventuelles d'équilibrage peuvent prolonger la durée totale du cycle de 10 minutes maximum.



## Voyants

Les voyants fournissent des informations importantes. Voilà ce qu'ils signalent:

### Retard programmé:

Si la fonction Départ différé a été activée (voir page 43) et après avoir sélectionné le programme, le voyant correspondant au retard programmé commence à clignoter:



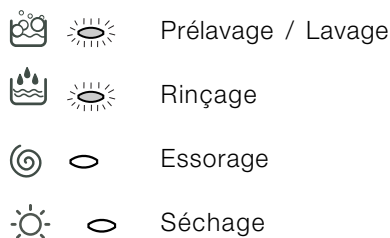
Au fur et à mesure que le temps passe, le retard résiduel est affiché avec clignotement du voyant correspondant:



Une fois que le retard sélectionné touche à sa fin, le voyant clignotant s'éteint et le programme sélectionné démarre.

### Phases en cours:

Pendant le cycle de lavage, les voyants s'allument progressivement pour indiquer son stade d'avancement:



Remarque:

- pendant la phase de vidange, le voyant correspondant à la phase Essorage s'allume.

- Une fois le cycle de séchage terminé, le voyant correspondant à la phase Séchage commencera à clignoter pour indiquer qu'il faut ramener le bouton SECHAGE sur 0.

### Touches fonction

Les TOUCHES FONCTION servent aussi de voyants. La sélection d'une fonction entraîne l'allumage du voyant correspondant.

Si la fonction sélectionnée est incompatible avec le programme sélectionné, la touche clignote et la fonction n'est pas activée.

En cas de sélection d'une fonction incompatible avec une autre précédemment sélectionnée, la seule à être activée sera la dernière validée.

### Voyant ALLUMAGE/HUBLLOT VERROUILLE

Le voyant allumé indique que le hublot est verrouillé pour empêcher toute ouverture accidentelle; attendez que le voyant cesse de clignoter avant d'ouvrir le hublot, vous risqueriez d'endommager l'appareil.

! Le clignotement rapide du voyant ALLUMAGE/HUBLLOT VERROUILLE en même temps qu'un autre signale une anomalie (voir page 47).

# Mise en marche et Programmes

F

## En bref: démarrage d'un programme

1. Pour allumer le lave-linge appuyez sur la touche (⏻). Tous les voyants s'allument pendant quelques secondes puis s'éteignent et le voyant ALLUMAGE/HUBLOT VERROUILLE commence à clignoter.
2. Chargez le lave-linge et fermez le hublot.
3. Sélectionnez à l'aide du bouton PROGRAMMES le programme désiré.
4. Sélectionnez la température de lavage (voir page 43).

5. Sélectionnez le séchage si nécessaire (voir page 43).
6. Versez le produit lessiviel et les additifs (voir page 44).
7. Appuyez sur la touche START/RESET pour lancer le programme.  
Pour annuler, poussez sur la touche START/RESET pendant 2 secondes au moins.
8. A la fin du programme de lavage, le voyant ALLUMAGE/HUBLOT VERROUILLE clignote pour indiquer que le hublot peut être ouvert. Sortez le linge et laissez le hublot entrouvert pour faire sécher le tambour. Eteignez le lave-linge en appuyant sur la touche (⏻).

## Tableau des programmes

Nature des tissus et degré de salissure	Program.	Température	Séchage	Lessive		Assouplissant	Durée du cycle (minutes)	Description du cycle de lavage
				prélav.	lavage			
<b>Standard</b>								
<b>Coton:</b> Blancs extrêmement sales (draps, nappes, etc.)	1	90°C	•	•	•	•	155	Prélavage, lavage, rinçages, essorages intermédiaires et essorage final
<b>Coton:</b> Blancs extrêmement sales (draps, nappes, etc.)	2	90°C	•		•	•	150	Lavage, rinçages, essorages intermédiaires et essorage final
<b>Coton:</b> Blancs et couleurs résistantes très sales	2	60°C	•		•	•	140	Lavage, rinçages, essorages intermédiaires et essorage final
<b>Coton:</b> Blancs et couleurs délicates très sales	2	40°C	•		•	•	125	Lavage, rinçages, essorages intermédiaires et essorage final
<b>Coton:</b> Blancs peu sales et couleurs délicates (chemises, pulls, etc.)	3	40°C	•		•	•	85	Lavage, rinçages, essorages intermédiaires et essorage final
<b>Synthétiques:</b> Couleurs résistantes très sales (linge de bébé, etc.)	4	60°C	•		•	•	83	Lavage, rinçages, anti-froissement ou essorage délicat
<b>Synthétiques:</b> Couleurs résistantes très sales (linge de bébé, etc.)	4	40°C	•		•	•	70	Lavage, rinçages, anti-froissement ou essorage délicat
Laine	5	40°C			•	•	50	Lavage, rinçages et essorage délicat
Tissus particulièrement délicats (rideaux, soie, viscose, etc.)	6	30°C			•	•	45	Lavage, rinçages, anti-froissement ou vidange
Séchage tissus coton	7		•					
Séchage tissus délicats	8		•					
<b>Time 4 you</b>								
<b>Coton:</b> Blancs et couleurs résistantes très sales	9	60°C			•	•	60	Lavage, rinçages, essorages intermédiaires et essorage final
<b>Synthétiques:</b> Couleurs délicates (linge en tout genre légèrement sale)	10	40°C			•	•	40	Lavage, rinçages, essorage délicat
<b>Synthétiques:</b> Couleurs délicates (linge en tout genre légèrement sale)	11	30°C	•		•	•	30	Lavage, rinçages et essorage délicat
<b>Sports</b>								
Chaussures de sport (2 paires MAX.)	12	30°C			•	•	50	Lavages en eau froide (sans lessive), lavage, rinçages et essorage délicat
Textiles vêtements de sport (survêtements, shorts, etc.)	13	30°C			•	•	60	Lavage, rinçages, essorages intermédiaires et essorage final
<b>PROGRAMMES PARTIAUX</b>								
Rinçage			•			•		Rinçages et essorage
Essorage			•					Vidange et essorage
Vidange								Vidange

## Remarque

- Pour le programme 9 il est conseillé de ne pas dépasser une charge de 3,5 kg.
- Pour le programme 13 il est conseillé de ne pas dépasser une charge de 2 kg.
- Pour la fonction anti-froissement: voir Repassage facile, page ci-contre. Les données reportées dans le tableau sont à titre indicatif.

## Programme spécial

**Express 30'** (programme 11 pour Synthétiques) spécialement conçu pour laver du linge peu sale en un rien de temps: il ne dure que 30 minutes et permet ainsi de faire des économies d'énergie et de temps. Choisissez le programme (11 à 30°C), vous pourrez laver ensemble des textiles différents (sauf laine et soie) en ne dépassant pas 3 kg de charge. *Nous vous conseillons d'utiliser des lessives liquides.*

## °C Sélection de la température

Tournez le bouton TEMPERATURE pour sélectionner la température de lavage (voir Tableau des programmes page 42). Vous pouvez réduire la température jusqu'au lavage à froid (❄).

## ☀ Sélectionnez le séchage

Tournez le bouton SECHAGE pour sélectionner le type de séchage souhaité. Deux possibilités sont prévues:

**A** - En fonction du temps: De 40 à 180 minutes.

**B** - En fonction du niveau de séchage:

Repassage : linge légèrement humide, facile à repasser.

Sécher et suspendre : linge sec à ranger.

Armoire : linge très sec, conseillé pour serviettes éponge et peignoirs.

Un cycle de refroidissement est prévu quand le séchage est terminé.

Si, exceptionnellement, la charge de linge à laver et faire sécher dépasse la charge maximum prévue (voir tableau ci-contre), procédez au lavage et une fois le programme terminé, séparez votre linge et placez-en une partie dans le tambour. Suivez à présent les instructions pour procéder au **séchage seulement**. Procédez de même pour le linge restant.

### Séchage seulement

Tournez le bouton PROGRAMMES jusqu'à une position de séchage (7-8) selon le type de textile puis sélectionnez le type de séchage souhaité à l'aide du bouton SECHAGE.

**Important:** - Pendant le séchage, la machine procède à un essorage si vous avez programmé un des programmes coton et un des niveaux de séchage (Armoire , Sécher et suspendre , Repassage ).  
- Pour des chargements de textiles coton inférieurs à 1 Kg, utilisez le programme de séchage pour textiles délicats.

## Fonctions

Les différentes fonctions de lavage prévues par le lavante-séchante permettent d'obtenir la propreté et le blanc souhaités. Pour activer les fonctions:

- appuyez sur la touche correspondant à la fonction désirée, d'après le tableau ci-dessous;
- l'allumage de la touche correspondante signale que la fonction est activée.

Remarque: Le clignotement rapide de la touche signale que la fonction correspondante n'est pas disponible pour le programme sélectionné.

Fonctions	Effet	Mode d'emploi	Activée avec les programmes:
<b>Départ différé</b>	Pour différer la mise en marche de votre machine jusqu'à 9 heures.	Appuyez plusieurs fois de suite sur la touche jusqu'à ce que le voyant correspondant au retard souhaité s'allume. A la cinquième pression sur la touche, la fonction se désactive. N.B: Après avoir appuyé sur la touche Start/Reset, vous ne pouvez modifier le retard programmé que pour le diminuer.	Tous
<b>Repassage facile</b>	Pour moins froisser les tissus et simplifier leur repassage.	Si cette fonction est sélectionnée, les programmes 4, 6 s'arrêteront en laissant le linge tremper dans l'eau (Anti-froissement) et le voyant de la phase Rinçage  se mettra à clignoter: - pour compléter le cycle appuyez sur la touche START/RESET; - pour n'effectuer que la vidange amenez le bouton sur le symbole correspondant  et appuyez sur la touche START/RESET.  <i>Si vous voulez aussi effectuer le séchage, ce bouton agit uniquement s'il est utilisé avec le niveau  (Repassage).</i>	3, 4, 6, 9, 10, Rinçage.
<b>Rinçage plus</b>	Pour augmenter l'efficacité du rinçage.	Utilisation conseillée en cas de pleine charge ou de doses élevées de produit lessiviel.	1, 2, 3, 4, 9, 10, 12, 13, Rinçage.
1000-500	Pour réduire la vitesse d'essorage.		Tous sauf le 6, 7, 8 et la vidange.

Tableau temps de séchage

Type de tissu	Type de charge	Charge max. (kg)	Armoire	Sécher et suspendre	Repassage
Coton, lin	Linge de différentes dimensions	5	180	170	140
Coton	Serviettes éponge	5	180	170	140
Térital, coton	Draps, chemises	2,5	140	120	100
Acryliques	Pyjamas, chaussettes etc.	1	70	65	60
Nylon	Lingerie, etc.	1	70	65	60

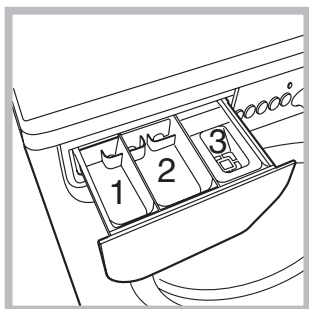
Les données indiquées dans le tableau ont une valeur purement indicative.

# Produits lessiviels et linge

F

## Tiroir à produits lessiviels

Un bon résultat de lavage dépend aussi d'un bon dosage de produit lessiviel: un excès de lessive ne lave pas mieux, il incruste l'intérieur de votre lavante-séchante et pollue l'environnement.



Sortez le tiroir à produits lessiviels et versez la lessive ou l'additif comme suit.

### **bac 1: Lessive pré-lavage (en poudre)**

### **bac 2: Lessive lavage (en poudre ou liquide)**

Versez la lessive liquide juste avant la mise en marche.

### **bac 3: Additifs (adouçissant, etc.)**

L'assouplissant ne doit pas déborder de la grille.

! N'utilisez pas de lessives pour lavage à la main, elles génèrent trop de mousse.

## Triage du linge

- Triez correctement votre linge d'après:
  - le type de textile / le symbole sur l'étiquette.
  - les couleurs: séparez le linge coloré du blanc.
- Videz les poches et contrôlez les boutons.
- Ne dépassez pas les valeurs indiquées correspondant au poids de linge sec:
  - Textiles résistants: 6 kg max.
  - Textiles synthétiques: 2,5 kg max.
  - Textiles délicats: 2 kg max.
  - Laine: 1,5 kg max.

### **Combien pèse le linge ?**

- 1 drap 400-500 g
- 1 taie d'oreiller 150-200 g
- 1 nappe 400-500 g
- 1 peignoir 900-1.200 g
- 1 serviette éponge 150-250 g

## Pièces de linge particulières

**Rideaux:** pliez-les bien et glissez-les dans une taie d'oreiller ou dans un sac genre filet. Lavez-les seuls sans dépasser la demi-charge. Sélectionnez le programme 6 qui supprime automatiquement l'essorage.

**Doudounes et anoraks:** s'ils sont en duvet d'oie ou de canard, ils peuvent être lavés à la machine. Lavez les vêtements sur l'envers. La charge ne doit pas excéder

2-3 kg. Prévoyez 2, voire 3 rinçages et un essorage léger.

**Laine:** pour obtenir d'excellents résultats utilisez un produit lessiviel spécial et ne dépassez pas une charge de 1,5 kg.

! Ce lavante-séchante a été conçu et fabriqué conformément aux normes internationales de sécurité. Ces avertissements sont fournis pour des raisons de sécurité, lisez-les attentivement.

## Sécurité générale

- Cet appareil a été conçu pour une utilisation domestique, non professionnelle et ses fonctions ne doivent pas être altérées.
- Ce lave-linge ne doit être utilisé que par des adultes en suivant les instructions reportées dans ce mode d'emploi.
- N'utilisez pas l'appareil si vous êtes pieds nus. ne touchez jamais l'appareil si vous avez les pieds ou les mains humides.
- Ne tirez jamais sur le câble pour débrancher la fiche de la prise de courant.
- N'ouvrez pas le tiroir à produits lessiviels si la machine est en marche.
- Ne touchez pas à l'eau de vidange, elle peut atteindre des températures très élevées.
- Ne forcez pas pour ouvrir le hublot: le verrouillage de sécurité qui protège contre les ouvertures accidentelles pourrait s'endommager.
- En cas de panne, n'essayez en aucun cas d'accéder aux mécanismes internes pour tenter de la réparer.
- Veillez à ce que les enfants ne s'approchent pas de la machine pendant son fonctionnement.
- Pendant le lavage, le hublot a tendance à se réchauffer.
- Deux ou trois personnes sont nécessaires pour la déplacer en faisant très attention. Ne jamais la déplacer seul car la machine est très lourde.
- Avant d'introduire votre linge, contrôlez si le tambour est bien vide.
- Pendant le séchage, le hublot a tendance à chauffer.
- Ne mettez pas à sécher du linge lavé avec des solvants inflammables (trichloréthylène par ex.).
- Ne mettez pas à sécher du caoutchouc-mousse ou des élastomères du même genre.
- Vérifiez qu'au cours du séchage, le robinet de l'eau soit bien ouvert.
- Ce lavante-séchante séchant ne peut être utilisé que pour sécher du linge ayant été lavé à l'eau.

## Mise au rebut

- Mise au rebut du matériel d'emballage: se conformer aux réglementations locales de manière à ce que les emballages puissent être recyclés.
- La Directive Européenne 2002/96/EC sur les Déchets des Equipements Electriques et Electroni-

ques, exige que les appareils ménagers usagés ne soient pas jetés dans le flux normal des déchets municipaux. Les appareils usagés doivent être collectés séparément afin d'optimiser le taux de récupération et le recyclage des matériaux qui les composent et réduire l'impact sur la santé humaine et l'environnement. Le symbole de la "poubelle barrée" est apposée sur tous les produits pour rappeler les obligations de collecte séparée. Les consommateurs devront contacter les autorités locales ou leur revendeur concernant la démarche à suivre pour l'enlèvement de leur vieil appareil.

## Economies et respect de l'environnement

### La technologie au service de l'environnement

Si vous voyez peu d'eau à travers le hublot c'est parce que grâce à la nouvelle technologie Ariston, il suffit de moins de la moitié d'eau pour obtenir une propreté impeccable: un but atteint pour protéger l'environnement.

### Economie de produit lessiviel, d'eau, d'électricité et de temps

- Pour ne pas gaspiller de ressources, utilisez le lavante-séchante à sa charge maximale. Mieux vaut une pleine charge que deux demies, vous économiserez jusqu'à 50% d'électricité.
- Un pré-lavage n'est nécessaire qu'en cas de linge très sale. S'en passer permet de faire des économies de produit lessiviel, de temps, d'eau et entre 5 et 15% d'électricité.
- Si vous traitez les taches avec un produit détachant ou si vous les laissez tremper avant de les laver, vous éviterez d'avoir à laver à de hautes températures. Un programme à 60°C au lieu de 90°C ou un à 40°C au lieu de 60°C, fait économiser jusqu'à 50% d'électricité.
- Bien doser la quantité de produit lessiviel en fonction de la dureté de l'eau, du degré de salissure et de la quantité de linge à laver évite les gaspillages et protège l'environnement: bien que biodégradables, les produits lessiviels contiennent des éléments qui altèrent l'équilibre de la nature. Evitez le plus possible l'utilisation d'assouplissant.
- Effectuer ses lavages tard dans l'après-midi et jusqu'aux premières heures du matin permet de réduire la charge d'absorption des opérateurs énergétiques. L'option Départ différé (voir page 43) aide à mieux organiser les lavages en ce sens.
- Si le linge doit être séché dans un sèche-linge, sélectionnez une haute vitesse d'essorage. Du linge qui contient moins d'eau fait économiser du temps et de l'électricité dans le programme de séchage.

# Entretien et soin

F

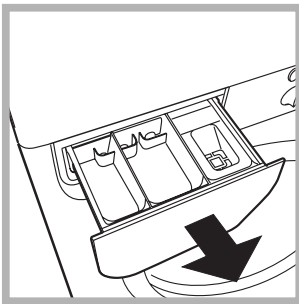
## Coupure de l'arrivée d'eau et de courant

- Fermez le robinet de l'eau après chaque lavage: vous limiterez ainsi l'usure de l'installation hydraulique de votre lavante-séchante et éliminerez le danger de fuites.
- Débranchez la fiche de la prise de courant quand vous nettoyez votre lavante-séchante et pendant tous vos travaux d'entretien.

## Nettoyage du lavante-séchante

Pour nettoyer l'extérieur et les parties en caoutchouc, utilisez un chiffon imbibé d'eau tiède et de savon. N'utilisez ni solvants ni abrasifs.

## Nettoyage du tiroir à produits lessiviels



Pour sortir le tiroir, soulevez-le et tirez-le vers vous (voir figure). Lavez-le à l'eau courante, effectuez cette opération assez souvent.

## Entretien du hublot et du tambour

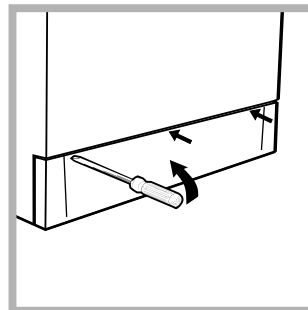
- Quand vous n'utilisez pas votre lave-linge, laissez toujours le hublot entrouvert pour éviter la formation de mauvaises odeurs.

## Nettoyage de la pompe

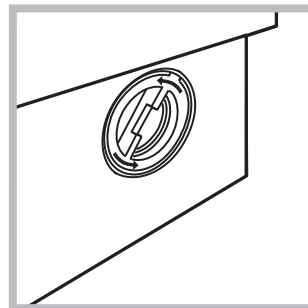
Le lavante-séchante est équipé d'une pompe autonettoyante qui n'exige aucune opération d'entretien. Il peut toutefois arriver que de menus objets (pièces de monnaie, boutons) tombent dans la préchambre qui protège la pompe, placée en bas de cette dernière.

! Contrôlez que le cycle de lavage est bien terminé et débranchez la fiche.

Pour accéder à cette préchambre:



1. démontez le panneau situé à l'avant du lavante-séchante à l'aide d'un tournevis (voir figure);



2. dévissez le couvercle en le faisant tourner dans le sens inverse des aiguilles d'une montre (voir figure): il est normal qu'un peu d'eau s'écoule;

3. nettoyez soigneusement à l'intérieur;
4. revissez le couvercle;
5. remontez le panneau en veillant à bien enfiler les crochets dans les fentes prévues avant de le pousser contre la machine.

## Contrôle du tuyau d'arrivée de l'eau

Contrôlez le tuyau d'alimentation au moins une fois par an. Remplacez-le dès que vous remarquez des craquèlements et des fissures: les fortes pressions subies pendant le lavage pourraient provoquer des cassures.

! N'utilisez jamais de tuyaux usés.

Il peut arriver que le lavante-séchante ne fonctionne pas bien. Avant de appeler le Service après-vente (voir page 48), contrôlez s'il ne s'agit pas d'un problème facile à résoudre grâce à la liste suivante.

## Anomalies:

**Le lavante-séchante ne s'allume pas.**

**Le cycle de lavage ne démarre pas.**

**Il n'y a pas d'arrivée d'eau.**

**Le lavante-séchante prend l'eau et vidange continuellement.**

**Votre lavante-séchante ne vidange pas et n'essore pas.**

**Votre lavante-séchante vibre beaucoup pendant l'essorage.**

**Le lavante-séchante a des fuites.**

**Le voyant ALLUMAGE/HUBLOT VERROUILLE clignote rapidement en même temps qu'un autre voyant.**

**Il y a un excès de mousse.**

**Le lavante-séchante ne sèche pas.**

## Causes / Solutions possibles:

- La fiche n'est pas branchée dans la prise de courant ou mal branchée.
- Il y a une panne de courant.

- Le hublot n'est pas bien fermé.
- La touche (⏻) n'a pas été actionnée.
- La touche START/RESET n'a pas été actionnée.
- Le robinet de l'eau n'est pas ouvert.
- Un départ différé a été sélectionné (Départ différé, voir page 43).

- Le tuyau d'arrivée de l'eau n'est pas raccordé au robinet.
- Le tuyau est plié.
- Le robinet de l'eau n'est pas ouvert.
- Il y a une coupure d'eau.
- La pression n'est pas suffisante.
- La touche START/RESET n'a pas été actionnée.

- le tuyau de vidange n'est pas installé à une distance du sol comprise entre 65 et 100 cm (voir page 39).
- L'extrémité du tuyau de vidange est plongée dans l'eau (voir page 39).
- L'évacuation murale n'a pas d'évent.

Si après ces vérifications, le problème persiste, fermez le robinet de l'eau, éteignez la machine et appelez le service Assistance. Si vous habitez en étage dans un immeuble, il peut y avoir des phénomènes de siphonnement qui font que votre lavante-séchante prend et évacue l'eau continuellement. Pour supprimer cet inconvénient, vous pouvez trouver dans le commerce des valves spéciales anti-siphonnement.

- Le programme ne prévoit pas de vidange: pour certains programmes, il faut intervenir pour la faire démarrer (voir page 42).
- L'option Repassage facile est activée: pour compléter le programme, appuyez sur la touche START/RESET (voir page 43).
- Le tuyau de vidange est plié (voir page 39).
- La conduite de l'installation de vidage est bouchée.

- Le tambour n'a pas été débloqué (comme indiqué page 38) lors de l'installation du lave-linge.
- Le lavante-séchante n'est pas posé à plat (voir page 38).
- Le lavante-séchante est coincé entre des meubles et le mur (voir page 38).

- Le tuyau d'arrivée de l'eau n'est pas bien vissé (voir figure page 38).
- Le tiroir à produits lessiviels est bouché (pour le nettoyer voir pag. 46).
- Le tuyau de vidange n'est pas bien fixé (voir page 39).

- Eteindre l'appareil et débrancher la fiche de la prise de courant, attendre 1 minute environ avant de rallumer.  
Si l'anomalie persiste, appeler le service d'assistance.

- Le produit de lavage utilisé n'est pas une lessive spéciale machine (il faut qu'il y ait l'inscription "pour lave-linge", "main et machine", ou autre semblable).
- La quantité utilisée est excessive.

- La fiche n'est pas branchée dans la prise de courant ou mal branchée.
- Il y a une panne de courant.
- Le hublot n'est pas bien fermé.
- Un départ différé a été sélectionné (Départ différé, voir page 43).
- le bouton SÉCHAGE est sur la position 0.

# Assistance

---

F

## **Avant d'appeler le service après-vente:**

- Vérifiez si vous ne pouvez pas résoudre vous-même le problème (*voir page 47*);
- Remettez le programme en marche pour contrôler si dysfonctionnement a disparu;
- Autrement, appelez le Service après-vente de votre revendeur;

! Ne vous adressez jamais à des techniciens non agréés.

## **Communiquez:**

- le type de panne;
- le modèle de la machine (Référence);
- le numéro de série (S/N).

Vous trouverez tous ces renseignements sur la plaquette signalétique située sur le panneau arrière de votre lavante-séchante.



**DE****Deutsch****WIDXL 106**

### INHALTSVERZEICHNIS

#### **Installation, 50-51**

Auspacken und Aufstellen  
Wasser- und Elektroanschlüsse  
Erster Waschgang  
Technische Daten

#### **Beschreibung des Waschtrockner, 52-53**

Schalterblende  
Kontrollleuchten

#### **Inbetriebnahme und Programme, 54**

Kurz zusammengefasst: Waschprogramm starten  
Programmtabelle

#### **Individualisierungen, 55**

Einstellen der Temperatur  
Trockengang einstellen  
Funktionen

#### **Waschmittel und Wäsche, 56**

Waschmittelschublade  
Vorsortieren der Wäsche  
Besondere Wäscheteile

#### **Vorsichtsmaßnahmen und Hinweise, 57**

Allgemeine Sicherheit  
Entsorgung  
Energie sparen und Umwelt schonen

#### **Reinigung und Pflege, 58**

Wasser- und Stromversorgung abstellen  
Reinigung des Gerätes  
Reinigung der Waschmittelschublade  
Pflege der Gerätetür und Trommel  
Reinigung der Pumpe  
Kontrolle des Wasserzulaufschlauchs

#### **Störungen und Abhilfe, 59**

#### **Kundendienst, 60**

Bevor Sie sich an den Kundendienst wenden

# Installation

DE

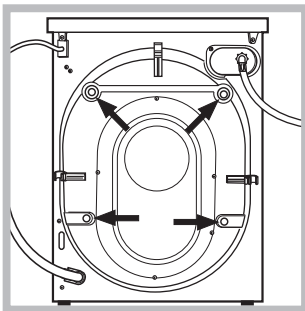
! Es ist äußerst wichtig, diese Bedienungsanleitung sorgfältig aufzubewahren, um sie jederzeit zu Rate ziehen zu können. Sorgen Sie dafür, dass sie im Falle eines Umzugs oder Übergabe an einen anderen Benutzer das Gerät stets begleitet, damit auch der neue Inhaber die Möglichkeit hat, diese zu Rate zu ziehen.

! Lesen Sie bitte folgende Hinweise aufmerksam durch, sie liefern wichtige Informationen hinsichtlich der Installation, dem Gebrauch und der Sicherheit.

## Auspacken und Aufstellen

### Auspacken

1. Gerät auspacken.
2. Sicherstellen, dass der Wäschetrockner keine Transportschäden erlitten hat. Im Falle einer Beschädigung Gerät bitte nicht anschließen, sondern den Kundendienst anfordern.



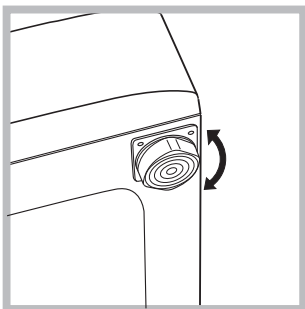
3. Die 4 Transportschutzschrauben ausschrauben und das an der Rückwand befindliche Gummiteil nebst entsprechendem Distanzstück abnehmen (siehe Abbildung).

4. Die Löcher mittels der mitgelieferten Kunststoffstöpsel schließen.
5. Sämtliche Teile aufbewahren: Sollte der Wäschetrockner erneut transportiert werden müssen, müssen diese Teile wieder eingesetzt werden.

! Verpackungsmaterial ist kein Spielzeug für Kinder

### Standfläche

1. Der Wäschetrockner muss auf einem ebenen, festen Untergrund aufgestellt werden, ohne ihn an Wände, Möbelteile oder ähnliches anzulehnen.

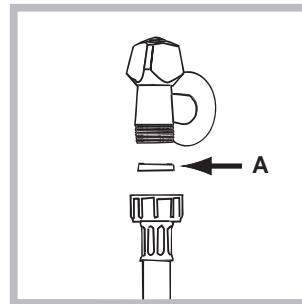


2. Sollte der Boden nicht perfekt eben sein, müssen die Unebenheiten durch An- bzw. Ausdrehen der vorderen Stellfüße ausgeglichen werden (siehe Abbildung), der auf der Arbeitsfläche zu ermittelnde Neigungsgrad darf 2° nicht überschreiten.

Eine präzise Nivellierung verleiht dem Gerät die erforderliche Stabilität, durch die Vibrationen, Betriebsgeräusche und ein Verrücken des Gerätes vermieden werden. Bei Teppichböden müssen die Stellfüße so reguliert werden, dass ein ausreichender Freiraum zur Belüftung unter dem Wäschetrockner gewährleistet ist.

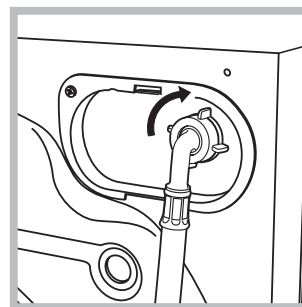
## Wasser- und Elektroanschlüsse

### Anschluss des Zulaufschlauches



1. Legen Sie die Gummidichtung A in das Anschlussstück des Zulaufschlauches ein und drehen Sie dieses an einen mit Gewindeanschluss von  $\frac{3}{4}$  G versehenen Kaltwasserhahn (siehe Abbildung). Lassen Sie das Wasser

vor dem Anschluss so lange auslaufen, bis klares Wasser austritt.



2. Schließen Sie das andere Ende des Schlauches an den oben rechts am Rückteil des Wäschetrockners befindlichen Wasseranschluss an (siehe Abbildung).

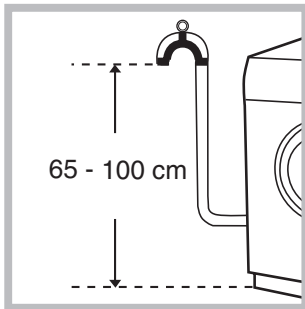
3. Der Schlauch darf hierbei nicht eingeklemmt oder abgeknickt werden.

! Der Wasserdruck muss innerhalb der Werte liegen, die in der Tabelle der Technischen Daten angegeben sind (siehe nebenstehende Seite).

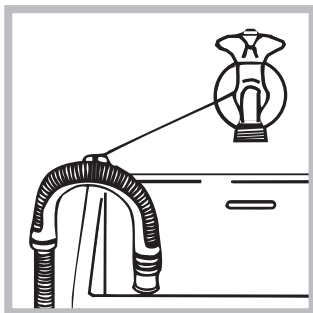
! Sollte der Zulaufschlauch nicht lang genug sein, dann wenden Sie sich bitte an einen Fachhändler oder an einen autorisierten Fachmann.

! Verwenden Sie niemals bereits gebrauchte Schläuche.

### Anschluss des Ablaufschlauches



Schließen Sie den Ablaufschlauch, ohne ihn dabei zu krümmen, an eine Ablaufleitung, oder an einen in der Wand in einer Mindesthöhe von 65 - 100 cm angelegten Ablauf an;



oder hängen Sie ihn in ein Becken oder eine Wanne ein; befestigen Sie ihn in diesem Falle mittels der mitgelieferten Führung an dem Wasserhahn (siehe Abbildung). Das freie Ablaufschlauchende darf nicht unter Wasser bleiben.

! Verlängerungsschläuche sollten nicht eingesetzt werden, sollte dies jedoch absolut unvermeidlich sein, muss die Verlängerung denselben Durchmesser des Originalschlauchs aufweisen und 150 cm nicht überschreiten.

### Elektronanschluss

Vor Einfügen des Steckers in die Steckdose ist sicherzustellen, dass:

- die Steckdose über eine normgerechte Erdung verfügt;
- die Steckdose die in nebenstehender Datentabelle angegebene Höchstlast des Gerätes trägt;
- die Stromspannung den in nebenstehender Datentabelle aufgeführten Werten entspricht;
- der Stecker in die Steckdose passt. Andernfalls muss der Stecker (oder die Steckdose) ersetzt werden.

! Der Waschtrockner darf nicht im Freien installiert werden, auch nicht, wenn es sich um einen geschützten Platz handelt. Es ist gefährlich, Ihren Vollwaschautomaten Gewittern und Unwettern auszusetzen.

! Die Steckdose sollte nach installiertem Gerät leicht zugänglich sein.

! Verwenden Sie bitte keine Verlängerungen oder Mehrfachstecker.

! Das Kabel darf nicht gebogen bzw. eingeklemmt werden.

! Das Versorgungskabel darf nur durch autorisierte Fachkräfte ausgetauscht werden.

Achtung! Der Hersteller weist jede Haftung zurück, falls diese Vorschriften nicht eingehalten werden sollten.

### Erster Waschgang

Lassen Sie nach der Installation bzw. vor erstmaligem Gebrauch erst einen Waschgang (mit Waschmittel) ohne Wäsche durchlaufen. Stellen Sie hierzu das 90°C-Waschprogramm ohne Vorwäsche ein.

### Technische Daten

**Modell** WIDXL 106

**Abmessungen**  
Breite 59,5 cm  
Höhe 85 cm  
Tiefe 53,5 cm

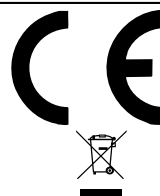
**Fassungsvermögen** 1 - 6 kg für den Waschzyklus;  
1 - 5 kg für den Trockenzklus

**Elektroanschlüsse** siehe das am Gerät befindliche Typenschild

**Wasseranschlüsse** Höchstdruck 1 MPa (10 bar)  
Mindestdruck 0,05 MPa (0,5 bar)  
Trommelvolumen 52 Liter

**Schleudertouren** bis zu 1000 U/min.

**Prüfprogramme gemäß EN 50229**  
**Waschen:** Programm 2; Temperatur 60°C; bei einer Lademenge von 6 kg.  
**Trocknen:** erster Trockengang bei einer Wäscheladung von 1 kg und Wahl einer Dauer von 60 Minuten; zweiter Trockengang bei einer Wäscheladung von 5 kg und Einstellung des Wählschalters TROCKNEN auf Pos.

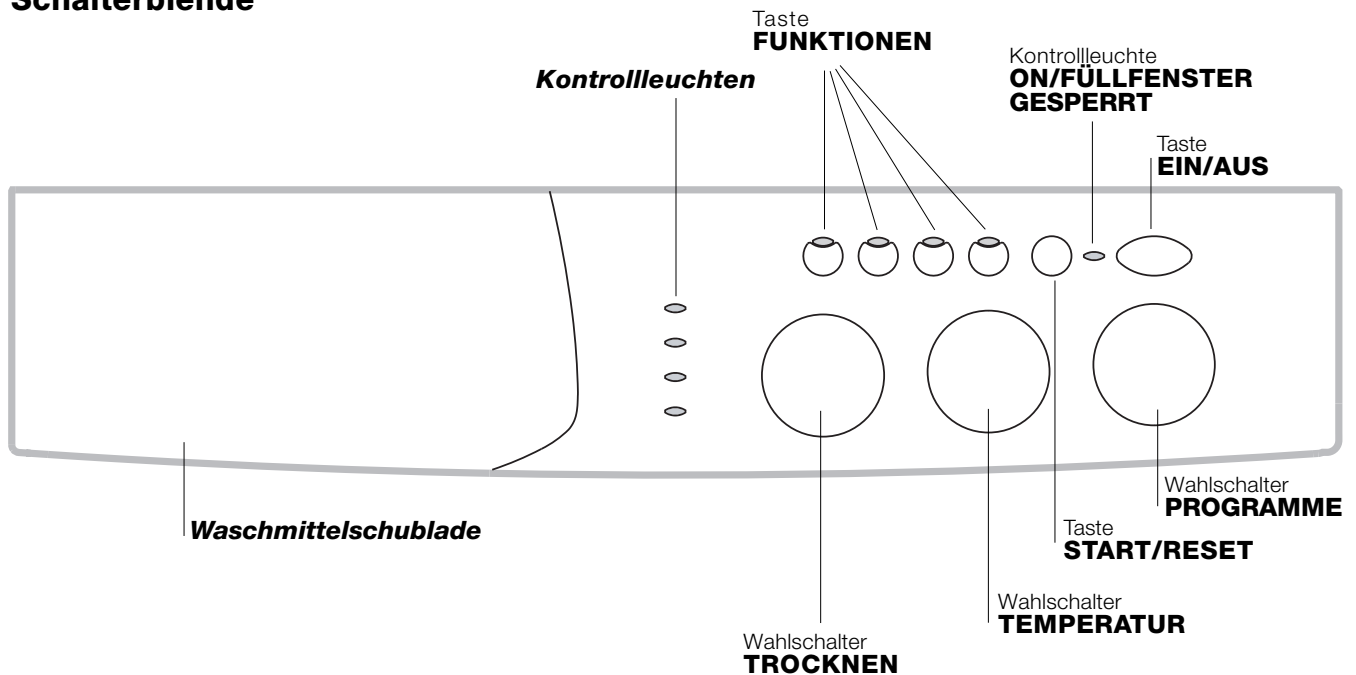


Dieses Gerät entspricht den folgenden EG-Richtlinien:  
- 89/336/EWG vom 03.05.89 (elektromagnetische Verträglichkeit) und nachfolgenden Änderungen  
- 2002/96/CE  
- 2006/95/CE (Niederspannung)

# Beschreibung des Waschtrockner

DE

## Schalterblende



**Waschmittelschublade:** für Waschmittel und Zusätze (siehe Seite 56).

**Kontrollleuchten:** Zur Kontrolle des Waschprogrammablaufs. Wurde die Funktion Delay Timer eingestellt, wird die bis zum Start noch verbleibende Zeit angezeigt (siehe Seite 53).

Wahlschalter **TROCKNEN:** zur Einstellung des gewünschten Trocknungsgrades (siehe Seite 55).

Tasten **FUNKTIONEN:** Zur Einstellung der verfügbaren Funktionen. Die gewählte Einstellung der entsprechenden Funktionstaste bleibt eingeschaltet. (sie leuchtet).

Wahlschalter **TEMPERATUR:** Zur Einstellung der Waschtemperatur oder der Kaltwäsche (siehe Seite 55).

Taste **"START/RESET":** um die Programme zu starten bzw. zu löschen, falls unkorrekt eingestellt.

Kontrollleuchte **ON/FÜLLFENSTER GESPERRT:** Um Erkennen zu können, ob die Maschine eingeschaltet ist und demnach das Füllfenster nicht geöffnet werden kann (siehe Seite 53).

Taste **"EIN/AUS":** zur Ein- und Ausschaltung des Waschtrockners.

Wahlschalter **PROGRAMME:** zur Programmwahl. Während des Programmablaufs bleibt der Schalter feststehend.

**Anmerkungen:** Um zu starke Vibrationen, bzw. eine Unwucht beim Schleudern, zu vermeiden, sorgt das Gerät für eine gleichmäßige Verteilung der Wäscheladung durch eine laufende Rotation der Trommel bei einer etwas höheren Geschwindigkeit, als die des Waschganges.

Sollte es trotz mehrerer Versuche nicht gelingen, die Wäscheladung gleichmäßig zu verteilen, schleudert das Gerät die Wäsche bei reduzierter Schleudergeschwindigkeit.

## Kontrollleuchten

Die Kontrollleuchten liefern wichtige Hinweise. Sie signalisieren:

### Startvorwahl erfolgt:

Wurde die Startvorwahl-Funktion Delay Timer (*siehe Seite 55*) aktiviert, und das Programm in Gang gesetzt, schaltet die Kontrollleuchte, die der eingestellten Zeitverschiebung entspricht, auf Blinklicht:



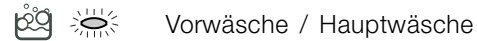
Nach und nach wird die bis zum effektiven Start noch verbleibende Zeit eingeblendet, die entsprechende Kontrollleuchte blinkt:



Nach Ablauf der vorgewählten Zeit erlischt die Kontrollleuchte und das gewählte Waschprogramm startet.


### Laufende Programmphase:

Während des Waschprogrammablaufs leuchten die Kontrollleuchten nach und nach auf und zeigen so den jeweiligen Stand an.



Anmerkung:

- Während des Abpumpens leuchtet die entsprechende Kontrollleuchte für die Schleuder auf.

- Ist der Trockenzyklus abgelaufen blinkt die der Phase  entsprechende Kontrollleuchte, um anzuzeigen, dass der Wählschalter TROCKNEN wieder auf Pos. **0** zurückzudrehen ist.

### Tasten FUNKTIONEN

Die Funktionstasten fungieren auch als Kontrollleuchten.

Bei Wahl einer Funktion leuchtet die entsprechende Taste auf.

Ist die gewählte Funktion nicht vereinbar mit dem eingestellten Programm, schaltet die Taste auf Blinklicht und die Funktion wird nicht aktiviert. Wird eine Funktion eingestellt, die zu der bereits eingestellten nicht zugeschaltet werden kann, bleibt nur die zuletzt gewählte aktiv.

### **Kontrollleuchte ON/FÜLLFENSTER GESPERRT**


Ist diese Kontrollleuchte eingeschaltet, bedeutet dies, dass das Füllfenster gesperrt ist. Um ungewolltes Öffnen zu vermeiden, warten Sie, bis die Leuchte auf Blinklicht umschaltet, bevor Sie das Fenster öffnen, um Schäden zu vermeiden.

! Ein gleichzeitiges, rasches Blinken der Kontrollleuchte ON/FÜLLFENSTER GESPERRT mit einer beliebigen anderen Kontrollleuchte signalisiert einen Fehler (*siehe Seite 59*).

# Inbetriebnahme und Programme


DE

## Kurz zusammengefasst: Waschprogramm starten




- Schalten Sie den Waschtrockner durch Druck auf die Taste  ein. Alle Kontrollleuchten leuchten für einige Sekunden auf, und erlöschen kurz darauf wieder. Die Kontrollleuchte ON/FÜLLFENSTER GESPERRT schaltet auf Blinklicht.
- Wäsche einfüllen und Füllfenster schließen.
- Stellen Sie das gewünschte Programm mittels des Wahlschalters PROGRAMME ein.
- Einstellen der Waschtemperatur (siehe Seite 55).

- Trockengang falls erforderlich einstellen (siehe Seite 55).
- Waschmittel und Zusätze einfüllen (siehe Seite 56).
- Programm durch Druck auf die Taste START/RESET in Gang setzen.

Um dieses zu löschen, Taste START/RESET für mindestens 2 Sekunden gedrückt halten.

- Ist das Waschprogramm abgelaufen schaltet die Kontrollleuchte ON/FÜLLFENSTER GESPERRT auf Blinklicht, was anzeigt, dass das Fenster geöffnet werden kann. Nehmen Sie die Wäsche heraus und lassen Sie das Füllfenster leicht offen stehen, damit die Trommel trocknen kann. Die Waschtrockner nun durch Druck auf die Taste  ausschalten.

## Programmtabelle

Gewebeart und Verschmutzungsgrad	Waschprogramme	Temperatur	Trocknen	Waschmittel		Weichspüler	Programmdauer ca. (Min.)	Beschreibung der Waschprogramme
				Vorw.	Hauptw.			
<b>Standard</b>								
<b>Baumwolle:</b> Stark verschmutzte Kochwäsche (Bettücher, Tischdecken usw.)	<b>1</b>	90°C	•	•	•	•	155	Vorwäsche, Hauptwäsche, Spülen, Zwischen- und Endschleudern
<b>Baumwolle:</b> Stark verschmutzte Kochwäsche (Bettücher, Tischdecken usw.)	<b>2</b>	90°C	•	-	•	•	150	Hauptwäsche, Spülen, Zwischen- und Endschleudern
<b>Baumwolle:</b> Weißwäsche und widerstandsfähige, stark verschmutzte Buntwäsche	<b>2</b>	60°C	•	-	•	•	140	Hauptwäsche, Spülen, Zwischen- und Endschleudern
<b>Baumwolle:</b> Weißwäsche und empfindliche, stark verschmutzte Buntwäsche	<b>2</b>	40°C	•	-	•	•	125	Hauptwäsche, Spülen, Zwischen- und Endschleudern
<b>Baumwolle:</b> Leicht verschmutzte Weißwäsche und empfindliche Buntwäsche (Oberhemden, Maschenware usw.)	<b>3</b>	40°C	•	-	•	•	85	Hauptwäsche, Spülen, Zwischen- und Endschleudern
<b>Synthetik:</b> Stark verschmutzte, farbechte Buntwäsche (Babywäsche usw.)	<b>4</b>	60°C	•	-	•	•	83	Hauptwäsche, Spülen, Knitterschutz oder sanftes Schleudern
<b>Synthetik:</b> Stark verschmutzte, farbechte Buntwäsche (Babywäsche usw.)	<b>4</b>	40°C	•	-	•	•	70	Hauptwäsche, Spülen, Knitterschutz oder sanftes Schleudern
Wolle	<b>5</b>	40°C	-	-	•	•	50	Hauptwäsche, Spülen, sanftes Schleudern
Sehr empfindliche Stoffe (Gardinen, Seide, Viskose, usw.)	<b>6</b>	30°C	-	-	•	•	45	Hauptwäsche, Spülen, Knitterschutz oder abpumpen
Trockengang für Baumwolle	<b>7</b>	-	•	-	-	-	-	
Trockengang für Feinwäsche	<b>8</b>	-	•	-	-	-	-	
<b>Time 4 you</b>								
<b>Baumwolle:</b> Weißwäsche und widerstandsfähige, stark verschmutzte Buntwäsche	<b>9</b>	60°C	-	-	•	•	60	Hauptwäsche, Spülen, Zwischen- und Endschleudern
<b>Synthetik:</b> Empfindliche Buntwäsche (leicht verschmutzte Wäsche aller Art).	<b>10</b>	40°C	-	-	•	•	40	Hauptwäsche, Spülen und sanftes Schleudern
<b>Synthetik:</b> Empfindliche Buntwäsche (leicht verschmutzte Wäsche aller Art).	<b>11</b>	30°C	•	-	•	•	30	Hauptwäsche, Spülen und sanftes Schleudern
<b>Sport</b>								
Sportschuhe (MAX. 2 Paar.)	<b>12</b>	30°C	-	-	•	•	50	Kaltwäsche (ohne Waschmittel), Hauptwäsche, Spülen und sanftes Schleudern
Stoffe für Sportbekleidung (Trainingsanzüge, Sportheosen usw.)	<b>13</b>	30°C	-	-	•	•	60	Hauptwäsche, Spülen, Zwischen- und Endschleudern
<b>TEILPROGRAMME</b>								
Spülen		-	•	-	-	•	-	Spülen und Schleudern
Schleudern		-	•	-	-	-	-	Abpumpen und Schleudern
Abpumpen		-	-	-	-	-	-	Abpumpen

## Anmerkungen

- Bei den Programmen 9 sollte eine Beladungsmenge von 3,5 kg nicht überschritten werden.
- Bei dem Programm 13 sollte eine Beladungsmenge von 2 kg nicht überschritten werden.
- Zum Knitterschutz: siehe "Bügelleicht", auf *nebenstehender Seite*. Bei den in der Tabelle aufgeführten Daten handelt es sich um Richtwerte.

## Spezialprogramm

**Schnelle Wäsche** (Programm 11 für Kunstfasern) Kurzprogramm für die tägliche Wäsche leicht verschmutzter Teile: in nur 30 Minuten, zur Einsparung von Zeit und Energie. Stellen Sie dieses Waschprogramm (11 bei 30°C) ein, dann können, bei einer maximalen Lademenge von 3 kg, Gewebe unterschiedlicher Art (mit Ausnahme von Wolle und Seide) zusammen gewaschen werden. *Es ist ratsam, flüssige Waschmittel einzusetzen.*

## Einstellen der Temperatur

Durch Drehen des Wahlschalters TEMPERATUR wird die Waschtemperatur eingestellt. (siehe Programmtabelle auf Seite 54). Die Temperatur kann bis auf Kaltwäsche (❄) herabgesetzt werden.

## Trockengang einstellen

Durch Drehen des Wählschalters TROCKNEN kann der gewünschte Trocknungsgrad eingestellt werden. Es stehen zwei Möglichkeiten zur Verfügung.

**A** - Je nach der Zeit: Von 40 bis 180 Minuten.

**B** - Je nach Feuchtigkeitsgrad der getrockneten Wäsche:

**Bügeltrocken** : noch leicht feuchte, einfach zu bügelnde Wäscheteile.

**Trocknen und aufhängen** : schrankfertige Wäsche.

**Schrantrocken** : absolut trockene Wäsche, empfohlen für Frotteetücher, Badetücher und -mäntel.

Dem Abschluss des Trocknungsvorgangs folgt eine kurze Abkühlzeit.

## Tabelle zur Dauer der Trockenprogramme

Bei den in der Tabelle aufgeführten Daten handelt es sich um Richtwerte.

Gewebeart	Art der Ladung	Max. Lademenge (kg)	Schrantrocknen	Trocknen und aufhängen	Bügeltrocken
Baumwolle, Leinen	Unterschiedlich große Wäscheteile	5	180	170	140
Baumwolle	Frotteehandtücher	5	180	170	140
Terital, Baumwolle	Bettwäsche, Oberhemden	3	140	120	100
Kunstfasern	Schlafanzüge, Socken usw.	1	70	65	60
Nylon	Feinwäsche, Damenstrümpfe usw.	1	70	65	60

Sollte die Ladung der Wäsche, die Sie waschen und trocknen möchten, die vorgegebene maximale Menge überschreiten (siehe seitliche Tabelle), dann stellen Sie zuerst das Waschprogramm ein, nach Ablauf desselben teilen Sie die Wäscheladung und geben nur einen Teil in die Trommel. Befolgen Sie daraufhin die Anleitungen des Abschnitts **Nur Trocknen**. Wiederholen Sie dasselbe nun mit der restlichen Wäschemenge.

## Nur Trocknen

Drehen Sie den PROGRAMM-Wählschalter auf einen der Trocknungszyklen (7-8), je nach Gewebe, und wählen Sie daraufhin mittels des Schalters TROCKNEN den gewünschten Trocknungsgrad:

**Wichtig:** - Während des Trocknens wird ein Schleudergang zwischengeschaltet, wenn eines der **Baumwollprogramme** und einer der **Trocknungsarten** (Schrantrocken , Trocknen und aufhängen , Bügeltrocken ) eingestellt wurde.  
- Bei Baumwollartikeln bis zu 1 Kg wählen Sie das Trockenprogramm für Fein Stoffe.

## Funktionen

Die verschiedenen Waschfunktionen, die Ihnen Ihr Waschtrockner bietet, ermöglichen es Ihnen, hygienisch saubere und weiße Wäsche zu erhalten, die Ihren Wünschen entsprechen. Aktivierung der Funktionen:

1. Die Taste der gewünschten Funktion gemäß untenstehender Tabelle drücken;
2. Das Einschalten bzw. Aufleuchten der entsprechenden Taste zeigt an, dass die Funktion aktiviert wurde.

Anmerkung: Sollte die Taste jedoch auf Blinklicht schalten, bedeutet dies, dass die Funktion zu dem eingestellten Programm nicht zugeschaltet werden kann.

Funktionen	Wirkung	Anleitungen zur Anwendung	Aktiv mit den Programmen:
<b>Startzeitvorwahl (Delay Timer)</b>	Start kann bis zu 9 Std. verschoben werden.	Drücken Sie die Taste so oft, bis die Kontrollleuchte der gewünschten Zeitverschiebung aufleuchtet. Ein fünfter Tastendruck deaktiviert die Funktion. NB: Ist die Taste START/RESET einmal gedrückt, kann der gewählte Zeitverschiebungswert nur noch herabgesetzt werden.	Alle
<b>Bügelleicht</b>	Reduziert die Knitterbildung und erleichtert so das Bügeln.	Wurde diese Funktion eingestellt, werden die Programme 4, 6, unterbrochen, das Wasser wird nicht abgepumpt, die Wäsche bleibt im Wasser liegen (Knitterschutz), und die Kontrollleuchte der Spülphase  schaltet auf Blinklicht: - um den Wäschgang zu beenden, Taste START/RESET drücken; - nur das Wasser abpumpen: Knopf auf das entsprechende Symbol  drehen und die Taste START/RESET drücken. <i>Wenn Sie Ihre Wäsche auch trocknen möchten, kann diese Funktion nur gleichzeitig mit der Trockenstufe  (Bügeltrocken) eingestellt werden.</i>	3, 4, 6, 9, 10, Spülen.
<b>Extra spülen</b>	Erhöht die Wirksamkeit des Spülgangs.	Empfehlenswert bei voller Gerätebeladung und hoher Waschmitteldosierung.	1, 2, 3, 4, 9, 10, 12, 13 Spülen.
<b>1000 500</b>	Verringert die Schleudergeschwindigkeit.		Alle, mit Ausnahme 6, 7, 8 und Abpumpen.



# Waschmittel und Wäsche

DE

## Waschmittelschublade

Ein gutes Waschergebnis hängt auch von einer korrekten Waschmitteldosierung ab: Eine zu hohe Dosierung bedeutet nicht unbedingt reinere Wäsche, sie trägt nur dazu bei, die Maschineninnenteile zu verkrusten und die Umwelt zu belasten.



Schublade herausziehen und Waschmittel oder Zusätze wie folgt einfüllen:

### In Kammer 1: Waschpulver für die Vorwäsche (kein Flüssigwaschmittel)

### In Kammer 2: Waschmittel für die Hauptwäsche (Waschpulver oder Flüssigwaschmittel)

Flüssigwaschmittel nur kurz vor dem Start einfüllen.

### In Kammer 3: Zusätze (Weichspüler usw.)

Der Weichspüler darf das Gitter nicht übersteigen.

! Verwenden Sie keine Handwaschmittel, sie verursachen eine zu hohe Schaumbildung.

## Vorsortieren der Wäsche

- Sortieren Sie die Wäsche nach:
  - Gewebart / Waschetikettensymbol
  - und Farben: Buntwäsche von Weißwäsche trennen.
- Entleeren Sie alle Taschen.
- Das angegebene Gewicht, das sich auf die maximale Ladung an Trockenwäsche bezieht, sollte nicht überschritten werden:
  - Widerstandsfähige Gewebe: max 6 kg
  - Kunstfasergewebe: max 2,5 kg
  - Feinwäsche: max 2 kg
  - Wolle: max 1,5 kg

### Wie schwer ist Wäsche?

- 1 Bettuch 400-500 gr
- 1 Kissenbezug 150-200 gr
- 1 Tischdecke 400-500 gr
- 1 Bademantel 900-1.200 gr
- 1 Handtuch 150-250 gr

## Besondere Wäscheteile

**Gardinen:** Gardinen zusammengefaltet in einem Kissenbezug oder in einem netzartigen Beutel waschen. Waschen Sie diese allein, ohne das Gesamtgewicht für halbe Füllung zu übersteigen. Stellen Sie das Programm 6 ein, das ein automatisches Ausschließen der Schleuder vorsieht.

**Skijacken und Anoraks:** Sind diese mit Gänse- oder Daunenfedern gefüllt, können sie im Wäschetrockner gewaschen werden. Ziehen Sie die Teile auf links, achten Sie auf eine maximale Beladung von 2/3 kg, wiederholen Sie 2/3 Spülgänge und stellen Sie die Schleuder auf Schonschleudern ein.

**Wolle:** Verwenden Sie Spezialwaschmittel; Ladungsmenge von 1,5 kg bitte nicht überziehen.



! Der Wäschetrockner wurde nach den strengsten internationalen Sicherheitsvorschriften entworfen und gebaut. Nachstehende Hinweise werden aus Sicherheitsgründen geliefert und sollten aufmerksam gelesen werden.

## Allgemeine Sicherheit

- Dieses Gerät wurde für den nicht professionellen Einsatz im privaten Haushalt konzipiert und seine Funktionen dürfen nicht verändert werden.
- Der Wäschetrockner darf nur von Erwachsenen und gemäß den Anleitungen dieses Handbuchs bedient werden.
- Berühren Sie das Gerät nicht, wenn Sie barfuß sind, und auch nicht mit nassen oder feuchten Händen oder Füßen.
- Ziehen Sie den Gerätestecker nicht am Kabel aus der Steckdose, sondern nur am Stecker selbst.
- Öffnen Sie die Waschmittelschublade nicht, wenn das Gerät in Betrieb ist.
- Berühren Sie nicht das Ablaufwasser, es kann sehr heiß sein.
- Öffnen Sie das Füllfenster nicht mit Gewalt: Der Sicherheits-Schließmechanismus könnte hierdurch beschädigt werden.
- Bei etwaigen Störungen versuchen Sie bitte nicht, Innenteile selbst zu reparieren.
- Halten Sie Kinder stets von dem in Betrieb befindlichen Gerät fern.
- Während des Waschgangs kann das Füllfenster sehr heiß werden.
- Muss der Wäschetrockner versetzt werden, sollten hierfür mindestens 2/3 Personen verfügbar sein. (Vorsichtig vorgehen). Versuchen Sie es niemals allein, das Gerät ist äußerst schwer.
- Vergewissern Sie sich, dass die Trommel völlig leer ist, bevor Sie die Wäsche einfüllen.
- Während des Trocknens kann die Gerätetür heiß werden.
- Trocknen Sie keine Wäsche, die in brennbaren Lösemitteln (wie Trielin) gewaschen wurde.
- Trocknen Sie weder Schaumgummi noch ähnliche Elastomer bzw. Gummimaterialien.
- Vergewissern Sie sich, dass der Wasserhahn während des Trocknens auf ist.
- Dieser Wäschetrockner kann nur zum Trocknen von in Wasser gewaschener Wäsche eingesetzt werden.

## Entsorgung

- Entsorgung des Verpackungsmaterials: Befolgen Sie die lokalen Vorschriften, Verpackungsmaterial kann wiederverwertet werden.
- Gemäß der Europäischen Richtlinie 2002/96/EC über Elektro- und Elektronik-Altgeräte dürfen Elektro-

haushalts-Altgeräte nicht über den herkömmlichen Haushaltsmüllkreislauf entsorgt werden. Altgeräte müssen separat gesammelt werden, um die Wiederverwertung und das Recycling der beinhalteten Materialien zu optimieren und die Einflüsse auf die Umwelt und die Gesundheit zu reduzieren. Das Symbol „durchgestrichene Mülltonne“ auf jedem Produkt erinnert Sie an Ihre Verpflichtung, dass Elektrohaushaltsgeräte gesondert entsorgt werden müssen.

Endverbraucher können sich an Abfallämter der Gemeinden wenden, um mehr Informationen über die korrekte Entsorgung ihrer Elektrohaushaltsgeräte zu erhalten.

## Energie sparen und Umwelt schonen

### Technologie im Dienste der Umwelt

Glauben Sie, durch das Füllfenster hindurch wenig Wasser zu sehen? Dank der neuen Indesit-Technik genügt die halbe Wassermenge für eine maximale Sauberkeit: eine Maßnahme die zum Schutze der Umwelt angestrebt wurde.

### Waschmittel, Wasser, Energie und Zeit sparen

- Verschwendung von Strom, Wasser, Waschmittel und Zeit kann man vermeiden, indem man die Wäschetrockner mit der empfohlenen Höchstwäschemenge benutzt. Bei einer vollen Auslastung Ihres Wäschetrockners können Sie bis zu 50% Energie sparen.
- Vorwäsche ist nur bei stark verschmutzter Wäsche erforderlich. Durch Vermeidung einer solchen kann Waschmittel, Zeit, Wasser und 5-15% Energie gespart werden.
- Flecken sollten mit einem Fleckenmittel vorbehandelt werden, oder weichen Sie die Wäsche vor der Wäsche ein. Hierdurch können hohe Waschttemperaturen vermieden werden. Ein 60°C-Programm anstelle eines 90°C-Programms, oder ein 40°C-Programm anstelle eines 60°C-Programms hilft bis zu 50% Energie zu sparen.
- Dosieren Sie Waschmittel sparsam je nach Wasserhärte, Verschmutzungsgrad und Wäschemenge, um die Umwelt nicht über Gebühr zu belasten: obwohl sie biologisch abbaubar sind, beinhalten Sie dennoch Stoffe, die die Umwelt belasten. Auch Weichmacher sollten höchst sparsam eingesetzt werden.
- Waschen Sie am späten Nachmittag oder in den ersten Morgenstunden, hierdurch tragen sie dazu bei, die Belastung der Elektrizitätswerke zu mindern. Die Funktion ‚Startvorwahl‘ (siehe Seite 55) hilft Ihnen in dieser Hinsicht außerordentlich.
- Soll die Wäsche in einem Wäschetrockner getrocknet werden, dann stellen Sie eine hohe Schleudergeschwindigkeit ein. Je trockener die Wäsche geschleudert wird, desto niedriger ist der zum Trocknen erforderliche Energieverbrauch.

# Reinigung und Pflege

DE

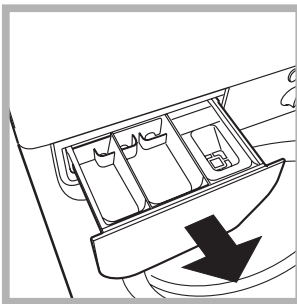
## Wasser- und Stromversorgung abstellen

- Wasserhahn nach jedem Waschvorgang zudrehen. Hierdurch wird der Verschleiß der Wasseranlage verringert und Wasserlecks vorgebeugt.
- Ziehen Sie den Stecker aus der Steckdose, bevor Sie Ihren Waschtrockner reinigen.

## Reinigung des Gerätes

Die Gehäuseteile und die Teile aus Gummi können mit einem mit warmer Spülmittellauge angefeuchteten Tuch gereinigt werden. Vermeiden Sie Löse- und Scheuermittel.

## Reinigung der Waschmittelschublade



Heben Sie die Schublade leicht an und ziehen Sie sie nach vorne hin heraus (siehe Abbildung). Spülen Sie diese regelmäßig unter fließendem Wasser gründlich aus.

## Pflege der Gerätetür und Trommel

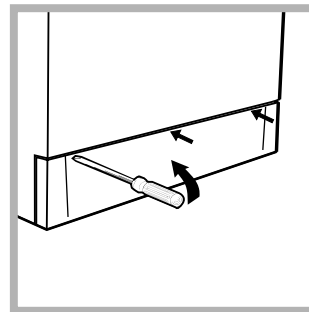
- Lassen Sie die Füllfenstertür stets leicht offen stehen, um die Bildung unangenehmer Gerüche zu vermeiden.

## Reinigung der Pumpe

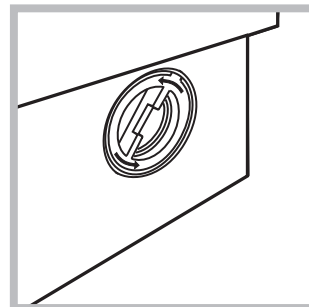
Ihr Gerät ist mit einer selbstreinigenden Pumpe ausgerüstet, eine Wartung ist demnach nicht erforderlich. Es könnte doch einmal vorkommen, dass kleine Gegenstände (Münzen, Knöpfe) in die zum Schutz der Pumpe dienende Vorkammer (befindlich unter der Pumpe) fallen. ! Vergewissern Sie sich, dass der Waschgang abgeschlossen ist und ziehen Sie den Stecker heraus.

! Vergewissern Sie sich, dass der Waschgang abgeschlossen ist und ziehen Sie den Stecker heraus.

Zugang zur Vorkammer:



1. Die Abdeckung (befindlich an der Gerätefront) mit Hilfe eines Schraubenziehers abnehmen (siehe Abbildung);



2. den Deckel gegen den Uhrzeigersinn abdrehen (siehe Abbildung): es ist ganz normal, wenn etwas Wasser austritt;

3. das Innere gründlich reinigen;
4. den Deckel wieder aufschrauben;
5. die Abdeckung wieder anbringen. Stellen Sie hierbei sicher, dass die Haken in die Schlitze eingreifen, bevor Sie die Abdeckung fest andrücken.

## Kontrolle des Wasserzulaufschlauchs

Kontrollieren Sie den Zulaufschlauch mindestens einmal im Jahr. Weist er Risse bzw. Brüche auf, muss er ausgetauscht werden. Der starke Druck während des Waschprogramms könnte zu plötzlichem Platzen führen.

! Verwenden Sie niemals bereits gebrauchte Schläuche.

Es kann immer einmal vorkommen, dass Ihr Waschtrockner nicht funktioniert. Bevor Sie sich an den Technischen Kundendienst wenden (*siehe Seite 60*), vergewissern Sie sich zuerst, ob es sich nicht um eine Kleinigkeit handelt, die Sie selbst beheben können. Ziehen Sie hierzu nachstehendes Verzeichnis zu Rate.

## Störungen:

**Der Waschtrockner schaltet sich nicht ein.**

**Der Waschgang startet nicht.**

**Der Waschtrockner lädt kein Wasser.**

**Der Waschtrockner lädt laufend Wasser und pumpt es laufend ab.**

**Der Waschtrockner pumpt nicht ab und schleudert nicht.**

**Der Waschtrockner vibriert zu stark während des Schleuderns.**

**Der Waschtrockner ist undicht.**

**Die Kontrollleuchte ON/FÜLL-FENSTER GESPERRT und mindestens eine weitere Kontrollleuchte blinken in raschen Abständen.**

**Es bildet sich zu viel Schaum.**

**Der Waschtrockner trocknet nicht.**

## Mögliche Ursachen / Lösungen:

- Der Stecker steckt nicht in der Steckdose, oder nicht so, dass der Kontakt hergestellt wird.
- Der Strom ist ausgefallen.
- Das Füllfenster ist nicht richtig geschlossen.
- Die Taste (I) wurde nicht gedrückt.
- Die Taste START/RESET wurde nicht gedrückt.
- Der Wasserhahn ist nicht auf.
- Es wurde ein verzögerter Start gewählt (Delay Timer, *siehe Seite 55*).
- Der Zufuhrschlauch ist nicht am Wasserhahn angeschlossen.
- Der Schlauch ist geknickt.
- Der Wasserhahn ist nicht auf.
- Es ist kein Wasser da.
- Der Druck ist unzureichend.
- Die Taste START/RESET wurde nicht gedrückt.
- Der Ablaufschlauch befindet sich nicht auf der vorgeschriebenen Höhe, d.h. 65 - 100 cm vom Boden (*siehe Seite 51*).
- Das Schlauchende liegt unter Wasser (*siehe Seite 51*).
- Der Mauerablauf wurde nicht mit einer Entlüftungsöffnung versehen. Konnte die Störung durch diese Kontrollen nicht behoben werden, dann drehen Sie den Wasserhahn zu, schalten das Gerät aus und fordern den Kundendienst an. Falls Sie in einer der obersten Etagen eines Gebäudes wohnen, kann es vorkommen, dass sich im Syphon ein Vakuum bildet, und der Waschtrockner ständig Wasser ansaugt und wieder abpumpt. Zur Lösung dieser Probleme bietet der Handel spezielle Syphonventile.
- Das Programm siehe kein Abpumpen vor: bei einigen Programmen muss diese Funktion manuell gestartet werden (*siehe Seite 54*).
- Die funktion ‚Bügelleicht‘ wurde eingestellt: zur Beendigung des Programms Taste START/RESET drücken (*siehe Seite 55*).
- Der Ablaufschlauch ist geknickt (*siehe Seite 51*).
- Die Ablaufleitung ist verstopft.
- Die Trommel wurde bei der Installation nicht korrekt befreit (*siehe Seite 50*).
- Der Waschtrockner steht nicht eben (*siehe Seite 50*).
- Der Waschtrockner steht zu eng zwischen der Wand und einem Möbel (*siehe Seite 50*).
- Der Zulaufschlauch wurde nicht ordnungsgemäß aufgeschraubt (*siehe Seite 50*).
- Die Waschmittelschublade ist verstopft (*zur Reinigung siehe Seite 58*).
- Der Ablaufschlauch wurde nicht ordnungsgemäß befestigt (*siehe Seite 51*).
- Schalten Sie das Gerät aus und ziehen Sie den Netzstecker; warten Sie daraufhin ca. 1 Minute und schalten Sie es wieder ein. Bleibt die Störung bestehen, kontaktieren Sie bitte den Kundendienst.
- Das Waschmittel ist für Waschmaschinen nicht geeignet (es muss mit der Aufschrift "Für Waschmaschinen", "Für Handwäsche und Waschmaschinen" usw. versehen sein).
- Es wurde zu hoch dosiert.
- Der Stecker steckt nicht in der Steckdose, oder nicht so, dass der Kontakt hergestellt wird.
- Der Strom ist ausgefallen.
- Das Füllfenster ist nicht richtig geschlossen.
- Es wurde ein verzögerter Start gewählt (Delay Timer, *siehe Seite 55*).
- Der Wählschalter TROCKNEN befindet sich auf Position 0.

# Kundendienst

---

DE

## **Bevor Sie sich an den Kundendienst wenden:**

- Kontrollieren Sie zuerst, ob das Problem nicht allein gelöst werden kann (*siehe Seite 59*);
- Starten Sie das Programm erneut, um sicherzustellen, dass die Störung auch wirklich behoben wurde;
- Ist dies nicht der Fall, dann kontaktieren Sie den autorisierten Kundendienst unter der auf dem Garantieschein aufgedruckten Telefonnummer.

! Wenden Sie sich auf keinen Fall an nicht autorisierte Techniker.

## **Geben Sie bitte Folgendes an:**

- die Art der Störung;
- das Maschinenmodell (Mod.);
- die Seriennummer (S/N).

Diese Daten entnehmen Sie bitte dem auf der Rückseite der Maschine befindlichen Typenschild.

# Instruções para utilização

## MÁQUINA DE LAVAR E SECAR

PT

PT

Português

WIDXL 106

### Sumário

#### Instalação, 62-63

Desembalar e nivelar  
Ligações hidráulicas e eléctricas  
Primeiro ciclo de lavagem  
Dados técnicos

#### Descrição da Máquina de lavar e secar, 64-65

Painel de comandos  
Indicadores luminosos

#### Início e Programas, 66

Como iniciar um programa  
Tabela dos programas

#### Personalizações, 67

Selecione a temperatura  
Programar a secagem  
Funções

#### Detergentes e roupa, 68

Gaveta dos detergentes  
Preparar a roupa  
Roupas especiais

#### Precauções e conselhos, 69

Segurança geral  
Eliminação  
Economizar e respeitar o meio ambiente

#### Manutenção e cuidados, 70

Interromper a alimentação de água e de corrente eléctrica  
Limpar a Máquina de lavar e secar  
Limpar a gaveta dos detergentes  
Cuidados com a porta de vidro e o tambor  
Limpar a bomba  
Verificar o tubo de alimentação de água

#### Anomalias e soluções, 71

#### Assistência, 72

Antes de contactar a Assistência Técnica

 **INDESIT**

# Instalação

PT

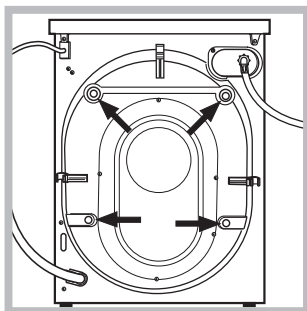
! É importante guardar este manual para poder consultá-lo a qualquer momento. Se a máquina for vendida, cedida ou transferida, certifique-se que este manual permaneça com a máquina para informar o novo proprietário acerca do seu funcionamento e das respectivas advertências.

! Leia com atenção estas instruções: contém informações importantes acerca da instalação, da utilização e da segurança.

## Desembalar e nivelar

### Desembalar

1. Tire a Máquina de lavar e secar da embalagem.
2. Verifique se a Máquina de lavar e secar sofreu danos no transporte. Se estiver danificada não efectue a sua ligação e contacte o revendedor.



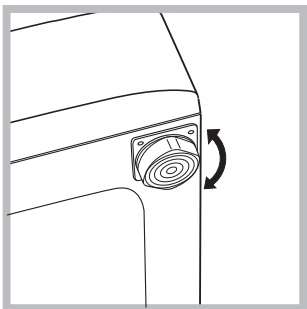
3. Tire os 4 parafusos para protecção no transporte e a borrachinha com o respectivo calço, situados na parte traseira (veja a figura).

4. Tampe os furos com as tampas em plástico fornecidas.
5. Guarde todas as peças: se for necessário transportar a Máquina de lavar e secar, terão de ser montadas outra vez.

! Embalagens não são brinquedos para as crianças.

### Nivelamento

1. Instale a Máquina de lavar e secar sobre um pavimento plano e rígido, sem encostá-la a paredes, móveis ou outros.

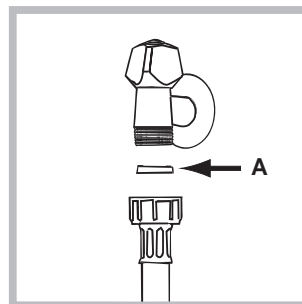


2. Se o pavimento não for perfeitamente horizontal, para compensar qualquer irregularidade, desatarraxe ou atarraxe os pés dianteiros (veja a figura); o ângulo de inclinação, medido no plano de trabalho, não deve ultrapassar 2°.

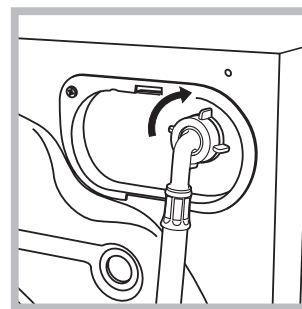
Um cuidadoso nivelamento dá estabilidade à máquina e evita vibrações, ruídos e deslocamentos durante o funcionamento. Se tiver tapete ou alcatifa, regule os pés de modo a que por baixo da Máquina de lavar e secar haja espaço suficiente para ventilação.

## Ligações hidráulicas e eléctricas

### Ligação do tubo de alimentação da água



1. Coloque a guarnição A na ponta do tubo de alimentação e atarraxe-o a uma torneira de água fria com bocal de rosca de 3/4 (veja a figura). Antes de realizar esta ligação, deixe a água escorrer até estar límpida.



2. Ligue o tubo de alimentação na Máquina de lavar e secar atarraxado no apropriado fornecimento da água, na parte traseira, em cima à direita (veja a figura).

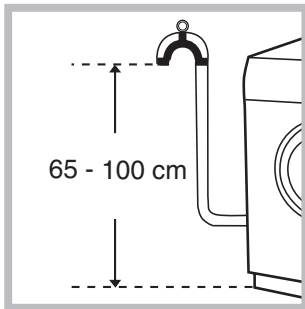
3. Tome cuidado para o tubo não ser dobrado nem esmagado.

! A pressão hídrica da torneira deve ser entre os valores da tabela dos dados técnicas (veja a página ao lado).

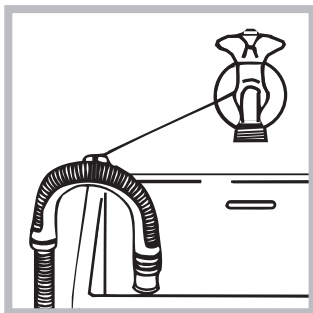
! Se o comprimento do tubo de alimentação não for suficiente, contacte uma oficina especializada ou um técnico autorizado.

! Nunca utilize tubos já usados.

### Ligação do tubo de descarga



Ligue o tubo de descarga, sem dobrá-lo, a uma conduta de descarga ou a uma descarga na parede situada entre 65 e 100 cm. de altura do chão;



ou coloque na beira de um lavabo ou de uma banheira, prenda na torneira a guia fornecida (veja a figura). A ponta solta do tubo de descarga não deve permanecer emergida na água.

! É desaconselhado empregar tubos de extensão; mas se for indispensável, a extensão deve ter o mesmo diâmetro do tubo original e não medir mais de 150 cm. de comprimento.

### Ligação eléctrica

Ante de ligar a ficha na tomada eléctrica, certifique-se que:

- a tomada tenha uma ligação à terra e que esteja nos termos da legislação;
- a tomada tem capacidade para suportar a carga máxima de potência da máquina, indicada na tabela de dados técnicos (veja ao lado);
- a tensão de alimentação seja entre os valores indicados na tabela de dados técnicos (veja ao lado);
- a tomada seja compatível com a ficha da Máquina de lavar e secar. Se não for, substitua a tomada ou a ficha.

! Esta Máquina de lavar e secar não deve ser instalada ao ar livre, nem mesmo abrigada, porque é muito perigoso deixá-la exposta à chuva e às tempestades.

! Depois de ter instalado a Máquina de lavar e secar, o acesso à tomada eléctrica deve ser fácil.

! Não empregue extensões nem fichas múltiplas.

! O cabo não deve ser dobrado nem apertado.



! O cabo de alimentação deve ser substituído somente por técnicos autorizados.

Atenção! O fabricante declina toda a responsabilidade se estas regras não forem respeitadas.

### Primeiro ciclo de lavagem

Depois da instalação, antes de usar, efectue um ciclo de lavagem com detergente mas sem roupa, defina o programa de 90°C sem pré-lavagem.

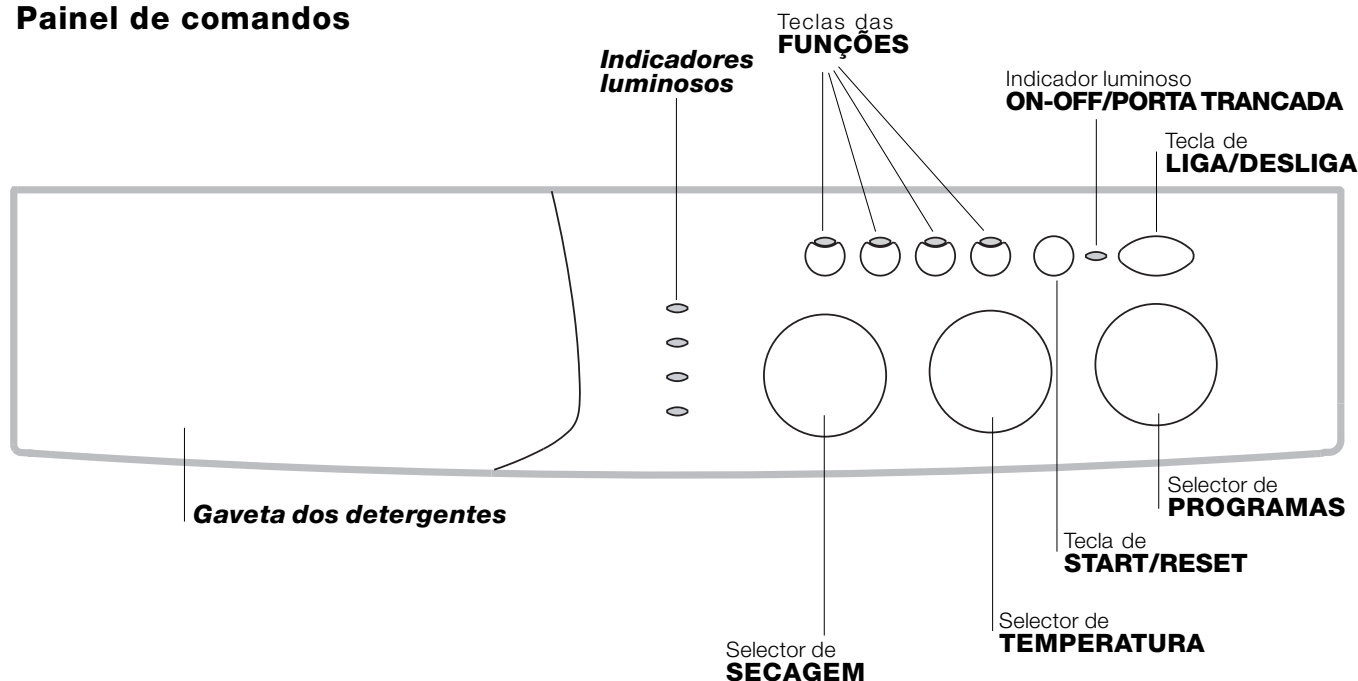
### Dados técnicos

<b>Modelo</b>	WIDLX 106
<b>Medidas</b>	largura 59,5 cm. altura 85 cm. profundidade 53,5 cm.
<b>Capacidade</b>	de 1 a 6 kg para a lavagem; de 1 a 5 kg para a secagem
<b>Ligações eléctricas</b>	veja a placa das características técnicas colocada na máquina
<b>Ligações hídricas</b>	pressão máxima 1 MPa (10 bars) pressão mínima 0,05 MPa (0,5 bar) capacidade do tambor 52 litros
<b>Velocidade da centrifugação</b>	até 1.000 rotações por minuto
<b>Programas de controlo segundo a norma EN 50229</b>	<b>lavagem:</b> programa 2; temperatura 60°C; realizado com carga de 6 kg. <b>secagem:</b> primeira secagem efectuada com 1 kg de carga seleccionando um tempo de 60 min; segunda secagem efectuada com 5 kg de carga e o selector de SECAGEM sobre a posição  .
 	Esta aparelhagem é em conformidade com as seguintes Directivas Comunitárias: - 89/336/CEE dl 03/05/89 (Compatibilidade Electromagnética) e posteriores modificações. - 2002/96/CE - 2006/95/CE (Baixa Tensão)

# Descrição da Máquina de lavar e secar

PT

## Painel de comandos



**Gaveta dos detergentes:** para carregar detergentes e aditivos (veja a pág. 68).

**Indicadores luminosos:** Indicam a fase do programa de lavagem. Se tiver sido seleccionada a função Delay Timer, indicarão o tempo que falta para iniciar o programa (veja a pág. 65).

Selector de **SECAGEM:** para programar a secagem desejada (ver pág. 67).

Teclas das **FUNÇÕES:** para seleccionar as funções disponíveis. A tecla correspondente à função seleccionada permanecerá acesa.

Selector da **TEMPERATURA:** para definir a temperatura ou a lavagem a frio (veja a pág. 67).

Tecla de **START/RESET:** para iniciar os programas ou apagar programações erradas.

Indicador luminoso **ON-OFF /PORTA TRANCADA:** para saber se a Máquina de lavar e secar está ligada e se é possível abri-la (veja a pág. 65).

Tecla **LIGA/DESLIGA:** para ligar e desligar a Máquina de lavar e secar.

Selector de **PROGRAMAS:** para escolher os programas. Durante o programa o selector permanece parado.

**Observações:** Para evitar vibrações excessivas, antes de cada centrifugação, a máquina distribui a carga de maneira uniforme, isto é realizado efectuando rotações contínuas do tambor a uma velocidade ligeiramente superior à da lavagem.

Quando, apesar de várias tentativas, a carga não estiver perfeitamente distribuída, a máquina efectuará a centrifugação a uma velocidade inferior à programada.

Em presença de desequilíbrio excessivo, a máquina efectua a distribuição em vez da centrifugação.

As eventuais tentativas de equilibrar podem alongar a duração total do ciclo até 10 minutos no máximo.



## Indicadores luminosos

Os indicadores luminosos fornecem informações importantes.

Vejamos o que significam:

### Atraso definido:

Se tiver sido activada a função Delay Timer (veja a *pág. 67*), e após o início do programa, começará a lampejar o indicador luminoso relativo ao atraso seleccionado:



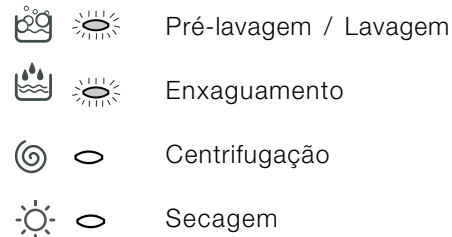
Com o passar do tempo será mostrado o atraso restante, mediante o respectivo indicador luminoso aceso e intermitente:



Depois de ter passado o tempo de atraso seleccionado, o indicador luminoso intermitente irá desligar-se e começará o programa estabelecido.

### Fase em curso:

Durante o ciclo de lavagem os indicadores luminosos acender-se-ão progressivamente para indicar a fase do programa:



### Observação:

- durante a fase de descarga acender-se-á o indicador luminoso correspondente à fase de Centrifugação.

- no final do ciclo de secagem, o led relativo à fase de Secagem irá lampejar, para indicar que é preciso recolocar o selector de SECAGEM sobre a posição **0**.

### Teclas das funções

AS TECLAS DAS FUNÇÕES também funcionam como indicadores luminosos.

Se seleccionar uma função a respectiva tecla acender-se-á.

Se a função seleccionada não for compatível com o programa definido, a tecla ficará intermitente e a função não será activada.

Se for seleccionada uma função incompatível com outra anteriormente seleccionada, permanecerá activa somente a última seleccionada.

### Indicador luminoso ON-OFF/PORTA TRANCADA:

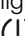
O indicador luminoso aceso indica que a porta está trancada para impedir aberturas acidentais; para evitar danos é necessário aguardar que o indicador luminoso esteja intermitente antes de abrir a porta.

! O indicador luminoso ON-OFF/PORTA TRANCADA piscando rápida e intermitentemente, juntamente com outro indicador luminoso indica uma anomalia (*ver [pág. 71](#)*).

# Início e Programas


PT

## Como iniciar um programa




1. Para ligar a Máquina de lavar e secar, carregue na tecla . Todos os indicadores luminosos acender-se-ão alguns segundos e, em seguida, se apagarão e o indicador luminoso ON-OFF/PORTA TRANCADA ficará intermitente.
2. Coloque dentro a roupa e feche.
3. Seleccione através do selector de PROGRAMAS o programa que desejar.
4. Seleccione a temperatura de lavagem (veja a pág. 67).

5. Programar a secagem, se for necessário (ver pág. 67).
6. Coloque o detergente e os aditivos (veja a pág. 68).
7. Para iniciar o programa carregue na tecla START/RESET.

Para anular mantenha pressionada a tecla START/RESET pelo menos 2 segundos.

8. No final do programa, o indicador luminoso ON-OFF/PORTA TRANCADA passará a intermitente para indicar que a porta pode ser aberta. Tire a roupa lavada de dentro e deixe a porta entreaberta para que o tambor seque. Para desligar a Máquina de lavar e secar, carregue na tecla .

## Tabela dos programas

Natureza dos tecidos e da sujidade	Programas	Temperatura	Secagem	Detergente		Amaciador	Duração do ciclo (minutos)	Descrição do ciclo de lavagem
				pré-lav.	lavag.			
<b>Padrão</b>								
<b>Algodão:</b> Brancos muito sujos (lençóis, toalhas etc.)	1	90°C	•	•	•	•	155	Pré-lavagem, lavagem, enxaguamentos, centrifugações intermediárias e final
<b>Algodão:</b> Brancos muito sujos (lençóis, toalhas etc.)	2	90°C	•		•	•	150	Lavagem, enxaguamentos, centrifugações intermediárias e final
<b>Algodão:</b> Brancos e coloridos resistentes muito sujos	2	60°C	•		•	•	140	Lavagem, enxaguamentos, centrifugações intermediárias e final
<b>Algodão:</b> Brancos e coloridos delicados muito sujos	2	40°C	•		•	•	125	Lavagem, enxaguamentos, centrifugações intermediárias e final
<b>Algodão:</b> Brancos pouco sujos e cores delicadas (camisas, camisolas etc.)	3	40°C	•		•	•	85	Lavagem, enxaguamentos, centrifugações intermediárias e final
<b>Sintéticos:</b> Coloridos resistentes muito sujos (roupas de bebé etc.)	4	60°C	•		•	•	83	Lavagem, enxaguamentos, anti-dobras ou centrifugação delicada
<b>Sintéticos:</b> Coloridos resistentes muito sujos (roupas de bebé etc.)	4	40°C	•		•	•	70	Lavagem, enxaguamentos, anti-dobras ou centrifugação delicada
Lã	5	40°C			•	•	50	Lavagem, enxaguamentos e centrifugação delicada
Tecidos muito delicados (cortinas, seda, viscose etc.)	6	30°C			•	•	45	Lavagem, enxaguamentos, anti-dobras ou descarga
Secagem para tecidos de algodão	7		•					
Secagem para tecidos delicados	8		•					
<b>Time 4 you</b>								
<b>Algodão:</b> Brancos e coloridos resistentes muito sujos	9	60°C			•	•	60	Lavagem, enxaguamentos, centrifugações intermediárias e final
<b>Sintéticos:</b> Cores delicadas (roupas de todos os tipos ligeiramente sujas)	10	40°C			•	•	40	Lavagem, enxaguamentos e centrifugação delicada
<b>Sintéticos:</b> Cores delicadas (roupas de todos os tipos ligeiramente sujas)	11	30°C	•		•	•	30	Lavagem, enxaguamentos e centrifugação delicada
<b>Desporto</b>								
Calçados desportivos (MÁX. 2 pares.)	12	30°C			•	•	50	Lavagem a frio (sem detergente), lavagem, enxaguamentos e centrifugação delicada
Tecidos de vestuário desportivo (fatos de treino, calções etc.)	13	30°C			•	•	60	Lavagem, enxaguamentos, centrifugações intermediárias e final
<b>PROGRAMAS PARCIAIS</b>								
Enxaguamento			•			•		Enxaguamentos e centrifugação
Centrifugação			•					Descarga e centrifugação
Descarga								Descarga

## Observações

- Para os programas 9 é aconselhável que a roupa a ser lavada não ultrapasse 3,5 kg.
- Para o programa 13 é aconselhável não ultrapassar uma carga de 2 kg. de roupa.
- Para seleccionar a opção anti-rugas: veja Engomar Fácil, na página ao lado. Os dados apresentados na tabela têm valor indicativo.

## Programa especial

*Diário 30'* (programa 11 para Sintéticos) foi estudado para lavar peças levemente sujas em pouco tempo; dura apenas 30 minutos e, desta maneira, economiza energia e tempo. Se regular o programa (11 a 30°C) será possível lavar juntos tecidos de natureza diferente (excepto lã e seda), com uma carga máxima de 3 Kg. *Aconselhamos a utilização de detergente líquido.*

## Seleccione a temperatura

Gire o selector da TEMPERATURA para seleccionar a temperatura de lavagem (veja a Tabela dos programas na pág. 66). A temperatura pode ser diminuída até à lavagem a frio (❄).

## Programar a secagem

Rodando o selector de SECAGEM programa-se o tipo de secagem desejado. São previstas duas possibilidades:

**A** - Em base ao tempo: De 40 até 180 minutos.

**B** - Em base ao nível de humidade das peças enxutas:

**Passar** : peças ligeiramente húmidas, fáceis de passar.

**Secar e pendurar** : peças enxutas para serem guardadas.

**Armário** : peças muito enxutas, aconselhado para toalhas e roupões de banho.

Quando acabar de enxugar, há um período de arrefecimento.

Se, excepcionalmente, a carga de roupa a lavar e secar for superior ao máximo previsto (ver tabela ao lado), efectuar a lavagem, e quando o programa for terminado, separar a carga e colocar uma parte da mesma no cestinho. A este ponto, seguir as instruções para efectuar **apenas a secagem**. Repetir as mesmas operações para a carga restante.

## Somente secagem

Rodar o selector de PROGRAMAS sobre uma das posições de secagem (7-8) em função do tipo de tecido, pois seleccionar o tipo de secagem desejado com o selector de SECAGEM.

**Importante:** - Quando estiver a enxugar, será realizada uma centrifugação, se tiver definido um **dos programas para algodão** e um dos **níveis para enxugar** (Armário , Secar e pendurar , Passar ).

- Para cargas de algodão de menos de 1 Kg., utilize o programe de enxugar correspondente a tecidos delicados.

## Funções

As várias funções de lavagem da Máquina de lavar e secar possibilitam obter a máxima limpeza e branquear o que desejar. Para activar as funções:

- carregue na tecla correspondente à função que desejar, segundo a tabela abaixo;
- a respectiva tecla acende-se para avisar que a função está activa.

Observação: Se a tecla acender intermitentemente, significa que a respectiva função não pode ser seleccionada para o programa definido.

Funções	Efeito	Observações para utilização	Possível nos programas:
 Delay Timer	Possibilita a programação do início da lavagem até 9 horas.	Carregue várias vezes na tecla até acender o indicador luminoso correspondente ao atraso desejado. A quinta vez que carregar na tecla, a função desactivar-se-á. Obs.: Depois de ter carregado na tecla Start/Reset, é possível mudar o valor do atraso, mas somente para diminuí-lo.	Todos
 Engomar Fácil	O tecido sairá menos amarrotado e mais fácil de engomar.	Se esta função for seleccionada, os programas 4, 6 interromper-se-ão, ficando a roupa de molho (Anti-rugas) e o indicador luminoso da fase Enxaguamento  acenderá intermitentemente: - para completar o ciclo carregue na tecla START/RESET; - para efectuar apenas uma descarga, coloque o selector no correspondente símbolo  e carregue na tecla START/RESET.  <i>Se também desejar enxugar, este botão estará activado somente em combinação com o nível  (Passar).</i>	3, 4, 6, 9, 10, Enxaguamentos
 Enxaguamento Extra	Aumenta a eficácia do enxaguamento	É aconselhável se a máquina de lavar roupa estiver muito cheia ou com uma grande dose de detergente.	1, 2, 3, 4, 9, 10, 12, 13, Enxaguamentos
1000-500	Reduz a velocidade de centrifugação.		Todos os programas excepto o 6, 7, 8 e a descarga.

Tabela dos tempos de secagem

Os dados apresentados na tabela têm valor indicativo.

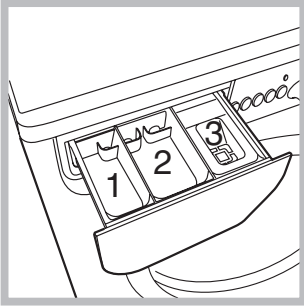
Tipo de tecido	Tipo de caga	Carga máx. (kg.)	Armário	Secar e pendurar	Passar
Algodão, Linho	Peças de vários tamanhos	5	180	170	140
Algodão	Toalhas felpudas	5	180	170	140
Terital Algodão	Lençóis, Camisas	2,5	140	120	100
Acrílicos	Pijamas, peúgas etc.	1	70	65	60
Nylon	Roupa interior, meias etc.	1	70	65	60

# Detergentes e roupa

PT

## Gaveta dos detergentes

O bom resultado da lavagem depende também do uso da dose certa de detergente: com excessos não se lava melhor, e contribui-se quer para a formação de incrustações nas peças internas da máquina de lavar, quer para a poluição do meio ambiente.



Tire a gaveta dos detergentes e deite o detergente ou o aditivo da seguinte maneira:

**gaveta 1: Detergente para pré-lavagem (em pó)**

**gaveta 2: Detergente para lavagem (em pó ou líquido )**

O detergente líquido deve ser colocado depois da máquina ter iniciado a lavagem.

**gaveta 3: Aditivos (amaciador, etc.)**

O amaciador não deve ultrapassar a rede.

**!** Não use detergentes para lavagem à mão, porque fazem demasiada espuma.

## Preparar a roupa

- Separe a roupa em função:
  - do tipo de tecido / do símbolo na etiqueta.
  - as cores: separe as peças coloridas das brancas.
- Esvazie as algibeiras e verifique se há botões soltos.
- Não ultrapasse os valores indicados referentes ao peso da roupa enxuta:
  - Tecidos resistentes: máx. 6 kg.
  - Tecidos sintéticos: máx. 2,5 kg.
  - Tecidos delicados: máx. 2 kg.
  - Lã máx. 1,5 kg.

## Quanto pesa a roupa?

- 1 lençol 400 - 500 g.
- 1 fronha 150 - 200 g.
- 1 toalha de mesa 400 - 500 g.
- 1 roupão 900 - 1.200 g.
- 1 toalha de rosto 150 - 250 g.

## Roupas especiais

**Cortinas:** dobre-as bem e coloque-as dentro de uma fronha ou de um saquinho de rede. Lave-as separadas, sem ultrapassar a meia carga. Utilize o programa 6 que exclui automaticamente a centrifugação.

**Edredões e anoraques:** se forem acolchoadas com penas de ganso ou pato, podem ser lavados na máquina de lavar roupa. Vire as peças do avesso e coloque no máximo de 2-3 kg., repita o enxaguamento uma ou duas vezes e utilize a centrifugação delicada.

**Lã:** para obter os melhores resultados, utilize um detergente específico e não ultrapasse 1,5 kg. de carga.

! Esta Máquina de lavar e secar foi projectada e fabricada em conformidade com os regulamentos internacionais de segurança. Estas advertências são fornecidas por razões de segurança e devem ser lidas com atenção.

## Segurança geral

- Este aparelho foi projectado para um uso doméstico.
- Esta Máquina de lavar e secar deve ser utilizada somente por pessoas adultas e conforme as instruções apresentadas neste manual.
- Não toque na máquina com os pés descalços nem com as mãos ou os pés molhados ou húmidos.
- Não puxe o cabo eléctrico para tirar a ficha da tomada, pegue somente na ficha.
- Não abra a gaveta dos detergentes enquanto a máquina estiver a funcionar.
- Não toque na água de descarga, pois poderá estar muito quente.
- Em nenhum caso force a porta para abri-la: poderá danificar o mecanismo de segurança que a protege contra aberturas acidentais.
- Se houver avarias, não mexa em caso algum nos mecanismos internos para tentar reparar.
- Verifique sempre que as crianças não se aproximem da máquina em funcionamento.
- Durante a lavagem a porta de vidro tende a aquecer.
- Se for preciso deslocar a máquina, são precisas pelo menos duas ou três pessoas, não tente fazê-lo sozinho porque a máquina é muito pesada.
- Antes de colocar a roupa verifique se o tambor está vazio.
- A porta da máquina a enxugar tende a esquentar-se.
- Não enxugue roupa que tenha sido lavada com solventes inflamáveis (p. ex. trerimbitina).
- Não enxugue espuma de borracha nem elastômeros análogos.
- Assegure-se que quando estiver a enxugar, a torneira da água esteja aberta.
- Esta máquina de lavar e enxugar pode ser em pregada somente para enxugar roupa anteriormente lavada com água.

## Eliminação

- Elimine a embalagem obedecendo aos regulamentos locais, de maneira a que as embalagens possam ser reutilizadas.
- A directiva Europeia 2002/96/CE referente à gestão de resíduos de aparelhos eléctricos e electrónicos, prevê que os electrodomésticos não devem ser escoados no fluxo normal dos resíduos

sólidos urbanos. Os aparelhos desactualizados devem ser recolhidos separadamente para otimizar a taxa de recuperação e reciclagem dos materiais que os compõem e impedir potenciais danos para a saúde humana e para o ambiente. O símbolo constituído por um contentor de lixo barrado com uma cruz deve ser colocado em todos os produtos por forma a recordar a obrigatoriedade de recolha separada. Os consumidores devem contactar as autoridades locais ou os pontos de venda para solicitar informação referente ao local apropriado onde devem depositar os electrodomésticos velhos.

## Economizar e respeitar o meio ambiente

### Tecnologia ao serviço do meio ambiente

Se pela porta de vidro notar pouca água é porque, com a nova tecnologia Indesit, é suficiente menos de metade da água para se obter a limpeza máxima: uma meta atingida para respeitar o meio ambiente.

### Economizar detergente, água, energia e tempo

- Para não desperdiçar recursos, é necessário utilizar a Máquina de lavar e secar com a carga máxima. Uma carga plena em vez de duas cargas pela metade permite economizar até 50% de energia.
- A pré-lavagem só é necessária para roupa muito suja. Evite-a para economizar detergente, tempo, água e entre 5 e 15% de energia.
- Trate as nódoas com um produto anti-nódoas ou deixe de molho antes de lavar, desta maneira diminui a necessidade de lavar com altas temperaturas. Um programa a 60°C em vez de 90°C ou a 40°C em vez de 60°C, economiza até 50% de energia.
- Se dosear bem o detergente em função da dureza da água, do nível de sujidade e da quantidade de roupa, evitará desperdícios e protegerá o meio ambiente: mesmo os detergentes biodegradáveis contêm componentes que alteram o equilíbrio da natureza. Evite sempre que possível o uso de amaciador.
- Lavar desde o fim da tarde até as primeiras horas da manhã ajuda a diminuir a carga de absorção das empresas eléctricas. Com a opção Delay Timer (veja a pág. 67) pode programar lavagens desta maneira.
- Se for secar a roupa num secador, seleccione uma velocidade de centrifugação mais alta. Se houver pouca água na roupa economizará tempo e energia no programa de secagem.

# Manutenção e cuidados

PT

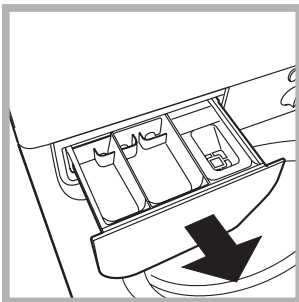
## Interromper a alimentação de água e de corrente eléctrica

- Feche a torneira da água depois de cada lavagem. Desta maneira diminui-se o desgaste do sistema hidráulico da Máquina de lavar e secar e elimina-se o risco de inundação.
- Tire a ficha da tomada eléctrica quando for limpar a Máquina de lavar e secar e durante os trabalhos de manutenção.

## Limpar a Máquina de lavar e secar

A parte externa e as peças em borracha podem ser limpas com um pano molhado com água morna e sabão. Não empregue solventes nem abrasivos.

## Limpar a gaveta dos detergentes



Para tirar a gaveta, puxe-a para fora (veja a figura). Lave-a com água corrente; esta limpeza deve ser efectuada frequentemente.

## Cuidados com a porta de vidro e o tambor

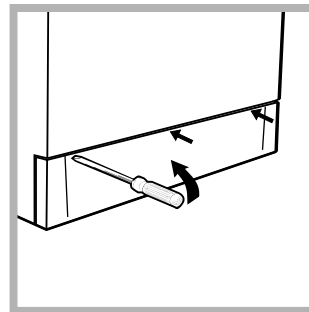
- Deixe a porta sempre entreaberta para evitar que se formem odores desagradáveis.

## Limpar a bomba

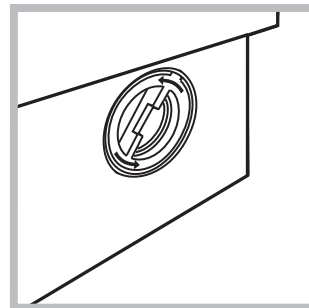
Esta Máquina de lavar e secar é equipada com uma bomba com limpeza automática que não precisa de operações de manutenção. Entretanto pode acontecer que pequenos objectos (moedas, botões) caiam na pré-câmara que protege a bomba, situada na parte inferior da mesma.

! Certifique-se que o ciclo de lavagem tenha terminado e tire a ficha da tomada.

Para obter acesso à pré-câmara:



1. tire o painel de cobertura da parte dianteira da Máquina de lavar e secar com ajuda de uma chave de fendas (veja a figura);



2. para desenroscar a tampa gire-a na direcção contrária aos ponteiros do relógio (veja a figura): é normal que perca um pouco de água;

3. limpe o interior com cuidado;
4. enrosque outra vez a tampa;
5. monte outra vez o painel, certifique-se, antes de empurrar a máquina, que os ganchos foram colocados nas respectivas ranhuras.

## Verificar o tubo de alimentação de água

Verifique o tubo de alimentação pelo menos uma vez por ano. Se houver rachas ou fendas, será necessário substituí-lo: durante as lavagens as fortes pressões podem dar origem a estas situações.

! Nunca utilize tubos já usados.

Pode acontecer que a Máquina de lavar e secar não funcione. Antes de telefonar para a Assistência Técnica (veja a pág. 72), verifique que não se trata de um problema fácil de resolver com ajuda da seguinte lista:

## **Anomalias:**

**A máquina de lavar roupa não liga.**

**O ciclo de lavagem não inicia.**

**A Máquina de lavar e secar não carrega água.**

**A Máquina de lavar e secar carrega e descarrega água continuamente.**

**A Máquina de lavar e secar não descarrega ou nem realiza centrifugação.**

**A Máquina de lavar e secar vibra muito durante a centrifugação.**

**Da Máquina de lavar e secar está a perder água.**

**Se o indicador luminoso ON-OFF/PORTA TRANCADA piscar rápida e intermitentemente ao mesmo tempo, que pelo menos outro indicador luminoso.**

**Está a formar-se demasiada espuma.**

**A Máquina de lavar e secar não seca**

## **Possíveis causas / Solução:**

- A ficha não está colocada na tomada eléctrica, ou não o suficiente para haver contacto.
  - Em casa não há corrente.
  - A porta da máquina não está bem fechada.
  - A tecla (I) não foi pressionada.
  - A tecla START/RESET não foi pressionada.
  - A torneira da água não está aberta.
  - Foi programado um início posterior (Delay Timer, veja a pág. 67).
  - O tubo de alimentação de água não está ligado à torneira.
  - O tubo está dobrado.
  - A torneira da água não está aberta.
  - Está a faltar água em casa.
  - Não há pressão suficiente.
  - A tecla START/RESET não foi pressionada.
  - O tubo de descarga não está instalado entre 65 e 100 cm. de altura do chão (veja a pág. 63).
  - A ponta do tubo de descarga está emergida na água (veja a pág. 63).
  - A descarga na parede não tem ventilação de ar.
- Se depois destas verificações o problema não for resolvido, feche a torneira da água, desligue a Máquina de lavar e secar e chame a assistência técnica. Se a sua casa é nos últimos andares de um edifício, é possível que aconteçam fenómenos de sifão, e por isso a Máquina de lavar e secar carrega e descarrega água continuamente. Para eliminar este inconveniente, há à venda no mercado válvulas apropriadas contra o efeito sifão.
- O programa não faz a descarga: com alguns programas será necessário iniciar a descarga manualmente (veja a pág. 66).
  - Está activada a opção Engomar Fácil: para completar o programa carregue na tecla START/RESET (veja a pág. 67).
  - O tubo de descarga está dobrado (veja a pág. 63).
  - A conduta de descarga está entupida.
  - O tambor, no momento da instalação, não foi liberado correctamente (veja a pág. 62).
  - A Máquina de lavar e secar não está nivelada (veja a pág. 62).
  - A Máquina de lavar e secar está apertada entre móveis e parede (veja a pág. 62).
  - O tubo de alimentação da água não está bem enroscado (veja a pág. 62).
  - O gaveta dos detergentes está entupida (para limpá-la veja a pág. 70).
  - O tubo de descarga não está bem preso (veja a pág. 63).
  - Desligue a máquina e tire a ficha da tomada, aguarde aproximadamente 1 minuto e volte a ligá-la.  
Se a anomalia persistir, contacte a Assistência Técnica.
  - O detergente não é específico para Máquina de lavar e secar (deve haver a escrita "para máquina de lavar", "à mão e para máquina de lavar" ou similares).
  - A dose de detergente foi excessiva.
  - A ficha não está colocada na tomada eléctrica, ou não o suficiente para haver contacto.
  - Em casa não há corrente.
  - A porta da máquina não está bem fechada.
  - Foi programado um início posterior (Delay Timer, veja a pág. 67).
  - O selector de SECAGEM está na posição 0.

**Antes de contactar a Assistência Técnica:**

- Verifique se consegue resolver a anomalia (*veja a pág. 71*);
- Reinicie o programa para verificar se o inconveniente foi resolvido;
- Em caso negativo, contacte a assistência técnica autorizada no número de telefone indicado no certificado de garantia.

! Nunca recorra a técnicos não autorizados.

**Comunique:**

- o tipo de anomalia;
- o modelo da máquina (Mod.);
- o número de série (S/N).

Estas informações encontram-se na placa colocada na parte traseira da Máquina de lavar e secar.



## Free Manuals Download Website

<http://myh66.com>

<http://usermanuals.us>

<http://www.somanuals.com>

<http://www.4manuals.cc>

<http://www.manual-lib.com>

<http://www.404manual.com>

<http://www.luxmanual.com>

<http://aubethermostatmanual.com>

Golf course search by state

<http://golfingnear.com>

Email search by domain

<http://emailbydomain.com>

Auto manuals search

<http://auto.somanuals.com>

TV manuals search

<http://tv.somanuals.com>