

# Instructions for use

## WASHING MACHINE

GB

GB

English, 1

CZ

Česky, 13

SK

Slovensky, 25

TR

Türkçe, 37

IWC 61251

### Contents

#### Installation, 2-3

Unpacking and levelling  
Connecting the electricity and water supplies  
The first wash cycle  
Technical data

#### Care and maintenance, 4

Cutting off the water or electricity supply  
Cleaning the washing machine  
Cleaning the detergent dispenser drawer  
Caring for the door and drum of your appliance  
Cleaning the pump  
Checking the water inlet hose

#### Precautions and tips, 5

General safety  
Disposal

#### Description of the washing machine and starting a wash cycle, 6-7

Control panel  
Indicator lights  
Starting a wash cycle

#### Wash cycles, 8

Table of wash cycles

#### Personalisation, 9

Setting the temperature  
Setting the spin speed  
Functions

#### Detergents and laundry, 10

Detergent dispenser drawer  
Preparing the laundry  
Garments requiring special care  
Load balancing system

#### Troubleshooting, 11

#### Service, 12

 **INDESIT**

# Installation

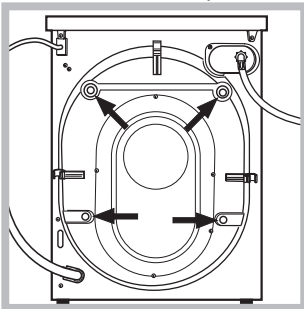
GB

! This instruction manual should be kept in a safe place for future reference. If the washing machine is sold, transferred or moved, make sure that the instruction manual remains with the machine so that the new owner is able to familiarise himself/herself with its operation and features.  
! Read these instructions carefully: they contain vital information relating to the safe installation and operation of the appliance.

## Unpacking and levelling

### Unpacking

1. Remove the washing machine from its packaging.
2. Make sure that the washing machine has not been damaged during the transportation process. If it has been damaged, contact the retailer and do not proceed any further with the installation process.



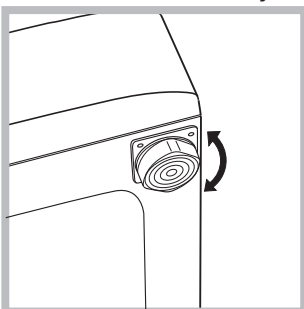
3. Remove the 4 protective screws (used during transportation) and the rubber washer with the corresponding spacer, located on the rear part of the appliance (see figure).

4. Close off the holes using the plastic plugs provided.
5. Keep all the parts in a safe place: you will need them again if the washing machine needs to be moved to another location.

! Packaging materials should not be used as toys for children.

### Levelling

1. Install the washing machine on a flat sturdy floor, without resting it up against walls, furniture cabinets or anything else.

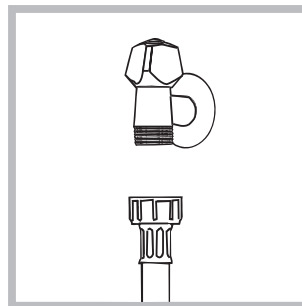


2. If the floor is not perfectly level, compensate for any unevenness by tightening or loosening the adjustable front feet (see figure); the angle of inclination, measured in relation to the worktop, must not exceed 2°.

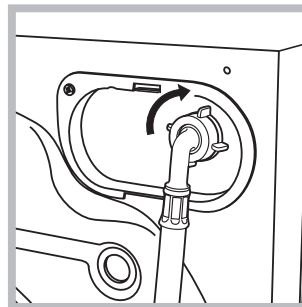
Levelling the machine correctly will provide it with stability, help to avoid vibrations and excessive noise and prevent it from shifting while it is operating. If it is placed on carpet or a rug, adjust the feet in such a way as to allow a sufficient ventilation space underneath the washing machine.

## Connecting the electricity and water supplies

### Connecting the water inlet hose



1. Connect the supply pipe by screwing it to a cold water tap using a  $\frac{3}{4}$  gas threaded connection (see figure).  
Before performing the connection, allow the water to run freely until it is perfectly clear.



2. Connect the inlet hose to the washing machine by screwing it onto the corresponding water inlet of the appliance, which is situated on the top right-hand side of the rear part of the appliance (see figure).

3. Make sure that the hose is not folded over or bent.

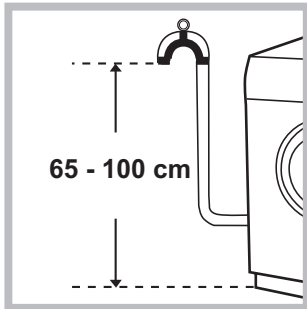
! The water pressure at the tap must fall within the values indicated in the Technical details table (see next page).

! If the inlet hose is not long enough, contact a specialised shop or an authorised technician.

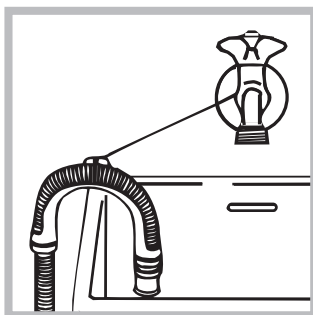
! Never use second-hand hoses.

! Use the ones supplied with the machine.

## Connecting the drain hose



Connect the drain hose, without bending it, to a drainage duct or a wall drain located at a height between 65 and 100 cm from the floor;



alternatively, rest it on the side of a washbasin or bathtub, fastening the duct supplied to the tap (see *figure*). The free end of the hose should not be underwater.

! We advise against the use of hose extensions; if it is absolutely necessary, the extension must have the same diameter as the original hose and must not exceed 150 cm in length.

### Electrical connections

Before plugging the appliance into the electricity socket, make sure that:

- the socket is earthed and complies with all applicable laws;
- the socket is able to withstand the maximum power load of the appliance as indicated in the Technical data table (see *opposite*);
- the power supply voltage falls within the values indicated in the Technical data table (see *opposite*);
- the socket is compatible with the plug of the washing machine. If this is not the case, replace the socket or the plug.

! The washing machine must not be installed outdoors, even in covered areas. It is extremely dangerous to leave the appliance exposed to rain, storms and other weather conditions.

! When the washing machine has been installed, the electricity socket must be within easy reach.

! Do not use extension cords or multiple sockets.



! The cable should not be bent or compressed.

! The power supply cable must only be replaced by authorised technicians.

Warning! The company shall not be held responsible in the event that these regulations are not respected.

## The first wash cycle

Once the appliance has been installed, and before you use it for the first time, run a wash cycle with detergent and no laundry, using the wash cycle **2**.

Technical data	
<b>Model</b>	IWC 61251
<b>Dimensions</b>	width 59,5 cm height 85 cm depth 53,5 cm
<b>Capacity</b>	from 1 to 6 kg
<b>Electrical connections</b>	please refer to the technical data plate fixed to the machine
<b>Water connection</b>	maximum pressure 1 MPa (10 bar) minimum pressure 0.05 MPa (0.5 bar) drum capacity 52 litres
<b>Spin speed</b>	up to 1200 rotations per minute
<b>Test wash cycles in accordance with directives 1061/2010 and 1015/2010</b>	Programme 2: Cotton standard 60°C. Programme 3: Cotton standard 40°C.
 	This appliance conforms to the following EC Directives: <ul style="list-style-type: none"> <li>- 2004/108/CE (Electromagnetic Compatibility)</li> <li>- 2012/19/EU</li> <li>- 2006/95/EC Low Voltage)</li> </ul>

# Care and maintenance

GB

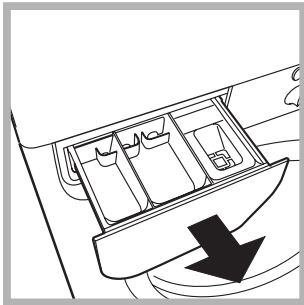
## Cutting off the water and electricity supplies

- Turn off the water tap after every wash cycle. This will limit wear on the hydraulic system inside the washing machine and help to prevent leaks.
- Unplug the washing machine when cleaning it and during all maintenance work.

## Cleaning the washing machine

The outer parts and rubber components of the appliance can be cleaned using a soft cloth soaked in lukewarm soapy water. Do not use solvents or abrasives.

## Cleaning the detergent dispenser drawer



Remove the dispenser by raising it and pulling it out (see figure). Wash it under running water; this operation should be repeated frequently.

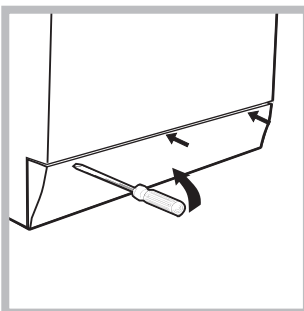
## Caring for the door and drum of your appliance

- Always leave the porthole door ajar in order to prevent unpleasant odours from forming.

## Cleaning the pump

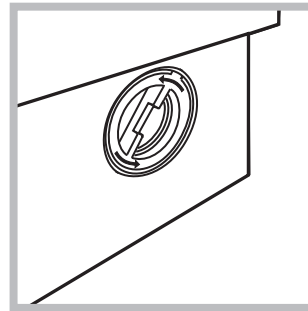
The washing machine is fitted with a self-cleaning pump which does not require any maintenance. Sometimes, small items (such as coins or buttons) may fall into the pre-chamber which protects the pump, situated in its bottom part.

! Make sure the wash cycle has finished and unplug the appliance.



To access the pre-chamber:

1. using a screwdriver, remove the cover panel on the lower front part of the washing machine (see figure);



2. unscrew the lid by rotating it anti-clockwise (see figure): a little water may trickle out. This is perfectly normal;

3. clean the inside thoroughly;
4. screw the lid back on;
5. reposition the panel, making sure the hooks are securely in place before you push it onto the appliance.

## Checking the water inlet hose

Check the inlet hose at least once a year. If there are any cracks, it should be replaced immediately: during the wash cycles, water pressure is very strong and a cracked hose could easily split open.

! Never use second-hand hoses.

! This washing machine was designed and constructed in accordance with international safety regulations. The following information is provided for safety reasons and must therefore be read carefully.

Consumers should contact their local authority or retailer for information concerning the correct disposal of their old appliance.

GB

## General safety

- This appliance was designed for domestic use only.
- This appliance can be used by children aged from 8 years and above and persons with reduced physical, sensory or mental capabilities or lack of experience and knowledge if they have been given supervision or instruction concerning use of the appliance in a safe way and understand the hazards involved. Children shall not play with the appliance. Cleaning and user maintenance shall not be made by children without supervision.
- Do not touch the machine when barefoot or with wet or damp hands or feet.
- Do not pull on the power supply cable when unplugging the appliance from the electricity socket. Hold the plug and pull.
- Do not open the detergent dispenser drawer while the machine is in operation.
- Do not touch the drained water as it may reach extremely high temperatures.
- Never force the porthole door. This could damage the safety lock mechanism designed to prevent accidental opening.
- If the appliance breaks down, do not under any circumstances access the internal mechanisms in an attempt to repair it yourself.
- Always keep children well away from the appliance while it is operating.
- The door can become quite hot during the wash cycle.
- If the appliance has to be moved, work in a group of two or three people and handle it with the utmost care. Never try to do this alone, because the appliance is very heavy.
- Before loading laundry into the washing machine, make sure the drum is empty.

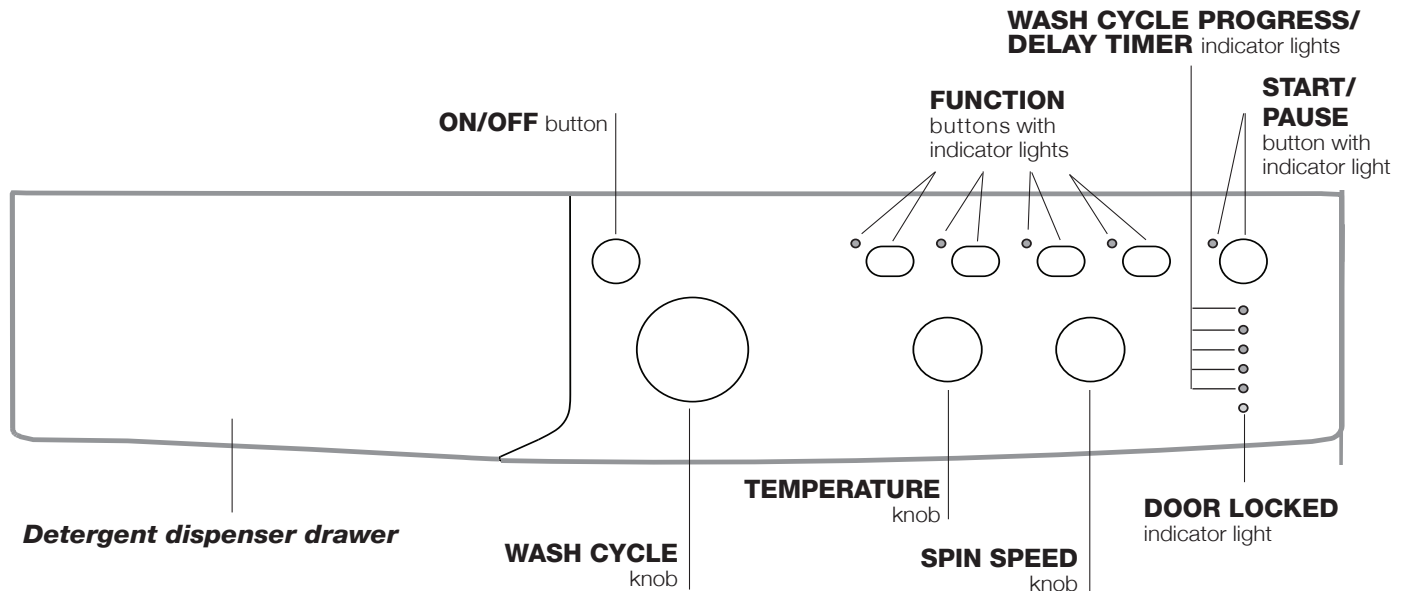
## Disposal

- Disposing of the packaging materials: observe local regulations so that the packaging may be re-used.
- The European Directive 2012/19/EU on Waste Electrical and Electronic Equipment, requires that old household electrical appliances must not be disposed of in the normal unsorted municipal waste stream. Old appliances must be collected separately in order to optimise the recovery and recycling of the materials they contain and reduce the impact on human health and the environment. The crossed out “wheeled bin” symbol on the product reminds you of your obligation, that when you dispose of the appliance it must be separately collected.

# Description of the washing machine and starting a wash cycle

## Control panel

GB



**Detergent dispenser drawer:** used to dispense detergents and washing additives (see “Detergents and laundry”).

**ON/OFF button:** switches the washing machine on and off.

**WASH CYCLE knob:** programmes the wash cycles. During the wash cycle, the knob does not move.

**FUNCTION buttons with indicator light:** used to select the available functions. The indicator light corresponding to the selected function will remain lit.

**TEMPERATURE knob:** sets the temperature or the cold wash cycle (see “Personalisation”).


**SPIN SPEED knob:** sets the spin speed or exclude the spin cycle completely (see “Personalisation”).

**WASH CYCLE PROGRESS/DELAY TIMER indicator lights:** used to monitor the progress of the wash cycle. The illuminated indicator light shows which phase is in progress.

If the Delay Timer function has been set, the time remaining until the wash cycle starts will be indicated (see next page).

**DOOR LOCKED indicator light:** indicates whether the door may be opened or not (see next page).

**START/PAUSE button with indicator light:** starts or temporarily interrupts the wash cycles.

**N.B.** To pause the wash cycle in progress, press this button; the corresponding indicator light will flash orange, while the indicator light for the current wash cycle phase will remain lit in a fixed manner. If the DOOR LOCKED  indicator light is switched off, the door may be opened (wait approximately 3 minutes).

To start the wash cycle from the point at which it was interrupted, press this button again.

### Standby mode

This washing machine, in compliance with new energy saving regulations, is fitted with an automatic standby system which is enabled after about 30 minutes if no activity is detected. Press the ON-OFF button briefly and wait for the machine to start up again.

## Indicator lights

The indicator lights provide important information. This is what they can tell you:

### Delayed start

If the DELAY TIMER function has been activated (see "Personalisation"), after the wash cycle has been started the indicator light corresponding to the selected delay period will begin to flash:








As time passes, the remaining delay will be displayed and the corresponding indicator light will flash:



The set programme will start once the selected time delay has expired.

### Wash cycle phase indicator lights

Once the desired wash cycle has been selected and has begun, the indicator lights switch on one by one to indicate which phase of the cycle is currently in progress.

Wash	
Rinse	
Spin	
Drain	
End of wash cycle	

### Function buttons and corresponding indicator lights

When a function is selected, the corresponding indicator light will illuminate.

If the selected function is not compatible with the programmed wash cycle, the corresponding indicator light will flash and the function will not be activated.

If the selected function is not compatible with another function which has been selected previously, the indicator light corresponding to the first function selected will flash and only the second function will be activated; the indicator light corresponding to the enabled option will remain lit.


### Door locked indicator light

When the indicator light is on, the porthole door is locked to prevent it from being opened; make sure the indicator light is off before opening the door (wait approximately 3 minutes). To open the door during a running wash cycle, press the START/PAUSE button; the door may be opened once the DOOR LOCKED indicator light turns off.

## Starting a wash cycle

1. Switch the washing machine on by pressing the ON/OFF button. All indicator lights will switch on for a few seconds, then they will switch off and the START/PAUSE indicator light will pulse.
2. Load the laundry and close the door.
3. Set the WASH CYCLE knob to the desired programme.
4. Set the washing temperature (see "Personalisation").
5. Set the spin speed (see "Personalisation").
6. Measure out the detergent and washing additives (see "Detergents and laundry").
7. Select the desired functions.
8. Start the wash cycle by pressing the START/PAUSE button and the corresponding indicator light will remain lit in a fixed manner, in green.



To cancel the set wash cycle, pause the machine by pressing the START/PAUSE button and select a new cycle.

9. At the end of the wash cycle the **END** indicator light will switch on. The door can be opened once the DOOR LOCKED  indicator light turns off (wait approximately 3 minutes). Take out your laundry and leave the appliance door ajar to make sure the drum dries completely. Switch the washing machine off by pressing the ON/OFF button.

# Wash cycles

GB

**Table of wash cycles**

Wash cycles	Description of the wash cycle	Max. temp. (°C)	Max. speed (rpm)	Detergents			Max. load (kg)	Residual dampness %	Energy consumption kWh	Total water lt	Cycle duration
				Pre-wash	Wash	Fabric softener					
<b>Daily</b>											
1	<b>Cotton with prewash:</b> extremely soiled whites.	90°	1200	●	●	●	6	53	2,18	75	150'
2	<b>Cotton Standard 60° (1):</b> heavily soiled whites and resistant colours.	60° (Max. 90°)	1200	-	●	●	6	53	1,03	49,0	190'
3	<b>Cotton Standard 40° (2):</b> lightly soiled whites and delicate colours.	40°	1200	-	●	●	6	53	0,86	69	180'
4	<b>Synthetics:</b> heavily soiled resistant colours.	60°	800	-	●	●	3,5	44	0,93	47	115'
4	<b>Synthetics (3):</b> lightly soiled resistant colours.	40°	800	-	●	●	3,5	44	0,57	46	100'
5	<b>Mix Colored:</b> lightly soiled whites and delicate colours.	40°	1200	-	●	●	6	53	0,60	50	85'
<b>20° Zone</b>											
6	<b>Cotton Standard 20°:</b> lightly soiled whites and delicate colours.	20°	1200	-	●	●	6	-	-	-	170'
7	<b>Mix Light</b>	20°	800	-	●	●	6	-	-	-	120'
8	<b>20' Refresh</b>	20°	800	-	●	●	1,5	-	-	-	20'
<b>Special</b>											
9	<b>Silk/Curtains:</b> for garments in silk and viscose, lingerie.	30°	0	-	●	●	1	-	-	-	55'
10	<b>Wool:</b> for wool, cashmere, etc.	40°	800	-	●	●	1,5	-	-	-	70'
11	<b>Jeans</b>	40°	800	-	●	●	3,5	-	-	-	75'
<b>Sport</b>											
12	<b>Sport Intensive</b>	30°	600	-	●	●	2,5	-	-	-	85'
13	<b>Sport Light</b>	30°	600	-	●	●	2,5	-	-	-	60'
14	<b>Sport Shoes</b>	30°	600	-	●	●	Max. 2 Pairs	-	-	-	60'
<b>Partial wash cycles</b>											
	Rinse	-	1200	-	-	●	6	-	-	-	36'
	Spin + Drain	-	1200	-	-	-	6	-	-	-	16'

The length of cycle shown on the display or in this booklet is an estimation only and is calculated assuming standard working conditions. The actual duration can vary according to factors such as water temperature and pressure, the amount of detergent used, the amount and type of load inserted, load balancing and any wash options selected.

**1) Test wash cycle in compliance with directive 1061/2010: set wash cycle 2 with a temperature of 60°C.**

This cycle is designed for cotton loads with a normal soil level and is the most efficient in terms of both electricity and water consumption; it should be used for garments which can be washed at 60°C. The actual washing temperature may differ from the indicated value.

**2) Test wash cycle in compliance with directive 1061/2010: set wash cycle 3 with a temperature of 40°C.**

This cycle is designed for cotton loads with a normal soil level and is the most efficient in terms of both electricity and water consumption; it should be used for garments which can be washed at 40°C. The actual washing temperature may differ from the indicated value.

For all Test Institutes:

2) Long wash cycle for cottons: set wash cycle 3 with a temperature of 40°C.

3) Synthetic program along: set wash cycle 4 with a temperature of 40°C.

**Sport Intensive** (wash cycle 12) is for washing heavily soiled sports clothing fabrics (tracksuits, shorts, etc.); for best results, we recommend not exceeding the maximum load indicated in the "Table of wash cycles".

**Sport Light** (wash cycle 13) is for washing lightly soiled sports clothing fabrics (tracksuits, shorts, etc.); for best results, we recommend not exceeding the maximum load indicated in the "Table of wash cycles". We recommend using a liquid detergent and dosage suitable for a half-load.

**Sport Shoes** (wash cycle 14) is for washing sports shoes; for best results, do not wash more than 2 pairs simultaneously.

**The 20° wash cycles** (20° Zone) offer effective washing performance at low temperatures, reducing electricity usage and expenditure while benefitting the environment. The 20° wash cycles meet all requirements:

**Cotton Standard 20°** (programme 6) ideal for lightly soiled cotton loads. The effective performance levels achieved at cold temperatures, which are comparable to washing at 40°, are guaranteed by a mechanical action which operates at varying speed, with repeated and frequent peaks.

**Mix Light** (programme 7) ideal for mixed loads (cotton and synthetics) with a normal soil level. The effective performance levels achieved at cold temperatures are guaranteed by a mechanical action which operates at varying speed, across set average intervals.

**20' Refresh** (programme 8) ideal for refreshing and washing lightly soiled garments in a few minutes. It lasts just 20 minutes and therefore saves both time and energy. It can be used to wash different types of fabrics together (except for wool and silk), with a maximum load of 1.5 kg.



## Setting the temperature

Turn the TEMPERATURE knob to set the wash temperature (see *Table of wash cycles*).

The temperature may be lowered, or even set to a cold wash .

The washing machine will automatically prevent you from selecting a temperature which is higher than the maximum value set for each wash cycle.

! Exception: if the **2** programme is selected, the temperature can be increased up to a value of 90°C.

## Setting the spin speed

Turn the SPIN SPEED knob to set the spin speed for the selected wash cycle.

The maximum spin speeds available for each wash cycle are as follows:

Wash cycles	Maximum spin speed
Cottons	1200 rpm
Synthetics	800 rpm
Wool	800 rpm
Silk	drain only

The spin speed may be lowered, or the spin cycle can be excluded altogether by selecting the symbol .

The washing machine will automatically prevent you from selecting a spin speed which is higher than the maximum speed set for each wash cycle.

## Functions

The various wash functions available with this washing machine will help to achieve the desired results, every time.



To activate the functions:

1. Press the button corresponding to the desired function;
2. the function is enabled when the corresponding indicator light is illuminated.

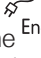
Note: If the indicator light flashes rapidly, this signals that this particular function may not be selected in conjunction with the selected wash cycle.

### EcoTime

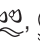

Selecting this option enables you to suitably adjust drum rotation, temperature and water to a reduced load of lightly soiled cotton and synthetic fabrics (refer to the "*Table of wash cycles*"). "EcoTime" enables you to wash in less time thereby saving water and electricity. We suggest using a liquid detergent suitably measured out to the load quantity.

! This function may not be used in conjunction with wash cycles 1, 6, 7, 8, 9, 10, 11, 12, 13, 14, , .

### Energy Saver

The  Energy Saver function saves energy by not heating the water used to wash your laundry - an advantage both to the environment and to your energy bill. Instead, intensified wash action and water optimisation ensure great wash results in the same average time of a standard cycle.

For the best washing results we recommend the usage of a liquid detergent.

! This function may not be used in conjunction with wash cycles 1, 6, 7, 8, 9, 10, 12, 13, 14, , .

### Extra Rinse

By selecting this option, the efficiency of the rinse is increased and optimal detergent removal is guaranteed. It is particularly useful for sensitive skin.

! It cannot be used in conjunction with the 8,  programmes.

### Delay timer

This timer delays the start time of the wash cycle by up to 12 hours.

Press the button repeatedly until the indicator light corresponding to the desired delay time switches on. The fifth time the button is pressed, the function will be disabled.

**N.B.** Once the START/PAUSE button has been pressed, the delay time can only be modified by decreasing it until launching the set programme.

! This option is enabled with all programmes.

# Detergents and laundry

GB

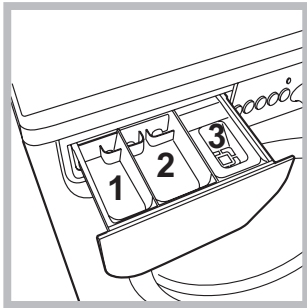
## Detergent dispenser drawer

Good washing results also depend on the correct dose of detergent: adding too much detergent will not necessarily result in a more efficient wash, and may in fact cause build up on the inside of your appliance and contribute to environmental pollution.

! Do not use hand washing detergents because these create too much foam.

! Use powder detergent for white cotton garments, for pre-washing, and for washing at temperatures over 60°C.

! Follow the instructions given on the detergent packaging.



Open the detergent dispenser drawer and pour in the detergent or washing additive, as follows.

**Compartment 1: Pre-wash detergent (powder)**  
**compartment 2: Detergent for the wash cycle (powder or liquid)**

Liquid detergent should only be poured in immediately prior to the start of the wash cycle.

**compartment 3: Additives (fabric softeners, etc.)**

The fabric softener should not overflow the grid.

## Preparing the laundry

- Divide the laundry according to:
  - the type of fabric/the symbol on the label
  - the colours: separate coloured garments from whites.
- Empty all garment pockets and check the buttons.
- Do not exceed the values listed in the "Table of wash cycles", which refer to the weight of the laundry when dry.


### How much does your laundry weigh?

- 1 sheet 400-500 g
- 1 pillow case 150-200 g
- 1 tablecloth 400-500 g
- 1 bathrobe 900-1200 g
- 1 towel 150-250 g

## Garments requiring special care

**Silk:** use special wash cycle **9** to wash all silk garments. We recommend the use of special detergent which has been designed to wash delicate clothes.

**Curtains:** fold curtains and place them in a pillow case or mesh bag. Use wash cycle **9**.

**Wool:** all wool garments can be washed using programme **10**, even those carrying the "hand-wash only"  label. For best results, use special detergents and do not exceed 1,5 kg of laundry.

**Jeans:** Turn garments inside-out before washing and use a liquid detergent. Use programme **11**.

## Load balancing system

Before every spin cycle, to avoid excessive vibrations and to distribute the load in a uniform manner, the drum rotates continuously at a speed which is slightly greater than the washing rotation speed. If, after several attempts, the load is not balanced correctly, the machine spins at a reduced spin speed. If the load is excessively unbalanced, the washing machine performs the distribution process instead of spinning. To encourage improved load distribution and balance, we recommend small and large garments are mixed in the load.

Your washing machine could fail to work. Before contacting the Technical Assistance Centre (see "Assistance"), make sure that the problem cannot be solved easily using the following list.

## Problem:

## Possible causes / Solutions:

**The washing machine does not switch on.**

- The appliance is not plugged into the socket fully, or is not making contact.
- There is no power in the house.

**The wash cycle does not start.**

- The washing machine door is not closed properly.
- The ON/OFF button has not been pressed.
- The START/PAUSE button has not been pressed.
- The water tap has not been opened.
- A delayed start has been set (see "Personalisation").

**The washing machine does not take in water (the indicator light for the first wash cycle stage flashes rapidly).**

- The water inlet hose is not connected to the tap.
- The hose is bent.
- The water tap has not been opened.
- There is no water supply in the house.
- The pressure is too low.
- The START/PAUSE button has not been pressed.

**The washing machine continuously takes in and drains water.**

- The drain hose is not fitted at a height between 65 and 100 cm from the floor (see "Installation").
- The free end of the hose is under water (see "Installation").
- The wall drainage system is not fitted with a breather pipe.

If the problem persists even after these checks, turn off the water tap, switch the appliance off and contact the Assistance Service. If the dwelling is on one of the upper floors of a building, there may be problems relating to water drainage, causing the washing machine to fill with water and drain continuously. Special anti-draining valves are available in shops and help to avoid this inconvenience.

**The washing machine does not drain or spin.**

- The wash cycle does not include draining: some wash cycles require the drain phase to be started manually.
- The drain hose is bent (see "Installation").
- The drainage duct is clogged.

**The washing machine vibrates a lot during the spin cycle.**

- The drum was not unlocked correctly during installation (see "Installation").
- The washing machine is not level (see "Installation").
- The washing machine is trapped between cabinets and walls (see "Installation").

**The washing machine leaks.**

- The water inlet hose is not screwed on properly (see "Installation").
- The detergent dispenser drawer is blocked (for cleaning instructions, see "Care and maintenance").
- The drain hose is not fixed properly (see "Installation").

**The "Functions" indicator lights and the "start/pause" indicator light flash, while one of the "phase in progress" indicator lights and the "door locked" indicator light will remain lit in a fixed manner.**

- Switch off the machine and unplug it, wait for approximately 1 minute and then switch it back on again.  
If the problem persists, contact the Technical Assistance Service.

**There is too much foam.**

- The detergent is not suitable for machine washing (it should display the text "for washing machines" or "hand and machine wash", or the like).
- Too much detergent was used.

# Service

GB

## Before calling for Assistance:

- Check whether you can solve the problem alone (see "Troubleshooting");
- Restart the programme to check whether the problem has been solved;
- If this is not the case, contact an authorised Technical Assistance Centre using the telephone number provided on the guarantee certificate.

! Always request the assistance of authorised technicians.

## Have the following information to hand:

- the type of problem;
- the appliance model (Mod.);
- the serial number (S/N).

This information can be found on the data plate applied to the rear of the washing machine, and can also be found on the front of the appliance by opening the door.

## COMMISSION DELEGATED REGULATION (EU) No 1061/2010

Brand	INDESIT
Model	IWC 61251 C ECO EU
Rated capacity in kg of cotton	6.0
Energy efficiency class on a scale from A+++ (low consumption) to G (high consumption)	A+
Energy consumption per year in kWh <sup>1)</sup>	193.0
Energy consumption of the standard 60 °C cotton programme at full load in kWh <sup>2)</sup>	1.03
Energy consumption of the standard 60 °C cotton programme at partial load in kWh <sup>2)</sup>	0.775
Energy consumption of the standard 40 °C cotton programme at partial load in kWh <sup>2)</sup>	0.611
Power consumption of the off-mode in W	0.5
Power consumption of the left-on mode in W	8.0
Water consumption per year in litres <sup>3)</sup>	8643
Spin-drying efficacy class on a scale from G (minimum efficacy) to A (maximum efficacy)	B
Maximum spin speed attained <sup>4)</sup>	1200
Remaining moisture content <sup>5)</sup>	53%
Programme time of the "standard 60 °C cotton" at full load in minutes	190
Programme time of the "standard 60 °C cotton" at partial load in minutes	160
Programme time of the "standard 40°C cotton" at partial load in minutes	155
Duration of the left-on mode in minutes	30
Noise in dB(A) re 1 pW washing <sup>6)</sup>	60
Noise in dB(A) re 1 pW spinning <sup>6)</sup>	75

<sup>1)</sup> The "standard 60°C cotton" at full and partial load and the "standard 40°C cotton" at partial load are the standard washing programmes to which the information in the label and the fiche relates. Standard 60°C cotton and standard 40°C cotton are suitable to clean normally soiled cotton laundry and are the most efficient programmes in terms of combined energy and water consumption. Partial load is half the rated load.

<sup>2)</sup> Based on 220 standard washing cycles for cotton programmes at 60°C and 40°C at full and partial load, and the consumption of the low-power modes. Actual energy consumption will depend on how the appliance is used.

<sup>3)</sup> Based on 220 standard washing cycles for cotton programmes at 60°C and 40°C at full and partial load. Actual water consumption will depend on how the appliance is used.

<sup>4)</sup> For the standard 60 °C at full and partial load or the 40°C at partial whichever is lower.

<sup>5)</sup> Attained for 60 °C cotton at full and partial load or the 40°C at partial whichever is higher.

<sup>6)</sup> Based on washing and spinning phases for the standard 60°C cotton programme at full load.

CZ

Česky

IWC 61251

## Obsah

### Instalace, 14-15

Rozbalení a vyrovnaní do vodorovné polohy  
Připojení k elektrické a k vodovodní síti  
První prací cyklus  
Technické údaje

### Údržba a péče, 16

Uzavření přívodu vody a vypnutí elektrického napájení  
Čištění pračky  
Čištění dávkovače pracích prostředků  
Péče o dvířka a buben  
Čištění čerpadla  
Kontrola přítokové hadice na vodu

### Opatření a rady, 17

Základní bezpečnostní pokyny  
Likvidace

### Popis pračky a zahájení pracího programu, 18-19

Ovládací panel  
Kontrolky  
Zahájení pracího programu

### Prací programy, 20

Tabulka pracích programů

### Uživatelská nastavení, 21

Nastavení teploty  
Nastavení rychlosti odstředování  
Funkce

### Prací prostředky a prádlo, 22

Dávkovač pracích prostředků  
Příprava prádla  
Oděvy vyžadující zvláštní péči  
Systém automatického vyvážení náplně

### Poruchy a způsob jejich odstranění, 23

### Servisní služba, 24

# Instalace

CZ

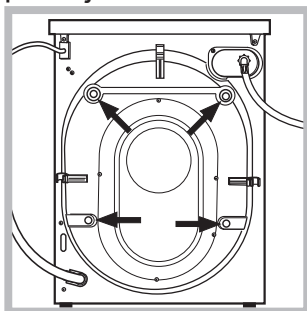
! Je důležité uschovat tento návod tak, abyste jej mohli kdykoli konzultovat. V případě prodeje, darování nebo přestěhování pračky se ujistěte, že zůstane uložen v blízkosti pračky, aby mohl posloužit novému majiteli při seznámení s její činností a s příslušnými upozorněními.

! Pozorně si přečtěte uvedené pokyny: obsahují důležité informace týkající se instalace, použití a bezpečnosti při práci.

## Rozbalení a vyrovnaní do vodorovné polohy

### Rozbalení

1. Rozbalte pračku.
2. Zkontrolujte, zda během přepravy nedošlo k jejímu poškození. V případě, že je poškozena, ji nezapojujte a obraťte se na prodejce.



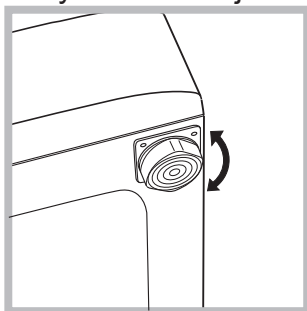
3. Odstraňte 4 šrouby chránící před poškozením během přepravy a gumovou podložku s příslušnou rozpěrkou, které se nacházejí v zadní části (viz obrázek).

4. Uzavřete otvory po šroubech plastovými krytkami z příslušenství.
5. Uschovejte všechny díly: v případě opětovné přepravy pračky je bude třeba namontovat zpět.

! Obaly nejsou hračky pro děti!

### Vyrovnaní do vodorovné polohy

1. Pračku je třeba umístit na rovnou a pevnou podlahu, aniž by se opírala o stěnu, nábytek či něco jiného.

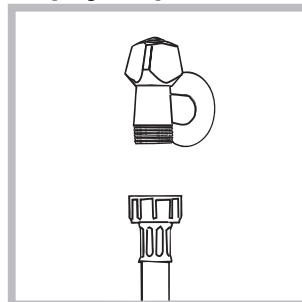


2. V případě, že podlaha není dokonale vodorovná, mohou být případné rozdíly vykompenzovány šroubováním předních nožek (viz obrázek); Úhel sklonu, naměřený na pracovní ploše, nesmí přesáhnout 2°.

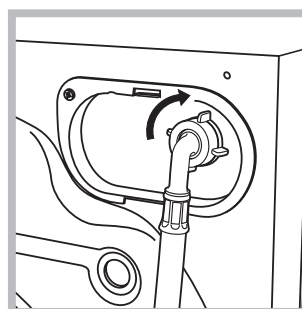
Dokonalé vyrovnaní do vodorovné polohy zabezpečí stabilitu zařízení a zamezí vzniku vibrací a hluku během činnosti. V případě instalace na podlahovou krytinu nebo na koberec nastavte nožky tak, aby pod pračkou zůstal dostatečný volný prostor pro ventilaci.

## Připojení k elektrické a k vodovodní síti

### Připojení přítokové hadice vody



1. Připojte přívodní hadici jejím zašroubováním ke kohoutku studené vody s hrdlem se závitem 3/4" (viz obrázek). Před připojením hadice nechte vodu odtékat, dokud nebude čirá.



2. Připojte přítokovou hadici k pračce prostřednictvím příslušné přípojky na vodu, umístěné vpravo nahoře (viz obrázek).

3. Dbejte na to, aby hadice nebyla příliš ohnutá ani stlačená.

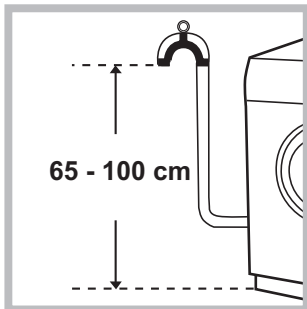
! Tlak v rozvodu vody se musí pohybovat v rozmezí hodnot uvedených v tabulce s technickými údaji (viz vedlejší strana).

! V případě, že délka přítokové hadice nebude dostatečná, obraťte se na specializovanou prodejnu nebo na autorizovaný technický personál.

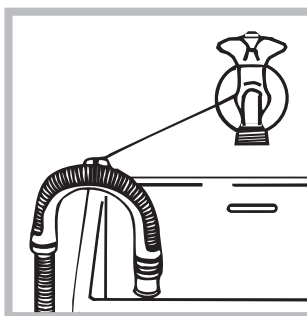
! Nikdy nepoužívejte již použité hadice.

! Používejte hadice z příslušenství zařízení.

## Připojení vypouštěcí hadice



Připojte vypouštěcí hadici, aniž byste ji ohýbali, k odpadovému potrubí nebo k odpadu ve stěně, který se nachází od 65 do 100 cm nad zemí;



nebo ji uchyťte k okraji umývadla či vany a připevněte vodící držák z příslušenství ke kohoutu (viz obrázek). Volný konec vypouštěcí hadice nesmí zůstat ponořený do vody.

! Použití prodlužovacích hadic se nedoporučuje; je-li však nezbytné, prodlužovací hadice musí mít stejný průměr jako originální hadice a její délka nesmí přesáhnout 150 cm.

## Připojení k elektrické síti

Před zasunutím zástrčky do zásuvky se ujistěte, že:

- Je zásuvka uzemněna a že vyhovuje normám;
- je zásuvka schopna snést maximální zátěž odpovídající jmenovitému příkonu zařízení, uvedenému v tabulce s technickými údaji (viz vedle);
- hodnota napájecího napětí odpovídá údajům uvedeným v tabulce s technickými údaji (viz vedle);
- je zásuvka kompatibilní se zástrčkou pračky. V opačném případě je třeba vyměnit zásuvku nebo zástrčku.

! Pračka nesmí být umístěna venku – pod širým nebem, a to ani v případě, že by se jednalo o místo chráněné před nepřízní počasí, protože je velmi nebezpečné vystavit ji působení deště a bouří.

! Po definitivní instalaci pračky musí zásuvka zůstat snadno přístupná.

! Nepoužívejte prodlužovací kabely a rozvodky.


! Kabel nesmí být ohnutý ani stlačený.

! Výměna kabelu musí být svěřena výhradně autorizovanému technickému personálu.

Upozornění! Výrobce neponese žádnou odpovědnost za následky nerespektování uvedených předpisů.

## První prací cyklus

Po instalaci zařízení je třeba ještě předtím, než je použijete na praní prádla, provést jeden zkušební cyklus s pracím prostředkem a bez náplně prádla nastavením pracího programu 2.

Technické údaje	
Model	IWC 61251
Rozměry	šířka 59,5 cm výška 85 cm hloubka 53,5 cm
Kapacita	od 1 do 6 kg
Napájení	Viz štítek s technickými údaji, aplikovaný na zařízení.
Připojení k rozvodu vody	maximální tlak 1 MPa (10 bar) minimální tlak 0.05 MPa (0.5 bar) kapacita bubnu 52 litrů
Rychlost odstředování	až do 1200 otáček za minutu
Kontrolní programy podle směrnice 1061/2010 a 1015/2010	program 2; standardní program pro bavlnu pro praní při 60°C. program 3; standardní program pro bavlnu pro praní při 40°C.
 	Toto zařízení odpovídá následujícím normám Evropské unie: - 2004/108/CE (Elektromagnetická kompatibilita) - 2006/95/CE (Nízké napětí) - 2012/19/EU

# Údržba a péče

CZ

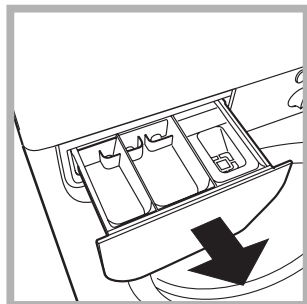
## Uzavření přívodu vody a vypnutí elektrického napájení

- Po každém praní uzavřete přívod vody. Tímto způsobem dochází k omezení opotřebení pračky a ke snížení nebezpečí úniku vody.
- Před zahájením čištění pračky a během operací údržby vytáhněte zástrčku napájecího kabelu z elektrické zásuvky.

## Čištění pračky

Vnější části a části z gumy se mohou čistit hadrem navlhčeným ve vlažné vodě a saponátu. Nepoužívejte rozpouštědla ani abrazivní látky.

## Čištění dávkovače pracích prostředků



Vytáhněte dávkovač jeho nadzvednutím a vytažením směrem ven (viz obrázek). Umyjte jej pod proudem vody; tento druh vyčištění je třeba provádět pravidelně.

## Péče o dvířka a buben

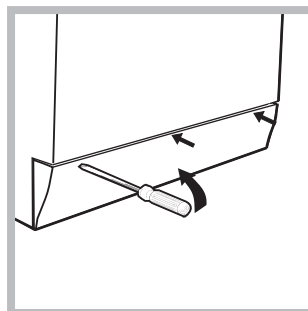
- Dvířka ponechte pokaždé pootevřená, aby se zabránilo tvorbě nepříjemných zápachů.

## Čištění čerpadla

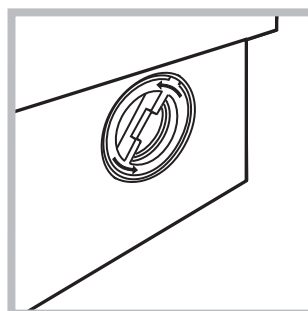
Součástí pračky je samočisticí čerpadlo, které nevyžaduje údržbu. Může se však stát, že se v jeho vstupní části, určené k jeho ochraně a nacházející se v jeho spodní části, zachytí drobné předměty (mince, knoflíky).

! Ujistěte se, že byl prací cyklus ukončen, a vytáhněte zástrčku ze zásuvky.

Přístup ke vstupní části čerpadla:



1. pomocí šroubováku odstraňte krycí panel nacházející se v přední části pračky (viz obrázek);



2. odšroubujte víko jeho otáčením proti směru hodinových ručiček (viz obrázek): vytečení malého množství vody je zcela běžným jevem;

3. dokonale vyčistěte vnitřek;
4. zašroubujte zpět víko;
5. namontujte zpět panel, přičemž se před jeho přisunutím k zařízení ujistěte, že došlo ke správnému zachycení háčků do příslušných podélných otvorů.

## Kontrola přítokové hadice na vodu

Stav přítokové hadice je třeba zkontrolovat alespoň jednou ročně. Jsou-li na ní viditelné praskliny nebo trhliny, je třeba ji vyměnit: silný tlak působící na hadici během pracího cyklu by mohl způsobit její náhlé roztržení.

! Nikdy nepoužívejte již použité hadice.



! Pračka byla navržena a vyrobena v souladu s platnými mezinárodními bezpečnostními předpisy. Tato upozornění jsou uváděna z bezpečnostních důvodů a je třeba si je pozorně přečíst.

## Základní bezpečnostní pokyny

- Toto zařízení bylo navrženo výhradně pro použití v domácnosti.
- Toto zařízení mohou používat děti od 8 let a osoby se sníženými fyzickými, senzorickými nebo duševními schopnostmi nebo osoby s nedostatečnými zkušenostmi a znalostmi, když se nacházejí pod náležitým dohledem nebo když byly náležitě vyškoleny ohledně bezpečného použití zařízení a uvědomují si související nebezpečí. Děti si nesmí hrát se zařízením. Děti nesmí provádět operace údržby a čištění bez dohledu.
- Nedotýkejte se zařízení bosí nebo v případě, že máte mokré ruce či nohy.
- Nevytahujte zástrčku ze zásuvky tahem za kabel, ale uchopením za zástrčku.
- Neotvírejte dávkovač pracích prostředků během činnosti zařízení.
- Nedotýkejte se odčerpávané vody, protože může mít velmi vysokou teplotu.
- Nepokoušejte se o násilné otevření dvířek: mohlo by dojít k poškození bezpečnostního uzávěru, který zabraňuje náhodnému otevření.
- Při výskytu poruchy se v žádném případě nepokoušejte o opravu vnitřních částí zařízení.
- Vždy mějte pod kontrolou děti a zabraňte tomu, aby se přibližovaly k zařízení během pracovního cyklu.
- Během pracovního cyklu mají dvířka tendenci ohřát se.
- V případě potřeby přemíst'ujte pračku ve dvou nebo ve třech a věnujte celé operaci maximální pozornost. Nikdy se nepokoušejte zařízení přemíst'ovat sami, je totiž velmi těžké.
- Před zahájením vkládání prádla zkontrolujte, zda je buben prázdný.

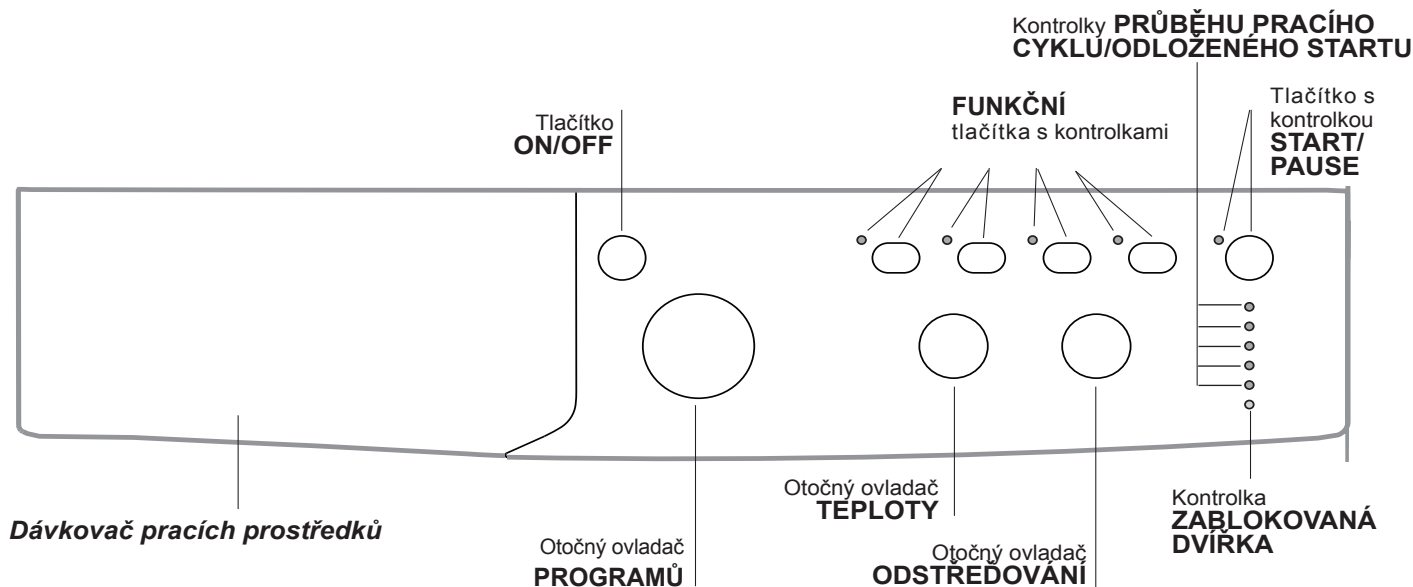
## Likvidace

- Likvidace obalových materiálů: při jejich odstranění postupujte v souladu s místními předpisy a dbejte na možnou recyklaci.
- Evropská směrnice 2012/19/EU o odpadních elektrických a elektronických zařízeních stanovuje, že staré domácí elektrické spotřebiče nesmí být odkládány do běžného netříděného domovního odpadu. Staré spotřebiče musí být odevzdány do odděleného sběru, a to za účelem recyklace a optimálního využití materiálů, které obsahují, a z důvodu předcházení negativním dopadům na lidské zdraví a životní prostředí. Symbol "přeškrtnuté popelnice" na výrobku

vás upozorňuje na povinnost odevzdat zařízení po skončení jeho životnosti do odděleného sběru. Spotřebitelé by měli kontaktovat příslušné místní úřady nebo svého prodejce ohledně informací týkajících se správné likvidace starého zařízení.

# Popis pračky a zahájení pracího programu

## Ovládací panel



**Dávkovač pracích prostředků:** slouží k dávkování pracích prostředků a přídatných prostředků (viz „Prací prostředky a prádlo“).

Tlačítko **ON/OFF**: slouží k zapnutí a vypnutí pračky.

Otočný ovladač **PROGRAMŮ**: pro nastavení pracích programů. Během pracího programu zůstane ve stejné poloze.

**FUNKČNÍ** tlačítka s kontrolkami: slouží k volbě jednotlivých dostupných funkcí. Kontrolka zvolené funkce zůstane rozsvícena.

Otočný ovladač **ODSTŘEĐOVÁNÍ**: slouží k nastavení odstřeďování nebo k jeho vyloučení (viz „Uživatelská nastavení“).

Otočný ovladač **TEPLoty**: slouží k nastavení teploty praní nebo praní ve studené vodě (viz „Uživatelská nastavení“).

Kontrolky **PRŮBĚHU PRACÍHO CYKLU/ODLOŽENÉHO STARTU**: slouží ke kontrole průběhu pracího programu. Rozsvícená kontrolka poukazuje na probíhající fázi. V případě, že byla nastavena funkce „Odloženého startu“, budou informovat o čase zbývajícím do zahájení pracího programu (viz vedlejší strana).

Kontrolka **ZABLOKOVANÁ DVÍŘKA**: informuje o tom, zda je možné otevřít dvířka (viz vedlejší strana).

Tlačítko s kontrolkou **START/PAUSE**: Slouží ke spuštění nebo dočasnému přerušení programů.

**POZN.:** Stisknutí tohoto tlačítka slouží k přerušení probíhajícího praní; příslušná kontrolka bude blikat oranžovým světlem, zatímco kontrolka probíhající fáze zůstane rozsvícena stálým světlem. Když bude kontrolka **ZABLOKOVANÁ DVÍŘKA** zhasnuta, bude možné otevřít dvířka (vyčkejte přibližně 3 minuty). Za účelem opětovného zahájení praní z bodu, ve kterém bylo přerušeno, znovu stiskněte toto tlačítko.

### Pohotovostní režim

Za účelem shody s novými předpisy souvisejícími s energetickou úsporou je tato pračka vybavena systémem automatického vypnutí (přechodu do pohotovostního režimu – standby), který je aktivován po uplynutí několika minut, když se pračka nepoužívá. Krátce stiskněte tlačítko ON-OFF (ZAPNOUT-VYPNOUT) a vyčkejte na obnovení činnosti zařízení.

## Kontrolky

Kontrolky jsou zdrojem důležitých informací. Informují nás o následujících skutečnostech:

### Odložený start

Když byla aktivována funkce „Odloženého startu“ (viz „Uživatelská nastavení“), po zahájení pracího programu začne blikat příslušná kontrolka zvoleného odložení:

3h 

6h 

9h 

12h 

Průběžně bude zobrazován čas zbývající do startu a zobrazování bude prováděno blikáním příslušné kontrolky:

3h 

6h 

9h 

12h 


Po uplynutí zvolené doby odložení dojde k zahájení nastaveného programu.


### Kontrolka aktuální fáze pracího programu:

Po zvolení a zahájení požadovaného pracího cyklu dojde k postupnému rozsvícení kontrolky informující o jeho průběhu.

Praní 

Máchání 

Odstředování 

Odčerpání vody 

Ukončení praní 

### Funkční tlačítka a příslušné kontrolky

Po zvolení konkrétní funkce dojde k rozsvícení příslušné kontrolky.


V případě, že zvolená funkce není kompatibilní s nastaveným pracím programem, příslušná kontrolka začne blikat a funkce nebude aktivována.

V případě, že zvolená funkce není kompatibilní s jinou předem zvolenou funkcí, kontrolka první funkce bude blikat a bude aktivována pouze druhá, přičemž kontrolka zvolené funkce se rozsvítí stálým světlem.

### Kontrolka zablokovaných dvířek

Rozsvícení této kontrolky poukazuje na to, že dvířka jsou zajištěna kvůli zamezení náhodnému otevření; aby se zabránilo poškození dvířek, před jejich otevřením je třeba vyčkat, dokud uvedená kontrolka nezhasne; (vyčkejte přibližně 3 minuty). Za účelem otevření dvířek v průběhu pracího cyklu stiskněte tlačítko START/PAUSE; když bude kontrolka ZABLOKOVANÁ DVÍŘKA zhasnutá, bude možné otevřít dvířka.

## Zahájení pracího programu

1. Zapněte pračku stisknutím tlačítka ON/OFF. Všechny kontrolky se rozsvítí na několik sekund, poté se zhasnou a bude blikat kontrolka START/PAUSE.
2. Naplňte pračku a zavřete dvířka.
3. Otočným ovladačem PROGRAMŮ nastavte požadovaný prací program.
4. Nastavte teplotu praní (viz „Uživatelská nastavení“).
5. Nastavte rychlost odstředování (viz „Uživatelská nastavení“).
6. Nadávkujte prací prostředek a přídatné prostředky (viz „Prací prostředky a prádlo“).
7. Zvolte požadované funkce.
8. Zahajte prací program stisknutím tlačítka START/PAUSE a příslušná kontrolka zůstane rozsvícena stálým světlem zelené barvy. Zrušení nastaveného pracího cyklu se provádí přerušením činnosti zařízení stisknutím tlačítka START/PAUSE a volbou nového cyklu.
9. Po ukončení pracího programu se rozsvítí kontrolka END. Po zhasnutí kontrolky ZABLOKOVANÁ DVÍŘKA  bude možné otevřít dvířka (vyčkejte přibližně 3 minuty). Vytáhněte prádlo a nechte dvířka pootevřená, aby bylo umožněno vysušení bubnu. Vypněte pračku stisknutím tlačítka ON/OFF.

# Prací programy

## Tabulka pracích programů

Programy	Popis programu	Max. teplota (°C)	Max. rychlost (otáčky za minutu)	Prací prostředky			Max. náplň (kg)	Zbytková vlhkost %	Spotřeba energie kWh	Celkové množství vody lt	Cycle duration
				Předpraní	Praní	Aviváz					
<b>Programy pro každodenní praní (Daily)</b>											
1	<b>Bavlna + předpraní:</b> mimořádně znečištěné bílé prádlo.	90°	1200	●	●	●	6	53	2,18	75	150'
2	<b>Standardní program pro bavlnu pro praní při 60°C (1):</b> silně znečištěné bílé a barevné prádlo z odolných tkanin.	60° (Max. 90°)	1200	-	●	●	6	53	1,03	49,0	190'
3	<b>Standardní program pro bavlnu pro praní při 40°C (2):</b> silně znečištěné bílé a barevné choulostivé prádlo.	40°	1200	-	●	●	6	53	0,86	69	180'
4	<b>Syntetika:</b> velmi znečištěné barevné prádlo z odolných tkanin.	60°	800	-	●	●	3,5	44	0,93	47	115'
4	<b>Syntetika (3):</b> částečně znečištěné barevné prádlo z odolných tkanin.	40°	800	-	●	●	3,5	44	0,57	46	100'
5	<b>Barevná bavlna:</b> málo znečištěné bílé a barevné choulostivé prádlo.	40°	1200	-	●	●	6	53	0,60	50	85'
<b>20° Zone</b>											
6	<b>Standardní program pro bavlnu pro praní při 20°C:</b> silně znečištěné bílé a barevné choulostivé prádlo.	20°	1200	-	●	●	6	-	-	-	170'
7	<b>Mix Light</b>	20°	800	-	●	●	6	-	-	-	120'
8	<b>20' Refresh</b>	20°	800	-	●	●	1,5	-	-	-	20'
<b>Speciální programy (Special)</b>											
9	<b>Hedvábí/Záclony:</b> pro prádlo z hedvábí, viskózy, spodní prádlo.	30°	0	-	●	●	1	-	-	-	55'
10	<b>Vlna:</b> pro vlnu, kašmír atd.	40°	800	-	●	●	1,5	-	-	-	70'
11	<b>Jeans</b>	40°	800	-	●	●	3,5	-	-	-	75'
<b>Sport</b>											
12	<b>Sport Intensive</b>	30°	600	-	●	●	2,5	-	-	-	85'
13	<b>Sport Light</b>	30°	600	-	●	●	2,5	-	-	-	60'
14	<b>Sport Shoes</b>	30°	600	-	●	●	Max. 2 páry.	-	-	-	60'
<b>Dílní programy</b>											
	Máchání	-	1200	-	-	●	6	-	-	-	36'
	Odstředování + Odčerpání vody	-	1200	-	-	-	6	-	-	-	16'

Doba trvání cyklu uvedená na displeji nebo v návodu představuje odhad vypočítaný na základě standardních podmínek. Skutečná doba se může měnit v závislosti na četných faktorech, jako je např. teplota a tlak vody na vstupu, teplota prostředí, množství pracího prostředku, množství a druh náplně, vyvážení náplně a zvolené volitelné funkce.

**1) Kontrolní program podle normy 1061/2010: nastavte program 2 s teplotou 60°C.**

Tento cyklus je vhodný pro praní běžně znečištěné bavlny a jedná se o neúčinnější cyklus z hlediska kombinované spotřeby energie a vody určený pro prádlo, které lze prát při teplotě do 60 °C. Skutečná teplota praní se může lišit od uvedené.

**2) Kontrolní program podle normy 1061/2010: nastavte program 3 s teplotou 40°C.**

Tento cyklus je vhodný pro praní běžně znečištěné bavlny a jedná se o neúčinnější cyklus z hlediska kombinované spotřeby energie a vody určený pro prádlo, které lze prát při teplotě do 40°C. Skutečná teplota praní se může lišit od uvedené.

**Pro všechny Kontrolní ústavy:**

2) Dlouhý program na praní bavlny: nastavte program 3 s teplotou 40°C.

3) Syntetický program spolu: nastavte program 4 s teplotou 40°C.

**Sport Intensive** (program 12) byl navržen pro velmi znečištěné látky sportovního oblečení (teplákové soupravy, šortky apod.); pro dosažení optimálních výsledků se doporučuje nepřekračovat maximální náplň uvedenou v "Tabulka pracích programů".

**Sport Light** (program 13) byl navržen pro mírně znečištěné látky sportovního oblečení (teplákové soupravy, šortky apod.); pro dosažení optimálních výsledků se doporučuje nepřekračovat maximální náplň uvedenou v "Tabulka pracích programů". Doporučuje se použít tekuté prací prostředky a použít dávku vhodnou pro poloviční náplň.

**Sport Shoes** (program 14) byl navržen pro praní sportovní obuvi; pro dosažení optimálních výsledků nepřete více než 2 páry najednou.

**Programy 20° (20° Zone)** nabízejí dobrou výkonnost praní při nízkých teplotách, přičemž umožňují nižší použití elektrické energie s výhodami pro finanční úsporu i pro životní prostředí. Programy 20° vyhovují všem požadavkům: **Standardní program pro bavlnu pro praní při 20°C** (program 6) ideální pro náplně ze znečištěné bavlny. Dobrá výkonnost i za studena, srovnatelná s praním při 40 °C, je zaručena mechanickým působením, které je založeno na změně rychlosti v krátkých nebo dlouhých intervalech.

**Mix Light** (program 7) ideální pro smíšené náplně (bavlna a syntetika), tvořené středně znečištěným prádlem. Dobrá výkonnost praní i za studena je zaručena mechanickým působením, které je založeno na změně rychlosti ve středních nebo určených intervalech.

**20' Refresh** (program 8) osvěžení ideální cyklus pro osvěžení a praní mírně znečištěného prádla v průběhu pár minut. Trvá pouze 20 minut a šetří tak čas i energii. Umožňuje prát dohromady tkaniny různého druhu (s výjimkou vlny a hedvábí) při náplni nepřesahující 1,5 kg.

## Nastavení teploty

Otáčením otočného ovladače TEPLOTY se nastavuje teplota praní (viz *Tabulka programů*).

Teplota může být postupně snižována až po praní ve studené vodě (☼).

Zařízení automaticky zabrání nastavení vyšší teploty, než je maximální teplota pro každý prací program.

! Výjimka: při volbě programu **2** bude možné zvýšit teplotu až na 90°C.

## Nastavení odstředování

Otáčením otočného ovladače ODSTŘEĐOVÁNÍ se nastavuje rychlost odstředování zvoleného pracího programu.

Maximální rychlosti pro jednotlivé prací programy jsou:

Programy	Maximální rychlost
Bavlna	1200 otáček za minutu
Syntetika	800 otáček za minutu
Vlna	800 otáček za minutu
Hedvábí	pouze odčerpání vody

Rychlost odstředování může být snížena nebo může být odstředování vyloučeno volbou symbolu (☼).

Zařízení automaticky zabrání odstředování vyšší rychlostí, než je maximální rychlost pro každý prací program.

## Funkce

Jednotlivé funkce, kterými pračka disponuje, umožňují dosáhnout požadovaného stupně čistoty a bělosti praného prádla.

Způsob aktivace jednotlivých funkcí:

1. stisknete příslušné tlačítko požadované funkce;
2. rozsvícení příslušné kontrolky signalizuje, že došlo k aktivaci zvolené funkce.


**Poznámka:** Rychlé blikání kontrolky poukazuje na to, že příslušná funkce je nepoužitelná během nastaveného pracího programu.

### EcoTime

Volbou této volitelné funkce se bude mechanický pohon, teplota a voda optimalizovat pro sníženou náplň mírně znečištěné bavlny a syntetických materiálů *“Tabulka pracích programů”*. Při použití “EcoTime” můžete pracovat s kratšími dobami a ušetřit vodu a energii. Doporučuje se používat dávku tekutého pracího prostředku vhodnou pro naplněné množství.

! Tato funkce není použitelná u programů 1, 6, 7, 8, 9, 10, 11, 12, 13, 14, ☼, ☼.

### Energy Savér

Funkce  Energy Savér přispívá k energetické úspoře tím, že neohřívá vodu použitou pro praní prádla – jedná se o výhodu pro životní prostředí i pro účet za elektrickou energii. Zesílený účinek a optimalizovaná spotřeba vody vskutku zaručují optimální výsledky během stejné průměrné doby odpovídající standardnímu cyklu. Pro dosažení lepších výsledků praní se doporučuje použít tekutý prací prostředek.

! Tato funkce není použitelná u programů 1, 6, 7, 8, 9, 10, 12, 13, 14, ☼, ☼.

### Extra máchání

Volbou této volitelné funkce se zvýší účinnost máchání a zajistí se maximální stupeň odstranění pracího prostředku. Je užitečná zejména pro mimořádně citlivé pokožky.

! Tato funkce není použitelná u programů 8, ☼.

### Odložený start

Slouží k odložení zahájení pracího cyklu až o 12 hodin.

Opakovaně stisknete tlačítko až do rozsvícení kontrolky označující požadovanou dobu odložení. Po pátém stisknutí tlačítka dojde k vyloučení uvedené funkce.

**POZN.:** Po stisknutí tlačítka START/PAUSE je možné změnit hodnotu odložení pouze ve smyslu jejího snížení, a to až do zahájení nastaveného programu.

! Je aktivní u všech pracích programů.

# Prací prostředky a prádlo

CZ

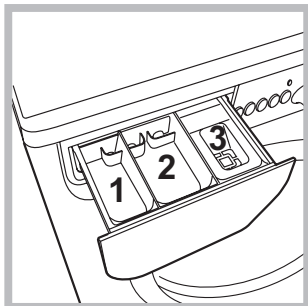
## Dávkovač pracích prostředků

Dobrý výsledek praní závisí také na správném dávkování pracího prostředku: použití jeho nadměrného množství snižuje efektivitu praní a napomáhá tvorbě vodního kamene na vnitřních částech pračky a zvyšuje znečištění životního prostředí.

! Nepoužívejte prací prostředky určené pro ruční praní, protože způsobují tvorbu nadměrného množství pěny.

! Pro předpírku a praní při teplotě vyšší než 60 °C použijte práškové prací prostředky pro bílé bavlněné prádlo.

! Dodržujte pokyny uvedené na obalu pracího prostředku.



Při vytahování dávkovače pracích prostředků a při jeho plnění pracími nebo přídatnými prostředky postupujte následovně.

**příhrádka 1: Prací prostředek (práškový) pro předpírání**

**příhrádka 2: Prací prostředek (práškový anebo tekutý) pro praní**

Tekutý prací prostředek se nalévá pouze těsně před uvedením do chodu.

**příhrádka 3: Přídatné prostředky (aviváž, atd.)**

Aviváž nesmí vytékat z mřížky.

## Příprava prádla

- Roztřídte prádlo podle:
  - druhu tkaniny / symbolu na visačce.
  - barvy: oddělte barevné prádlo od bílého.
- Vyprázdněte kapsy a zkontrolujte knoflíky.
- Nepřekračujte hodnoty povolené náplně, uvedené v „*Tabulka pracích programů*“, vztahující se na hmotnost suchého prádla.


## Kolik váží prádlo?

- 1 prostěradlo 400-500 g
- 1 povlak na polštář 150-200 g
- 1 ubrus 400-500 g
- 1 župan 900-1.200 g
- 1 ručník 150-250 g

## Oděvy vyžadující zvláštní péči

**Hedvábí:** použijte příslušný program **9** pro praní všeho prádla z hedvábí. Doporučujeme použití pracího prostředku pro choulostivé prádlo.

**Záclony:** přehnout je a uložit dovnitř povlaku na polštář anebo do sáčku ze síťoviny. Použijte program **9**.

**Vlna:** S programem **10** je možné prát v pračce všechny druhy vlněného prádla, také ty, které jsou označeny visačkou „prát pouze v ruce“ . Pro dosažení optimálních výsledků používejte specifický prací prostředek a nepřekračujte 1,5 kg prádla.

**Jeans:** převraťte prádlo naruby a použijte tekutý prací prostředek. Použijte program **11**.

## System automatického vyvážení náplně

Před každým odstředováním buben provede otáčení rychlostí lehce převyšující rychlost praní, aby se odstranily vibrace a aby se náplň rovnoměrně rozložila. V případě, že po několikanásobných pokusech o vyvážení prádlo ještě nebude správně vyváženo, zařízení provede odstředování nižší rychlostí, než je přednastavená rychlost. Za přítomnosti nadměrného nevyvážení pračka provede namísto odstředování vyvážení. Za účelem dosažení rovnoměrnějšího rozložení náplně a jejího správného vyvážení se doporučuje míchat velké a malé kusy prádla.

Může se stát, že pračka nebude fungovat. Dříve, než zatelefonujete na Servisní službu (viz „*Servisní služba*“), zkontrolujte, zda se nejedná o problém, který lze snadno vyřešit s pomocí následujícího seznamu.

## Poruchy:

## Možné příčiny / Způsob jejich odstranění:

### Pračku nelze zapnout.

- Zástrčka není zasunuta v zásuvce nebo není zasunuta natolik, aby došlo ke spojení kontaktů.
- V celém domě je vypnutý proud.

### Nedochází k zahájení pracího cyklu.

- Nejsou řádně zavřená dvířka.
- Nebylo stisknuto tlačítko ON/OFF.
- Nebylo stisknuto tlačítko START/PAUSE.
- Nebyl otevřen kohout přívodu vody.
- Byl nastaven odložený start (viz „*Uživatelská nastavení*“).

### Pračka nenapouští vodu (rychle bliká kontrolka první fáze praní).

- Přívodní hadice není připojena k vodovodnímu kohoutu.
- Hadice je příliš ohnutá.
- Nebyl otevřen kohout přívodu vody.
- V celém domě je uzavřený přívod vody.
- V rozvodu vody není dostatečný tlak.
- Nebylo stisknuto tlačítko START/PAUSE.

### Dochází k nepřetržitému napouštění a odčerpávání vody.

- Vypouštěcí hadice se nachází mimo určené rozmezí od 65 do 100 cm nad zemí (viz „*Instalace*“).
- Koncová část vypouštěcí hadice je ponořena ve vodě (viz „*Instalace*“).
- Odpad ve stěně není vybaven odvodušňovacím otvorem.

Když ani po uvedených kontrolách nedojde k odstranění problému, uzavřete přívod vody, vypněte pračku a přivolejte Servisní službu. V případě, že se byt nachází na jednom z nejvyšších poschodí, je možné, že dochází k sifonovému efektu, jehož následkem pračka nepřetržitě napouští a odčerpává vodu. Pro odstranění uvedeného efektu jsou v prodeji běžně dostupné speciální protisifonové ventily.

### Nedochází k vyčerpání vody nebo k odstředování.

- Odčerpání vody netvoří součást nastaveného programu: u některých programů je třeba jej aktivovat manuálně.
- Vypouštěcí hadice je ohnutá (viz „*Instalace*“).
- Odpadové potrubí je ucpáno.

### Během odstředování je možné pozorovat silné vibrace pračky.

- Během instalace nebyl buben odjištěn předepsaným způsobem (viz „*Instalace*“).
- Pračka není dokonale vyrovnaná do vodorovné polohy (viz „*Instalace*“).
- Pračka je stlačena mezi nábytkem a stěnou (viz „*Instalace*“).

### Dochází k úniku vody z pračky.

- Přítoková hadice není správně zašroubována (viz „*Instalace*“).
- Dávkovač pracích prostředků je ucpán (způsob jeho vyčištění je uveden v části „*Údržba a péče*“).
- Vypouštěcí hadice není upevněna předepsaným způsobem (viz „*Instalace*“).

### Kontrolky „volitelné funkce“ a kontrolka „START/PAUSE“ blikají a jedna z kontrollek „probíhající fáze“ a „zablokovaná dvířka“ se rozsvítí stálým světlem.

- Vypněte zařízení a vytáhněte zástrčku ze zásuvky, vyčkejte přibližně 1 minutu a opětovně jej zapněte.  
Když porucha přetrvává, obraťte se na Servisní službu.

### Dochází k tvorbě nadměrného množství pěny.

- Použitý prací prostředek není vhodný pro použití v automatické pračce (musí obsahovat označení „pro praní v pračce“, „pro ruční praní nebo pro praní v pračce“ nebo podobné označení).
- Bylo použito jeho nadměrné množství.

# Servisní služba

CZ

## Před přivoláním Servisní služby:

- Zkontrolujte, zda nejste schopni poruchu odstranit sami (viz „Poruchy a způsob jejich odstranění“);
- Opětovně uveďte do chodu prací program, abyste ověřili, zda byla porucha odstraněna;
- V opačném případě se obraťte na Centrum servisní služby na telefonním čísle uvedeném na záručním listu.

! Nikdy se neobracejte s žádostí o pomoc na techniky, kteří nejsou k výkonu této činnosti oprávněni.

## Při hlášení poruchy uveďte:

- druh poruchy;
- model zařízení (Mod.);
- výrobní číslo (S/N).

Tyto informace jsou uvedeny na štítku aplikovaném na zadní část pračky a v její přední části, dostupné po otevření dvířek.

## NAŘÍZENÍ KOMISE V PŘENESENÉ PRÁVOMOCI (EU) č. 1061/2010

Značka	INDESIT
Model	IWC 61251 C ECO EU
Imenovitá kapacita bavlněné látky v kg	6.0
Třída energetické účinnosti na stupnici A+++ (nejnižší spotřeba) až G (vysoká spotřeba)	A+
Roční spotřeba energie v kWh <sup>1)</sup>	193.0
Spotřeba energie standardního programu pro bavlnu pro praní při 60 °C s celou náplní v kWh <sup>2)</sup>	1.03
Spotřeba energie standardního programu pro bavlnu pro praní při 60 °C s poloviční náplní v kWh <sup>2)</sup>	0.775
Spotřeba energie standardního programu pro bavlnu pro praní při 40 °C s poloviční náplní v kWh <sup>2)</sup>	0.611
Vážená spotřeba energie ve vypnutém stavu ve W	0.5
Vážená spotřeba energie v režimu ponechání v zapnutém stavu ve W	8.0
Roční spotřeba vody v litrech <sup>3)</sup>	8643
Třída účinnosti sušení odstředováním na stupnici od G (nejmenší účinnost) do A (nejvyšší účinnost)	B
Maximální otáčky při odstředování <sup>4)</sup>	1200
Zbytkový obsah vlhkosti v % <sup>5)</sup>	53%
Trvání „standardního programu pro bavlnu pro praní při 60 °C“ s celou náplní v minutách.	190
Trvání „standardního programu pro bavlnu pro praní při 60 °C“ s poloviční náplní v minutách.	160
Trvání „standardního programu pro bavlnu pro praní při 40 °C“ s poloviční náplní v minutách.	155
Trvání režimu ponechání v zapnutém stavu v minutách	30
Emise hluku v dB(A) re 1 pW během praní <sup>6)</sup>	60
Emise hluku v dB(A) re 1 pW během odstředování <sup>6)</sup>	75

<sup>1)</sup> Standardní program pro bavlnu pro praní při 60 °C s celou náplní a poloviční náplní a standardní program pro bavlnu pro praní při 40 °C s poloviční náplní jsou standardní prací programy, na které se vztahují informace uvedené na energetickém štítku a v informačním listu. Tyto programy jsou vhodné pro praní běžně znečištěného bavlněného prádla a jedná se o neúčinnější programy z hlediska kombinované spotřeby energie a vody.

<sup>2)</sup> Na základě 220 standardních pracích cyklů s programy pro bavlnu pro praní při 60 °C a 40 °C s celou a poloviční náplní a spotřeba v režimech s nízkou spotřebou energie. Skutečná spotřeba energie bude záviset na tom, jak je spotřebič používán.

<sup>3)</sup> Na základě 220 standardních pracích cyklů s programy pro bavlnu pro praní při 60 °C a 40 °C s celou a poloviční náplní. Skutečná spotřeba vody bude záviset na tom, jak je spotřebič používán.

<sup>4)</sup> U standardního programu pro bavlnu pro praní při 60 °C s celou náplní nebo u standardního programu pro bavlnu pro praní při 40 °C s poloviční náplní podle toho, která hodnota je menší.

<sup>5)</sup> U standardního programu pro bavlnu pro praní při 60 °C s celou náplní nebo u standardního programu pro bavlnu pro praní při 40 °C s poloviční náplní podle toho, která hodnota je větší.

<sup>6)</sup> Během fázi praní a odstředování u standardního programu pro bavlnu pro praní při 60 °C s celou náplní.



SK

Slovensky

IWC 61251

## Obsah

### Inštalácia, 26-27

Rozbalenie a vyrovnanie do vodorovnej polohy  
Pripojenie k elektrickej a k vodovodnej sieti  
Prvý prací cyklus  
Technické údaje

### Údržba a starostlivosť, 28

Uzavretie prívodu vody a vypnutie elektrického napájania  
Čistenie práčky  
Čistenie dávkovača pracích prostriedkov  
Starostlivosť o dvierka a bubon  
Čistenie čerpadla  
Skontrolujte prítokovú hadicu vodu

### Opatrenia a rady, 29

Základné bezpečnostné pokyny  
Likvidácia

### Popis práčky a zahájenie pracieho programu, 30-31

Ovládací panel  
Kontrolky  
Zahájenie pracieho programu

### Pracie programy, 32

Tabuľka pracích programov

### Užívateľské nastavenia, 33

Nastavenie teploty  
Nastavenie odstreďovania  
Funkcie

### Pracie prostriedky a prádlo, 34

Dávkovač pracích prostriedkov  
Príprava prádla  
Prádlo vyžadujúce osobitnú starostlivosť  
Systém automatického vyváženia náplne

### Poruchy a spôsob ich odstránenia, 35

### Servisná služba, 36

# Inštalácia

SK

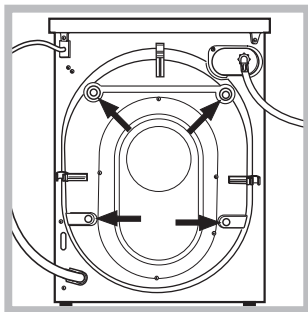
! Je veľmi dôležité uschovať tento návod kvôli prípadnému ďalšiemu použitiu. V prípade predaja, darovania alebo presťahovania práčky sa uistite, že zostane uložený v jej blízkosti, aby mohol poslúžiť novému majiteľovi pri oboznámení sa s činnosťou a s príslušnými upozoreniami.

! Pozorne si prečítajte uvedené pokyny: obsahujú dôležité informácie, týkajúce sa inštalácie, použitia a bezpečnosti pri práci.

## Rozbalenie a vyrovnanie do vodorovnej polohy

### Rozbalenie

1. Rozbaľte práčku.
2. Skontrolujte, či počas prepravy nedošlo k jej poškodeniu. V prípade, že je poškodená, nezapájajte ju a obráťte sa na predajcu.



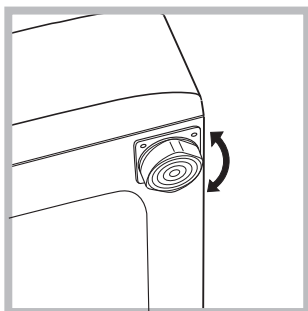
3. Odstráňte 4 skrutky slúžiace na ochranu počas prepravy a gumovú podložku s príslušným dištančným členom, ktoré sa nachádzajú v zadnej časti (vid' obrázok).

4. Uzatvorte otvory po skrutkách plastovými krytkami z príslušenstva.
5. Uschovajte všetky diely: v prípade opätovnej prepravy práčky ich bude potrebné opätovne namontovať.

! Obaly nie sú hračky pre deti!

### Vyrovnanie do vodorovnej polohy

1. Práčku je potrebné umiestniť na rovnú a pevnú podlahu tak, aby nebola opretá o stenu, nábytok alebo o niečo iné.

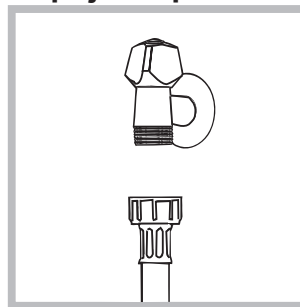


2. V prípade, že podlaha nie je dokonale vodorovná, môžu byť prípadné rozdiely vykompenzované skrútkovaním predných nožičiek (vid' obrázok); Uhol sklonu, nameraný na pracovnej ploche, nesmie presiahnuť 2°.

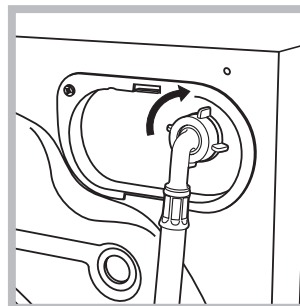
Dokonalé vyrovnanie do vodorovnej polohy zabezpečí stabilitu zariadenia a zamedzí vzniku vibrácií a hluku počas činnosti. V prípade inštalácie na podlahovú krytinu alebo na koberec, nastavte nožičky tak, aby pod práčkou zostal dostatočný voľný priestor na ventiláciu.

## Prípojenie k elektrickej a k vodovodnej sieti

### Prípojenie prítokovej hadice vody



1. Pripojte prívodnú hadicu jej zaskrutkovaním ku kohútiku so studenou vodou s hrdlom so závitom 3/4" (vid' obrázok). Pred pripojením hadice nechajte vodu odtiecť, až kým nebude číra.



2. Pripojte prítokovú hadicu k práčke, jej zaskrutkovaním k príslušnej prípojke na vodu, umiestnenej vpravo hore (vid' obrázok).

3. Zabezpečte, aby hadica nebola príliš ohnutá alebo stlačená.

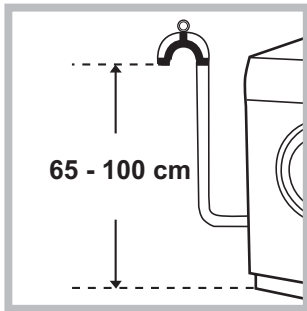
! Tlak v rozvode vody sa musí pohybovať v rozmedzí hodnôt uvedených v tabuľke s technickými údajmi (vid' vedľajšia strana).

! V prípade, že dĺžka prítokovej hadice nebude dostatočná, obráťte sa na špecializovanú predajňu alebo na autorizovaný technický personál.

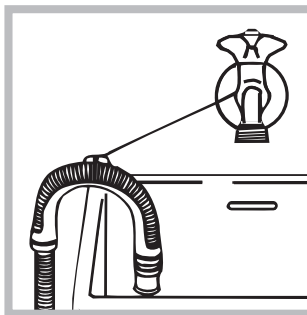
! Nikdy nepoužívajte už použité hadice.

! Používajte hadice z príslušenstva zariadenia.

## Pripojenie vypúšťacej hadice



Pripojte vypúšťaciu hadicu, bez toho aby ste ju ohli, k odpadovému potrubiu alebo k odpadu v stene, ktorý sa nachádza od 65 do 100 cm nad zemou;



alebo ju uchyťte k okraju umývadla či vane, a pripevnite vodiaci držiak z príslušenstva ku kohútu (vid' obrázok). Voľný koniec vypúšťacej hadice nesmie zostať ponorený do vody.

! Použitie predlžovacích hadíc sa neodporúča; ak je však nevyhnutné, predlžovacia hadica musí mať rovnaký priemer ako originálna hadica a jej dĺžka nesmie presiahnuť 150 cm.

## Pripojenie k elektrickej sieti

Pred zasunutím zástrčky do zásuvky sa uistite, že:

- zásuvka je uzemnená a že vyhovuje normám;
- zásuvka je schopná uniesť maximálnu záťaž odpovedajúcu menovitému príkonu zariadenia, uvedenému v tabuľke s technickými údajmi (vid' vedľa);
- hodnota napájacieho napätia odpovedá údajom uvedeným v tabuľke s technickými údajmi (vid' vedľa);
- zásuvka je kompatibilná so zástrčkou práčky. V opačnom prípade je potrebné vymeniť zásuvku alebo zástrčku.

! Práčka nesmie byť umiestnená vonku – pod holým nebom, a to ani v prípade, keby sa jednalo o miesto chránené pred nepriazňou počasia, pretože je veľmi nebezpečné vystaviť ju dažďu a búrkam.

! Po ukončení inštalácie musí zásuvka zostať ľahko prístupná.

! Nepoužívajte predlžovacie káble a rozvodky.



! Kábel nesmie byť ohnutý alebo pritlačený.

! Výmena kábla musí byť zverená výhradne autorizovanému technickému personálu.

Upozornenie! Výrobca neponesie žiadnu zodpovednosť za následky spôsobené nerešpektovaním týchto pokynov.

## Prvý prací cyklus

Po inštalácii zariadenia je potrebné ešte pred jeho použitím vykonať jeden skúšobný cyklus s pracím prostriedkom a bez náplne prádla, nastavením pracieho programu 2.

Technické údaje	
<b>Model</b>	IWC 61251
<b>Rozmery</b>	šírka 59,5 cm výška 85 cm hĺbka 53,5 cm
<b>Kapacita</b>	od 1 do 6 kg
<b>Elektrické zapojení</b>	Vid' štítok s technickými údajmi, aplikovaný na zariadení.
<b>Pripojenie k rozvodu vody</b>	maximálny tlak 1 MPa (10 bar) maximálny tlak 0,05 MPa (0.5 bar) kapacita bubna 52 litrov
<b>Rýchlosť odstreďovania</b>	Až do 1200 otáčok za minútu
<b>Kontrolné programy podľa smerníc 1061/2010 a 1015/2010</b>	Program 2: štandardný program pre bavlnu pri 60°C. Program 3: štandardný program pre bavlnu pri 40°C.
 	Toto zariadenie je v zhode s nasledujúcimi smernicami Európskej únie: - 2004/108/CE (Elektromagnetická kompatibilita) - 2006/95/CE (Nízke napätie) - 2012/19/EU

# Údržba a starostlivosť

SK

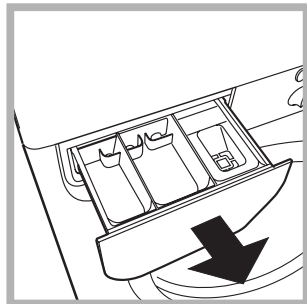
## Uzavretie prívodu vody a vypnutie elektrického napájania

- Po každom praní uzatvorte prívod vody. Týmto spôsobom sa znižuje opotrebenie rozvodu vody zariadenia a znižuje sa nebezpečenstvo úniku vody.
- Pred zahájením čistenia práčky a počas údržby je potrebné vytiahnuť zástrčku prívodného kábla zo zásuvky.

## Čistenie práčky

Vonkajšie časti a časti z gumy môžu byť čistené utierkou navlhčenou vo vlažnej vode a saponáte. Nepoužívajte rozpúšťadlá alebo abrazívne prostriedky.

## Čistenie dávkovača pracích prostriedkov



Vytiahnite dávkovač jeho nadvihnutím a vytiahnutím smerom von (vid' obrázok). Dávkovač umyte pod prúdom vody; toto čistenie je potrebné vykonávať pravidelne.

## Starostlivosť o dvierka a bubon

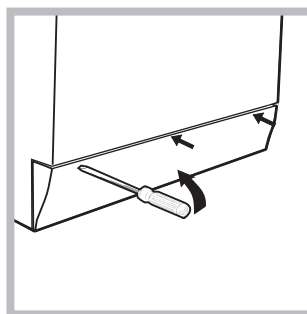
- Dvierka ponechajte zakaždým pootvorené, aby sa zabránilo tvorbe nepríjemných zápachov.

## Čistenie čerpadla

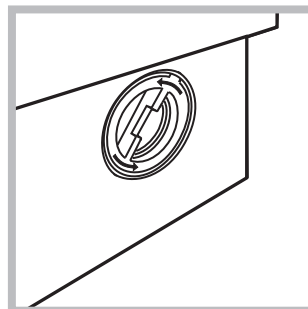
Súčasťou práčky je samočistiace čerpadlo, ktoré nevyžaduje údržbu. Môže sa však stať, že sa v jeho vstupnej ochrannej časti, nachádzajúcej na spodku, zachytia drobné predmety (mince, gombíky).

! Uistite sa, že prací cyklus bol ukončený a vytiahnite zástrčku zo zásuvky.

Prístup k vstupnej časti čerpadla:



1. pomocou skrutkovača odstráňte krycí panel, nachádzajúci sa v prednej časti práčky (vid' obrázok);



2. odskrutkujte veko otáčaním proti smeru hodinových ručičiek (vid' obrázok): vytečenie malého množstva vody je úplne bežným javom;

3. dokonale vyčistite vnútro;
4. nasadte naspäť veko;
5. namontujte naspäť krycí panel, pričom sa pred jeho prisunutím k práčke uistite, že došlo k správne mu zachyteniu háčikov do príslušných otvorov.

## Skontrolujte prítokovú hadicu vodu

Stav prítokovej hadice je potrebné skontrolovať aspoň raz ročne. Ak sú na nej viditeľné praskliny alebo trhliny, je potrebné ju vymeniť: silný tlak v hadici počas pracieho cyklu by mohol spôsobiť jej náhle roztrhnutie.

! Nikdy nepoužívajte už použité hadice.

! Práčka bola navrhnutá a vyrobená v súlade s platnými medzinárodnými bezpečnostnými predpismi. Tieto upozornenia sú uvádzané z bezpečnostných dôvodov a je potrebné si ich pozorne prečítať.

## Základné bezpečnostné pokyny

- Toto zariadenie bolo navrhnuté výhradne na použitie ako spotrebič.
- Toto zariadenie smú používať deti od 8 rokov, osoby náležite vyškolené ohľadne bezpečného použitia zariadenia, ktoré si uvedomujú súvisiace nebezpečenstvo a v prípade dozoru aj osoby so zníženými fyzickými, senzorickými alebo duševnými schopnosťami alebo osoby s nedostatočnými skúsenosťami a znalosťami. Deti sa so zariadením nesmú hrať. Operácie údržby a čistenia nesmú vykonávať deti bez dohľadu.
- Nedotýkajte sa zariadenia bosí, alebo v prípade, keď máte mokré ruky alebo nohy.
- Nevyťahujte zástrčku zo zásuvky ťahaním za kábel, ale uchopením za zástrčku.
- Neotvárajte dávkovač pracích prostriedkov počas činnosti zariadenia.
- Nedotýkajte sa odčerpávanej vody, pretože môže mať veľmi vysokú teplotu.
- V žiadnom prípade sa nepokúšajte o násilné otvorenie dvierok: mohlo by dôjsť k poškodeniu bezpečnostného uzáveru, ktorý zabraňuje náhodnému otvoreniu.
- Pri výskyte poruchy sa v žiadnom prípade nepokúšajte o opravu vnútorných častí zariadenia.
- Vždy majte pod kontrolou deti a zabráňte tomu, aby sa približovali k zariadeniu počas pracieho cyklu.
- Počas pracieho cyklu majú dvierka tendenciu zohrievať sa.
- Ak je potrebné ju presunúť, je dobré poveriť dve alebo tri osoby a vykonať to s maximálnou pozornosťou. Nikdy sa nepokúšajte zariadenie premiestňovať sami, pretože je veľmi ťažké.
- Pred zahájením vkladania prádla skontrolujte, či je bubon prázdny.

## Likvidácia

- Likvidácia obalových materiálov: pri ich odstránení postupujte v súlade s miestnymi predpismi a dbajte na možnú recykláciu.
- Európska smernica 2012/19/EU o odpadových elektrických a elektronických zariadeniach stanovuje, že staré domáce elektrické spotrebiče nesmú byť odkladané do bežného netriedeného domového odpadu. Staré spotrebiče musia byť odovzdané do oddeleného zberu a to za účelom recyklácie a optimálneho využitia materiálov, ktoré obsahujú, z dôvodu prevencie negatívneho dopadu na ľudské zdravie a životné prostredie.

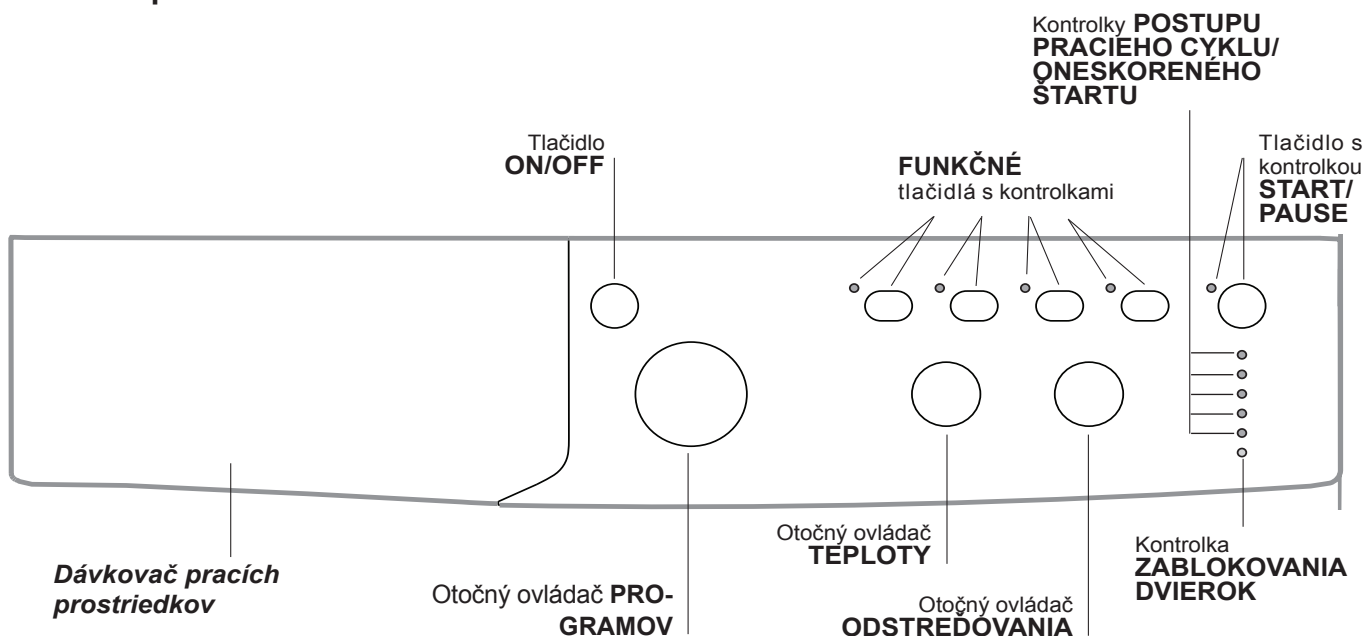
Symbol “prečiarknutej popolnice” na výrobku Vás upozorňuje na povinnosť odovzdať zariadenie po skončení jeho životnosti do oddeleného zberu.

Spotrebitelia majú povinnosť kontaktovať ich lokálny úrad alebo maloobchod kvôli informáciám týkajúcich sa správneho odovzdaniu a likvidácie ich starých spotrebičov.

# Popis práčky a zahájenie pracieho programu

SK

## Ovládací panel



**Dávkovač pracích prostriedkov:** slúži na dávkovanie pracích prostriedkov a prídavných prostriedkov (vid' „Pracie prostriedky a prádlo“).

Tlačidlo **ON/OFF**: slúži na zapnutie a vypnutie práčky.

Otočný ovládač **PROGRAMOV**: pre nastavenie pracích programov. Počas pracieho programu zostane v rovnakej polohe.

**FUNKČNÉ** tlačidlá s kontrolkami: Slúžia na voľbu jednotlivých dostupných funkcií. Kontrolka zvolenej funkcie zostane rozsvietená.

Otočný ovládač **ODSTREĐOVANIA**: slúži na nastavenie odstreďovania alebo na jeho vylúčenie (vid' „Užívateľské nastavenia“).

Otočný ovládač **TEPLoty**: slúži na nastavenie teploty alebo prania alebo prania v studenej vode (vid' „Užívateľské nastavenia“).

Kontrolky **POSTUPU PRACIEHO CYKLU/ONESKORENÉHO ŠTARTU**: slúžia na kontrolu postupu pracieho programu.

Rozsvietená kontrolka poukazuje na prebiehajúcu fázu. Ak je nastavená funkcia „Oneskoreného štartu“, budú zobrazovať čas zostávajúci do zahájenia programu (vid' vedľajšia strana).

Kontrolka **ZABLOKOVANIA DVIEROK**: informuje o tom, či je možné otvoriť dverka (vid' vedľajšia strana).

Tlačidlo s kontrolkou **START/PAUSE**: slúži na zahájenie alebo na dočasné prerušenie programov.

**POZN.:** Stlačenie tohoto tlačidla slúži na prerušenie prebiehajúceho prania; príslušná kontrolka bude blikať oranžovým svetlom, zatiaľ čo kontrolka prebiehajúcej fázy zostane rozsvietená stálym svetlom. Keď bude kontrolka **ZABLOKOVANIA DVIEROK** zhasnutá, bude možné otvoriť dverka (vyčkajte približne 3 minúty). Pre opätovné zahájenie prania z bodu, v ktorom bolo prerušené, opätovne stlačte toto tlačidlo.

### Pohotovostný režim

Po skončení cyklu alebo v case, keď nie je spustený žiaden cyklus, po 30 minútach dôjde k vypnutiu zariadenia kvôli energetickej úspore. Na obnovenie činnosti zariadenia, nachádzajúceho sa v pohotovostnom režime, stačí stlačiť tlačidlo **ON/OFF**.

## Kontrolky

Kontrolky sú zdrojom dôležitých informácií. Informujú o nasledujúcich skutočnostiach:

### Oneskorený štart

Keď bola aktivovaná funkcia „Oneskoreného štartu“ (viď „Užívateľské nastavenia“), po zahájení pracieho programu začne blikať príslušná kontrolka zvoleného oneskorenia:



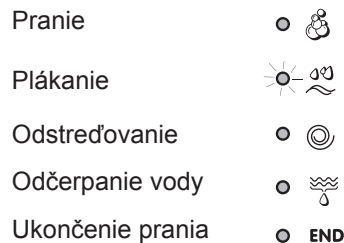
Priebežne bude zobrazovaný čas zostávajúci do štartu, a zobrazovanie bude sprevádzané blikaním príslušnej kontrolky:



Po uplynutí zvolenej doby oneskorenia dôjde k zahájeniu nastaveného programu.

### Kontrolky prebiehajúcej fázy

Po zvolení a zahájení požadovaného pracieho cyklu dôjde k postupnému rozsvetovaniu kontroliek informujúcich o jeho postupe.



### Funkčné tlačidlá a príslušné kontrolky


Po zvolení konkrétnej funkcie dôjde k rozsvieteniu príslušnej kontrolky.

Keď zvolenú funkciu nie je možné zaradiť do nastaveného programu, príslušná kontrolka bude blikať, budete počuť akustický signál a funkcia nebude aktivovaná. V prípade, že zvolená funkcia nie je kompatibilná s inou predtým zvolenou funkciou, kontrolka prvej voliteľnej funkcie bude blikať a bude aktivovaná len druhá, pričom kontrolka zvolenej funkcie sa rozsvieti stálym svetlom.

### Kontrolka zablokovania dvierok

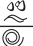

Rozsvietenie tejto kontrolky signalizuje, že dvierka sú zaistené kvôli zamedzeniu ich náhodnému otvoreniu; aby sa dvierka nepoškodili, pred ich otvorením je potrebné vyčkať, kým uvedená kontrolka nezhasne; (vyčkajte približne 3 minúty). Na otvorenie dvierok v priebehu pracieho cyklu stlačte tlačidlo START/PAUSE; keď bude kontrolka ZAISTENÉ DVIERKA zhasnutá, bude možné dvierka otvoriť.

## Zahájenie pracieho programu

1. Zapnite práčku stlačením tlačidla ON/OFF. Všetky kontrolky sa rozsvetia na niekoľko sekúnd, potom zhasnú a bude blikať kontrolka START/PAUSE.
2. Naplňte práčku a zatvorte dvierka.
3. Otočným ovládačom PROGRAMOV zvolte požadovaný prací program.
4. Nastavte teplotu prania (viď „Užívateľské nastavenia“).
5. Nastavte rýchlosť odstredovania (viď „Užívateľské nastavenia“).
6. slúži na dávkovanie pracieho prostriedku a prídavných prostriedkov (viď „Pracie prostriedky a prádlo“).
7. Zvolte požadované funkcie.
8. Zahájte prací program stlačením tlačidla START/PAUSEa príslušná kontrolka zostane rozsvietená stálym svetlom zelenej farby. Zrušenie nastaveného pracieho cyklu sa vykonáva prerušením činnosti zariadenia stlačením tlačidla START/PAUSEa voľbou nového cyklu.
9. Po ukončení pracieho programu sa rozsvieti kontrolka END. Po zhasnutí kontrolky ZABLOKOVANIA DVIEROK  bude možné dvierka otvoriť (vyčkajte približne 3 minúty). Vytiahnite prádlo a nechajte dvierka pootvorené, aby bolo umožnené vysušenie bubna. Zapnite práčku stlačením tlačidla ON/OFF.

# Pracie programy

Tabuľka pracích programov

Pracie programy	Popis programu	Max. Teplota (°C)	Max. rýchlosť (otáčky za minútu)	Pracie prostriedky			Max. náplň (kg)	Zvyšková vlhkosť %	Spotreba energie kWh	Voda celkom lit	Doba trvania cyklu
				Pred-pranie	Pranie	Avivaz					
<b>Denné (Daily)</b>											
1	<b>Bavlna + Predpranie:</b> Mimoriadne špinavé biele prádlo.	90°	1200	●	●	●	6	53	2,18	75	150'
2	<b>Štandardný program pre bavlnu pri 60°C (1):</b> Znacne špinavé biele a farebné prádlo z odolných tkanín.	60° (Max. 90°)	1200	-	●	●	6	53	1,03	49,0	190'
3	<b>Štandardný program pre bavlnu pri 40°C (2):</b> Znacne špinavé biele a farebné prádlo z chúlolistivých tkanín.	40°	1200	-	●	●	6	53	0,86	69	180'
4	<b>Syntetika:</b> Veľmi špinavé farebné prádlo z odolných tkanín.	60°	800	-	●	●	3,5	44	0,93	47	115'
4	<b>Syntetika (3):</b> Čiastočne špinavé farebné prádlo z odolných tkanín.	40°	800	-	●	●	3,5	44	0,57	46	100'
5	<b>Farebná bavlna:</b> Málo špinavé biele chúlolistivé prádlo.	40°	1200	-	●	●	6	53	0,60	50	85'
<b>20° Zone</b>											
6	<b>Štandardný program pre bavlnu pri 20°C:</b> Znacne špinavé biele a farebné prádlo z chúlolistivých tkanín.	20°	1200	-	●	●	6	-	-	-	170'
7	<b>Mix Light</b>	20°	800	-	●	●	6	-	-	-	120'
8	<b>20' Refresh</b>	20°	800	-	●	●	1,5	-	-	-	20'
<b>Špeciálne programy (Special)</b>											
9	<b>HODVÁB/ZÁCLONY:</b> Pre prádlo z hodvábu, viskózy, spodné prádlo.	30°	0	-	●	●	1	-	-	-	55'
10	<b>Vlna:</b> Pre vlnu, kašmír, atd.	40°	800	-	●	●	1,5	-	-	-	70'
11	<b>Jeans</b>	40°	800	-	●	●	3,5	-	-	-	75'
<b>Sport</b>											
12	<b>Sport Intensive</b>	30°	600	-	●	●	2,5	-	-	-	85'
13	<b>Sport Light</b>	30°	600	-	●	●	2,5	-	-	-	60'
14	<b>Sport Shoes</b>	30°	600	-	●	●	Max. 2 pairs	-	-	-	60'
<b>Dielcie programy</b>											
	Plákanie	-	1200	-	-	●	6	-	-	-	36'
	Odstred'ovanie + Odčerpanie vody	-	1200	-	-	-	6	-	-	-	16'

Doba trvania cyklu, uvedená na displeji alebo v návode, je stanovená na základe štandardných podmienok. Skutočná doba sa môže meniť v závislosti na mnohých faktoroch, ako sú napr. teplota a tlak vody na vstupe, teplota prostredia, množstvo pracieho prostriedku, množstvo a druh náplne, vyváženie náplne a zvolené funkcie.

**1) Kontrolný program podľa normy 1061/2010: nastavte program 2 s teplotou 60°C.**

Tento cyklus je vhodný pre pranie bežne znečisteného bavlneného prádla a jedná sa o najúčinnjší cyklus z hľadiska kombinovanej spotreby energie a vody, určený pre prádlo, ktoré je možné prať pri teplote do 60°C. Skutočná teplota prania sa môže líšiť od uvedenej.

**2) Kontrolný program podľa normy 1061/2010: nastavte program 3 s teplotou 40°C.**

Tento cyklus je vhodný pre pranie bežne znečisteného bavlneného prádla a jedná sa o najúčinnjší cyklus z hľadiska kombinovanej spotreby energie a vody, určený pre prádlo, ktoré je možné prať pri teplote do 40°C. Skutočná teplota prania sa môže líšiť od uvedenej.

**Pre všetky Test Institutes:**

**2) Dlhý program na pranie bavlny: nastavte program 3 s teplotou 40°C.**

**3) Syntetický program spolu: nastavte program 4 s teplotou 40°C.**

**Sport Intensive** (program 12) bol navrhnutý pre pranie veľmi znečistených látok športového oblečenia (teplákové súpravy, šortky apod.); pre dosiahnutie optimálnych výsledkov sa odporúča neprekračovať maximálnu náplň uvedenú v "Tabuľka pracích programov".

**Sport Light** (program 13) bol navrhnutý pre pranie málo znečistených látok športového oblečenia (teplákové súpravy, šortky apod.); pre dosiahnutie optimálnych výsledkov sa odporúča neprekračovať maximálnu náplň uvedenú v "Tabuľka pracích programov". Odporúča sa použiť tekuté prací prostriedky a použiť dávku vhodnú pre polovičnú náplň.

**Sport Shoes** (program 14) bol navrhnutý pre pranie športovej obuvi; pre dosiahnutie optimálnych výsledkov neperte viac ako 2 páry naraz.

**Programy 20°** (20° Zone) ponúkajú účinné pranie pri nízkych teplotách, čím umožňujú šetrenie elektrickej energie, úsporu peňazí a chránia životné prostredie.

Programy 20° vyhovujú všetkým požiadavkám:

**Štandardný program pre bavlnu pri 20°C** (program 6) ideálny pre náplne zo znečistenej bavlny. Účinné pranie i za studena, porovnateľné s práním pri 40°C, dosiahnuté mechanickým pôsobením, ktoré je založené na zmene rýchlosti v krátkych alebo dlhých intervaloch.

**Mix Light** (program 7) ideálny pre zmiešané náplne (bavlna a syntetika) stredne znečisteného prádla. Účinné pranie i za studena je dosiahnuté mechanickým pôsobením, ktoré je založené na zmene rýchlosti v stredných alebo určených intervaloch.

**20' Osvieženie** (program 8) ideálny cyklus pre osvieženie a pranie mierne znečisteného prádla v priebehu pár minút. Trvá len 20 minút a šetrí tak čas i energiu. Umožňuje spolu prať tkaniny rôzneho druhu (s výnimkou vlny a hodvábu) pri náplni nepresahujúcej 1,5 kg.



## Nastavenie teploty

Otáčaním otočného ovládača TEPLoty sa nastavuje teplota prania (viď *Tabuľka programov*).

Teplota môže byť postupne znižovaná až po pranie v studenej vode (☼).

Zariadenie automaticky zabráni nastaveniu vyššej teploty ako je maximálna teplota pre každý prací program.

! Výnimka: pri voľbe programu 2 bude možné zvýšiť teplotu až na 90°C.

## Nastavenie odstreďovania

Otáčaním otočného ovládača Odstreďovania sa nastavuje rýchlosť odstreďovania zvoleného pracieho programu.

Maximálne rýchlosti pre jednotlivé pracie programy sú:

Pracie programy	Maximálna rýchlosť
Bavlna	1200 otáčok za minútu
Syntetické tkaniny	800 otáčok za minútu
Vlna	800 otáčok za minútu
Hodváb	len odčerpanie vody

Rýchlosť odstreďovania môže byť znížená, alebo odstreďovanie môže byť vylúčené voľbou symbolu (☼).

Zariadenie automaticky zabráni nastaveniu vyššej rýchlosti odstreďovania ako je maximálna rýchlosť pre každý prací program.

## Funkcie

Jednotlivé funkcie, ktorými práčka disponuje, umožňujú dosiahnuť požadovaný stupeň čistoty a belosti praného prádla.

Spôsob aktivácie jednotlivých funkcií:

1. stlačte príslušné tlačidlo požadovanej funkcie;
2. rozsvietenie príslušnej kontrolky signalizuje, že došlo k aktivácii zvolenej funkcie.

**Poznámka:** Rýchle blikanie kontrolky signalizuje, že príslušná funkcia je nepoužiteľná počas nastaveného pracieho programu.

### Ec@Time

Voľbou tejto funkcie budú mechanický pohon, teplota a voda nastavené pre zníženú náplň málo znečistenej bavlny a syntetických materiálov (viď „Tabuľka programov“). Pri použití programu „Ec@Time“ môžete pracovať s kratšími dobami a ušetriť vodu a energiu. Odporúča sa používať dávku tekutého pracieho prostriedku, vhodnú pre naplnené množstvo.

! Táto funkcia nie je použiteľná pri programoch 1, 6, 7, 8, 9, 10, 11, 12, 13, 14, ☼, ☼.

### Energy Savér

Funkcia Energy Savér prispieva k energetickej úspore, tým že neohrieva vodu použitú na pranie prádla – šetrí sa tým nie len životné prostredie, ale aj náklady za elektrickú energiu. Posilnený účinok a optimalizovaná spotreba vody skutočne zabezpečia optimálny výsledok za rovnakú priemernú dobu odpovedajúcu štandardnému cyklu.

Na dosiahnutie lepších výsledkov prania sa odporúča použiť tekutý prací prostriedok.

! Táto funkcia nie je použiteľná pri programoch 1, 6, 7, 8, 9, 10, 12, 13, 14, ☼, ☼.

### ☼ Extra plákanie

Voľbou tejto funkcie sa zvýši účinnosť plákania a zaistí sa maximálny stupeň odstránenia pracieho prostriedku. Je užitočná hlavne pre mimoriadne citlivé pokožky.

! Nie je možné ju aktivovať pri programoch 8, ☼.

### ☼ Oneskorený štart

Slúži na odloženie zahájenia pracieho cyklu až o 12 hodín.

Opakovane stláčajte tlačidlo, až kým sa nerozsvieti kontrolka označujúca požadovanú dobu oneskorenia. Po piatom stlačení tlačidla dôjde k zrušeniu uvedenej funkcie.

**POZN.:** Po stlačení tlačidla START/PAUSE je možné zmeniť čas oneskorenia len jeho znížením a to až do zahájenia nastaveného programu.

! Je aktívny pri všetkých pracích programoch.

# Pracie prostriedky a prádlo

SK

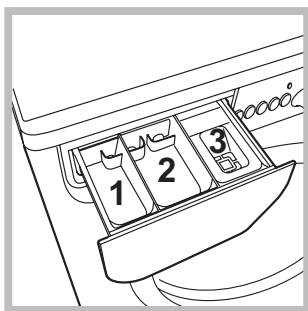
## Dávkovač pracích prostriedkov

Dobry výsledok prania závisí aj od správneho dávkovania pracieho prostriedku: použitie nadmerného množstva znižuje efektivitu prania a napomáha tvorbe vodného kameňa na vnútorných častiach práčky a zvyšuje znečistenie životného prostredia.

**!** Nepoužívajte pracie prostriedky určené na pranie v rukách, pretože spôsobujú tvorbu nadmerného množstva peny.

**!** Používajte práškové pracie prostriedky pre biele bavnené prádlo a pre predpieranie a pre pranie pri teplote vyššej ako 60 °C.

**!** Dodržujte pokyny uvedené na obale pracieho prostriedku.



Pri vyťahovaní dávkovača pracích prostriedkov a pri jeho plnení pracími alebo prídavnými prostriedkami postupujte nasledovne.

**priehradka 1: Prací prostriedok na predpieranie (práškový)**

**priehradka 2: Prací prostriedok na pranie (práškový alebo tekutý)**

Tekutý prací prostriedok sa nalieva len tesne pred zahájením pracieho cyklu.

**priehradka 3: Prídavné prostriedky (aviváž, atď.)**

Aviváž nesmie vytekať z mriežky.

## Príprava prádla

- Roztriedte prádlo podľa:
  - druhu tkaniny / symbolu na visačke.
  - farby: oddel'te farebné prádlo od bieleho.
- Vyprázdnite vrecká a skontrolujte gombíky.
- Neprekračujte hodnoty povolenej náplne uvedenej v "Tabuľka pracích programov", vzťahujúce sa na hmotnosť suchého prádla:


### Koľko váži prádlo?

- 1 plachta 400-500 g
- 1 obliečka 150-200 g
- 1 obrus 400-500 g
- 1 župan 900-1.200 g
- 1 uterák 150-250 g

## Prádlo vyžadujúce osobitnú starostlivosť

**Hodváb:** použite príslušný program **9** na pranie všetkého prádla z hodvábu. Odporúča sa použitie pracieho prostriedku pre chýlostivé prádlo.

**Záclony:** odporúča sa ich poskladať a vložiť do sáčku dodaného v rámci príslušenstva. Použite program **9**.

**Vlna:** S programom **10** je možné prať v práčke všetky druhy vlneného prádla, aj tie, ktoré sú označené visačkou „prať len v rukách“ . Pre dosiahnutie optimálnych výsledkov používajte špecifický prací prostriedok a neprekračujte náplň 1,5 kg.

**Jeans:** Prevráťte prádlo naruby a použite tekutý prací prostriedok. Použite program **11**.

## System automatického vyváženia náplne

Pred každým odstredovaním bubon vykoná otáčanie rýchlosťou o málo prevyšujúcou rýchlosť prania, aby sa tak odstránili vibrácie a aby sa náplň rovnomerne rozložila. V prípade, že po niekoľko násobných pokusoch o vyváženie prádlo ešte nebude správne vyvážené, zariadenie vykoná odstredovanie nižšou rýchlosťou, ako je prednastavená rýchlosť. Ak je práčka nadmerne nevyvážená, vykoná namiesto odstredovania vyváženie. Za účelom dosiahnutia rovnomernejšieho rozloženia náplne a jej správneho vyváženia, odporúča sa pomiešať veľké a malé kusy prádla.

Môže sa stať, že práčka nebude fungovať. Skôr, ako zatelefonujete na Servisnú službu *vid' „Servisná služba“*) skontrolujte, či sa nejedná o problém ľahko odstrániteľný pomocou nasledujúceho zoznamu.

## Poruchy:

## Možné príčiny / Spôsob ich odstránenia:

**Práčku nie je možné zapnúť.**

- Zástrčka nie je zasunutá v elektrickej zásuvke, alebo nie je zasunutá dostatočne, aby došlo k spojeniu kontaktov.
- V celom dome je vypnutý prúd.

**Nedochádza k zahájeniu pracovného cyklu.**

- Nie sú riadne zatvorené dvierka.
- Nebolo stlačené tlačidlo ON/OFF.
- Nebolo stlačené tlačidlo START/PAUSE.
- Nebol otvorený kohútik prívodu vody.
- Bol nastavený oneskorený štart (*vid' „Užívateľské nastavenia“*).

**Práčka nenapúšťa vodu (rýchle bliká kontrolka prvej fázy prania).**

- Prítoková hadica nie je pripojená k vodovodnému kohútiku.
- Hadica je príliš ohnutá.
- Nebol otvorený kohútik prívodu vody.
- V celom dome je uzatvorený prívod vody.
- V rozvode vody nie je dostatočný tlak.
- Nebolo stlačené tlačidlo START/PAUSE.

**Práčka nepretržite napúšťa a odčerpáva vodu.**

- Vypúšťacia hadica sa nachádza mimo určeného rozmedzia od 65 do 100 cm nad zemou (*vid' „Inštalácia“*).
  - Koncová časť vypúšťacej hadice je ponorená vo vode (*vid' „Inštalácia“*).
  - Odpadové potrubie v stene nie je vybavené odvzdušňovacím otvorom.
- Ak po týchto kontrolách nedôjde k odstráneniu problému, zatvorte vodovodný kohútik, vypnite práčku a zavolajte Servisnú službu. V prípade, že sa byt nachádza na jednom z najvyšších poschodí je možné, že dochádza k sifónovému efektu, následkom ktorého práčka nepretržite napúšťa a odčerpáva vodu. Na odstránenie uvedeného efektu sú v predaji bežne dostupné špeciálne „protisifónové“ ventily.

**Práčka neodčerpáva vodu alebo neodstreduje.**

- Odčerpanie vody netvorí súčasť nastaveného programu: pri niektorých programoch je potrebné aktivovať ho manuálne.
- Vypúšťacia hadica je ohnutá (*vid' „Inštalácia“*).
- Odpadové potrubie je upchaté.

**Práčka vo fáze odstreďovania veľmi vibruje.**

- Počas inštalácie nebol bubon odistený predpísaným spôsobom (*vid' „Inštalácia“*).
- Práčka nie je dokonale vyrovnaná do vodorovnej polohy (*vid' „Inštalácia“*).
- Zariadenie je stlačené medzi nábytkom a stenou (*vid' „Inštalácia“*).

**Z práčky uniká voda.**

- Prítoková hadica nie je správne zaskrutkovaná (*vid' „Inštalácia“*).
- Dávkovač pracích prostriedkov je upchatý (spôsob jeho vyčistenia je uvedený v časti *„Údržba a starostlivosť“*).
- Vypúšťacia hadica nie je dobre pripevnená (*vid' „Inštalácia“*).

**Kontrolky „voliteľné funkcie“ a kontrolka „start/pause“ blikajú a jedna z kontroliek „prebiehajúca fáza“ a „ZABLOKOVANIA DVIEROK“ sa rozsvieti stálym svetlom.**

- Vypnite zariadenie a vytiahnite zástrčku zo zásuvky, vyčkajte 1 minútu a opätovne ho zapnite.  
Ak porucha pretrváva, obráťte sa na Servisnú službu.

**Dochádza k tvorbe nadmerného množstva peny.**

- Použitý prací prostriedok nie je vhodný na použitie v automatickej práčke (musí obsahovať označenie „pre pranie v práčke“, „pre pranie v rukách alebo v práčke“ alebo podobné označenie).
- Bolo použité jeho nadmerné množstvo.

# Servisná služba

SK

## Pred obrátením sa na Servisnú službu:

- Skontrolujte, či nie ste schopní poruchu odstrániť sami (vid' „Poruchy a spôsob ich odstránenia“);
- Opätovne uveďte do chodu prací program, s cieľom overiť, či bola porucha odstránená;
- V opačnom prípade sa obráťte na Centrum servisnej služby, na telefónnom čísle uvedenom na záručnom liste.

! Nikdy sa neobracajte so žiadosťou o pomoc na technikov, ktorí nie sú na vykonávanie tejto činnosti oprávnení.

## Pri hlásení poruchy uveďte:

- druh poruchy;
- model zariadenia (Mod.);
- výrobné číslo (S/N).

Tieto informácie sú uvedené na štítku aplikovanom na zadnej časti práčky a v jej prednej časti, dostupnej po otvorení dvierok.

## DELEGOVANÉ NARIADENIE KOMISIE (EÚ) č. 1061/2010

Značka	INDESIT
Model	IWC 61251 C ECO EU
Menovitá kapacita bavlnenej látky v kg	6.0
Trieda energetickej účinnosti na stupnici A+++ (najnižšia spotreba) až G (vysoká spotreba)	A+
Ročná spotreba energie v kWh <sup>1)</sup>	193.0
Spotreba energie štandardného programu na bavlnu pre pranie pri 60 °C s celou náplňou v kWh <sup>2)</sup>	1.03
Spotreba energie štandardného programu na bavlnu pre pranie pri 60 °C s polovičnou náplňou v kWh <sup>2)</sup>	0.775
Spotreba energie štandardného programu na bavlnu pre pranie pri 40 °C s polovičnou náplňou v kWh <sup>2)</sup>	0.611
Vážená spotreba energie vo vypnutom stave vo W	0.5
Vážená spotreba energie v režime ponechania v zapnutom stave vo W	8.0
Ročná spotreba vody v litroch <sup>3)</sup>	8643
Trieda účinnosti sušenia odstreďovaním na stupnici od G (najmenšia účinnosť) do A (najvyššia účinnosť)	B
Maximálne otáčky pri odstreďovaní <sup>4)</sup>	1200
Zostatkový obsah vlhkosti v % <sup>5)</sup>	53%
Trvanie „štandardného programu na bavlnu pre pranie pri 60 °C“ s celou náplňou v minútach.	190
Trvanie „štandardného programu na bavlnu pre pranie pri 60 °C“ s polovičnou náplňou v minútach.	160
Trvanie „štandardného programu na bavlnu pre pranie pri 40 °C“ s polovičnou náplňou v minútach.	155
Trvanie režimu ponechania v zapnutom stave v minútach	30
Emisia hluku v dB(A) re 1 pW počas prania <sup>6)</sup>	60
Emisia hluku v dB(A) re 1 pW počas odstreďovania <sup>6)</sup>	75

<sup>1)</sup> „Štandardný program na bavlnu pre pranie pri 60 °C“ s celou náplňou a polovičnou náplňou a štandardný program na bavlnu pre pranie pri 40 °C s polovičnou náplňou sú štandardné prací programy, na ktoré sa vzťahujú informácie uvedené na energetickom štítku a v informačnom liste. Tieto programy sú vhodné na pranie bežne znečistenej bavlnenej bielizne a jedná sa o najúčinnnejšie programy z hľadiska kombinovanej spotreby energie a vody.

<sup>2)</sup> Na základe 220 štandardných prací cyklov s programami na bavlnu pre pranie pri 60 °C a 40 °C s celou a polovičnou náplňou a spotreba v režimoch s nízkou spotrebou energie. Skutočná spotreba energie bude závisieť na tom, ako je spotrebič používaný.

<sup>3)</sup> Na základe 220 štandardných prací cyklov s programami na bavlnu pre pranie pri 60 °C a 40 °C s celou a polovičnou náplňou. Skutočná spotreba vody bude závisieť na tom, ako je spotrebič používaný.

<sup>4)</sup> U štandardného programu na bavlnu pre pranie pri 60 °C s celou náplňou alebo u štandardného programu na bavlnu pre pranie pri 40 °C s polovičnou náplňou podľa toho, ktorá hodnota je menšia.

<sup>5)</sup> U štandardného programu na bavlnu pre pranie pri 60 °C s celou náplňou alebo u štandardného programu na bavlnu pre pranie pri 40 °C s polovičnou náplňou podľa toho, ktorá hodnota je väčšia.

<sup>6)</sup> Počas fázy prania a odstreďovania u štandardného programu na bavlnu pre pranie pri 60 °C s celou náplňou.

TR

Türkçe

IWC 61251

### İçindekiler

#### Montaj, 38-39

Ambalajın çıkartılması ve seviye ayarı getirilmesi  
Su ve elektrik bağlantıları  
İlk yıkama  
Teknik veriler

#### Bakım ve özen, 40

Su ve elektrik kesilmesi  
Çamaşır makinesinin temizlenmesi  
Deterjan haznesinin temizlenmesi  
Kapak ve hazne bakımı  
Pompanın temizlenmesi  
Su besleme hortumunun kontrol edilmesi

#### Önlemler ve öneriler, 41

Genel güvenlik uyarıları  
Atıkların tasfiye edilmesi

#### Çamaşır makinesinin tanımı ve programların çalıştırılması, 42-43

Kontrol paneli  
Işıklı göstergeler  
Bir programın başlatılması

#### Programlar, 44

Program tablosu

#### Kişisel ayarlar, 45

Sıcaklık ayarı  
Sıkma hızı ayarı  
Fonksiyonlar

#### Deterjan ve çamaşır, 46

Deterjan haznesi  
Çamaşırın hazırlanması  
Özel çamaşırlar  
Yük dengeleme sistemi

#### Arızalar ve onarımlar, 47

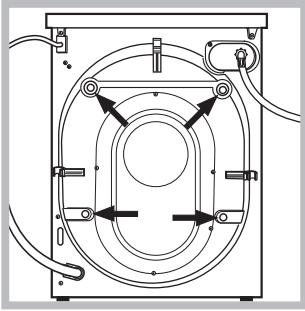
#### Teknik Servis, 48

! Bu kitapçığı gerektiği her an danışabilmeniz için özenle saklayınız. Çamaşır makinesinin satılması, devri veya nakli durumlarında da, yeni sahibinin faydalanabilmesi için bu kılavuz makineyle beraber saklanmalıdır.  
! Talimatları dikkatlice okuyunuz; montaj, kullanım ve güvenliğe ilişkin önemli bilgiler içermektedir.

## Ambalajın çıkartılması ve aynı seviyeye getirilmesi

### Ambalajdan çıkartılması

1. Çamaşır makinesinin ambalajdan çıkartılması.
2. Çamaşır makinesinin taşıma esnasında hasar görmemiş olduğunu kontrol ediniz. Hasar görmüş ise monte etmeyiniz. Satıcıya başvurunuz.



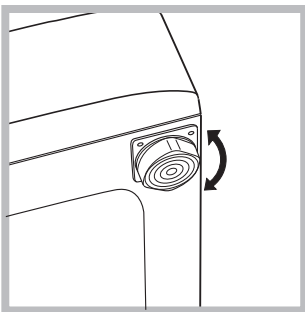
3. Taşıma sırasında arka tarafta bulunan 4 adet koruyucu vidayı ve ara parçasıyla birlikte buradaki lastiği de çıkartınız (bakınız şekil).

4. Delikleri ambalajda bulacağınız plastik kapaklarla kapayınız.
5. Tüm parçaları muhafaza ediniz: çamaşır makinesinin nakli gerektiği takdirde takılmaları gerekmektedir.

! Ambalajlar çocuk oyuncacı değildir.

### Cihazın aynı seviyeye getirilmesi

1. çamaşır makinesini düz ve sert bir zemine yerleştiriniz, duvar veya mobilyalara dayamayınız.

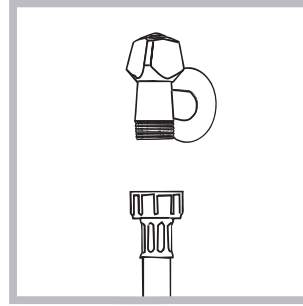


2. Yerleştirilecek zemin tam düz değilse çamaşır makinesinin vidalı ön ayaklarını sıkarak veya gevşeterek dengeyi sağlayınız (bkz. şekil); eğim açısı, makinenin üst tezgahına göre 2° den fazla olmamalıdır.

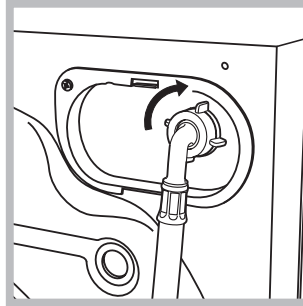
Sağlıklı bir dengeleme, çamaşır makinesine sağlam bir duruş kazandıracak gibi, çalışması esnasındaki sarsıntı, gürültü ve hareketlilikleri de önleyecektir. Zeminde moket veya halı olması halinde, ayar makinesinin altında havalandırma olabilecek şekilde yapınız .

## Su ve elektrik bağlantıları

### Su besleme hortumunun takılması



1. Tedarik borusunu 3/4 gaz vidalı bağlantı kullanarak bir soğuk su musluğuna bağlayın (bkz. şekil). Bağlantı öncesinde berrak su gelene kadar suyu akıtınız.



2. Besleme hortumunu arka kısımda üst sağ köşedeki su girişine vidalayarak çamaşır makinesine takınız (bkz. şekil).

3. Hortumda katlanma ve ezilme olmamasına dikkat ediniz.

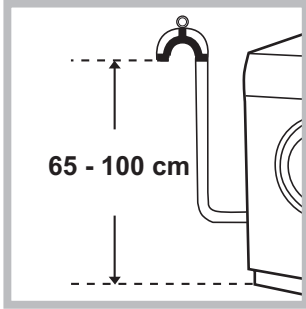
! Musluğun su basıncının Teknik Veriler tabelasında belirtildiği gibi olması gerekir (bkz. yan sayfa).

! Besleme hortumunun boyu yetersizse yetkili bir satıcı mağaza veya teknisyene başvurunuz.

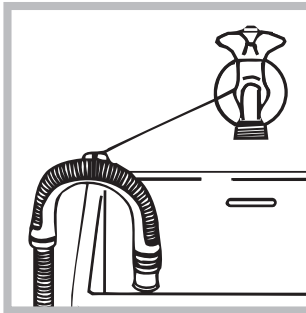
! Kesinlikle daha önceden kullanılmış hortum kullanmayınız.

! Makine ile birlikte verilen hortumları kullanınız.

## Tahliye hortumunun takılması



Tahliye hortumunu, katlanmasını önleyerek, zemindeki veya yerden 65 ile 100 cm yükseklik arasındaki bir duvar tahliyesine takınız



veya mevcut olan kılavuzu çeşmeye bağlayarak lavabo ya da küvet kenarına yaslayınız (bkz. şekil). Tahliye hortumunun serbest ucunun suya girmemesi gerekir.

! Tahliye hortumu için ilave uzatma kullanılmaması tavsiye olunur; aksi mümkün değilse, uzatma hortumunun çapının da aynı olması ve 150 cm. den uzun olmaması gerekir.

## Elektrik bağlantısı

Fişi prize takmadan evvel aşağıdaki hususlara dikkat ediniz:

- prizin topraklamasının yürürlükteki normlara uygun olmasına;
- prizin, makinenin Teknik Veriler tabelasında belirtilen, azami gücünü taşıyabilecek olmasına (bkz. yan taraf);
- şebeke geriliminin, Teknik Veriler tabelasında belirtilen değerlere uygun olmasına (bkz. yan taraf);
- prizin çamaşır makinesinin fişiyle uyumlu olmasına. Aksi takdirde fişi veya prizi değiştiriniz.

! Çamaşır makinesi, muhafazalı olsa bile açık alanda monte edilemez, çünkü rüzgara ve yağmura maruz kalması çok tehlikelidir.

! Monte edilen çamaşır makinesinin fişinin kolaylıkla erişilebilir olması gerekir.

! Uzatma kablosu ile çoklu prizler kullanmayınız.

! Kablonun ezilmemesi ve katlanmaması gerekir.

! Beslenme kablosunun yalnızca yetkili teknisyenler tarafından değiştirilmelidir.

Dikkat! Bu kurallara uyulmaması halinde firma hiç bir sorumluluk kabul etmemektedir.

## İlk yıkama

Montajdan sonra, çamaşır koymaksızın deterjanla 2. programı ayarlayarak yıkama yapınız.

Teknik bilgiler	
Model	IWC 61251
Ölçüler	genişlik 59,5 cm yükseklik 85 cm derinlik 53,5 cm
Kapasite	1 - 6 kg
Elektrik bağlantıları	makine üstünde takılı olan teknik veriler plakasına bakınız.
Su bağlantıları	max. su basıncı 1 MPa (10 bar) min. su basıncı 0,05 MPa (0,5 bar) tambur kapasitesi 52 litre
Sıkma hızı	maksimum dakikada 1200 devire kadar
1061/2010 ve 1015/2010 sayılı direktiflere göre kontrol programları	Program 2: Pamuklu Standart 60°C. Program 3: Pamuklu Standart 40°C.
	Bu makina aşağıda belirtilen AB normlarına uygundur: - 2004/108/CE (Elektromanyetik Uyum) - 2012/19/EU - 2006/95/CE (Alçak gerilim)

# Bakım ve özen

TR

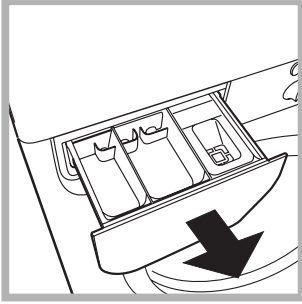
## Su ve elektrik kesilmesi

- Su musluğunu her yıkamadan sonra kapatınız. Böylece çamaşır makinesinin su tesisatının eskimesi engellenir, su kaçağı tehlikesi ortadan kalkar.
- Bakım ve temizlik işlemleri esnasında çamaşır makinesinin fişini çekiniz.

## Çamaşır makinesinin temizlenmesi

Dış gövde ve plastik aksam ılık su ve sabunla ıslatılmış bir bez vasıtasıyla temizlenebilir. Çözücü ve aşındırıcı maddeler kullanmayınız.

## Deterjan haznesinin temizlenmesi



Hazneyi kaldırarak, dışarıya doğru çekmek suretiyle çıkartınız (bkz. şekil). Akar su altında yıkayınız, bu çekmenin temizliği sık sık yapılmalıdır.

## Kapak ve hazne bakımı

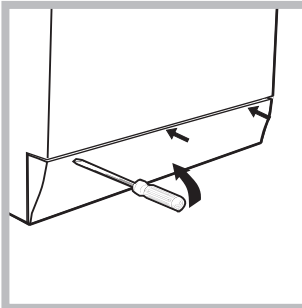
- Kötü kokuların oluşmasını engellemek için kapağı daima aralık bırakınız.

## Pompanın temizlenmesi

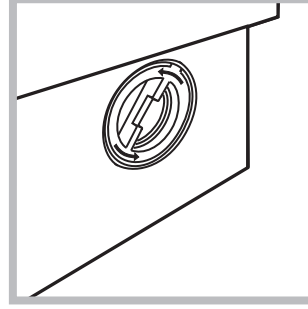
Çamaşır makinesinin pompası kendini temizleyen bir özelliğe sahip olup, ayrıca temizlik gerektirmez. Ancak, bazı küçük cisimler (madeni para, düğme) pompanın alt kısmındaki koruyucu bölmeye düşebilirler.

! Yıkama devresinin bitmiş olup olmadığını kontrol ediniz ve fişini çekiniz.

Pompa koruyucu bölgesine erişebilmek için:



1. çamaşır makinesinin ön kapama panelini, bir tornavida vasıtasıyla çıkartınız (bkz. şekil);



2. makine kapağını saatin ters yönünde çevirerek sökünüz (bkz. şekil). bir miktar su gelmesi normaldir;

3. içini dikkatlice temizleyiniz;
4. kapağı vidalayınız;
5. paneli takarken, tam yerleştirmeden evvel, kancaların yuvalara gelip gelmediğini kontrol ediniz.

## Su besleme hortumunun kontrol edilmesi

Su besleme hortumunu, en azından senede bir defa kontrol ediniz. Yarık veya çatlaklar varsa değiştiriniz: yıkama esnasındaki yüksek basınçlar ani patlamalara yol açabilirler.

! Kesinlikle daha önceden kullanılmış hortum kullanmayınız.



! Çamaşır makinesi uluslararası güvenlik standartlarına uygun olarak projelendirilmiş ve üretilmiştir. Bu uyarılar güvenlik amaçlı olup dikkatlice okunmalıdır.

- Atık Elektrikli ve Elektronik Eşyaların (AEEE) Kontrolü Yönetmeliği.
- AEEE Yönetmeliğine uygundur.

## Genel güvenlik uyarıları

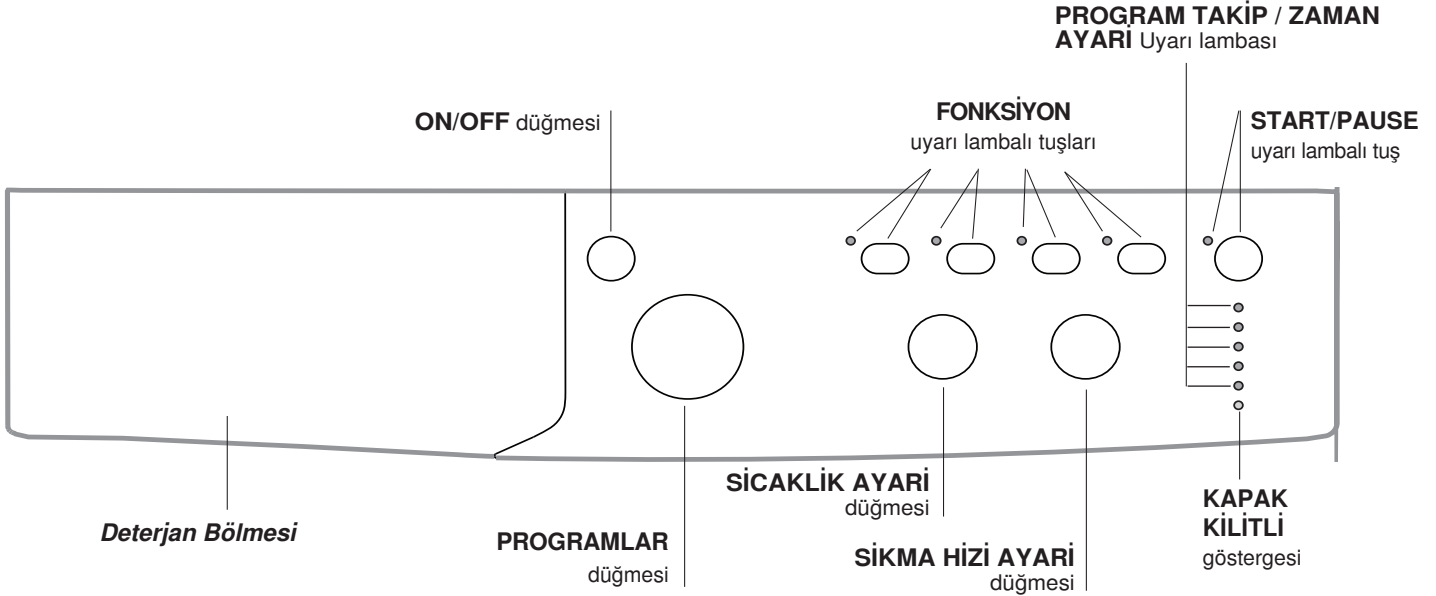
- Makine meskenlerde kullanılmak üzere tasarlanmış olup profesyonel kullanım amaçlı değildir.
- Bu cihaz, eğer gözetim altında bulunuyorlar ise veya güvenli şekilde ve ilişkin tehlikeler göz önünde bulundurularak, cihazın kullanımı hakkında uygun eğitim almışlar ise, 8 yaşından büyük çocuklar ve fiziksel, duyuşal veya mental kapasitelerden yoksun veya yetersiz tecrübe ve bilgiye sahip kişiler tarafından kullanılabilir. Çocuklar, cihaz ile oynamamalıdır. Bakım ve temizlik işlemleri, denetimsiz çocuklar tarafından gerçekleştirilmemelidir.
- Cihaza ayaklarınız çıplakken yada elleriniz veya ayaklarınız ıslak yada nemliyken dokunmayınız.
- Fişi prizden çekerken kablosundan değil fişin kendisinden tutarak çekiniz.
- Makine çalışırken deterjan haznesini açmayınız.
- Tahliye suyuna el sürmeyiniz, yüksek ısıda olabilir.
- Kapağı, hiçbir şekilde zorlamayınız: istenmedik açılmalara karşı olan güvenlik mekanizması arıza yapabilir.
- Arıza halinde onarmak amacıyla iç mekanizmaları kurcalamayınız.
- Çocukların çalışır vaziyetteki makineye yaklaşmalarına mani olunuz.
- Çalışma esnasında kapak ısınabilir.
- Taşınması gerektiğinde, bu işlemin, iki veya üç kişi tarafından, azami dikkatle yapılması gerekir. Kesinlikle tek başınıza yapmayınız, çünkü makine çok ağırdır.
- Çamaşıruları yerleştirmeden evvel, sepetin boş olduğundan emin olunuz.

## Atıkların tasfiye edilmesi

- Ambalaj malzemelerinin tasfiye edilmesi: yerel yasalara uyunuz, bu şekilde ambalajların geri dönüşümü mümkün olur.
- Elektrik ve elektronik cihazların atıklarını değerlendirme 2012/19/EU sayılı Avrupa Konseyi direktifinde; beyaz eşyaların kentsel katı atık genel yöntemi ile tasfiye edilmesinin öngörülmüştür. Kullanılmayan cihazların, madde geri kazanım ve geri dönüşüm oranını en yüksek seviyeye yükseltmek, çevre ve insan sağlığına olası zararları engellemek için ayrı ayrı toplanması gerekir. Tüm ürünlerin üzerinde; ayrı toplama hükümlerini hatırlatmak amacıyla üstünde çarpı işareti olan sepet sembolü verilmiştir. Cihazların tasfiye edilmesi konusunda daha geniş bilgi almak için cihaz sahiplerinin mevcut müşteri hizmetine veya satış noktalarına başvurulması gerekir.

# Çamaşır makinesinin tanımı ve programların çalıştırılması

## Kontrol paneli



**Deterjan Bölmesi:** ve diğer katkıları koyunuz (“Deterjanlar bölümüne” bakınız).

**ON/OFF düğmesi:** çamaşır makinesini çalıştırmak ve kapatmak için.

**PROGRAMLAR uyarı lambalı tuşları:** programları ayarlamak. Program esnasında düğme sabit kalır.

**FONKSİYON düğmeleri:** işlev seçimi için. Seçilen işlev düğmesinde ışıklı gösterge yanık kalır.

**SIKMA HİZİ AYARI düğmesi:** sıkma çalıştırmak veya durdurmak için (bkz. *Kişisel ayarlar bölümü*).

**SICAKLIK AYARI düğmesi:** istenen sıcaklığı veya soğuk suyla yıkamayı ayarlamak için (bkz. *Kişisel ayarlar bölümü*).

**PROGRAM TAKİP/ZAMAN AYARI uyarı lambası:** yıkama programının aşamalarını görmek için. Uyarı lambası makinenin açık olduğunu gösterir. “Zaman Ayarı” işlevini programlayarak sonradan çalıştırma ayarı yapıldıysa, çalışmaya başlaması için kalan süreyi gösterir (bkz. *yan sayfa*).

**KAPAK KİLİTLİ göstergesi:** çamaşır makinesinin kapağının açılabilirliğini görmek için (bkz. *yan sayfa*).

**START/PAUSE uyarı lambalı tuş:** programları başlatmak yada geçici olarak durdurmak için.

**Not:** devrede olan bir programın beklemeye alınması için bu düğmeye basınız; turuncu renkli uyarı lambası yanıp sönecektir. MAKİNE KAPAĞI KİLİTLİ uyarı lambası kapalı ise, kapak açılabilir (yaklaşık 3 dakika bekleyiniz). Yıkama programının kaldığı yerden devam etmesi için bu düğmeye tekrar basınız.

### Bekleme modu

Yeni enerji tasarrufu düzenlemeleri ile uyumlu bu çamaşır makinesine herhangi bir faaliyet algılanmadığında 30 dakika içinde devreye sokulan otomatik bekleme sistemi yerleştirilmiştir ON/OFF düğmesine bir süre basın ve makinenin tekrar çalışmasını bekleyin.

## Işıklı göstergeler

Işıklı göstergeler önemli bilgiler verir. İşte verdikleri bilgiler:

### Zaman Ayarı

Gecikmeli başlatmayı programlayarak sonradan çalıştırma ayarı yapıldıysa (bkz. *kişisel ayarlar bölümü*), gösterge yanacak ve çalışma başlangıcı için kalan süreyi gösterecektir:

3h 

6h 

9h 

12h 

Süre geçtikçe, bu ışıklı gösterge kalan süreyi göstermeye devam edecektir.

3h 

6h 






9h 

12h 

Ayarlanan program seçili gecikme süresi sona erdiğinde başlayacaktır.

### Program Takip uyarı lambası

İstenilen yıkama devresini seçtikten sonra çalışma esnasında ışıklı göstergeler sürekli yanarak yürütül-mekte olan işlemi gösterecektir.

Yıkama	
Durulama	
Sıkma	
Su boşaltma	
Yıkama sonu	

### FONKSİYON tuşları ve ilgili uyarı lambaları


Herhangi bir işlem seçildiğinde ilgili gösterge yanacaktır. Seçilen işlem yürütülen programla uyumlu olmadığı takdirde, ilgili gösterge yanıp sönecek ve işlev başlatılmayacaktır.

Seçilen fonksiyon ayarlanmış olan programla uyumlu olmadığı takdirde, ilk işlevle ilgili uyarı lambası yanıp sönecek ve etkinleştirilmiş işlev yanıp sönmeye sona erecektir.

### KAPAK KİLİTLİ göstergesi

Gösterge ışığı açık olduğunda, yan kapak açılmaması için kilitletir; kapağı açmadan önce gösterge ışığının kapalı olduğundan emin olunuz (yaklaşık 3 dakika bekleyiniz). Devam eden yıkama devri sırasında kapağı açmak için, START/PAUSE düğmesine basınız; kapak KAPAK KİLİTLİ göstergesi ışığı söndüğünde açılabilir.

## Bir programın başlatılması

1. ON/OFF tuşuna basarak çamaşır makinasını çalıştırınız. Tüm göstergeler bir an için yanacak sonra söneceklerdir.
2. Çamaşır yerleştirip kapağı kapatınız.
3. PROGRAMLAR düğmesiyle istenen programı seçiniz.
4. Yıkama suyu sıcaklığını seçiniz (bkz. *"Kişisel ayarlar"*).
5. Sıkma hız ayarını seçiniz (bkz. *"Kişisel ayarlar"*).
6. Deterjan ve diğer katkıları koyunuz (Bkz. *Deterjanlar ve çamaşırlar bölümü*).
7. İstenilen işlevleri seçin.
8. START/PAUSE düğmesine basmak suretiyle programı çalıştırınız ve ilgili gösterge yeşil renkte yanık kalacaktır. Seçilen programı iptal etmek için makineyi beklemeye aldıktan sonra START/PAUSE tuşunu basılı tutarak yeni bir program seçiniz.
9. Program bitiminde **"END"** göstergesi yanmaya başlayacaktır. Kapak, KAPAK KİLİTLİ  göstergesi ışığı söndüğünde açılabilir (yaklaşık 3 dakika bekleyiniz). Çamaşır çıkarınız ve içerisinde kuruması için kapağı hafif aralık bırakınız. ON/OFF tuşuna basarak çamaşır makinasını kapatınız.

# Programlar

TR

## Program tablosu

Programlar	Program açıklaması	Maks. Isı derecesi (°C)	Maks Hız (Dakikada devir)	Deterjanlar			Maks yük (Kg)	Kalan nem %	Enerji tüketimi kWh	Toplam su lt	Devir süresi
				Önyıkama	Yıkama	Yumuşatıcı					
<b>Günlük programlar (Daily)</b>											
1	Ön yıkama pamuklular: aşırı kirli beyazlar.	90°	1200	●	●	●	6	53	2,18	75	150'
2	Pamuklu Standart 60°C (1): çok kirli dayanıklı beyaz ve renkliler.	60° (Max. 90°)	1200	-	●	●	6	53	1,03	49,0	190'
3	Pamuklu Standart 40°C (2): az kirli hassas renkli ve beyazlar.	40°	1200	-	●	●	6	53	0,86	69	180'
4	Sentetikler: çok kirli dayanıklı renkli çamaşırlar.	60°	800	-	●	●	3,5	44	0,93	47	115'
4	Sentetikler (3): az kirli dayanıklı renkli çamaşırlar.	40°	800	-	●	●	3,5	44	0,57	46	100'
5	Renkli pamuklular: az kirli beyazlar ve nazik renkliler.	40°	1200	-	●	●	6	53	0,60	50	85'
<b>20° Zone</b>											
6	Pamuklu Standart 20°C: az kirli hassas renkli ve beyazlar.	20°	1200	-	●	●	6	-	-	-	170'
7	Mix Light	20°	800	-	●	●	6	-	-	-	120'
8	20' Refresh	20°	800	-	●	●	1,5	-	-	-	20'
<b>Özel (Special)</b>											
9	İpekliler/Perdeler: ipekli, viskoz ve iç çamaşırlar için kullanılır.	30°	0	-	●	●	1	-	-	-	55'
10	Yünlüler: yün ve kaşmir için kullanılır.	40°	800	-	●	●	1,5	-	-	-	70'
11	Blucin	40°	800	-	●	●	3,5	-	-	-	75'
<b>Spor (Sport)</b>											
12	Sport Intensive	30°	600	-	●	●	2,5	-	-	-	85'
13	Sport Light	30°	600	-	●	●	2,5	-	-	-	60'
14	Sport Shoes	30°	600	-	●	●	En fazla 2 çift	-	-	-	60'
<b>Ek</b>											
93	Durulama	-	1200	-	-	●	6	-	-	-	36'
94	Sıkma + Su boşaltma	-	1200	-	-	-	6	-	-	-	16'

Ekran veya kitapçık üzerinde gösterilen devre süresi, standart şartlara göre hesaplanmış tahmini bir süredir. Geçerli olan süre, girişteki sıcaklık derecesi ve suyun basıncı, ortam sıcaklığı, deterjan miktarı, yük miktarı ve tipi, yükün dengesi, seçilen ilave seçenekler gibi sayısız faktörlere göre değişiklik gösterebilmektedir.

### 1) 1061/2010 standartları uyarınca kontrol programları 60°C ve 2. programa ayarlıyınız.

Bu devre, orta kirlilikteki pamuklu çamaşırları temizlemek için uygundur ve 60°C 'de yıkanabilir çamaşırlar üzerinde kullanılacak, kombine enerji ve su tüketimi açısından en etkili devredir. Geçerli olan yıkama sıcaklık derecesi, belirtilen sıcaklık derecesinden farklı olabilir.

### 2) 1061/2010 standartları uyarınca kontrol programları 40°C ve 3. programa ayarlıyınız.

Bu devre, orta kirlilikteki pamuklu çamaşırları temizlemek için uygundur ve 40°C 'de yıkanabilir çamaşırlar üzerinde kullanılacak, kombine enerji ve su tüketimi açısından en etkili devredir. Geçerli olan yıkama sıcaklık derecesi, belirtilen sıcaklık derecesinden farklı olabilir.

### Tüm Test Enstitüleri için:

2) Pamuklu uzun programı; 3 programda 40°C'ye ayarlıyınız.

3) Sentetik programı boyunca: 40°C lik bir sıcaklık ile 4 yıkama döngüsü ayarlamak.

**Sport Intensive** (program 12) ağır lekeli spor kıyafetlerinin kumaşları (eşofman, şort, vb.) için kullanılır; en iyi sonuçlar için, "Program tablosu" nda gösterilen maksimum yükü geçmemeniz tavsiye edilir.

**Sport Light** (program 13): hafif lekeli spor kıyafetlerinin kumaşları (eşofman, şort, vb.) için kullanılır; en iyi sonuçlar için, "Program tablosu" nda gösterilen maksimum yükü geçmemeniz tavsiye edilir. Sıvı deterjan ve yarım yük doz kullanmanız tavsiye edilir.

**Sport Shoes** (program 14) spor ayakkabılarını yıkamak için kullanılır; en iyi sonuçlar için, aynı anda 2 çiftten fazla yıkamayınız.

**20° programlar (20° Zone)**, çevre için bir avantaja ve ekonomik bir tasarrufa sahip daha az elektrik enerjisi kullanmayı sağlayarak, düşük sıcaklıklarda etkili yıkama performansları sunmaktadır.

20° programlar, tüm ihtiyaçlara cevap verir:

**Pamuklu Standart 20°C** (program 6) kirli pamuklu çamaşırlar için idealdir. 40°'de bir yıkama ile mukayese edilebilen, soğuk suda da etkili olan performanslar, yinelenen ve karşılaştırılan en yüksek hız varyasyonu ile çalışan mekanik bir hareket ile sağlanır.

**Mix Light** (program 7) orta kirlilikteki karışık çamaşırlar (pamuklu ve sentetikler) için idealdir. Soğuk suda da etkili yıkama performansları, orta ve belirli aralıklar üzerindeki hız varyasyonu ile çalışan mekanik bir hareket ile sağlanır.

**20' Refresh** (program 8) kısa sürede hafif kirli çamaşırları yenilemek ve yıkamak için ideal olan devre.

Sadece 20 dakika sürer ve böylece zaman ve enerji tasarrufu sağlar. Farklı kumaş türünde çamaşırları bir arada yıkamak mümkündür (yünlüler ve ipekliler hariç) ve maksimum 1,5 kg çamaşır yüklenebilir.

## Sıcaklık ayarı

Yıkama suyu ısısını SICAKLIK AYARI düğmesini çevirerek seçiniz (bkz. Program tablosu).

sıcaklık ayarı soğuk suyla yıkanacak seviyeye kadar düşürülebilir (❄️). Makine, seçilen program için öngörülenin üzerinde bir yıkama ısısını otomatik olarak uygulamayacaktır.

! İstisna: 2 programı seçildiğinde sıcaklık derecesi 90°C ye kadar yükseltilebili.

## Sıkma hızı ayarı

Seçilen programın SIKMA HIZI ayarı bu düğmenin çevrilmesiyle yapılır.

Programlar için öngörülen azami süratler şöyledir:

Programlar	Azami Sıkma hızı
Pamuklular	Dakikada 1200 devir
Sentetik kumaşlar	Dakikada 800 devir
Yünlüler	Dakikada 600 devir
İpekli	sadece boşaltma

Sıkma sürati azaltılabilir veya (⊗) işareti seçilerek devre dışı bırakılabilir.

Makine, her bir program için öngörülenin üzerinde bir sıkma hızını kabul etmez.

## Fonksiyonlar

Çamaşır makinesince öngörülen muhtelif işlemler arzu edilen temizlik ve beyazlıktaki yıkamalara olanak sağlar.

İşlevleri çalıştırmak için:

1. istediğiniz işlev düğmesine basınız;
2. ilgili göstergenin yanması işlevin başladığını belirtir.

Not: göstergenin hızlı bir şekilde yanıp sönmesi seçilen işlevin yürütülmekte olan programa uygun olmadığına işaretidir.

## EcoTime

Bu seçeneği seçerek hafif lekeli pamuklu ve sentetik kumaşların ("Program tablosu"na bakınız) yükünü azaltmak için tambur yönünü, sıcaklık ve suyu uygun bir şekilde ayarlayabilirsiniz. "EcoTime" daha kısa sürede yıkamanızı ve dolayısıyla su ve elektrikten tasarruf etmenizi sağlar. Yük miktarına göre ölçülmüş sıvı deterjan kullanmanız tavsiye edilir.

! Bu programlarda uygulanamaz: 1, 6, 7, 8, 9, 10, 11, 12, 13, 14, (❄️), (⊗).

## Energy Saver

Energy Saver fonksiyonu, hem çevre hem de elektrikli giriş için bir avantaj olan - çamaşırıkları yıkamak için kullanılan suyu ısıtmadan enerji tasarrufuna katkıda bulunmaktadır. Aslına bakılırsa, güçlendirilmiş etki ve en iyi şekilde kullanılan su tüketimi ortalama standart bir devre süresinde mükemmel sonuçların elde edilmesini garanti etmektedir. Daha iyi yıkama sonuçları elde etmek için, sıvı deterjan kullanımı tavsiye edilmektedir.

! Bu programlarda uygulanamaz: 1, 6, 7, 8, 9, 10, 12, 13, 14, (❄️), (⊗).

## Ekstra Durulama

Bu opsiyon seçildiğinde durulamanın verimliliği daha yüksek olur ve deterjandan tamamen temizlenmesi sağlanır. Hassas ciltler için uygundur.

! Bu programlarda uygulanamaz: 8, (⊗).

## Zaman Ayarı

Makinanın çalışmasını 12 saate kadar geciktirebilir.

Gecikmeli çalıştırmayı programlamak için arzu ettiğiniz süreyi görünceye kadar göstergeli düğmeye basınız. Düğmeye beşinci basışınızda işlem iptal olacaktır.

**Not:** START/PAUSE düğmesine basıldığında, gecikme süresi yalnızca ayarlanan programı başlatana kadar azaltılarak değiştirilebilir.

! Tüm programlarla uygulanabilir.

# Deterjanlar ve amařır

TR

## Deterjan haznesi

Yıkamanın iyi sonuç vermesi doğru dozda deterjan kullanılmasına da baęlıdır: aşırı deterjan kullanmak suretiyle daha temiz amařırlar elde edilemeyeceęi gibi makinenin aksamına zarar verilerek, evre kirlilięine sebebiyet verilir.

! Elde yıkama deterjanları kullanmayınız, ünkü aşırı köpük yaparlar.

! Beyaz pamuklu amařırlar, ön yıkama ve 60°C'den yüksek sıcaklık derecesi ile yıkamalar için toz deterjan kullanınız.

! Deterjan ambalajı üzerinde aktarılan bilgileri takip ediniz.



Deterjan haznesini açınız ve deterjan ile katkı maddelerini ařaęıdaki şekilde koyunuz.

**hazne 1: Ön yıkama için deterjan (toz)**

**hazne 2: Yıkama için deterjan (toz veya likit)**

Sıvı deterjan, yalnızca, makine alıřtırılmadan konulabilir.

**hazne 3: Katkı maddeleri (yumuřatıcı, vs.)**

Yumuřatıcı ızgara seviyesini ařmamalıdır.

## amařır hazırlanması

- amařırları ařaęıdaki gibi ayırınız:
  - kumař tipi / etiketteki iřaret.
  - renkler: renkli amařırları beyazlardan ayırınız.
- Ceplerini boşaltınız ve düęmeleri kontrol ediniz.
- Kurulama sırasında amařırın aęırlıęını gösteren "Programlar Tablosu"ndaki deęerleri ařmayın.


### amařırların aęırlıęı nedir?

- 1 arřaf 400-500 gr.
- 1 yastık kılıfı 150-200 gr.
- 1 masa örtüsü 400-500 gr.
- 1 bornoz 900-1.200 gr.
- 1 havlu 150-250 gr.

## Özel programlar

**İpekliler:** ipekli tüm dokumalar için tasarlanmış olan **9.** programın kullanılması tavsiye edilir. Hassas dokumalar için özel bir deterjan kullanılması önerilir.

**Perdeler:** katlayarak bir yastık kılıfı veya file içerisine yerleřtiriniz. **9.** programın kullanılması önerilir.

**Yünlüler:** tüm yünlü kıyafetler üzerinde "yalnızca elde yıkayın"  etiketi olsa bile program **10** kullanılarak yıkanabilir. En iyi sonuçlar için, özel deterjanlar kullanın ve 1,5 kg amařır geçmeyin.

**Blucin:** Yıkamadan önce kıyafetleri ters evirin ve sıvı deterjan kullanın. program **11**'i kullanın.

## Yük dengeleme sistemi

Ařırı titreminen engellenmesi ve yükün düzenli daęılması için her sıkma devrinden önce iç sepet normal yıkama hızından biraz daha hızlı döner. Farklı şekillerde amařırları makineye doldurduktan sonra yük dengeli hale gelmediyse makine daha yavař bir sıkma devrini uygular. Yük ok dengesiz ise amařır makinesi sıkma devrini gerekleřtirmeden amařırları daęıtır. Yükün daha iyi yerleřtirilmesi ve dengeli olması için küçük giysilerle büyük giysileri karıřtırınız.

Çamaşır makinesi çalışmıyor olabilir. Teknik Servise başvurmadan önce (*Teknik Servis bölümüne bakınız*) aşağıdaki liste yardımıyla kolay çözülebilecek bir problem olup olmadığını kontrol ediniz.

## Arızalar:

### Çamaşır makinesi çalışmıyor.

### Olası nedenler / Çözümler:

- Fiş prize takılı değil veya tam temas etmiyor.
- Evde elektrik yok.

### Yıkama işlemi başlamıyor.

- Makinanın kapağı tam kapanmamış.
- ON/OFF düğmesine basılmamış.
- START/PAUSE düğmesine basılmamış.
- Su musluğu açık değil.
- Gecikmeli başlatmada bir gecikme süresi ayarlanmış (*bkz. Kişisel ayarlar*).

### Çamaşır makinesi su almıyor (ilk yıkama safhasının gösterge lambası hızlıca yanıp sönüyor).

- Su besleme hortumu musluğa takılı değil.
- Hortum bükülmüş.
- Su musluğu açık değil.
- Evde su kesik.
- Basınç yetersiz.
- START/PAUSE düğmesine basılmamış.

### Çamaşır makinesi devamlı su alıp veriyor.

- Tahliye hortumu yerden 65 ile 100 cm arasında yerleştirilmemiş (*bkz. "Montaj"*).
- Tahliye hortumunun başı suya girmiş (*bkz. "Montaj"*).
- Duvardaki tahliyenin hava boşluğu yok.

Bu kontrollerden sonra olumlu sonuç alınmazsa, musluğu ve kapatıp, çamaşır makinesini durdurarak Servise haber veriniz. Daire, binanın üst katlarındaysa, sifon olayı meydana gelerek çamaşır makinesi devamlı su alıp, veriyor olabilir. Bu sorunun çözümü için piyasada sifon önleyici valfler satılmaktadır.

### Çamaşır makinesi su boşaltmıyor veya santrifüj yapmıyor.

- Program su boşaltmayı öngörmüyor: bazı programlarda su boşaltma işlemi elle müdahale ederek başlatmak gerekir.
- Tahliye hortumu bükülmüş (*bkz. "Montaj"*).
- Tahliye kanalı tıkalı.

### Çamaşır makinesi santrifüj esnasında aşırı sarsılıyor.

- Hazne, çamaşır makinesinin montajı esnasında düzgün çözülmemiş (*bkz. "Montaj"*).
- Çamaşır makinesinin bulunduğu zemin düz değil (*bkz. "Montaj"*).
- Çamaşır makinesi mobilyalarla duvar arasında sıkışmış (*bkz. "Montaj"*).

### Çamaşır makinesi su kaçırıyor.

- Su giriş hortumu tam sıkılmamış (*bkz. "Montaj"*).
- Deterjan haznesi tıkanmış (temizlemek için *bkz. "Bakım ve özen"*).
- Tahliye hortumu düzgün takılmamış (*bkz. "Montaj"*).

### "Safha işlemi sürüyor" göstergesi yanarken "Fonksiyonlar" göstergesi yanar ve "START/PAUSE" göstergesi yanıp söner ve "kapak kilitli" göstergesi sabit bir şekilde yanar.

- Makineyi kapatınız, prizden fişi çekiniz ve 1 dakika sonra tekrar açınız. Arıza çözülmüyorsa Teknik Servisine başvurunuz.

### Aşırı köpük oluşuyor.

- Deterjan çamaşır makinesi için uygun değil ("çamaşır makinesi için", elde yıkama ve çamaşır makinesi için" veya benzer ibareler olmalıdır).
- Aşırı doz kullanıldı.

**Servise başvurmadan önce:**

- Servise başvurmadan çözülebilecek bir arıza olup olmadığını kontrol ediniz ("Arızalar ve onarımlar" bölümüne bakınız);
- Programı tekrar başlatarak, sorunun çözümlenip çözümediğini görünüz;
- Aksi takdirde, garanti belgesinde belirtilen telefon numaralarından teknik servisi arayınız.

! Kesinlikle, yetkili olmayan tamircilere müracaat etmeyiniz.

**Şunları bildiriniz:**

- arıza tipini;
- cihazın modeli (Mod.);
- seri numarası (S/N).

Bu bilgiler, çamaşır makinesinin arkasındaki plakada bulunurlar.

**Cihazın ömrü 10 yıldır.**

Tüm Türkiye'de; Yetkili Teknik Servis, Orijinal Yedek Parça, Bakım Ürünlerimiz ve Garanti ile ilgili bilgi için:

 0 212 444 50 10

## Ürün Verileri

Marka	INDESIT
Model	IWC 61251 C ECO EU
Kg cinsinden pamuklu kapasitesi	6.0
A+++ (düşük tüketim)'den G (yüksek tüketim)'e Enerji verimlilik sınıfı	A+
kWh cinsinden yıllık enerji tüketimi <sup>1)</sup>	193.0
Tam yükte standart 60 °C pamuklu programın kWh olarak enerji tüketimi <sup>2)</sup>	1.03
Kısmi yükte standart 60 °C pamuklu programın kWh olarak enerji tüketimi <sup>2)</sup>	0.775
Kısmi yükte standart 40 °C pamuklu programın kWh olarak enerji tüketimi <sup>2)</sup>	0.611
W olarak off-mode'un güç tüketimi	0.5
W olarak left-on mode'un güç tüketimi	8.0
Litre olarak yıllık su tüketimi <sup>3)</sup>	8643
G (minimum verimlilik)'den A (maksimum verimlilik)'ya santrifüjli kurutma verimliliği	B
Elde edilen maksimum devir hızı <sup>4)</sup>	1200
Kalan nem içeriği <sup>5)</sup>	53%
Tam yükte "standart 60 °C pamuklu programı"nın dakika olarak program süresi.	190
Kısmi yükte "standart 60 °C pamuklu programı"nın dakika olarak program süresi.	160
Kısmi yükte "standart 40 °C pamuklu programı"nın dakika olarak program süresi.	155
Dakika cinsinden left-on modunun süresi	30
Yıkamada dB(A) re 1 pW cinsinden gürültü <sup>6)</sup>	60
Sıkma dB(A) re 1 pW cinsinden gürültü <sup>6)</sup>	75

<sup>1)</sup> Tam yükte ve kısmi yükte "standart 60°C pamuklu" ve kısmi yükte "standart 40°C pamuklu" programları, etiketteki ve fişteki bilginin ilişkili olduğu yıkama programlarıdır. Standart 60°C pamuklu ve standart 40°C pamuklu programları, normal kirdeki pamuklu çamaşırları yıkamak için uygundur ve kombine enerji ve su tüketimi açısından en etkili programlardır. Kısmi yük, nominal yükün yarısıdır.

<sup>2)</sup> 60°C ve 40°C'de tam yük ve kısmi yük ile pamuklu programlarda yapılmış 220 adet standart yıkamaya dayanarak kWh cinsinden yıllık enerji tüketimi, ve düşük-güç modlarının tüketimi. Gerçek enerji tüketimi cihazın nasıl kullanıldığına göre değişecektir.

<sup>3)</sup> 60°C ve 40°C'de tam yük ve kısmi yük ile pamuklu programlarda yapılmış 220 adet standart yıkamaya dayanarak kWh cinsinden yıllık enerji tüketimi. Gerçek enerji tüketimi cihazın nasıl kullanıldığına göre değişecektir.

<sup>4)</sup> Tam yük ve kısmi yükte standart 60 °C ya da kısmi yükte 40 °C için , hangisi daha düşüktür.

<sup>5)</sup> Tam yük ve kısmi yükte standart 60 °C ya da kısmi yükte 40 °C için elde edilen, hangisi daha yüksektir.

<sup>6)</sup> Tam yükte 60 °C pamuklu program için yıkama ve sıkma evrelerine dayanarak.



## Free Manuals Download Website

<http://myh66.com>

<http://usermanuals.us>

<http://www.somanuals.com>

<http://www.4manuals.cc>

<http://www.manual-lib.com>

<http://www.404manual.com>

<http://www.luxmanual.com>

<http://aubethermostatmanual.com>

Golf course search by state

<http://golfingnear.com>

Email search by domain

<http://emailbydomain.com>

Auto manuals search

<http://auto.somanuals.com>

TV manuals search

<http://tv.somanuals.com>