

# Instructions for use

## WASHING MACHINE

GB

**GB**

English,1

**CIS**

РУССКИЙ,13

**SL**

Slovenščina,25

**HR**

Hrvatski,37

**HU**

Magyar,49

**GR**

ΕΛΛΗΝΙΚΑ,61

**WIE 107**

### Contents

#### Installation, 2-3

Unpacking and levelling, 2  
Electric and water connections, 2-3  
The first wash cycle, 3  
Technical details, 3

#### Washing machine description, 4-5

Control panel, 4  
Display, 5  
"MEMO" Programme, 5

#### Starting and Programmes, 6

Briefly: how to start a programme, 6  
Programme table, 6

#### Personalisations, 7

Setting the spin cycle, 7  
Setting the Delay Timer, 7  
Setting the temperature, 7  
Functions, 7

#### Detergents and laundry, 8

Detergent dispenser, 8  
Bleach cycle, 8  
Preparing your laundry, 8  
Special items, 8

#### Precautions and advice, 9

General safety, 9  
Disposal, 9  
Saving energy and respecting the environment, 9

#### Care and maintenance, 10

Cutting off the water or electricity supply, 10  
Cleaning your appliance, 10  
Cleaning the detergent dispenser, 10  
Caring for your appliance door and drum, 10  
Cleaning the pump, 10  
Checking the water inlet hose, 10

#### Troubleshooting, 11

#### Service, 12

Before calling for Assistance, 12



# Installation

GB

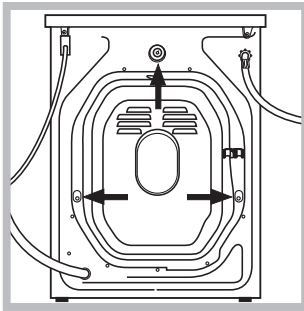
! Keep this instruction manual in a safe place for future reference. Should the appliance be sold, transferred or moved, make sure the instruction manual accompanies the washing machine to inform the new owner as to its operation and features.

! Read these instructions carefully: they contain vital information on installation, use and safety.

## Unpacking and levelling

### Unpacking

1. Unpack the washing machine.
2. Check whether the washing machine has been damaged during transport. If this is the case, do not install it and contact your retailer.



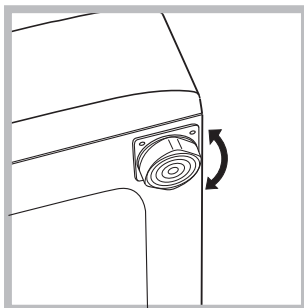
3. Remove the 3 protective screws and the rubber washer with the respective spacer, situated on the rear of the appliance (see figure).

4. Seal the gaps using the plastic plugs provided.
5. Use the plug provided to seal the three holes where the plug was housed, situated on the lower right-hand side on the rear of your appliance.
6. Keep all the parts: you will need them again if the washing machine needs to be moved to another location.

! Packaging materials are not children's toys.

### Levelling

1. Install the washing machine on a flat sturdy floor, without resting it up against walls, furniture cabinets or other.

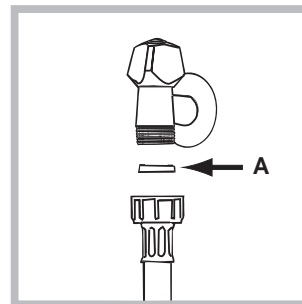


2. If the floor is not perfectly level, compensate for any unevenness by tightening or loosening the adjustable front feet (see figure); the angle of inclination, measured according to the worktop, must not exceed 2°.

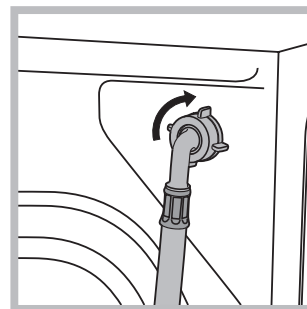
Levelling your appliance correctly will provide it with stability and avoid any vibrations, noise and shifting during operation. If it is placed on a fitted or loose carpet, adjust the feet in such a way as to allow enough room for ventilation beneath the washing machine.

## Electric and water connections

### Connecting the water inlet hose



1. Insert seal A into the end of the inlet hose and screw the latter onto a cold water tap with a 3/4 gas threaded mouth (see figure). Before making the connection, allow the water to run freely until it is perfectly clear.



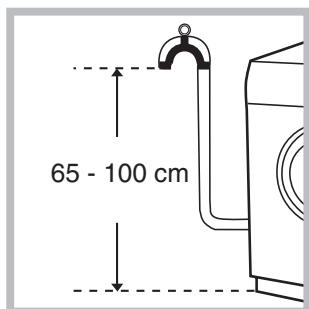
2. Connect the other end of the water inlet hose to the washing machine, screwing it onto the appliance's cold water inlet, situated on the top right-hand side on the rear of the appliance (see figure).

3. Make sure there are no kinks or bends in the hose.

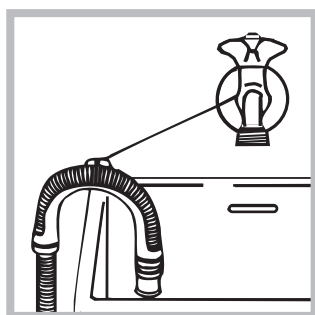
! The water pressure at the tap must be within the values indicated in the Technical details table (on the next page).

! If the water inlet hose is not long enough, contact a specialist store or an authorised serviceman.

### Connecting the drain hose



Connect the drain hose, without bending it, to a draining duct or a wall drain situated between 65 and 100 cm from the floor;



alternatively, place it over the edge of a basin, sink or tub, fastening the duct supplied to the tap (see figure). The free end of the hose should not be underwater.

! We advise against the use of hose extensions; in case of absolute need, the extension must have the same diameter as the original hose and must not exceed 150 cm in length.

### Electric connection

Before plugging the appliance into the mains socket, make sure that:

- the socket is earthed and in compliance with the applicable law;
- the socket is able to sustain the appliance's maximum power load indicated in the Technical details table (on the right);
- the supply voltage is included within the values indicated on the Technical details table (on the right);
- the socket is compatible with the washing machine's plug. If this is not the case, replace the socket or the plug.

! The washing machine should not be installed in an outdoor environment, not even when the area is sheltered, because it may be very dangerous to leave it exposed to rain and thunderstorms.

! When the washing machine is installed, the mains socket must be within easy reach.

! Do not use extensions or multiple sockets.


! The power supply cable must never be bent or dangerously compressed.

! The power supply cable must only be replaced by an authorised serviceman.

Warning! The company denies all liability if and when these norms are not respected.

### The first wash cycle

Once the appliance has been installed, and before you use it for the first time, run a wash cycle with detergent and no laundry, setting the 90°C programme without a pre-wash cycle.

Technical details	
<b>Model</b>	WIE 107
<b>Dimensions</b>	59.5 cm wide 85 cm high 52.5 cm deep
<b>Capacity</b>	from 1 to 5 kg
<b>Electric connections</b>	voltage 220/230 Volts 50 Hz maximum absorbed power 1850 W
<b>Water connections</b>	maximum pressure 1 MPa (10 bar) minimum pressure 0.05 MPa (0.5 bar) drum capacity 46 litres
<b>Spin speed</b>	up to 1000 rpm
<b>Control programmes according to IEC456 directive</b>	programme 2; temperature 60°C; run with a load of 5 kg.
	This appliance is compliant with the following European Community Directives: - 73/23/CEE of 19/02/73 (Low Voltage) and subsequent amendments - 89/336/CEE of 03/05/89 (Electromagnetic Compatibility) and subsequent amendments

GB

Installation

Description

Programmes

Detergents

Precautions

Care

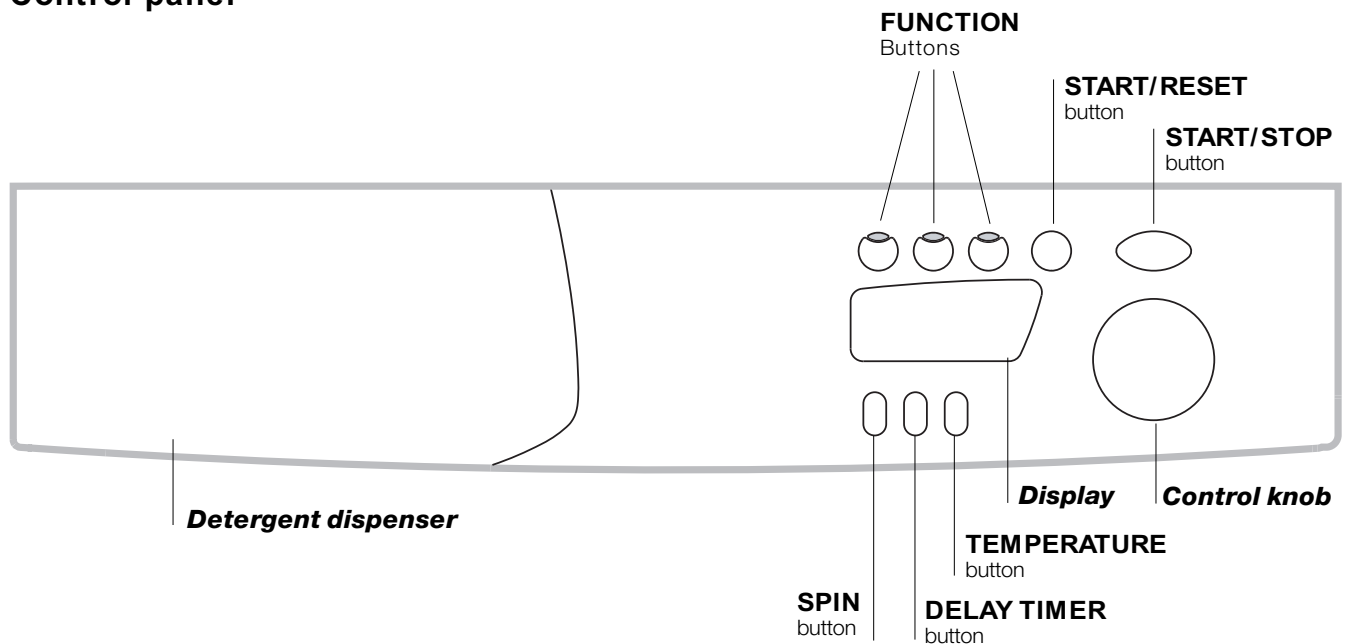
Troubleshooting

Service

# Washing machine description

GB

## Control panel



**Detergent dispenser** to add detergent and fabric softener (see page 8).

**SPIN** button to adjust the spin speed or exclude it altogether (see page 7).

**DELAY TIMER** button to delay the start of the set programme for a maximum period of 24 hours (see page 7).

**TEMPERATURE** button to adjust the wash temperature (see page 7).

**Display** to programme the washing machine and follow the wash cycle progress (see opposite page).

**FUNCTION** buttons: to select the functions available. The button corresponding to the function selected will remain on.

**START/RESET** button to start the programmes or cancel any incorrect settings.

**START/STOP** button to turn the washing machine on and off.

**Control knob** to select the wash programmes. The knob stays still during the cycle.

## Display

In addition to being a practical tool to programme your appliance (see page 7), the display provides useful information concerning the wash cycle.



Once you have pressed the START/RESET button to start the programme, the display will indicate the amount of time left until the end of the wash cycle. If a delayed start has been set (using the Delay Timer, see page 7), the delay time will be indicated on the display.

### **Door lock:**



If the symbol is on, the washing machine door is locked to prevent it from being opened accidentally. To avoid any damages, wait for the symbol to switch itself off before you open the appliance door.

At the end of the programme, the word END is displayed.

! In the event of an anomaly, an error code will appear, such as: F-01, which should be communicated to the Service Centre (see page 12).

### **"MEMO" Programme**

This programme allows you to store your favourite or most-used wash cycle.

All you have to do is set the desired programme and, once it has started, turn the KNOB to position ; the wash cycle will be stored automatically and the word MEMO appears on the display, flashing for a few seconds. Subsequently, you can start the "MEMO" cycle by simply turning the KNOB to position ; you will be able to see the temperature/spin cycle/delay timer values by pressing the corresponding buttons; you will also be able to modify them but this variation will only be valid for the programme in progress and it will not be stored in the "MEMO" cycle.

If you want to store a new wash cycle, repeat the above-mentioned operations.

GB

Installation

Description

Programmes

Detergents

Precautions

Care

Troubleshooting

Service





# Starting and Programmes

GB

## Briefly: starting a programme

1. Turn the washing machine on by pressing button (I).
2. Load your laundry into the washing machine and shut the appliance door.
3. Set the knob to the desired programme. The estimated duration of the selected programme is displayed. The temperature and spin speed are automatically set according to the programme (to change them, see page 7).
4. Select any functions (see page 7).
5. Add the detergent and any fabric softener (see page 8).
6. Start the programme by pressing the START/RESET button.  
To cancel it, keep the START/RESET button pressed for at least 2 seconds.
7. When the programme has ended, the word END is displayed. Take out your laundry and leave the appliance door ajar to allow the drum to dry thoroughly.
8. Turn the washing machine off by pressing button (I).

## Programme table

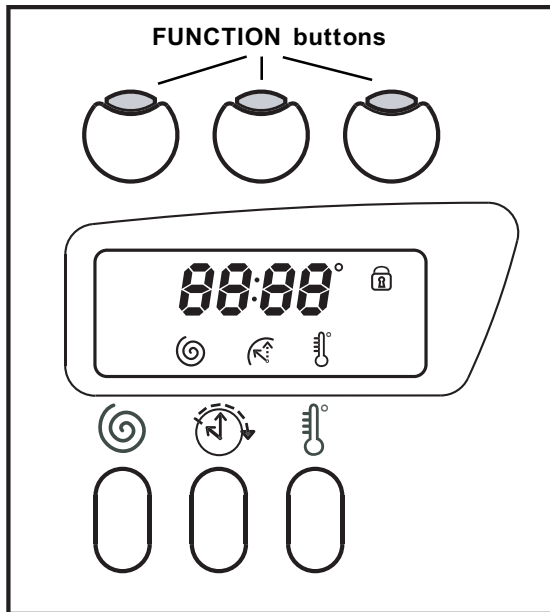
Type of fabric and degree of soil	Programmes	Temperature	Detergent		Fabric softener	Stain removal option/bleach	Cycle length (minutes)	Description of wash cycle
			pre-wash	wash				
<b>Standard</b>								
Extremely soiled whites (sheets, tablecloths, etc.)	1	90°C	•	•	•		135	Pre-wash, wash cycle, rinse cycles, intermediate and final spin cycles
Extremely soiled whites (sheets, tablecloths, etc.)	2	90°C		•	•	Delicate/Traditional	125	Wash cycle, rinse cycles, intermediate and final spin cycles
Heavily soiled whites and fast colours	2	60°C		•	•	Delicate/Traditional	110	Wash cycle, rinse cycles, intermediate and final spin cycles
Heavily soiled whites and delicate colours	2	40°C		•	•	Delicate/Traditional	105	Wash cycle, rinse cycles, intermediate and final spin cycles
Slightly soiled whites and delicate colours (shirts, jumpers, etc.)	3	40°C		•	•	Delicate/Traditional	70	Wash cycle, rinse cycles, intermediate and final spin cycles
Heavily soiled fast colours (baby linen, etc.)	4	60°C		•	•	Delicate	75	Wash cycle, rinse cycles, anti-crease or delicate spin cycle
Heavily soiled fast colours (baby linen, etc.)	4	40°C		•	•	Delicate	60	Wash cycle, rinse cycles, anti-crease or delicate spin cycle
Wool	5	40°C		•	•		50	Wash cycle, rinse cycles, anti-crease and delicate spin cycle
Very delicate fabrics (curtains, silk, viscose, etc.)	6	30°C		•	•		45	Wash cycle, rinse cycles, anti-crease or draining cycle
<b>Time 4 you</b>								
Heavily soiled whites and fast colours	7	60°C		•	•		65	Wash cycle, rinse cycles, intermediate and final spin cycles
Slightly soiled whites and delicate colours (shirts, jumpers, etc.)	8	40°C		•	•		55	Wash cycle, rinse cycles, intermediate and final spin cycles
Delicate colours (all types of slightly soiled garments)	9	40°C		•	•		45	Wash cycle, rinse cycles, delicate spin cycle
Delicate colours (all types of slightly soiled garments)	10	30°C		•	•		30	Wash cycle, rinse cycles and delicate spin cycle
<b>Sport</b>								
Sports shoes (MAX. 2 pairs)	11	30°C		•	•		50	Cold wash (without detergents), wash cycle, rinse cycles, and delicate spin cycle
Fabrics for sportswear (Tracksuits, shorts, etc.)	12	30°C		•	•		60	Wash cycle, rinse cycles, intermediate and final spin cycles
<b>MEMO</b>		Allows for any wash cycle to be stored (see page 5).						
<b>PARTIAL PROGRAMMES</b>								
Rinse					•	Delicate/Traditional		Rinse cycles and spin cycle
Spin								Draining and spin cycle
Drain								Draining

## Notes

- For programmes 7 and 8, we advise against exceeding a wash load of 3.5 kg.
- For programme 12 we advise against exceeding a wash load of 2 kg.
- For the anti-crease function: see Easy iron, *opposite page*. The information contained in the table is purely indicative.

## Special programme

*Daily* (programme 10 for Synthetics) is designed to wash lightly soiled garments in a short amount of time: it only lasts 30 minutes and allows you to save on both time and energy. By setting this programme (10 at 30°C), you can wash different fabrics together (except for woollen and silk items), with a maximum load of 3 kg.  
We recommend the use of liquid detergent.



## Setting the spin cycle

If, when the appliance is switched on, the KNOB is positioned on a programme with a spin cycle, a fixed appears. Press button and the maximum spin speed allowed for the programme set will be displayed, and the icon flashes. Press it again and the values lower until they reach OFF, which indicates that the spin cycle has been excluded (press it again to go back to the maximum value); stop on the desired speed, after approximately 2 seconds the setting is accepted: the symbol remains fixed. The spin cycle setting is enabled with all the programmes except for 6 and the Draining cycle.

## Setting the Delay Timer

Press the button and you will see the word OFF on the display, while the relative symbol flashes. Press the button again and "1h" appears, that is, a delay of one hour (this can reach up to 24h); stop on the "desired" delay; after approximately 2 seconds the setting is accepted, following which, the time for the set programme appears on the display and the symbol remains on. If you now press the START/RESET button, the set "delay" appears; this decreases every hour until the start of the cycle. In

this phase, the "delay" can only be modified by decreasing it. The Delay Timer regulation is enabled with all programmes.

## Setting the temperature

If, when the appliance is switched on, the KNOB is positioned on a programme for which the temperature needs to be regulated, a fixed appears. Press button and the maximum temperature allowed for the programme set will be displayed and the icon flashes. Press it again and the temperature lowers until it reaches OFF, which indicates a cold wash cycle (press it again to go back to the maximum value); stop on the desired value, after approximately 2 seconds the setting is accepted: the symbol remains fixed. The temperature adjustment is enabled with all wash programmes.

## Functions

To enable a function:

1. press the button corresponding to the desired function, according to the table below;
2. the function is enabled when the corresponding button is illuminated.

Note: The rapid flashing of the button indicates that the corresponding function cannot be selected for the programme set.

If you set a function that is incompatible with another function you selected previously, only the last one selected will be enabled.

Function	Effect	Comments	Enabled with programmes:
<b>Stain removal</b>	Bleaching cycle designed to remove the toughest stains.	Please remember to pour the bleach into extra compartment 4 (see page 8). This function is incompatible with the EASY IRON function.	2, 3, 4, Rinse cycle.
<b>Extra Rinse</b>	Increases the efficiency of the rinse.	Recommended when the appliance has a full load or with large quantities of detergent.	1, 2, 3, 4, 7, 8, 9, 11, 12, Rinse cycle.
<b>Easy iron</b>	This option reduces the amount of creasing on fabrics, making them easier to iron.	When this function is set, programmes 4, 5, 6 will end, with the laundry left to soak (Anti-crease), and the relative button flashes: - to conclude the cycle, press the START/RESET button or the EASY IRON button; - to run the draining cycle alone, set the knob to the relative symbol  and press the START/RESET button. This function is incompatible with the STAIN REMOVAL function.	3, 4, 5, 6, 7, 8, 9, Rinse cycle.

GB

Installation

Description

Programmes

Detergents

Precautions

Care

Troubleshooting

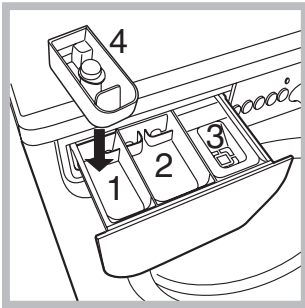
Service

# Detergents and laundry

GB

## Detergent dispenser

Good washing results also depend on the correct dose of detergent: adding too much detergent won't necessarily make for a more efficient wash, and may in fact cause build up on the interior of your appliance and even pollute the environment.



Open up the detergent dispenser and pour in the detergent and fabric softener, as follows.

### compartment 1: Detergent for pre-wash (powder)

Before pouring in the detergent, make sure that extra compartment 4 has been removed.

### compartment 2: Detergent for the wash cycle (powder or liquid)

Liquid detergent should only be poured in immediately prior to the wash cycle start.

### compartment 3: Additives (fabric softeners, etc.)

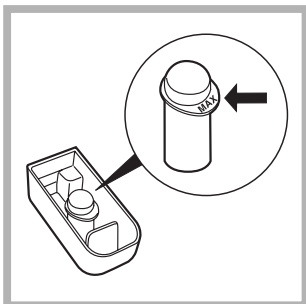
The fabric softener should not overflow from the grid.

### extra compartment 4: Bleach


! Do not use hand wash detergent because it may form too much foam.

## Bleach cycle

! **Traditional** bleach should be used on sturdy white fabrics, and **delicate** bleach for coloured fabrics, synthetics and for wool.



Place extra compartment 4, provided, into compartment 1. When pouring in the bleach, be careful not to exceed the "max" level indicated on the central pivot (*see figure*).

To run the bleach cycle alone, pour the bleach into extra compartment 4 and set the Rinse programme . To bleach during a wash cycle, pour in the detergent and fabric softener, set the desired programme and enable the Stain removal function (*see page 7*).

The use of extra compartment 4 excludes the possibility of using the pre-wash cycle. In addition, the bleach cycle cannot be run with programmes 6 (Silk) and Daily (*see page 6*).

## Preparing your laundry

- Divide your laundry according to:
  - the type of fabric/the symbol on the label.
  - the colours: separate coloured garments from whites.
- Empty all pockets and check for loose buttons.
- Do not exceed the weight limits stated below, which refer to the weight when dry:
  - Sturdy fabrics: max 5 kg
  - Synthetic fabrics: max 2.5 kg
  - Delicate fabrics: max 2 kg
  - Wool: max 1 kg

## How much does your laundry weigh?

- 1 sheet 400-500 g
- 1 pillow case 150-200 g
- 1 tablecloth 400-500 g
- 1 bathrobe 900-1,200 g
- 1 towel 150-250 g

## Special items

**Curtains:** fold curtains and place them in a pillow case or mesh bag. Wash them separately without exceeding half the appliance load. Use programme 6 which excludes the spin cycle automatically.

**Quilted coats and windbreakers:** if they are padded with goose or duck down, they can be machine-washed. Turn the garments inside out and load a maximum of 2-3 kg, repeating the rinse cycle once or twice and using the delicate spin cycle.

**Wool:** for best results, use a specific detergent, taking care not to exceed a load of 1 kg.



! The washing machine was designed and built in compliance with the applicable international safety regulations. The following information is provided for your safety and should consequently be read carefully.

## General safety

- This appliance has been designed for non-professional, household use and its functions must not be changed.
- This washing machine should only be used by adults and in accordance with the instructions provided in this manual.
- Never touch the washing machine when barefoot or with wet or damp hands or feet.
- Do not pull on the power supply cable to unplug the appliance from the electricity socket. Pull the plug out yourself.
- Do not open the detergent dispenser while the appliance is in operation.
- Do not touch the drain water as it could reach very high temperatures.
- Never force the washing machine door: this could damage the safety lock mechanism designed to prevent any accidental openings.
- In the event of a malfunction, do not under any circumstances touch internal parts in order to attempt repairs.
- Always keep children well away from the appliance while in operation.
- The appliance door tends to get quite hot during the wash cycle.
- Should it have to be moved, proceed with the help of two or three people and handle it with the utmost care. Never try to do this alone, because the appliance is very heavy.
- Before loading your laundry into the washing machine, make sure the drum is empty.

## Disposal

- Disposing of the packaging material: observe local regulations, so the packaging can be re-used.

- Disposing of an old washing machine: before scrapping your appliance, cut the power supply cable and remove the appliance door.

## Saving energy and respecting the environment

### Environmentally-friendly technology

If you only see a little water through your appliance door, this is because thanks to the latest Indesit technology, your washing machine only needs less than half the amount of water to get the best results: an objective reached to respect the environment.

### Saving on detergent, water, energy and time

- To avoid wasting resources, the washing machine should be used with a full load. A full load instead of two half loads allows you to save up to 50% on energy.
- The pre-wash cycle is only necessary on extremely soiled garments. Avoiding it will save on detergent, time, water and between 5 and 15% energy.
- Treating stains with a stain remover or leaving them to soak before washing will cut down the need to wash them at high temperatures. A programme at 60°C instead of 90°C or one at 40°C instead of 60°C will save up to 50% on energy.
- Use the correct quantity of detergent depending on the water hardness, how soiled the garments are and the amount of laundry you have, to avoid wastage and to protect the environment: despite being biodegradable, detergents do contain ingredients that alter the natural balance of the environment. In addition, avoid using fabric softener as much as possible.
- If you use your washing machine from late in the afternoon until the early hours of the morning, you will help reduce the electricity board's peak load. The Delay Timer option (see page 7) helps to organise your wash cycles accordingly.
- If your laundry has to be dried in a tumble dryer, select a high spin speed. Having the least water possible in your laundry will save you time and energy in the drying process.

GB

Installation

Description

Programmes

Detergents

Precautions

Care

Troubleshooting

Service

# Care and maintenance

GB

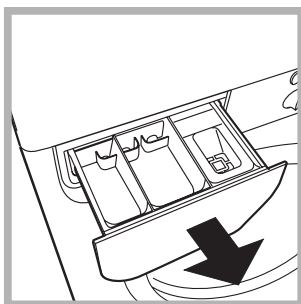
## Cutting off the water or electricity supply

- Turn off the water tap after every wash. This will limit the wear of your appliance's water system and also prevent leaks.
- Unplug your appliance when cleaning it and during all maintenance operations.

## Cleaning your appliance

The exterior and rubber parts of your appliance can be cleaned with a soft cloth soaked in lukewarm soapy water. Do not use solvents or abrasives.

## Cleaning the detergent dispenser



Remove the dispenser by pulling it out (see figure). Wash it under running water; this operation should be repeated frequently.

## Caring for your appliance door and drum

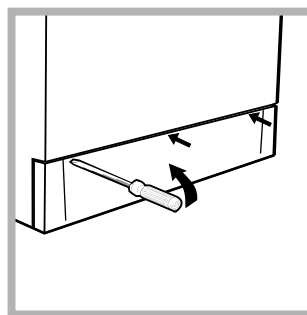
- Always leave the appliance door ajar to prevent unpleasant odours from forming.

## Cleaning the pump

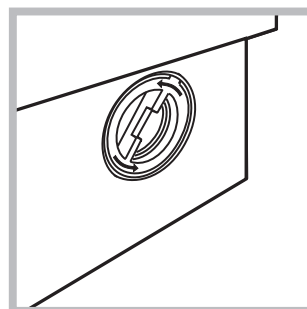
The washing machine is fitted with a self-cleaning pump that does not require any maintenance. Sometimes, small items (such as coins or buttons) may fall into the pre-chamber that protects the pump, situated in the lower part of the same.

**!** Make sure the wash cycle has ended and unplug the appliance.

To access the pre-chamber:



1. using a screwdriver, remove the cover panel on the lower front of the washing machine (see figure);



2. unscrew the lid rotating it anti-clockwise (see figure): a little water may trickle out. This is perfectly normal;

3. clean the interior thoroughly;
4. screw the lid back on;
5. reposition the panel, making sure the hooks are securely in place before you push it onto the appliance.

## Checking the water inlet hose

Check the water inlet hose at least once a year. If you see any cracks, replace it immediately: during the wash cycles, water pressure is very strong and a cracked hose could easily split open.

**!** Never use hoses that have already been used.

Your washing machine could fail to work. Before calling for Assistance (see page 12), make sure the problem can't easily be solved by consulting the following list.

## Problem

## Possible causes/Solution:

**The washing machine won't start.**

- The appliance is not plugged into the socket, or not enough to make contact.
- There has been a power failure.

**The wash cycle won't start.**

- The appliance door is not shut properly (the word DOOR is displayed).
- The (⏸) button has not been pressed.
- The START/RESET button has not been pressed.
- The water tap is not turned on.
- A delayed start has been set (using the Delay Timer, see page 7).

**The washing machine fails to load water (The wording H2O is displayed).**

- The water inlet hose is not connected to the tap.
- The hose is bent.
- The water tap is not turned on.
- There is a water shortage.
- The water pressure is insufficient.
- The START/RESET button has not been pressed.

**The washing machine continuously loads and unloads water.**

- The drain hose is not fitted between 65 and 100 cm from the floor (see page 3).
- The free end of the hose is underwater (see page 3).
- The wall drainage system doesn't have a breather pipe.

If the problem persists even after these checks, turn off the water tap, switch the appliance off and call for Assistance. If the dwelling is on one of the upper floors of a building, there may be drain trap problems causing the washing machine to load and unload water continuously. In order to avoid such an inconvenience, special anti-drain trap valves are available in shops.

**The washing machine does not drain or spin.**

- The programme does not foresee the draining: some programmes require enabling the draining manually (see page 6).
- The Easy iron option is enabled: to complete the programme, press the START/RESET button (see page 7).
- The drain hose is bent (see page 3).
- The drain duct is clogged.

**The washing machine vibrates too much during the spin cycle.**

- The drum was not unblocked correctly during installation (see page 2).
- The washing machine is not level (see page 2).
- The washing machine is closed in between furniture cabinets and the wall (see page 2).

**The washing machine leaks.**

- The water inlet hose is not screwed on correctly (see page 2).
- The detergent dispenser is obstructed (to clean it, see page 10).
- The drain hose is not secured properly (see page 3).

**There is too much foam.**

- The detergent is not suitable for machine washing (it should bear the definition "for washing machines" or "hand and machine wash", or the like).
- You used too much detergent.

GB

Installation

Description

Programmes

Detergents

Precautions

Care

Troubleshooting

Service

# Service

---

GB

## **Before calling for Assistance:**

- Check whether you can solve the problem on your own (*see page 11*);
- Restart the programme to check whether the problem has been solved;
- If this is not the case, contact an authorised Technical Service Centre on the telephone number provided on the guarantee certificate.

! Always request the assistance of authorised servicemen.

## **Notify the operator of:**

- the type of problem;
- the appliance model (Mod.);
- the serial number (S/N).

This information can be found on the data plate situated on the rear of the washing machine.

CIS

РУССКИЙ

WIE 107

CIS

### Содержание

#### Установка, 14-15

Распаковка и выравнивание, 14  
Подключение к водопроводной и электрической сети, 14-15  
Пробный цикл стирки, 15  
Технические характеристики, 15

#### Описание стиральной машины, 16-17

Панель управления, 16  
Дисплей, 17  
Программа «МЕМО», 17

#### Запуск машины. Программы, 18

Краткие инструкции: Порядок запуска программы, 18  
Таблица программ, 18

#### Персонализация стирки, 19

Установка скорости отжима, 19  
Регулировка таймера отсрочки (Delay Timer), 19  
Выбор температуры, 19  
Функции, 19

#### Моющие средства и белье, 20

Распределитель моющих средств, 20  
Отбеливание, 20  
Подготовка белья, 20  
Особенности стирки отдельных изделий, 20

#### Предупреждения и рекомендации, 21

Общие правила безопасности, 21  
Утилизация, 21  
Экономия и охрана окружающей среды, 21

#### Обслуживание и уход, 22

Отключение воды и электричества, 22  
Уход за стиральной машиной, 22  
Уход за распределителем моющих средств, 22  
Уход за дверцей машины и барабаном, 22  
Чистка насоса, 22  
Проверка заливного шланга, 22

#### Устранение неисправностей, 23

#### Сервисное обслуживание, 24

# Установка

CIS

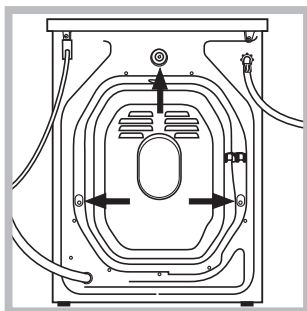
**!** Сохраните данное руководство. Оно должно быть в комплекте со стиральной машиной в случае продажи, передачи оборудования или при переезде на новую квартиру, чтобы новый владелец оборудования мог ознакомиться с правилами его функционирования и обслуживания.

**!** Внимательно прочитайте руководство: в нем содержатся важные сведения по установке и безопасной эксплуатации стиральной машины.

## Распаковка и выравнивание

### Распаковка

1. Распакуйте стиральную машину.
2. Убедитесь, что оборудование не было повреждено во время транспортировки. При обнаружении повреждений – не подключайте машину – свяжитесь с поставщиком немедленно.



3. Снимите 3 винта, предохраняющие машину в процессе перевозки, и резиновые пробки с соответствующим распорными шайбами, расположенные в задней части стиральной машины (см. рис.).

4. Закройте отверстия прилагающимися пласт-

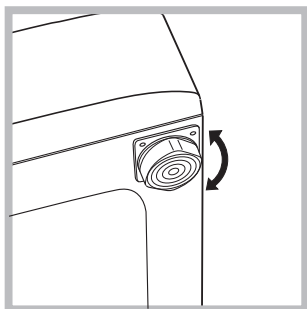
тиковыми заглушками.

5. Закройте прилагающейся заглушкой три отверстия для вилки оборудования (во время его транспортировки), расположенные в задней нижней правой части оборудования
6. Сохраняйте все детали: они Вам понадобятся при последующей транспортировке стиральной машины.

**!** Не разрешайте детям играть с упаковочными материалами.

### Выравнивание

1. Установите стиральную машину на ровном и прочном полу, так чтобы она не касалась стен, мебели и прочих предметов.



2. После установки машины на место отрегулируйте ее устойчивое положение путем вращения передних ножек (см. рис.). Для этого сначала ослабьте контргайку, после завершения регулировки контргайку затяните.

После установки машины на место проверьте по

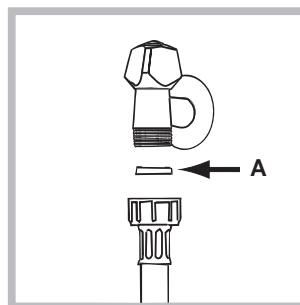
уровню горизонтальность верхней крышки корпуса, отклонение горизонтали должно быть не более 2°.

Правильное выравнивание оборудования поможет избежать шума, вибраций и смещений во время работы машины.

Если стиральная машина стоит на полу, покрытом ковром, убедитесь, что ее основание возвышается над ковром. В противном случае вентиляция будет затруднена или вовсе невозможна.

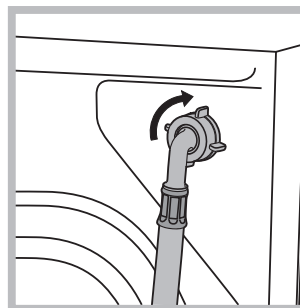
## Подключение к водопроводной и электрической сети

### Подсоединение заливного шланга



1. Вставьте прокладку А в конец заливного шланга и наверните его на вывод водопровода холодной воды с резьбовым отверстием 3/4 дюйма (см. рис.).

Перед подсоединением откройте водопроводный кран и дайте стечь грязной воде.



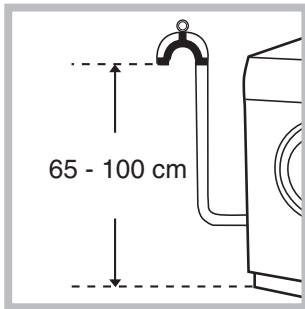
2. Подсоедините заливной шланг к стиральной машине, навинтив его на водоприемник, расположенный в задней верхней части справа (см. рис.).

3. Убедитесь, что шланг не перекручен и не пережат.

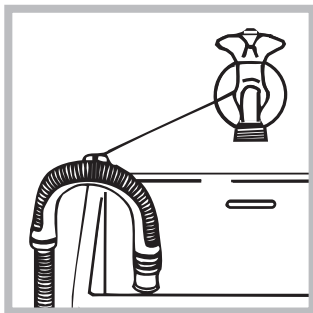
**!** Давление воды должно быть в пределах значений, указанных в таблице Технических характеристик (см. с. 3).

**!** Если длина водопроводного шланга окажется недостаточной, обратитесь в Авторизованный Сервисный центр.

### Подсоединение сливного шланга



Повесьте загнутый конец сливного шланга на край раковины, ванны, или поместите в специальный вывод канализации. Шланг не должен перегибаться. Верхняя точка сливного шланга должна находиться на высоте 65-100 см от пола. Расположение сливного шланга должно обеспечивать разрыв струи при сливе (конец шланга не должен быть опущен в воду).



В случае крепления на край ванной или раковины, шланг вешается с помощью направляющей (входит в комплект поставки), которая крепится к крану (рис.).

**!** Не рекомендуется применение удлинителей для сливного шланга, при необходимости допускается его наращивание шлангом такого же диаметра и длиной не более 150 см.

### Подсоединение к электросети

Внимание! Оборудование обязательно должно быть заземлено!

1. Машина подключается к электрической сети при помощи двухполюсной розетки с заземляющим контактом (розетка не поставляется с машиной). Фазный провод должен быть подключен через автомат защиты сети, рассчитанный на максимальный ток (ток срабатывания) 16 А, и имеющий время срабатывания не более 0,1 с.
2. При наличии вблизи от предполагаемого места установки машины розетки с заземляющим контактом, имеющей трехпроводную подводку кабеля с медными жилами сечением не менее 1,5 кв. мм (или алюминиевыми жилами сечением не менее 2,5 кв. мм), доработка электросети не производится. При отсутствии указанной розетки и проводки следует провести их монтаж.
3. Прокладка заземления отдельным проводом не допускается.
4. Для доработки электрической сети рекомендуется применять провод типа ППВ 3х1,5 380 ГОСТ 6223-79. Допускается применение других марок кабеля, обеспечивающих пожаро- и электробезопасность при эксплуатации машины.

Перед включением машины в сеть убедитесь, что:

- розетка и проводка соответствуют требованиям, изложенным в данном разделе инструкции;
- напряжение и частота тока сети соответствуют данным машины;
- розетка и вилка одного типа;

- розетка заземлена в соответствии с нормами безопасности, описанными в данном разделе инструкции (допускается организация заземления рабочим нулем, при условии, что защитная линия не имеет разрыва и подключена напрямую в обвод каких-либо приборов (например, электрического счетчика).

Если вилка не подходит к розетке, ее следует заменить на новую, соответствующую розетке, или заменить питающий кабель. Замена кабеля должна производиться только квалифицированным персоналом.

Запрещается использование переходников, двойных и более розеток и удлинителей (они создают опасность возгорания). Если Вы считаете их использование необходимым, применяйте один единственный удлинитель, удовлетворяющий требованиям безопасности.

*Оборудование, подключенное с нарушением требований безопасности бытовых приборов большой мощности, изложенных в данной инструкции, является потенциально опасным.*

*Производитель не несет ответственности за ущерб здоровью и собственности, если он вызван несоблюдением указанных норм установки.*

### Первый цикл стирки

По завершении установки, перед началом эксплуатации необходимо произвести один цикл стирки со стиральным порошком, но без белья, по программе 90°C без предварительной стирки.

Технические характеристики	
<b>Модель</b>	WIE 107
<b>Размеры</b>	ширина 59,5 см высота 85 см глубина 52,5 см
<b>Загрузка</b>	1 - 5 кг
<b>Электрические параметры</b>	напряжение 220/230 В 50 Гц max мощность 1850 Ватт
<b>Гидравлические параметры</b>	max давление 1 Мпа (10 бар) min давление 0,05 Мпа (0,5 бар) объем барабана 46 л
<b>Скорость отжима</b>	до 1000 об/мин
<b>Контрольные программы согласно нормативу IEC 456</b>	программа 2; температура 60°C; при загрузке до 5 кг.
	Машина соответствует следующим Директивам Европейского Экономического сообщества: - 73/223/ ЕЕС от 19.02.73 (низкого напряжения) и последующие модификации - 89/336 /ЕЕС от 03.05.89 (электромагнитной совместимости) и последующие модификации

CIS

Установка

Описание

Программы

Моющие средства

Меры безопасности

Обслуживание и уход

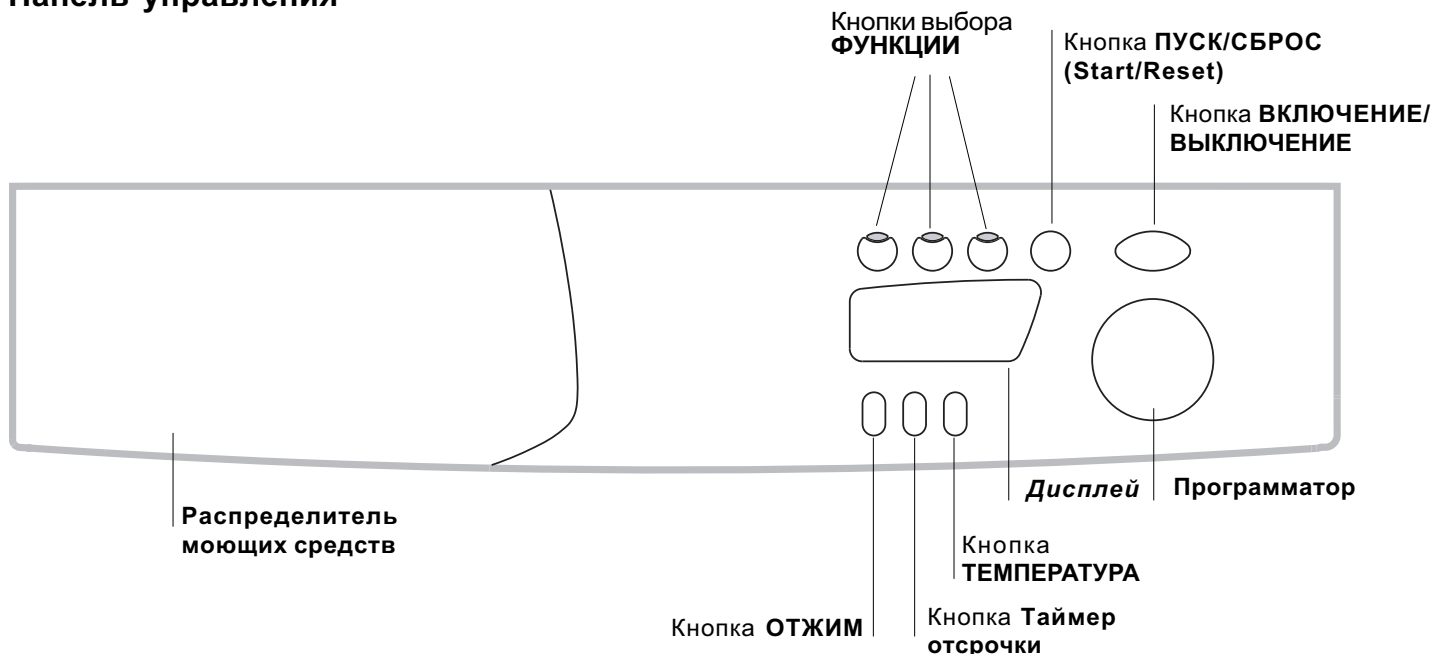
Неисправности

Сервис

# Описание стиральной машины

CIS

## Панель управления



**Распределитель моющих средств** для загрузки стирального порошка и смягчителей (см. с. 20).

Кнопка **ОТЖИМ** используется для выбора скорости отжима, а также для его исключения (см. с. 19).

Кнопка **Таймер отсрочки** (DELAY TIMER) служит для отсрочки запуска заданной программы на период максимум до 24 ч (см. стр. 19).

Кнопка **ТЕМПЕРАТУРА** служит для выбора температуры стирки (см. с. 19).

**Дисплей** служит для программирования стиральной машины и для контроля за циклами стирки (см. с. 17).

Кнопки выбора **ФУНКЦИИ**: служат для выбора доступных функций. Кнопка выбранной функции останется включенной.

Кнопка **ПУСК/СБРОС** используется для запуска программ или для отмены ошибочного программирования.

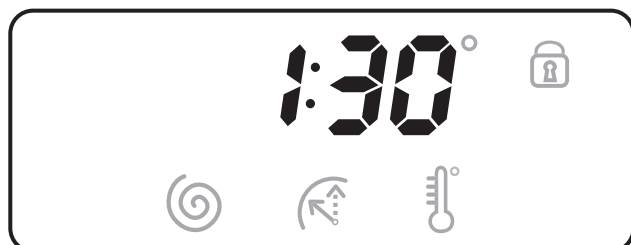
Кнопка **ВКЛЮЧЕНИЕ/ВЫКЛЮЧЕНИЕ** служит для включения и выключения стиральной машины.

**Программатор** служит для выбора программ. **В процессе выполнения программы рукоятка остается неподвижной.**



## Дисплей

Дисплей является удобным средством программирования стиральной машины (см. стр. 19), а также источником полезной информации о выполняемом цикле стирки.



При нажатии кнопки ПУСК/СБРОС (Start/Reset) для запуска программы на дисплее показывается приблизительное время, остающееся до завершения цикла. В случае установки отложенного старта программы (Таймер отсрочки, см. с. 19) дисплей будет показывать время, оставшееся до начала стирки.

### Блокировка дверцы:


Горящий символ показывает — дверца заблокирована, чтобы исключить ее случайное открывание. Во избежание повреждений прежде, чем открыть дверцу, подождите пока символ погаснет.


По завершении программы на дисплее появляется сообщение END (Конец).

! В случае неисправности на дисплее появляется код ошибки, например: F-01, который необходимо сообщить в Авторизованный Сервисный центр (см. с. 24).

### Программа «МЕМО»

Эта программа позволяет ввести в память машины наиболее удобный для вас или часто используемый цикл стирки.

Все, что Вы должны сделать, это задать желаемую программу и после ее запуска повернуть Программатор в позицию . Цикл стирки будет сохранен в памяти машины, и на дисплее на несколько секунд появится мигающая надпись «МЕМО».

В последствии Вы можете запускать цикл «МЕМО», просто повернув Программатор в позицию . Нажав соответствующие кнопки, Вы можете увидеть значения температуры / скорости отжима / таймера отсрочки, которые можно изменить, но эти изменения будут относиться только к работающей программе и в программе «МЕМО» сохранены не будут.

Если вы хотите ввести в память машины новый цикл стирки, повторите вышеописанные операции.

CIS

Установка

Описание

Программы

Мягкие средства

Меры безопасности

Обслуживание и уход


Неисправности

Сервис

# Запуск машины. Программы

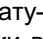
CIS

## Краткие инструкции: Порядок запуска программы





1. Включите стиральную машину, нажав кнопку .
2. Загрузите белье и закройте дверцу машины.
3. Установите рукоятку программатора на нужную программу. На дисплее появится прогнозируемая продолжительность выбранного цикла. Температура и скорость отжима задаются автоматически в соответствии с выбранной программой (как изменить их см. на с. 19).
4. Выберите дополнительные функции (см. стр. 19).
5. Добавьте в распределитель моющее средство, ополаскиватель, отбеливатель (см. с. 20).

6. Запустите программу, нажав кнопку ПУСК/СБРОС (Start/Reset).

Для отмены запуска держите нажатой кнопку ПУСК/СБРОС (Start/Reset) в течение 2-х секунд.

**По окончании программы** на дисплее появится сообщение END (Конец). Подождите пока на дисплее погаснет символ блокировки дверцы. Выключите стиральную машину, нажав кнопку . Откройте дверцу машины. Вынув белье, оставьте дверцу машины открытой, чтобы дать испариться оставшейся влаге. Обязательно перекройте кран подачи воды и отключите машину из сети.

## Таблица программ

Ткань и степень загрязнения	Прогр.	Температура	Моющее средство		Смягчитель	Удаление пятен / Отбеливатель	Длительность цикла, мин.	Описание цикла стирки
			предвар. стирка	основ. стирка				
<b>Обычные программы</b>								
Очень сильно загрязненное белое белье (простыни, скатерти и т.п.)	1	90 °C	•	•	•		135	Предварительная стирка, стирка, полоскание, промежуточный и окончательный отжим
Очень сильно загрязненное белое белье (простыни, скатерти и т.п.)	2	90 °C		•	•	Деликатн./ Обычный	125	Стирка, полоскание, промежуточный и окончательный отжим
Сильно загрязненное белое и устойчивое цветное белье	2	60 °C		•	•	Деликатн./ Обычный	110	Стирка, полоскание, промежуточный и окончательный отжим
Сильно загрязненное белое и линяющее цветное белье	2	40 °C		•	•	Деликатн./ Обычный	105	Стирка, полоскание, промежуточный и окончательный отжим
Слабо загрязненное белое и линяющее цветное белье (простыни, скатерти и т.п.)	3	40 °C		•	•	Деликатн./ Обычный	70	Стирка, полоскание, промежуточный и окончательный отжим
Сильно загрязненное устойчивое цветное белье (детская одежда и пр.)	4	60 °C		•	•	Деликатный	75	Стирка, полоскание, остановка с водой или деликатный отжим
Сильно загрязненное устойчивое цветное белье (детская одежда и пр.)	4	40 °C		•	•	Деликатный	60	Стирка, полоскание, остановка с водой или деликатный отжим
Шерсть	5	40 °C		•	•		50	Стирка, полоскание, остановка с водой и деликатный отжим
Особо деликатные ткани и одежда (занавеси, шелк, вискоза и пр.)	6	30 °C		•	•		45	Стирка, полоскание, остановка с водой или слив
<b>4 программы для Вас</b>								
Сильно загрязненное и устойчивое цветное белье	7	60 °C		•	•		65	Стирка, полоскание, промежуточный и окончательный отжим
Слабо загрязненное белое и линяющее цветное белье (сорочки, майки и пр.)	8	40 °C		•	•		55	Стирка, полоскание, промежуточный и окончательный отжим
Слабо загрязненное линяющее цветное белье (любая одежда)	9	40 °C		•	•		45	Стирка, полоскание, деликатный отжим
Слабо загрязненное линяющее цветное белье (любая одежда)	10	30 °C		•	•		30	Стирка, полоскание, деликатный отжим
<b>Спорт</b>								
Спортивная обувь (макс. 2 пары.)	11	30 °C		•	•		50	Стирка в холодной воде (без моющего средства), стирка, полоскание и деликатный отжим
Спортивная одежда (спортивные костюмы, шорты и пр.)	12	30 °C		•	•		60	Стирка, полоскание, промежуточный и окончательный отжим
<b>МЕМО</b>		Позволяет ввести в память машины любую программу стирки(см. с. 17).						
<b>Частные программы</b>								
Полоскание					•	Деликатн./ Обычный		Полоскание и отжим
Отжим								Слив и отжим
Слив								Слив

### Примечание

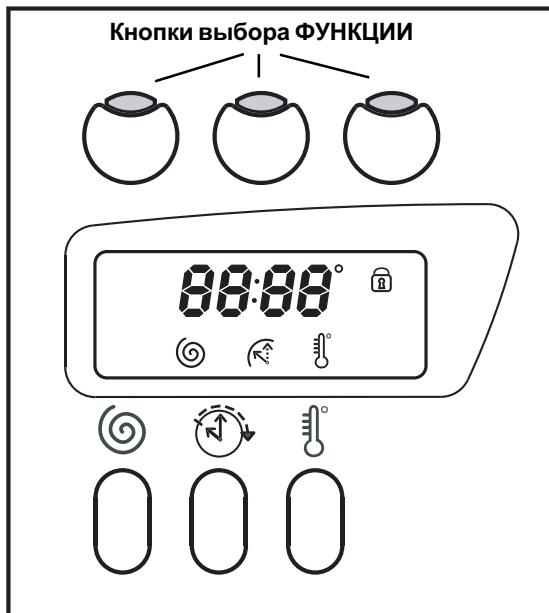
-Рекомендуется, чтобы для программ 7 - 8 загрузка белья не превышала 3,5 кг.

-Для программы 12 рекомендуется, чтобы вес загружаемого белья не превышал 2 кг.

-«Остановка с водой»: см. дополнительную функцию «Легкая глажка» на с. 7. Данные в таблице, являются справочными и могут меняться в зависимости от конкретных условий стирки (объем стирки, температура воды в водопроводной системе, температура в помещении и др.).

### Специальная программа

Повседневная стирка 30' мин (программа 10 для Синтетических тканей) предназначена для быстрой стирки слабо-загрязненного белья: цикл длится всего 30 минут, что позволяет сэкономить время и электроэнергию. Установив эту программу (10 при температуре 30°C), Вы можете стирать различные виды тканей вместе (за исключением шерсти и шелка) при максимальной загрузке белья 3 кг. Мы рекомендуем использовать жидкое моющее средство.



## Установка скорости отжима

Если, когда машина включена, **Программатор** установлена на программу, предусматривающую отжим, на дисплее устойчиво будет гореть символ . При нажатии кнопки на дисплее будет отображаться максимальная допустимая для выбранной программы скорость отжима и мигать символ . Нажимая снова на эту кнопку, можно снизить значение скорости отжима, вплоть до его исключения (OFF). Чтобы вернуться к максимальной скорости отжима, нажмите кнопку еще раз. Выберите нужное значение скорости отжима; примерно через 2 секунды установка будет принята машиной, символ останется устойчиво гореть. Регулировку скорости отжима можно выполнять для всех программ стирки, кроме программы 6 и Слив.

## Регулировка таймера отсрочки (Delay Timer)

При нажатии кнопки на дисплее появится надпись (OFF), и будет мигать соответствующий символ.

Снова нажмите на эту кнопку — на дисплее появится «1 ч» («1h»), то есть отсрочка запуска на один час, и так далее, вплоть до 24 часов. Выберите желаемое значение отсрочки. Примерно через 2 секунды установка будет принята машиной, дисплей покажет заданное время отсрочки, символ останется устойчиво гореть.

Если теперь вы нажмете кнопку ПУСК/СБРОС (START/RESET), дисплей будет показывать уменьшающееся значение времени отсрочки (с шагом в 1 час) вплоть до запуска программы. На этом этапе можно изменить значение отсрочки только в меньшую сторону. Регулировку таймера отсрочки можно выполнять со всеми программами.

## Выбор температуры

Если, когда машина включена, **Программатор** установлена на программу, для которой возможна регулировка температуры, на дисплее устойчиво будет гореть символ . При нажатии кнопки на дисплее будет отображаться максимально допустимая для выбранной программы температура и мигать символ . Нажимая снова на эту кнопку, можно снизить температуру, вплоть до ее отключения (OFF) — стирка в холодной воде. Чтобы вернуться к максимальной температуре, нажмите кнопку еще раз. Выберите нужное значение температуры; примерно через 2 секунды установка будет принята машиной, символ останется устойчиво гореть. Регулировку температуры можно выполнять для всех программ стирки.

## Функции

Различные функции стирки машины позволяют достичь желаемой чистоты и белизны вашего белья. Порядок выбора функций:

1. нажать кнопку нужной функции в соответствии с приведенной ниже таблицей;
2. включение соответствующей кнопки означает, что функция активирована.

Примечание: Частое мигание кнопки означает, что данная функция не может быть активирована для заданной программы.

Если будет выбрана функция, несовместимая с другой, ранее выбранной функцией, останется включенной только последняя выбранная функция.

Функции	Назначение	Использование	Доступна с программами:
<b>Удаление пятен</b>	Цикл отбеливания для удаления наиболее стойких загрязнений.	Налейте отбеливатель в дополнительную вставку 4 (см. с. 20). Опция не используется с функцией «ЛЕГКАЯ ГЛАЖКА».	2, 3, 4, Полоскание.
<b>Дополнительное полоскание</b>	Повышает эффективность полоскания.	Применение этой функции рекомендуется при полной загрузке машины или при использовании большого количества моющего средства.	1, 2, 3, 4, 7, 8, 9, 11, 12, Полоскание.
<b>Легкая глажка</b>	Уменьшение степени сминаемости тканей, облегчение последующего глажения.	При выборе этой функции программы 4, 5, 6 прерываются, оставляя белья замоченным в воде (остановка с водой) и соответствующая кнопка будет мигать. – Чтобы завершить цикл, нажмите кнопку ПУСК/СБРОС (Start/Resert) или ЛЕГКАЯ ГЛАЖКА – Чтобы закончить программу сливом установите рукоятку программатора на соответствующий символ  и нажмите кнопку ПУСК/СБРОС (Start/Resert). Данная опция не используется с функцией "Удаление пятен"	3, 4, 5, 6, 7, 8, 9, Полоскание.

CIS

Установка

Описание

Программы

Мощные средства

Меры безопасности

Обслуживание и уход

Неисправности

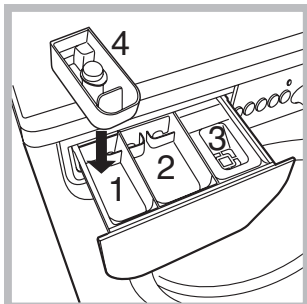
Сервис

# Моющие средства и белье

CIS

## Распределитель моющих средств

Хороший результат стирки зависит также от правильной дозировки моющего средства: его избыток не гарантирует более эффективную стирку, напротив может привести к образованию налетов внутри машины и загрязнению окружающей среды.



Выдвиньте распределитель и заполните его отделения моющим средством и смягчителем:

### Отделение 1: моющее средство для предварительной стирки (порошок)

Перед загрузкой стирального порошка убедитесь, что отделение 4 для отбеливателя в нем не установлено.

### Отделение 2: моющее средство для стирки (порошок или жидкое)

Жидкое средство для стирки заливается непосредственно перед запуском машины.

### Отделение 3: Добавки (смягчители, ароматизаторы и пр.)

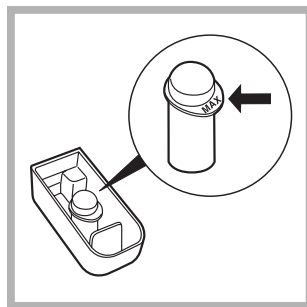
Не заполняйте отделение 3 для ополаскивателей выше решетки.

### Дополнительное отделение 4: Отбеливатель и деликатный отбеливатель


**!** Не используйте моющие средства, предназначенные для ручной стирки – образующаяся обильная пена ухудшает результат стирки и может вывести из строя стиральную машину.

## Отбеливание

**!** Обычный отбеливатель применяют при стирке прочных белых тканей; **деликатный** отбеливатель можно использовать для цветных, синтетических и шерстяных тканей.



Лоток 4 для отбеливателя вставляется в отделение 1 распределителя моющих средств. Не заполняйте лоток 4 выше отметки max (см. рис.).

Для осуществления **только отбеливания** налейте отбеливатель в дополнительную вставку 4 и выберите программу Полоскание .

Для отбеливания в процессе стирки добавьте стиральный порошок и смягчитель, выберите нужную программу и задействуйте функцию «Удаление пятен» (см. с. 19).

Использование дополнительной вставки 4 исключает возможность применения предварительной стирки. Кроме того, отбеливание не может быть проведено с программами 6 (Шелк) и Повседневная стирка 30 мин. (см. с. 18).

## Подготовка белья

- Разберите белье:
  - в соответствии с типом ткани / обозначения на этикетке
  - по цвету: отделите цветное белье от белого.
- Выньте из карманов все предметы и проверьте хорошо ли держатся пуговицы.
- Не превышайте максимальные нормы загрузки барабана, указанные для сухого белья:
  - Прочные ткани: макс. 5 кг
  - Синтетические ткани: макс. 2,5 кг
  - Деликатные ткани: макс. 2 кг
  - Шерсть: макс. 1 кг

## Вес белья

- 1 простыня 400 – 500 г
- 1 наволочка 150 -200 г
- 1 скатерть 400 – 500 г
- 1 халат 900 –1,200 г
- 1 полотенце 150 -250 г

## Особенности стирки отдельных изделий

**Занавески:** сверните и положите в наволочку или в сетчатый мешочек. Стирайте отдельно, не превышая половины загрузки барабана. Выберите программу 6, автоматически исключающую отжим.

**Стеганные куртки и пуховики:** если пуховик на утином или гусином пуху, его можно стирать в стиральной машине. Выверните куртку наизнанку, загрузите в барабан не более 2-3 кг изделий. Повторите полоскание 1-2 раза, используйте деликатный отжим.

**Шерсть:** Для достижения наилучших результатов стирки загружайте не более 1 кг белья и используйте специальные жидкие средства, предназначенные для стирки шерстяных изделий.

**!** Стиральная машина спроектирована и изготовлена в соответствии с международными нормами безопасности. Внимательно прочитайте настоящие предупреждения, составленные в целях вашей безопасности.

## Общие правила безопасности

- Для домашнего использования. Данное изделие является бытовым электроприбором, не предназначенным для профессионального использования. Запрещается модифицировать его функции.
- Стиральная машина должна использоваться только взрослыми лицами, соблюдающими инструкции, приведенные в данном руководстве.
- Не касайтесь работающей машины, если ваши руки или ноги сырые; не пользуйтесь оборудованием босиком.
- Не тяните за питающий кабель, чтобы вынуть вилку из розетки: беритесь за вилку.
- Не открывайте распределитель мощных средств во время работы машины.
- Не касайтесь сливаемой воды, ее температура может быть очень высокой.
- При остановке машины разблокировка замка дверцы срабатывает с трехминутной задержкой. Не пытайтесь открыть дверцу в этом промежуток времени (а тем более во время работы оборудования!): это может повредить механизм блокировки.
- В случае неисправности при любых обстоятельствах не касайтесь внутренних частей машины, пытайтесь починить ее.
- Следите, чтобы дети не приближались к работающей стиральной машине.
- В процессе стирки дверца стиральной машины может нагреваться.
- Если необходимо переместить стиральную машину, выполняйте эту операцию вдвоем или втроем с предельной осторожностью. Никогда не пытайтесь поднять машину в одиночку — оборудование чрезвычайно тяжелое.
- Перед помещением в стиральную машину белья убедитесь, чтобы барабан был пуст.

## Утилизация

- Уничтожение упаковочного материала: соблюдайте действующие требования по утилизации упаковочных материалов.

- Утилизация старой стиральной машины: перед сдачей машины в утиль обрежьте питающий кабель и снимите дверцу.

## Экономия энергии и охрана окружающей среды

### Экологичная технология

С новой технологией Indesit вы затратите воды в два раза меньше, а эффект от стирки будет в два раза выше! Вот почему вы не можете видеть воду через дверцу: ее очень мало. Это забота об окружающей среде без отказа от максимальной чистоты. И вдобавок ко всему, вы экономите электричество.

### Экономия мощных средств, воды, электроэнергии и времени

- Для экономии ресурсов следует максимально загружать стиральную машину. Один цикл стирки при полной загрузке вместо двух циклов с наполовину загруженным барабаном позволяет сэкономить до 50% электроэнергии.
- Цикл предварительной стирки необходим только для очень грязного белья. При цикле предварительной стирки расходуется больше стирального порошка, времени, воды и на 5 – 15% больше электроэнергии.
- Если вы обрабатываете пятна пятновыводителем или замочите белье перед стиркой, это поможет избежать стирки при высоких температурах. Использование программы стирки при 60°C вместо 90°C, или 40°C вместо 60°C позволяет сэкономить до 50% электроэнергии.
- Правильная дозировка стирального порошка в зависимости от жесткости воды, степени загрязнения и объема загружаемого белья помогает избежать нерационального расхода моющего средства и загрязнения окружающей среды: хотя стиральные порошки и являются биоразлагаемыми, они содержат вещества, отрицательно влияющие на экологию. Кроме того, по возможности избегайте использовать ополаскиватели.
- Использование стиральной машины утром или вечером уменьшит пиковую нагрузку на электросеть. С помощью функции «Таймер» (см. с. 19) можно запрограммировать начало стирки с вышеуказанной целью.
- Если белье должно сушиться в автоматической сушке, необходимо выбрать большую скорость отжима. Интенсивный отжим экономит время и электроэнергию при автоматической сушке.

CIS

Установка

Описание

Программы

Мощные средства

Меры безопасности

Обслуживание и уход

Неисправности

Сервис

# Обслуживание и уход

CIS

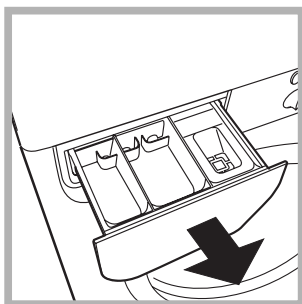
## Отключение воды и электричества

- Перекрывайте водопроводный кран после каждой стирки. Таким образом сокращается износ водопроводной системы стиральной машины и устраняется вероятность протечек.
- Всегда вынимайте вилку из розетки перед мойкой и обслуживанием машины.

## Уход за стиральной машиной

Внешние и резиновые части машины очищайте мягкой тканью с теплой мыльной водой. Не используйте растворители или абразивные чистящие средства.

## Уход за распределителем моющих средств



Периодически промывайте распределитель моющих средств. Выньте распределитель, приподняв и потянув его на себя (см. рис.), и промойте под струей воды.

## Уход за дверцей машины и барабаном

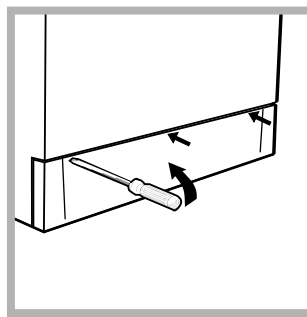
- После каждой стирки оставляйте дверцу машины полуоткрытой во избежание образования в барабане неприятных запахов и плесени.

## Чистка насоса

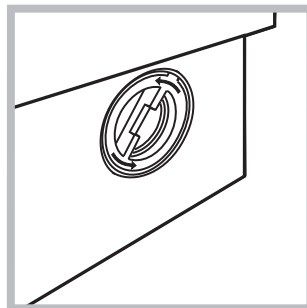
Стиральная машина имеет сливной насос самоочищающегося типа, который не требует очистки или особого обслуживания. Однако мелкие предметы (монеты, пуговицы и др.) могут случайно попасть в насос. Для их извлечения насос оборудован «уловителем» — фильтром, доступ к которому закрыт нижней передней панелью.

! Убедитесь, что цикл стирки закончился, и отключите оборудование от сети.

Для доступа к «уловителю»:



1. снимите переднюю панель стиральной машины при помощи отвертки (см. рис.);



2. выверните крышку фильтра, вращая ее против часовой стрелки (см. рис.): из насоса может вылиться немного воды – это нормальное явление.

3. тщательно прочистите фильтр изнутри;
4. заверните крышку обратно;
5. установите на место переднюю панель, предварительно убедившись, что крюки вошли в соответствующие петли.

## Проверка заливного шланга

Проверяйте шланг не реже одного раза в год. При любых признаках течи или повреждения немедленно замените шланг. Во время работы машины неисправный шланг, находящийся под давлением воды, может внезапно лопнуть.

! Никогда не используйте шланги, бывшие в употреблении.

# Неисправности и методы их устранения

В случае неудовлетворительных результатов стирки или возникновения неисправностей, прежде чем обратиться в Авторизованный Сервисный центр (см. с. 24), прочитайте этот раздел. В большинстве случаев Вы можете решить возникшие проблемы сами.

## Обнаруженная неисправность:

**Стиральная машина не включается.**

## Возможные причины / Методы устранения:

- Вилка не вставлена в розетку или вставлена плохо, не обеспечивая контакта.
- В доме отключено электричество.

**Цикл стирки не запускается.**

- Дверца машины плохо закрыта (на дисплее появляется сообщение DOOR (Дверца).
- Не была нажата кнопка (⏻).
- Не была нажата кнопка ПУСК/СБРОС (Start/Reset).
- Закрыт кран подачи воды.
- Была запрограммирована отсрочка запуска программы (об использовании таймера см. на с. 19).

**Стиральная машина не заливает воду (На дисплее появляется сообщение H<sub>2</sub>O).**

- Заливной шланг не подсоединен к крану.
- Шланг пережат.
- Закрыт кран подачи воды.
- В доме нет воды.
- Недостаточное водопроводное давление.
- Не была нажата кнопка ПУСК/СБРОС (Start/Reset).

**Стиральная машина непрерывно заливает и сливает воду.**

- Сливной шланг расположен ниже 65 или выше 100 см. от пола (см. с. 15).
  - Конец сливного шланга погружен в воду (см. с. 15).
  - Настенный слив не имеет сливной трубы.
- Если сливной шланг встроен в канализацию, имейте в виду, что на верхних этажах может создаваться «сифонный эффект» — машина одновременно сливает и заливает воду. Для предотвращения подобного эффекта устанавливается специальный клапан (антисифон).

**Стиральная машина не производит слив и отжим.**

- Выбранная программа не предусматривает слив воды — для некоторых программ необходимо включить слив вручную (см. с. 18).
- Активизирована дополнительная функция Легкая глажка: для завершения программы нажмите кнопку ПУСК/СБРОС (Start/Reset) (см. с. 19).
- Сливной шланг пережат (см. с. 15) или засорен.
- Засор в канализации.

**Сильная вибрация при отжиге.**

- При установке стиральной машины барабан был разблокирован неправильно (см. с. 14).
- Стиральная машина плохо выровнена (см. с. 14).
- Зазор между машиной и стеной/мебелью недостаточен (см. с. 14).

**Протечки воды из стиральной машины.**

- Плохо закреплен заливной шланг (гайка на конце шланга неплотно затянута и неправильно установлена прокладка (см. с. 14).
- Распределитель моющих средств забит остатками моющих средств (о чистке распределителя см. с. 22).
- Плохо закреплен сливной шланг (см. с. 15).

**Избыточное пенообразование.**

- Используется моющее средство, неподходящее для автоматических стиральных машин с фронтальной загрузкой.
- Передозировка моющего средства.

*Если после проверки машина продолжает работать не должным образом, обратитесь в **Авторизованный Сервисный центр** за помощью. (см. с. 24)*

CIS

Установка

Описание

Программы

Моющие средства

Меры безопасности

Обслуживание и уход

Неисправности

Сервис

# Сервисное обслуживание

---

CIS

## **Перед тем как обратиться в Авторизованный Сервисный центр:**

- Убедитесь, что вы не можете устранить неисправность самостоятельно (см. с. 23).
- Запустите программу повторно для проверки исправности машины.
- В противном случае обратитесь в Авторизованный Сервисный центр по телефону, указанному в гарантийном документе.

**!** *Не пользуйтесь услугами лиц, не уполномоченных Производителем.  
При ремонте требуйте использования оригинальных запасных частей.*

## **При обращении в Авторизованный Сервисный центр сообщите:**

- тип неисправности;
- номер гарантийного документа (сервисной книжки, сервисного сертификата и т.п.);
- модель машины (Мод.) и серийный номер (S/N), указанные в информационной табличке, расположенной на задней панели стиральной машины.

Сервис



SL

Slovenščina

WIE 107

SL

### Vsebina

#### Namestitev, 26-27

Odstranitev embalaže in izravnavanje, 26  
Priklučitev na vodovodno in električno napeljavo, 26-27  
Prvo pranje, 27  
Tehnični podatki, 27

#### Opis pralnega stroja, 28-29

Upravljalna plošča, 28  
Prikazovalnik, 29  
Program "MEMO", 29

#### Zagon in različni pralni programi, 30

Na kratko: kako zagnati program pranja, 30  
Tabela pralnih programov, 30

#### Posebne nastavitve, 31

Nastavitev centrifuge, 31  
Funkcija delay timer, 31  
Nastavitev temperature, 31  
Funkcije, 31

#### Pralna sredstva in perilo, 32

Predal za pralna sredstva, 32  
Pranje z belilom, 32  
Priprava perila, 32  
Posebne vrste perila, 32

#### Opozorila in nasveti, 33

Varnost, 33  
Ravnanje z odpadnim materialom, 33  
Varčevanje in skrb za okolje, 33

#### Vzdrževanje in čiščenje, 34

Odklop vodovodne in električne napeljave, 34  
Čiščenje pralnega stroja, 34  
Čiščenje predala za pralna sredstva, 34  
Vzdrževanje vratc in bobna, 34  
Čiščenje črpalke, 34  
Pregled cevi za dotok vode, 34

#### Motnje in njihovo odpravljanje, 35

#### Pomoč, 36

Preden pokličete pooblaščen servis, 36

# Namestitev

SL

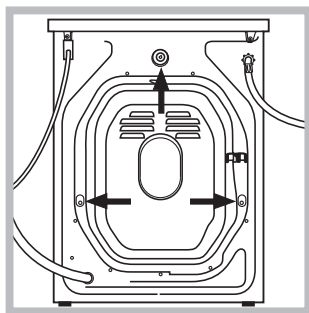
! Shranite to knjižico, da jo boste lahko po potrebi uporabili. Če boste pralni stroj prodali, ga nehali uporabljati ali premestili drugam, naj bo knjižica pri njem, tako da se bo novi lastnik lahko seznanil z delovanjem in ustreznimi opozorili.

! Pozorno preberite navodila. Našli boste pomembne informacije glede namestitve, uporabe in zagotavljanja varnosti.

## Odstranitev embalaže in izravnavanje

### Odstranitev embalaže

1. Odstranite embalažo
2. Preverite, da ni bil pralni stroj med prevozom poškodovan. Če je poškodovan, ga ne priključite, ampak obvestite prodajalca.



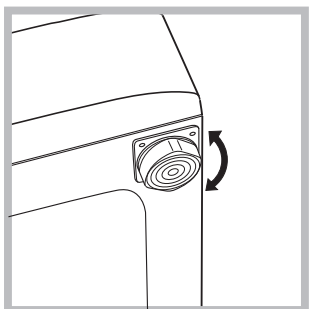
3. Odstranite vse 3 zaščitne vijake in gumico z distančnikom na zadnji strani (glej sliko).

4. S priloženimi plastičnimi čepi zaprite odprtine.
5. S priloženim vložkom zaprite tri odprtine na zadnji strani (spodaj desno), kjer se je nahajal vtikač.
6. Vse odstranjene dele shranite. Če bo pralni stroj potrebno prevažati, jih bo treba spet namestiti.

! Embalaža ni primerna kot igrača za otroke

### Izravnavanje

1. Pralni stroj namestite na ravna in trda tla. Naj se ne dotika sten, pohištva ipd.

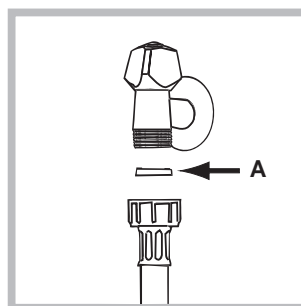


2. Če tla niso popolnoma vodoravna, z odvijanjem ali zavijanjem prednjih nožic uravnajte lego pralnega stroja (glej sliko). Nagib na delovni površini ne sme presegati 2°.

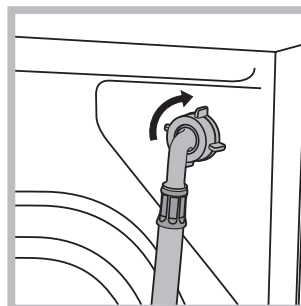
Natančno izravnanje poveča stabilnost pralnega stroja in preprečuje vibracije, hrup in premikanje med delovanjem. Če je na tleh tapison ali preproga, uravnajte nožice tako, da bo pod pralnim strojem ostalo nekaj prostora za prezračevanje.

## Priključitev na vodovodno in električno napeljavo

### Priključitev dotočne cevi za vodo



1. Vstavite tesnilo A na konec dotočne cevi; cev privijte na pipo za dotok hladne vode s 1" navojem (glej sliko). Predtem pustite teči vodo, dokler ne bo čista.



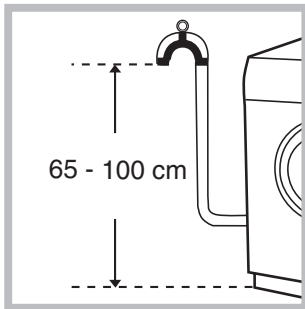
2. Dotočno cev privijte na ustrezen priključek na zadnji strani pralnega stroja zgoraj desno (glej sliko).

3. Pazite, da cev ne bo prepognjena ali stisnjena.

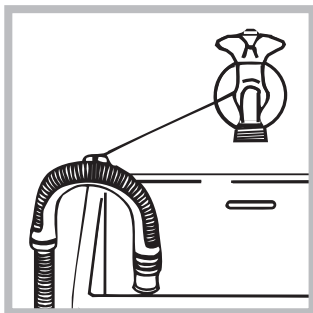
! Vodni tlak v pipi mora biti v mejah vrednosti, ki so zapisane v tabeli tehničnih podatkov (glej naslednjo stran).

! Če dotočna cev ni dovolj dolga, se obrnite na specializirano trgovino ali na pooblaščen servis.

## Namestitev odtočne cevi



Odtočno cev, ki ne sme biti prepognjena, priključite na odtočni sistem ali na odtok na zidu, ki sta v višini 65 - 100 cm od tal;



ali jo naslonite na rob umivalnika ali korita; s priloženim vodilom jo pritrdite na pipo (glej sliko). Prosti konec odtočne cevi ne sme biti potopljen v vodo.

! Odsvetujemo uporabo podaljška za odtočno cev. Če je to nujno, naj ima podaljšek isti premer in naj ne bo daljši od 150 cm.

## Priključitev na električno napeljavo

Preden pralni stroj priključite na električno napeljavo, se prepričajte, če:

- je električni priključek ozemljen in neoporečen;
- električni priključek zmore največjo obremenitev moči pralnega stroja, ki je zapisana v tabeli tehničnih podatkov (glej poleg);
- električna napetost v vtičnici ustreza vrednostim v tabeli tehničnih podatkov (glej poleg);
- vtičnica ustreza vtikaču pralnega stroja. V nasprotnem primeru je treba zamenjati vtičnico ali vtikač.

! Pralni stroj ne sme biti nameščen na prostem (čeprav je pod streho), saj ga je zelo nevarno izpostavljati dežju in nevihtam.

! Ko je pralni stroj nameščen, naj bo vtičnica lahko dosegljiva.

! Ne uporabljajte podaljškov in razdelivcev.

! Kabel naj ne bo prepognjen ali stisnjen.


! Električni kabel lahko zamenja le pooblaščen serviser.

Pozor! V primeru neupoštevanja teh navodil naše podjetje ne sprejema nobene odgovornosti.

## Prvo pranje

Po priključitvi in pred uporabo zaženite prvo pranje z detergentom in brez perila. Prvo pranje naravnajte na 90°C brez predpranja.

## Tehnični podatki

Model	WIE 107
Dimenzije	širina 59,5 cm višina 85 cm globina 52,5 cm
Zmogljivost	1 - 5 kg
Električna napeljava	napetost 220/230 V, 50 Hz maksimalna poraba moči 1850 W
Vodovodni priključek	največji dovoljeni tlak 1 MPa (10 b) najmanjši dovoljeni tlak 0,05 MPa (0,5 b) prostornina bobna 46 litrov
Hitrost centrifuge	do 1000 vrtljajev na minuto
Kontrolni program po standardu IEC456	program 2; temperatura 60°C; z obremenitvijo 5 kg.
	Pralni stroj je izdelan v skladu z veljavnimi mednarodnimi predpisi: - EEC 73/23 z dne 19.2.1973 (Nizka napetost) s kasnejšimi spremembami - EEC 89/336 z dne 3.5.1989 (Elektromagnetna kompatibilnost) s kasnejšimi spremembami

SL

Namestitev

Opis

Programi

Pralna sredstva

Opozorila

Vzdrževanje

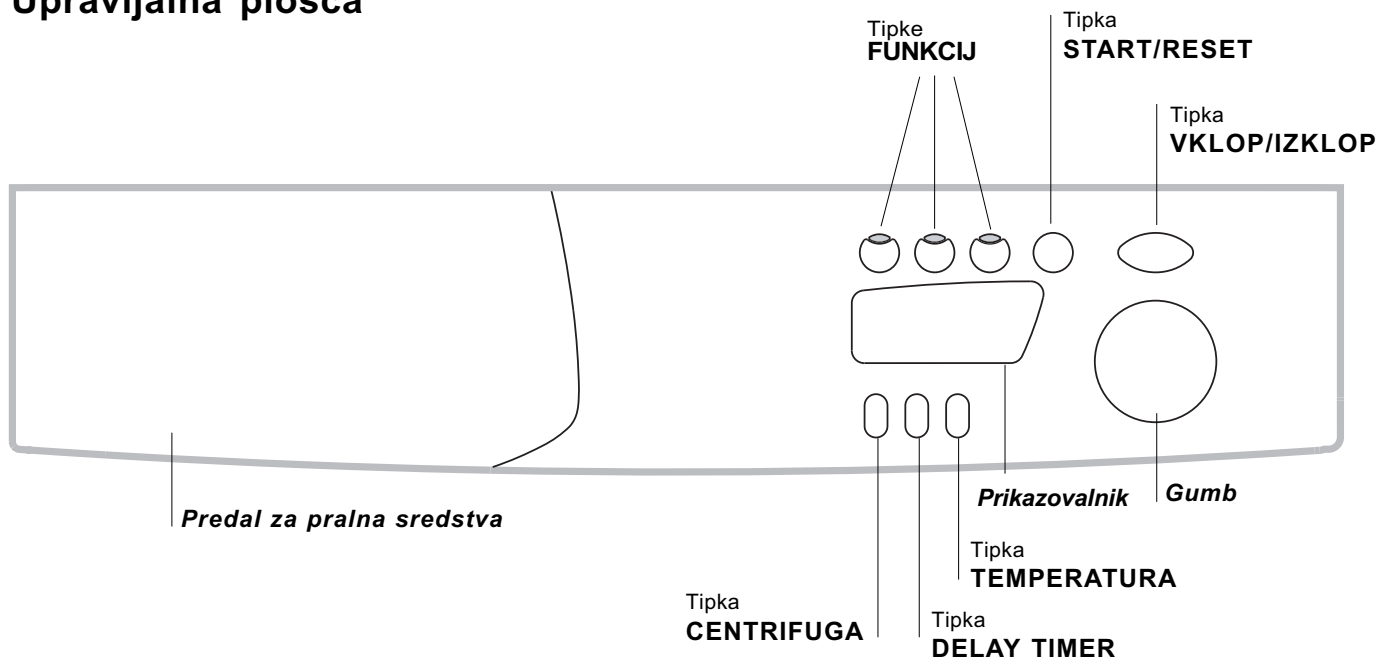
Motnje

Pomoč

# Opis pralnega stroja

SL

## Upravljalna plošča



**Predal za pralna sredstva** za odmerjanje detergentov in dodatkov (glej str. 32).

Tipka **CENTRIFUGA** za nastavitev hitrosti centrifuge ali njen izklop (glej str. 31).

S tipko **DELAY TIMER** lahko zakasnimo začetek pranja in sicer za največ 24 ur (glej str. 31).

Tipka **TEMPERATURA** za nastavitev temperature pranja (glej str. 31).

**Prikazovalnik** za nastavitev pralnega programa in spremljanje poteka pranja (glej naslednjo stran).

Tipke **FUNKCIJ**: za nastavitev razpoložljivih funkcij. Tipka za izbrano funkcijo bo ostala prižgana.

Tipka **START/RESET** za zagon programov ali izbris napačnih nastavitev.

Tipka **VKLOP/IZKLOP** za vklop in izklop pralnega stroja.

**Gumb** za izbiranje programov. Med potekom pranja se gumb ne premika.

## Prikazovalnik

Prikazovalnik služi za programiranje pranja (glej str. 31), poleg tega pa nas tudi sproti obvešča o poteku pranja.



Ko pritisnemo na tipko START/RESET za zagon pralnega programa, se na prikazovalniku pokaže čas, ki bo potreben do konca pranja. Če je nastavljena zakasnitev začetka pranja, bo to prikazano ("Delay Timer", glej str. 31)



### Vrata so blokirana:

Prižgani znak pomeni: vrata so blokirana, da jih ne bi pomotoma odprli. Preden odprete vrata, morate počakati, da znak ugasne, sicer lahko pride do poškodb.

Na koncu pranja se pokaže napis END.

! Če pride do nepravilnosti, se pokaže koda napake, na primer F-01. Kodo napake sporočimo na pooblaščen servis (glej str. 36).

### Program "MEMO"

S to funkcijo lahko shranimo v spomin pralni program, ki ga najraje ali najpogosteje uporabljamo. Nastavimo željeni program, ga zaženemo in nato zavrtimo GUMB na položaj . Pralni program se bo samodejno shranil v spomin in na prikazovalniku se bo za nekaj trenutkov pokazal utripajoči napis "MEMO". Kasneje lahko ta v spomin shranjeni program "MEMO" zaženemo preprosto tako, da GUMB zavrtimo na položaj ; s pritiskom na ustrezne tipke boste lahko preverili nastavljene vrednosti temperature, centrifuge in zakasnitve začetka pranja; te vrednosti boste lahko tudi spremenili, pri tem pa bodo spremembe veljale le za tekoči pralni program in ne bodo shranjene v spomin (v program "MEMO"). Če želite v spomin shraniti drug pralni program, ponovite zgoraj opisani potek.

SL

Namestitev

Opis

Programi

Pralna sredstva

Opozorila

Vzdrževanje

Motnje

Pomoč

# Zagon in različni pralni programi





SL

## Na kratko: kako zagnati program pranja

1. Prižgite pralni stroj s pritiskom na tipko (⏻).
2. Perilo dajte v pralni stroj in zaprite vratca.
3. Z gumbom nastavite željeni program. Na prikazovalniku se bo pokazal predvideni čas pranja. Temperatura in hitrost centrifuge se samodejno naravnata glede na izbrani program (za spremembo nastavitve *glej str. 31*).

4. Izberite funkcije po želji (*glej str. 31*).
5. Vstavite detergent in dodatke (*glej str. 32*).
6. Poženite program s pritiskom na tipko START/RESET.  
Za preklic držite tipko START/RESET najmanj 2 sekundi.
7. Ob zaključku programa se pokaže napis END. Perilo vzemite ven, vratca pa pustite priprta, da se boben osuši.
8. Ugasnite pralni stroj s pritiskom na tipko (⏻).

## Tabela pralnih programov

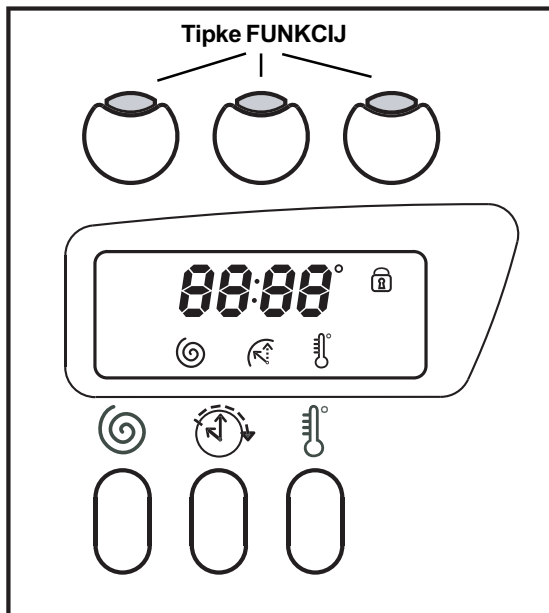
Lastnosti tkanine in stopnja umazanosti	Program	Temperatura	Detergent		Mehčalec	Uporaba belila	Trajanje programa (v minutah)	Potek programa
			predpranje	pranje				
<b>Standardno perilo</b>								
Belo perilo, zelo močno umazano (rjuhe, prti ipd.)	1	90°C	•	•	•		135	Predpranje, pranje, izpiranje, vmesno in končno ožemanje
Belo perilo, zelo močno umazano (rjuhe, prti ipd.)	2	90°C		•	•	nežno / navadno	125	Pranje, izpiranje, vmesno in končno ožemanje
Belo perilo in vzdržljivo barvno perilo, močno umazano	2	60°C		•	•	nežno / navadno	110	Pranje, izpiranje, vmesno in končno ožemanje
Belo in občutljivo barvno perilo, močno umazano	2	40°C		•	•	nežno / navadno	105	Pranje, izpiranje, vmesno in končno ožemanje
Malo umazano belo perilo in občutljivo barvno perilo (srajce, majice ipd.)	3	40°C		•	•	nežno / navadno	70	Pranje, izpiranje, vmesno in končno ožemanje
Vzdržljivo barvno perilo, močno umazano (oblačila za dojenčke ipd.)	4	60°C		•	•	nežno	75	Pranje, izpiranje, mehčanje ali blago ožemanje
Vzdržljivo barvno perilo, močno umazano (oblačila za dojenčke ipd.)	4	40°C		•	•	nežno	60	Pranje, izpiranje, mehčanje ali blago ožemanje
Volna	5	40°C		•	•		50	Pranje, izpiranje, mehčanje in blago ožemanje
Zelo občutljive tkanine (zavese, svila, viskoza ipd.)	6	30°C		•	•		45	Pranje, izpiranje, mehčanje ali izpraznitev
<b>Time 4 you</b>								
Belo perilo in vzdržljivo barvno perilo, močno umazano	7	60°C		•	•		65	Pranje, izpiranje, vmesno in končno ožemanje
Malo umazano belo perilo in občutljivo barvno perilo (srajce, majice ipd.)	8	40°C		•	•		55	Pranje, izpiranje, vmesno in končno ožemanje
Občutljivo barvno perilo (malo umazano perilo vseh vrst)	9	40°C		•	•		45	Pranje, izpiranje in blago ožemanje
Občutljivo barvno perilo (malo umazano perilo vseh vrst)	10	30°C		•	•		30	Pranje, izpiranje in blago ožemanje
<b>Športna oblačila</b>								
Športne copate (maksimalno 2 para.)	11	30°C		•	•		50	Pranje brez detergenta, pranje, izpiranje in blago ožemanje
Tkanine športnih oblačil (trenirke, nogavice ipd.)	12	30°C		•	•		60	Pranje, izpiranje, vmesno in končno ožemanje
<b>MEMO</b>		Omogoča shranitev v spomin kateregakoli pralnega programa ( <i>glej str. 29</i> ).						
<b>DELNI PROGRAMI</b>								
Izpiranje					•	nežno / navadno		Izpiranje in ožemanje
Ožemanje								Izpraznitev in ožemanje
Izpraznitev								Izpraznitev

## Opombi

- Pri programih 7 - 8 je priporočljiva manjša količina perila: ne več kot 3,5 kg.
- Pri programu 12 je priporočljivo, da perilo v pralnem stroju ne presega 2 kg.
- Podatki v tej tabeli so zgolj informativni. Za opis postopka proti mečkanju *glej tabelo na naslednji strani*.

## Posebni program

**Polurni program** (program 10 za sintetiko) je posebej prilagojen za pranje manj umazanega perila v čim krajšem času: traja samo 30 minut in tako prihrani energijo in čas. S tem programom (program 10 pri 30°C) je mogoče prati skupaj različne tkanine (razen volne in svile), ki skupaj ne smejo tehtati več kot 3 kg. *Pri tem programu priporočamo uporabo tekočega detergenta.*



## Nastavitev centrifuge

Če je ob vključitvi pralnega stroja GUMB naravnano na program, ki omogoča nastavitev hitrosti centrifuge, znak (☉) miruje (ne utripa). Ob pritisku na tipko (☉) se pokaže maksimalna hitrost centrifuge, ki jo nastavljeni program omogoča; znak (☉) pri tem utripa. Z nadaljnjim pritiskanjem se hitrost centrifuge znižuje vse do napisa OFF, ki označuje izklop centrifuge (ob ponovnem pritisku se spet pokaže maksimalna vrednost). Ustavite se pri željeni hitrosti; po približno dveh sekundah bo izbira sprejeta: znak (☉) bo obmiroval. Hitrost centrifuge je mogoče uravnati pri vseh programih, razen pri programih 6 in "izčrpanje vode".

## Funkcija delay timer

Ob pritisku na tipko (⌚) se bo na prikazovalniku pokazal napis OFF, ustrezní znak pa bo utripal.

Ob ponovnem pritisku se na prikazovalniku pokaže napis "1h", to je zakasnitev za eno uro, in tako naprej vse do 24h. Ustavite se pri željeni "zakasnitvi"; po približno dveh sekundah bo izbira sprejeta: na prikazovalniku se bo pokazala čas zakasnitve pralnega programa in znak (⌚) bo obmiroval.

Ob pritisku na tipko START/RESET se bo sedaj pokazal čas

"zakasnitve", ki se bo zmanjševal vsako uro vse do zagona pranja. V tej fazi je "zakasnitev" mogoče spremeniti le v smer manjše zakasnitve. Funkcijo Delay Timer je mogoče uporabiti za vse pralne programe.

## Nastavitev temperature

Če je ob vključitvi pralnega stroja GUMB naravnano na program, ki omogoča nastavitev temperature, znak (🌡️) miruje (ne utripa). Ob pritisku na tipko (🌡️) se pokaže maksimalna temperatura, ki jo nastavljeni program omogoča; znak (🌡️) pri tem utripa. Z nadaljnjim pritiskanjem se temperatura znižuje vse do napisa OFF, ki označuje pranje s hladno vodo (ob ponovnem pritisku se spet pokaže maksimalna temperatura). Ustavite se pri željeni temperaturi; po približno dveh sekundah bo izbira sprejeta: znak (🌡️) bo obmiroval. Temperaturo je mogoče uravnati pri vseh pralnih programih.

## Funkcije

Pralni stroj omogoča različne funkcije za doseganje takšne stopnje čistosti, kakršno želite. Za izbiro posameznih funkcij:

1. pritisnite tipko za ustrezno funkcijo (glej spodnjo tabelo);
2. prižgana tipka pomeni, da je funkcija aktivirana.

Pozor: Hitro utripanje tipke označuje, da funkcija ni združljiva z izbranim programom.

Če boste izbrali dve med seboj nezdružljivi funkciji, bo aktivirana samo tista, ki ste jo izbrali nazadnje.

Funkcije	Učinek	Opombe za uporabo	Na razpolago:
<b>Belilo</b>	Postopek pranja z belilom za odstranitev trdovratnih madežev.	Ne pozabite dati belila v dodatno posodico 4 (glej str. 32). Ni združljivo s funkcijo <b>Postopek proti mehčanju</b> .	pri programih 2, 3, 4, "izpiranje"
<b>Dodatno izpiranje</b>	Poveča učinek izpiranja.	Priporočljivo pri maksimalni obremenitvi (5 kg) pralnega stroja ali pri večjih odmerkih detergenta.	pri programih 1, 2, 3, 4, 7, 8, 9, 11, 12, "izpiranje"
<b>Postopek proti mehčanju</b>	Ublaži mehčanje tkanin in tako olajša likanje.	Ob nastavitvi te funkcije se programi 4, 5, 6 prekinejo v fazi mehčanja perila (postopek proti mehčanju); pri tem ustrezní znak utripa. - za dokončanje pranja pritisnite na tipko START/RESET ali na funkcijo <b>Postopek proti mehčanju</b> .; - če želite tu končati program, naravnajte gumb na znak (⏏) in pritisnite na tipko START/RESET. Ni združljivo s funkcijo <b>Belilo</b> .	pri programih 3, 4, 5, 6, 7, 8, 9, "izpiranje"

SL

Namestitev

Opis

Programi

Pralna sredstva

Opozorila

Vzdrževanje

Motnje

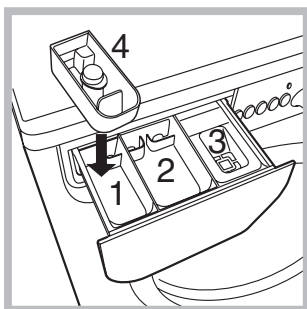
Pomoč

# Pralna sredstva in perilo

SL

## Predal za pralna sredstva

Dobri učinki pranja so odvisni tudi od pravilnega odmerjanja pralnih sredstev. Če z njimi pretiravamo, perilo ni nič bolje oprano, povečamo pa verjetnost nastajanja usedlin v pralnem stroju in onesnaževanje okolja.



Odprite predal za pralna sredstva in v posamezne prekate dajte detergent oziroma dodatke po naslednjih navodilih:

### Prekat 1: detergent za predpranje (v prahu)

Preden odmerite ustrezno količino detergenta, se prepričajte, da v prekat ni vstavljena dodatna posodica 4.

### Prekat 2: detergent za pranje (v prahu ali tekočini)

Tekoči detergent smemo vliati v prekat le neposredno pred pranjem.

### Prekat 3: dodatki (mehčalec idr.)

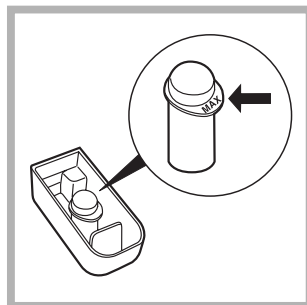
Mehčalec naj se ne izliva preko rešetke prekata.

### Dodatna posodica 4: belilo


! Ne uporabljajte detergentov za ročno pranje, ker se preveč penijo.

## Pranje z belilom

! **Navadno** belilo uporabljamo za bele in vzdržljive tkanine, **nežno** belilo pa za barvne, sintetične in volnene tkanine.



Priloženo dodatno posodico 4 vstavite v prekat 1. Belilo naj ne presega oznake "max" na stebričku (glej sliko).

Če želite opraviti zgolj pranje z belilom, dajte belilo v dodatno posodico 4 in naravnajte program "izpiranje" . Če želite uporabiti belilo kot dodatek med siceršnjim potekom pranja, dajte detergent in dodatke v ustrezne prekate, izberite željeni program in vključite možnost "belilo" (glej str. 31).

Uporaba dodatne posodice 4 ni združljiva s predpranjem. Poleg tega pranja z belilom ne morete uporabiti pri programu 6 (svila) in pri "polurnem programu" (glej str. 30).

## Priprava perila

- Perilo razvrstite po:
  - vrsti tkanine / znaku na etiketi.
  - barvi: ločite barvno perilo od belega perila.
- Izpraznite žepe in preglejte gumbe.
- Ne obremenite pralnega stroja preko navedene teže suhega perila:
  - Vzdržljive tkanine: največ 5 kg
  - Sintetične tkanine: največ 2,5 kg
  - Občutljive tkanine: največ 2 kg
  - Volna: največ 1 kg

### Koliko tehta perilo?

- 1 rjuha 400-500 gr.
- 1 prevleka za blazino 150-200 gr.
- 1 prt 400-500 gr.
- 1 kopalni plašč 900-1.200 gr.
- 1 brisača 150-250 gr.

## Posebne vrste perila

**Zavese:** Namestite jih v prevleko ali mrežasto vrečo. Perite jih posebej, njihova teža pa naj ne presega polovične obremenitve. Uporabite program 6, ki samodejno izključi ožemanje.

**Pernice in bunde s puhom:** Če je polnilo iz gosjega ali račjega perja, je možno pranje v pralnem stroju. Oblečila obrnite. Perila naj ne bo več kot 2-3 kg. Ponovno izpiranje vključite še enkrat ali dvakrat in uporabite nežno ožemanje.

**Volna:** Za boljši učinek uporabite poseben detergent za volno. Perila naj ne bo več kot 1 kg.



! Ta pralni stroj je izdelan po mednarodnih varnostnih predpisih. Pozorno preberite naslednja opozorila, ki so zapisana zaradi večje varnosti.

## Varnost

- Ta naprava je bila zasnovana za uporabo v gospodinjstvu in ne za profesionalno uporabo. Zaradi tega ne smete spreminjati funkcij naprave.
- Pralni stroj smejo uporabljati le odrasle osebe po navodilih v tej knjižici.
- Ne dotikajte se pralnega stroja, če ste bosi. Prav tako se ga ne dotikajte, če imate roke ali noge mokre ali vlažne.
- Pri odklapanju od električnega omrežja v vtičnici ne vlecite za kabel, ampak primite za vtikač.
- Med pranjem ne odpirajte predala za pralna sredstva.
- Ne dotikajte se odvodne vode, ki je lahko zelo vroča.
- V nobenem primeru vratca ne odpirajte na silo. Poškodujete lahko varnostni mehanizem, ki preprečuje, da bi se vratca po nesreči odprla.
- Če pride do okvare, se ne spuščajte v popravila notranjih mehanizmov na svojo roko.
- Vedno pazite, da se otroci ne približajo delujočemu pralnemu stroju.
- Med pranjem vratca lahko postanejo vroča.
- Če morate pralni stroj prestaviti, bodite vsaj dva ali trije. Nikoli ga ne prestavljajte sami, ker je zelo težak.
- Preden vstavite perilo, preverite, ali je boben prazen.

## Ravnanje z odpadnim materialom

- Embalaža:  
Upoštevajte lokalne predpise in priporočila o ravnanju z odpadki, tako da bodo deli embalaže lahko predelani.

- Star pralni stroj:  
Pred odvozom na odpad preprečite morebitno neodgovorno uporabo tako, da prerežete električni kabel in odstranite vratca.

## Varčevanje in skrb za okolje

### Okolju prijazna tehnologija

Skozi vratca boste videli le malo vode. Razlog je v novi tehnologiji znamke Indesit, pri kateri zadošča manj kot polovica običajne uporabe vode za najboljšo čistočo. Namen te tehnologije je varovanje okolja.

### Prihranek pri pralnih sredstvih, vodi, energiji in času

- Za varčevanje z viri je priporočljiva polna obremenitev s perilom. Ena polna obremenitev namesto dvakratne polovične pomeni 50 odstotni prihranek energije.
- Predpranje je potrebno le za zelo umazano perilo. Če se odpovemo predpranju, to pomeni prihranek detergenta, časa, vode in energije (5-15%).
- Odstranjevanje madežev: Če uporabimo poseben odstranjevalec madežev ali perilo pred pranjem namakamo, lahko peremo na nižji temperaturi. Pranje pri 60°C namesto pri 90°C (ali pri 40°C namesto pri 60°C) prihrani do 50% energije.
- Z ustreznim odmerjanjem pralnih sredstev glede na trdoto vode, stopnjo umazanosti in količino perila se izognete potratu in varujete okolje. Tudi biorazgradljivi detergenti vsebujejo snovi, ki spreminjajo naravno ravnovesje. Kolikor je mogoče, se izogibajte uporabi mehčalca.
- Varčujete lahko tudi s pranjem v časovnem obdobju, ko je električni tok cenejši. Možnost "Delay Timer" (glej str. 31) vam lahko pri tem zelo pomaga.
- Če uporabljate električni sušilnik za perilo, naravnajte visoko hitrost centrifuge. Tako boste pri sušenju prihranili čas in energijo.

SL

Namestitev

Opis

Programi

Pralna sredstva

Opozorila

Vzdrževanje

Motnje

Pomoč

# Vzdrževanje in čiščenje

SL

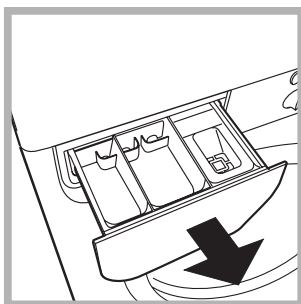
## Odklop vodovodne in električne napeljave

- Po vsakem pranju zaprite pipo za dotok vode. Tako zmanjšate izrabo vodovodnega sistema v pralnem stroju in preprečite, da bi voda odtekala.
- Med čiščenjem in vzdrževalnimi deli na pralnem stroju potegnite kabel iz vtičnice.

## Čiščenje pralnega stroja

Zunanost in dele iz gume čistite z krpo, namočeno v mlačno milnico. Ne uporabljajte topilnih in abrazivnih čistilnih sredstev.

## Čiščenje predala za pralna sredstva



Predal izvlečete tako, da ga privzdignete in potegnete navzven (glej sliko). Operite ga pod tekočo vodo. To čiščenje je treba pogosto opravljati.

## Vzdrževanje vratc in bobna

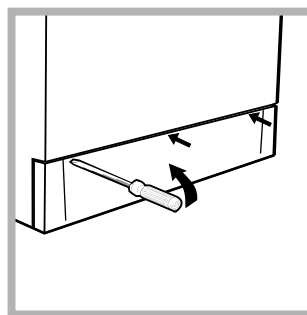
- Vratca pustite vedno odprta, da preprečite nastajanje neprijetnih vonjav.

## Čiščenje črpalke

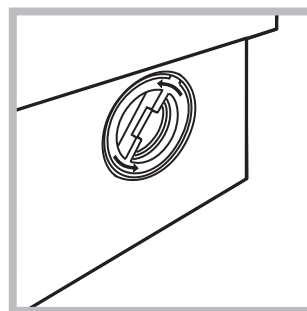
V pralnem stroju je črpalka, ki se čisti sama in ne potrebuje rednega vzdrževanja. Vendar se lahko zgodi, da majhni predmeti (kovanci, gumbi) padejo v predprostor, ki stoji nad črpalko in jo ščiti.

! Prepričajte se, da je pranje končano. Kabel potegnite iz vtičnice.

Dostop do predprostora:



1. S pomočjo izvijača odstranite ploščo na prednji strani pralnega stroja (glej sliko);



2. Odvijte pokrovček v smer, nasprotno urinemu kazalcu (glej sliko). Normalno je, da pri tem izteče malo vode;

3. Skrbno očistite notranjost;
4. Pokrovček zavijte nazaj;
5. Ploščo namestite nazaj. Preden jo potisnete, se prepričajte, da so kljukice nameščene v ustrezne reže.

## Pregled cevi za dotok vode

Cev za dotok vode preglejte vsaj enkrat letno. Če je v cevi videti razpoke, jo je potrebno zamenjati. Lahko bi se zgodilo, da bi močni pritiski med pranjem povzročili nenadno razpoko.

! Ne uporabljajte rabljenih cevi.

# Motnje in njihovo odpravljanje

Lahko se zgodi, da pralni stroj ne deluje. Preden se obrnete na servis (*glej str. 36*), preverite s pomočjo naslednjega seznama, če gre za katero od naštetih lahko odpravljevih motenj.

## Motnje:

**Pralni stroj se ne vključi.**

## Možni vzroki / rešitve:

- Vtikač ni vstavljen v vtičnico električne napeljave oziroma je slabo vstavljen, tako da ni stika.
- V napeljavi ni električnega toka.

**Postopek pranja se ne prične.**

- Vrata niso dobro zaprta (na prikazovalniku se pokaže napis DOOR).
- Niste pritisnili na tipko (ⓘ).
- Niste pritisnili na tipko START/RESET.
- Dotok vode je zaprt.
- Nastavljena je zakasnitev začetka pranja ("Delay Timer", *glej str. 31*).

**Pralni stroj se ne polni z vodo (Na prikazovalniku se pokaže napis H<sub>2</sub>O).**

- Cev za dotok vode ni povezana z vodovodom.
- Cev je prepognjena.
- Dotok vode je zaprt.
- V vodovodni napeljavi ni vode.
- Tlak v vodovodu je prenizek.
- Niste pritisnili na tipko START/RESET.

**Voda neprestano priteka v pralni stroj in odteka iz njega.**

- Odtočna cev ni nameščena na ustrezni višini 65 – 100 cm od tal (*glej str. 27*).
- Konec odtočne cevi je potopljen v vodo (*glej str. 27*).
- Odtok v zidu nima preduha.

Če s pomočjo teh navodil ni bilo mogoče odpraviti motnje, zaprite dotok vode, izklopite pralni stroj in pokličite servis. Če je vaše stanovanje na vrhu stavbe, je mogoče, da prihaja do težav v odtočni vodovodni napeljavi. V tem primeru vam lahko pomagajo posebni ventili, ki se dobijo v tehničnih trgovinah.

**Voda ne odteče ali ožemanje ne deluje.**

- Pri izbranem programu voda ostane v bobnu. Pri nekaterih programih je izčrpanje vode treba vključiti posebej (*glej str. 30*).
- Izbrali ste možnost "postopek proti mečkanju": za dokončanje programa pritisnite na tipko START/RESET (*glej str. 31*).
- Odtočna cev je prepognjena (*glej str. 27*).
- Odtok je zamašen.

**Med ožemanjem se pralni stroj močno trese.**

- Ob namestitvi pralnega stroja boben ni bil pravilno odblokiran (*glej str. 26*).
- Pralni stroj ne stoji vodoravno (*glej str. 26*).
- Pralni stroj se dotika pohištva ali zidu. (*glej str. 26*).

**Pralni stroj pušča vodo.**

- Cev za dotok vode ni dobro pritrjena (*glej str. 26*).
- Predal za pralna sredstva je zamašen (za čiščenje *glej str. 34*).
- Odtočna cev ni dobro pritrjena (*glej str. 27*).

**Med pranjem nastaja preveč pene.**

- Uporabljeni detergent ni primeren za pranje v pralnem stroju.
- Odmerili ste preveliko količino detergenta.

SL

Namestitev

Opis

Programi

Pralna sredstva

Opozorila

Vzdrževanje

Motnje

Pomoč

**Preden pokličete pooblaščen servis:**

- Poglejte, če lahko motnjo odpravite sami (*glej str. 35*);
- Ponovno poženite program, da preverite, ali je bila motnja odpravljena;
- V nasprotnem primeru pokličite pooblaščen servis na telefonsko številko, ki je zapisana na garancijskem listu.

! Ne poslužujte se nepooblaščenih servisov.

**Sporočite:**

- za kakšno motnjo gre;
- model pralnega stroja (Mod.);
- serijsko številko (S/N).

Zadnja dva podatka sta zapisana na tablici na zadnji strani pralnega stroja.

HR

Hrvatski

WIE 107

HR

### Pregled

#### Postavljanje, 38-39

Raspakiravanje i izravnavanje, 38  
Hidraulični i električni priključci, 38-39  
Prvi ciklus pranja, 39  
Tehnički podaci, 39

#### Opis perilice rublja, 40-41

Kontrolna ploča, 40  
Display, 41  
Program "MEMO", 41

#### Pokretanje i programi, 42

Ukratko: pokrenuti program, 42  
Tablica programa, 42

#### Osobni izbor, 43

Podešavanje centrifugiranja, 43  
Podešavanje delay timera, 43  
Podešavanje temperature, 43  
Funkcije, 43

#### Deterdžent i rublje, 44

Pretinac za deterdžent, 44  
Ciklus bijeljenja, 44  
Pripremanje rublja, 44  
Posebno rublje, 44

#### Mjere predostrožnosti i savjeti, 45

Opća sigurnost, 45  
Uklanjanje, 45  
Ušteda i poštivanje okoline, 45

#### Održavanje i očuvanje, 46

Zatvaranje vode i isključivanje električne struje, 46  
Čišćenje perilice, 46  
Čišćenje pretinca za deterdžent, 46  
Očuvanje vrata i bubnja, 46  
Čišćenje crpke, 46  
Provjera cijevi za dovod vode, 46

#### Nepravilnosti i rješenja, 47

#### Servisna služba, 48

Prije pozivanja Servisne službe, 48

# Postavljanje

HR

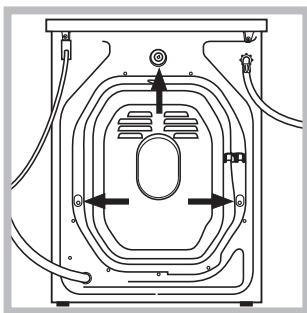
! Važno je sačuvati ove upute kako bi ste ih mogli proučiti u svakom trenutku. U slučaju prodaje, ustupanja ili seljenja, provjeriti da se nalaze zajedno s perilicom kako bi se novog vlasnika obavijestilo o funkcioniranju stroja i o upozorenjima koja se na njega odnose.

! Pozorno pročitajte upute: one sadrže važne obavijesti o postavljanju, uporabi i sigurnosti.

## Raspakiranje i izravnavanje

### Raspakiranje

1. Raspakirajte perilicu.
2. Provjerite da perilica nije oštećena u prijevozu. Ako je oštećena, nemojte je priključivati i obratite se prodavaču.



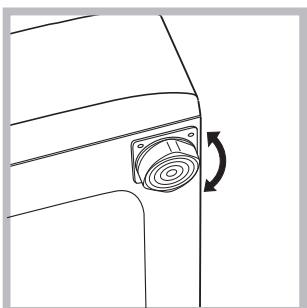
3. Otklonite 3 vijka za zaštitu u prijevozu i gumicu s odstožnikom na stražnjoj strani (vidi sliku).

4. Zatvorite otvore dostavljenim plastičnim čepovima.
5. Dostavljenim čepom zatvorite tri otvora u kojima se nalazio utikač, na stražnjoj strani dole desno.
6. Sačuvajte sve dijelove: ako je potrebno prevoziti perilicu, treba ih ponovno namjestiti.

! Pakiranje nije igračka za djecu.

### Izravnavanje

1. Postavite perilicu na čvrst i ravan pod i ne naslanjajte je na zidove, namještaj ili drugo.

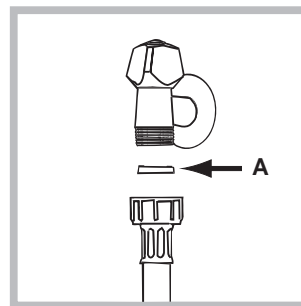


2. Ako pod nije potpuno vodoravan, nadoknadite razliku u visini odvijanjem ili navijanjem prednjih nožica (vidi sliku); kut nagiba izmjeren na gornjoj površini ne smije prelaziti 2°.

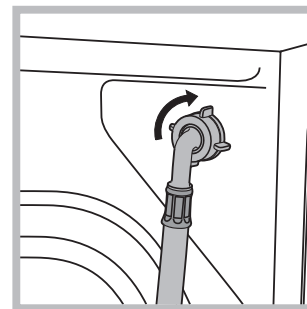
Pomno izravnavanje daje stroju stabilnost i sprječava vibracije, buku i pomicanja tijekom rada. U slučaju da perilicu postavljate na tepison ili sag, podesite nožice tako da ispod perlice ostane dovoljno prostora za protjecanje zraka.

## Hidraulični i električni priključci

### Spajanje cijevi za dovod vode



1. Umetnite zaptivač A na završetak dovodne cijevi i spojite na slavinu s hladnom vodom 3/4 narezanog otvora, kao plinski priključak (vidi sliku). Prije spajanja pustite vodu da teče dok ne bude bistra.



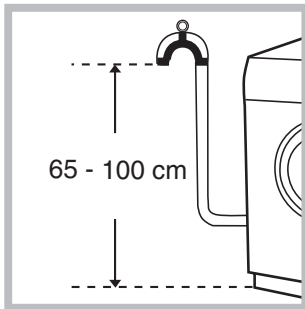
2. Spojite dovodnu cijev na perilicu navijanjem na odgovarajući otvor za uzimanje vode na stražnjoj strani gore desno (vidi sliku).

3. Pazite da na cijevi nema pregiba ni suženja.

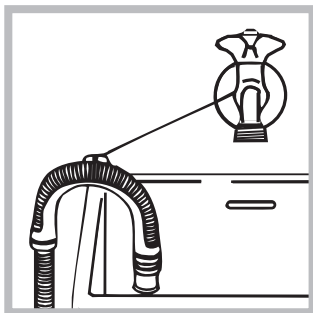
! Pritisak vode u slavini mora se nalaziti među vrijednostima navedenim u tablici Tehnički podaci (vidi slijedeću stranicu).

! Ako dužina dovodne cijevi nije dostatna, obratiti se specijaliziranoj prodavaonici ili ovlaštenom tehničaru.

## Spajanje cijevi za odvod vode



Spojite odvodnu cijev ne savijajući je, na kanalizaciju ili na odvod u zidu, na visini od 65-100 cm od poda;



ili je naslonite na rub umivaonika ili kade, vezujući dostavljeni vodič za slavinu (vidi sliku). Slobodni završetak odvodne cijevi ne smije ostati uronjen u vodu.

! Ne preporučuje se uporaba produžne cijevi, no ako je neophodna, mora imati isti promjer kao i originalna cijev i ne smije biti duža od 150 cm.

## Električni priključak

Prije umetanja utikača u utičnicu, provjerite da:

- utičnica ima uzemljenje i da je u skladu sa zakonskim propisima;
- utičnica može podnijeti najveću snagu stroja naznačenu u Tehničkim podacima (vidi tablicu);
- se napon struje nalazi među vrijednostima navedenim u tablici Tehnički podaci (vidi tablicu);
- utičnica odgovara utikaču perilice. U protivnom, zamijenite utičnicu ili utikač.

! Perilicu se ne smije instalirati na otvorenom pa ni ako se radi o zaštićenom prostoru, jer je vrlo opasno izložiti je kiši i nevremenu.

! Utičnica mora biti lako dohvatljiva i nakon postavljanja perilice.

! Zabranjeno je korištenje produžnih kabela i višestrukih utičnica.

! Ne smije se pregibati ili pritiskati kabel.


! Električni kabel smiju promijeniti jedino ovlašteni tehničari.

Pozor! Proizvođač otklanja bilo kakvu odgovornost u slučaju nepoštivanja ovih propisa.

## Prvi ciklus pranja

Nakon postavljanja a prije uporabe, izvršiti ciklus pranja s deterdžentom ali bez rublja, postavljajući program na 90°C bez pretpranja.

## Tehnički podaci

Model	WIE 107
Dimenzije	širina 59,5 cm visina 85 cm dubina 52,5 cm
Kapacitet	od 1 do 5 kg
Električno priključivanje	napon: 220/230 V 50 Hz maksimalna utrošena snaga: 1850 W
Hidraulično priključivanje	maksimalan pritisak: 1 MPa (10 bar) minimalan pritisak: 0,05 MPa (0,5 bar) kapacitet bubnja: 46 l
Brzina centrifugiranja	do 1000 okretaja u minuti
Programi kontrole po propisu IEC456	program 2; temperatura 60°C; izvršeno s 5 kg rublja.
	Ovaj je uređaj u skladu sa slijedećim Uredbama EU: - 73/23/CEE od 19/02/73 (Nizak pritisak) i naknadnim izmjenama; - 89/336/CEE od 03/05/89 (Elektromagnetska kompatibilnost) i naknadnim izmjenama

HR

Postavljanje

Opis

Programi

Deterdžent

Mjere predostrožnosti

Održavanje

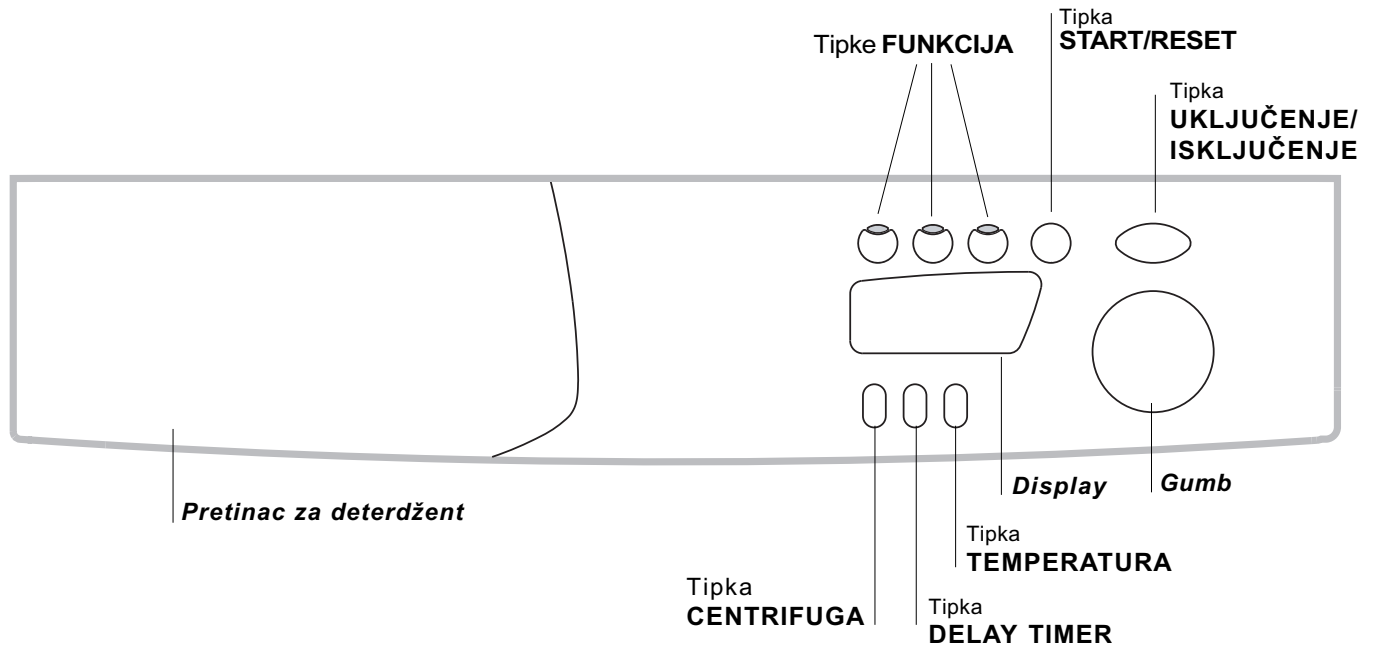
Nepravilnosti

Servisna služba

# Opis perilice rublja

HR

## Kontrolna ploča



U **pretinac za deterdžent** stavljamo deterdžent i aditive (vidi str. 44).

Tipkom **CENTRIFUGA** se podešava brzina centrifugiranja sve do njegovog isključenja (vidi str. 43).

Tipkom **DELAY TIMER** nalažemo kašnjenje u pokretanju postavljenog programa, do najviše 24 sata (vidi str. 43).

Tipkom **TEMPERATURA** mijenjamo temperaturu pranja (vidi str. 43).

**Display** služi za programiranje perilice i praćenje odvijanja ciklusa pranja (vidi susjednu stranicu).

Tipke **FUNKCIJE**: njima odabiremo raspoložive funkcije. Tipka koja se odnosi na dotičnu funkciju ostati će upaljena.

Tipka **START/RESET** služi za pokretanje programa ili njegovo poništenje ako smo ga pogrešno postavili.

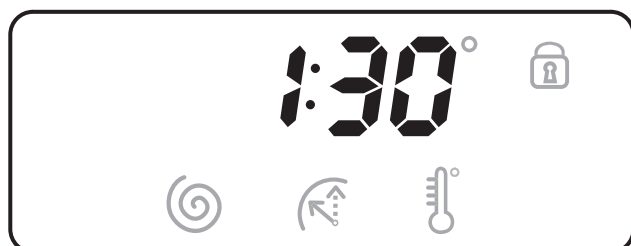
Tipkom **UKLJUČENJE/ISKLJUČENJE** uključujemo i isključujemo perilicu.

Pomoću **gumba** odabiremo programe. Tijekom odvijanja programa gumb ostaje nepomičan.



## Display

Osim što je vrlo koristan za programiranje stroja (*vidi str. 43*), display pruža podatke o ciklusu pranja.



Nakon pritiska na tipku START/RESET u svrhu pokretanja programa, na display-u se prikazuje vrijeme koje nedostaje do završetka ciklusa. Ako postavite kašnjenje pokretanja za određeno vrijeme ("Delay Timer", *vidi str. 43*), prikazati će se to vrijeme.



### Vrata blokirana:

Upaljeni simbol pokazuje da su vrata blokirana kako bi se spriječilo njihovo slučajno otvaranje. Da bi ste izbjegli kvar, ne otvarajte vrata sve dok se simbol ne ugasi.

Po završetku programa prikazuje se natpis "END".

! U slučaju nepravilnosti pokazuje se šifra pogreške, na primjer: F-01, koju treba dojaviti Tehničkoj službi (*vidi str. 48*).

### Program "MEMO"

Ovaj program omogućuje memoriranje nama najpogodnijeg ili najčešće korištenog ciklusa pranja. Dovoljno je postaviti željeni program te nakon njegovog pokretanja okrenuti GUMB u položaj : ciklus će biti automatski memoriran, a na displayu će se pojaviti natpis "MEMO" koji će treptjeti nekoliko sekundi. Ciklus "MEMO" ubuduće možete pokrenuti jednostavno okretanjem GUMBA u položaj ; pritiskom na odgovarajuće tipke moguće je prikazati i vrijednosti temperature/centrifugiranja/delay timer, a možete te vrijednosti i promijeniti, s tim da će ta promjena važiti samo za program u tijeku i neće biti memorirana u ciklusu "MEMO".

Ako želite memorirati novi ciklus pranja, ponovite gore navedeni postupak.

HR

Postavljanje

Opis

Programi

Detekcija

Mjere predostrožnosti

Održavanje


Nepravilnosti


Servisna služba

# Pokretanje i programi





HR

## Ukratko: pokrenuti program

1. Uključite perilicu pritiskom na tipku .
2. Stavite rublje u perilicu i zatvorite vrata.
3. Pomoću gumba odaberite željeni program. Na display-u će se pokazati procjena potrebnog vremena. Stroj automatski postavlja temperaturu i centrifugiranje na temelju programa (radi promjene *vidi str. 43*).

4. Odaberite potrebne funkcije (*vidi str. 43*).
5. Uspite deterdžent i aditive (*vidi str. 44*).
6. Pokrenite program pritiskom na tipku START/RESET.  
Poništavanje se vrši pritiskom na tipku START/RESET u trajanju od barem 2 sekunde.
7. Po završetku programa pojavljuje se natpis "END". Izvadite rublje i ostavite vrata pritvorena kako bi se bubanj osušio.
8. Isključite perilicu pritiskom na tipku .

## Tablica programa

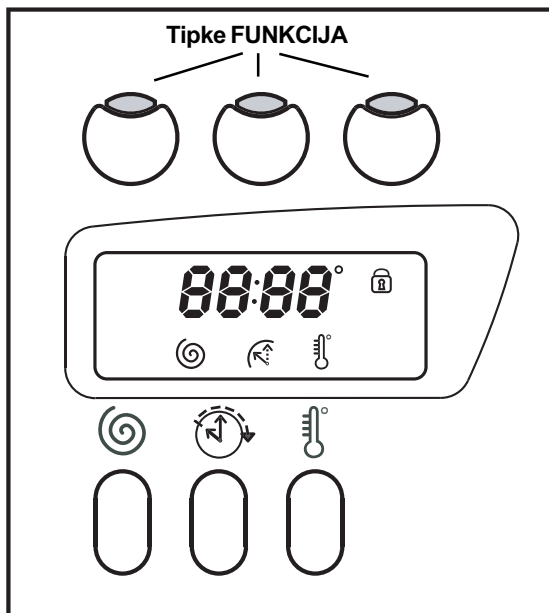
Vrsta tkanine i uprljanost	Programi	Temperatura	Deterdžent		Omekšivač	Bijeljenje / sredstva za izbjeljivanje	Trajanje ciklusa (u minutama)	Opis ciklusa pranja
			Pretrpr.	Pranje				
<b>Standardno</b>								
Vrlo prljavo bijelo rublje (plahte, stolnjaci, itd.)	1	90°C	•	•	•		135	Pretrpranje, pranje, ispiranja, centrifugiranja i završno centrifugiranje
Vrlo prljavo bijelo rublje (plahte, stolnjaci, itd.)	2	90°C		•	•	Blago / tradicionalno	125	Pranje, ispiranja, centrifugiranja i završno centrifugiranje
Vrlo prljavo bijelo i obojeno rublje postojanih boja	2	60°C		•	•	Blago / tradicionalno	110	Pranje, ispiranja, centrifugiranja i završno centrifugiranje
Vrlo prljavo bijelo i obojeno rublje postojanih boja	2	40°C		•	•	Blago / tradicionalno	105	Pranje, ispiranja, centrifugiranja i završno centrifugiranje
Malo prljavo bijelo rublje i rublje osjetljivih boja (košulje, majice, itd.)	3	40°C		•	•	Blago / tradicionalno	70	Pranje, ispiranja, centrifugiranja i završno centrifugiranje
Vrlo prljavo rublje otpornih boja (bijelo rublje novorođenčadi, itd.)	4	60°C		•	•	Blago	75	Pranje, ispiranja, "protiv nabora" ili lagano centrifugiranje
Vrlo prljavo rublje otpornih boja (bijelo rublje novorođenčadi, itd.)	4	40°C		•	•	Blago	60	Pranje, ispiranja, "protiv nabora" ili lagano centrifugiranje
Vuna	5	40°C		•	•		50	Pranje, ispiranja, "protiv nabora" i lagano centrifugiranje
Vrlo osjetljive tkanine (zavjese, svila, viskosa, itd.)	6	30°C		•	•		45	Pranje, ispiranja, "protiv nabora" ili izbacivanje vode
<b>"Time 4 you"</b>								
Vrlo prljavo bijelo i obojeno rublje postojanih boja	7	60°C		•	•		65	Pranje, ispiranja, centrifugiranja i završno centrifugiranje
Malo prljavo bijelo rublje i rublje osjetljivih boja (košulje, majice, itd.)	8	40°C		•	•		55	Pranje, ispiranja, centrifugiranja i završno centrifugiranje
Osjetljive boje (donekle prljavo bijelo rublje svih vrsta)	9	40°C		•	•		45	Pranje, ispiranja i lagano centrifugiranje
Osjetljive boje (donekle prljavo bijelo rublje svih vrsta)	10	30°C		•	•		30	Pranje, ispiranja i lagano centrifugiranje
<b>Šport</b>								
Športska obuća (MAKS. 2 para.)	11	30°C		•	•		50	Hladno pranje (bez deterdženta), pranje, ispiranja i lagano centrifugiranje
Tkanine za športsku odjeću (trenerke, hlačice, itd.)	12	30°C		•	•		60	Pranje, ispiranja, centrifugiranja i završno centrifugiranje
<b>MEMO</b>		Omogućuje memoriranje bilo koje vrste pranja ( <i>vidi str. 41</i> ).						
<b>DJELOMIČNI PROGRAMI</b>								
Ispiranje					•	Blago / tradicionalno		Ispiranja i centrifugiranje
Centrifugiranje								Izbacivanje vode i centrifugiranje
Izbacivanje vode								Izbacivanje vode

## Napomene

- Za programe 7 - 8 preporučena količina robe ne prelazi 3,5 kg.
- Za program 12 preporučena količina robe ne prelazi 2 kg.
- Opis "protiv nabora" vidi u odjeljku "Manje peglanja" na *sljedećoj stranici*. Podaci u tablici imaju približnu vrijednost.

## Posebni program

*Dnevni 30'* (program 10 za sintetiku) proučavan je za pranje donekle prljavog rublja u kratkom vremenu: traje samo 30 minuta i tako nam pomaže uštedjeti struju i vrijeme. Postavljanjem ovog programa (10 na 30°C) moguće je zajedno prati tkanine različitih vrsta (osim vune i svile) s najvećim mogućim opterećenjem od 3 kg. *Preporučuje se uporaba tekućeg deterdženta.*



## Podešavanje centrifugiranja

Ako se pri uključanju stroja GUMB nalazi na programu koji predviđa centrifugiranje, simbol neće treptjeti. Pritiskom na tipku prikazuje se najveća dozvoljena brzina centrifugiranja za postavljeni program i simbol trepti. Ponovnim pritiskom na tipku vrijednost će se sniziti do OFF, što označava isključenje centrifugiranja (ponovnim pritiskom vraća se na višu vrijednost); zaustavite se na željenoj brzini i nakon otprilike 2 sekunde vaš će odabir biti prihvaćen: simbol će prestati treptjeti. Podešavanje centrifugiranja je aktivno kod svih programa osim 6.-og i izbacivanja vode.

## Podešavanje delay timera

Pritiskom na tipku na display-u će se pojaviti natpis OFF i odgovarajući simbol će treptjeti.

Kod ponovnog pritiska na tipku pojavit će se "1h", odnosno kašnjenje od 1 sat i tako dalje sve do 24h; zaustavite se na željenom "kašnjenju" i nakon otprilike 2 sekunde vaš će odabir biti prihvaćen, nakon čega će se na display-u pojaviti vrijeme predviđeno za izvođenje postavljenog programa, a simbol će ostati upaljen.

Ako sad pritisnete tipku START/RESET, pojavit će se vrijednost

odabranog "kašnjenja" koja će se do pokretanja ciklusa smanjivati svaki sat; u ovoj je fazi moguće jedino smanjiti vrijednost "kašnjenja". Podešavanje Delay Timera je aktivno kod svih programa.

## Podešavanje temperature

Ako se pri uključanju stroja GUMB nalazi na programu koji predviđa podešavanje temperature, simbol neće treptjeti. Pritiskom na tipku prikazuje se najviša dozvoljena temperatura za postavljeni program, a simbol trepti. Ponovnim pritiskom na tipku temperatura će se sniziti do OFF, što označava hladno pranje (ponovnim pritiskom vraća se na višu vrijednost); zaustavite se na željenoj visini temperature i nakon otprilike 2 sekunde vaš će odabir biti prihvaćen: simbol će prestati treptjeti. Podešavanje temperature je aktivno u svim programima pranja.

## Funkcije

Perilica raznim funkcijama pranja koje posjeduje omogućuje postizanje željene čistoće i bjeline. Aktiviranje funkcija se vrši:

1. pritiskom na odgovarajuću tipku funkcije po dolje prikazanoj tablici;
2. paljenje odgovarajuće tipke označava da je funkcija aktivirana.

Napomena: ubrzano treptanje tipke pokazuje da za postavljeni program nije moguće odabrati dotičnu funkciju.

U slučaju postavljanja funkcije koja nije u skladu s nekom prethodno odabranom funkcijom, ostaje aktivirana samo posljednja odabrana funkcija.

Funkcije	Učinak	Napomene za uporabu	Aktivan uz program:
 <b>Bijeljenje</b>	Ciklus bijeljenja pogodan za odstranjivanje i najotpornijih mrlja.	Ne zaboravite uliti sredstvo za izbjeljivanje u dodatnu zdjelicu 4 (vidi str. 44). Nije moguće postaviti funkciju MANJE PEGLANJA.	2, 3, 4, ispiranja.
 <b>Naj-ispiranje</b>	Povećava učinkovitost ispiranja.	Preporučuje se kod pune perilice ili kod velikih količina deterdženta.	1, 2, 3, 4, 7, 8, 9, 11, 12, ispiranja.
 <b>"Manje peglanja"</b>	Smanjuje nabore na tkanini olak šavajući peglanje.	Postavljanjem ove funkcije programi 4, 5, 6 se prekidaju, a rublje ostaje namočeno ("Protiv nabora") i odgovarajuća tipka trepti. - da bi ste završili ciklus pritisnite tipku START/RESET ili MANJE PEGLANJA. - da bi ste samo izbacili vodu, namjestite gumb na odgovarajući simbol  i pritisnite tipku START/RESET. Nije moguće postaviti funkciju BIJELJENJE.	3, 4, 5, 6, 7, 8, 9, ispiranja.

H

Postavljanje

Opis

Programi

Deterdžent

Mjere predostrožnosti

Održavanje

Nepravilnosti

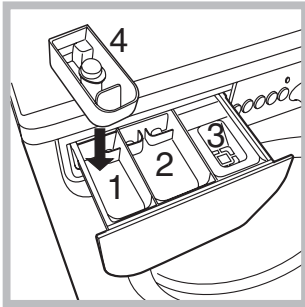
Servisna služba

# Deterdžent i rublje

HR

## Pretinac za deterdžent

Dobar ishod pranja ovisi i o ispravnom odmjeravanju količine deterdženta: pretjeranim količinama ne pospješujemo učinak pranja već pomažemo stvaranje naslaga na unutarnjim dijelovima perilice i zagađujemo okolinu.



Izvučite pretinac za deterdžent i uspite deterdžent ili aditiv na slijedeći način.

### Zdjelica 1: deterdžent za pretpranje (u prahu)

Prije usipanja provjerite da nije umetnuta dodatna zdjelica 4.

### Zdjelica 2: deterdžent za pranje (u prahu ili tekući)

Tekući deterdžent se ulijeva neposredno prije pokretanja stroja.

### Zdjelica 3: aditivi (omekšivač, itd.)

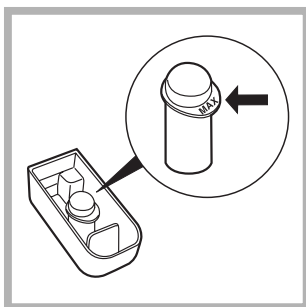
Omekšivač ne smije izaći kroz rešetku.

### Dodatna zdjelica 4: sredstvo za bijeljenje


! Nemojte upotrebljavati deterdžente za ručno pranje jer previše pjene.

## Ciklus bijeljenja

! **Tradicionalno** sredstvo za izbjeljivanje koristi se za otporne bijele tkanine, a ono **blago** za obojene tkanine, sintetiku i vunu.



Umetnuti dostavljenu dodatnu zdjelicu 4 u zdjelicu 1.  
U odmjeravanju količine sredstva za izbjeljivanje nemojte prijeći granicu "max" na središnjoj osovini (vidi sliku).

Za samo bijeljenje ulijte sredstvo za izbjeljivanje u dodatnu zdjelicu 4 i postavite program ispiranja .  
Za bijeljenje tijekom pranja ulijte deterdžent i aditive, postavite željeni program i aktivirajte način Bijeljenje (vidi str. 43).

Uporaba dodatne zdjelice 4 isključuje pretpranje. Osim toga, bijeljenje se ne može obavljati programima 6 (svila) i Dnevni 30' (vidi str. 42).

## Pripremanje rublja

- Odvojite rublje obzirom na:
  - vrstu tkanine / simbol na etiketi;
  - boje (odvojite rublje u boji od onog bijelog).
- Ispraznite džepove i provjerite dugma.
- Nemojte prijeći naznačene količine koje se odnose na težinu suhog rublja:
  - otporne tkanine - najviše 5 kg
  - sintetičke tkanine - najviše 2,5 kg
  - osjetljive tkanine - najviše 2 kg
  - vuna - najviše 1 kg

### Koliko teži rublje?

- 1 plahta 400-500 g
- 1 jastučnica 150-200 g
- 1 stolnjak 400-500 g
- 1 kupaći ogrtač 900-1.200 g
- 1 ručnik 150-250 g

## Posebno rublje

**Zavjese:** savijte ih i stavite u jastučnicu ili mrežicu. Perite ih same, u količini ne većoj od pola punjenja, programom 6 koji automatski isključuje centrifugiranje.

**Perine i vjetrovke:** ako su punjene gušćim ili pačjim perjem, može ih se prati u perilici. Izvrnite odjeću i opteretite perilicu s najviše 2-3 kg rublja, ponavljajući ispiranje jednom ili dva puta i obavljajući lagano centrifugiranje.

**Vuna:** najbolji rezultati se postižu uporabom deterdženta za vunu i pranjem ne više od 1kg rublja odjednom.

! Perilica je osmišljena i ostvarena u skladu s međunarodnim propisima o sigurnosti. Ova se upozorenja daju u svrhu zaštite i mora ih se pažljivo pročitati.

## Opća sigurnost

- Ovaj je uređaj osmišljen i izrađen za kućnu, a ne profesionalnu uporabu i zabranjeno je vršiti preinake njegovih funkcija.
- Perilicu smiju koristiti jedino odrasle osobe i to po uputama iz ovog priručnika.
- Ne dodirujte stroj bosih nogu ni s vlažnim rukama ili stopalima.
- Ne isključujte utikač iz utičnice potezanjem kabela, već hvatajući utikač.
- Ne otvarajte pretinac za deterdžent dok stroj radi.
- Ne dirajte izbačenu vodu jer može dostići visoke temperature.
- Ni u kom slučaju nemojte nasilno rukovati vratima: mogao bi se oštetiti sigurnosni mehanizam koji sprječava slučajno otvaranje.
- U slučaju kvara nemojte dirati ni pokušavati popravljati unutarnje mehanizme.
- Provjeravajte uvijek da se djeca ne približavaju stroju dok radi.
- Vrata se tijekom pranja obično zagrijevaju.
- Ako je potrebno premjestiti perilicu, neka to obave dvije ili tri osobe uz najveću moguću pozornost. Ne pokušavajte je sami premjestiti jer je vrlo teška.
- Prije unošenja rublja provjerite da li je bubanj prazan.

## Uklanjanje

- Uklanjanje pakiranja: pridržavati se lokalnih propisa, tako će se pakiranje moći reciklirati.
- Uklanjanje stare perilice: prije odlaganja za staro željezo, odrežite kabel za napajanje električnom energijom i otklonite vrata kako bi perilica bila neupotrebljiva.

## Ušteda i poštivanje okoline

### Tehnologija u službi okoline

Ako kroz vrata vidite malo vode to je zbog toga što je novoj tehnologiji Indesit dovoljna samo polovica vode za postizanje vrhunske čistoće: cilj postignut u svhu poštivanja okoline.

### Ušteda deterdženta, vode, struje i vremena

- Da bi ste spriječili rasipanje sredstava, napunite perilicu. Pranje pune perilice predstavlja uštedu od 50% struje u odnosu na dva pranja poluprazne perilice.
- Pretpranje je neophodno samo za vrlo prljavo rublje. Izvjejavajući pretpranje štedite deterdžent, vrijeme, vodu i između 5 i 15% struje.
- Primjenom sredstva za uklanjanje mrlja ili namakanjem umrljanog rublja prije pranja smanjuje se potreba za pranjem na visokim temperaturama. Programom na 60°C umjesto onog na 90°C ili jednim na 40°C umjesto na 60°C štedi se i do 50% struje.
- Pravilnim odmjeravanjem količine deterdženta na temelju tvrdoće vode, stupnja prljavosti i količine rublja izbjegavamo rasipanje i štitimo okolinu: iako biorazgradivi, deterdženti sadrže elemente koji utječu na ravnotežu prirode. Pored toga treba što je više moguće izbjegavati omekšivač.
- Pranjem kasno poslijepodne do prvih jutarnjih sati surađujete u smanjenju iscrpljenja proizvodnje električne energije. Način "Delay Timer" (vidi str. 43) puno pomaže u organiziranju pranja u tom smislu.
- Ako rublje treba osušiti u sušilici, odaberite veliku brzinu centrifugiranja. Malo vode u rublju znači uštedu vremena i struje kod programu sušenja.

HR

Postavljanje

Opis

Programi

Deterdžent

Mjere predostrožnosti

Održavanje

Nepravilnosti

Servisna služba

# Održavanje i očuvanje

HR

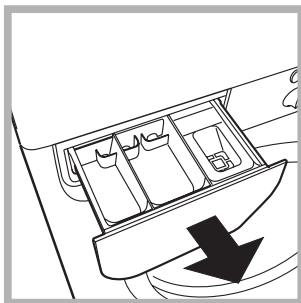
## Zatvaranje vode i isključivanje električne struje

- Nakon svakog pranja zatvorite slavinu s vodom. Tako se ograničava trošenje hidrauličnih instalacija perilice i uklanja opasnost gubitka.
- Isključite utikač iz struje dok čistite perilicu, kao prilikom izvođenja radova održavanja.

## Čišćenje perilice

Vanjski dio i gumene dijelove može se čistiti krpom namočenom u mlakoj vodi i sapunu. Ne upotrebljavajte rastvorna sredstva ili ona koja bi mogla ogrebat površinu.

## Čišćenje pretinca za deterdžent



Izvucite pretinac podižući ga i povlačeći prema vani (vidi sliku). Operite ga u tekućoj vodi; ovo čišćenje treba često obavljati.

## Očuvanje vrata i bubnja

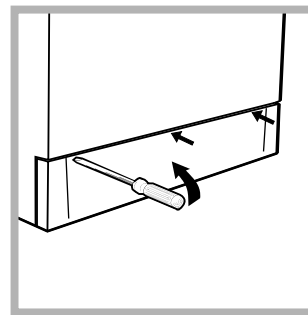
- Ostavljajte uvijek pritvorena vrata kako bi se izbjeglo stvaranje neugodnih mirisa.

## Čišćenje crpke

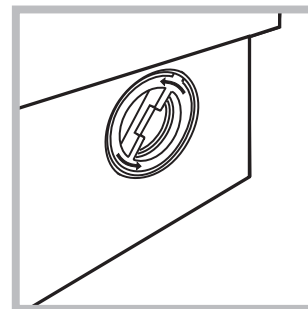
Perilica posjeduje samočišćeću crpku koju nije potrebno održavati. Može se, međutim, dogoditi da sitni predmeti (sitni novac, dugma) padnu u pred-prostor koji zaštićuje crpku, a nalazi se u njenom donjem dijelu.

! Provjerite da je ciklus pranja završio i isključite prekidač.

Da bi ste došli do pred-prostora:



1. pomoću odvijača otklonite ploču na prednjem dijelu perilice (vidi sliku);



2. odvijte poklopac okrećući ga u smjeru obratnom od kazaljke na satu (vidi sliku) - normalno je da izađe malo vode;

3. brižljivo očistite unutrašnjost;
4. ponovno zavijte poklopac;
5. provjerite da su kukice ulegle u odgovarajuća ležišta prije no što uglavite ploču na mjesto.

## Provjera cijevi za dovod vode

Provjerite cijev za dovod vode barem jednom godišnje. Ako postoje napukline ili pukotine potrebno ju je promijeniti: visoki pritisci bi tijekom pranja mogli prouzročiti nenadano pucanje.

! Nemojte upotrebljavati već korištene cijevi.

Može se dogoditi da perilica ne radi. Prije no što telefonirate Servisnoj službi (*vidi str. 48*), provjerite da se ne radi o problemu kojeg se može lako riješiti uz pomoć popisa koji slijedi.

## Nepravilnosti:

## Mogući uzroci / Rješenja:

**Perilica se ne uključuje.**

- Utikač nije u utičnici ili ne dovoljno da bi ostvario kontakt.
- Nestalo je struje u kući.

**Ciklus pranja ne započinje.**

- Vrata nisu dobro zatvorena (na display-u se prikazuje natpis "DOOR").
- Niste pritisnuli tipku (⏏).
- Niste pritisnuli tipku START/RESET.
- Slavina za vodu je zatvorena.
- Postavili ste kašnjenje u pokretanju ("Delay Timer", *vidi str. 43*).

**Perilica ne uzima vodu (na display-u se prikazuje natpis: "H<sub>2</sub>O").**

- Dovodna cijev za vodu nije spojena na slavinu.
- Cijev je savijena.
- Slavina za vodu je zatvorena.
- Nestalo je vode u kući.
- Pritisak nije dovoljan.
- Niste pritisnuli tipku START/RESET.

**Perilica stalno uzima i izbacuje vodu.**

- Cijev za izbacivanje vode nije postavljena na 65-100 cm od tla (*vidi str. 39*).
- Završetak cijevi za izbacivanje vode je uronjen u vodu (*vidi str. 39*).
- Odvod u zidu nema odušak za zrak.

Ako se ni nakon ovih provjera problem ne može riješiti, zatvorite slavinu s vodom, isključite perilicu i pozovite Servisnu službu. Ako se stan nalazi na posljednjim katovima zgrade, moguća je pojava fenomena sifonaže, uslijed čega perilica stalno uzima i izbacuje vodu. Ova se nepogodnost uklanja naročitim ventilima protiv sifonaže koji se mogu naći u prodaji.

**Perilica ne izbacuje vodu ili ne centrifugira.**

- Program ne predviđa izbacivanje vode: kod nekih ga je programa potrebno ručno pokrenuti (*vidi str. 42*).
- Aktiviran je način "Manje peglanja": završavanje programa vrši se pritiskom na tipku START/RESET (*vidi str. 43*).
- Cijev za izbacivanje vode je savijena (*vidi str. 39*).
- Odvodni kanal je začepljen.

**Perilica jako vibrira tijekom centrifugiranja.**

- Bubanž u trenutku postavljanja nije pravilno oslobođen (*vidi str. 38*).
- Perilica nije u ravnini (*vidi str. 38*).
- Perilica je stisnuta između namještaja i zida (*vidi str. 38*).

**Perilica gubi vodu.**

- Dovodna cijev za vodu nije dobro navijena (*vidi str. 38*).
- Pretinac za deterdžent je začepljen (za čišćenje *vidi str. 46*).
- Cijev za izbacivanje vode nije dobro učvršćena (*vidi str. 39*).

**Stvara se prevelika pjena.**

- Deterdžent nije pogodan za pranje u perilici (mora imati natpis "za strojno pranje rublja", "za ručno i strojno pranje" ili sličan).
- Pretjerali ste s deterdžentom.

HR

Postavljanje

Opis

Programi

Deterdžent

Mjere predostrožnosti

Održavanje

Nepravilnosti

Servisna služba

# Servisna služba

---

HR

## **Prije pozivanja Servisne službe:**

- provjerite da li sami možete otkloniti nepravilnost (*vidi str. 47*);
- ponovno pokrenite program da bi ste provjerili da li je problem otklonjen;
- U negativnom slučaju, obratiti se ovlaštenoj Tehničkoj službi na broj telefona naznačen na garantnom listu.

**!** Nemojte se obraćati neovlaštenim tehničarima.

## **Priopćite:**

- vrstu nepravilnosti;
- model stroja (Mod.);
- broj serije (S/N).

Ti se podaci nalaze na pločici postavljenoj na stražnjoj strani perilice.



HU

Magyar

WIE 107

HU

### Összefoglalás

#### Üzembehelyezés, 50-51

Kicsomagolás és vízszintbe állítás, 50  
Víz és elektromos csatlakozás, 50-51  
Első mosási ciklus, 51  
Műszaki adatok, 51

#### Mosógép leírása, 52-53

Vezérlőpanel, 52  
Kijelző, 53  
"MEMO" Program, 53

#### Indítás és Programok, 54

Röviden: egy program elindítása, 54  
Programtáblázat, 54

#### Program módosítások, 55

Centrifugálás beállítása, 55  
Az időkésleltetés beállítása, 55  
Hőmérséklet beállítása, 55  
Funkciók, 55

#### Mosószerek és mosandók, 56

Mosószeraadagoló fiók, 56  
Fehérítő ciklus, 56  
Mosandó ruhák előkészítése, 56  
Különleges bánásmódot igénylő darabok, 56

#### Óvintézkedések és tanácsok, 57

Általános biztonság, 57  
Hulladékelhelyezés, 57  
Környezetvédelem, 57

#### Karbantartás és törődés, 58

A víz elzárása és az elektromos áram kikapcsolása, 58  
A mosógép tisztítása, 58  
A mosószertartó tisztítása, 58  
Az ajtó és a forgódob gondozása, 58  
A szivattyú tisztítása, 58  
A vízbevezető cső ellenőrzése, 58

#### Rendellenességek és elhárításuk, 59

#### Szerviz, 60

Mielőtt a Szervizhez fordulna, 60

# Üzembehelyezés

HU

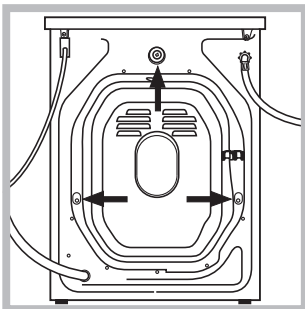
! E kézikönyv megőrzése azért fontos, hogy bármikor elővehesse, és megnézhesse. Ha a mosógépet eladná, átadná vagy másnál helyezné el, gondoskodjon arról, hogy e használati utasítás a géppel együtt maradjon, hogy az új tulajdonos is megismerhesse a mosógép funkcióit és az ezekre vonatkozó figyelmeztetéseket.

! Figyelmesen olvassa el az utasításokat: fontos információkat tartalmaznak az üzembehelyezésről, a használatról és a biztonságról.

## Kicsomagolás és vízszintbe állítás

### Kicsomagolás

1. Csomagolja ki a mosógépet.
2. Ellenőrizze, hogy a mosógép nem sérült-e meg a szállítás során. Ha a gépen sérülést talál, ne csatlakoztassa, és forduljon a készülék eladójához.



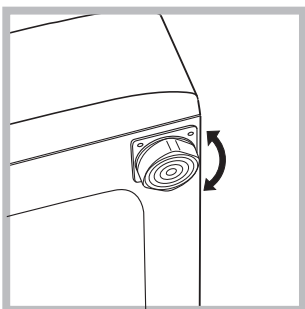
3. Távolítsa el a hátoldalon található, a szállításhoz felszerelt 3 védőcsavart, valamint a gumit a hozzá tartozó távtartóval (lásd ábra).

4. A furatokat zárja le a tartozékként kapott műanyag dugókkal.
5. A hátul jobboldalon lent, a villásdugó helyén lévő három furatot is zárja le a tartozék dugóval.
6. Minden darabot őrizzen meg: ha a mosógépet szállítani kell, előtte ezeket vissza kell szerelni.

! A csomagolóanyag nem gyermekjáték

### Vízszintezés

1. A mosógépet sík és kemény padlóra állítsa, úgy, hogy ne érjen falhoz, bútorhoz vagy máshoz.

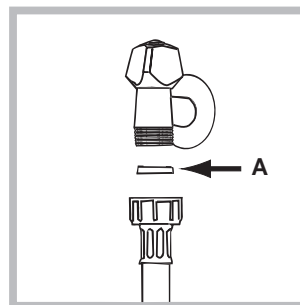


2. Ha a padló nem tökéletesen vízszintes, az első lábak be-, illetve kicsavarásával kompenzálhatja azt (lásd ábra). A dőlés a gép felső burkolatán mérve nem lehet több, mint 2°.

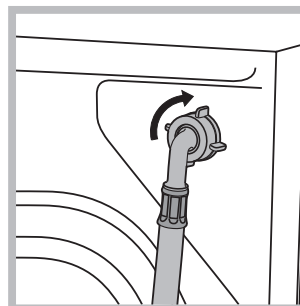
A pontos vízszintezés biztosítja a gép stabilitását, így az a működés során nem fog vibrálni, zajt okozni vagy elmozdulni. Szőnyegpadló vagy szőnyeg esetén a lábakat úgy állítsa be, hogy a mosógép alatt elegendő hely maradjon a szellőzésre.

## Víz és elektromos csatlakozás

### Vízbevezető cső csatlakoztatása



1. Illessze az A tömítést a vízbevezető cső végére és csavarozza fel a 3/4"-os külső menettel rendelkező hidegvíz csapra (lásd ábra). A csatlakoztatás előtt eresszen ki a csapból vizet addig, amíg a víz teljesen átlátszóvá nem válik.



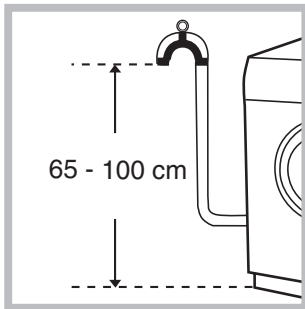
2. Csatlakoztassa a vízbevezető csövet a mosógéphez úgy, hogy azt a hátul jobboldalon fent lévő vízbemeneti csonkra csavarozza (lásd ábra).

3. Ügyeljen arra, hogy a csövön ne legyen törés vagy szűkület.

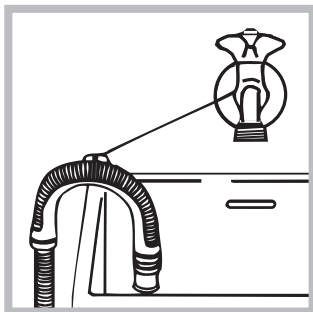
! A csapnál a víznyomásnak a Műszaki adatok táblázatban szereplő határértékek között kell lennie (lásd a szemben lévő oldalt).

! Amennyiben a vízbevezető cső nem elég hosszú, forduljon szakülethez vagy megbízott szakemberhez.

## A leeresztőcső csatlakoztatása



A leeresztőcsövet csatlakoztassa lefolyóhoz vagy a padlótól 65 és 100 cm közötti magasságban lévő fali lefolyószifonhoz anélkül, hogy megtörné,



vagy akassza a mosdó vagy a kád szélére úgy, hogy a tartozékok között lévő vezetőt a csaphoz erősíti (lásd ábra). A leeresztőcső szabad végének nem szabad vízbe merülnie.

! Toldások használata nem javasolt. Amennyiben feltétlenül szükséges, a toldás átmérője egyezzen meg az eredeti csőével, és semmiképpen se legyen 150 cm-nél hosszabb.

## Elektromos bekötés

Mielőtt a csatlakozódugót az aljzatba dugná, bizonyosodjon meg arról, hogy:

- az aljzat földelése megfelel a törvény által előírtak;
- az aljzat képes elviselni a gép Műszaki adatait tartalmazó táblázatban megadott maximális teljesítményfelvételt (lásd szemben);
- a hálózat feszültsége a Műszaki adatokat tartalmazó táblázatban szereplő értékek közé esik (lásd szemben);
- Az aljzat legyen kompatibilis a gép csatlakozódugójával. Ellenkező esetben cserélje ki az aljzatot vagy a csatlakozódugót.

! A mosógép nem állítható fel nyílt téren, még akkor sem, ha a tér tetővel van fedve, mert nagyon veszélyes, ha a gép esőnek vagy zivataroknak van kitéve.

! A csatlakozódugónak könnyen elérhető helyen kell lennie akkor is, amikor a gép már a helyén áll.

! Ne használjon hosszabbítót vagy elosztót.

! Ne legyen a kábel megtörve vagy összenyomva.

! A hálózati kábelt csak megbízott szakember cserélheti.

Figyelem! A gyártó minden felelősséget elhárít, amennyiben a fenti előírásokat figyelmen kívül hagyják.

## Első mosási ciklus

Üzembehelyezés után, mielőtt a mosógépet használni kezdené, végezzen egy 90°-os előmosás nélküli mosást mosóporral de mosandó ruha nélkül.

## Műszaki adatok

<b>Modell</b>	WIE 107
<b>Méretek</b>	szélesség 59,5 cm magasság 85 cm mélység 52,5 cm
<b>Ruhatöltet:</b>	1-től 5 kg-ig
<b>Elektromos csatlakozás</b>	feszültség 220/230 Volt 50 Hz maximális felvett teljesítmény 1850 W
<b>Vízcsatlakozások</b>	maximális nyomás 1 MPa (10 bar) minimális nyomás 0,05 MPa (0,5 bar) dob úrtartalma 46 liter
<b>Centrifuga fordulatszám</b>	1000 fordulat/perc-ig
<b>IEC456 szabvány Szerinti vezérlőprogramok</b>	2-as program; hőmérséklet 60°C; 5 kg ruhatöltettel végezve.
	Ez a berendezés megfelel a következő Uniós Előírásoknak: - 73/02/19-i 73/23/CEE előírás (Alacsony feszültség) és annak módosításai - 89/05/03-i 89/336/CEE előírás (Elektromágneses összeférhetőség) és annak módosításai

☰

Üzembehelyezés

Leírás

Programok

Mosószeres

Övintézkedések

Karbantartás

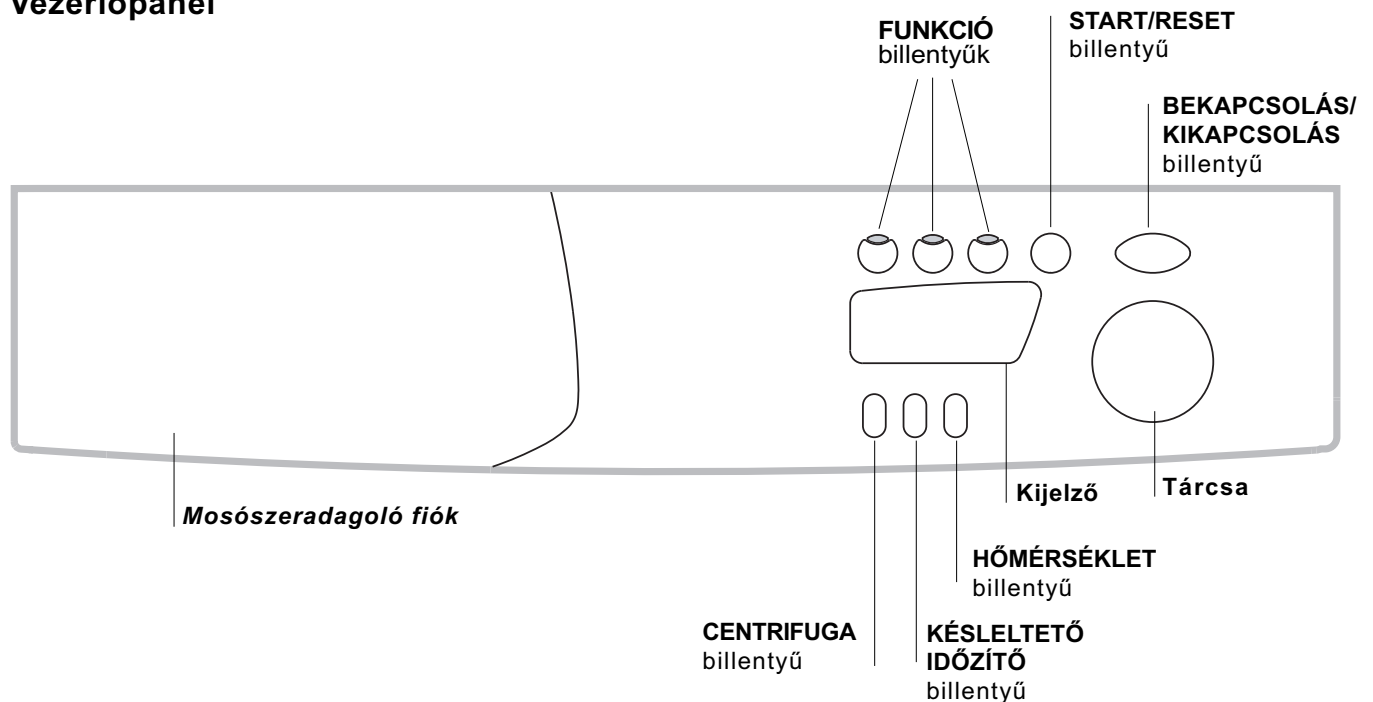
Rendellenességek

Szervíz

# A mosógép leírása

HU

## Vezérlőpanel



**Mosószeradagoló fiók** a mosószerek és adalékszerek betöltésére (lásd 56. oldal).

**CENTRIFUGA** billentyű a centrifugálás fordulatszámának beállítására illetve a centrifugálás kikapcsolására (lásd 55. oldal).

**KÉSLELTETŐ IDŐZÍTŐ** billentyű, a beállított program indítását késlelteti maximum 24 óráig (lásd old. 55).

**HŐMÉRSÉKLET** billentyű a mosás hőmérsékletének módosítására (lásd 55. oldal).

**Kijelző** a mosógép programozására és a mosási ciklusok előrehaladásának ellenőrzésére (lásd szemben lévő oldal).

**FUNKCIÓ billentyűk**: a lehetséges funkciók kiválasztására. A kiválasztott funkció billentyűje világít.

**START/RESET** billentyű a program elindítására vagy a hibás beállítás törlésére.

**BEKAPCSOLÁS/KIKAPCSOLÁS** billentyű a mosógép be- illetve kikapcsolására.

**Tárcsa** a programok kiválasztására. A program során a tárcsa nem mozog.

## Kijelző

A mosógép programozásán kívül (lásd 55. old.), a kijelző a mosási ciklussal kapcsolatos információk megjelenítésére szolgál.



Az után, hogy a program elindításához megnyomta a START/RESET billentyűt, a kijelzőn a ciklus végéig hátralévő idő látható. Abban az esetben, ha az indító órán késleltetés van beállítva (Késleltetés időzítő, lásd 55. oldal) ezt megjeleníti.



### Ajtózár:

A világító jelzőlámpa jelöli, hogy az ajtó reteszelve van a véletlen kinyitás megakadályozására. A károk elkerülése érdekében meg kell várni, hogy a jelzőlámpa kialudjon, mielőtt megpróbálná az ajtót kinyitni.

A program végén az END felirat jelenik meg.

**!** Rendellenes működés esetén a hiba kódja jelenik meg, például: F-01, amit a Szervizzel közölni kell (lásd 60. oldal).

### “MEMO” Program

Ez a program lehetővé teszi a kedvenc vagy leggyakrabban használt mosási program tárolását. Elegendő beállítani a kívánt programot, majd annak elindítása után a TÁRCSA  állásba kapcsolni, és a ciklus automatikusan memorizálódik, a kijelzőn pedig pár másodpercig megjelenik a villogó “MEMO” felirat. Ezt követően a “MEMO” program egyszerűen a TÁRCSA  pozícióba állításával elindítható; a megfelelő gombok megnyomásával megjeleníthetők a hőmérsékleti/centrifugálási/késleltetési értékek, azok megváltoztathatóak, de a változtatás csak az adott mosásra marad érvényben és nem memorizálódik a “MEMO” ciklusban.

Ha új mosási ciklust szeretne memorizálni, ismételje meg a fent leírtakat.



Üzembehelyezés

Leírás

Programok

Mosószeresek

Övintézkedések

Karbantartás

Rendellenességek

Szerviz

# Indítás és Programok





HU

## Röviden: egy program elindítása

1. Az (I) billentyű megnyomásával kapcsolja be a mosógépet.
2. Rakja be a mosandó ruhát, és csukja be az ajtót.
3. A tárcsával válassza ki a kívánt programot. A kijelzőn a becsült idő jelenik meg. A hőmérsékletet és a centrifugálást a program alapján automatikusan beállítja (a módosításhoz lásd a 55. oldalt).

4. A lehetséges funkciók kiválasztása (lásd old. 55).
5. Töltse be a mosószert és az adalékokat (lásd 56. oldal).
6. A START/RESET billentyű megnyomásával indítsa el a programot.  
A törléshez tartsa nyomva a START/RESET billentyűt legalább 2 másodpercen keresztül.
7. A program végén az END felirat jelenik meg. Vegye ki a mosott ruhát, és resre hagyja nyitva az ajtót, hogy a dob kiszáradhasson.
8. Az (I) billentyűvel kapcsolja ki a mosógépet.

## Programtáblázat

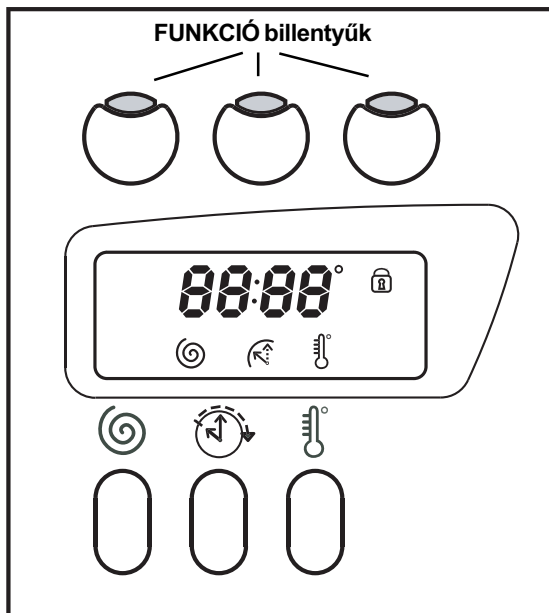
Az anyag és a piszok természete	Programok	Hőmérséklet	Mosószer		Lágyítószer	Folteltávolító/ Fehérítő opció	Ciklusidő (perc)	A mosási ciklus leírása
			előmosás	mosás				
<b>Szokásos</b>								
Erősen szennyezett fehér ruhák (lepedő, abrosz, stb.)	1	90°C	•	•	•		135	Előmosás, mosás, öblítés, középső és végső centrifugálás
Erősen szennyezett fehér ruhák (lepedő, abrosz, stb.)	2	90°C		•	•	Finom / Hagyományos	125	Mosás, öblítés, középső és végső centrifugálás
Erősen szennyezett fehér és magasabb hőmérsékleten mosható színes ruhák	2	60°C		•	•	Finom / Hagyományos	110	Mosás, öblítés, középső és végső centrifugálás
Erősen szennyezett finom fehér és színes ruhák	2	40°C		•	•	Finom / Hagyományos	105	Mosás, öblítés, középső és végső centrifugálás
Enyhén szennyezett fehér és finom színes ruhák (ingek, blúzok, stb.)	3	40°C		•	•	Finom / Hagyományos	70	Mosás, öblítés, középső és végső centrifugálás
Erősen szennyezett magasabb hőmérsékleten mosható színes ruhák (baba fehémemű, stb.)	4	60°C		•	•	Finom	75	Mosás, öblítés, gyűrődésgátlás vagy finom centrifugálás
Erősen szennyezett magasabb hőmérsékleten mosható színes ruhák (baba fehémemű, stb.)	4	40°C		•	•	Finom	60	Mosás, öblítés, gyűrődésgátlás vagy finom centrifugálás
Gyapjú	5	40°C		•	•		50	Mosás, öblítés, gyűrődésgátlás és finom centrifugálás
Nagyon finom szövetek (függönyök, selyem, viszkóz, stb.)	6	30°C		•	•		45	Mosás, öblítés, gyűrődésgátlás vagy őrítés
<b>Idő Önnel</b>								
Erősen szennyezett fehér és magasabb hőmérsékleten mosható színes ruhák	7	60°C		•	•		65	Mosás, öblítés, középső és végső centrifugálás
Enyhén szennyezett fehér és finom színes ruhák (ingek, blúzok, stb.)	8	40°C		•	•		55	Mosás, öblítés, középső és végső centrifugálás
Finom színes ruhák (bármilyen enyhén szennyezett fehémemű)	9	40°C		•	•		45	Mosás, öblítés és finom centrifugálás
Finom színes ruhák (bármilyen enyhén szennyezett fehémemű)	10	30°C		•	•		30	Mosás, öblítés és finom centrifugálás
<b>Sport</b>								
Sportcipők (MAX. 2 pár.)	11	30°C		•	•		50	Hidegmosás (mosópor nélkül), mosás, öblítés és finom centrifugálás
Sportruhák (tréningruhák, rövidnadrágok, stb.)	12	30°C		•	•		60	Mosás, öblítés, középső és végső centrifugálás
<b>MEMO</b>		Bármilyen mosási típus memorizálását engedélyezi (lásd 53. oldal).						
<b>RÉSZLEGES PROGRAMOK</b>								
Öblítés					•	Finom / Hagyományos		Öblítés és centrifugálás
Centrifugálás								Ürítés és centrifugálás
Ürítés								Ürítés

## Megjegyzések

- A 7 - 8 programok esetén nem ajánlatos 3,5 kg ruhánál többet betenni.
- A 12 program esetén nem ajánlatos 2 kg ruhánál többet betenni.
- A gyűrődésgátlás leírásához: lásd Vasalj kevesebbet, szemben lévő oldal. A táblázatban szereplő értékek tájékoztató jellegűek.

## Speciális program

**Napközbeni 30'** (10-es program szintetikus anyagokhoz) programot kevésbé szennyezett ruhák gyors mosására fejlesztettük ki: mindössze 30 percig tart, így energiát és időt takarít meg. A 10-es programot 30°C hőmérsékletre beállítva különböző jellegű anyagokat együttesen lehet mosni (kivéve gyapjú és selyem), maximum 3 kg-os töltéssel. *Folyékony mosószer használatát javasoljuk.*



## Centrifugálás beállítása

Ha a mosógép bekapcsolásakor a TÁRCSA olyan programra van állítva, amelynél a centrifugálást be kell állítani, az ikon folyamatosan világít. Az gomb megnyomásával megjelenik a beállított programra vonatkozó maximális centrifugálási sebesség és az ikon villogni kezd. A gomb ismételt megnyomásával az érték OFF állásig csökken, ami a centrifugálás elhagyását jelenti (ha vissza szeretne térni magasabb értékhez, nyomja a gombot tovább); álljon meg a kívánt értéknél, körülbelül 2 másodperc múlva a kiválasztott értéket a mosógép elfogadja: az szimbólum folyamatosan világít. A beállított centrifugálási fordulatszám minden programra érvényes, kivéve a 6-est és a Szivattyúzást.

## Regolare il Delay Timer

A kijelzőn az gomb megnyomása után megjelenik az OFF felirat és az ennek megfelelő szimbólum villogni kezd. A gomb újbóli megnyomásával megjelenik az „1h”, azaz egy óras késleltetés, és így tovább, egészen 24 óráig; álljon meg a kívánt „késleltetésnél”, körülbelül 2 másodperc múlva a kiválasztott értéket a mosógép elfogadja; ezt követően a kijelzőn megjelenik a beállított programra vonatkozó

késleltetési idő és az szimbólum folyamatosan világít. Ha most megnyomja a START/RESET gombot, újra megjelenik a kiválasztott „késleltetési” idő, mely minden órával csökken egészen a ciklus indulásáig, ebben a szakaszban a „késleltetés” csak visszafele módosítható. Az Időkésleltető mindegyik programhoz beállítható.

## Hőmérséklet beállítása

Ha a mosógép bekapcsolásakor a TÁRCSA olyan programra van állítva, amelynél a hőmérsékletet be kell állítani, az ikon folyamatosan világít. Az gomb megnyomásával megjelenik a beállított programra vonatkozó maximális hőmérséklet és az ikon villogni kezd. A gomb ismételt megnyomásával a hőmérséklet OFF állásig csökken, ami a hidegmosást jelenti (ha vissza szeretne térni magasabb értékhez, nyomja a gombot tovább); álljon meg a kívánt értéknél, körülbelül 2 másodperc múlva a kiválasztott értéket a mosógép elfogadja: az szimbólum folyamatosan világít. A beállított hőmérséklet minden mosóprogramra érvényes.

## Funkciók

A mosógép különféle mosófunkciói lehetővé teszik a kívánt tisztítás és fehérség elérését. A funkciók bekapcsolásához:

1. nyomja meg a kívánt funkcióhoz tartozó billentyűt, az alábbi táblázat szerint;
2. a billentyű világítása azt jelzi, hogy a hozzá tartozó funkció be van kapcsolva.

Megjegyzés: A gyors villogás azt jelenti, hogy a beállított programhoz a billentyűhöz tartozó funkció nem kapcsolható be.

Abban az esetben, ha egy másik, korábban kiválasztottal össze nem férő funkciót kapcsol be, csak az utolsóként választott marad bekapcsolva.

Funkciók	Hatás	Megjegyzések a használathoz	A következő programokkal működik:
<b>Fehérités</b>	A fehérités ciklus a legmakacsabb foltok eltávolítására alkalmas.	Ne felejtse al a fehéritőszert a 4-es berakható tartályba tölteni (lásd 56. oldal). Ez a VASALJ KEVESEBBET funkcióval nem fér össze.	2, 3, 4, Öblítések.
<b>Extra Öblítés</b>	Növeli az öblítés hatékonyságát.	A mosógép teljes töltése esetén vagy nagymennyiségű mosószera dagolás esetén javasolt.	1, 2, 3, 4, 7, 8, 9, 11, 12, Öblítések.
<b>Vasalj kevesebbet</b>	Csökkenti az anyagok gyűrődését, ezzel könnyítve a vasalást.	Ennek a funkciónak a beállításával a 4, 5, 6 programok az áztatásnál (Gyűrődésgátlás) leállnak és az ehhez tartozó gomb villogni kezd. - a ciklus befejezéséhez nyomja meg a START/RESET vagy a VASALJ KEVESEBBET gombot. - ha csak le akarja szivattyúzni a vizet, a tárcsát állítsa a szivattyúzás szimbólumára , és nyomja meg a START/RESET billentyűt. Ez a FEHÉRÍTÉS funkcióval nem fér össze.	3, 4, 5, 6, 7, 8, 9, Öblítések.

Üzembehelyezés

Leírás

Programok

Mosószer

Övintézkedések

Karbantartás

Rendellenességek

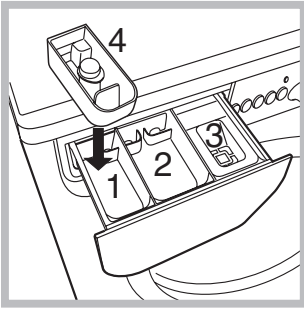
Szerviz

# Mosószerek és mosandók

HU

## Mosószera adagoló fiók

A mosás eredményessége függ a mosószert helyes adagolásától is: ha túl sokat adagol belőle, a mosás nem lesz hatékonyabb, de hozzájárul ahhoz, hogy lerakódás képződjön a mosógépben, valamint a környezetet is jobban szennyezi.



Húzza ki a mosószera adagoló fiókot, és a következőképpen tegye bele a mosószert vagy az adalékot.

### 1-es tartály: Mosószert előmosáshoz (por)

A mosószert betöltése előtt győződjön meg arról, hogy a 4-es berakható tartály nincs fiókban.

### 2-es tartály: Mosószert mosáshoz (por vagy folyadék)

A folyékony mosószert csak az indítás előtt lehet betölteni.

### 3-as tartály: Adalékok

(öblítőszer, illatosítók, stb.)

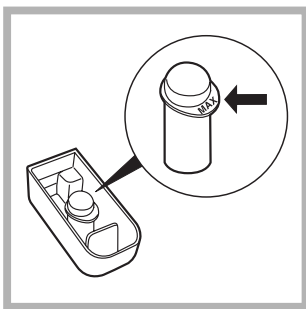
Az öblítőszer ne érjen a rács fölé.

### 4-es berakható tartály: Fehéritőszert


! Ne használjon kézimosószert, mert túlzottan sok hab képződik.

## Fehéritő ciklus

! A hagyományos fehéritést tartós fehér ruhákhoz, a kíméletest pedig színes, szintetikus vagy gyapjú anyagokhoz használjuk.



Tegye be a 4-es berakható tartályt az 1-es rekeszbe. A fehéritőszert betöltése közben vigyázzon arra, hogy az a központi csapon jelzett "max" szintet ne haladja meg (lásd ábra).

Ha csak fehéritést akar végezni, öntse a fehéritőszert a 4-es berakható tartályba, és állítsa be az  Öblítés programot.

Ha a mosás során akar fehériteni, töltsen be a mosószert és az adalékokat, állítsa be a kívánt programot, és kapcsolja be a Fehérités opciót (lásd 55. oldal).

A 4-es berakható tartály használata kizárja az előmosást. Ezen kívül nem lehet fehéritést végezni a 6-es (Selyem) és a Napközbeni 30'-es programmal (lásd 54. oldal).

## Mosandó ruhák előkészítése

- Osztályozza a mosandókat a következők szerint:
  - kelme típusa / címkén lévő szimbólum.
  - színek: válogassa külön a színes ruhákat a fehérektől.
- Ürítse ki a zsebeket, és vizsgálja meg a gombokat.
- Ne lépje túl a mosandók száraz súlyára vonatkozóan megadott értékeket:
  - Tartós anyagok: max. 5 kg
  - Szintetikus anyagok: max. 2,5 kg
  - Kényes anyagok: max. 2 kg
  - Gyapjú: max. 1 kg

### Milyen nehezek a mosandó ruhák?

- 1 lepedő 400-500 g.
- 1 párnahuzat 150-200 g.
- 1 asztalterítő 400-500 g.
- 1 fürdőköpeny 900-1200 g.
- 1 törülköző 150-250 g.

## Különleges bánásmódot igénylő darabok

**Függönyök:** hajtogatva tegye párnahuzatba (vászonzsákba) vagy hálós zacskóba. Külön mossa őket, és ne lépje túl a fél töltésnyi mennyiséget. használja a 6-es programot, amelyik automatikusan kikapcsolja a centrifugálást.

**Toll/pehely ágyneműk és tollkabátok:** ha a benne lévő liba vagy kacsatoll mosógépben mosható. Fordítsa ki a darabokat, és egyszerre legfeljebb 2-3 kg-nyit mosson úgy, hogy egyszer vagy kétszer megismétli az öblítést, és kíméletes centrifugálást használ.

**Gyapjú:** a legjobb eredmény elérése érdekében használjon speciális mosószert (gyapjúmosószert), és ne lépje túl az 1 kg ruhatöltetet.



! A mosógépet a nemzetközi biztonsági szabványoknak megfelelően tervezték és gyártották. Ezeket a figyelmeztetéseket biztonsági okokból írjuk le, és figyelmesen el kell olvasni őket.

## Általános biztonság

- Ezt a készüléket egyfajta háztartási és nem professzionális használatra tervezték, és a funkcióit megváltoztatni nem szabad.
- A mosógépet csak felnőtt használhatja, és csak az e használati utasításban megadott utasítások szerint.
- Ne érjen a géphez mezítláb, illetve vizes vagy nedves kézzel vagy lábbal.
- A csatlakozódugót az aljzatból ne a kábelt, hanem a csatlakozót húzza ki.
- Ne nyissa ki a mosószeradagoló fiókot, ha a mosógép működik.
- Ne nyúljon a leeresztett vízbe, mert forró lehet.
- Semmiképpen ne feszegesse az ajtót: megsérülhet a véletlen nyitást akadályozó biztonsági retesz.
- Hiba esetén semmiképpen se nyúljon a gép belső részeihez, és ne próbálja megjavítani.
- Mindig ügyeljen arra, hogy gyerekek ne mehessenek a működő gép közelébe.
- A mosás során az ajtó meleg lehet.
- Amennyiben a gépet át kell helyezni, két vagy három személy végezze, maximális figyelemmel. Soha sem egyedül, mert a gép nagyon súlyos.
- A mosandó berakása előtt ellenőrizze, hogy a forgódob üres legyen.

## Hulladékelhelyezés

- Csomagolóanyag megsemmisítése: tartsa be a helyi előírásokat, így a csomagolás újrahasznosítható.
- Öreg mosógép kidobása: mielőtt a hulladékok közé helyezné, tegye használhatatlanná úgy, hogy elvágja a hálózati kábelt, és letépi az ajtót.

## Környezetvédelem

### Környezetvédelmet szolgáló technológia

Ha az ajtó üvegén keresztül kevés víz látszik, az azért van, mert az új technológiának köszönhetően az Indesit ak a felénél kevesebb víz is elég ahhoz, hogy maximális tisztítóhatást érjen el: egy olyan cél, amelyet a környezet megóvása érdekében tűztünk ki.

### Takarítson meg mosószert, vizet, energiát és időt

- Annak érdekében, hogy ne pazaroljunk az erőforrásokkal, a mosógépet teljes ruhatöltettel kell használni. Egy teljes ruhatöltettel való mosás két féltöltet helyett, akár 50% energia megtakarítást is lehetővé tehet.
- Az előmosás csak nagyon szennyezett ruhák esetén szükséges. Ha nem használja, azzal mosószert, időt és 5-15% energiát takarít meg.
- Ha a foltokat a mosás előtt folttisztítóval kezeli, és beáztatja, kevesebb szükség lesz a magas hőmérsékletű mosásra. A 60°C-on történő mosás a 90°C helyett, vagy 40°C-on 60°C helyett akár 50% energiamegtakarításhoz is vezethet.
- Ha a mosószert a víz keménysége, a szennyezettség mértéke és a ruha mennyisége alapján helyesen adagolja, elkerüli a pazarlást és nem terheli feleslegesen a környezetet: még, ha biológiailag lebomló fajtájúak is, a mosószerek olyan összetevőket tartalmaznak, amelyek megváltoztatják a természet egyensúlyát. Ezen kívül, kerülje az öblítőszer használataát, amennyire csak lehet.
- Ha a késő délután és a kora hajnal közötti időszakban mos, akkor hozzájárul ahhoz, hogy csökkentse az áramszolgáltató vállalatok terhelését.  
A Késleltető időzítő (lásd 55. oldal) nagyon hasznos a mosás időzítése szempontjából.
- Ha a mosott ruhákat utána szárítógépben szárítja, magas fordulatszámú centrifugálást válasszon. Ha a mosott ruhában kevés a víz, időt és energiát takarít meg a szárítóprogramnál.

HU

Üzembehelyezés

Leírás

Programok

Mosószerek

Óvintézkedések

Karbantartás

Rendellenességek

Szerviz

# Karbantartás és törődés

HU

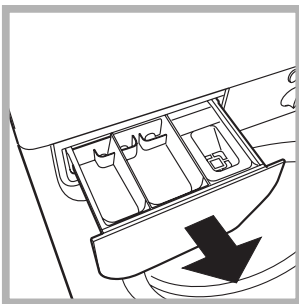
## A víz elzárása és az elektromos áram kikapcsolása

- Minden mosás után zárja el a vízcsapot. Így kíméli a mosógép vízrendszerét, és megszünteti a vízszivárgás kockázatát.
- Húzza ki a hálózati csatlakozódugót az aljzatból, amikor a mosógépet tisztítja vagy karbantartást végez.

## A mosógép tisztítása

A külső részeket és a gumi részeket langyos szappanos vizes ronggyal tisztíthatja. Ne használjon oldószert vagy súrolószert.

## A mosószerezadagoló fiók tisztítása



Vegye ki a fiókot úgy, hogy felemeli és kifelé húzza (lásd ábra). Folyóvíz alatt mossa ki. Ezt a tisztítást gyakran el kell végezni.

## Az ajtó és a forgódob gondozása

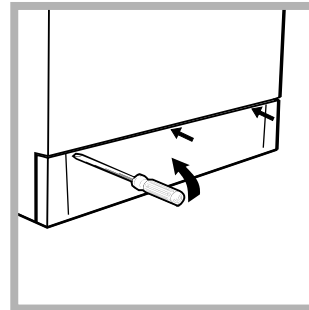
- Az ajtót hagyja mindig részre nyitva, nehogy rossz szagok keletkezzenek.

## A szivattyú tisztítása

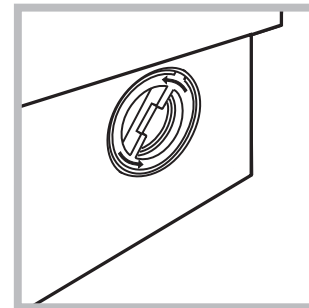
A mosógép öntisztító szivattyúval van felszerelve, melynek nincs szüksége tisztítási és karbantartási műveletekre. Az azonban megtörténhet, hogy kis tárgyak kerülnek (aprópénz, gomb) a szivattyút védő előkamrába, ami a szivattyú alsó részén található.

**!** Győződjön meg róla, hogy a mosóprogram véget ért, és húzza ki a hálózati csatlakozót.

Hogy hozzáférjen az előkamrához:



1. egy csavarhúzó segítségével távolítsa el a burkolópanelt a mosógép elejéről (lásd ábra);



2. az óra járásával ellentétes irányban forgatva csavarja le a fedelet (lásd ábra): természetes, hogy egy kevés víz kifolyik;

3. gondosan tisztítsa ki a belsejét;
4. csavarja vissza a fedelet;
5. szerelje vissza a panelt úgy, hogy mielőtt azt a gép felé nyomná, meggyőződik arról, hogy a horgok a hozzájuk tartozó furatokba illeszkednek.

## A vízbevezető cső ellenőrzése

Évente legalább egyszer ellenőrizze a gumicsövet. Ki kell cserélni, ha repedezett vagy hasadozott: a mosás során a nagy nyomás hirtelen szakadást okozhat.

**!** Soha ne alkalmazzon már használt csöveket.

# Rendellenességek és elhárításuk

Megtörténhet, hogy a mosógép nem működik. Mielőtt felhívna a Szervizt (lásd 60. oldal) ellenőrizze, hogy nem olyan problémáról van szó, amely a következő lista segítségével egyszerűen megoldható.


## Rendellenességek:

## Lehetséges okok / Megoldás:

**A mosógép nem kapcsol be.**

- A hálózati csatlakozódugó nincs bedugva az aljzatba, vagy nem eléggé ahhoz, hogy jól érintkezzen.
- Nincs áram a lakásban.

**A mosási ciklus nem indul el.**

- Az ajtó nincs jól becsukva (a kijelzőn a DOOR felirat olvasható).
- Nem nyomta meg az  billentyűt.
- Nem nyomta meg a START/RESET billentyűt.
- A vízcsap nincs nyitva.
- Az indítás késleltetése van beállítva (Késleltető időzítő, lásd 55. oldal).

**A mosógép nem vesz fel vizet (A kijelzőn H<sub>2</sub>O olvasható).**

- A vízbevezető cső nincs csatlakoztatva a csaphoz.
- A cső meg van törve.
- A vízcsap nincs nyitva.
- A lakásban nincs víz.
- Nincs elegendő nyomás.
- Nem nyomta meg a START/RESET billentyűt.

**A mosógép folytonosan szívja és lereszti a vizet.**

- A leeresztőcső nem a padlószinttől 65 és 100 cm közötti magasságban van felszerelve (lásd 51. oldal).
- A leeresztőcső vége vízbe merül (lásd 51. oldal).
- A fali szifonnak nincs szellőzése.

Ha ezen vizsgálatok után a probléma nem oldódik meg, zárja el a vízcsapot, kapcsolja ki a mosógépet és hívja ki a szervizszolgálatot. Ha a lakás egy épület legfelsőbb emeleteinek egyikén található, lehetséges, hogy a csatorna-szellőző eltömődésének jelensége (szivornyahatás) lépett fel, ezért a mosógép folytonosan szívja és lereszti a vizet. Ezen kellemetlenség elkerülésére a kereskedelmi forgalomban rendelkezésre állnak csatorna-szellőző szelepek.

**A mosógép nem ereszti le a vizet, vagy nem centrifugál.**

- A program nem ereszti le a vizet: némelyik programnál manuálisan kell elindítani (lásd 54. oldal).
- Be van kapcsolva a Vasalj kevesebbet opció: a program befejezéséhez nyomja meg a START/RESET billentyűt (lásd 55. oldal).
- A leeresztőcső meg van törve (lásd 51. oldal).
- A lefolyó el van dugulva.

**A mosógép nagyon rázkódik a centrifugálás alatt.**

- Az üzembehelyezéskor nem távolították el a forgódob rögzítését (lásd 50. oldal).
- A mosógép nem áll vízszintben (lásd 50. oldal).
- A mosógép a bútor és a fal köté van szorítva (lásd 50. oldal).

**A mosógépből elfolyik a víz.**

- A vízbevezető cső nincs jól felcsavarva (lásd 50. oldal).
- A mosószeradagoló fiók eltömődött (a tisztítást lásd a 58. oldalon).
- A leeresztőcső nincs jól rögzítve (lásd 51. oldal).

**Sok hab képződik.**

- A mosószer nem mosógépekhez való (kell, hogy szerepeljen rajta, hogy „gépi”, „kézi vagy gépi mosáshoz”, vagy hasonló).
- Túl sok mosószert használt.

HU

Üzembehelyezés

Leírás

Programok

Mosószer

Övintézkedések

Karbantartás

Rendellenességek

Szerviz

**Mielőtt a Szervizhez fordulna:**

- Győződjön meg arról, hogy a hibát nem tudja maga is elhárítani (*lásd 59. oldal*);
- Újból indítsa el a programot, hogy lássa, elhárította-e a hibát;
- Ellenkező esetben forduljon a megbízott Szakszervizhez: a telefonszámot a garanciajegyen találja.

! Soha ne forduljon nem megbízott szerelőhöz.

**Közölje:**

- a meghibásodás jellegét;
- a mosógép modelljét (Mod.);
- a gyártási számot (Sorsz.).

Ezen információk a mosógép hátsó részére felerősített táblán találhatóak.

GR

ΕΛΛΗΝΙΚΑ

WIE 107

## Περιεχόμενα

### Εγκατάσταση, 62-63

Αποσυσκευασία και οριζόντιωση, 62  
Υδραυλικές και ηλεκτρικές συνδέσεις, 62-63  
Πρώτος κύκλος πλυσίματος, 63  
Τεχνικά στοιχεία, 63

### Περιγραφή του πλυντηρίου, 64-65

Ταμπλό ελέγχου, 64  
Οθόνη, 65  
Πρόγραμμα "MEMO", 65

### Εκκίνηση και Προγράμματα, 66

Εν συντομία: εκκίνηση ενός προγράμματος, 66  
Πίνακας των προγραμμάτων, 66

### Προσωπικές Ρυθμίσεις, 67

Ρυθμίστε το στύψιμο, 67  
Ρύθμιση του Delay Timer, 67  
Ρυθμίστε τη θερμοκρασία, 67  
Λειτουργίες, 67

### Απορρυπαντικά και ρούχα, 68

Θήκη απορρυπαντικών, 68  
Κύκλος λεύκανσης, 68  
Προετοιμασία της πλύσης, 68  
Ειδικά ρούχα, 68

### Προφυλάξεις και συμβουλές, 69

Γενική ασφάλεια, 69  
Διάθεση, 69  
Εξοικονόμηση ενέργειας και σεβασμός του περιβάλλοντος, 69

### Συντήρηση και φροντίδα, 70

Κλείσιμο παροχών νερού και ηλεκτρικού ρεύματος, 70  
Καθαρισμός του πλυντηρίου, 70  
Καθαρισμός του συρταριού απορρυπαντικών, 70  
Φροντίδα της πόρτας και του κάδου, 70  
Καθαρισμός της αντλίας, 70  
Έλεγχος του σωλήνα τροφοδοσίας του νερού, 70

### Προβλήματα και λύσεις, 71

### Τεχνική Υποστήριξη, 72

Πριν καλέσετε την τεχνική υποστήριξη, 72

# Εγκατάσταση

GR

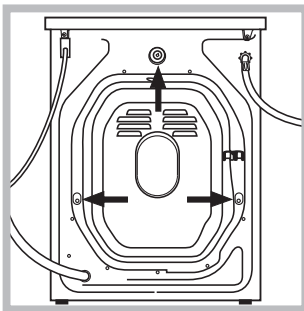
! Είναι σημαντικό να φυλάξετε το εγχειρίδιο αυτό για να μπορείτε να το συμβουλευέστε οποιαδήποτε στιγμή. Σε περίπτωση πώλησης, παραχώρησης ή μετακόμισης, βεβαιωθείτε ότι παραμένει μαζί με το πλυντήριο για να πληροφορεί τον νέο ιδιοκτήτη για τη λειτουργία και τις σχετικές προειδοποιήσεις.

! Διαβάστε προσεκτικά τις οδηγίες: υπάρχουν σημαντικές πληροφορίες για την εγκατάσταση, τη χρήση και την ασφάλεια.

## Αποσυσκευασία και οριζόντιωση

### Αποσυσκευασία

1. Αποσυσκευάστε το πλυντήριο.
2. Ελέγξτε αν το πλυντήριο έχει υποστεί ζημιές κατά τη μεταφορά. Αν έχει υποστεί ζημιές μην το συνδέετε και επικοινωνήστε με τον μεταπωλητή.



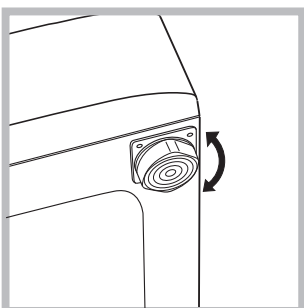
3. Αφαιρέστε τις 3 βίδες προστασίας για τη μεταφορά και το λαστιχάκι με το σχετικό διαχωριστικό, που βρίσκονται στο πίσω μέρος (βλέπε εικόνα).

4. Κλείστε τις οπές με τα πλαστικά πώματα που σας παρέχονται.
5. Με τα ειδικά πώματα κλείστε τις τρεις οπές που βρίσκονται στο κάτω δεξιό τμήμα της πίσω όψης της συσκευής.
6. Διατηρείστε και τα τρία τεμάχια: αν το πλυντήριο χρειαστεί να μεταφερθεί, θα πρέπει να ξαναμονταριστούν.

! Οι συσκευασίες δεν είναι παιχνίδια για μικρά παιδιά.

### Οριζόντιωση

1. Εγκαταστήστε το πλυντήριο σε ένα δάπεδο επίπεδο και ανθεκτικό, χωρίς να το ακουμπήσετε σε τοίχους, έπιπλα ή άλλο.

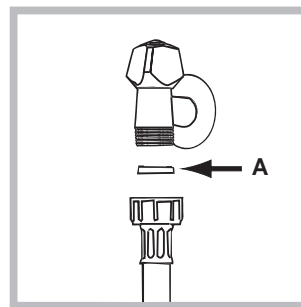


2. Αν το δάπεδο δεν είναι απόλυτα επίπεδο, οριζοντιώστε την συσκευή βιδώνοντας ή ξεβιδώνοντας τις ειδικές βάσεις στο μπροστινό τμήμα της συσκευής (βλέπε εικόνα). Η γωνία κλίσης, μετρημένη στην επιφάνεια εργασίας, δεν πρέπει να ξεπερνάει τις 2°.

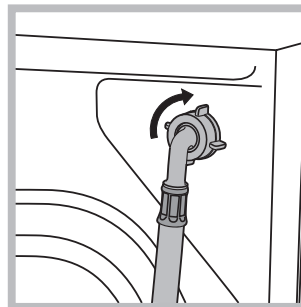
Η σωστή οριζόντιωση προσδίδει σταθερότητα στο μηχάνημα και αποσοβεί δονήσεις, θορύβους και μετατοπίσεις κατά τη λειτουργία. Αν το πλυντήριο τοποθετηθεί πάνω σε μοκέτα ή τάπητα, ρυθμίστε τα ποδαράκια έτσι ώστε να υπάρχει κάτω από το πλυντήριο αρκετός χώρος για τον αερισμό.

## Υδραυλικές και ηλεκτρικές συνδέσεις

### Σύνδεση του σωλήνα τροφοδοσίας νερού



1. Εισάγετε την τσιμούχα A στο άκρο του σωλήνα τροφοδοσίας και βιδώστε τη μια βρύση κρύου νερού με στόμιο σπειρώματος 3/4 gas (βλέπε εικόνα). Πριν την σύνδεση αφήστε το νερό να τρέξει μέχρι αυτό να είναι διαυγές.



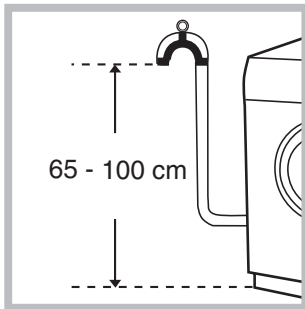
2. Συνδέστε το σωλήνα τροφοδοσίας στο πλυντήριο βιδώνοντάς το στην αντίστοιχη είσοδο νερού, στο πίσω μέρος επάνω δεξιά (βλέπε εικόνα).

3. Βεβαιωθείτε ότι ο σωλήνας δεν είναι τσακισμένος σε κανένα σημείο του.

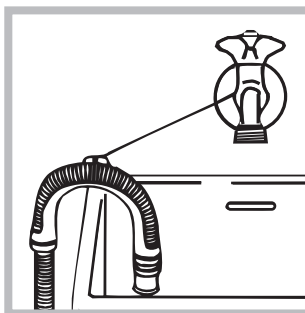
! Η πίεση του νερού πρέπει να κυμαίνεται μεταξύ των τιμών του πίνακα με τα τεχνικά στοιχεία (βλέπε επόμενη σελίδα).

! Αν το μήκος του σωλήνα τροφοδοσίας νερού δεν επαρκεί, θα πρέπει να απευθυνθείτε σε ειδικευμένο κατάστημα ή σε εξουσιοδοτημένο τεχνικό.

## Σύνδεση του σωλήνα αδειάσματος νερού



Συνδέστε τον σωλήνα αδειάσματος νερού χωρίς να τον τσακίσετε σε μια αποχέτευση ή σε μια επιτοίχια αποχέτευση σε ύψος από το έδαφος μεταξύ 65 και 100 cm.



Μπορείτε επίσης να σπηρίξετε τον σωλήνα αδειάσματος νερού στο χείλος ενός νιπτήρα δένοντάς τον στην βρύση (βλέπε εικόνα). Το ελεύθερο άκρο του σωλήνα δεν θα πρέπει να βυθίζεται στο νερό.

! Δεν συνιστάται η χρήση προεκτάσεων σωλήνων. Αν απαιτείται, η προέκταση πρέπει να έχει την ίδια διάμετρο του αρχικού σωλήνα και να μην ξεπερνάει τα 150 cm.

## Ηλεκτρική σύνδεση

Πριν εισάγετε το βύσμα στην ηλεκτρική πρίζα, βεβαιωθείτε ότι:

- η πρίζα διαθέτει γείωση και συμμορφώνεται με τις ισχύουσες προδιαγραφές.
- η πρίζα είναι κατάλληλη για το μέγιστο φορτίο που αναγράφεται στον πίνακα τεχνικών στοιχείων (βλέπε πίνακα).
- Η τάση τροφοδοσίας να κυμαίνεται μεταξύ των τιμών που αναφέρονται στον πίνακα τεχνικών στοιχείων (βλέπε δίπλα).
- Η πρίζα να είναι συμβατή με το βύσμα του πλυντηρίου. Σε αντίθετη περίπτωση, αντικαταστήστε την πρίζα ή το βύσμα.

! Το πλυντήριο δεν πρέπει να εγκαθίσταται σε ανοικτούς χώρους, ακόμα και αν είναι στεγασμένοι γιατί είναι επικίνδυνο να μένει εκτεθειμένο σε βροχή και υγρασία.

! Η πρόσβαση στην πρίζα τροφοδοσίας του πλυντηρίου πρέπει να είναι εύκολη.

! Μη χρησιμοποιείτε προεκτάσεις και πολύπριζα.

! Μην τσακίζετε και μην τοποθετείτε βαριά αντικείμενα πάνω στο καλώδιο τροφοδοσίας.

! Το καλώδιο τροφοδοσίας πρέπει να αντικαθίσταται μόνο από εξουσιοδοτημένους τεχνικούς.

Προσοχή! Η επιχείρηση αποποιείται κάθε ευθύνης σε περίπτωση που οι κανόνες αυτοί δεν τηρούνται.

## Πρώτος κύκλος πλυσίματος

Μετά την εγκατάσταση, πριν τη χρήση, πραγματοποιήστε ένα κύκλο πλυσίματος με απορρυπαντικό και χωρίς ρούχα θέτοντας το πρόγραμμα σε 90°C χωρίς πρόπλυση.

## Τεχνικά στοιχεία

<b>Μοντέλο</b>	WIE 107
<b>Διαστάσεις</b>	πλάτος cm 59,5 ύψος cm 85 βάθος cm 52,5
<b>Χωρητικότητα</b>	από 1 έως 5 kg
<b>Ηλεκτρικές συνδέσεις</b>	τάση 220/230 Volt 50 Hz μέγιστη απορροφούμενη ισχύς 1850 W
<b>Συνδέσεις νερού</b>	μέγιστη πίεση 1 MPa (10 bar) Ελάχιστη πίεση 0,05 MPa (0,5 bar) χωρητικότητα του κάδου 46 λίτρα
<b>Ταχύτητα στυσίματος</b>	μέχρι 1000 στροφές το λεπτό
<b>Προγράμματα ελέγχου σύμφωνα με τον κανονισμό IEC456</b>	πρόγραμμα 2; θερμοκρασία 60°C; εκτελούμενο με 5 kg μπουγάδας.
<b>CE</b>	Η συσκευή αυτή είναι σύμφωνη με τις ακόλουθες οιντοτικές Οδηγίες: - 73/23/CEE της 19/02/73 (Χαμηλή Τάση) και μεταγενέστερες τροποποιήσεις - 89/336/CEE της 03/05/89 (Ηλεκτρομαγνητική Συμβατότητα) και μεταγενέστερες τροποποιήσεις

GR

Εγκατάσταση

Περιγραφή

Προγράμματα

Απορρυπαντικά

Προφυλάξεις

Συντήρηση

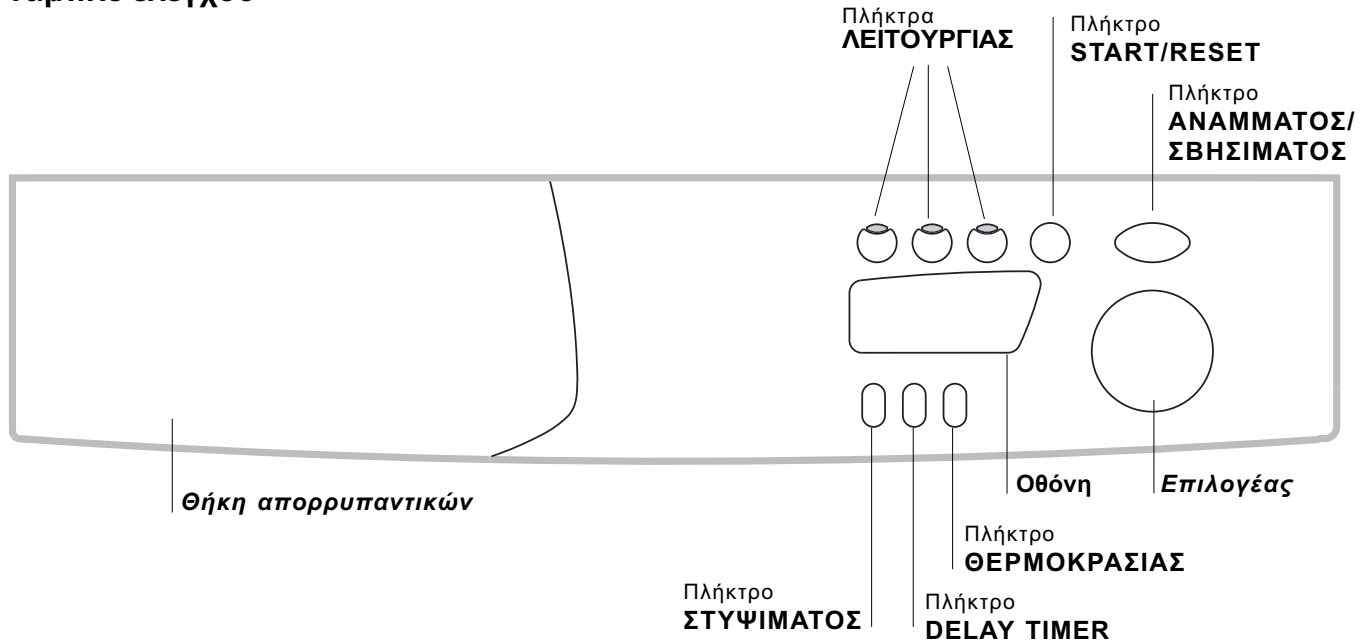
Ανωμαλίες

Υποστήριξη

# Περιγραφή του πλυντηρίου

GR

## Ταμπλό ελέγχου



**Θήκη απορρυπαντικών** για την προσθήκη απορρυπαντικών και πρόσθετων (βλέπε σελ. 68).

Πλήκτρο **ΣΤΥΨΙΜΑΤΟΣ** για την επιλογή της ταχύτητας ή την απενεργοποίηση του στυψίματος (βλέπε σελ. 67).

Κουμπί **DELAY TIMER** για καθυστέρηση της εκκίνησης του επιλεγμένου προγράμματος μέχρι ένα μέγιστο 24 ωρών (βλέπε σελ. 67).

Πλήκτρο **ΘΕΡΜΟΚΡΑΣΙΑΣ** για την επιλογή της θερμοκρασίας πλύσης (βλέπε σελ. 67).

**Οθόνη** για τον προγραμματισμό του πλυντηρίου και την παρακολούθηση της εξέλιξης των πλύσεων (βλέπε επόμενη σελίδα).

Πλήκτρα **ΛΕΙΤΟΥΡΓΙΑΣ**: για να επιλέξετε τις διαθέσιμες λειτουργίες. Το πλήκτρο που αντιστοιχεί στην επιλεγμένη λειτουργία θα παραμείνει αναμμένο.

Πλήκτρο **START/RESET** για την εκκίνηση ή την ακύρωση των επιλεγμένων προγραμμάτων.

Πλήκτρο **ΑΝΑΜΜΑΤΟΣ/ΣΒΗΣΙΜΑΤΟΣ** για να ανάβετε και να σβήνετε το πλυντήριο.

**Πλήκτρο επιλογής** προγραμμάτων. Κατά την διάρκεια της πλύσης, το πλήκτρο παραμένει ακίνητο.



## Οθόνη

Εκτός του ότι αποτελεί ένα χρήσιμο στοιχείο για τον προγραμματισμό του μηχανήματος (βλέπε σελ. 67), η οθόνη παρέχει πληροφορίες για τον κύκλο πλυσίματος.



Αφού πατήσετε το κουμπί START/RESET για να εκκινήσετε το πρόγραμμα, στην οθόνη απεικονίζεται ο χρόνος που υπολείπεται για το τέλος του κύκλου. Στην περίπτωση που τέθηκε μια καθυστέρηση στην ώρα εκκίνησης (Delay Timer, βλέπε σελ. 67), αυτό θα απεικονιστεί.

### Πόρτα ασφαλισμένη:


Το αναμμένο σύμβολο δείχνει ότι η πόρτα είναι ασφαλισμένη για την παρεμπόδιση τυχαιών ανοιγμάτων. Για την αποφυγή ζημιών θα πρέπει να περιμένετε να σβήσει το σύμβολο πριν ανοίξετε την πόρτα.


Στο τέλος του προγράμματος απεικονίζεται η ένδειξη END.

! Σε περίπτωση προβλήματος εμφανίζεται ένας κωδικός σφάλματος, για παράδειγμα F-01, τον οποίο θα πρέπει να αναφέρετε στην Τεχνική Υποστήριξη (βλέπε σελ. 72).

### Πρόγραμμα “MEMO”

Το πρόγραμμα αυτό επιτρέπει την αποθήκευση του κύκλου του επιθυμητού πλυσίματος ή του πιο χρησιμοποιούμενου.

Αρκεί να επιλέξετε το επιθυμητό πρόγραμμα και αφού το εκκινήσετε στρέψτε τον ΕΠΙΛΟΓΕΑ στη θέση , αυτόματα ο κύκλος θα αποθηκευτεί και στην οθόνη θα εμφανιστεί η ένδειξη “MEMO” να αναβοσβήνει για μερικά δευτερόλεπτα.

Στη συνέχεια μπορείτε να εκκινήσετε τον κύκλο “MEMO” στρέφοντας απλά τον ΕΠΙΛΟΓΕΑ στη θέση . Θα μπορούν να απεικονιστούν οι τιμές θερμοκρασίας/στυψίματος/ delay timer πιέζοντας τα αντίστοιχα κουμπιά, θα μπορούν επίσης και να τροποποιηθούν, όμως η μεταβολή αυτή θα είναι έγκυρη για το σε εξέλιξη πρόγραμμα και δεν θα αποθηκευτεί στον κύκλο “MEMO”.

Αν θέλετε να αποθηκεύσετε ένα νέο κύκλο πλυσίματος επαναλάβετε τις παραπάνω διαδικασίες.

GR

Εγκατάσταση

Περιγραφή

Προγράμματα

Απορρυπαντικά

Προφυλάξεις

Συντήρηση

Ανωμαλίες

Υποστήριξη

# Εκκίνηση και Προγράμματα





GR

## Εν συντομία: εκκίνηση ενός προγράμματος

1. Ανάψτε το πλυντήριο πιέζοντας το πλήκτρο (⏻).
2. Φορτώστε τη μπουγάδα και κλείστε την πόρτα.
3. Επιλέξτε με τον επιλογέα το επιθυμητό πρόγραμμα. Στην οθόνη θα φανεί ο εκτιμώμενος χρόνος. Θερμοκρασία και στύψιμο τίθενται αυτόματα με βάση το πρόγραμμα (για την τροποποίησή τους βλέπε σελ. 67).

4. Επιλέξτε ενδεχόμενες λειτουργίες (βλέπε σελ. 67).
5. Τοποθετήστε το απορρυπαντικό και τυχόν πρόσθετα (βλέπε σελ. 68).
6. Εκκινήστε το πρόγραμμα πιέζοντας το κουμπί START/RESET.  
Για την ακύρωση κρατήστε πατημένο το κουμπί START/RESET για τουλάχιστον 2 δευτερόλεπτα.
7. Στο τέλος του προγράμματος εμφανίζεται η ένδειξη END. Βγάλετε τα ρούχα και αφήστε την πόρτα μισόκλειστη για να στεγνώσει ο κάδος.
8. Σβήστε το πλυντήριο πιέζοντας το πλήκτρο (⏻).

## Πίνακας των προγραμμάτων

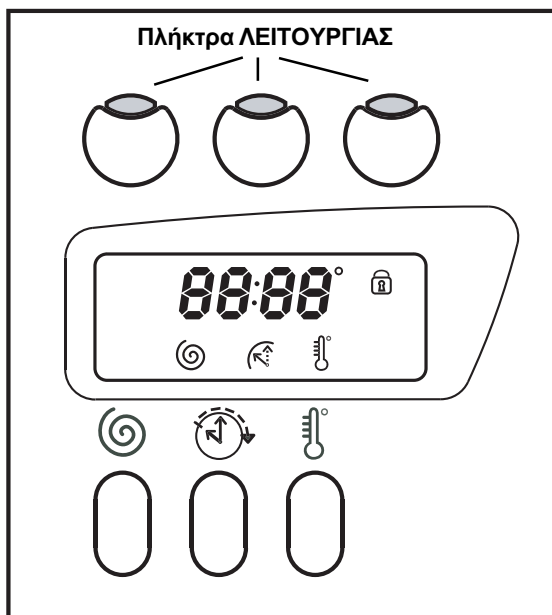
Φύση των υφασμάτων και των λεκέδων	Προγρά.	Θερμοκρασία	Απορρυπαντικό		Μαλακτικό	Δυνατότητα Ξελεκιάσματος / Χλωρίνη	Διάρκεια του κύκλου (λεπτά)	Περιγραφή του κύκλου πλυσίματος
			πρόπλ.	πλύσ.				
<b>Στάνταρ</b>								
Λευκά εξαιρετικά λερωμένα (σεντόνια, τραπεζομάντιλα, κλπ.)	1	90°C	•	•	•		135	Πρόπλυση, πλύσιμο, ξεβγάλματα, ενδιάμεσα στυψίματα και τελικό
Λευκά εξαιρετικά λερωμένα (σεντόνια, τραπεζομάντιλα, κλπ.)	2	90°C		•	•	Απαλό / Παραδοσιακό	125	Πλύσιμο, ξεβγάλματα, ενδιάμεσα στυψίματα και τελικό
Λευκά και χρωματιστά ανθεκτικά, πολύ λερωμένα	2	60°C		•	•	Απαλό / Παραδοσιακό	110	Πλύσιμο, ξεβγάλματα, ενδιάμεσα στυψίματα και τελικό
Λευκά και χρωματιστά ευαίσθητα, πολύ λερωμένα	2	40°C		•	•	Απαλό / Παραδοσιακό	105	Πλύσιμο, ξεβγάλματα, ενδιάμεσα στυψίματα και τελικό
Λευκά λίγο λερωμένα και ευαίσθητα χρώματα (πουκάμισα, μπλουζες, κλπ.)	3	40°C		•	•	Απαλό / Παραδοσιακό	70	Πλύσιμο, ξεβγάλματα, ενδιάμεσα στυψίματα και τελικό
Χρώματα ανθεκτικά, πολύ λερωμένα (ασπρόρουχα για νεογέννητα, κλπ.)	4	60°C		•	•	Απαλό	75	Πλύσιμο, ξεβγάλματα, ατσαλάκωτα ή απαλό στύψιμο
Χρώματα ανθεκτικά, πολύ λερωμένα (ασπρόρουχα για νεογέννητα, κλπ.)	4	40°C		•	•	Απαλό	60	Πλύσιμο, ξεβγάλματα, ατσαλάκωτα ή απαλό στύψιμο
Μάλλινα	5	40°C		•	•		50	Πλύσιμο, ξεβγάλματα, ατσαλάκωτα και απαλό στύψιμο
Υφάσματα πολύ ευαίσθητα (κουρτίνες, μεταξωτά, βισκόζη, κλπ.)	6	30°C		•	•		45	Πλύσιμο, ξεβγάλματα, ατσαλάκωτα ή άδειασμα
<b>Time 4 you</b>								
Λευκά και χρωματιστά ανθεκτικά, πολύ λερωμένα	7	60°C		•	•		65	Πλύσιμο, ξεβγάλματα, ενδιάμεσα στυψίματα και τελικό
Λευκά λίγο λερωμένα και ευαίσθητα χρώματα (πουκάμισα, μπλουζες, κλπ.)	8	40°C		•	•		55	Πλύσιμο, ξεβγάλματα, ενδιάμεσα στυψίματα και τελικό
Χρώματα ευαίσθητα (ρούχα όλων των τύπων ελαφρά λερωμένα)	9	40°C		•	•		45	Πλύσιμο, ξεβγάλματα, και απαλό στύψιμο
Χρώματα ευαίσθητα (ρούχα όλων των τύπων ελαφρά λερωμένα)	10	30°C		•	•		30	Πλύσιμο, ξεβγάλματα, και απαλό στύψιμο
<b>Sport</b>								
Αθλητικά παπούτσια (MAX. 2 ζεύγη.)	11	30°C		•	•		50	Πλύσιμο σε κρύο νερό (χωρίς απορρυπαντικό), πλύσιμο, ξεβγάλματα, και απαλό στύψιμο
Υφάσματα για αθλητική ένδυση (Φόρμες, παντελονάκια, κλπ.)	12	30°C		•	•		60	Πλύσιμο, ξεβγάλματα, ενδιάμεσα στυψίματα και τελικό
<b>MEMO</b>		Επιτρέπει την αποθήκευση οποιουδήποτε τύπου πλυσίματος (βλέπε σελ. 65).						
<b>ΕΠΙ ΜΕΡΟΥΣ ΠΡΟΓΡΑΜΜΑΤΑ</b>								
Ξέβγαλμα					•	Απαλό / Παραδοσιακό		Ξέβγαλματα και στύψιμο
Στύψιμο								Άδειασμα και στύψιμο
Άδειασμα								Άδειασμα

## Σημειώσεις

- Για τα προγράμματα 7- 8 προτείνεται να μην ξεπεράσετε ποσότητα μπουγάδας 3,5 kg.
- Για το πρόγραμμα 12 προτείνεται να μην ξεπεράσετε ποσότητα μπουγάδας 2 kg.
- Για την περιγραφή του «ατσαλάκωτα»: βλέπε λιγότερο Σιδέρωμα, σελίδα δίπλα. Τα στοιχεία που αναφέρονται στον πίνακα είναι ενδεικτικά.

## Ειδικό πρόγραμμα

**Ημερήσιο 30'** (πρόγραμμα 10 για Συνθετικά) μελετήθηκε για το πλύσιμο ρούχων ελαφρά λερωμένων σε σύντομο χρόνο: διαρκεί μόνο 30 λεπτά και σας εξοικονομεί χρόνο και ενέργεια. Θέτοντας το πρόγραμμα (10 σε 30°C) μπορείτε να πλύνετε μαζί υφάσματα διαφορετικής φύσης (εκτός μάλλινων και μεταξωτών) με ένα μέγιστο φορτίο 3 kg. *Συνιστάται η χρήση υγρού απορρυπαντικού.*



## Ρυθμίστε το στύψιμο

Αν κατά την έναρξη λειτουργίας του μηχανήματος ο ΕΠΙΛΟΓΕΑΣ είναι τοποθετημένος σε ένα πρόγραμμα που προβλέπει το στύψιμο, το εικονίδιο εμφανίζεται σταθερό. Πιέζοντας το κουμπί απεικονίζεται η μέγιστη επιτρεπτή ταχύτητα στύψιματος για το επιλεγμένο πρόγραμμα και το εικονίδιο αναβοσβήνει. Πιέζοντάς το περισσότερο οι τιμές μειώνονται μέχρι το OFF, που δείχνει τον αποκλεισμό του στύψιματος (συνεχίστε να πιέζετε για να επιστρέψετε στην υψηλότερη τιμή). Σταματήστε στην επιθυμητή ταχύτητα, μετά από 2 δευτερόλεπτα περίπου η επιλογή γίνεται δεκτή: το σύμβολο παραμένει σταθερό. Η ρύθμιση της ταχύτητας στύψιματος είναι ενεργή με όλα τα προγράμματα πλύσης εκτός από το 6 και το πρόγραμμα αδειάσματος.

## Ρύθμιση του Delay Timer

Πιέζοντας το κουμπί στην οθόνη απεικονίζεται η ένδειξη OFF και το σχετικό σύμβολο αναβοσβήνει. Πιέζοντας ακόμη 1 φορά το κουμπί εμφανίζεται "1h" δηλαδή καθυστέρηση μιας ώρας και συνεχίζετε έτσι μέχρι 24h. Σταματήστε στην επιθυμητή "καθυστέρηση", μετά από 2 δευτερόλεπτα περίπου η επιλογή γίνεται δεκτή. Μετά στην οθόνη απεικονίζεται ο προβλεπόμενος χρόνος για το επιλεγμένο πρόγραμμα

και το σύμβολο παραμένει αναμμένο. Πιέζοντας τώρα το κουμπί START/RESET επανεμφανίζεται η τιμή της επιλεγμένης "καθυστέρησης" που μειώνει κάθε ώρα μέχρι την έναρξη του κύκλου, στη φάση αυτή μπορείτε να τροποποιήσετε την τιμή της "καθυστέρησης" μόνο μειώνοντάς τη. Η ρύθμιση του Delay Timer είναι ενεργή με όλα τα προγράμματα.

## Ρυθμίστε τη θερμοκρασία

Αν κατά την έναρξη λειτουργίας του μηχανήματος ο ΕΠΙΛΟΓΕΑΣ είναι τοποθετημένος σε ένα πρόγραμμα που προβλέπει τη ρύθμιση της θερμοκρασίας, το εικονίδιο εμφανίζεται σταθερό. Πιέζοντας το κουμπί απεικονίζεται η μέγιστη επιτρεπτή θερμοκρασία για το επιλεγμένο πρόγραμμα και το εικονίδιο αναβοσβήνει. Πιέζοντάς το περισσότερο η θερμοκρασία μειώνεται μέχρι το OFF, που δείχνει το εν ψυχρώ πλύσιμο (συνεχίστε να πιέζετε για να επιστρέψετε στην υψηλότερη τιμή). Σταματήστε στην επιθυμητή τιμή, μετά από 2 δευτερόλεπτα περίπου η επιλογή γίνεται δεκτή: το σύμβολο παραμένει σταθερό. Η ρύθμιση της θερμοκρασίας είναι ενεργή με όλα τα προγράμματα πλύσης.

## Λειτουργίες

Οι διάφορες λειτουργίες πλυσίματος που προβλέπονται από το πλυντήριο επιτρέπουν την επίτευξη του καθαρισμού και του λευκού που επιθυμείτε. Για την ενεργοποίηση των λειτουργιών:

1. πιέστε το πλήκτρο που αντιστοιχεί στην επιθυμητή λειτουργία, σύμφωνα με τον παρακάτω πίνακα;
2. Το άναμμα του σχετικού πλήκτρου σηματοδοτεί ότι η λειτουργία είναι ενεργή.

Σημείωση: Το γρήγορο αναβοσβήσιμο του πλήκτρου δείχνει ότι η σχετική λειτουργία δεν μπορεί να επιλεγεί για το επιλεγμένο πρόγραμμα.

Στην περίπτωση που επιλεγεί μια λειτουργία μη συμβατή με μια άλλη που επιλέχθηκε προηγουμένως θα παραμείνει ενεργή μόνο η τελευταία επιλογή.

Λειτουργίες	Αποτέλεσμα	Παρατηρήσεις για τη χρήση	Ενεργή με τα προγράμματα:
<b>Λευκάνσεις</b>	Κύκλος λεύκανσης κατάλληλος για την απομάκρυνση των πλέον ανθεκτικών λεκέδων.	Θυμηθείτε να χύσετε τη χλωρίνη στην πρόσθετη θήκη 4 (βλέπε σελ. 68). δεν είναι συμβατή η λειτουργία <b>Λιγότερο σιδέρωμα</b> .	2, 3, 4, <b>Ξεβγάλματα</b> .
<b>Extra Ξεβγάλα</b>	Αυξάνει την αποτελεσματικότητα του ξεβγάλματος.	Προτείνεται με το πλυντήριο τελείως γεμάτο ή με υψηλές δόσεις απορρυπαντικού.	1, 2, 3, 4, 7, 8, 9, 11, 12, <b>Ξεβγάλματα</b> .
<b>Λιγότερο σιδέρωμα</b>	Μειώνει τις πτυχώσεις στα υφάσματα, διευκολύνοντας το σιδέρωμα.	Επιλέγοντας τη λειτουργία αυτή, τα προγράμματα 4, 5, 6 διακόπτονται με τη μπουγάδα σε μούλιασμα (Χωρίς τσαλάκωμα) και το σχετικό κουμπί αναβοσβήνει. - Για να ολοκληρώσετε τον κύκλο πιέστε το κουμπί START/RESET ή το κουμπί <b>Λιγότερο σιδέρωμα</b> . - για τη διενέργεια μόνο του αδειάσματος τοποθετήστε τον επιλογέα στο σχετικό σύμβολο  και πιέστε το κουμπί START/RESET. δεν είναι συμβατή η λειτουργία <b>Λευκάνσεις</b>	3, 4, 5, 6, 7, 8, 9, <b>Ξεβγάλματα</b> .

GR

Εγκατάσταση

Περιγραφή

Προγράμματα

Απορρυπαντικά

Προφυλάξεις

Συντήρηση

Ανωμαλίες

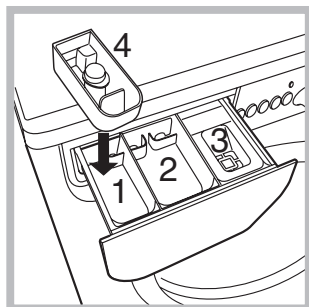
Υποστήριξη

# Απορρυπαντικά και ρούχα

GR

## Θήκη απορρυπαντικών

Το καλό αποτέλεσμα του πλυσίματος εξαρτάται επίσης και από τη σωστή δοσολογία του απορρυπαντικού: υπερβάλλοντας δεν πλένουμε αποτελεσματικότερα και επιπλέον συντελούμε στη δημιουργία κρούστας στα εσωτερικά μέρη του πλυντηρίου και στη μόλυνση του περιβάλλοντος.



Βγάλτε τη θήκη απορρυπαντικών και εισάγετε το απορρυπαντικό ή το πρόσθετο ως εξής.

### Θήκη 1: Απορρυπαντικό για πρόπλυση (σε σκόνη)

Πριν τοποθετήσετε το απορρυπαντικό, βεβαιωθείτε ότι έχει εισαχθεί η πρόσθετη θήκη 4.

### Θήκη 2: Απορρυπαντικό για πλύσιμο (σε σκόνη ή υγρό)

Το υγρό απορρυπαντικό τοποθετείται μόνο πριν την έναρξη της πλύσης.

### Θήκη 3: Πρόσθετα (μαλακτικό, κλπ.)

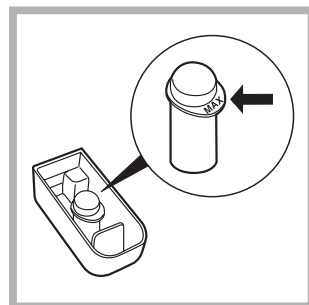
Το μαλακτικό δεν πρέπει να διαφεύγει από το πλέγμα.

### Θήκη πρόσθετη 4: Χλωρίνη

! Μη χρησιμοποιείτε απορρυπαντικά για το πλύσιμο στο χέρι, διότι παράγουν πολύ αφρό.

## Κύκλος λεύκανσης

! Η παραδοσιακή χλωρίνη χρησιμοποιείται για τα λευκά ανθεκτικά υφάσματα, η **απαλή** για τα χρωματιστά υφάσματα, τα συνθετικά και τα μάλλινα.



Εισάγετε την πρόσθετη θήκη 4, που σας παρέχεται, στη θήκη 1. Στη δοσολογία της χλωρίνης μην ξεπερνάτε τη στάθμη "max" που φαίνεται στον κεντρικό πείρο (βλέπε εικόνα).

Για την διενέργεια μόνο της λεύκανσης, τοποθετήστε την χλωρίνη στην πρόσθετη θήκη 4 και επιλέξτε το αντίστοιχο πρόγραμμα Ξέβγαλα

Για λεύκανση κατά την πλύση, τοποθετήστε το απορρυπαντικό και τα πρόσθετα, επιλέξτε το επιθυμητό πρόγραμμα και ενεργοποιήστε την επιλογή Λεύκανση (βλέπε σελ. 67).

Η χρήση της πρόσθετης θήκης 4 αποκλείει την πρόπλυση. Επιπλέον δεν μπορείτε να διενεργήσετε τη λεύκανση με τα προγράμματα 6 (Μεταξωτά) και Ημερήσιο 30' (βλέπε σελ. 66).

## Προετοιμασία της πλύσης

- Χωρίστε τα ρούχα ανάλογα:
  - με το είδος του υφάσματος/ το σύμβολο της ετικέτας.
  - τα χρώματα: χωρίστε τα χρωματιστά ρούχα από τα λευκά.
- Αδειάστε τις τσέπες και ελέγξτε τα κουμπιά.
- Μην ξεπερνάτε τις υποδεικνυόμενες τιμές, σε σχέση με το βάρος των ρούχων που πρόκειται να πλυθούν:
  - Ανθεκτικά υφάσματα: max 5 kg
  - Συνθετικά υφάσματα: max 2,5 kg
  - Ευαίσθητα υφάσματα: max 2 kg
  - Μάλλινα: max 1 kg

### Πόσο ζυγίζουν τα ρούχα?

- 1 σεντόνι 400-500 gr.
- 1 μαξιλαροθήκη 150-200 gr.
- 1 τραπεζομάντιλο 400-500 gr.
- 1 μπουρνούζι 900-1.200 gr.
- 1 πετσέτα 150-250 gr.

## Ειδικά ρούχα

**Κουρτίνες:** διπλώστε τις μέσα σε ένα μαξιλάρι ή σε ένα δικτυωτό σακούλι. Πλύνετε τις μόνες χωρίς να ξεπεράσετε το μισό φορτίο. Χρησιμοποιήστε το πρόγραμμα 6 που αποκλείει αυτόματα το στύψιμο.

**Παπλώματα και μπουφάν:** αν το γέμισμα είναι χήνας ή πάπιας μπορούν να πλυθούν στο πλυντήριο. Γυρίστε τα ρούχα από την ανάποδη και επιλέξτε μέγιστο φορτίο 2-3 kg, επαναλαμβάνοντας το ξέβγαλα μια ή δύο φορές και χρησιμοποιώντας το απαλό στύψιμο.

**Μάλλινα:** για καλύτερα αποτελέσματα χρησιμοποιήστε ειδικό απορρυπαντικό και μην ξεπερνάτε το 1kg φορτίο.

**!** Το πλυντήριο σχεδιάστηκε και κατασκευάστηκε σύμφωνα με τους διεθνείς κανόνες ασφαλείας. Αυτές οι προειδοποιήσεις παρέχονται για λόγους ασφαλείας και πρέπει να διαβάζονται προσεκτικά.

## Γενική ασφάλεια

- Η συσκευή αυτή σχεδιάστηκε για οικιακή χρήση, μη επαγγελματική και οι λειτουργίες της δεν πρέπει να αλλοιωθούν.
- Το πλυντήριο πρέπει να χρησιμοποιείται μόνο από ενήλικα άτομα και σύμφωνα με τις οδηγίες που αναφέρονται στο παρόν εγχειρίδιο.
- Μην αγγίζετε το μηχάνημα με γυμνά πόδια ή με τα χέρια ή τα πόδια βρεγμένα.
- Μην βγάζετε το βύσμα από την ηλεκτρική πρίζα τραβώντας το καλώδιο, αλλά να πιάνετε την πρίζα.
- Μην ανοίγετε το συρταράκι απορρυπαντικών ενώ το μηχάνημα είναι σε λειτουργία.
- Μην αγγίζετε το νερό αδειάσματος, αφού μπορεί να φτάσει σε υψηλές θερμοκρασίες.
- Μην ζορίζετε σε καμία περίπτωση την πόρτα: θα μπορούσε να χαλάσει ο μηχανισμός ασφαλείας που προστατεύει από τυχαία ανοίγματα.
- Σε περίπτωση βλάβης, σε καμία περίπτωση να μην επεμβαίνετε στους εσωτερικούς μηχανισμούς για να προσπαθήσετε να την επισκευάσετε.
- Να ελέγχετε πάντα τα παιδιά να μην πλησιάζουν στο μηχάνημα όταν αυτό λειτουργεί.
- Κατά το πλύσιμο η πόρτα τείνει να θερμαίνεται.
- Αν το πλυντήριο πρέπει να μετατοπιστεί, συνεργαστείτε δύο ή τρία άτομα με τη μέγιστη προσοχή. Ποτέ μόνοι σας γιατί το μηχάνημα είναι πολύ βαρύ.
- Πριν εισάγετε τα ρούχα για πλύσιμο, ελέγξτε αν ο κάδος είναι άδειος.

## Διάθεση

- Διάθεση του υλικού συσκευασίας: τηρείστε τους τοπικούς κανονισμούς, ώστε οι συσκευασίες να μπορούν να επαναχρησιμοποιηθούν.

- Διάθεση του παλιού πλυντηρίου: πριν το πετάξετε, καταστήστε το μη χρησιμοποιήσιμο κόβοντας το καλώδιο ηλεκτρικής τροφοδοσίας και βγάζοντας την πόρτα.

## Εξοικονόμηση ενέργειας και σεβασμός του περιβάλλοντος

### Τεχνολογία στην υπηρεσία του περιβάλλοντος

Αν στην πόρτα φαίνεται λίγο νερό είναι γιατί με τη νέα τεχνολογία Indesit φτάσει λιγότερο από το μισό του νερού για να έχετε το βέλτιστο πλύσιμο: ένας στόχος που επιτεύχθηκε για το σεβασμό του περιβάλλοντος.

### Εξοικονόμηση απορρυπαντικού, νερού, ενέργειας και χρόνου

- Για να μην ξοδεύετε πόρους θα πρέπει να χρησιμοποιείτε το πλυντήριο με το μέγιστο φορτίο. Ένα πλήρες φορτίο στη θέση δύο μισών σας εξοικονομεί μέχρι το 50% ενέργειας.
- Η πρόπλυση είναι αναγκαία μόνο τα ασπρόρουχα που είναι πολύ λερωμένα. Αποφεύγοντάς τη εξοικονομείτε απορρυπαντικό, χρόνο, νερό και από 5 έως 15% ενέργειας.
- Περνώντας τους λεκέδες με ένα καθαριστικό ή αφήνοντάς τους σε μούλιασμα πριν το πλύσιμο, μειώνεται η αναγκαιότητα πλυσίματος σε υψηλές θερμοκρασίες. Ένα πρόγραμμα σε 60°C αντί των 90°C ή ένα σε 40°C αντί των 60°C, σας εξοικονομεί μέχρι 50% ενέργειας.
- Να δοσολογείτε καλά το απορρυπαντικό με βάση την σκληρότητα του νερού, το βαθμό βρωμιάς και την ποσότητα της μπουγάδας ώστε να αποσοβείτε σπατάλες και να προστατεύετε το περιβάλλον: ακόμα και τα βιοδιασπώμενα απορρυπαντικά περιέχουν στοιχεία που αλλοιώνουν την ισορροπία στην φύση. Επιπλέον να αποφεύγετε το μέγιστο δυνατό το μαλακτικό.
- Πλένοντας αργά το απόγευμα μέχρι τις πρώτες πρωινές ώρες συμβάλλετε στην μείωση του απαιτούμενου ηλεκτρικού φορτίου από πλευράς επιχειρήσεων ηλεκτρικής ενέργειας. Η δυνατότητα Delay Timer (βλέπε σελ. 67) βοηθάει πολύ στην οργάνωση των πλυσιμάτων με την έννοια αυτή.
- Αν η μπουγάδα πρέπει να στεγνώσει σε ένα στεγνωτήριο, επιλέξτε υψηλή ταχύτητα στυψίματος. Λίγο νερό στην μπουγάδα σας εξοικονομεί χρόνο και ενέργεια στο πρόγραμμα στεγνώματος.

GR

Εγκατάσταση

Περιγραφή

Πρόγραμματα

Απορρυπαντικά

Προφυλάξεις

Συντήρηση

Ανωμαλίες

Υποστήριξη

# Συντήρηση και φροντίδα

GR

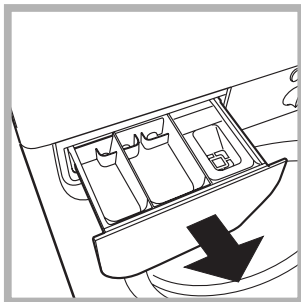
## Κλείσιμο παροχών νερού και ηλεκτρικού ρεύματος

- Κλείνετε την βρύση μετά από κάθε πλύσιμο. Έτσι περιορίζεται η φθορά της υδραυλικής εγκατάστασης του πλυντηρίου και αποσοβείται ο κίνδυνος απωλειών.
- Βγάλετε το βύσμα από το ρεύμα όταν καθαρίζετε το πλυντήριο και κατά τις εργασίες συντήρησης.

## Καθαρισμός του πλυντηρίου

Το εξωτερικό μέρος και τα λαστιχένια μέρη μπορούν να καθαρίζονται με ένα πανί βρεγμένο με χλιαρό νερό και σαπούνι. Μη χρησιμοποιείτε διαλύτες ή αποξυστικά.

## Καθαρισμός του συρταριού απορρυπαντικών



Τραβήξτε το συρτάρι ανασηκώνοντάς το και τραβώντας το προς τα έξω (βλέπε εικόνα). Πλένετέ το κάτω από τρεχούμενο νερό. Ο καθαρισμός αυτός διενεργείται συχνά.

## Φροντίδα της πόρτας και του κάδου

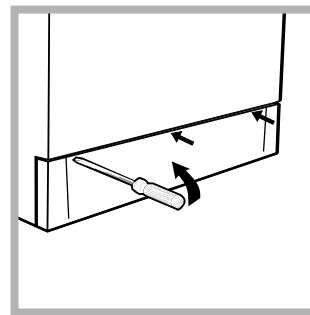
- Να αφήνετε πάντα μισόκλειστη την πόρτα για να μην παράγονται δυσοσμίες.

## Καθαρισμός της αντλίας

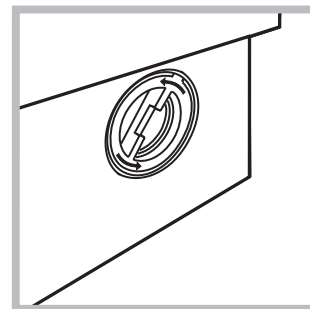
Το πλυντήριο διαθέτει μια αντλία αυτοκαθαριζόμενη που δεν χρειάζεται συντήρηση. Μπορεί όμως να τύχει να πέσουν μικρά αντικείμενα (κέρματα, κουμπιά) στον προθάλαμο που προστατεύει την αντλία, που βρίσκεται στο κάτω μέρος αυτής.

**!** Βεβαιωθείτε ότι ο κύκλος πλυσίματος έχει τελειώσει και βγάλετε το βύσμα.

Για να έχετε πρόσβαση στον προθάλαμο:



1. αφαιρέστε το ταμπλό κάλυψης στο πρόσθιο πλευρό του πλυντηρίου με τη βοήθεια ενός κατσαβιδιού (βλέπε εικόνα)



2. ξεβιδώστε το καπάκι στρέφοντάς το αριστερόστροφα (βλέπε εικόνα): είναι φυσικό να βγαίνει λίγο νερό.

3.καθαρίστε επιμελώς το εσωτερικό

4.ξαναβιδώστε το καπάκι

5.ξαναμοντάρετε το ταμπλό όντας σίγουροι, πριν το σπρώξετε προς το μηχάνημα, ότι έχετε εισάγει τα γαντζάκια στις αντίστοιχες εσοχές.

## Έλεγχος του σωλήνα τροφοδοσίας του νερού

Ελέγχετε το σωλήνα τροφοδοσίας τουλάχιστον μια φορά ετησίως. Αν παρουσιάζει σκασίματα και σχισμές αντικαθίσταται: κατά τα πλυσίματα οι ισχυρές πιέσεις θα μπορούσαν να προκαλέσουν ξαφνικά σπασίματα.

**!** Μη χρησιμοποιείτε ποτέ σωλήνες χρησιμοποιημένους.

Μπορεί να συμβεί το πλυντήριο να μη λειτουργεί. Πριν τηλεφωνήσετε στην Υποστήριξη (βλέπε σελ. 72), ελέγξτε αν δεν πρόκειται για ένα πρόβλημα που επιλύεται εύκολα με τη βοήθεια του ακόλουθου καταλόγου.

## Ανωμαλίες:

## Πιθανά αίτια / Λύση:

**Το πλυντήριο δεν ανάβει.**

- Το βύσμα δεν έχει εισαχθεί στην ηλεκτρική πρίζα, ή τουλάχιστον όχι αρκετά για να κάνει επαφή.
- Στο σπίτι δεν υπάρχει ρεύμα.

**Ο κύκλος πλυσίματος δεν ξεκινάει.**

- Η πόρτα δεν είναι καλά κλειστή (στην οθόνη απεικονίζεται η ένδειξη DOOR).
- Το κουμπί (⏏) δεν πατήθηκε.
- Το κουμπί START/RESET δεν πατήθηκε.
- η βρύση δεν είναι ανοικτή.
- Τέθηκε μια καθυστέρηση στον χρόνο εκκίνησης (Delay Timer, βλέπε σελ. 67).

**Το πλυντήριο δεν φορτώνει νερό (Στην οθόνη απεικονίζεται η ένδειξη H<sub>2</sub>O).**

- Ο σωλήνας τροφοδοσίας του νερού δεν είναι συνδεδεμένος στον κρουνό.
- Ο σωλήνας είναι διπλωμένος.
- η βρύση δεν είναι ανοικτή.
- Στο σπίτι λείπει το νερό.
- Δεν υπάρχει αρκετή πίεση.
- Το κουμπί START/RESET δεν πατήθηκε.

**Το πλυντήριο φορτώνει και αδειάζει νερό συνεχώς.**

- Ο σωλήνας αδειάσματος δεν έχει εγκατασταθεί μεταξύ 65 και 100 cm από το έδαφος (βλέπε σελ. 63).
- Το άκρο του σωλήνα αδειάσματος είναι βυθισμένο στο νερό (βλέπε σελ. 63).
- Το επιτοίχιο άδειασμα δεν έχει απαέρωση.

Αν μετά από αυτούς τους ελέγχους το πρόβλημα δεν λύνεται, κλείστε τον κρουνό του νερού, σβήστε το πλυντήριο και καλέστε την Υποστήριξη. Αν η κατοικία βρίσκεται στους τελευταίους ορόφους ενός κτιρίου, μπορεί να διαπιστωθούν φαινόμενα σιφωνισμού, οπότε το πλυντήριο φορτώνει και αδειάζει νερό συνεχώς. Για την αντιμετώπιση του προβλήματος διατίθενται στο εμπόριο κατάλληλες βαλβίδες αντι-σιφωνισμού.

**Το πλυντήριο δεν φορτώνει ή δεν στύβει.**

- Το πρόγραμμα δεν προβλέπει το άδειασμα: με ορισμένα προγράμματα πρέπει να το ενεργοποιείτε χειροκίνητα (βλέπε σελ. 66).
- Είναι ενεργή η δυνατότητα λιγότερο Σιδήρωμα: για την ολοκλήρωση του προγράμματος πιέστε το κουμπί START/RESET (βλέπε σελ. 67).
- Ο σωλήνας αδειάσματος είναι διπλωμένος (βλέπε σελ. 63).
- Ο αγωγός αδειάσματος είναι βουλωμένος.

**Το πλυντήριο δονείται πολύ κατά το στύψιμο.**

- Ο κάδος, τη στιγμή της εγκατάστασης, δεν απασφαλίστηκε σωστά (βλέπε σελ. 62).
- Το πλυντήριο δεν είναι οριζοντιωμένο (βλέπε σελ. 62).
- Το πλυντήριο είναι στενά μεταξύ επίπλων και τοίχου (βλέπε σελ. 62).

**Το πλυντήριο χάνει νερό.**

- Ο σωλήνας τροφοδοσίας του νερού δεν είναι καλά βιδωμένος (βλέπε σελ. 62).
- Το συρτάκι απορρυπαντικών είναι βουλωμένο (για να το καθαρίσετε βλέπε σελ. 70).
- Ο σωλήνας αδειάσματος δεν έχει στερεωθεί καλά (βλέπε σελ. 63).

**Σχηματίζεται πολύς αφρός.**

- Το απορρυπαντικό δεν είναι ειδικό για πλυντήριο (πρέπει να υπάρχει η ένδειξη "για πλυντήριο", "για πλύσιμο στο χέρι και στο πλυντήριο", ή παρόμοια).
- Η δοσολογία υπήρξε υπερβολική.

GR

Εγκατάσταση

Περιγραφή

Προγράμματα

Απορρυπαντικά

Προφυλάξεις

Συντήρηση

Ανωμαλίες

Υποστήριξη

## Πριν καλέσετε την τεχνική υποστήριξη:

- Βεβαιωθείτε ότι δεν μπορείτε να επιλύσετε μόνοι σας το πρόβλημα (βλέπε σελ. 71)
- Επανεκκινήστε το πρόγραμμα για να ελέγξετε αν το πρόβλημα αντιμετωπίστηκε
- Σε αντίθετη περίπτωση, επικοινωνήστε με το εξουσιοδοτημένο τμήμα τεχνικής υποστήριξης που αναγράφεται στο πιστοποιητικό εγγύησης.

! Μην καταφεύγετε ποτέ σε μη εξουσιοδοτημένους τεχνικούς.

## Γνωστοποιήστε:

- το είδος του προβλήματος
- το μοντέλο του μηχανήματος (Mod.)
- τον αριθμό σειράς (S/N).

Οι πληροφορίες αυτές βρίσκονται στην ταμπελίτσα που υπάρχει στο πίσω μέρος του πλυντηρίου.



## Free Manuals Download Website

<http://myh66.com>

<http://usermanuals.us>

<http://www.somanuals.com>

<http://www.4manuals.cc>

<http://www.manual-lib.com>

<http://www.404manual.com>

<http://www.luxmanual.com>

<http://aubethermostatmanual.com>

Golf course search by state

<http://golfingnear.com>

Email search by domain

<http://emailbydomain.com>

Auto manuals search

<http://auto.somanuals.com>

TV manuals search

<http://tv.somanuals.com>