

Instructions for use

WASHING MACHINE

GB

GB

English, 1

CIS

РУССКИЙ, 13

RO

Română, 25

HU

Magyar, 37

CZ

Český, 49

SK

Slovenský, 61

WITL 106

Contents

Installation, 2-3

Unpacking and levelling, 2
Electric and water connections, 2-3
The first wash cycle, 3
Technical details, 3

Washing machine description, 4-5

Control panel, 4
How to open and shut the drum, 5
Leds, 5

Starting and Programmes, 6

Briefly: how to start a programme, 6
Programme table, 6

Personalisations, 7

Setting the temperature, 7
Setting the spin cycle, 7
Functions, 7

Detergents and laundry, 8

Detergent dispenser, 8
Bleach cycle, 8
Preparing your laundry, 8
Special items, 8

Precautions and advice, 9

General safety, 9
Disposal, 9
Saving energy and respecting the environment, 9

Care and maintenance, 10

Cutting off the water or electricity supply, 10
Cleaning your appliance, 10
Caring for your appliance door and drum, 10
Cleaning the pump, 10
Checking the water inlet hose, 10
Cleaning the detergent dispenser, 10

Troubleshooting, 11

Service, 12

Before calling for Assistance, 12

 **INDESIT**

Installation

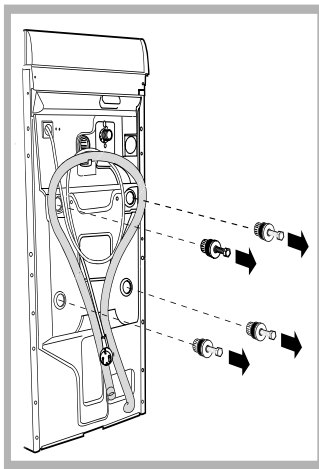
GB

! Keep this instruction manual in a safe place for future reference. Should the appliance be sold, transferred or moved, make sure the instruction manual accompanies the washing machine to inform the new owner as to its operation and features.

! Read these instructions carefully: they contain vital information on installation, use and safety.

Unpacking and levelling

Unpacking



1. Unpack the washing machine.
2. Check whether the washing machine has been damaged during transport. If this is the case, do not install it and contact your retailer.
3. Remove the four protective screws and the rubber washer with the respective spacer, situated on the rear of the appliance (see figure).
4. Seal the gaps using

the plastic plugs provided.

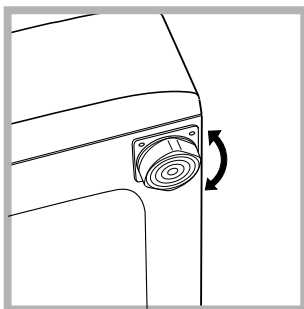
5. Keep all the parts: you will need them again if the washing machine needs to be moved to another location.

Warning: should the screws be re-used, make sure you fasten the shorter ones at the top.

! Packaging materials are not children's toys.

Levelling

Your machine may make a considerable amount of noise if the two front feet have not been adjusted correctly.

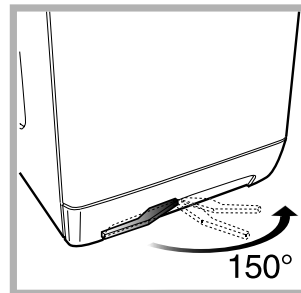


1. Install the washing machine on a flat sturdy floor, without resting it up against walls, furniture cabinets or other.
2. If the floor is not perfectly level, compensate for any unevenness by tightening or loosening the adjustable front feet (see figure); the angle of

inclination, measured according to the worktop, must not exceed 2°.

Levelling your appliance correctly will provide it with stability and avoid any vibrations, noise and shifting during operation. If it is placed on a fitted or loose carpet, adjust the feet in such a way as to allow enough room for ventilation beneath the washing machine.

Putting your appliance in place and moving it.

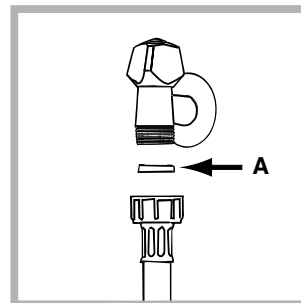


If your washing machine is equipped with a special set of retractable wheels you can easily move it. To lower the wheels and thus move the appliance effortlessly, just pull the lever, situated on the left-hand side beneath the

base. Once the appliance is in the required position, put the lever back in place. The washing machine is now firmly in place (see figure).

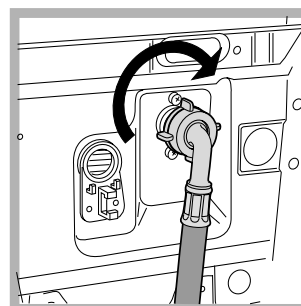
Electric and water connections

Connecting the water inlet hose



1. Insert seal A into the end of the inlet hose and screw the latter onto a cold water tap with a 3/4 gas threaded mouth (see figure).

Before making the connection, allow the water to run freely until it is perfectly clear.



2. Connect the other end of the water inlet hose to the washing machine, screwing it onto the appliance's cold water inlet, situated on the top right-hand side on the rear of the appliance (see figure).

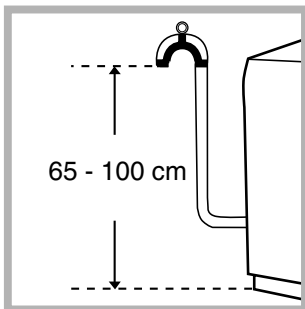
3. Make sure there are no kinks or bends in the hose.

! The water pressure at the tap must be within the values indicated in the Technical details table (on the next page).

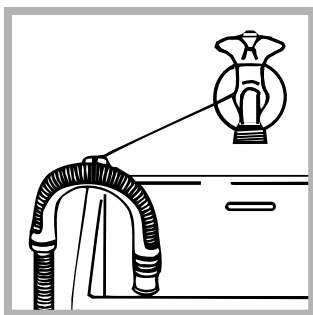
! If the water inlet hose is not long enough, contact a specialist store or an authorised serviceman.

! Never use hoses that have already been used.

Connecting the drain hose



Connect the drain hose, without bending it, to a draining duct or a wall drain situated between 65 and 100 cm from the floor;



alternatively, place it over the edge of a basin, sink or tub, fastening the duct supplied to the tap (see figure). The free end of the hose should not be underwater.

! We advise against the use of hose extensions; in case of absolute need, the extension must have the same diameter as the original hose and must not exceed 150 cm in length.

Electric connection

Before plugging the appliance into the mains socket, make sure that:

- the socket is earthed and in compliance with the applicable law;
- the socket is able to sustain the appliance's maximum power load indicated in the Technical details table (*on the right*);
- the supply voltage is included within the values indicated on the Technical details table (*on the right*);
- the socket is compatible with the washing machine's plug. If this is not the case, replace the socket or the plug.

! The washing machine should not be installed in an outdoor environment, not even when the area is sheltered, because it may be very dangerous to leave it exposed to rain and thunderstorms.

! When the washing machine is installed, the mains socket must be within easy reach.

! Do not use extensions or multiple sockets.

! The power supply cable must never be bent or dangerously compressed.

! The power supply cable must only be replaced by an authorised serviceman.

Warning! The company denies all liability if and when these norms are not respected.

The first wash cycle

Once the appliance has been installed, and before you use it for the first time, run a wash cycle with detergent and no laundry, setting the 90°C programme without a pre-wash cycle.

Technical details

Model	WITL 106
Dimensions	40 cm wide 85 cm high 60 cm deep
Capacity	from 1 to 5 kg
Electric connections	Please refer to the technical data plate fixed to the machine.
Water connections	maximum pressure 1 MPa (10 bar) minimum pressure 0.05 MPa (0.5 bar) drum capacity 42 litres
Spin speed	up to 1000 rpm
Control programmes according to EN 60456 directive	programme 2; temperature 60°C; run with a load of 5 kg.



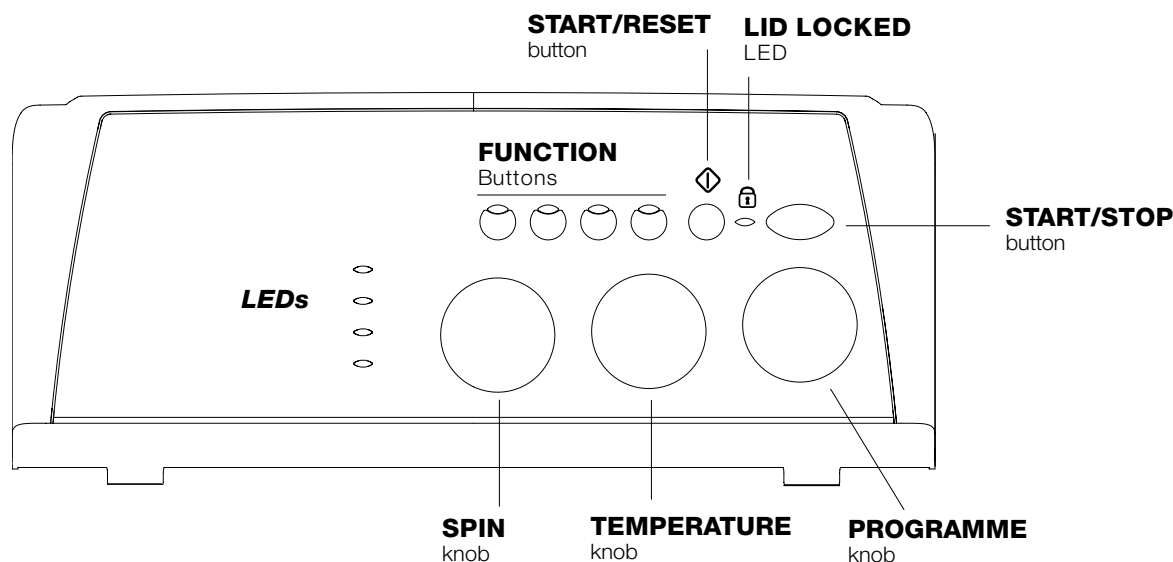
This appliance is compliant with the following European Community Directives:

- 89/336/CEE of 03/05/89 (Electromagnetic Compatibility) and subsequent amendments
- 2006/95/CE (Low Voltage)
- 2002/96/CE

Washing machine description

GB

Control panel



Detergent dispenser to add detergent and fabric softener (see page 8).

LEDs to find out which wash cycle phase is under way. If the Delay Timer function has been set, the time left until the programme starts will be indicated (see page 5).

FUNCTION keys to select the functions available. The button corresponding to the function selected will remain on.

SPIN SPEED knob to set the spin speed or exclude the spin cycle completely (see page 7).

TEMPERATURE knob to set the temperature or the cold wash cycle (see page 7).

ON/OFF key to turn the washing machine on and off.

START/RESET key to start the programmes or cancel incorrect settings.

ON-OFF/LID LOCK led, to find out whether the washing machine is on (flashing) and if the lid may be opened (see page 5).

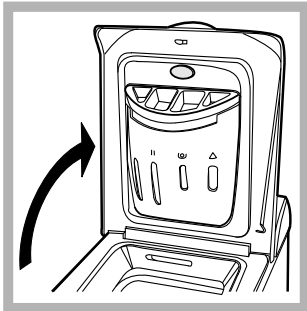
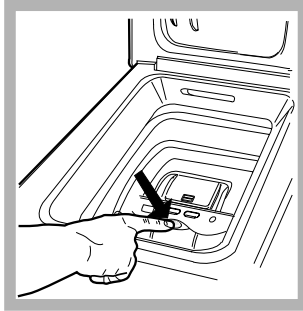
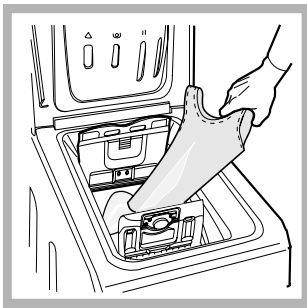
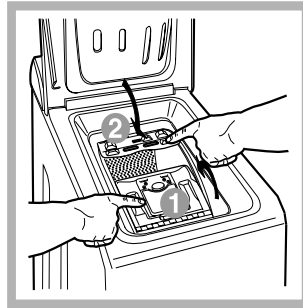
PROGRAMME knob to set the programmes (see page 6). The knob stays still during the cycle.

ON-OFF/LID LOCK led:

If this LED is on, the appliance Lid is locked to prevent it from being opened accidentally; to avoid any damages, you must wait for the lamp to flash before you open the Lid.

! The rapid flashing of the ON-OFF/LID LOCK Led together with the flashing of at least one other LED indicates there is an abnormality. Call for Technical Assistance.

How to open and to close the drum


Fig. 1

Fig. 2

Fig. 3

Fig. 4

A) Opening (Fig. 1).

Lift the external lid and open it completely.

B) Opening the drum (Soft opening):

With one finger, push the button indicated in fig. 2 and the drum will open delicately.

C) Loading the washing machine. (Fig. 3).

D) Shutting (Fig. 4).

- close the drum fully by first shutting the front door followed by the rear one;
- then ensure the hooks on the front door are perfectly housed within the seat of the rear door;
- after the hooks have clicked into position, press both doors lightly downwards to make sure they do not come loose;
- finally shut the external lid.

Leds

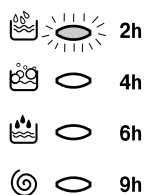
The LEDS provide important information. This is what they can tell you:

Delay set:

If the Delay Timer function has been enabled (see page. 7), once you have started the programme, the LED corresponding to the delay set will begin to flash:



As time passes, the remaining delay will be displayed, and the corresponding LED will flash:



Once the set delay is complete, the flashing LED will turn off and the programme set will start.

Cycle phase under way:

During the wash cycle, the LEDs gradually illuminate on to indicate the cycle phase under way:



Note: during draining, the LED corresponding to the Spin cycle phase will be turned on.

Function buttons

The FUNCTION BUTTONS also act like LEDS. When a function is selected, the corresponding button is illuminated.


If the function selected is incompatible with the programme set, the button will flash and the function will not be enabled.

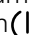
If you set a function that is incompatible with another function you selected previously, only the last one selected will be enabled.

Starting and Programmes




GB

Briefly: starting a programme

1. Switch the washing machine on by pressing button . All the LEDs will light up for a few seconds and the ON-OFF/DOOR LOCK Led will begin to flash.
2. Load your laundry into the washing machine, add the detergent and any fabric softener (see page 8) and shut the appliance door.
3. Set the PROGRAMME knob to the programme required.

4. Set the wash temperature (see page 7).
5. Set the spin speed (see page 7).
6. Start the programme by pressing the START/RESET button.
To cancel it, keep the START/RESET button pressed for at least 2 seconds.
7. When the programme is finished, the ON-OFF/DOOR LOCK Led will flash to indicate that the appliance door can be opened. Take out your laundry and leave the appliance door ajar to allow the drum to dry thoroughly. Turn the washing machine off by pressing button .

Programme table

Type of fabric and degree of soil	Programmes	Temperature	Detergent		Fabric softener	Stain removal option/bleach	Cycle length (minutes)	Description of wash cycle
			pre-wash	wash				
Standard								
Cotton: Extremely soiled whites (sheets, tablecloths, etc.)	1	90°C	•	•	•		167	Pre-wash, wash cycle, rinse cycles, intermediate and final spin cycles
Cotton: Extremely soiled whites (sheets, tablecloths, etc.)	2	90°C		•	•	Delicate/Traditional	152	Wash cycle, rinse cycles, intermediate and final spin cycles
Cotton: Heavily soiled whites and fast colours	2	60°C		•	•	Delicate/Traditional	150	Wash cycle, rinse cycles, intermediate and final spin cycles
Cotton: Heavily soiled whites and delicate colours	2	40°C		•	•	Delicate/Traditional	140	Wash cycle, rinse cycles, intermediate and final spin cycles
Cotton: Slightly soiled whites and delicate colours (shirts, jumpers, etc.)	3	40°C		•	•	Delicate/Traditional	99	Wash cycle, rinse cycles, intermediate and final spin cycles
Synthetics: Heavily soiled fast colours (baby linen, etc.)	4	60°C		•	•	Delicate	80	Wash cycle, rinse cycles, anti-crease or delicate spin cycle
Synthetics: Heavily soiled fast colours (baby linen, etc.)	4	40°C		•	•	Delicate	71	Wash cycle, rinse cycles, anti-crease or delicate spin cycle
Delicate fast colours (slightly soiled)	5	40°C		•	•	Delicate	71	Wash cycle, rinse cycles, anti-crease or delicate spin cycle
Wool	6	40°C		•	•		50	Wash cycle, rinse cycles, and delicate spin cycle
Very delicate fabrics (curtains, silk, viscose, etc.)	7	30°C		•	•		52	Wash cycle, rinse cycles, anti-crease or draining cycle
Time 4 you								
Cotton: Heavily soiled whites and fast colours	8	60°C		•	•		60	Wash cycle, rinse cycles, intermediate and final spin cycles
Cotton: Slightly soiled whites and delicate colours (shirts, jumpers, etc.)	9	40°C		•	•		50	Wash cycle, rinse cycles, intermediate and final spin cycles
Synthetics: Delicate colours (all types of slightly soiled garments)	10	40°C		•	•		40	Wash cycle, rinse cycles, delicate spin cycle
Synthetics: Delicate colours (all types of slightly soiled garments)	11	30°C		•	•		30	Wash cycle, rinse cycles and delicate spin cycle
Sport								
Sports shoes (MAX. 2 pairs)	12	30°C		•	•		50	Cold wash (without detergents), wash cycle, rinse cycles, and delicate spin cycle
Fabrics for sportswear (Tracksuits, shorts, etc.)	13	30°C		•	•		63	Wash cycle, rinse cycles, intermediate and final spin cycles
PARTIAL PROGRAMMES								
Rinse					•	Delicate/Traditional		Rinse cycles and spin cycle
Spin								Draining and spin cycle
Drain								Draining

Notes

- For programmes 8 and 9, we advise against exceeding a wash load of 3.5 kg.
- For programme 13 we advise against exceeding a wash load of 2 kg.
- For the anti-crease function: see Easy iron, *opposite page*. The information contained in the table is purely indicative.

Special programme

Daily Refresh (programme 11 for Synthetics) is designed to wash lightly soiled garments in a short amount of time: it only lasts 30 minutes and allows you to save on both time and energy. By setting this programme (11 at 30°C), you can wash different fabrics together (except for woollen and silk items), with a maximum load of 3 kg. We recommend the use of liquid detergent.

Setting the temperature


Turn the TEMPERATURE knob to set the wash temperature (see *Programme table on page 6*).
The temperature can be lowered, or even set to a cold wash (❄).

GB

Setting the spin speed

Turn the SPIN SPEED knob to set the spin speed for the programme selected.
The maximum spin speeds for each programme are as follows:

Programmes	Maximum spin speed
Cottone	1000 rpm
Synthetics	800 rpm
Wool	600 rpm
Silk	no

The spin speed can be lowered, or the spin cycle can be excluded altogether by selecting symbol .
The washing machine will automatically prevent you from selecting a spin speed higher than the maximum speed for each programme.

! To avoid excessive vibrations, before every spin cycle the machine distributes the load in a uniform manner by continuously rotating the drum at a speed which is slightly faster than the normal washing speed.
When, despite repeated attempts, the load is still not evenly distributed, the machine spins at a lower speed than the set frequency.







If the load is excessively unbalanced, the machine attempts to distribute it instead of spinning.
The balancing attempts may extend the total duration of the cycle, up to a maximum of 10 minutes.

Functions

To enable a function:

1. press the button corresponding to the desired function, according to the table below;
2. the function is enabled when the corresponding button is illuminated.

Note: The rapid flashing of the button indicates that the corresponding function cannot be selected for the programme set.

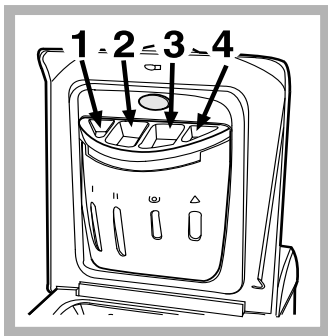
Option	Effect	Comments	Enabled with programmes:
Delay Timer 	Delays the start of the wash by up to 24 hours.	Press the button repeatedly until the LED corresponding to the desired delay is turned on. The fifth time the button is pressed, the function will be disabled. N.B.: Once you have pressed the Start/Reset button, the delay can only be decreased if you wish to modify it.	All
Bleaching 	Bleaching cycle designed to remove the toughest stains.	Please remember to pour the bleach into extra compartment 4 (see <i>page 8</i>). This option is incompatible with the EASY IRON option.	2, 3, 4, 5, Rinse cycles.
Easy iron 	This option reduces the amount of creasing on fabrics, making them easier to iron.	If you set this option, programmes 4, 5, 6, 7 and Delicate Rinse will be suspended, leaving the laundry to soak (Anti-crease) and icon  will flash: - to conclude the cycle, press the START/RESET button; - to run the draining cycle alone, set the knob to the relative symbol  and press the START/RESET button. This option is incompatible with the BLEACHING option.	3, 4, 5, 6, 7, 8, 9, 10 and Rinse cycles
Extra Rinse 	Increases the efficiency of the rinse.	Recommended when the appliance has a full load or with large quantities of detergent.	1, 2, 3, 4, 5, 8, 9, 10, 12, 13 and Rinse cycles.

Detergents and laundry

GB

Detergent dispenser

Good washing results also depend on the correct dose of detergent: adding too much detergent won't necessarily make for a more efficient wash, and may in fact cause build up on the interior of your appliance and even pollute the environment.



Open up the detergent dispenser and pour in the detergent and fabric softener, as follows.

compartment 1: Detergent for pre-wash (powder)

compartment 2: Detergent for the wash cycle (powder or liquid)

Liquid detergent should only be poured in immediately prior to the wash cycle start.

! Do not use hand wash detergent because it may form too much foam.

compartment 3: Additives (fabric softeners, etc.)



When pouring the softener in compartment 3, avoid exceeding the "max" level indicated. The softener is added automatically into the machine during the last wash. At the end of the wash programme, some water will be left in compartment 3. This is used for the inlet of denser fabric softeners into the machine, i.e. to dilute the more concentrated softeners. Should more than a normal amount of water remain in compartment 3, this means the emptying device is blocked. For cleaning instructions, see page 10. The fabric softener should not overflow from the grid.

compartment 4: Bleach

Bleach cycle

Traditional bleach should be used on sturdy white fabrics, and **delicate** bleach for coloured fabrics, synthetics and for wool.

When pouring in the bleach, be careful not to exceed the "max" level indicated on compartment 4 (see figure).

To run the bleach cycle alone, pour the bleach into compartment 4 and set the Rinse programme  (for cotton fabrics) and push the button  Bleaching.

Preparing your laundry

- Divide your laundry according to:
 - the type of fabric/the symbol on the label.
 - the colours: separate coloured garments from whites.
- Empty all pockets and check for loose buttons.
- Do not exceed the weight limits stated below, which refer to the weight when dry:
 - Sturdy fabrics: max 5 kg
 - Synthetic fabrics: max 2.5 kg
 - Delicate fabrics: max 2 kg
 - Wool: max 1 kg

How much does your laundry weigh?

- 1 sheet 400-500 g
- 1 pillow case 150-200 g
- 1 tablecloth 400-500 g
- 1 bathrobe 900-1,200 g
- 1 towel 150-250 g

Special items

Curtains: fold curtains and place them in a pillow case or mesh bag. Wash them separately without exceeding half the appliance load. Use programme 7 which excludes the spin cycle automatically.

Quilted coats and windbreakers: if they are padded with goose or duck down, they can be machine-washed. Turn the garments inside out and load a maximum of 2-3 kg, repeating the rinse cycle once or twice and using the delicate spin cycle.

Wool: for best results, use a specific detergent, taking care not to exceed a load of 1 kg.

! The washing machine was designed and built in compliance with the applicable international safety regulations. The following information is provided for your safety and should consequently be read carefully.

General safety

- This appliance has been designed for non-professional, household use and its functions must not be changed.
- This washing machine should only be used by adults and in accordance with the instructions provided in this manual.
- Never touch the washing machine when barefoot or with wet or damp hands or feet.
- Do not pull on the power supply cable to unplug the appliance from the electricity socket. Pull the plug out yourself.
- Do not open the detergent dispenser while the appliance is in operation.
- Do not touch the drain water as it could reach very high temperatures.
- Never force the washing machine door: this could damage the safety lock mechanism designed to prevent any accidental openings.
- In the event of a malfunction, do not under any circumstances touch internal parts in order to attempt repairs.
- Always keep children well away from the appliance while in operation.
- The appliance door tends to get quite hot during the wash cycle.
- Should it have to be moved, proceed with the help of two or three people and handle it with the utmost care. Never try to do this alone, because the appliance is very heavy.
- Before loading your laundry into the washing machine, make sure the drum is empty.

Disposal

• Disposal of old electrical appliances

The European Directive 2002/96/EC on Waste Electrical and Electronic Equipment (WEEE), requires that old household electrical appliances must not be disposed of in the normal unsorted municipal waste stream. Old appliances must be collected separately in order to optimise the recovery and recycling of the materials they contain and reduce the impact on human health and the environment.

The crossed out "wheeled bin" symbol on the product reminds you of your obligation, that when you dispose of the appliance it must be separately collected.

Consumers should contact their local authority or retailer for information concerning the correct disposal of their old appliance.

- Disposing of an old washing machine: before scrapping your appliance, cut the power supply cable and remove the appliance door.

Saving energy and respecting the environment

Environmentally-friendly technology

If you only see a little water through your appliance door, this is because thanks to the latest technology, your washing machine only needs less than half the amount of water to get the best results: an objective reached to respect the environment.

Saving on detergent, water, energy and time

- To avoid wasting resources, the washing machine should be used with a full load. A full load instead of two half loads allows you to save up to 50% on energy.
- The pre-wash cycle is only necessary on extremely soiled garments. Avoiding it will save on detergent, time, water and between 5 and 15% energy.
- Treating stains with a stain remover or leaving them to soak before washing will cut down the need to wash them at high temperatures. A programme at 60°C instead of 90°C or one at 40°C instead of 60°C will save up to 50% on energy.
- Use the correct quantity of detergent depending on the water hardness, how soiled the garments are and the amount of laundry you have, to avoid wastage and to protect the environment: despite being biodegradable, detergents do contain ingredients that alter the natural balance of the environment. In addition, avoid using fabric softener as much as possible.
- If you use your washing machine from late in the afternoon until the early hours of the morning, you will help reduce the electricity board's peak load. The Delay Timer option (see page 7) helps to organise your wash cycles accordingly.
- If your laundry has to be dried in a tumble dryer, select a high spin speed. Having the least water possible in your laundry will save you time and energy in the drying process.

Care and maintenance

GB

Cutting off the water or electricity supply

- Turn off the water tap after every wash. This will limit the wear of your appliance's water system and also prevent leaks.
- Unplug your appliance when cleaning it and during all maintenance operations.

Cleaning your appliance

The exterior and rubber parts of your appliance can be cleaned with a soft cloth soaked in lukewarm soapy water. Do not use solvents or abrasives.

Cleaning the detergent dispenser

Remove the dispenser by raising it and pulling it out (see figure).

Wash it under running water; this operation should be repeated frequently.

Caring for your appliance door and drum

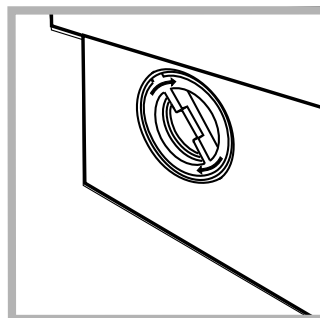
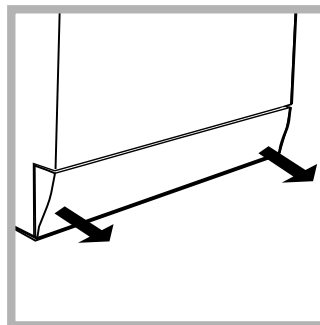
- Always leave the appliance door ajar to prevent unpleasant odours from forming.

Cleaning the pump

The washing machine is fitted with a self-cleaning pump that does not require any maintenance. Sometimes, small items (such as coins or buttons) may fall into the pre-chamber that protects the pump, situated in the lower part of the same.

! Make sure the wash cycle has ended and unplug the appliance.

To recover any objects that have fallen into the pre-chamber:



1. remove the plinth at the bottom on the front side of the washing machine by pulling from the side with your hands (see figure);
2. unscrew the lid rotating it anticlockwise (see figure): a little water may trickle out. This is perfectly normal;
3. clean the interior thoroughly;
4. screw the lid back on;
5. reposition the panel, making sure the hooks are securely in place before you push it onto the appliance.

Checking the water inlet hose

Check the water inlet hose at least once a year. If you see any cracks, replace it immediately: during the wash cycles, water pressure is very strong and a cracked hose could easily split open.

! Never use hoses that have already been used.

How to clean the detergent dispenser

Disassembly:

Press lightly on the large button on the front of the detergent dispenser and pull it upwards (fig. 1).

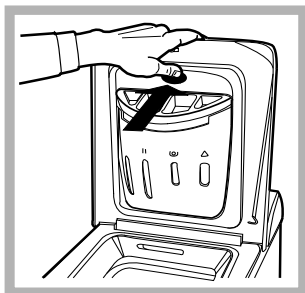


Fig. 1

Cleaning:

Then clean the dispenser under a tap (fig. 3) using an old toothbrush and, once the pair of siphons inserted in the top of compartments 1 and 2 (fig. 4) have been pulled out, check whether the same are not clogged and then rinse them.

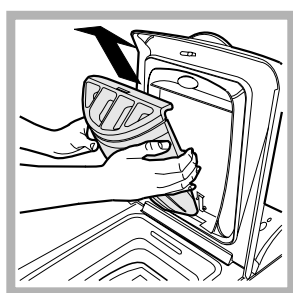


Fig. 2

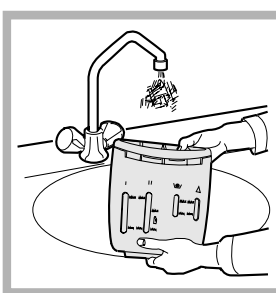


Fig. 3

Reassembly:

Do not forget to reinsert the pair of siphons into the special housings and then to replace the dispenser into its seat, clicking it into place (fig. 4, 2 and 1).

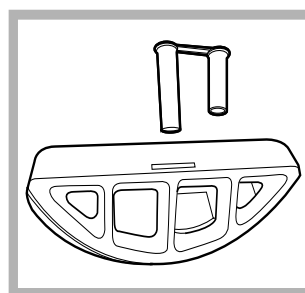


Fig. 4

Your washing machine could fail to work. Before calling for Assistance (*see page 12*), make sure the problem can't easily be solved by consulting the following list.

GB



Problem

Possible causes/Solution:

The washing machine won't start.

- The appliance is not plugged into the socket, or not enough to make contact.
- There has been a power failure.

The wash cycle won't start.

- The appliance door is not shut properly. The Lid locked Led flashes.
- The  button has not been pressed.
- The  START/RESET button has not been pressed.
- The water tap is not turned on.
- A delayed start has been set (using the Delay Timer, *see page 7*).

The washing machine fails to load water.

- The water inlet hose is not connected to the tap.
- The hose is bent.
- The water tap is not turned on.
- There is a water shortage.
- The water pressure is insufficient.
- The START/RESET button has not been pressed.

The washing machine continuously loads and unloads water.

- The drain hose is not fitted between 65 and 100 cm from the floor (*see page 3*).
- The free end of the hose is underwater (*see page 3*).
- The wall drainage system doesn't have a breather pipe.

If the problem persists even after these checks, turn off the water tap, switch the appliance off and call for Assistance. If the dwelling is on one of the upper floors of a building, there may be drain trap problems causing the washing machine to load and unload water continuously. In order to avoid such an inconvenience, special anti-drain trap valves are available in shops.

The washing machine does not drain or spin.

- The programme does not foresee the draining: some programmes require enabling the draining manually (*see page 6*).
- The Easy iron option is enabled: to complete the programme, press the START/RESET button (*see page 7*).
- The drain hose is bent (*see page 3*).
- The drain duct is clogged.

The washing machine vibrates too much during the spin cycle.

- When the machine is installed, the locking screws for the oscillating assembly are still in place. Remove the screws (*see page 2*).
- The washing machine is not level (*see page 2*).
- The washing machine is closed in between furniture cabinets and the wall (*see page 2*).

The washing machine leaks.

- The water inlet hose is not screwed on correctly (*see page 2*).
- The detergent dispenser is obstructed (to clean it, *see page 10*).
- The drain hose is not secured properly (*see page 3*).

The ON-OFF/DOOR LOCK Led flashes rapidly at the same time as at least one other LED.

- Switch off the machine and unplug the appliance; wait for approximately 1 minute then switch it on again. If the problem persists, contact Assistance.

There is too much foam.

- The detergent is not suitable for machine washing (it should bear the definition "for washing machines" or "hand and machine wash", or the like).
- You used too much detergent.

Service

GB

Before calling for Assistance:

- Check whether you can solve the problem on your own (*see page 11*);
- Restart the programme to check whether the problem has been solved;
- If this is not the case, contact an authorised Technical Service Centre on the telephone number provided on the guarantee certificate.

! If the machine has been installed or used incorrectly, you may be charged for the maintenance callout service.

! Always request the assistance of authorised servicemen.

Notify the operator of:

- the type of problem;
- the appliance model (Mod.);
- the serial number (S/N).

This information can be found on the data plate situated on the rear of the washing machine.

CIS

РУССКИЙ

WITL 106

CIS

Содержание

Установка, 14-15

Распаковка и выравнивание, 14
Подключение к водопроводной и электрической сети, 14-15
Пробный цикл стирки, 15
Технические характеристики, 15

Описание стиральной машины, 16-17

Панель управления, 16
Как открыть и закрыть барабан, 17
Индикаторы, 17

Запуск машины. Программы, 18

Краткие инструкции: Порядок запуска программы, 18
Таблица программ, 18

Персонализация стирки, 19

Выбор температуры, 19
Выбор скорости отжима, 19
Функции, 19

Моющие средства и белье, 20

Распределитель моющих средств, 20
Цикл отбеливания, 20
Подготовка белья, 20
Особенности стирки отдельных изделий, 20

Предупреждения и рекомендации, 21

Общие правила безопасности, 21
Утилизация, 21
Экономия и охрана окружающей среды, 21

Обслуживание и уход, 22

Отключение воды и электричества, 22
Уход за стиральной машиной, 22
Уход за дверцей машины и барабаном, 22
Как чистить распределитель моющих средств, 22
Чистка насоса, 22
Проверка заливного шланга, 22

Устранение неисправностей, 23

Сервисное обслуживание, 24

Установка

CIS

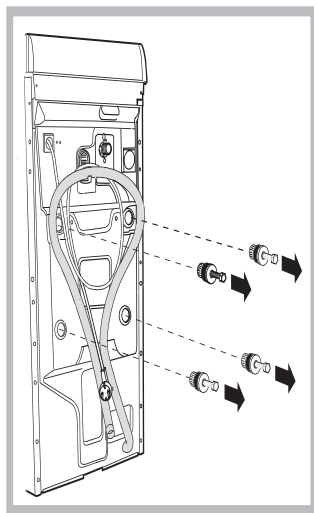
! Сохраните данное руководство. Оно должно быть в комплекте со стиральной машиной в случае продажи, передачи оборудования или при переезде на новую квартиру, чтобы новый владелец оборудования мог ознакомиться с правилами его функционирования и обслуживания.

! Внимательно прочитайте руководство: в нем содержатся важные сведения по установке и безопасной эксплуатации стиральной машины.

Распаковка и выравнивание

Распаковка

1. Распакуйте стиральную машину.
2. Убедитесь, что оборудование не было повреждено во время транспортировки. При обнаружении повреждений – не подключайте машину – свяжитесь с поставщиком немедленно.

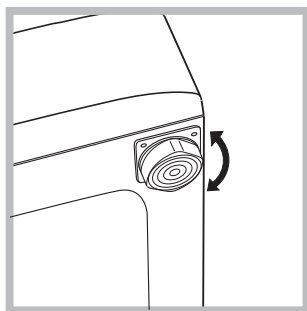


последующей транспортировке стиральной машины.

болты, резиновые шайбы и большую металлическую поперечную планку. Закройте образовавшиеся отверстия пластмассовыми заглушками.

! Не разрешайте детям играть с упаковочными материалами.

Выравнивание



(см. рис.). Для этого сначала ослабьте контргайку, после завершения регулировки контргайку затяните.

3. Удалите четыре транспортировочных винта и резиновые пробки с прокладками, расположенные в задней части стиральной машины (см. рис.).

4. Закройте отверстия прилагающимися пластиковыми заглушками.

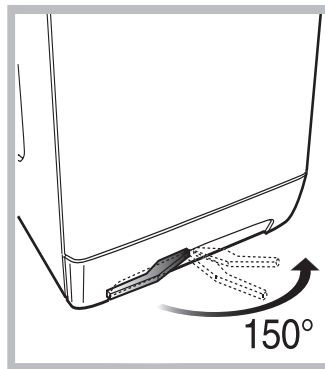
5. Сохраняйте все детали: они Вам понадобятся при

После установки машины на место проверьте по уровню горизонтальность верхней крышки корпуса, отклонение горизонтали должно быть не более 2°.

Правильное выравнивание оборудования поможет избежать шума, вибраций и смещений во время работы машины.

Если стиральная машина стоит на полу, покрытом ковром, убедитесь, что ее основание возвышается над ковром. В противном случае вентиляция будет затруднена или вовсе невозможна.

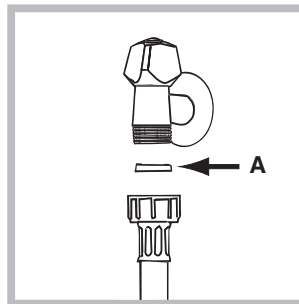
Установка машины на место и перемещение



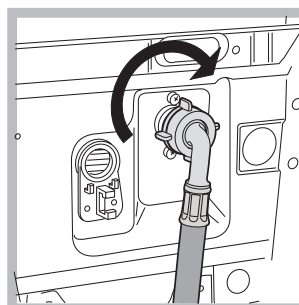
Ваша стиральная машина может быть оснащена специальными убирающимися колесами для облегчения ее перемещения. Чтобы опустить колеса и передвинуть оборудование, просто потяните за рычаг, расположенный слева под основанием машины. После установки оборудования в требуемое положение верните рычаг в исходное положение.

Подключение к водопроводной и электрической сети

Подсоединение заливного шланга



1. Вставьте прокладку А в конец заливного шланга и наведите его на вывод водопровода холодной воды с резьбовым отверстием 3/4 дюйма (см. рис.). Перед подсоединением откройте водопроводный кран и дайте стечь грязной воде.



2. Подсоедините заливной шланг к стиральной машине, навинтив его на водоприемник, расположенный в задней верхней части справа (см. рис.).

3. Убедитесь, что шланг не перекручен и не пережат.

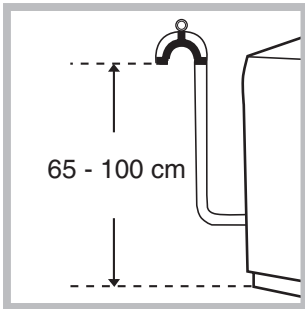
! Давление воды должно быть в пределах значений, указанных в

таблице Технических характеристик (см. с. 15).

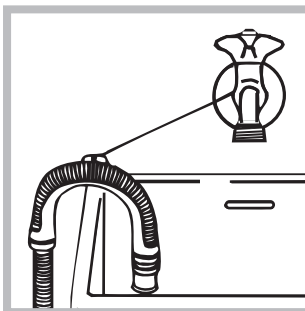
! Если длина водопроводного шланга окажется недостаточной, обратитесь в Авторизованный Сервисный центр.

! Никогда не используйте шланги, бывшие в употреблении.

Подсоединение сливного шланга



Повесьте загнутый конец сливного шланга на край раковины, ванны, или поместите в специальный вывод канализации. Шланг не должен перегибаться. Верхняя точка сливного шланга должна находиться на высоте 65-100 см от пола. Расположение сливного шланга должно обеспечивать разрыв струи при сливе (конец шланга не должен быть опущен в воду).



В случае крепления на край ванной или раковины, шланг вешается с помощью направляющей (входит в комплект поставки), которая крепится к крану (рис.).

! Не рекомендуется применение удлинителей для сливного шланга, при необходимости допускается его наращивание шлангом такого же диаметра и длиной не более 150 см.

Подсоединение к электросети

Внимание! Оборудование обязательно должно быть заземлено!

1. Машина подключается к электрической сети при помощи двухполюсной розетки с заземляющим контактом (розетка не поставляется с машиной). Фазный провод должен быть подключен через автомат защиты сети, рассчитанный на максимальный ток (ток срабатывания) 16 А, и имеющий время срабатывания не более 0,1 с.
2. При наличии вблизи от предполагаемого места установки машины розетки с заземляющим контактом, имеющей трехпроводную подводку кабеля с медными жилами сечением не менее 1,5 кв. мм (или алюминиевыми жилами сечением не менее 2,5 кв. мм), доработка электросети не производится. При отсутствии указанной розетки и проводки следует провести их монтаж.
3. Прокладка заземления отдельным проводом не допускается.
4. Для доработки электрической сети рекомендуется применять провод типа ППВ 3x1,5 380 ГОСТ 6223-79. Допускается применение других марок кабеля, обеспечивающих пожаро- и электробезопасность при эксплуатации машины.

Перед включением машины в сеть убедитесь, что:

- розетка и проводка соответствуют требованиям, изложенным в данном разделе инструкции;
- напряжение и частота тока сети соответствуют данным машины;
- розетка и вилка одного типа;

- розетка заземлена в соответствии с нормами безопасности, описанными в данном разделе инструкции (допускается организация заземления рабочим нулем, при условии, что защитная линия не имеет разрыва и подключена напрямую в обвод каких-либо приборов (например, электрического счетчика).

Если вилка не подходит к розетке, ее следует заменить на новую, соответствующую розетке, или заменить питающий кабель. Замена кабеля должна производиться только квалифицированным персоналом.

Запрещается использование переходников, двойных и более розеток и удлинителей (они создают опасность возгорания). Если Вы считаете их использование необходимым, применяйте один единственный удлинитель, удовлетворяющий требованиям безопасности.

Оборудование, подключенное с нарушением требований безопасности бытовых приборов большой мощности, изложенных в данной инструкции, является потенциально опасным.

Производитель не несет ответственности за ущерб здоровью и собственности, если он вызван несоблюдением указанных норм установки.

Первый цикл стирки

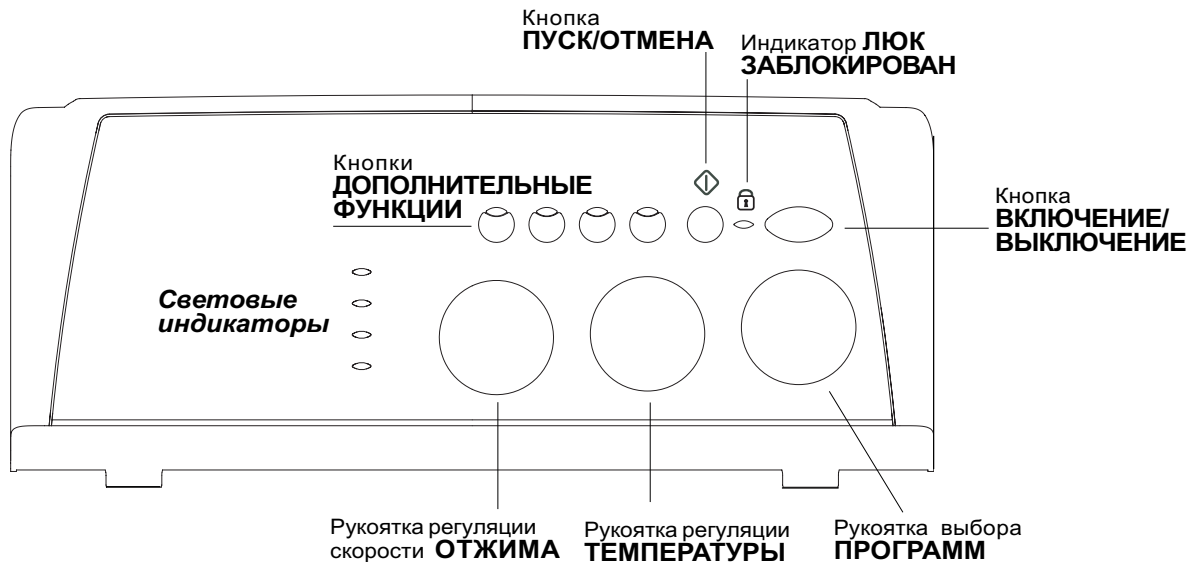
По завершении установки, перед началом эксплуатации необходимо произвести один цикл стирки со стиральным порошком, но без белья, по программе 90°C без предварительной стирки.

Технические характеристики	
Модель	WITL 106
Размеры	ширина 40 см высота 85 см глубина 60 см
Загрузка	1 - 5 кг
Электрические параметры	Смотрите паспортную табличку с техническими характеристиками на машине
Гидравлические параметры	max давление 1 Мпа (10 бар) min давление 0,05 Мпа (0,5 бар) объем барабана 42 л
Скорость отжима	до 1000 об/мин
Контрольные программы согласно нормативу EN 60456	программа 2; температура 60°C; при загрузке до 5 кг.
	Машина соответствует следующим Директивам Европейского Экономического сообщества: - 89/336 /ЕЕС от 03.05.89 (электро-магнитной совместимости) и последующие модификации - 2006/95/CE (низкого напряжения)

Описание стиральной машины

CIS

Панель управления



Ячейка для стирального порошка, наполняя - мая стиральным порошком и добавками (смотреть стр. 20).

Световые индикаторы служат для контроля за выполнением программы стирки. Если была включена функция Таймер задержки, индикаторы показывают время, остающееся до запуска программы (смотреть стр. 17).

Рукоятка **ОТЖИМ** служит для регулировки скорости отжима или для его исключения (смотреть стр. 19).

Кнопки **ДОПОЛНИТЕЛЬНЫЕ ФУНКЦИИ** служат для подключения имеющихся дополнительных функций. Кнопка выбранной функции останется включенной.

Рукоятка **ТЕМПЕРАТУРА** служит для регулировки температуры или для стирки в холодной воде (смотреть стр. 19).

Кнопка **ВКЛЮЧЕНИЕ/ВЫКЛЮЧЕНИЕ** служит для включения и выключения стиральной машины.

Кнопка **ПУСК/ОТМЕНА** служит для запуска программ или для отмены ошибочного программирования.

Индикатор **ВКЛЮЧЕНИЕ/ЛЮК ЗАБЛОКИРОВАН** мигает, когда стиральная машина включена, и горит, не мигая, если люк не заблокирован (смотреть стр. 16).

Рукоятка выбора **ПРОГРАММ** служит для выбора программ (смотреть стр. 18).

В процессе выполнения программы рукоятка остается неподвижной.

Индикатор ВКЛЮЧЕНИЕ/ЛЮК ЗАБЛОКИРОВАН:

Горящий индикатор означает, что люк заблокирован во избежание его случайного открывания. во избежание повреждений перед тем как открыть люк, необходимо дождаться, когда замигает индикатор.

! Частое мигание индикатора ВКЛЮЧЕНИЕ/ЛЮК ЗАБЛОКИРОВАН одновременно с любым другим индикатором означает неисправность (смотреть стр. 23).

Запуск машины. Программы

Как открыть и закрыть барабан

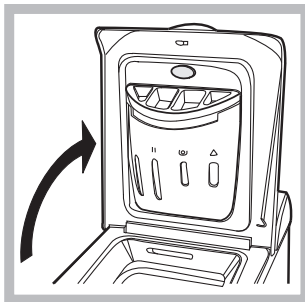


Рис. 1

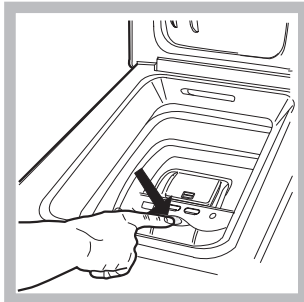


Рис. 2

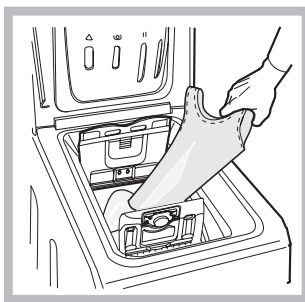


Рис. 3

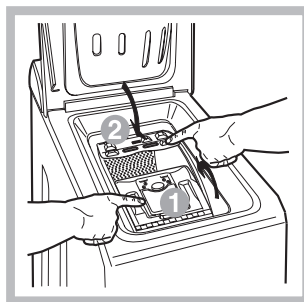


Рис. 4

А) ОТКРЫВАНИЕ (рис. 1).

Поднимите внешнюю крышку и полностью ее откройте.

Б) Открывание барабана (Soft opening – Плавное открывание):

Нажмите кнопку, показанную на рис. 2, крышка барабана плавно откроется.

В) ЗАГРУЗКА СТИРАЛЬНОЙ МАШИНЫ (рис. 3).

Г) ЗАКРЫВАНИЕ (рис. 4).

- закройте полностью барабан, опуская сначала переднюю дверцу, а затем заднюю;
- затем удостоверьтесь, что крюки передней дверцы точно вошли в предназначенные места на задней дверце;
- после того, как крюки защелкнулись, нажмите обе дверцы слегка вниз, чтобы убедиться они закрыты плотно;
- и, наконец, закройте внешнюю крышку.

Индикаторы

Индикаторы сообщают пользователю важные сведения.

Значение индикаторов:

Отложенный старт:

Если была включена функция Delay Timer (Таймер задержки) (смотри стр. 19), после запуска программы замигает светодиод, соответствующий выбранной задержке:



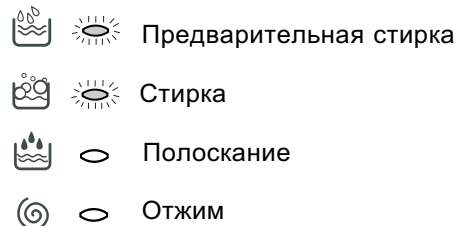
По мере отсчета времени будет показываться остающееся время вместе с миганием соответствующего индикатора:



По прошествии заданной задержки мигающий светодиод погаснет, и запустится выбранная программа.

Текущая фаза цикла:

В процессе цикла стирки индикаторы будут загораться один за другим, показывая фазу выполнения программы:



Примечание: в процессе слива загорится индикатор, соответствующий циклу Отжима.

Кнопки выбора функции

КНОПКИ ВЫБОРА ФУНКЦИИ также являются индикаторами.

При выборе функции загорается соответствующая кнопка.

Если выбранная функция является несовместимой с заданной программой, кнопка будет мигать, и такая функция не будет активирована.

Если будет выбрана функция, несовместимая с другой, ранее выбранной функцией, останется включенной только последняя выбранная функция.

Персонализация стирки

CIS

Краткие инструкции: Порядок запуска программы


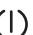


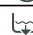
1. Включите стиральную машину, нажав на кнопку . Все индикаторы загорятся на несколько секунд, затем погаснут, и индикатор ВКЛЮЧЕНИЕ/ЛЮК ЗАБЛОКИРОВАН начнет мигать.
2. Загрузите белье в барабан, засыпьте стиральное вещество и добавки (смотрите стр. 20), закройте крышки барабана и внешний люк.
3. Выбрать при помощи рукоятки выбора ПРОГРАММ нужную программу.
4. Выбрать температуру стирки (см. стр. 19).
5. Выбрать скорость отжима (см. стр. 19).
6. Запустите программу, нажав кнопку ПУСК/СБРОС (Start/Reset).
Для отмены запуска держите нажатой кнопку ПУСК/СБРОС (Start/Reset) в течение 2-х секунд.
7. По завершении программы индикатор ВКЛЮЧЕНИЕ/ЛЮК ЗАБЛОКИРОВАН замигает, сигнализируя, что можно открыть люк. Вынуть белье и оставить люк полукоткрытым для сушки барабана. Выключить стиральную машину, нажав кнопку .

Таблица программ

Ткань и степень загрязнения	Прогр.	Температура	Моющее средство		Смягчитель	Удаление пятен / Отбеливатель	Длительность цикла, мин.	Описание цикла стирки
			предвар. стирка	основ. стирка				
Обычные программы								
Хлопок : Очень сильно загрязненное белое белье (простыни, скатерти и т.п.)	1	90°C	●	●	●		167	Предварительная стирка, стирка, полоскание, промежуточный и окончательный отжим
Хлопок : Очень сильно загрязненное белое белье (простыни, скатерти и т.п.)	2	90°C		●	●	Деликатн./ Обычный	152	Стирка, полоскание, промежуточный и окончательный отжим
Хлопок : Сильно загрязненное белое и устойчивое цветное белье	2	60°C		●	●	Деликатн./ Обычный	150	Стирка, полоскание, промежуточный и окончательный отжим
Хлопок : Сильно загрязненное белое и линяющее цветное белье	2	40°C		●	●	Деликатн./ Обычный	140	Стирка, полоскание, промежуточный и окончательный отжим
Хлопок : Слабо загрязненное белое и линяющее цветное белье (простыни, скатерти и т.п.)	3	40°C		●	●	Деликатн./ Обычный	99	Стирка, полоскание, промежуточный и окончательный отжим
Синтетика : Сильно загрязненное устойчивое цветное белье (детская одежда и пр.)	4	60°C		●	●	Деликатный	80	Стирка, полоскание, остановка с водой или деликатный отжим
Синтетика : Сильно загрязненное устойчивое цветное белье (детская одежда и пр.)	4	40°C		●	●	Деликатный	71	Стирка, полоскание, остановка с водой или деликатный отжим
Синтетика : Слабо загрязненное линяющее цветное белье (любая одежда)	5	40°C		●	●	Деликатный	71	Стирка, полоскание, остановка с водой или деликатный отжим
Шерсть	6	40°C		●	●		50	Стирка, полоскание, и деликатный отжим
Особо деликатные ткани и одежда (занавеси, шелк, вискоза и пр.)	7	30°C		●	●		52	Стирка, полоскание, остановка с водой или слив
4 программы для Вас								
Хлопок : Сильно загрязненное и устойчивое цветное белье	8	60°C		●	●		60	Стирка, полоскание, промежуточный и окончательный отжим
Хлопок : Слабо загрязненное белое и линяющее цветное белье (сорочки, майки и пр.)	9	40°C		●	●		50	Стирка, полоскание, промежуточный и окончательный отжим
Синтетика : Слабо загрязненное линяющее цветное белье (любая одежда)	10	40°C		●	●		40	Стирка, полоскание, деликатный отжим
Синтетика : Слабо загрязненное линяющее цветное белье (любая одежда)	11	30°C		●	●		30	Стирка, полоскание, деликатный отжим
Спорт								
Спортивная обувь (макс. 2 пары.)	12	30°C		●	●		50	Стирка в холодной воде (без моющего средства), стирка, полоскание и деликатный отжим
Спортивная одежда (спортивные костюмы, шорты и пр.)	13	30°C		●	●		63	Стирка, полоскание, промежуточный и окончательный отжим
Частные программы								
Полоскание					●	Деликатн./ Обычный		Полоскание и отжим
Отжим								Слив и отжим
Слив								Слив

Примечание

- Рекомендуется, чтобы для программ 8-9 загрузка белья не превышала 3,5 кг.
- Для программы 13 рекомендуется, чтобы вес загружаемого белья не превышал 2 кг.

Специальная программа

Повседневная стирка 30' мин (программа 11 для Синтетических тканей) предназначена для быстрой стирки слабо-загрязненного белья: цикл длится всего 30 минут, что позволяет сэкономить время и электроэнергию. Установив эту программу (11 при температуре 30°C), Вы можете стирать различные виды тканей вместе (за исключением шерсти и шелка) при максимальной загрузке белья 3 кг. Мы рекомендуем использовать жидкое моющее средство.

Выбор температуры

Выбор температуры стирки производится при помощи рукоятки ТЕМПЕРАТУРА (см. Таблицу программ на стр. 18). Значение температуры может быть уменьшено вплоть до стирки в холодной воде (❄).


CIS

Выбор скорости отжима

Выбор скорости отжима выбранной программы производится при помощи рукоятки ОТЖИМ. Для разных программ предусматривается разная максимальная скорость отжима:

Программы Максимальная скорость отжима

Хлопок	1000 оборотов в минуту
Синтетика	800 оборотов в минуту
Шерсть	600 оборотов в минуту
Шелк	без отжима

Скорость отжима может быть уменьшена или же можно совсем исключить отжим, повернув рукоятку в положение . Машина автоматически не допускает установку скорости отжима, превышающую максимальную скорость, предусмотренную для каждой программы.

! Во избежание чрезмерных вибраций перед каждым отжимом машина равномерно распределяет белье в барабане. Это происходит за счет непрерывного вращения барабана со скоростью, слегка превышающей скорость стирки.

Если после нескольких попыток белье не распределяется равномерно, машина производит отжим с более низкой скоростью.

При невозможности балансировки машина заменяет отжим операцией балансировки.







Возможные попытки балансировки могут продлить общую продолжительность цикла макс. на 10 минут.

Функции

Различные функции стирки машины позволяют достичь желаемой чистоты и белизны вашего белья. Порядок выбора функций:

1. нажать кнопку нужной функции в соответствии с приведенной ниже таблицей;
2. включение соответствующей кнопки означает, что функция активирована.

Примечание: Частое мигание кнопки означает, что данная функция не может быть активирована для заданной программы.

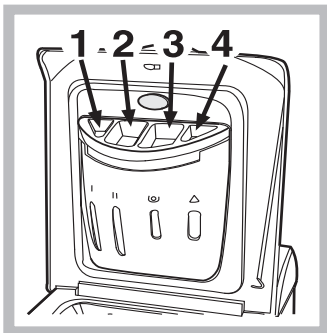
Функции	Назначение	Использование	Доступна с программами:
 Таймер отсрочки	Отсрочка запуска программы вплоть до 9 ч.	Нажать кнопку несколько раз вплоть до включения индикатора, соответствующего требуемого отложенного старта. При пятом нажатии кнопки функция отключается. ПРИМЕЧАНИЕ: После нажатия кнопки Пуск/Обнуление можно изменить значение отложенного старта только в сторону уменьшения.	Со всеми программами
 Удаление пятен	Цикл отбеливания для удаления наиболее стойких загрязнений.	Налейте отбеливатель в дополнительную вставку 4 (см. с. 20). Опция не используется с функцией «ЛЕГКАЯ ГЛАЖКА».	2, 3, 4, 5, Полоскание.
 Легкая глажка	Уменьшение степени сминаемости тканей, облегчение последующего глажения.	При выборе этой функции программы 4, 5, 6, 7 прерываются без слива воды (остановка с водой) и сигнальная лампочка фазы Ополаскивания  мигает: – Чтобы завершить цикл, нажмите кнопку ПУСК/СБРОС (Start/Resert). – Чтобы закончить программу сливом установите рукоятку программатора на соответствующий символ  и нажмите кнопку ПУСК/СБРОС (Start/Resert). Данная опция не используется с функцией "Удаление пятен".	3, 4, 5, 6, 7, 8, 9, 10, Полоскание.
 Дополнительное полоскание	Повышает эффективность полоскания.	Применение этой функции рекомендуется при полной загрузке машины или при использовании большого количества моющего средства.	1, 2, 3, 4, 5, 8, 9, 10, 12, 13, Полоскание.

Предупреждения и рекомендации

CIS

Распределитель моющих средств

Хороший результат стирки зависит также от правильной дозировки моющего средства: его избыток не гарантирует более эффективную стирку, напротив может привести к образованию налетов внутри машины и загрязнению окружающей среды.



Выдвиньте распределитель и заполните его отделения моющим средством и смягчителем:

Отделение 1: моющее средство для предварительной стирки (порошок)

ячейка 2: Стиральное вещество (порошок или жидкость)

Жидкое стиральное вещество следует помещать непосредственно в барабан в специальном круглом пластмассовом дозаторе.



ячейка 3: Добавки (ополаскиватель и т.д.)

Когда вы наливаете ополаскиватель в ячейку 3, обращайте внимание, чтобы не превысить максимальный уровень, указанный отметкой «max».

Ополаскиватель автоматически подается в барабан в процессе последнего ополаскивания. По завершении программы стирки в ячейке 3 остается вода. Она необходима для подачи в барабан очень густых ополаскивателей, т.е. для разбавления концентрированных ополаскивателей. Если в ячейке 3 останется воды больше нормального, это значит, что канал слива ополаскивателя в барабан засорился. Смотрите описание чистки ячеек на стр. 22.

ячейка 4: Цикл отбеливания

Обычный отбеливатель используется для прочных белых тканей, **деликатный** - для цветных, синтетических тканей и для шерсти. Не заливайте отбеливатель в ячейку-дозатор 4 выше отметки «макс.» (смотрите рисунок).

Для выполнения одной только функции отбеливания поместите отбеливатель в ячейку 4, задайте программу Ополаскивание  и нажмите кнопку функции Удаление пятен .

Подготовка белья

- Разберите белье:
 - в соответствии с типом ткани / обозначения на этикетке
 - по цвету: отделите цветное белье от белого.
- Выньте из карманов все предметы и проверьте хорошо ли держатся пуговицы.
- Не превышайте максимальные нормы загрузки барабана, указанные для сухого белья:
 - Прочные ткани: макс. 5 кг
 - Синтетические ткани: макс. 2,5 кг
 - Деликатные ткани: макс. 2 кг
 - Шерсть: макс. 1 кг

Вес белья

- 1 простыня 400 – 500 г
- 1 наволочка 150 -200 г
- 1 скатерть 400 – 500 г
- 1 халат 900 –1,200 г
- 1 полотенце 150 -250 г

Особенности стирки отдельных изделий

Занавески: сверните и положите в наволочку или в сетчатый мешочек. Стирайте отдельно, не превышая половины загрузки барабана. Выберите программу 7, автоматически выключающую отжим.

Стеганные куртки и пуховики: если пуховик на утином или гусином пуху, его можно стирать в стиральной машине. Выверните куртку наизнанку, загрузите в барабан не более 2-3 кг изделий. Повторите полоскание 1-2 раза, используйте деликатный отжим.

Парусиновые туфли: Парусиновые туфли предварительно очистите от грязи и стирайте с прочными тканями или джинсами, если позволяет цвет. Не стирайте с белыми вещами.

Шерсть: Для достижения наилучших результатов стирки загружайте не более 1 кг белья и используйте специальные жидкие средства, предназначенные для стирки шерстяных изделий.

! Не используйте моющие средства, предназначенные для ручной стирки – образующаяся обильная пена ухудшает результат стирки и может вывести из строя стиральную машину.

! Стиральная машина спроектирована и изготовлена в соответствии с международными нормами безопасности. Внимательно прочитайте настоящие предупреждения, составленные в целях вашей безопасности.

Общие правила безопасности

- Для домашнего использования. Данное изделие является бытовым электроприбором, не предназначенным для профессионального использования. Запрещается модифицировать его функции.
- Стиральная машина должна использоваться только взрослыми лицами, соблюдающими инструкции, приведенные в данном руководстве.
- Не касайтесь работающей машины, если ваши руки или ноги сырые; не пользуйтесь оборудованием босиком.
- Не тяните за питающий кабель, чтобы вынуть вилку из розетки: беритесь за вилку.
- Не открывайте распределитель мощных средств во время работы машины.
- Не касайтесь сливаемой воды, ее температура может быть очень высокой.
- При остановке машины разблокировка замка дверцы срабатывает с трехминутной задержкой. Не пытайтесь открыть дверцу в этом промежутке времени (а тем более во время работы оборудования!): это может повредить механизм блокировки.
- В случае неисправности при любых обстоятельствах не касайтесь внутренних частей машины, пытайтесь починить ее.
- Следите, чтобы дети не приближались к работающей стиральной машине.
- В процессе стирки дверца стиральной машины может нагреваться.
- Если необходимо переместить стиральную машину, выполняйте эту операцию вдвоем или втроем с предельной осторожностью. Никогда не пытайтесь поднять машину в одиночку — оборудование чрезвычайно тяжелое.
- Перед помещением в стиральную машину белья убедитесь, чтобы барабан был пуст.

Утилизация

- Уничтожение упаковочного материала: соблюдайте действующие требования по утилизации упаковочных материалов.

- Утилизация старой стиральной машины: перед сдачей машины в утиль обрежьте питающий кабель и снимите дверцу.

CIS

Экономия энергии и охрана окружающей среды

Экологичная технология

С новой технологией Indesit вы затратите воды в два раза меньше, а эффект от стирки будет в два раза выше! Вот почему вы не можете видеть воду через дверцу: ее очень мало. Это забота об окружающей среде без отказа от максимальной чистоты. И вдобавок ко всему, вы экономите электричество.

Экономия моющих средств, воды, электроэнергии и времени

- Для экономии ресурсов следует максимально загружать стиральную машину. Один цикл стирки при полной загрузке вместо двух циклов с наполовину загруженным барабаном позволяет сэкономить до 50% электроэнергии.
- Цикл предварительной стирки необходим только для очень грязного белья. При цикле предварительной стирки расходуется больше стирального порошка, времени, воды и на 5 – 15% больше электроэнергии.
- Если вы обработаете пятна пятновыводителем или замочите белье перед стиркой, это поможет избежать стирки при высоких температурах. Использование программы стирки при 60°C вместо 90°C, или 40°C вместо 60°C позволяет сэкономить до 50% электроэнергии.
- Правильная дозировка стирального порошка в зависимости от жесткости воды, степени загрязнения и объема загружаемого белья помогает избежать нерационального расхода моющего средства и загрязнения окружающей среды: хотя стиральные порошки и являются биоразлагаемыми, они содержат вещества, отрицательно влияющие на экологию. Кроме того, по возможности избегайте использовать ополаскиватели.
- Использование стиральной машины утром или вечером уменьшит пиковую нагрузку на электросеть. С помощью функции «Таймер» (см. с. 19) можно запрограммировать начало стирки с вышеуказанной целью.
- Если белье должно сушиться в автоматической сушилке, необходимо выбрать большую скорость отжима. Интенсивный отжим экономит время и электроэнергию при автоматической сушке.

Неисправности и методы их устранения

CIS

Отключение воды и электричества

- Перекрывайте водопроводный кран после каждой стирки. Таким образом сокращается износ водопроводной системы стиральной машины и устраняется вероятность протечек.
- Всегда вынимайте вилку из розетки перед мойкой и обслуживанием машины.

Уход за стиральной машиной

Внешние и резиновые части машины очищайте мягкой тканью с теплой мыльной водой. Не используйте растворители или абразивные чистящие средства.

Уход за дверцей машины и барабаном

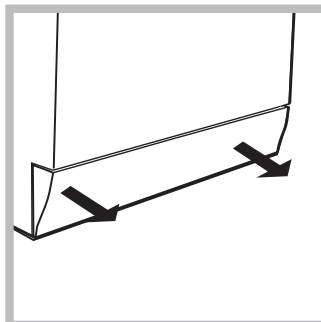
- После каждой стирки оставляйте дверцу машины полуоткрытой во избежание образования в барабане неприятных запахов и плесени.

Чистка насоса

Стиральная машина имеет сливной насос самоочищающегося типа, который не требует очистки или особого обслуживания. Однако мелкие предметы (монеты, пуговицы и др.) могут случайно попасть в насос. Для их извлечения насос оборудован «уловителем» — фильтром, доступ к которому закрыт нижней передней панелью.

! Убедитесь, что цикл стирки закончился, и отключите оборудование от сети.

Как достать предметы, упавшие в пространство между барабаном и кожухом машины:



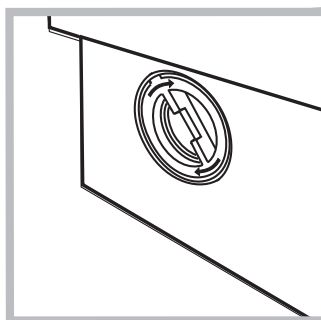
1. снимите нижний плинтус в передней части стиральной машины, потянув обеими руками за его края (смотрите рисунок);

2. выверните крышку фильтра, вращая ее против часовой стрелки (см. рис.): из насоса может вылиться немного воды – это нормальное явление.

3. тщательно прочистите фильтр изнутри;

4. заверните крышку обратно;

5. установите на место переднюю панель, предварительно убедившись, что крюки вошли в соответствующие петли.



Проверка заливного шланга

Проверяйте шланг не реже одного раза в год. При любых признаках течи или повреждения немедленно замените шланг. Во время работы машины неисправный шланг, находящийся под давлением воды, может внезапно лопнуть.

! Никогда не используйте шланги, бывшие в употреблении.

Как чистить распределитель моющих средств

Разборка:

Слегка нажмите на большую кнопку на передней стороне распределителя и вытяните его вверх (рис. 1).



Рис. 1

Чистка:

Затем промойте распределитель под струей воды (рис. 3), используя старую зубную щетку. Выньте пару сифонов, вставленных в вершину отделений 1 и 2 (рис. 4), проверьте не забиты ли они и промойте их.

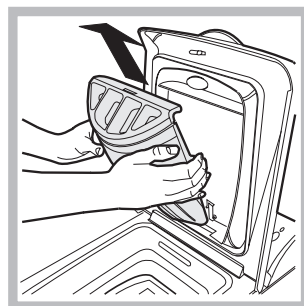


Рис. 2

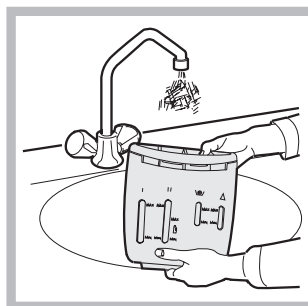


Рис. 3

Сборка:

Установите пару сифонов в специальные отверстия и затем поместите распределитель на место, вставляя его до щелчка (рис. 4, 2 и 1).

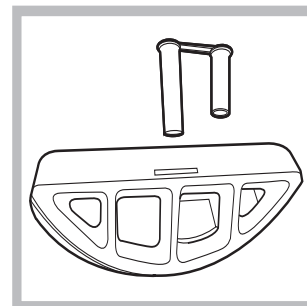


Рис. 4

В случае неудовлетворительных результатов стирки или возникновения неисправностей, прежде чем обратиться в Авторизованный Сервисный центр (см. с. 24), прочитайте этот раздел. В большинстве случаев Вы можете решить возникшие проблемы сами.

Обнаруженная неисправность:

Возможные причины / Методы устранения:

Стиральная машина не включается.

- Вилка не вставлена в розетку или вставлена плохо, не обеспечивая контакта.
- В доме отключено электричество.

Цикл стирки не запускается.

- Люк плохо закрыт (мигает индикатор Блокировки люка).
- Не была нажата кнопка (I)
- Не была нажата кнопка ПУСК/СБРОС (Start/Reset).
- Закрыт кран подачи воды.
- Была запрограммирована отсрочка запуска программы (об использовании таймера см. на с. 19).

Стиральная машина не заливает воду.

- Заливной шланг не подсоединен к крану.
- Шланг пережат.
- Закрыт кран подачи воды.
- В доме нет воды.
- Недостаточное водопроводное давление.
- Не была нажата кнопка ПУСК/СБРОС (Start/Reset).

Стиральная машина непрерывно заливает и сливает воду.

- Сливной шланг расположен ниже 65 или выше 100 см. от пола (см. с. 15).
 - Конец сливного шланга погружен в воду (см. с. 15).
 - Настенный слив не имеет сливной трубы.
- Если сливной шланг встроен в канализацию, имейте в виду, что на верхних этажах может создаваться «сифонный эффект» — машина одновременно сливает и заливает воду. Для предотвращения подобного эффекта устанавливается специальный клапан (антисифон).

Стиральная машина не производит слив и отжим.

- Выбранная программа не предусматривает слив воды — для некоторых программ необходимо включить слив вручную (см. с. 18).
- Активизирована дополнительная функция Легкая глажка: для завершения программы нажмите кнопку ПУСК/СБРОС (Start/Reset) (см. с. 19).
- Сливной шланг пережат (см. с. 15) или засорен.
- Засор в канализации.

Сильная вибрация при отжиге.

- При установке стиральной машины барабан был разблокирован неправильно (см. с. 14).
- Стиральная машина плохо выровнена (см. с. 14).
- Зазор между машиной и стеной/мебелью недостаточен (см. с. 14).

Протечки воды из стиральной машины.

- Плохо закреплен заливной шланг (гайка на конце шланга неплотно затянута и неправильно установлена прокладка (см. с. 14).
- Распределитель моющих средств забит остатками моющих средств (о чистке распределителя см. с. 22).
- Плохо закреплен сливной шланг (см. с. 15).

Индикатор ВКЛЮЧЕНИЕ/ЛЮК ЗАБЛОКИРОВАН часто мигает одновременно с любым другим индикатором.

- Выключите машину и выньте штепсельную вилку из электророзетки, подождите 1 минуту и вновь включите машину. Если неисправность не устраняется, обратитесь в Технический Сервис.

Избыточное пенообразование.

- Используется моющее средство, неподходящее для автоматических стиральных машин с фронтальной загрузкой.
- Передозировка моющего средства.

Если после проверки машина продолжает работать не должным образом, обратитесь в **Авторизованный Сервисный центр** за помощью. (см. с. 24)

Перед тем как обратиться в Авторизованный Сервисный центр:

- Убедитесь, что вы не можете устранить неисправность самостоятельно (см. с. 23).
- Запустите программу повторно для проверки исправности машины.
- В противном случае обратитесь в Авторизованный Сервисный центр по телефону, указанному в гарантийном документе.

! *Не пользуйтесь услугами лиц, не уполномоченных Производителем.
При ремонте требуйте использования оригинальных запасных частей.*

При обращении в Авторизованный Сервисный центр сообщите:

- тип неисправности;
- номер гарантийного документа (сервисной книжки, сервисного сертификата и т.п.);
- модель машины (Мод.) и серийный номер (S/N), указанные в информационной табличке, расположенной на задней панели стиральной машины.

INSTRUCȚIUNI DE FOLOSIRE

MAȘINĂ DE SPĂLAT RUFEE

RO

RO

Română

WITL 106

Sumar

Instalare, 26-27

Scoaterea din ambalaj și nivelarea, 26
Legături hidraulice și electrice, 26-27
Primul ciclu de spălare, 27
Date tehnice, 27

Descrierea mașinii de spălat, 28-29

Panoul de control, 28
Cum se deschide și închide coșul, 28
Display-ul, 29

Pornire și Programe, 30

Pe scurt: pornirea unui program, 30
Tabel de programe, 30

Personalizări, 31

Reglarea temperaturii, 31
Fixarea vitezei de centrifugare, 31
Opțiuni, 31

Detergenți și rufe albe, 32

Sertarul detergenților, 32
Ciclu de albire, 32
Prepararea rufelor, 32
Rufe deosebite, 32

Precauții și sfaturi, 33

Protecție generală, 33
Aruncarea reziduurilor, 33
Protecția și respectarea mediului înconjurător, 33

Întreținere și îngrijire, 34

Oprirea apei și a curentului electric, 34
Curățarea mașinii de spălat, 34
Îngrijirea hubloului și a coșului, 34
Curățarea pompei, 34
Controlarea tubului de alimentare cu apă, 34
Curățarea sertarului de detergenți, 34

Anomalii și remedii, 35

Asistență, 36

Înainte de a lua legătura cu Asistența, 36



Instalare

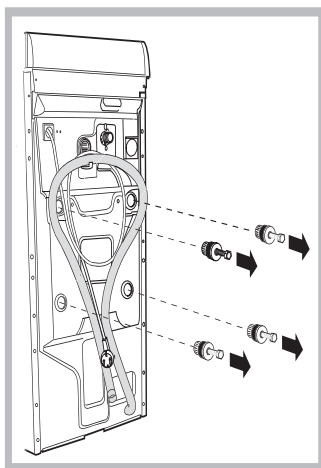
RO

! Este important să se păstreze acest manual pentru a-l putea consulta în orice moment. În caz de vânzare, de cesiune sau de schimbare a locuinței, acesta trebuie să rămână împreună cu mașina de spălat pentru a informa noul proprietar cu privire la funcționare și la respectivele avertismente.

! Citiți cu atenție instrucțiunile: veți găsi informații importante cu privire la instalare, la folosire și la siguranță.

Scoaterea din ambalaj și nivelarea

Scoaterea din ambalaj



1. Scoateți din ambalaj a mașinii de spălat.
2. Controlați ca mașina de spălat să nu fi fost deteriorată în timpul transportului. Dacă este deteriorată nu o conectați și luați legătura cu cine v-a vândut-o.

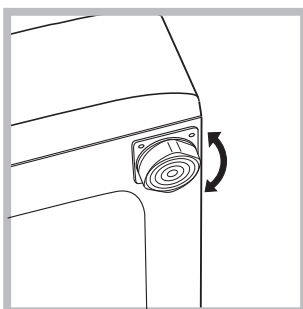
3. Scoateți cele patru șuruburi de protecție pentru transport și cauciucul cu respectivelor distanțator, situate în partea posterioară (vezi figura).

4. Închideți orificiile cu dopurile din plastic aflate în dotare.
5. Păstrați toate piesele: pentru cazul în care mașina de spălat va trebui să fie transportată, piesele vor trebui montate din nou.

Atenție. Dacă doriți să refolosiți șuruburile, amintiți-vă că cele scurte se vor monta în partea de sus.

! Ambalajele nu constituie jucării pentru copii

Nivelare



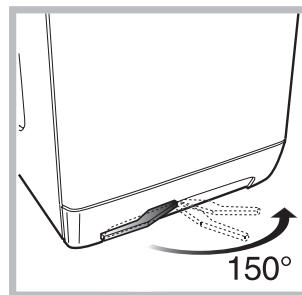
1. Instalați mașina de spălat pe un paviment plan și rigid, fără a o sprijini de ziduri, mobilă sau altceva.

2. Dacă podeaua nu este perfect orizontală, compensați neregularitățile deșurubând sau înșurubând

picioarele anterioare (vezi figura); unghiul de înclinare, măsurat pe planul de lucru, nu trebuie să depășească 2°.

O nivelare precisă conferă stabilitate mașinii și evită vibrații, zgomote și deplasări pe timpul funcționării. În cazul mochetelor sau a unui covor, reglați picioarele astfel încât să mențineți sub mașina de spălat un spațiu suficient pentru ventilare.

Amplasare, deplasare

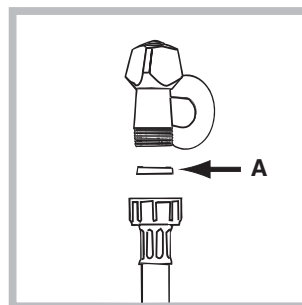


Dacă mașina dvs. de spălat este dotată cu un carucior special cu roți retractabile, atunci deplasarea ei se realizează foarte ușor. Pentru a coborî caruciorul și a o deplasa, trageți de maneta neagră situată

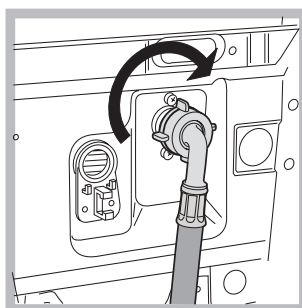
jos, în partea stângă, chiar sub picior. După ce ați mutat-o, ridicați-i roțile, pentru a o aduce în poziția inițială. Astfel, ea este așezată solid. (a se vedea figura; numai pe anumite modele).

Legături hidraulice și electrice

Conectarea tubului de alimentare cu apă



1. Introduceți garnitura A în extremitatea tubului de alimentare și înșurubați-l la un robinet de apă rece cu gura filetată de 1/2" gaz (vezi figura). Înainte de conectare, lăsați apa să curgă pentru a se limpezii.



2. Conectați tubul de alimentare la mașina de spălat, înșurubându-l la respectiva priză de apă, în partea posterioară, sus în dreapta (vezi figura).

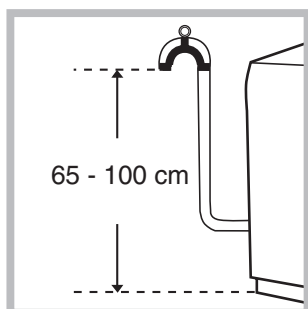
3. Fiți atenți ca tubul să nu fie nici curbat nici îndoit.

! Presiunea apei trebuie să fie cuprinsă în valorile tabelului Date tehnice (vezi pagina alăturată).

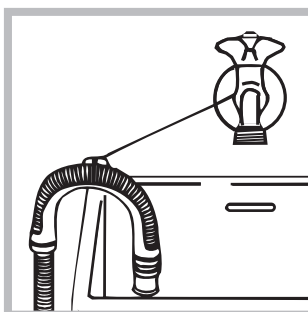
! Dacă lungimea tubului de alimentare nu este suficientă, adresați-vă unui magazin specializat sau unui tehnician autorizat.

! Nu folosiți tuburi deja folosite.

Conectarea tubului de evacuare



Conectați tubul de evacuare, fără a-l îndoi, la o conductă de evacuare sau la o gură de evacuare în zid, situate între 65 și 100 cm de pământ;



sau sprijiniți-l pe marginea unei chiuvete sau a unei căzi, legând ghidul aflat în dotare, de robinet (vezi figura). Extremitatea liberă a tubului de evacuare nu trebuie să rămână cufundată în apă.

! Nu este recomandabilă folosirea tuburilor de prelungire; dacă este indispensabil, tubul de prelungire trebuie să aibă același diametru cu tubul original și nu trebuie să depășească 150 cm.

Legătura electrică

Înainte de a introduce fișa în priză de curent, asigurați-vă ca:

- priza să fie cu împământare și conform prevederilor de lege;
- priza să poată suporta sarcina maximă de putere a mașinii, indicată în tabelul cu Date tehnice (vezi alături);
- tensiunea de alimentare să fie cuprinsă în valorile indicate în tabelul cu Date tehnice (vezi alături);
- priza să fie compatibilă cu fișa mașinii de spălat. În caz contrar înlocuiți priza sau fișa.

! Mașina de spălat nu trebuie instalată afară, nici chiar în cazul în care spațiul este adăpostit, deoarece este foarte periculoasă expunerea mașinii la ploaie și furtuni.

! După instalarea mașinii de spălat, priză de curent trebuie să fie ușor accesibilă.

! Nu folosiți prelungitoare și prize multiple.



! Cablul nu trebuie să fie îndoit sau comprimat.

! Cablul de alimentare trebuie să fie înlocuit doar de tehnicienii autorizați.

Atenție! Producătorul își declină orice responsabilitate pentru cazul în care aceste norme nu se respectă.

Primul ciclu de spălare

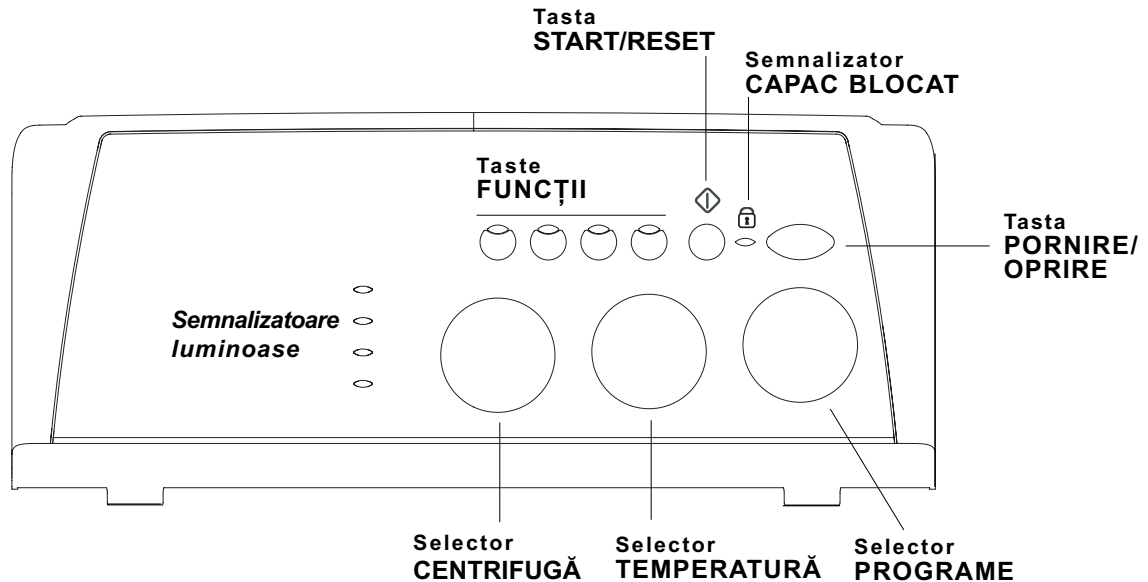
După instalare, înainte de folosire, efectuați un ciclu de spălare cu detergent și fără rufe, selectând programul la 90°C fără prespălare.

Date tehnice	
Model	WITL 106
Dimensiuni	lărgime 40 cm înălțime 85 cm profundzime 60 cm
Capacitate	de la 1 la 5 kg
Legături electrice	Vezi placuta cu caracteristicile tehnice, aplicata pe masina.
Legături hidrice	presiune maximă 1 MPa (10 bari) presiune minimă 0,05 MPa (0,5 bari) capacitatea cuvei 42 litri
Viteza de centrifugare	până la 1000 de rotații pe minut
Programe de control pe baza normei EN 60456	programul 2 temperatura 60°C; efectuată cu 5 kg de rufe.
 	Acest aparat este conform cu următoarele Directive Comunitare: 89/336/CEE din data de 03/05/89 (Compatibilitate Electromagnetică) și modificări succesive - 2006/95/CE (Tensiuni Joase) - 2002/96/CE
Zgomot (dB(A) re 1 pW)	Spălare: 66 Centrifugare: 77

Descrierea mașinii de spălat

RO

Panoul de control



Sertarul detergenților pentru a încărca detergenți și aditivi (vezi pag. 32).

Indicatoare luminoase: pentru a putea urmări derularea programului de spălare ales
O dată selectată funcția Delay Timer, momentul de așteptare va fi cronometrat astfel încât dvs. să puteți afla timpul rezidual până la inițierea programului de spălare (a se vedea pag. 29).

Tastele de **FUNCȚII** pentru a selecta funcțiile disponibile. Tasta corespunzătoare funcției selectate va rămâne aprinsă.

Selector **CENTRIFUGĂ**: este folosit pentru a selecta/exclude programul de stoarcere (a se vedea pag. 31).

Selectorul de **TEMPERATURĂ** pentru a regla temperatura sau spălarea la rece (vezi pag. 31).

Tasta **PORNIRE/OPRIRE** pentru a porni și opri mașina de spălat.

Tasta **START/RESET** pentru a activa programele sau a anula datele selectate greșit.

Tasta **PORNIRE/CAPAC BLOCAT** pentru a evidenția funcționarea mașinii (semnal intermitent) sau terminarea programului (numai în acel moment capacul poate fi deschis) (vezi pag. 28).

Selectorul de **PROGRAME** pentru a selecta programele dorite (vezi pag. 30).

Pe durata desfășurării programului selectorul nu se mișcă.

Indicator PORNIRE/UȘĂ BLOCATĂ :

Aprinderea Indicatorului luminos indică faptul că capac a fost blocat în scopul evitării deschiderilor accidentale; pentru a evita daune, este necesar să se aștepte ca indicatorul luminos să se aprindă înainte de a deschide capac.

! Intermitența rapidă a indicatorului luminos PORNIRE/UȘĂ BLOCATĂ în același timp cu acela al unuia sau mai multor indicatoare luminoase indică o anomalie (a se vedea pag. 35).

Cum se deschide și închide coșul

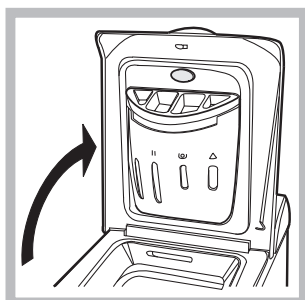


Fig. 1

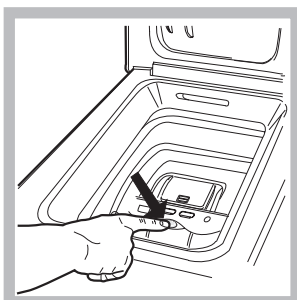


Fig. 2

A) Deschiderea capacului superior (Fig. 1):
Ridicați capacul extern și deschideți-l complet.

B) Deschiderea coșului (soft opening):
Apăsați cu un deget pe butonul din figura 2: coșul se va deschide lent.

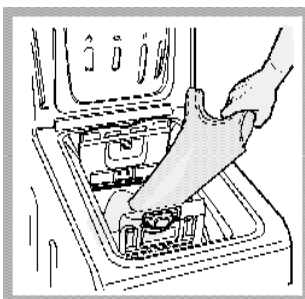


Fig. 3

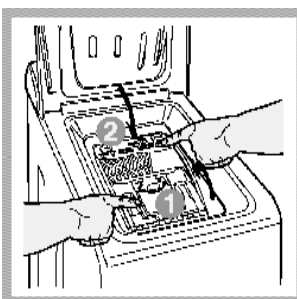


Fig. 4

C) Introducerea rufelor (Fig. 3)

D) Închiderea (Fig. 4):

- închideți coșul apropiind mai întâi ușa anterioară iar apoi pe cea posterioară;
- asigurați-vă că și cârligele ușii anterioare sunt montate în partea de sus și se îmbină perfect cu locașul de pe ușa posterioară;
- după ce ați auzit zgomotul de prindere, apăsați ușor în jos cele două uși (fiți atenți să nu se desprindă una de cealaltă);
- închideți capacul exterior.

Indicatoare luminoase

Indicatoarele luminoase furnizează informații importante, după cum urmează:

Programarea momentului de pornire după un anumit interval de timp:

Dacă a fost activată funcția Delay Timer (a se vedea pag. 31), după ce programul ales a fost inițiat, va începe să semnalizeze indicatorul luminos corespunzător întârzierii selectate:



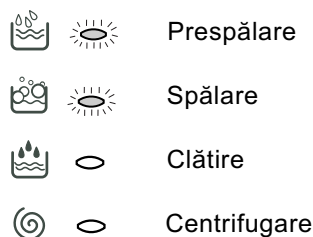
Durata de așteptare va fi cronometrată și semnalată prin aprinderea indicatorului respectiv:



După trecerea întârzierii selecționate, indicatorul luminos se va stinge și va porni programul selectat.

Fază în curs:

Pe durata ciclului de spălare, indicatoarele luminoase se vor aprinde în mod progresiv pentru a indica starea de avansare:



Notă: pe durata evacuării, indicatorul luminos aferent programului de stoarcere se va aprinde.

Taste funcționare

TASTELE DE FUNCȚIONARE îndeplinesc și rolul de indicatoare luminoase.

Activând o anumită funcție, butonul aferent acesteia se va aprinde.

Dacă funcția selectată nu este compatibilă cu programul ales, butonul va lumina intermitent, iar funcția aferentă nu va putea fi activată.

În cazul în care va fi selectată o funcție incompatibilă cu cea selectată mai înainte, doar ultima aleasă va rămâne activă.

Pornire și Programe




RO

Pe scurt: pornirea unui program

1. Porniți mașina de spălat apăsând butonul (I). Toate indicatoarele luminoase se vor aprinde timp de câteva secunde, după care se vor stinge, iar indicatorul PORNIRE/CAPAC BLOCAT va lumina intermitent.
2. Puneți rufe în mașină, adăugați detergentul și aditivii (vezi pag. 32) după care închideți ușițele și capacul.
3. Selectați programul dorit cu ajutorul selectorului PROGRAME.

4. Stabiliți temperatura de spălare (a se vedea pag. 31).
5. Selectați viteza de centrifugare (a se vedea pag. 31).
6. Porniți programul apăsând butonul START/RESET.
Pentru a anula țineți apăsat butonul START/RESET timp de cel puțin 2 secunde.
7. La sfârșitul programului ales, indicatorul luminos PORNIRE/CAPAC BLOCAT se va aprinde, indicând faptul că hubloul poate fi deschis. Scoateți rufe și lăsați hubloul întredeschis pentru a evita formarea mirosurilor nepăcute în interiorul cuvei. Închideți apoi mașina de spălat apăsând pe butonul (I).

Tabel de programe

Tipul de țesătură și de murdărie	Programe	Temperatură	Detergent		Aditiv înmuiere	Opțiune Antipată / Decolorant	Durata ciclului (minute)	Descrierea ciclului de spălare
			presp.	Spăl.				
Standard								
Bumbac: Albe extrem de murdare (cearceafuri, fețe de masă, etc.)	1	90°C	•	•	•		167	Prespălare, spălare, clătiri, turații de centrifugare, intermediare și finale
Bumbac: Albe extrem de murdare (cearceafuri, fețe de masă, etc.)	2	90°C		•	•	Delicată / Tradițională	152	Spălare, clătiri, turații de centrifugare, intermediare și finale
Bumbac: Albe și colorate rezistente foarte murdare	2	60°C		•	•	Delicată / Tradițională	150	Spălare, clătiri, turații de centrifugare, intermediare și finale
Bumbac: Albe și colorate delicate foarte murdare	2	40°C		•	•	Delicată / Tradițională	140	Spălare, clătiri, turații de centrifugare, intermediare și finale
Bumbac: Albe puțin murdare și culori delicate (cămăși, bluze, etc.)	3	40°C		•	•	Delicată / Tradițională	99	Spălare, clătiri, turații de centrifugare, intermediare și finale
Sintetice: Culori rezistente foarte murdare (scutece pentru noi născuți, etc.)	4	60°C		•	•	Delicată	80	Spălare, clătiri, "antișifonare" sau centrifugare delicată
Sintetice: Culori rezistente foarte murdare (scutece pentru noi născuți, etc.)	4	40°C		•	•	Delicată	71	Spălare, clătiri, "antișifonare" sau centrifugare delicată
Sintetice: Culori delicate (rufe de toate tipurile puțin murdare)	5	40°C		•	•	Delicată	71	Spălare, clătiri, sau centrifugare delicată
Lână	6	40°C		•	•		50	Spălare, clătiri, "antișifonare" și centrifugare delicată
Țesături foarte delicate (perdele, mătase, vâscoză, etc.)	7	30°C		•	•		52	Spălare, clătiri, "antișifonare" sau evacuare
Timp pentru tine								
Bumbac: Albe și colorate rezistente foarte murdare	8	60°C		•	•		60	Spălare, clătiri, centrifugi intermediare și finale
Bumbac: Albe puțin murdare și culori delicate (cămăși, bluze, etc.)	9	40°C		•	•		50	Spălare, clătiri, centrifugi intermediare și finale
Sintetice: Culori delicate (rufe de toate tipurile puțin murdare)	10	40°C		•	•		40	Spălare, clătiri și centrifugare delicată
Sintetice: Culori delicate (rufe de toate tipurile puțin murdare)	11	30°C		•	•		30	Spălare, clătiri și centrifugare delicată
Sport								
Încălțăminte sportivă (MAX 2 perechi.)	12	30°C		•	•		50	Spălare la rece (fără detergent), spălare, clătiri și centrifugă delicată
Țesături pentru îmbrăcăminte sportivă (Treninguri, chiloți de gimnastică, etc.)	13	30°C		•	•		63	Spălare, clătiri, centrifugi intermediare și finale
PROGRAME PARȚIALE								
Clătire					•	Delicată / Tradițională		Clătiri și centrifugare
Centrifugare								Evacuare apă și centrifugare
Evacuare								Evacuare

Note:

- Pentru programele 8-9 este recomandabil să nu se depășească o cantitate de rufe de 3,5 kg.
- Pentru programul 13 este recomandabil să nu se depășească o cantitate de rufe de 2 kg.
- Antișifonare-vezi „calcă mai ușor”, pagina alăturată. Datele specificate în tabel au valoare indicativ

Program special

Zilnic 30' (programul 11 pentru materiale sintetice) este studiat pentru a spăla rufe puțin murdare într-un interval scurt de timp: durează doar 30 de minute economisindu-se energie și timp. Selectând programul (11 la 30°C) este posibilă spălarea împreună a țesăturilor de diverse tipuri (excluse lâna și mătasea) cu o încărcătură maximă de 3 kg. *Se recomandă folosirea detergentului lichid.*

Stabilirea temperaturii de spălare

Temperatura de spălare se obține prin rotirea selectorului TEMPERATURĂ până ajungeți în dreptul valorilor dorite. (a se vedea Tabelul de programe de la pag. 30).


Puteți folosi și spălarea la rece (❄).

Fixarea vitezei de centrifugare

Viteza de centrifugare se obține prin rotirea selectorului CENTRIFUGĂ până ajungeți în dreptul valorilor dorite.

Vitezele maxime prevăzute pentru programe sunt:

Programe	Viteză maximă
Bumbac	1000 rotații pe minut
Sintetice	800 rotații pe minut
Lână	600 rotații pe minut
Mătase	nu

Viteza de centrifugare poate fi redusă sau exclusă selectând simbolul .

Mașina va împiedica în mod automat efectuarea unei stoarceri la valori excesive în raport cu cele maxime prevăzute pentru fiecare program.

! Pentru a evita vibrarea excesivă, înainte de stoarcere, mașina va distribui cantitatea de rufe în mod uniform, efectuând câteva rotații complete la o turație mai mare în raport cu turația de spălare.

Dacă, după numeroase încercări, mașina nu reușește să echilibreze încărcătura, stoarcerea rufelor se va face la o turație mai mică decât cea prevăzută de program.

Dacă dezechilibrul este prea mare (în cazul încărcărilor excesive), mașina va încerca să redistribuie încărcătura înainte de a efectua stoarcerea.







Aceste încercări pot prelunge durata totală a unui program cu maxim 10 minute.

Funcții

Diferitele funcții de spălare prevăzute pentru mașina de spălat permit obținerea unor rezultate excepționale (o calitate îmbunătățită a spălării-rufe curate, etc.). Pentru a activa aceste funcții, procedați astfel:

1. apăsați butonul aferent funcției dorite, ținând cont de informațiile conținute în tabelul de mai jos;
2. aprinderea butonului respectiv indică faptul că funcția respectivă a fost activată.

Notă: Intermitența rapidă a butonului indică faptul că funcția respectivă nu este selecționabilă pentru programul ales.

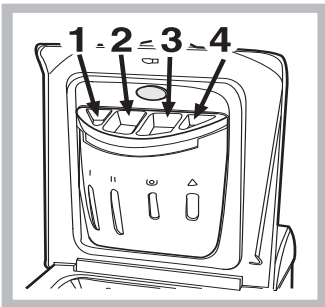
O opțiune	Efect	Note pentru folosire	Activă cu programele:
Delay Timer 	Întârzie pornirea mașinii până la 9 de ore.	Apăsați de mai multe ori până la aprinderea butonului aferent programării momentului de pornire după un anumit interval de timp. La a cincia apăsare a butonului, funcția se va dezactiva. Notă: După apăsarea butonului Start/Reset, puteți modifica intervalul stabilit pentru inițierea momentului de pornire doar prin diminuare.	Toate
Anti-pată Înălbire 	Ciclu de decolorare adecvat pentru eliminarea petelor mai rezistente.	A se vărsa decolorantul în sertarul adițional 4 (a se vedea pag. 32) În acest moment nu puteți utiliza funcția CALCĂ MAI UȘOR.	2, 3, 4, 5, Clătiri.
Calcă mai ușor 	Reduce pliurile la țesături facilitând călcarea.	Selectând această opțiune, programele 3, 4, 5, 6, 7, 8, 9, 10 și Clătire delicată se întrerup cu rufele la înmuiat (antișifonare) iar icoana  va semnaliza: - pentru a completa ciclul apăsați pe butonul START/RESET; - pentru a efectua doar descărcarea poziționați selectorul pe simbolul respectiv  și apăsați pe butonul START/RESET. Nu este compatibil cu opțiunea ALBIRE.	3, 4, 5, 6, 7, 8, 9, 10, Clătiri.
Extra Clătire 	Mărește eficacitatea clătirii.	Se recomandă cu mașina plină sau cu doze elevate de detergent.	1, 2, 3, 4, 5, 8, 9, 10, 12, 13 Clătiri.

Detergenți și rufe albe

RO

Sertarul detergenților

Un rezultat bun la spălare depinde și de dozarea corectă a detergentului: cu un exces de detergent nu se spală în mod mai eficient și se contribuie la în crustarea părților interne ale mașinii de spălat și poluarea mediului înconjurător.



Extrageți sertarul pentru detergenți și introduceți detergentul sau aditivul după cum urmează:

sertarul 1: Detergent pentru prespălare (sub formă de praf)

sertarul 2: Detergent pentru spălare (praf sau lichid)

Detergentul lichid se dozează cu vasul din dotare și se pune direct în coș.

! Nu folosiți detergenți pentru spălare manuală, deoarece formează prea multă spumă.

sertarul 3: Aditivi (soluție de înmuiat, etc.)



Când turnați lichidul de înmuiat în sertarul 3, fiți atenți să nu depășiți nivelul maxim indicat. Lichidul este preluat în mod automat de mașina, în timpul ultimei operații de limpezire. La sfârșitul programului, în sertarul 3 veți găsi puțină apă. Acest lucru servește la diluarea și preluarea lichidelor de înmuiat foarte dense sau concentrate. Dacă în sertarul 3 rămâne apă în cantitate mare (mai multă decât de obicei), dispozitivul de golire este înfundat. Pentru curățarea acestuia, citiți la pagina 34.

sertar adițional 4: Decolorant

Ciclu de albire

Decolorantul **tradițional** se folosește pentru țesături rezistente albe, iar cel **delicat** pentru țesături colorate, sintetice și pentru lână. Când dozați decolorantul nu depășiți nivelul „max” indicat pe sertarul 4 (vezi figura).

Pentru a efectua numai albirea rufelor, turnați înălbitorul în caseta 4, selectați programul de clătire

 și apăsați pe tasta funcției Anti-pată .

Prepararea rufelor

- Subdivizați rufe în funcție de:
 - tipul de țesătură / simbolul de pe etichetă.
 - culori: separați rufe colorate de cele albe.
- Goliți buzunarele și controlați nasturii.
- Nu depășiți valorile indicate, referitoare la greutatea rufelor uscate:
 - Țesături rezistente: max 5 kg
 - Țesături sintetice: max 2,5 kg
 - Țesături delicate: max 2 kg
 - Lână: max 1 kg

Cât cântăresc rufele?

- 1 cearceaf: 400-500 g.
- 1 față de pernă: 150-200 g.
- 1 față de masă: 400-500 g.
- 1 halat de baie: 900-1.200 g.
- 1 prosop: 150-250 g.

Rufe deosebite

Perdele: împăturiți-le și așezați-le într-o față de pernă sau într-un sac de tip plasă. Spălați-le singure fără a depăși o jumătate din încărcătură. Folosiți programul 11 care exclude centrifugarea.

Plăpumi și haine de vânt: dacă căptușeala este din fulgi de gâscă sau de rață se pot spăla în mașina de spălat. Întoarceți lucrurile pe dos și formați o încărcătură maximă de 2-3 kg, repetând clătirea o dată sau de două ori și utilizând centrifuga delicată.

Adidași și teniși: curățați-i de noroi. Se pot spăla împreună cu blugii și cu lucrurile rezistente, însă nu cu rufe albe.

Lână: pentru a obține cele mai bune rezultate, folosiți un detergent specific și nu depășiți 1 kg de rufe.

! Mașina de spălat a fost proiectată și construită conform normelor internaționale de protecție. Aceste avertizări sunt furnizate din motive de siguranță și trebuie să fie citite cu atenție.

Protecție generală

- Acest aparat a fost conceput pentru o folosire de uz casnic, nu profesională, iar funcțiunile sale nu trebuie alterate.
- Mașina de spălat trebuie să fie folosită doar de persoane adulte și respectând instrucțiunile din acest manual.
- Nu atingeți mașina când sunteți desculți sau cu mâinile sau picioarele ude sau umede.
- Nu scoateți fișa din priza de curent trăgând de cablu, ci trăgând de fișă.
- Nu deschideți sertarul detergenților în timp ce mașina se află în funcțiune.
- Nu atingeți apa de evacuare, care poate atinge temperaturi elevate.
- Nu forțați în nici un caz hubloul: s-ar putea deteriora mecanismul de siguranță care protejează deschiderile accidentale.
- În caz de defecțiune, nu umblați în nici un caz la mecanismele interne pentru a încerca să reparați mașina de spălat.
- Controlați mereu ca în apropierea mașinii aflate în funcțiune, să nu se afle copii.
- Pe durata spălării hubloul are tendința de a se încălzi.
- Dacă trebuie să fie deplasată, faceți acest lucru în două sau trei persoane, cu maximă atenție. Niciodată nu deplasați mașina singuri deoarece aceasta este foarte grea.
- Înainte de a introduce rufele, controlați ca în interior să fie goală.

Aruncarea reziduurilor

- Directiva Europeană 2002/96/CE cu privire la deșeurile care provin de la aparatura electrică sau electronică prevede ca aparatele electrocasnice să nu fie colectate împreună cu deșeurile urbane solide, obișnuite. Aparatele scoase din uz trebuie să fie colectate separat atât pentru a optimiza rata de recuperare și de reciclare a materialelor componente cât și pentru a evita pericolele care pot duce la dăunarea sănătății omului sau poluarea

mediului înconjurător. Simbolul tomberonului tăiat care apare pe toate produsele vă amintește tocmai obligația de a le colecta separat.

Pentru informații suplimentare cu privire la scoaterea din uz a electrocasnicelor, deținătorii acestora pot apela la centrele de colectare a deșeurilor sau la vânzătorii de la care au achiziționat produsele respective.

- Aruncarea materialelor de ambalare: respectați normele locale, în acest fel ambalajele vor putea fi reutilizate.
- Aruncarea mașinii de spălat vechi: înainte de a o arunca, faceți-o inutilizabilă tăindu-i cablul de alimentare electrică și scoțându-i hubloul.

Protecția și respectarea mediului înconjurător

Tehnologia la dispoziția mediului înconjurător

Dacă prin hubloul se vede puțină apă este pentru că datorită noii tehnologii Indesit, este suficientă mai puțin de jumătate din apă pentru a obține o curățare maximă: un scop atins pentru respectarea mediului înconjurător.

Economisirea de detergent, apă, energie și timp

- Pentru a economisi detergent, apă, timp folosiți încărcătura maximă.
O încărcare totală în locul a două jumătăți, permite economisirea de până la 50% din energie.
- Prespălarea este necesară doar pentru rufele foarte murdare. Evitarea acesteia permite economisirea de detergent, timp, apă și între 5 și 15% din energie.
- Tratând petele cu o substanță pentru îndepărtarea acestora și lăsându-le la înmuiat înainte se spălare, reduce necesitatea de a spăla la temperaturi mari. Un program la 60°C în locul unuia la 90°C sau unul la 40°C în locul unuia la 60°C, permit economisirea unui procent de până la 50% de energie.
- Dozați bine detergentul în funcție de duritatea apei, de gradul de murdărie și de cantitatea de rufe, pentru a evita risipe și pentru a proteja mediul înconjurător: deși sunt biodegradabili, detergenții conțin elemente care alterează echilibrul naturii. În afară de aceasta evitați pe cât posibil aditivul de înmuiere.
- Efectuând spălări începând de seara și până la primele ore ale dimineții, se colaborează pentru reducerea sarcinii de absorbire a întreprinderilor electrice. Opțiunea Delay Timer (vezi pag. 31) ajută mult la organizarea spălărilor în acest sens.
- Dacă rufele trebuie uscate într-un uscător, selectați o viteză mare pentru centrifugă. Cantitatea redusă de apă permite economisirea de timp și energie electrică la programul de uscare.

Întreținere și îngrijire

RO

Oprirea apei și a curentului electric

- Închideți robinetul de apă după fiecare spălare. Se limitează astfel uzare instalației hidraulice a mașinii de spălat și se elimină pericolul scurgerilor.
- Scoateți fișa din priza de curent atunci când curățați mașina de spălat și când se efectuează lucrări de întreținere.

Curățarea mașinii de spălat

Partea externă și părțile din cauciuc pot fi curățate cu o cârpă înmuiată în apă caldă și săpun. Nu folosiți solvenți sau substanțe abrazive.

Curățarea sertarului pentru detergenți

Scoateți sertarul ridicându-l și trăgându-l spre exterior (vezi figura):
Spălați-l cu apă; această curățare trebuie efectuată frecvent.

Îngrijirea hublouului și a coșului

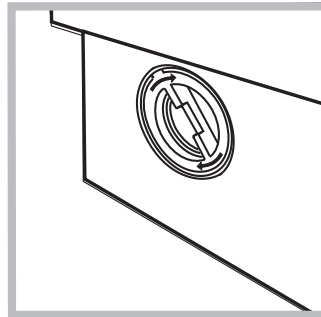
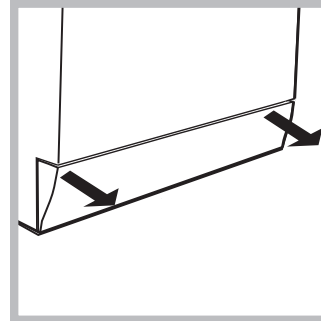
- Lăsați mereu hublouul întredeschis pentru a evita formarea de mirosuri urâte.

Curățarea pompei

Mașina de spălat este echipată cu o pompă autocurățătoare care nu are nevoie de întreținere. Se poate întâmpla însă ca obiecte mici (monede, nasturi) să cadă în precamera care protejează pompa, situată în partea inferioară a acesteia.

! Verificați ca ciclul de spălare să fie terminat și scoateți din priză.

Pentru a scoate obiectele care au căzut în anticamera coșului:



- scoateți piesa din partea anterioară și inferioară a mașinii de spălat trăgând de marginile ei (vezi fig.)
- deșurubați capacul rotindu-l în sens invers (vezi figura): este normal să iasă puțină apă;
- curățați cu grijă interiorul;
- montați din nou capacul;
- montați din nou panoul verificând, înainte de a-l împinge spre mașină, de a fi introdus cârligele în orificiile respective.

Controlarea tubului de alimentare cu apă

Controlați tubul de alimentare cel puțin o dată pe an. Dacă prezintă crăpături sau fisuri trebuie înlocuit: pe parcursul spălărilor, presiunile puternice ar putea provoca crăpături neașteptate.

! Nu folosiți tuburi deja folosite.

Curățarea sertarului de detergenți

Demontarea:

Apăsăți ușor pe tasta din partea de jos a sertarului și ridicați-l (fig. 1).



Fig. 1

Curățarea:

Spălați-l sub jetul de la robinet (fig. 3) cu o periuță de dinți; demontați sifoanele din partea superioară a compartimentelor 1 și 2 (fig. 4) și asigurați-vă că nu sunt înfundate – în caz contrar, curățați-le.

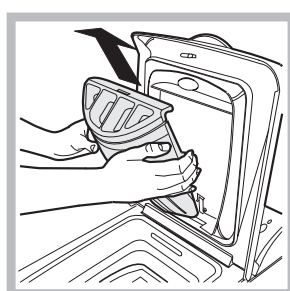


Fig. 2

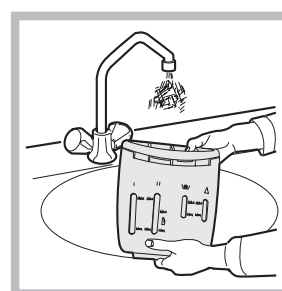


Fig. 3

Remontarea:

Amintiți-vă să montați la loc sifoanele, după care poziționați sertarul în locul său (fig. 4, 2, 1).

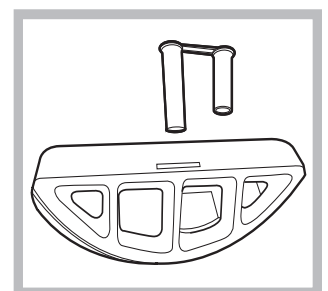


Fig. 4

Se poate întâmpla ca mașina de spălat să nu funcționeze. Înainte de a telefona la Asistență (vezi pag. 36), verificați dacă această problemă nu poate fi remediată de dvs., astfel:


Anomalii:

Cauze posibile / Rezolvare:

Mașina de spălat nu se aprinde.

- Fișa nu este introdusă sau nu a fost suficient introdusă în priză de curent astfel încât să existe conexiune electrică.
- În casă nu este curent electric.

Ciclul de spălare nu pornește.

- Ușa nu este închisă bine (ledul Capac Blocat emite o lumină intermitentă).
- Butonul  nu a fost apăsat.
- Butonul START/RESET nu a fost apăsat.
- Robinetul de apă nu este deschis
- A fost fixată o întârziere de pornire (Delay Timer, vezi pag. 31).

Mașina de spălat nu încarcă apă.

- Tubul de alimentare cu apă nu este conectat la robinet.
- Tubul este îndoit.
- Robinetul de apă nu este deschis
- În casă lipsește apa.
- Nu este presiune suficientă.
- Butonul START/RESET nu a fost apăsat.

Mașina de spălat încarcă și evacuează apă continuu.

- Tubul de evacuare nu a fost instalat la o distanță cuprinsă între 65 și 100 cm de pământ (vezi pag. 27).
 - Extremitatea tubului de evacuare este cufundată în apă (vezi pag. 27).
 - Evacuarea din perete nu are răsuflare pentru aer.
- Dacă după aceste verificări problema nu se rezolvă, închideți robinetul de apă, opriți mașina de spălat și chemați Asistența. Dacă locuința se află la ultimele etaje ale unui edificiu, este posibil să aibă loc fenomene de sifonare, motiv pentru care mașina de spălat încarcă și evacuează apă încontinuu. Pentru a elimina acest inconvenient, se găsesc în comerț supape anti-sifonare.

Mașina de spălat nu evacuează sau nu centrifughează.

- Programul nu prevede evacuarea apei: cu unele programe este necesar să se pornească manual (vezi pag. 30).
- Este activă opțiunea Calcă mai puțin: pentru a completa programul apăsați pe butonul START/RESET (vezi pag. 31).
- Tubul de evacuare este îndoit (vezi pag. 27).
- Conducta de evacuare este înfundată.

Mașina de spălat vibrează foarte mult pe timpul centrifugării.

- Coșul, în momentul instalării, nu a fost deblocat în mod corect (vezi pag. 26).
- Mașina de spălat nu se află în plan orizontal (vezi pag. 26).
- Mașina de spălat este fixată foarte puternic între mobilă și zid (vezi pag. 26).

Mașina de spălat pierde apă.

- Tubul de alimentare cu apă nu este bine înșurubat (vezi pag. 26).
- Sertarul detergenților este înfundat (pentru a-l curăța vezi pag. 34).
- Tubul de evacuare nu este fixat bine (vezi pag. 27).

Butonul PORNIRE/CAPAC BLOCAT se aprinde în mod rapid și în același timp cu cel puțin un alt indicator.

- Opriți mașina și scoateți ștecherul din priză; așteptați aprox. 1 minut înainte de a o reporni.
- Dacă nu obțineți nici un rezultat, apăsați la Centrul de Service pentru asistență.

Se formează prea multă spumă.

- Detergentul nu este specific pentru mașina de spălat (trebuie să fie scris „pentru mașina de spălat”, „de mână sau în mașina de spălat”, sau ceva asemănător).
- Dozajul a fost excesiv.

Asistență

RO

Înainte de a lua legătura cu Asistența:

- Verificați dacă anomalia poate fi rezolvată de dvs. (vezi pag. 35);
- Porniți din nou programul pentru a controla dacă inconvenientul a fost eliminat;
- În caz contrar, luați legătura cu asistența tehnică autorizată la numărul telefonic indicat pe certificatul de garanție.

! Nu apelați niciodată la tehnicieni neautorizați.

Comunicați:

- tipul de anomalie;
- modelul mașinii (Mod.);
- numărul de serie (S/N).

Aceste informații se află pe tăblița aplicată în partea posterioară a mașinii de spălat.

HU

Magyar

WITL 106

HU

Összefoglalás

Üzembehelyezés, 38-39

Kicsomagolás és vízszintbe állítás, 38

Víz és elektromos csatlakozás, 38-39

Első mosási ciklus, 39

Műszaki adatok, 39

Mosógép leírása, 40-41

Vezérlőpanel, 40

A forgódob kinyitása és bezárása, 41

Visszajelző lámpák, 41

Indítás és Programok, 42

Röviden: egy program elindítása, 42

Programtáblázat, 42

Program módosítások, 43

Hőmérséklet beállítása, 43

Centrifugálás beállítása, 43

Funkciók, 43

Mosószerek és mosandók, 44

Mosószeradagoló fiók, 44

Mosandó ruhák előkészítése, 44

Különleges bánásmódot igénylő darabok, 44

Fehérítő program, 44

Óvintézkedések és tanácsok, 45

Általános biztonság, 45

Hulladékelhelyezés, 45

Környezetvédelem, 45

Karbantartás és törődés, 46

A víz elzárása és az elektromos áram kikapcsolása, 46

A mosógép tisztítása, 46

A mosószertartó tisztítása, 46

Az ajtó és a forgódob gondozása, 46

A szivattyú tisztítása, 46

A vízbevezető cső ellenőrzése, 46

A mosószertartó tisztítása, 45

Rendellenességek és elhárításuk, 47

Szerviz, 48

Mielőtt a Szervizhez fordulna, 48

Üzembehelyezés

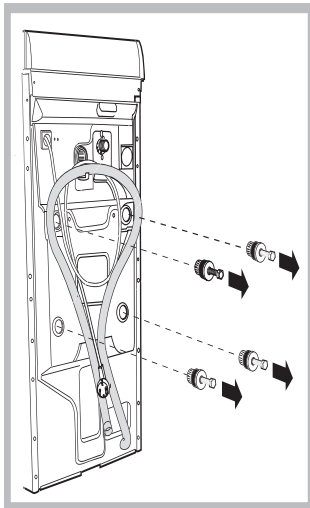
HU

! E kézikönyv megőrzése azért fontos, hogy bármikor elővehesse, és megnézhesse. Ha a mosógépet eladná, átadná vagy másnál helyezné el, gondoskodjon arról, hogy e használati utasítás a géppel együtt maradjon, hogy az új tulajdonos is megismerhesse a mosógép funkcióit és az ezekre vonatkozó figyelmeztetéseket.

! Figyelmesen olvassa el az utasításokat: fontos információkat tartalmaznak az üzembehelyezésről, a használatról és a biztonságról.

Kicsomagolás és vízszintbe állítás

Kicsomagolás



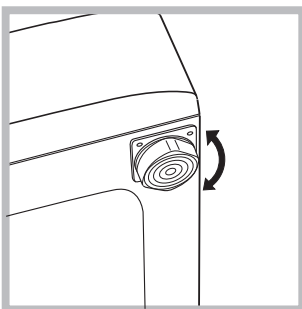
1. Csomagolja ki a mosógépet.
2. Ellenőrizze, hogy a mosógép nem sérült-e meg a szállítás során. Ha a gépen sérülést talál, ne csatlakoztassa, és forduljon a készülék eladóójához.
3. Távolítsa el a hátoldalon található, a szállításhoz felszerelt 4 védőcsavart, valamint a gumit a hozzá tartozó távtartóval (lásd ábra).

4. A furatokat zárja le a tartozékként kapott műanyag dugókkal.
5. Minden darabot őrizzen meg: ha a mosógépet szállítani kell, előtte ezeket vissza kell szerelni.

Figyelem: újbóli használat esetén a rövidebb csavarokat felülre kell szerelni.

! A csomagolóanyag nem gyermekjáték

Vízszintezés

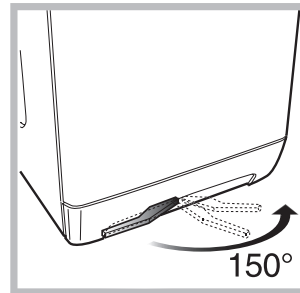


(lásd ábra). A dőlés a gép felső burkolatán mérve nem lehet több, mint 2°.

1. A mosógépet sík és kemény padlóra állítsa, úgy, hogy ne érjen falhoz, bútorhoz vagy máshoz.
2. Ha a padló nem tökéletesen vízszintes, az első lábak be-, illetve kicsavarásával kompenzálhatja azt

A pontos vízszintezés biztosítja a gép stabilitását, így az a működés során nem fog vibrálni, zajt okozni vagy elmozdulni. Szőnyegpadló vagy szőnyeg esetén a lábakat úgy állítsa be, hogy a mosógép alatt elegendő hely maradjon a szellőzésre.

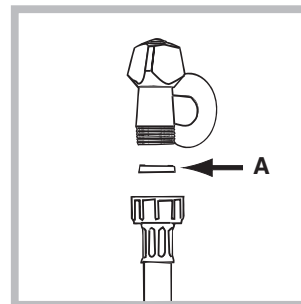
Felállítás, áthelyezések



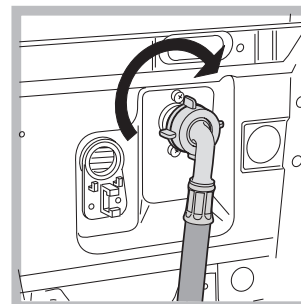
A mosógéped egy speciális, behúzható kerekkel ellátott kocsi van felszerelve az áthelyezés megkönnyítése érdekében. Ezen kocsi leengedéséhez és így a gép erőfeszítés nélküli elmozdításához alul a zárócsík alatt, bal oldalon elhelyezett kart kell meghúzni. Az áthelyezés befejeztével a kiindulási állapotba tegyék a gépet. Ezen a ponton a gép biztonságosan fel van állítva.

Víz és elektromos csatlakozás

Vízbevezető cső csatlakoztatása



1. Illessze az A tömítést a vízbevezető cső végére és csavarozza fel a 3/4"-os külső menettel rendelkező hidegvíz csapra (lásd ábra). A csatlakoztatás előtt eresszen ki a csapból vizet addig, amíg a víz teljesen átlátszóvá nem válik.



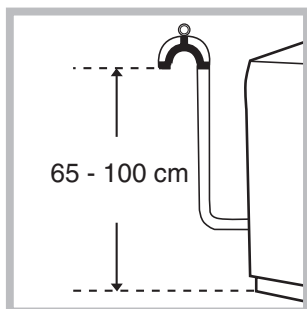
2. Csatlakoztassa a vízbevezető csövet a mosógéphez úgy, hogy azt a hátul jobboldalon fent lévő vízbemeneti csonkra csavarozza (lásd ábra).
3. Ügyeljen arra, hogy a csövön ne legyen törés vagy szűkület.

! A csapnál a víznyomásnak a Műszaki adatok táblázatban szereplő határértékek között kell lennie (lásd a szemben lévő oldalt).

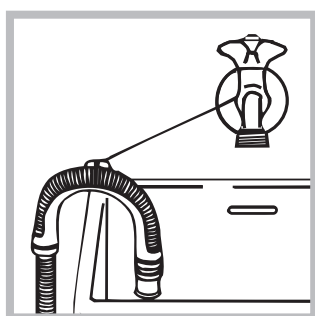
! Amennyiben a vízbevezető cső nem elég hosszú, forduljon szaküzlethez vagy megbízott szakemberhez.

! Soha ne alkalmazzon már használt csöveket.

A leeresztőcső csatlakoztatása



A leeresztőcsövet csatlakoztassa lefolyóhoz vagy a padlótól 65 és 100 cm közötti magasságban lévő fali lefolyószifonhoz anélkül, hogy megtörné,



vagy akassza a mosdó vagy a kád szélére úgy, hogy a tartozékok között lévő vezetőt a csaphoz erősíti (lásd ábra). A leeresztőcső szabad végének nem szabad vízbe merülnie.

! Toldások használata nem javasolt. Amennyiben feltétlenül szükséges, a toldás átmérője egyezzen meg az eredeti csőével, és semmiképpen se legyen 150 cm-nél hosszabb.

Elektromos bekötés

Mielőtt a csatlakozódugót az aljzatba dugná, bizonyosodjon meg arról, hogy:

- az aljzat földelése megfelel a törvény által előírtak;
- az aljzat képes elviselni a gép Műszaki adatait tartalmazó táblázatban megadott maximális teljesítményfelvételt (lásd szemben);
- a hálózat feszültsége a Műszaki adatokat tartalmazó táblázatban szereplő értékek közé esik (lásd szemben);
- Az aljzat legyen kompatibilis a gép csatlakozódugójával. Ellenkező esetben cserélje ki az aljzatot vagy a csatlakozódugót.

! A mosógép nem állítható fel nyílt téren, még akkor sem, ha a tér tetővel van fedve, mert nagyon veszélyes, ha a gép esőnek vagy zivataroknak van kitéve.

! A csatlakozódugónak könnyen elérhető helyen kell lennie akkor is, amikor a gép már a helyén áll.

! Ne használjon hosszabbítót vagy elosztót.

! Ne legyen a kábel megtörve vagy összenyomva.

! A hálózati kábelt csak megbízott szakember cserélheti.

Figyelem! A gyártó minden felelősséget elhárít, amennyiben a fenti előírásokat figyelmen kívül hagyják.

Első mosási ciklus

Üzembehelyezés után, mielőtt a mosógépet használni kezdené, végezzen egy 90°-os előmosás nélküli mosást mosóporral de mosandó ruha nélkül.

Műszaki adatok

Modell	WITL 106
Méret	szélesség 40 cm magasság 85 cm mélység 60 cm
Ruhatöltet:	1-től 5 kg-ig
Elektromos csatlakozás	Lásd a készüléken található, muszaki jellemzőket tartalmazó adattáblát!
Vízcsatlakozások	maximális nyomás 1 MPa (10 bar) minimális nyomás 0,05 MPa (0,5 bar) dob űrtartalma 42 liter
Centrifuga fordulatszám	1000 fordulat/perc-ig
EN 60456 szabvány Szerinti vezérlőprogramok	2-as program; hőmérséklet 60°C; 5 kg ruhatöltettel végezve.

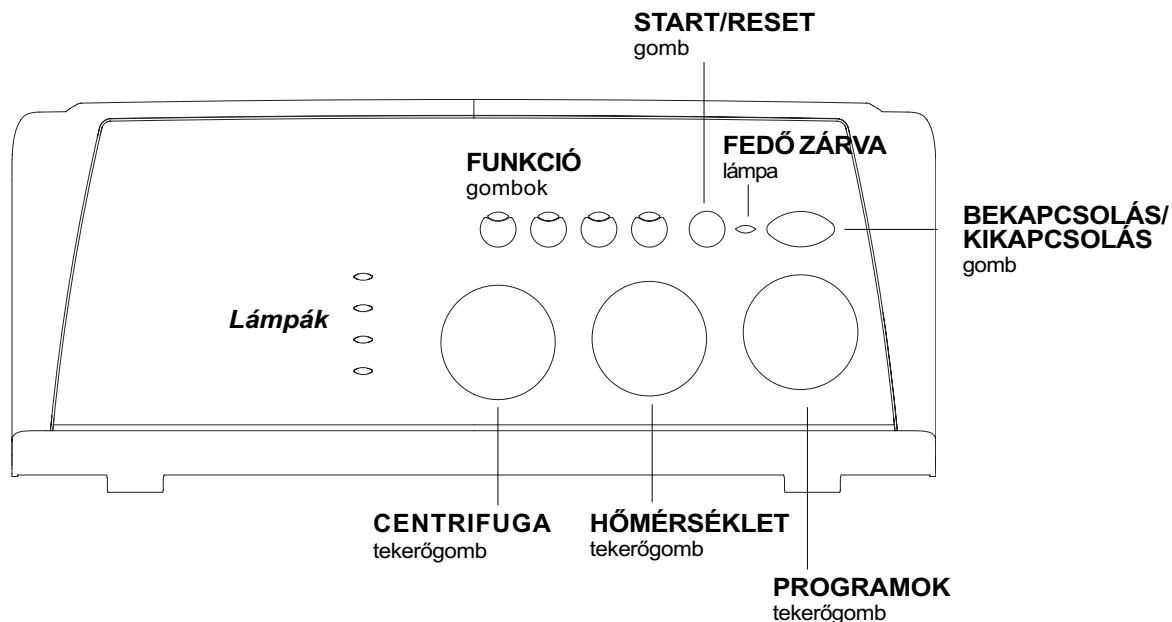


Ez a berendezés megfelel a következő Uniói Előírásoknak:
- 89/05/03-i 89/336/CEE előírás (Elektromágneses összeférhetőség) és annak módosításai
- 2006/95/CE (Alacsony feszültség)
- 2002/96/EU

A mosógép leírása

HU

Vezérlő panel



Mosószer rekesz a mosószer és adalékanyagok betöltésére (lásd 44. old.).

Lámpák a mosási program állapotának jelzésére. Ha a Késleltetés Időzítő funkció be lett állítva, a program indításáig hátra lévő időt jelzik (lásd 41. oldal).

FUNKCIÓ gombok az elérhető funkciók kiválasztására. A kiválasztott funkcióhoz tartozó gomb égve marad.

HŐMÉRSÉKLET tekerőgomb a mosási hőmérséklet vagy a hidegmosás kiválasztására (lásd 43. old.).

CENTRIFUGA billentyű a centrifugálás fordulatszámának beállítására illetve a centrifugálás kikapcsolására (lásd 43. oldal).

BEKAPCSOLVA/AJTÓ ZÁRVA lámpa:

A világító visszajelző lámpa azt jelzi, hogy a véletlen nyitás megakadályozására a mosógépajtó be van zárva; az esetleges károk elkerülése érdekében, mielőtt kinyitná, várja meg, amíg a lámpa villogni kezd.

! A BEKAPCSOLVA/AJTÓ ZÁRVA lámpa gyors villogása és egy másik lámpa egyidejű felvillanása hibát jelez (lásd 47. oldal)..

KIKAPCSOLÁS/BEKAPCSOLÁS gomb a mosógép ki- és bekapcsolására.

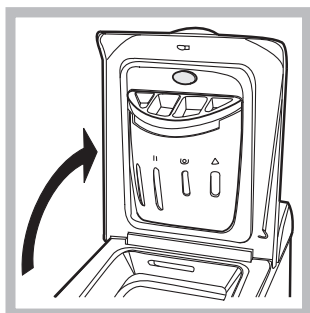
START/RESET gomb a programok elindítására vagy a helytelen beállítások törlésére.

BEKAPCSOLVA/FEDŐ ZÁRVA lámpa a mosógép bekapcsolt állapotát (villog) és a fedő nyitható állapotát jelzi (folyamatosan ég) (lásd 41. old.).

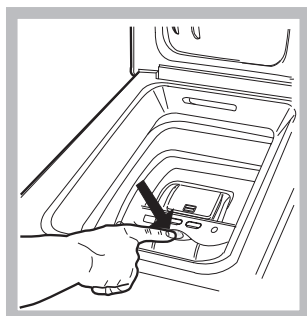
PROGRAMOK tekerőgomb a programok beállítására (lásd 42. old.).

A program futása alatt a tekerőgomb nem mozdul.

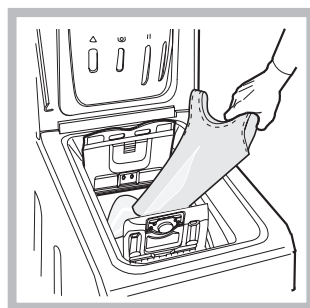
A forgódob kinyitása és bezárása



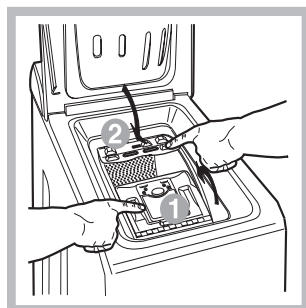
1. ábra



2. ábra



3. ábra



4. ábra

A) KINYITÁS (1. ábra). Felemelni a külső fedőlapot és teljesen kinyitni.

B) A dob kinyitása (Soft opening):

Egy ujjal nyomja meg a 2-es ábrán jelzett gombot és a dob finoman kinyílik.

C) RUHANEMŰ BEHELYEZÉSE. (3. ábra)

D) BEZÁRÁS. (4. ábra)

- először az elülső ajtót leeresztve majd a hátsó ráhajtva jól bezárni a forgódobot.
- ellenőrizni, hogy az elülső ajtó kampói tökéletesen illeszkednek-e a hátsó ajtóban lévő helyükre.
- a kattánás „klak” észlelése után mindkét ajtóra enyhe nyomást gyakorolni lefelé, melyeknek nem szabad kikattanni.
- végül a külső fedőlapot bezárni.

Visszajelző lámpák

A visszajelző lámpák fontos információkkal szolgálnak.

A következők olvashatók le róluk:

Beállított késleltetés:

Hogy a Késleltető Időzítő funkció be van-e kapcsolva (lásd 43. oldal): a program elindítása után a kiválasztott késleltetéshez tartozó visszajelző elkezd villogni:



Az idő múlásával a hozzá tartozó visszajelző villogásával mindig a hátralévő késleltetési időt jelzi ki:



A kiválasztott késleltetés elteltével a villogó visszajelző elalszik, és elkezdődik a beállított program végrehajtása.

Folyamatban lévő mosási fázis:

A mosás során a visszajelzők egymás után gyulladnak meg, ezzel jelezve a program előrehaladását:



Megjegyzés: a vízürítés (szivattyúzás) során a centrifugálási fázishoz tartozó visszajelző világít.

Funkció billentyűk

A FUNKCIÓ billentyűk visszajelző lámpaként is működnek.

A funkció bekapcsolásakor a hozzá tartozó billentyű világítani kezd.


Ha a kiválasztott funkció a beállított programmal nem fér össze, a billentyű villog, és a funkció nem lesz bekapcsolva.


Abban az esetben, ha egy másik, korábban kiválasztottal össze nem férő funkciót kapcsol be, csak az utolsóként választott marad bekapcsolva.

Indítás és Programok




HU

Röviden: egy program elindítása

1. Az  billentyű megnyomásával kapcsolja be a mosógépet. Néhány másodpercre az összes visszajelző felgyullad, majd elalszik, és a BEKAPCSOLVA/AJTÓZÁR visszajelző kezd villogni.
2. Rakja be a mosnivalót, töltsse be a mosószert és adalékanyagokat (lásd 44. oldal), majd zárja össze az dob szárnyait, és csukja le a fedelet!
3. A PROGRAMOK tárcsával állítsa be a kívánt mosóprogramot.

4. Állítsa be a mosási hőmérsékletet (lásd 43. oldal).
5. Állítsa be a centrifugálási fordulatszámot (lásd 43. oldal).
6. A START/RESET billentyű megnyomásával indítsa el a programot.
A törléshez tartsa nyomva a START/RESET billentyűt legalább 2 másodpercen keresztül.
7. A program végeztével a BEKAPCSOLVA/AJTÓZÁR visszajelző villog, azt jelezve, hogy az ajtót ki lehet nyitni. Vegye ki a mosott ruhát, és az ajtót hagyja kicsit nyitva, hogy a dob kiszáradhasson. Az  billentyűvel kapcsolja ki a mosógépet.

Programtáblázat

Az anyag és a piszok természete	Programok	Hőmérséklet	Mosószert		Lágyítószer	Folteltávolító/ Fehérítő opció	Ciklusidő (perc)	A mosási ciklus leírása
			előmosás	mosás				
Szokásos								
Pamut: Erősen szennyezett fehér ruhák (lepedő, abrosz, stb.)	1	90°C	•	•	•		167	Előmosás, mosás, öblítés, középső és végső centrifugálás
Pamut: Erősen szennyezett fehér ruhák (lepedő, abrosz, stb.)	2	90°C		•	•	Finom / Hagyományos	152	Mosás, öblítés, középső és végső centrifugálás
Pamut: Erősen szennyezett fehér és magasabb hőmérsékleten mosható színes ruhák	2	60°C		•	•	Finom / Hagyományos	150	Mosás, öblítés, középső és végső centrifugálás
Pamut: Erősen szennyezett finom fehér és színes ruhák	2	40°C		•	•	Finom / Hagyományos	140	Mosás, öblítés, középső és végső centrifugálás
Pamut: Enyhén szennyezett fehér és finom színes ruhák (ingek, blúzok, stb.)	3	40°C		•	•	Finom / Hagyományos	99	Mosás, öblítés, középső és végső centrifugálás
Szintetikus anyagok: Erősen szennyezett magasabb hőmérsékleten mosható színes ruhák (baba fehérnemű, stb.)	4	60°C		•	•	Finom	80	Mosás, öblítés, gyűrődésgátlás vagy finom centrifugálás
Szintetikus anyagok: Erősen szennyezett magasabb hőmérsékleten mosható színes ruhák (baba fehérnemű, stb.)	4	40°C		•	•	Finom	71	Mosás, öblítés, gyűrődésgátlás vagy finom centrifugálás
Szintetikus anyagok: Tartós színes anyagok (mindenfajta enyhén szennyezett ruházat)	5	40°C		•	•	Finom	71	Mosás, öblítés, gyűrődésgátlás vagy finom centrifugálás
Gyapjú	6	40°C		•	•		50	Mosás, öblítés, és finom centrifugálás
Nagyon finom szövetek (függönyök, selyem, viszkóz, stb.)	7	30°C		•	•		52	Mosás, öblítés, gyűrődésgátlás vagy őrítés
Idő Önnel								
Pamut: Erősen szennyezett fehér és magasabb hőmérsékleten mosható színes ruhák	8	60°C		•	•		60	Mosás, öblítés, középső és végső centrifugálás
Pamut: Enyhén szennyezett fehér és finom színes ruhák (ingek, blúzok, stb.)	9	40°C		•	•		50	Mosás, öblítés, középső és végső centrifugálás
Szintetikus anyagok: Finom színes ruhák (bármilyen enyhén szennyezett fehérnemű)	10	40°C		•	•		40	Mosás, öblítés és finom centrifugálás
Szintetikus anyagok: Finom színes ruhák (bármilyen enyhén szennyezett fehérnemű)	11	30°C		•	•		30	Mosás, öblítés és finom centrifugálás
Sport								
Sportcipők (MAX. 2 pár.)	12	30°C		•	•		50	Hidegmosás (mosópor nélkül), mosás, öblítés és finom centrifugálás
Sportruhák (tréningruhák, rövidnadrágok, stb.)	13	30°C		•	•		63	Mosás, öblítés, középső és végső centrifugálás
RÉSZLEGES PROGRAMOK								
Öblítés					•	Finom / Hagyományos		Öblítés és centrifugálás
Centrifugálás								Űrítés és centrifugálás
Űrítés								Űrítés

Megjegyzések

- A 8-9 program esetén nem ajánlatos 3,5 kg ruhánál többet betenni.
- A 13 program esetén nem ajánlatos 2 kg ruhánál többet betenni.
- A gyűrődésgátlás leírásához: lásd Vasalj kevesebbet, szemben lévő oldal. A táblázatban szereplő értékek tájékoztató jellegűek.

Speciális program

Napközbeni 30' (11-es program szintetikus anyagokhoz) programot kevésbé szennyezett ruhák gyors mosására fejlesztettük ki: mindössze 30 percig tart, így energiát és időt takarít meg. A 11-es programot 30°C hőmérsékletre beállítva különböző jellegű anyagokat együttesen lehet mosni (kivéve gyapjú és selyem), maximum 3 kg-os töltéssel. *Folyékony mosószert használatát javasoljuk.*

Hőmérséklet beállítása

A mosási hőmérsékletet a HŐMÉRSÉKLET tárcsa elforgatásával lehet beállítani (lásd a Programtáblázatot a 42. oldalon). A hőmérsékletet a hideg vízzel történő mosásig lehet csökkenteni (❄).

Centrifugálás beállítása

A kiválasztott programhoz a centrifugálás fordulatszámát a CENTRIFUGA tárcsa elforgatásával lehet beállítani. A különféle programokhoz beállítható maximális fordulatszámok a következők:

Program	Maximális fordulatszám
Pamut	1000 fordulat percenként
Szintetikus anyagok	800 fordulat percenként
Gyapjú	600 fordulat percenként
Selyem	nem

A centrifugálás fordulatszáma csökkenthető, vagy az jelre állítással teljesen kikapcsolható. A gép automatikusan megakadályozza, hogy az egyes programokhoz maximálisan beállítható fordulatszámnál magasabban centrifugáljon.

! A minden centrifugálás elején jelentkező túlzott vibrálás elkerülése érdekében a készülék egyenletesen elosztja a bepakolt ruhákat a dob folyamatos, a mosási sebességnél valamivel gyorsabb forgatásával. Ha azonban az ismételt próbálkozások ellenére sem sikerül a bepakolt ruhát tökéletesen elosztani, a készülék a beállítottnál kisebb fordulatszámon fog centrifugálni. Abban az esetben, ha túlságosan nagy a kiegyensúlyozatlanság, a készülék végzi el az elosztást a centrifuga helyett. A kiegyensúlyozásra tett esetleges próbálkozások maximum 10 perccel nyújthatják meg a ciklus teljes időtartamát.

Funkciók

A mosógép különféle mosófunkciói lehetővé teszik a kívánt tisztítás és fehérség elérését. A funkciók bekapcsolásához:

1. nyomja meg a kívánt funkcióhoz tartozó billentyűt, az alábbi táblázat szerint;
2. a billentyű világítása azt jelzi, hogy a hozzá tartozó funkció be van kapcsolva.

Megjegyzés: A gyors villogás azt jelenti, hogy a beállított programhoz a billentyűhöz tartozó funkció nem kapcsolható be.

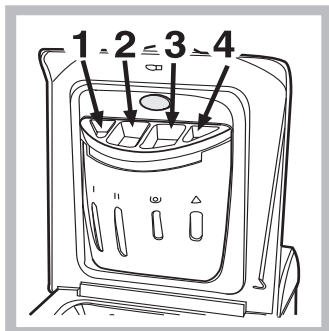
Funkciók	Hatás	Megjegyzések a használatához	A következő programokkal működik:
Késleltető időzítő 	Késlelteti a gép indítását max. 9 órát.	A késleltetés beállításához annyiszor nyomja meg a billentyűt, hogy a kívánt értékhez tartozó visszajelző világítson. A billentyű ötödik megnyomására a funkció kikapcsol. Megjegyzendő: Ha a Start/Reset billentyűt megnyomta, a késleltetés értékét csak csökkenteni lehet.	Mindegyik
Fehérités 	A fehérités ciklus a legmakacsabb foltok eltávolítására alkalmas.	Ne felejtse al a fehéritőszert a 4-es berakható tartályba tölteni (lásd 44. oldal). Nem fér össze a VASALJ KEVESEBBET opcióval.	2, 3, 4, 5 Öblítések.
Vasalj kevesebbet 	Csökkenti az anyagok gyűrését, ezzel könnyítve a vasalást.	Ezen opciót beállítva a 3- 4- 5-6-os, 7-es, 8-as, 9- 10-es programok és a kíméletes öblítés félbeszakad úgy, hogy a mosott ruha az öblítővízben marad (Gyűrődésgátlás), és az ikon villog : - a ciklus befejezéséhez nyomja meg a START/RESET billentyűt; - ha csak le akarja szivattyúzni a vizet, a tárcsát állítsa a szivattyúzás szimbólumára , és nyomja meg a START/RESET billentyűt. Nem fér össze a FEHÉRÍTÉS opcióval.	3, 4, 5, 6, 7, 8, 9, 10 Öblítések.
Extra Öblítés 	Növeli az öblítés hatékonyságát.	A mosógép teljes töltése esetén vagy nagymennyiségű mosószeraadalás esetén javasolt.	1, 2, 3, 4, 5, 8, 9, 10, 12, 13 Öblítések.

Mosószerek és mosandók

HU

Mosószera adagoló fiók

A mosás eredményessége függ a mosószert helyes adagolásától is: ha túl sokat adagol belőle, a mosás nem lesz hatékonyabb, de hozzájárul ahhoz, hogy lerakódás képződjön a mosógépben, valamint a környezetet is jobban szennyezi.



Húzza ki a mosószera adagoló fiókot, és a következőképpen tegye bele a mosószert vagy az adalékot.

1. es tartály: Mosószert előmosáshoz (por)

2. rekesz: Mosószert (por vagy folyékony)

A folyékony mosószert helyezze közvetlen a rekeszbe az erre a célra kialakított mérőedénybe.

3. rekesz: Adalékanyagok (lágýtószer, stb.)

Amikor a 3. rekeszbe betölti a lágýtószer, ügyeljen rá, hogy ne lépje túl a "max" jelzést. A lágýtószer automatikusan belekerül a mosógépbe az utolsó öblítéskor. A program végén a 3. rekeszben bizonyos mennyiségű víz marad. Ez a túlságosan suru lágýtószer feloldására, vagy a koncentrátumok hígítására szolgál. Ha a 3. rekeszben több víz marad, mint általában, az az ürítónyílás eltömődését jelenti. A kitisztításához lásd 46. oldal.



4. rekesz: Fehérítőszer

! Ne használjon kézimosószert, mert túlzottan sok hab képződik.

Fehérítőszer program

A **hagyományos** fehérítőszer programot az erős fehér szövetekhez, míg a **kímélő** fehérítést a színes, szintetikus és gyapjú ruhákhoz használja.

A fehérítőszer adagolásakor ügyeljen arra, hogy ne lépje túl a 4-es rekesz "max" jelzését (lásd ábra). A fehérítőszer adagolásakor ügyeljen arra, hogy ne lépje túl a 4-es rekesz "max" jelzését (lásd ábra).

Ha csak fehéríteni szeretne, öntse a fehérítőszer a 4. rekeszbe, állítsa be az Öblítés programot  és nyomja meg a Folteltávolítás  funkciógombot.

Mosandó ruhák előkészítése

- Osztályozza a mosandókat a következők szerint:
 - kelme típusa / címkén lévő szimbólum.
 - színek: válogassa külön a színes ruhákat a fehérektől.
- Ürítse ki a zsebeket, és vizsgálja meg a gombokat.
- Ne lépje túl a mosandók száraz súlyára vonatkozóan megadott értékeket:
 - Tartós anyagok: max. 5 kg
 - Szintetikus anyagok: max. 2,5 kg
 - Kényes anyagok: max. 2 kg
 - Gyapjú: max. 1 kg

Milyen nehezek a mosandó ruhák?

- 1 lepedő 400-500 g.
- 1 párnahuzat 150-200 g.
- 1 asztalterítő 400-500 g.
- 1 fürdőköpeny 900-1200 g.
- 1 törülköző 150-250 g.

Különleges bánásmódot igénylő darabok

Függönyök: hajtogatva tegye párnahuzatba (vászonzsákba) vagy hálós zacskóba. Külön mossa őket, és ne lépje túl a fél töltésnyi mennyiséget. használja a 7-es programot, amelyik automatikusan kikapcsolja a centrifugálást.

Toll/pehely ágyneműk és tollkabátok: ha a benne lévő liba vagy kacsatoll mosógépben mosható. Fordítsa ki a darabokat, és egyszerre legfeljebb 2-3 kg-nyit mosson úgy, hogy egyszer vagy kétszer megismétli az öblítést, és kíméletes centrifugálást használ.

Teniszcipők: tisztítsa meg a sártól. Együtt moshatók a farmer és más tartós anyagokkal, de nem a fehér ruhadarabokkal.

Gyapjú: a legjobb eredmény elérése érdekében használjon speciális mosószert (gyapjúmosószert), és ne lépje túl az 1 kg ruhatöltetet.

! A mosógépet a nemzetközi biztonsági szabványoknak megfelelően tervezték és gyártották. Ezeket a figyelmeztetéseket biztonsági okokból írjuk le, és figyelmesen el kell olvasni őket.

Általános biztonság

- A mosógépet csak felnőtt használhatja, és csak az e használati utasításban megadott utasítások szerint.
- Ne érjen a géphez mezítláb, illetve vizes vagy nedves kézzel vagy lábbal.
- A csatlakozódugót az aljzatból ne a kábelt, hanem a csatlakozót fogva húzza ki.
- Ne nyissa ki a mosószeradagoló fiókot, ha a mosógép működik.
- Ne nyúljon a leeresztett vízbe, mert forró lehet.
- Semmiképpen ne feszegesse az ajtót: megsérülhet a véletlen nyitást akadályozó biztonsági retesz.
- Hiba esetén semmiképpen se nyúljon a gép belső részeihez, és ne próbálja megjavítani.
- Mindig ügyeljen arra, hogy gyerekek ne mehessenek a működő gép közelébe.
- A mosás során az ajtó meleg lehet.
- Amennyiben a gépet át kell helyezni, két vagy három személy végezze, maximális figyelemmel. Soha sem egyedül, mert a gép nagyon súlyos.
- A mosandó berakása előtt ellenőrizze, hogy a forgódob üres legyen.

Hulladékelhelyezés

• A régi elektronikus termékek megsemmisítése

Az elektromos készülékek megsemmisítéséről szóló európai direktíva 2002/96/EC előírja, hogy a régi háztartási gépeket nem szabad a normál nem szelektív hulladékgyűjtési folyamat során összegyűjteni. A régi gépeket szelektíven kell összegyűjteni, hogy optimalizálni lehessen a bennük lévő anyagok újrahasznosítását és csökkenteni lehessen az emberi egészségre és környezetre gyakorolt hatásukat. Az áthúzott "szemeteskuka" jele emlékezteti Önt arra, hogy kötelessége ezeket a termékeket szelektíven összegyűjteni.

A fogyasztóknak a helyi hatóságot vagy kereskedőt kell felkeresniük a régi háztartási gépek helyes elhelyezését illetően.

- Öreg mosógép kidobása:
mielőtt a hulladékok közé helyezné, tegye használhatatlanná úgy, hogy elvágja a hálózati kábelt, és letépi az ajtót.

Környezetvédelem

Környezetvédelmet szolgáló technológia

Ha az ajtó üvegén keresztül kevés víz látszik, az azért van, mert az új technológiának köszönhetően az Aristonnak a felénél kevesebb víz is elég ahhoz, hogy maximális tisztítóhatást érjen el: egy olyan cél, amelyet a környezet megóvása érdekében tüztünk ki.

Takarítson meg mosószert, vizet, energiát és időt

- Annak érdekében, hogy ne pazaroljunk az erőforrásokkal, a mosógépet teljes ruhatöltettel kell használni. Egy teljes ruhatöltettel való mosás két féltöltet helyett, akár 50% energia megtakarítást is lehetővé tehet.
- Az előmosás csak nagyon szennyezett ruhák esetén szükséges. Ha nem használja, azzal mosószert, időt és 5-15% energiát takarít meg.
- Ha a foltokat a mosás előtt folttisztítóval kezeli, és beáztatja, kevesebb szükség lesz a magas hőmérsékletű mosásra. A 60°C-on történő mosás a 90°C helyett, vagy 40°C-on 60°C helyett akár 50% energiamegtakarításhoz is vezethet.
- Ha a mosószert a víz keménysége, a szennyezettség mértéke és a ruha mennyisége alapján helyesen adagolja, elkerüli a pazarlást és nem terheli feleslegesen a környezetet: még, ha biológiailag lebomló fajtájúak is, a mosószerek olyan összetevőket tartalmaznak, amelyek megváltoztatják a természet egyensúlyát. Ezen kívül, kerülje az öblítőszeres használatát, amennyire csak lehet.
- Ha a késő délután és a kora hajnal közötti időszakban mos, akkor hozzájárul ahhoz, hogy csökkenjen az áramszolgáltató vállalatok terhelését.
A Késleltető időzítő (lásd 7. oldal) nagyon hasznos a mosás időzítése szempontjából.
- Ha a mosott ruhákat utána szárítógépben szárítja, magas fordulatszámú centrifugálást válasszon. Ha a mosott ruhában kevés a víz, időt és energiát takarít meg a szárítóprogramnál.

Karbantartás és törődés

HU

A víz elzárása és az elektromos áram kikapcsolása

- Minden mosás után zárja el a vízcsapot. Így kíméli a mosógép vízrendszerét, és megszünteti a vízszivárgás kockázatát.
- Húzza ki a hálózati csatlakozódugót az aljzatból, amikor a mosógépet tisztítja vagy karbantartást végez.

A mosógép tisztítása

A külső részeket és a gumi részeket langyos szappanos vizes ronggyal tisztíthatja. Ne használjon oldószert vagy súrolószert.

A mosószeradagoló fiók tisztítása

Vegye ki a fiókot úgy, hogy felemeli és kifelé húzza (lásd ábra).

Folyóvíz alatt mossa ki. Ezt a tisztítást gyakran el kell végezni.

Az ajtó és a forgódob gondozása

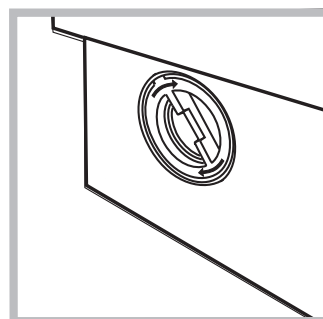
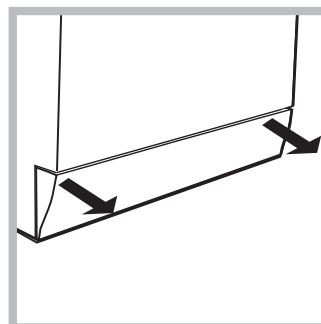
- Az ajtót hagyja mindig részre nyitva, nehogy rossz szagok keletkezzenek.

A szivattyú tisztítása

A mosógép öntisztító szivattyúval van felszerelve, melynek nincs szüksége tisztítási és karbantartási műveletekre. Az azonban megtörténhet, hogy kis tárgyak kerülnek (aprópénz, gomb) a szivattyút védő előkamrába, ami a szivattyú alsó részén található.

! Győződjön meg róla, hogy a mosóprogram véget ért, és húzza ki a hálózati csatlakozót.

Az esetlegesen a dob mellé esett tárgyak kiemeléséhez:



1. vegye le a mosógép elülső oldalán alul elhelyezkedő részt kézzel meghúzva a szélén (lásd ábra);
2. az óra járásával ellentétes irányban forgatva csavarja le a fedelet (lásd ábra): természetes, hogy egy kevés víz kifolyik;
3. gondosan tisztítsa ki a belsejét;
4. csavarja vissza a fedelet;
5. szerelje vissza a panelt úgy, hogy mielőtt azt a gép felé nyomná,

meggyőződik arról, hogy a horgok a hozzájuk tartozó furatokba illeszkednek.

A vízbevezető cső ellenőrzése

Évente legalább egyszer ellenőrizze a gumicsövet. Ki kell cserélni, ha repedezett vagy hasadozott: a mosás során a nagy nyomás hirtelen szakadást okozhat.

! Soha ne alkalmazzon már használt csöveket.

A mosószertartó tisztítása

Kivétel:

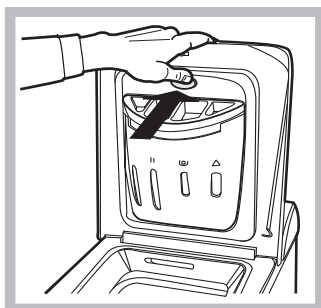
Enyhe nyomást gyakorolni a mosószertartó elülső részén levő nagy nyomógombra és felfelé kihúzni (1. ábra).

Tisztítás:

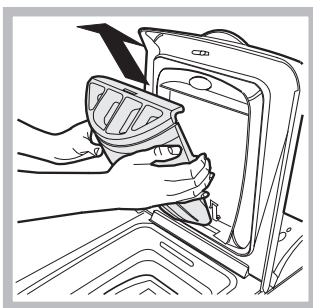
Ezután kitisztítani vízcsap alatt a tartót (3. ábra) egy régi fogkefe segítségével és az 1-es és 2-es rekeszek felső részébe illesztett két szivornyát kihúzva (4. ábra) megvizsgálni, hogy azok ne legyenek eltömődve majd leöblíteni.

Visszahelyezés:

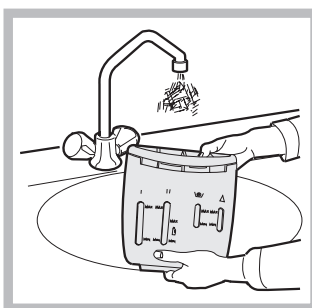
Ne felejtse el visszailleszteni a két szivornyát a megfelelő helyére és végül a tokjába beakasztva visszatenni a tartót.



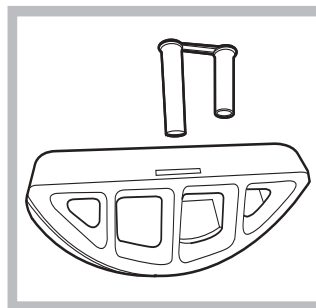
4. ábra



4. ábra



4. ábra



4. ábra

Megtörténhet, hogy a mosógép nem működik. Mielőtt felhívna a Szervizt (lásd 48. oldal) ellenőrizze, hogy nem olyan problémáról van szó, amely a következő lista segítségével egyszerűen megoldható.

Rendellenességek:

Lehetséges okok / Megoldás:

A mosógép nem kapcsol be.

- A hálózati csatlakozódugó nincs bedugva az aljzatba, vagy nem eléggé ahhoz, hogy jól érintkezzen.
- Nincs áram a lakásban.

A mosási ciklus nem indul el.

- Az ajtó nincs jól becsukva (a Fedő Blokkolva lámpa villog).
- Nem nyomta meg az (I) billentyűt.
- Nem nyomta meg a START/RESET billentyűt.
- A vízcsap nincs nyitva.
- Az indítás késletetése van beállítva (Késletelő időzítő, lásd 43. oldal).

A mosógép nem vesz fel vizet.

- A vízbevezető cső nincs csatlakoztatva a csaphoz.
- A cső meg van törve.
- A vízcsap nincs nyitva.
- A lakásban nincs víz.
- Nincs elegendő nyomás.
- Nem nyomta meg a START/RESET billentyűt.

A mosógép folytonosan szívja és leereszti a vizet.

- A leeresztőcső nem a padlószinttől 65 és 100 cm közötti magasságban van felszerelve (lásd 39. oldal).
- A leeresztőcső vége vízbe merül (lásd 39. oldal).
- A fali szifonnak nincs szellőzése.

Ha ezen vizsgálatok után a probléma nem oldódik meg, zárja el a vízcsapot, kapcsolja ki a mosógépet és hívja ki a szervizszolgálatot. Ha a lakás egy épület legfelsőbb emeleteinek egyikén található, lehetséges, hogy a csatorna-szellőző eltömődésének jelensége (szivornyahatás) lépett fel, ezért a mosógép folytonosan szívja és leereszti a vizet. Ezen kellemetlenség elkerülésére a kereskedelmi forgalomban rendelkezésre állnak csatorna-szellőző szelepek.

A mosógép nem ereszti le a vizet, vagy nem centrifugál.

- A program nem ereszti le a vizet: némelyik programnál manuálisan kell elindítani (lásd 42. oldal).
- Be van kapcsolva a Vasalj kevesebbet opció: a program befejezéséhez nyomja meg a START/RESET billentyűt (lásd 43. oldal).
- A leeresztőcső meg van törve (lásd 39. oldal).
- A lefolyó el van dugulva.

A mosógép nagyon rázkódik a centrifugálás alatt.

- Az üzembehelyezéskor nem távolították el a forgódob rögzítését (lásd 38. oldal).
- A mosógép nem áll vízszintben (lásd 38. oldal).
- A mosógép a bútor és a fal köté van szorítva (lásd 38. oldal).

A mosógépből elfolyik a víz.

- A vízbevezető cső nincs jól felcsavarva (lásd 38. oldal).
- A mosószeradagoló fiók eltömődött (a tisztítást lásd a 46. oldalon).
- A leeresztőcső nincs jól rögzítve (lásd 39. oldal).

A BEKAPCSOLVA/AJTÓZÁR visszajelző gyorsan villog legalább egy másik visszajelzővel együtt.

- Kapcsolja ki a készüléket és húzza ki a dugót a konnektorból, várjon körülbelül 1 percet, majd indítsa újra. Ha a hiba továbbra is fennáll, forduljon a szervizhez.

Sok hab képződik.

- A mosószer nem mosógépekhez való (kell, hogy szerepeljen rajta, hogy „gépi”, „kézi vagy gépi mosáshoz”, vagy hasonló).
- Túl sok mosószert használt.

Mielőtt a Szervizhez fordulna:

- Győződjön meg arról, hogy a hibát nem tudja maga is elhárítani (*lásd 47. oldal*);
 - Újból indítsa el a programot, hogy lássa, elhárította-e a hibát;
 - Ellenkező esetben forduljon a megbízott Szakszervizhez: a telefonszámot a garanciajegyen találja.
- ! Soha ne forduljon nem megbízott szerelőhöz.

Közölje:

- a meghibásodás jellegét;
- a mosógép modelljét (Mod.);
- a gyártási számot (Sorsz.).

Ezen információk a mosógép hátsó részére felerősített táblán találhatóak.

CZ

Český

WITL 106

Obsah

Instalace, 50-51

Rozbalení a vyrovnaní do vodorovné polohy, 50
Připojení k elektrické síti a k rozvodu vody, 50-51
První prací cyklus, 51
Technické údaje, 51

Popis pračky, 52-53

Ovládací panel, 52
Jak se otvírá a zavírá prací buben, 53
Kontrolky, 53

Uvedení do chodu a programy, 54

Ve zkratce: uvedení pracího programu do chodu, 54
Tabulka programů, 54

Nastavení činnosti dle potřeb uživatele, 55

Nastavení teploty, 55
Nastavení rychlosti odstředování, 55
Funkce, 55

Prací prostředky a prádlo, 56

Dávkovač pracích prostředků, 56
Cyklus bělení, 56
Příprava prádla, 56
Oděvy vyžadující zvláštní péči, 56
Kašmír Platinum, 56

Opatření a rady, 57

Základní bezpečnostní pokyny, 57
Likvidace, 57
Jak ušetřit a brát ohled na životní prostředí, 57

Údržba a péče, 58

Uzavření přívodu vody a vypnutí elektrického napájení, 58
Čištění pračky, 58
Čištění dávkovače pracích prostředků, 58
Péče o dvířka a buben, 58
Čištění čerpadla, 58
Kontrola přítokové hadice, 58
Jak se čistí dávkovač pracích prostředků, 58

Poruchy a způsob jejich odstranění, 59

Servisní služba, 60

Před přivoláním servisní služby, 60

Instalace

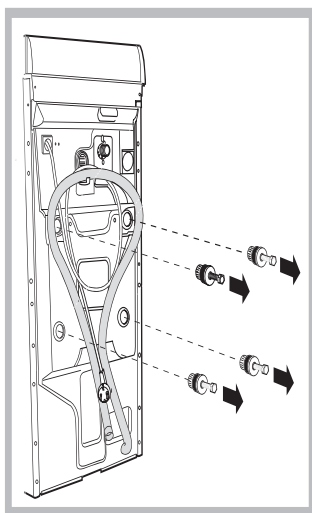
CZ

! Je velmi důležité uschovat tento návod za účelem jeho další konzultace. V případě prodeje, darování anebo přestěhování pračky se ujistěte, že zůstane uložen v blízkosti pračky, aby mohl posloužit novému majiteli při seznámení se s činností a s příslušnými upozorněními.

! Pozorně si přečtěte uvedené pokyny: obsahují důležité informace týkající se instalace, použití a bezpečnosti při práci.

Rozbalení a vyrovnaní do vodorovné polohy

Rozbalení



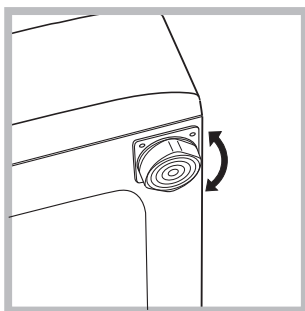
1. Rozbalte pračku.
2. Zkontrolujte, zda během přepravy nedošlo k jejímu poškození. V případě, že je poškozena, nezapojte ji a obraťte se na prodejce.
3. Odstraňte čtyři šrouby s gumovou podložkou a s příslušnou rozpěrkou, nacházející se v zadní části (viz obrázek), sloužící na ochranu během přepravy.

4. Uzavřete otvory po šroubech plastovými krytkami.
5. Uschovejte všechny díly: v případě opětovné přepravy pračky je bude třeba namontovat zpátky.

Upozornění: v případě opětovného použití musí být kratší šrouby použity na montáž v horní poloze.

! Obaly nejsou hračky pro děti

Vyrovnaní do vodorovné polohy



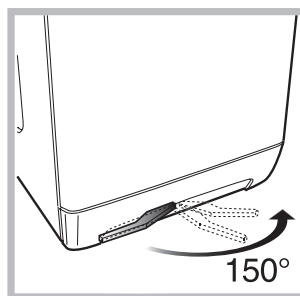
šroubováním předních nožek (viz obrázek). Úhel sklonu, naměřen na pracovní ploše, nesmí přesáhnout 2°.

1. Pračku je třeba umístit na rovnou a pevnou podlahu, bez toho, aby byla opřena o stěnu, nábytek anebo něco jiného.

2. V případě, když podlaha není dokonale vodorovná, mohou být případné rozdíly vykompenzovány

Dokonalé vyrovnaní do vodorovné polohy zabezpečí stabilitu zařízení a zamezí vzniku vibrací a hluku během činnosti. V případě instalace na podlahovou krytinu anebo na koberec, nastavte nožičky tak, aby pod pračkou zůstal dostatečný volný prostor pro ventilaci.

Umístění, přemísťování

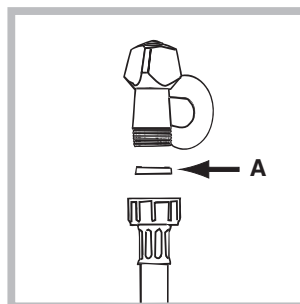


Je-li pračka vybavena speciálním podvozkiem se zasouvacími kolečky, lze ji lehce přemístit. Tento podvozek umožňující její přemístění bez vynaložení větší námahy se vysune zatažením za páku umístěnou vlevo dole.

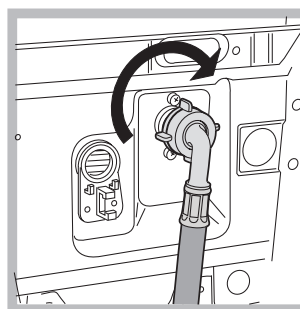
Po přemístění pračky vraťte páku do původní polohy. Stroj je pak pevně usazen na zvoleném místě. (Viz obrázek; pouze u některých modelů)

Připojení k elektrické síti a k rozvodu vody

Připojení přítokové hadice



1. Vložte těsnění A do koncové části přítokové hadice a připevněte ji k uzávěru studené vody se závitem 3/4" (viz obrázek). Před připojením hadice nechte vodu odtéci, dokud nebude průzračná.



2. Připojte přítokovou hadici k pračce prostřednictvím příslušného vstupního hrdla, umístěného vpravo nahoře (viz obrázek).

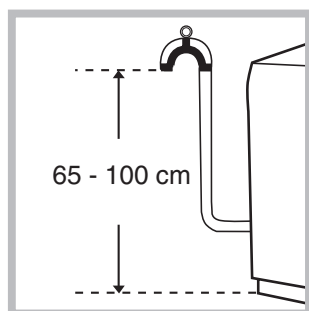
3. Dbejte na to, aby hadice nebyla příliš ohnuta anebo stlačena.

! Tlak v rozvodu vody se musí pohybovat v rozmezí hodnot uvedených v tabulce s technickými údaji (viz vedlejší strana).

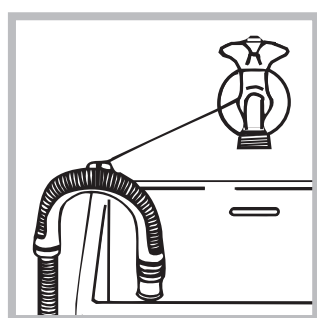
! V případě, že délka přítokové hadice nebude dostatečná, obraťte se na specializovanou prodejnu anebo na autorizovaný technický personál.

! Nikdy nepoužívejte již použité hadice.

Připojení odtokové hadice



Připojte vypouštěcí hadici, k odpadovému potrubí anebo k odpadu ve stěně, nacházejícímu se od 65 do 100 cm nad zemí; zamezte jejímu ohybu;



anebo ji zachyťte na okraj umývadla či vany, a připevněte ji ke kohoutku prostřednictvím držáku z příslušenství (viz obrázek). Volný konec vypouštěcí hadice nesmí zůstat ponořen do vody.

! Použití prodlužovacích hadic se nedoporučuje; je-li však nezbytné, prodlužování hadice musí mít stejný průměr jako originální hadice a její délka nesmí přesáhnout 150 cm.

Připojení k elektrické síti

Před zasunutím zástrčky do zásuvky se ujistěte, že:

- zásuvka je uzemněna a že vyhovuje normám;
- zásuvka je schopna snést maximální zátěž odpovídající jmenovitému příkonu zařízení, uvedenému v tabulce technickými údaji (viz vedle);
- hodnota napájecího napětí odpovídá údajům uvedeným v tabulce s technickými údaji (viz vedle);
- zásuvka je kompatibilní se zástrčkou pračky. V opačném případě je třeba vyměnit zástrčku.

! Pračka nesmí být umístěna venku – pod širým nebem, a to ani v případě, kdyby se jednalo o místo chráněné před nepřízní počasí, protože je velmi nebezpečné vystavit ji působení deště a bouří.

! Po definitivním umístění pračky musí zásuvka zůstat lehce přístupná.

! Nepoužívejte prodlužování kabely a rozvodky.

! Kabel nesmí být ohnut anebo stlačen.



! Výměna kabelu musí být svěřena výhradně autorizovanému technickému personálu.

Upozornění! Výrobce neponese žádnou odpovědnost za následky nerespektování uvedených předpisů.

První prací cyklus

Po nastavení pračky, před jejím použitím na praní prádla, je třeba provést jeden zkušební cyklus, s pracím prostředkem a bez náplně prádla, při teplotě 90°C, bez předírání.

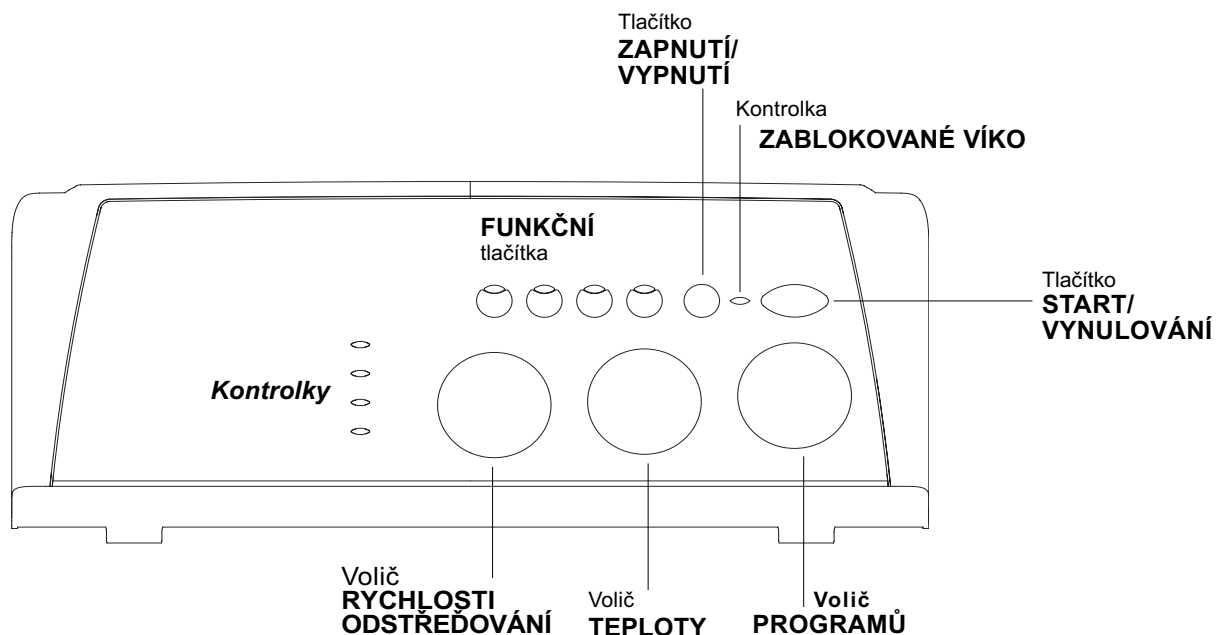
Technické údaje

Model	WITL 106
Rozměry	šířka 40 cm výška 85 cm hloubka 60 cm
Kapacita	od 1 do 5 kg
Napájení	Viz štítek s technickými údaji, aplikovaný na zařízení.
Připojení k rozvodu vody	maximální tlak 1 MPa (10 bar) minimální tlak 0.05 MPa (0.5 bar) kapacita bubny 42 litrů
Rychlost odstředování	až do 1000 otáček za minutu
Kontrolní program podle normy EN 60456	program 2; teplota 60°C; náplň 5 kg prádla.
 	Toto zařízení odpovídá následujícím normám Evropské unie: - 89/336/EHS z 03/05/89 (Elektromagnetická kompatibilita) v platném znění - 2006/95/CE (Nízké napětí) - 2002/96/EU
Hlučnost (dB(A) re 1 pW)	Praní: 66 Odstředování: 77

Popis pračky

CZ

Ovládací panel



Dávkač pracích prostředků slouží k dávkování pracích a přídatných prostředků (viz str. 56).

Kontrolky slouží ke kontrole průběhu pracího programu. V případě, že byla nastavena funkce odložený start, budou informovat o čase zbývajícím do startu pracího programu (viz str. 53).

FUNKČNÍ tlačítka slouží k volbě jednotlivých nabízených funkcí. Po uskutečnění volby jednotlivé funkce zůstane příslušné tlačítko podsvětleno.

Volič **RYCHLOSTI ODSTŘEDOVÁNÍ**: slouží k nastavení rychlosti odstřeďování anebo k jeho vyloučení (viz str. 55).

Volič **TEPLOTY** slouží k nastavení teploty praní anebo praní ve studené vodě (viz str. 55).

Tlačítko **ZAPNUTÍ/VYPNUTÍ** slouží k zapnutí a vypnutí pračky.

Tlačítko **START/VYNULOVÁNÍ** slouží k zahájení pracích programů nebo k vynulování chybného nastavení.

Kontrolka **ZAPNUTO/ZABLOKOVANÉ VÍKO** informující o tom, zda je pračka zapnuta (blikající kontrolka) a zda lze otevřít víko (rozsvícená kontrolka) (viz str. 52).

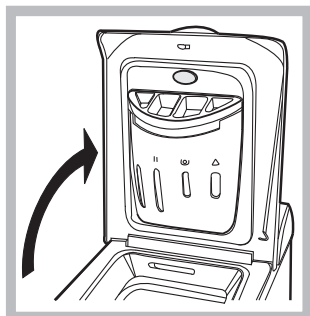
Volič **PROGRAMŮ** slouží k nastavení programů (viz str. 54). Během pracího programu zůstane ve stejné poloze.

Kontrolka ZAPNUTO/ZABLOKOVANÉ VÍKO:

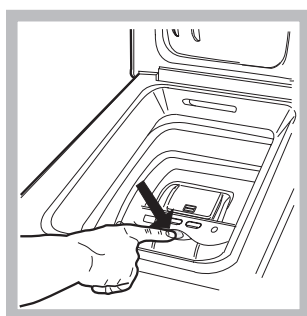
Rozsvícení této kontrolky poukazuje na to, že dvířka jsou zablokována kvůli zamezení náhodnému otevření; aby se předešlo poškození pračky, je třeba před otevřením víka vyčkat, až kontrolka začne blikat.

! Rychlé blikání kontrolky ZAPNUTO/ZABLOKOVANÉ VÍKO spolu s alespoň jednou další kontrolkou upozorňuje na přítomnost poruchy (viz str. 59).

Jak se otvírá a zavírá prací buben



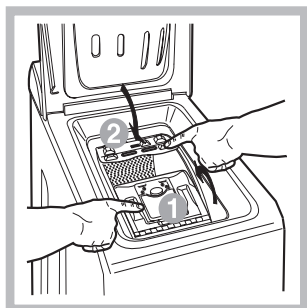
Obr. 1



Obr. 2



Obr. 3



Obr. 4

A) OTEVÍRÁNÍ (Obr. 1): Nadzvedni vrchní kryt a kompletně ho otevři.

B) Otevření bubnu (Soft opening):
Prstem zmáčknout tlačítko označené na obr. 2 a bubn se lehce otevře.

C) VKLÁDÁNÍ PRÁDLA (Obr. 3)

D) ZAVÍRÁNÍ (Obr. 4):

- dobře zavři prací bubn a to tak že nejdříve spustíš přední a pak i zadní dvířka;
- zkontroluj, zdali došlo k dokonalému zasunutí úchytů předních dvířek do jejich uložení v zadních dvířkách;
- po uslyšení zvuku provázejícího zachycení, zatlač zlehka směrem dolů nejdříve jedny a pak druhé dvířka, aby ses ujistil, zdali nedojde k jejich uvolnění;
- na závěr zavři vrchní kryt.

Kontrolky

Kontrolky jsou zdrojem důležitých informací. Informují nás o následujících skutečnostech:

Nastavený čas:

V případě, že byla nastavena funkce odložený start (viz str. 55), po zapnutí pracího programu začne blikat kontrolka odpovídající nastavenému času:



Bude zobrazován čas zbývající do startu, a zobrazování bude provázeno blikáním příslušné kontrolky:



Po uplynutí zvoleného času dojde k zhasnutí kontrolky odloženého startu a k zahájení nastaveného pracího programu.

Aktuální fáze pracího programu:

Během pracího cyklu dojde postupně k rozsvícení jednotlivých kontrolek za účelem indikace průběhu praní:



Poznámka: Během odčerpání vody se rozsvítí kontrolka signalizující fázi odstředování.

Funkční tlačítka

FUNKČNÍ TLAČÍTKA slouží také jako kontrolky. Po zvolení jednotlivé funkce dojde k podsvětlení příslušného tlačítka.

V případě, že zvolená funkce není kompatibilní s nastaveným pracím programem, příslušné tlačítko začne blikat a funkce nebude aktivována.

V případě, že bude zvolena funkce, která není kompatibilní s některou z předem zvolených funkcí, aktivována zůstane pouze poslední zvolená funkce.

Uvedení do chodu a programy




CZ

Ve zkratce: uvedení pracího programu do chodu

1. Zapněte pračku stisknutím tlačítka (I). Na několik vteřin se rozsvítí všechny kontrolky, následně dojde k jejich zhasnutí a začne blikat kontrolka ZAPNUTO/ZABLOKOVANÁ DVÍŘKA.
2. Naplňte pračku prádlem, naplňte dávkovač pracími a přídatnými prostředky (viz str. 56) a na závěr uzavřete dvířka bubny a víko.
3. Voličem PROGRAMŮ nastavte požadovaný prací program.

4. Nastavte teplotu praní (viz str. 55).
5. Nastavte rychlost odstředování (viz str. 55).
6. Uvedte nastavený prací program do chodu stisknutím tlačítka START/VYNULOVÁNÍ. Vynulování nastaveného programu se vykonává stisknutím tlačítka START/VYNULOVÁNÍ na dobu nejméně 2 vteřin.
7. Po ukončení pracího programu bude kontrolka ZAPNUTO/ZABLOKOVANÁ DVÍŘKA blikat, poukazuje na možnost otevření dvířek. Vydejte prádlo a nechte dvířka pootevřená, aby mohlo dojít k vysušení bubny. Vypněte pračku stisknutím tlačítka (I).

Tabulka programů

Druh tkaniny a stupeň jejího znečištění	Prací programy	Teplota	Prací prostředek		Aviváž	Volitelná funkce Odstranění skvrn / Bělící prostředek	Doba cyklu (v minutách)	Popis pracího cyklu
			předp.	praní				
Standardní								
Bavlna: Extrémně znečištěné bílé prádlo (prostěradla, ubrusy, atd.)	1	90°C	•	•	•		167	Předpírka, praní, máchání, průběžné a závěrečné odstředování
Bavlna: Extrémně znečištěné bílé prádlo (prostěradla, ubrusy, atd.)	2	90°C		•	•	Na choul. prádlo/ Tradiční	152	Praní, máchání, průběžné a závěrečné odstředování
Bavlna: Silně znečištěné bílé a barevné prádlo z odolných tkanin	2	60°C		•	•	Na choul. prádlo/ Tradiční	150	Praní, máchání, průběžné a závěrečné odstředování
Bavlna: Silně znečištěné bílé a barevné choulostivé prádlo	2	40°C		•	•	Na choul. prádlo/ Tradiční	140	Praní, máchání, průběžné a závěrečné odstředování
Bavlna: Částečně znečištěné bílé a barevné choulostivé prádlo (košile, trička, atd.)	3	40°C		•	•	Na choul. prádlo/ Tradiční	99	Praní, máchání, průběžné a závěrečné odstředování
Syntetika: Silně znečištěné prádlo z odolných barevných tkanin (kojenecké prádlo, atd.)	4	60°C		•	•	Na choul. prádlo	80	Praní, máchání, zabránění krčení nebo odstředování pro choulostivé prádlo
Syntetika: Silně znečištěné prádlo z odolných barevných tkanin (kojenecké prádlo, atd.)	4	40°C		•	•	Na choul. prádlo	71	Praní, máchání, zabránění krčení nebo odstředování pro choulostivé prádlo
Syntetika: Částečně znečištěné bílé a barevné choulostivé prádlo (košile, trička, atd.)	5	40°C		•	•	Na choul. prádlo	71	Praní, máchání, zabránění krčení nebo odstředování pro choulostivé prádlo
Vlna	6	40°C		•	•		50	Praní, máchání, a odstředování pro choulostivé prádlo
Prádlo z velice choulostivých tkanin (záclony, hedvábí, viskóza, atd.)	7	30°C		•	•		52	Praní, máchání, zabránění krčení nebo vypouštění vody
Time 4 you								
Bavlna: Silně znečištěné bílé a barevné prádlo z odolných tkanin	8	60°C		•	•		60	Praní, máchání, průběžné a závěrečné odstředování
Bavlna: Částečně znečištěné bílé a barevné choulostivé prádlo (košile, trička, atd.)	9	40°C		•	•		50	Praní, máchání, průběžné a závěrečné odstředování
Syntetika: Choulostivé barevné prádlo (lehce znečištěné prádlo všeho druhu)	10	40°C		•	•		40	Praní, máchání, odstředování pro choulostivé prádlo
Syntetika: Choulostivé barevné prádlo (lehce znečištěné prádlo všeho druhu)	11	30°C		•	•		30	Praní, máchání, odstředování pro choulostivé prádlo
Sport								
Sportovní obuv (MAX. 2 páry.)	12	30°C		•	•		50	Praní ve studené vodě (bez pracího prostředku), praní, máchání a odstředování pro choulostivé prádlo
Tkaniny pro sportovní oděv (teplákové soupravy, ponožky, atd.)	13	30°C		•	•		63	Praní, máchání, průběžné a závěrečné odstředování
DÍLČÍ PROGRA-MY								
Máchání					•	Na choul. prádlo/ Tradiční		Máchání a odstředování
Odstředování								Vypouštění vody a odstředování
Vypouštění vody								Vypouštění vody

Poznámky

-Při programech 8-9 se doporučuje nepřekročit náplň pračky 3,5 kg.

-Při programu 13 se doporučuje nepřekročit náplň pračky 2 kg.

-Popis ochrany před zmačkáním: viz Snadné žehlení, *na vedlejší straně*. Údaje uvedené v tabulce mají pouze informativní charakter.

Speciální program

Každodenní praní 30' (program 11 pro syntetiku) je navržen speciálně pro praní lehce znečištěného prádla během krátké doby: trvá pouze 30 minut a šetří tak energii a čas. Nastavením programu (11 při 30°C) je možné prát spolu prádlo různého druhu (s výjimkou vlny a hedvábí) s náplní nepřesahující 3 kg. *Doporučuje se použití tekutého pracího prostředku.*

Nastavení činnosti dle potřeb uživatele


Nastavení teploty

Otáčením voliče TEPLoty dojde k nastavení teploty praní (viz Tabulka programů na str. 54). Teplota může být postupně snižována až po praní ve studené vodě (❄).

Nastavení rychlosti odstředování

Otáčením voliče RYCHLOSTI ODSTŘEĐOVÁNÍ se nastavuje rychlost odstředování zvoleného pracovního programu. Maximální hodnoty rychlosti pro jednotlivé pracovní programy jsou:

Pracovní programy	Maximální rychlost
Bavlna	1000 otáček za minutu
Syntetika	800 otáček za minutu
Vlna	600 otáček za minutu
Hedvábí	ne

Rychlost odstředování může být snížena nebo odstředování může být vyloučeno volbou symbolu . Zařízení automaticky zabrání odstředování vyšší rychlostí než je maximální hodnota rychlosti pro každý pracovní program.







! Aby se zabránilo nadměrným vibracím, pračka před každým odstředováním rovnoměrně rozloží náplň tak, že se buben nepřetržitě otáčí rychlostí, která mírně převyšuje rychlost použitou během pracovního cyklu. Když se ani po několika pokusech nepodaří dokonale rozložit náplň, pračka provede odstředování nižší rychlostí, než je předpokládaná rychlost. V případě nadměrného nevyvážení pračka provede rozložení namísto odstředování. Případné pokusy o vyvážení mohou prodloužit celkovou dobu cyklu až o 10 minut.

Funkce

Jednotlivé funkce, kterými pračka disponuje umožňují dosáhnout požadovaný stupeň čistoty a bělosti praného prádla. Způsob aktivace jednotlivých funkcí:

1. stisknete tlačítko příslušné požadované funkce podle níže uvedené tabulky;
2. podsvětlení příslušného tlačítka signalizuje, že došlo k aktivaci zvolené funkce.

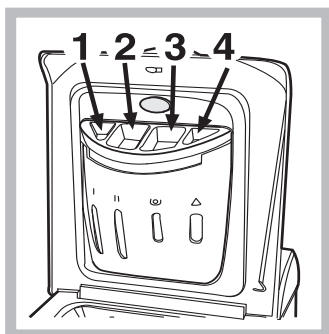
Poznámka: Rychlé blikání tlačítka poukazuje na to, že příslušná funkce je nepoužitelná během nastaveného pracovního programu.

Funkce	Efekt	Poznámky k použití	Aktivní při programech:
Odložený start 	Slouží k odložení startu pracovního cyklu až o 9 hodin.	Opakovaně stiskněte tlačítko az do rozsvícení kontrolky označující požadovaný čas. Po pátém stisknutí tlačítka dojde k vyloučení uvedené funkce. POZN.: Po stisknutí tlačítka Start/Vynulování je možné změnit hodnotu času pouze jeho snížením.	Všech
Bělení 	Bělící cyklus vhodný na odstranění nejodolnějších skvrn.	Nezapomeňte na vložení bělicího prostředku do přídatné přihrádky 4 (viz str. 56). Není kompatibilní s použitím volitelné funkce SNADNÉ ZEHLENÍ.	2, 3, 4, 5, máchání.
Snadné zehlení 	Slouží ke snížení počtu záhybů na tkaninách, ulehčující následné zehlení.	Po nastavení této funkce dojde k přerušení programů 3, 4, 5, 6, 7, 8, 9, 10 a Jemné máchání s prádlem ve vodě (ochrana před zmačkáním), provázenému blikáním kontrolky Máchání  : - dokončení pracovního cyklu je možné po stisknutí tlačítka START/VYNULOVÁNÍ; - přejete-li si pouze vypustit vodu, nastavte otočný volič do polohy označené  a stiskněte tlačítko START/VYNULOVÁNÍ. Není kompatibilní s použitím volitelné funkce BĚLENÍ.	3, 4, 5, 6, 7, 8, 9, 10 máchání.
Intenzivní máchání 	Slouží ke zvýšení účinnosti máchání.	Její použití se doporučuje při zcela naplněné pračce anebo při použití velkého množství pracovního prostředku.	1, 2, 3, 4, 5, 8, 9, 10, 12, 13 máchání.

Prací prostředky a prádlo

CZ

Dávkovač pracích prostředků



Dobrý výsledek praní závisí také na správném dávkování pracích prostředků: použití jejich nadměrného množství snižuje efektivitu praní a napomáhá tvorbě vodního kamene na vnitřních částech

pračky a znečištění životního prostředí.

Při vytahování dávkovače pracích prostředků a při jeho plnění pracími anebo přídatnými prostředky postupujte následovně:

příhrádka 1: Prací prostředek (práškový) pro předpírání

příhrádka 2: Prací prostředek (v prášku nebo tekutý)

Tekutý prací prostředek je vhodné nalít přímo do bubnu do dávkovací kuličky.

příhrádka 3: Přídavné prostředky (aviváž atd.)

Při plnění oddílu 3 aviváží dávejte pozor, abyste nepřelili maximální přípustnou úroveň, označenou „max“.

Aviváž je automaticky přiváděna do pračky v průběhu posledního máchání. Na konci pracího programu zůstane v oddílu 3 zbytek vody. Tato voda slouží pro přívod velmi hustých prostředků nebo ke zředění koncentrovaných prostředků. V případě, že v oddílu 3 zůstane více vody než obvykle, znamená to, že je ucpan vyprazdňovací mechanismus. Vyčištění mechanismu viz str. 58.



přídavná příhrádka 4: Bělící prostředek

! Nepoužívejte prací prostředky určené na ruční praní, protože způsobují tvorbu nadměrného množství pěny.

Cyklus bělení

Tradiční bělící prostředek se používá pro odolné bílé prádlo, **jemný** pro barevné a syntetické prádlo a pro vlnu.

Při dávkování bělícího prostředku nepřekračujte “max” označenou na přídavné příhrádce 4 (viz obrázek).

Přejete-li si provést samostatné bělení, nalijte bělící prostředek do přídavné příhrádky 4, nastavte speciální program Máchání  a stiskněte funkční tlačítko  Odstranění skvrn.

Příprava prádla

- Roztřídte prádlo podle:
 - druhu tkaniny / symbolu na visačce.
 - barvy: oddělte barevné prádlo od bílého.
- Vyprázdněte kapsy a zkontrolujte knoflíky.
- Nepřekračujte povolenou náplň, vztahující se na hmotnost suchého prádla:
 - Odolné tkaniny: max. 5 kg
 - Syntetické tkaniny: max. 2.5 kg
 - Jemné tkaniny: max. 2 kg
 - Vlna: max. 1 kg

Kolik váží prádlo?

- 1 prostěradlo 400-500 g
- 1 povlak na polštář 150-500 g
- 1 ubrus 400-500 g
- 1 župan 900-1.200 g
- 1 ručník 150-250 g

Oděvy vyžadující zvláštní péči

Záclony: přehnout je a uložit dovnitř povlaku na polštář anebo do sáčku ze síťoviny. Je třeba je prát samostatně a nepřekročit přitom poloviční náplň. Na praní záclon použijte program 7, který automaticky vyloučí odstředování.

Prošívané kabáty a větrovky: je možné je prát v pračce v případě, že jsou plněny husím anebo kachním prachovým peřím. Jednotlivé kusy oděvu obraťte naruby, naplňte pračku náplní s hmotností nepřesahující 2-3 kg, zopakujte jeden anebo vícrát máchání a použijte jemné odstředování.

Tenisky: očistěte je od bahna. Můžete je prát spolu s džínami a prádlem z odolných tkanin, nemůžete je však prát spolu s bílým prádlem.

Vlna: abyste dosáhli nejlepších výsledků, je třeba použít specifický prací prostředek na praní vlny a nepřekročit 1 kg náplně.

! Pračka byla navržena a vyrobena v souladu s platnými mezinárodními bezpečnostními předpisy. Tato upozornění jsou uváděna z bezpečnostních důvodů a je třeba si je pozorně přečíst.

Základní bezpečnostní pokyny

- Pračku mohou používat pouze dospělé osoby, podle pokynů uvedených v tomto návodu.
- Nedotýkejte se zařízení bosí, anebo v případě, když máte mokré ruce anebo nohy.
- Nevytahujte zástrčku ze zásuvky tahem za kabel, ale uchopením za zástrčku.
- Neotvírejte dávkovač pracích prostředků během činnosti zařízení.
- Nedotýkejte se vyčerpávané vody, protože může mít velmi vysokou teplotu.
- Nepokoušejte se o násilné otevření dvířek: mohlo by dojít k poškození bezpečnostního uzávěru, který zabraňuje náhodnému otevření.
- Při výskytu poruchy se v žádné případě nepokoušejte o opravu vnitřních částí zařízení.
- Vždy mějte pod kontrolou děti a zabraňte jejich přiblížení se k pračce během pracího cyklu.
- Během pracího cyklu mají dvířka tendenci ohřát se.
- V případě potřeby přemíst'ujte pračku ve dvou nebo ve třech, a věnujte celé operaci zvláštní pozornost. Nikdy se nepokoušejte pračku přemíst'ovat sami, je totiž velmi těžká.
- Před zahájením vkládání prádla zkontrolujte, zda je buben prázdný.

Likvidace

- Likvidace obalových materiálů: při jejich odstranění postupujte v souladu s místním předpisy a dbejte na možnou recyklaci.
- **Likvidace starých elektrických zařízení**
Evropská směrnice 2002/96/EC o odpadních elektrických a elektronických zařízeních stanovuje, že staré domácí elektrické spotřebice nesmí být odkládány do běžného netříděného domovního odpadu. Staré spotřebice musí být odevzdány do odděleného sberu, a to za účelem recyklace a optimálního využití materiálu, které

obsahují, a z důvodu předcházení negativním dopadům na lidské zdraví a životní prostředí. Symbol "preškrtnuté popelnice" na výrobku vás upozorňuje na povinnost odevzdat zařízení po skončení jeho životnosti do odděleného sberu.

Spotřebitelé by měli kontaktovat příslušné místní úřady nebo svého prodejce ohledně informací týkajících se správné likvidace starého zařízení.

- Likvidace staré pračky: před její likvidací se postarejte o její znehodnocení, odstříhnutím přírodního kabelu a oddělením dvířek.

Jak ušetřit a brát ohled na životní prostředí

Technika ve službách životního prostředí

Vysvětlením toho, že uvnitř pračky je vidět málo vody, je skutečnost, že nový způsob praní Indesit umožňuje dokonale vyprat prádlo s použitím méně než polovičního množství vody: jedná se o dosažení vytýčeného cíle s ohledem na životné prostředí.

Šetření pracími prostředky, vodou, energií a časem

- Aby nedocházelo k plýtvání, je třeba používat pračku s plnou náplní. Jedna plná náplň, ve srovnání se dvěma polovičními, umožňuje ušetřit až 50% energie.
- Předpírání je potřebné pouze při praní silně znečištěného prádla. Prací program bez předpírání umožňuje ušetřit od 5 do 15% energie.
- Při aplikaci příslušného prostředku proti skvrnám anebo jejich namočením před zahájením praní, je možné vyhnout se praní při vysokých teplotách. Použití stejného pracího programu při teplotě 60°C namísto 90°C anebo 40°C namísto 60°C, umožňuje ušetřit až 50% energie.
- Správné dávkování pracího prostředku, s ohledem na tvrdost vody, stupeň znečištění a množství praného prádla zabraňuje plýtvání a chrání životní prostředí: i když se jedná o biodegradabilní látky, prací prostředky narušují přirozenou rovnováhu v přírodě. Dále se je třeba, dle možností, vyhnout použití aviváže.
- Praní v podvečer nebo brzy ráno napomáhá nižší zátěži firem, zabývajících se výrobou energie. Volitelná funkce odložený start (*viz str. 43*) značně napomáhá organizaci praní právě na základě uvedených pravidel.
- V případě, že prádlo má být vysušeno v sušičce, zvolte vysokou rychlost odstředování. Malé množství vody umožňuje šetřit čas a energii během sušícího programu.

Údržba a péče

CZ

Uzavření přívodu vody a vypnutí elektrického napájení

- Po každém praní uzavřete přívod vody. Tímto způsobem dochází k omezení opotřebení pračky a ke snížení nebezpečí úniku vody.
- Před zahájením čištění pračky a během operací údržby je třeba vytáhnout zástrčku přívodního kabelu ze zásuvky.

Čištění pračky

Vnější části a části z gumy mohou být čištěny hadrem navlhčeným ve vlažné vodě a saponátu. Nepoužívejte rozpouštědla anebo brusné prostředky.

Čištění dávkovače pracích prostředků

Vytáhněte dávkovač jeho nadzvednutím a vytáhnutím směrem ven (viz obrázek). Umyjte ho pod proudem vody; tento druh vyčištění je třeba vykonávat pravidelně.

Péče o dvířka a buben

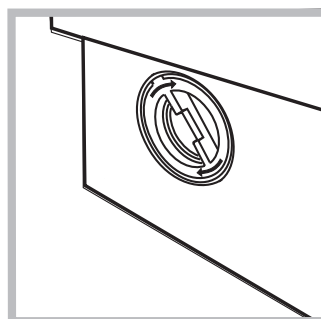
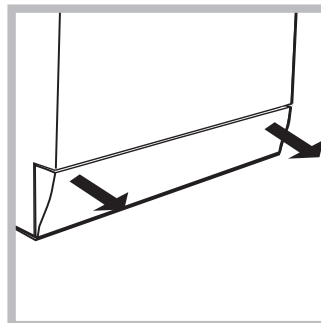
- Dvířka ponechte po každé pootevřeny, aby se zabránilo tvorbě nepříjemných zápachů.

Čištění čerpadla

Součástí pračky je samočisticí čerpadlo, která nevyžaduje zvláštní péči. Může se však stát, že se v jeho vstupní části, určené na jeho ochranu, a nacházející se v jeho spodní části, zachytí drobné předměty (mince, knoflíky).

! Ujistěte se, že prací cyklus byl ukončen a vytáhněte zástrčku ze zásuvky.

K znovuzískání případných předmětů spadných do vstupní části:



1. tahem rukou směrem od bočnic sundat podložku dolů na zadní stranu pračky (viz obrázek);
2. odšroubujte vrchní kryt otáčením proti směru hodinových ručiček (viz obrázek): vytečení malého množství vody je zcela běžným jevem;
3. dokonale vyčistěte vnitřek vstupní části čerpadla;
4. nasadte zpátky vrchní kryt;
5. namontujte zpátky krycí panel, přičemž se, před jeho přisunutím k pračce ujistěte, že došlo k správnému zachycení háčků do příslušných otvorů.

Kontrola přítokové hadice

Stav přítokové hadice je třeba zkontrolovat alespoň jednou ročně. Jsou-li na ní viditelné praskliny anebo trhliny, je třeba ji vyměnit: silný tlak působící na hadici během pracího cyklu by mohl způsobit její náhlé roztrhnutí.

! Nikdy nepoužívejte již použité hadice.

Jak se čistí dávkovač pracích prostředků

Demontáž:

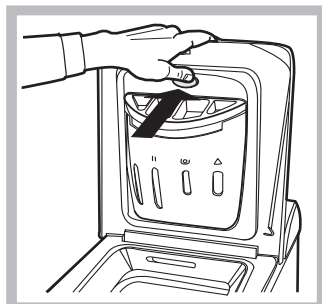
Zlehka zatlačit na velké tlačítko nacházející se ve přední části dávkovače pracích prostředků a vytáhnout ho směrem nahoru (obr. 1).

Čištění:

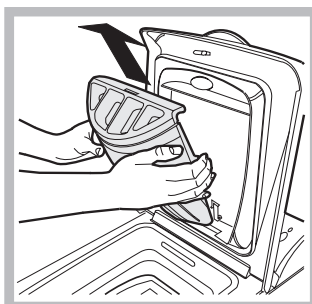
Očistit dávkovač pod kohoutkem (obr.3) s tekoucí vodou pomocí starého zubního kartáčku a, po vytažení páru sifonů uložených v horní části přihrádek 1 a 2 (obr. 4) zkontrolovat, nejsou-li ucpány a omýt je pod vodou.

Zpětná montáž:

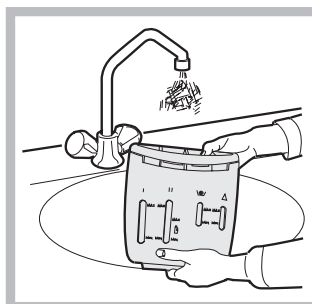
Nezapomeň vložit na původní místo sifony a pak vlož i dávkovač (obr. 4, 2, 1).



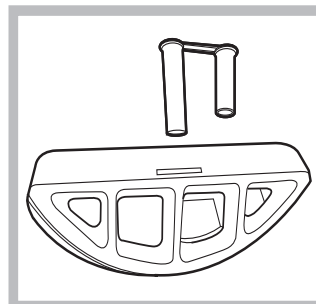
Obr. 1



Obr. 2



Obr. 3



Obr. 4

Může se stát, že pračka nebude fungovat. Před telefonickým kontaktováním servisní služby (viz str. 60), zkontrolujte prostřednictvím následujícího seznamu, zda se nejedná o jednoduše odstranitelný problém.

Poruchy:

Možné příčiny / Způsob jejich odstranění:

Pračku nelze zapnout.

- Zástrčka není zasunuta v zásuvce, anebo ne natolik, aby došlo ke spojení kontaktů.
- V celém domě je vypnut proud.

Nedochází k zahájení pracího cyklu.

- Dvířka nejsou správně zavřena (kontrolka Zablokované víko bliká).
- Nebylo stisknuto tlačítko (I).
- Nebylo stisknuto tlačítko START/VYNULOVÁNÍ.
- Nebyl otevřen kohoutek přívodu vody.
- Byl nastaven odložený start (Odložený start, viz str. 55).

Nedochází k napouštění vody do pračky.

- Přívodní hadice není připojena k vodovodnímu kohoutku.
- Přívodní hadice je příliš ohnuta.
- Nebyl otevřen kohoutek přívodu vody.
- V celém domě je uzavřen přívod vody.
- V rozvodu vody není dostatečný tlak.
- Nebylo stisknuto tlačítko START/VYNULOVÁNÍ.

Dochází k nepřetržitému napouštění a vyčerpávání vody.

- Ústí vypouštěcí hadice se nachází mimo určené rozmezí od 65 do 100 cm nad zemí (viz str. 51).
- Koncová část vypouštěcí hadice je ponořena ve vodě (viz str. 51).
- Odpad ve stěně není vybaven odvzdušňovacím otvorem.

Když ani po uvedených kontrolách nedojde k odstranění problému, uzavřete přívod vody, vypněte pračku a přivolejte servisní službu. V případě, že se byt nachází na jednom z nejvyšších poschodí, je možné, že dochází k sifonovému efektu, jehož následkem pračka nepřetržitě napouští a odčerpává vodu. Na odstranění uvedeného efektu jsou v prodeji běžně dostupné speciální protisifonové ventily.

Nedochází k vyčerpání vody anebo k odstředování.

- Odčerpání vody netvoří součást nastaveného programu: u některých programů je potřebné jeho manuální uvedení do činnosti (viz str. 54).
- Byla aktivována volitelná funkce Snadné žehlení: dokončení pracího cyklu je možné po stisknutí tlačítka START/VYNULOVÁNÍ (viz str. 31).
- Vypouštěcí hadice je příliš ohnuta (viz str. 55).
- Odpadové potrubí je ucpáno.

Během odstředování je možné pozorovat silné vibrace.

- Během instalace nebyl buben odjištěn předepsaným způsobem (viz str. 50).
- Pračka není vyrovnána do vodorovné polohy (viz str. 50).
- Pračka je namáčknuta mezi nábytkem a stěnou (viz str. 50).

Dochází k úniku vody z pračky.

- Přívodní hadice není správně připojena (viz str. 50).
- Dávkovač pracích prostředků je ucpán (způsob jeho vyčištění – viz str. 58).
- Vypouštěcí hadice není upevněna předepsaným způsobem (viz str. 51).

Kontrolka ZAPNUTO/ZABLOKOVANÁ DVÍŘKA bliká rychle spolu s alespoň jednou další kontrolkou.:

- Vypněte zařízení a vytáhněte zástrčku ze zásuvky, vyčkejte 1 minutu a zařízení znovu zapněte.
Když porucha přetrvává, obraťte se na servisní službu.

Dochází k tvorbě nadměrného množství pěny.

- Použitý prací prostředek není vhodný pro použití v automatické pračce (musí obsahovat označení „pro praní v pračce“, „pro praní v rukou nebo v pračce“ anebo podobné označení).
- Bylo použito nadměrné množství pracích prostředků.

Servisní služba

CZ

Před přivoláním servisní služby:

- Zkontrolujte, zda nejste schopni poruchu odstranit sami (*viz str. 59*);
- Opětovně uveďte do chodu prací program, s cílem ověřit, zda byla porucha odstraněna;
- V opačném případě se obraťte na autorizované centrum servisní služby, na telefonním čísle uvedeném na záručním listě.

! Nikdy se neobracejte se žádostí o pomoc na techniky, kteří nejsou na vykonávání této činnosti oprávněni.

Při hlášení poruchy uveďte:

- druh poruchy;
- model pračky (Mod.);
- výrobní číslo (S/N);

tyto informace jsou uvedeny na typovém štítku, nacházejícím se na zadní straně pračky.

SK

Slovenský

WITL 106

Obsah

Inštalácia, 62-63

Rozbalenie a vyrovnanie do vodorovnej polohy, 62
Pripojenie k elektrickej sieti a k rozvodu vody, 62-63
Prvý prací cyklus, 63
Technické údaje, 62

Popis práčky, 64-65

Ovládací panel, 64
Ako sa otvára a zatvára prací bubon, 65
Kontrolky, 65

Uvedenie do chodu a programu, 66

V skratke: uvedenie pracieho programu do chodu, 66
Tabuľka programov, 66

Nastavenie činnosti podľa potrieb užívateľa, 67

Nastavenie rýchlosti odstreďovania, 67
Regulácia odloženého štartu (Delay Timer), 67
Nastavenie teploty, 67
Funkcie, 67

Pracie prostriedky a bielizeň, 68

Dávkovač pracích prostriedkov, 68
Príprava bielizne, 68
Cyklus bielenia, 68
Odevy vyžadujúce špeciálnu starostlivosť, 68

Opatrenia a rady, 69

Základné bezpečnostné pokyny, 69
Likvidácia, 69
Ako ušetriť a brať ohľad na životné prostredie, 69

Údržba a starostlivosť, 70

Zatvorenie prívodu vody a vypnutie elektrického napájania, 70
Čistenie práčky, 70
Čistenie dávkovača pracích prostriedkov, 70
Starostlivosť o dvierka a bubon, 70
Čistenie čerpadla, 70
Kontrola prítokovej hadice, 70
Ako sa čistí dávkovač pracích prostriedkov, 70

Poruchy a spôsob ich odstránenia, 71

Servisná služba, 72

Pred privolaním servisnej služby, 72

Inštalácia

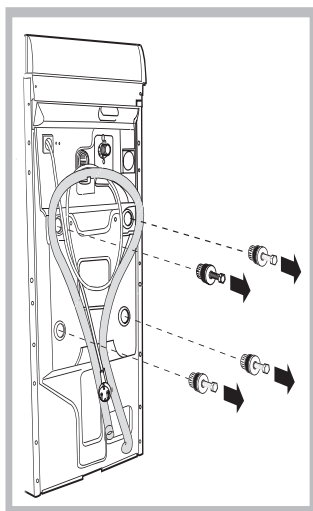
SK

! Je veľmi dôležité uschovať tento návod za účelom jeho ďalšej konzultácie. V prípade predaja, darovania alebo presťahovania práčky sa uistite, že zostane uložený v blízkosti práčky, aby mohol posloužiť novému majiteľovi pri zoznámení sa s činnosťou a s príslušnými upozoreniami.

! Pozorne si prečítajte uvedené pokyny: obsahujú dôležité informácie týkajúce sa inštalácie, použitia a bezpečnosti pri práci.

Rozbalenie a vyrovnanie do vodorovnej polohy

Rozbalenie



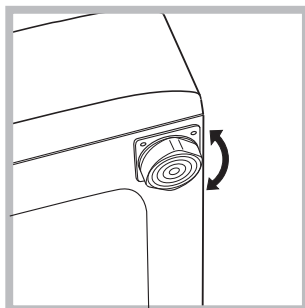
1. Rozbaľte práčku.
2. Skontrolujte, či počas prepravy nedošlo k jej poškodeniu. V prípade, že je poškodená, nezapájajte ju a obráťte sa na predajcu.
3. Odstráňte štyri skrutky s gumovou podložkou a s príslušným dištančným krúžkom, nachádzajúce sa v zadnej časti (vid'obrázok), slúžiace na ochranu počas prepravy.

4. Uzavrte otvory po skrutkách plastovými zátkami.
5. Uschovajte všetky diely: v prípade opätovnej prepravy práčky ich bude treba namontovať späť.

Upozornenie: pri opätovnom použití musia byť kratšie skrutky použité na montáž v hornej polohe.

! Obaly nie sú hračkami pre deti

Vyrovnanie do vodorovnej polohy

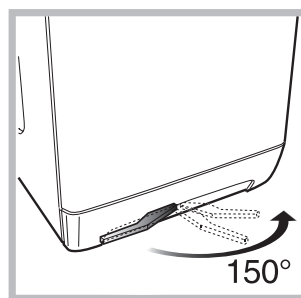


odkrútením alebo zakrútením predných nožičiek (vid'obrázok). Uhol sklonu, nameraný na pracovnej ploche, nesmie presiahnuť 2°.

1. Práčku je potrebné umiestniť na rovnú a pevnú podlahu, bez toho, že by bola opretá o stenu, nábytok alebo niečo iné.
2. V prípade, keď podlaha nie je dokonale vodorovná, môžu byť prípadné rozdiely vykompenzované

Dokonalé vyrovnanie do vodorovnej polohy zabezpečí stabilitu zariadenia a zamedzí vzniku vibrácií a hluku počas činnosti. V prípade inštalácie na podlahovú krytinu alebo na koberec, nastavte nožičky tak, aby pod práčkou zostal dostatok voľného priestoru na ventiláciu.

Inštalácia, premiestnenie

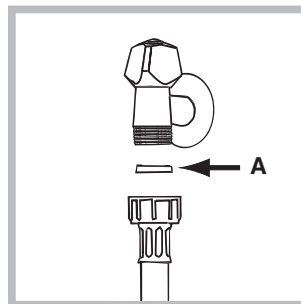


Ak je vaša práčka vybavená špeciálnym podvozkom so zasúvacími kolieskami, bude jej prípadné premiestňovanie ľahšie. Tento podvozok, umožňujúci jej premiestnenie bez vynaloženia väčšej námahy, vysuniete

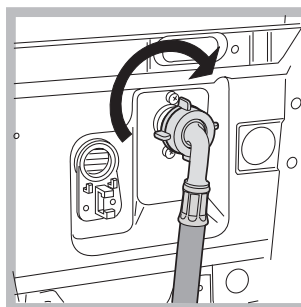
zatiehnutím za páku, ktorá sa nachádza v ľavej dolnej časti pod soklom. Po premiestnení práčky vráťte túto páku do pôvodnej polohy. Takto bude stroj pevne usadený na zvolenom mieste (vid'obrázok).

Pripojenie k elektrickej sieti a k rozvodu vody

Pripojenie prítokovej hadice



1. Vložte tesnenie A do koncevej časti prítokovej hadice a pripevnite ju k uzáveru studenej vody so závitom 3/4" (vid'obrázok). Pred pripojením hadice nechajte vodu odtiecť, až kým nebude priezračná.



2. Pripojte prítokovú hadicu k práčke prostredníctvom príslušného vstupného hrdla, situovaného vpravo hore (vid'obrázok).

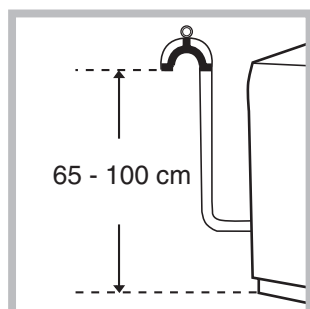
3. Dbajte na to, aby hadica nebola príliš ohnutá alebo stlačená.

! Tlak v rozvode vody sa musí pohybovať v rozmedzí hodnôt uvedených v tabuľke s technickými údajmi (vid' vedľajšia strana).

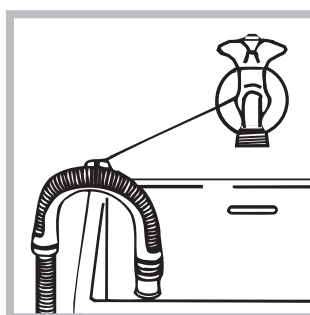
! V prípade, že dĺžka prítokovej hadice nebude dostatočná, obráťte sa na špecializovanú predajňu alebo na autorizovaný technický personál.

! Nikdy nepoužívajte už použité hadice.

Pripojenie odtokovej hadice



Pripojte vypúšťaciu hadicu, bez toho, že by došlo k jej ohnutiu, k odpadovému potrubiu alebo k odpadu v stene, nachádzajúcemu sa od 65 do 100 cm nad zemou;



alebo ju zachyťte na okraj umývadla alebo vane, a pripevnite ju ku kohútiku prostredníctvom držiaku z príslušenstva (vid' obrázok). Voľný koniec vypúšťacej hadice nesmie zostať ponorený do vody.

! Použitie predlžovacích hadíc sa nedoporučuje; ak je však nevyhnutné, predlžovacia hadica musí mať rovnaký priemer ako originálna hadica a jej dĺžka nesmie presiahnuť 150 cm.

Pripojenie k elektrickej sieti

Pred zasunutím zástrčky do zásuvky sa uistite, že:

- zásuvka je uzemnená, a že vyhovuje zákonným predpisom;
- zásuvka je schopná uniesť maximálnu záťaž odpovedajúcu menovitému príkonu zariadenia, uvedenému v tabuľke s technickými údajmi (vid' vedľa);
- hodnota napájacieho napätia odpovedá údajom uvedeným v tabuľke s technickými údajmi (vid' vedľa);
- zásuvka je kompatibilná so zástrčkou práčky. V opačnom prípade je potrebné vymeniť zástrčku.

! Práčka nesmie byť umiestnená vonku – pod holým nebom, a to ani v prípade, keby sa jednalo o miesto chránené pred poveternostnými vplyvmi, pretože je veľmi nebezpečné vystaviť ju pôsobeniu dažďa a búrok.

! Po definitívnom umiestnení práčky musí zásuvka zostať jednoducho prístupná.

! Nepoužívajte predlžovacie káble a rozvodky.

! Kábel nesmie byť ohnutý alebo stlačený.



! Výmena kábla musí byť vykonaná výhradne autorizovaným technickým personálom.

Upozornenie! Výrobca neponesie žiadnu zodpovednosť za následky nerešpektovania uvedených predpisov.

Prvý prací cyklus

Po nastavení práčky, pred jej použitím na pranie bielizne, je potrebné vykonať jeden skúšobný cyklus, s pracím prostriedkom a bez náplne bielizne, pri teplote 90°C, bez predpierania.

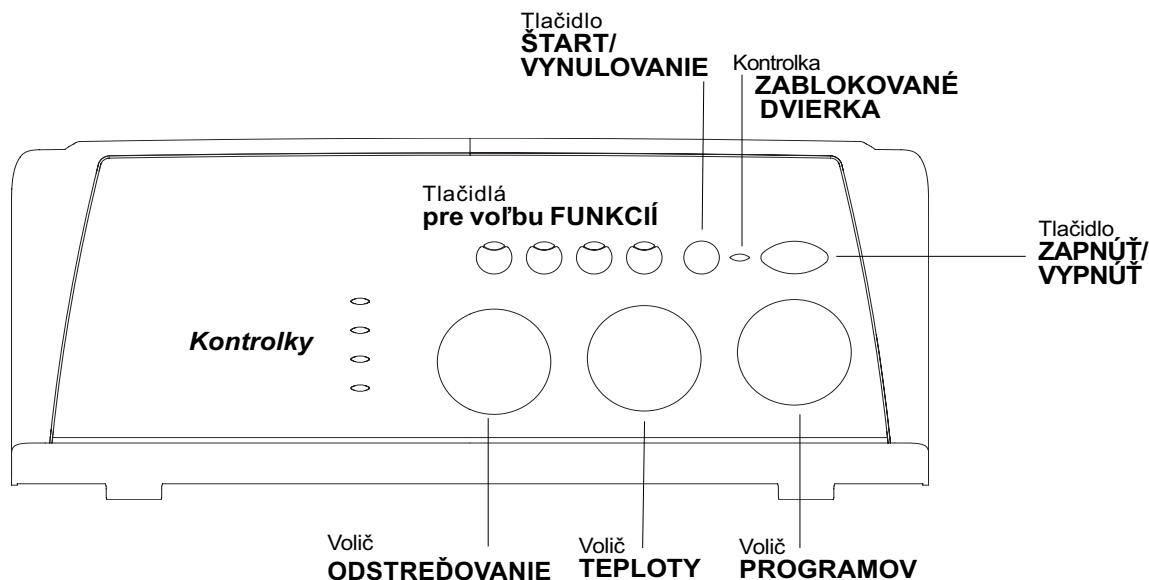
Technické údaje

Model	WITL 106
Rozmery	šírka 40 cm výška 85 cm hĺbka 60 cm
Kapacita	od 1 do 5 kg
Elektrické zapojenie	Vid' štítok s technickými údajmi, aplikovaný na zariadení.
Pripojenie k rozvodu vody	maximálny tlak 1 MPa (10 bar) maximálny tlak 0,05 MPa (0.5 bar) kapacita bubna 42 litrov
Rýchlosť odstreďovania	až do 800 otáčok za minútu
Kontrolný program podľa normy EN 60456	program 2; teplota 60°C; náplň 5 kg prádla.
 	Toto zariadenie je v zhode s nasledujúcimi smernicami Európskej únie: - 89/336/EHS z 03/05/89 (Elektromagnetická kompatibilita) v platnom znení - 2006/95/CE (Nízke napätie) - 2002/96/CE
Hlučnosť (dB(A) re 1 pW)	Pranie: 66 Odstreďovanie: 77

Popis práčky

SK

Ovládací panel



Dávkač pracích prostriedkov na dávkovanie pracích a prídavných prostriedkov (vid' str. 68).

Kontrolky na kontrolu postupu pracieho programu. (vid' str. 65).

Tlačidlá pre voľbu **FUNKCIÍ** - tlačidlá na voľbu jednotlivých funkcií. Tlačidlo zvolenej funkcie zostane podsvietené.

Tlačidlo **ONESKORENÝ START** na odloženie štartu nastaveného programu maximálne o 9 hodín (vid' str. 67).

Tlačidlo **ODSTREĎOVANIE** slúži na nastavenie rýchlosti odstreďovania až po jeho úplné vylúčenie (vid' str. 67).

Volič **TEPLOTY** na nastavenie teploty alebo pranie v studenej vode (vid' str. 43).

Tlačidlo **ZAPNÚŤ/VYPNÚŤ** na zapnutie alebo vypnutie práčky.

Tlačidlo **ŠTART/VYNULOVANIE** na spustenie programu alebo na vynulovanie nesprávne nastaveného programu.

Kontrolka **ZAPNUTÉ/ZABLOKOVANÉ DVIERKA** indikuje, práčka je zapnutá (bliká) alebo, že dvierka je možné otvoriť (stále svetlo) (vid' str. 64).

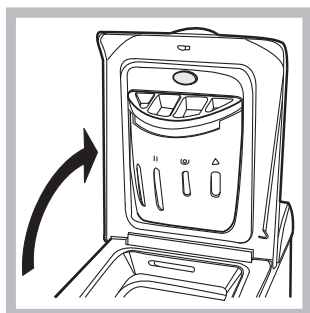
Volič **PROGRAMOV** na nastavenie programov (vid' str. 66). Počas spusteného programu zostane volič zastavený.

Kontrolka ZAPNUTÉ/ZABLOKOVANÉ DVIERKA:

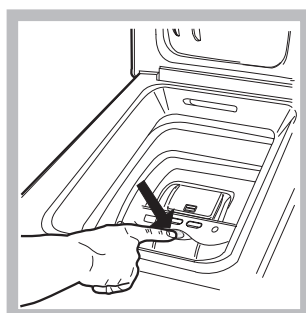
Rozsvietenie tejto kontrolky poukazuje na to, že dvierka sú zablokované kvôli zamedzeniu náhodnému otvoreniu; aby nedošlo k poškodeniu pred otvorením dvierok, je potrebné vyčkať, kým kontrolka začne blikáť.

! rýchle blikanie kontrolky ZAPNUTÉ/ZABLOKOVANÉ DVIERKA súčasne aspoň s jednou ďalšou kontrolkou upozorňuje na prítomnosť poruchy (vid' str. 71).

Ako sa otvára a zatvára prací bubon



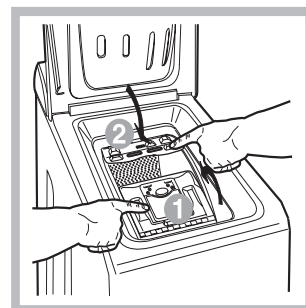
Obr. 1



Obr. 2



Obr. 3



Obr. 4

A) OTVÁRANIE (obr. 1):

Zdvihnite hornú dosku a úplne ju otvorte.

B) OTVORENIE BUBNA (Otvorenie zľahka):

Prstom stlačte tlačidlo znázornené na obr. 2 a bubon sa zľahka otvorí.

C) VKLADANIE BIELIZNE (obr. 3)

D) ZAVIERANIE (obr. 4):

- Prací bubon dobre zavriete tak, že najskôr spustíte predné a potomaj zadné dvierka;
- skontrolujte či sú úchytky predných dvierok dokonale zasunuté do príslušných otvorov v zadných dvierkach;
- po zacvaknutí najprv zľahka zatlačte smerom dole prvé a potom druhé dvierka, aby ste sa uistili, že nedôjde k ich uvoľneniu;
- nakoniec zavrite hornú dosku.

Kontrolky

Kontrolky sú zdrojom dôležitých informácií. Informujú nás o nasledujúcich skutočnostiach:

Nastavený čas:

V prípade, ak bola nastavená funkcia oneskorený štart (viď str. 67), po zapnutí pracieho programu začne blikať kontrolka odpovedajúca nastavenému času:



2h



4h



6h



9h

Bude zobrazovaný čas zostávajúci do štartu, a zobrazovanie bude sprevádzané blikaním príslušnej kontrolky:



2h



4h



6h



9h

Po uplynutí zvoleného času dôjde k zhasnutiu kontrolky odloženého štartu a k zahájeniu nastaveného pracieho programu.

Aktuálna fáza pracieho programu:

Počas pracieho cyklu dôjde postupne k rozsvieteniu jednotlivých kontroliek za účelom indikácie priebehu prania:



Predpierka



Pranie



Plákanie



Odstreďovanie

Poznámka: Počas vypúšťania vody sa rozsvieti kontrolka poukazujúca na fázu odstredovania.

Funkčné tlačidlá

FUNKČNÉ TLAČIDLÁ slúžia tiež ako kontrolky.

Po zvolení jednotlivé funkcie dôjde k podsvieteniu príslušného tlačidla.


V prípade, že zvolená funkcia nie je kompatibilná s nastaveným pracím programom, príslušné tlačidlo začne blikať a funkcia nebude aktivovaná.


V prípade, že bude zvolená funkcia, ktorá nie je kompatibilná s niektorou z vopred zvolených funkcií, aktivovaná zostane len posledne zvolená funkcia.

Uvedenie do chodu a programy




SK

V skratke: uvedenie pracieho programu do chodu

1. Zapnite práčku stlačením tlačidla . Na niekoľko sekúnd sa rozsvietia všetky kontrolky, následne dôjde k ich zhasnutiu a začne blikať kontrolka ZAPNUTÉ/ZABLOKOVANÉ DVIERKA.
2. Naplňte práčku prádlom a dávkovač pracími a prídavnými prostriedkami (vid' str. 68) a potom zatvorte dvierka a kryt.
3. Voličom PROGRAMOV nastavte požadovaný prací program.

4. Nastavte teplotu prania (vid' str. 67).
5. Nastavte rýchlosť odstreďovania (vid' str. 67)
6. Uvedte nastavený prací program do chodu stlačením tlačidla ŠTART/VYNULOVANIE. Vynulovanie nastaveného programu sa vykonáva stlačením tlačidla ŠTART/VYNULOVANIE na dobu najmenej 2 sekúnd.
7. Po ukončení pracieho programu bude kontrolka ZAPNUTÉ/ZABLOKOVANÉ DVIERKA blikať, poukazujúc na možnosť otvorenia dvierok. Vyberte prádlo a nechajte potvorené dvierka, aby mohlo dôjsť k vysušeniu bubna. Vypnite práčku stlačením tlačidla .

Tabuľka programov

Druh tkaniny a stupeň jej znečistenia	Pracie progr.	Teplota	Prací prostriedok		Aviváž	Volič ná funkcia Belenie / Bieliaci prostriedok	Doby cyklov (v minútach)	Popis pracieho cyklu
			na predpr.	na pranie				
Štandard-ný								
Bavlna: Extrémne znečistené biele prádlo (plachty, obrusy, atď.)	1	90°C	.	.	.		175	Predpranie, pranie pláchanie, priebežné a záverečné odstreďovanie
Extrémne znečistené biele prádlo (plachty, obrusy, atď.)	2	90°C		.	.	Na chúl. prádlo/Tradičný	160	Pranie pláchanie, priebežné a záverečné odstreďovanie
Silne znečistené biele a farebné prádlo z odolných tkanín	2	60°C		.	.	Na chúl. prádlo/Tradičný	150	Pranie pláchanie, priebežné a záverečné odstreďovanie
Silne znečistené biele a farebné chúlolistivé prádlo	2	40°C		.	.	Na chúl. prádlo/Tradičný	142	Pranie pláchanie, priebežné a záverečné odstreďovanie
Bavlna: Čiastočne znečistené biele a farebné jemné prádlo (košeľe, tričká, atď.)	3	40°C		.	.	Na chúl. prádlo/Tradičný	99	Pranie pláchanie, priebežné a záverečné odstreďovanie
Syntetiki: Silne znečistené prádlo z odolných farebných tkanín (kojenecké prádlo, atď.)	4	60°C		.	.	Na chúl. prádlo	80	Pranie, pláchanie, zabránenie krčeniú alebo odstreďovanie pre chúlolistivé prádlo
Syntetiki: Silne znečistené prádlo z odolných farebných tkanín (kojenecké prádlo, atď.)	4	40°C		.	.	Na chúl. prádlo	71	Pranie, pláchanie, zabránenie krčeniú alebo odstreďovanie pre chúlolistivé prádlo
Syntetiki: Čiastočne znečistené biele a farebné jemné prádlo (košeľe, tričká, atď.)	5	40°C		.	.	Na chúl. prádlo/Tradičný	71	Pranie pláchanie, priebežné a záverečné odstreďovanie
Vlna	6	40°C		.	.		50	Pranie, pláchanie, a odstreďovanie pre chúlolistivé prádlo
Prádlo z veľmi jemných tkanín (záclony, hodváb, viskóza, atď.)	7	30°C		.	.		52	Pranie, pláchanie, zabránenie krčeniú alebo vypúšťanie vody
Time 4 you								
Bavlna: Silne znečistené biele a farebné prádlo z odolných tkanín	8	60°C		.	.		60	Pranie pláchanie, priebežné a záverečné odstreďovanie
Bavlna: Čiastočne znečistené biele a farebné chúlolistivé prádlo (košeľe, tričká, atď.)	9	40°C		.	.		50	Pranie pláchanie, priebežné a záverečné odstreďovanie
Syntetiki: Chúlolistivéfarebné prádlo (zľahka znečistené prádlo všetkého druhu)	10	40°C		.	.		40	Pranie, pláchanie, a odstreďovanie pre chúlolistivé prádlo
Syntetiki: Chúlolistivéfarebné prádlo (zľahka znečistené prádlo všetkého druhu)	11	30°C		.	.		30	Pranie, pláchanie, a odstreďovanie pre chúlolistivé prádlo
Šport								
Športová obuv (MAX. 2 páry.)	12	30°C		.	.		50	Pranie v studenej vode (bez pracieho prostriedku), pranie, pláchanie a odstreďovanie pre chúlolistivé prádlo
Tkaniny pre športový odev (teplákové súpravy, ponožky, atď.)	13	30°C		.	.		63	Pranie pláchanie, priebežné a záverečné odstreďovanie
ČIASTOČNÉ PROGRAMY								
Pláchanie					.	Na chúl. prádlo/Tradičný		Pláchanie o odstreďovanie
Odstreďovanie								Vypúšťanie vody a odstreďovanie
Vypúšťanie vody								Vypúšťanie vody

Poznámky

- Pri programoch 8-9 sa doporučuje neprekročiť hmotnosť náplne práčky 3,5 kg.
- Pri programe 13 sa doporučuje neprekročiť náplň práčky 2 kg.
- Popis ochrany pred pokrčením: vid' Jednoduché žehlenie, na vedľajšej strane. Údaje uvedené v tabuľke majú len informatívny charakter.

Špeciálny program

Každodenné pranie 30' (program 11 pre syntetiku) je navrhnutý špeciálne na pranie zľahka znečistenej bielizne počas krátkej doby: trvá len 30 minút a šetrí tak energiu a čas. Nastavením programu (11 pri 30°C) je možné prať spolu bielizeň rôzneho druhu (s výnimkou vlny a hodvábu) s náplňou nepresahujúcou 3 kg. *Doporučuje sa použitie tekutého pracieho prostriedku.*

Nastavenie činnosti podľa potrieb užívateľa


Nastavenie teploty

Otáčaním voliča TEPLoty dôjde k nastaveniu teploty prania (viď Tabuľka programov na str. 66). Teplota môže byť postupne znižovaná až po pranie v studenej vode (❄).

Nastavenie rýchlosti odstreďovania

Otáčaním voliča RÝCHLOSTI ODSREĎOVANIA sa nastavuje rýchlosť odstreďovania zvoleného pracieho programu. Maximálne hodnoty rýchlosti pre jednotlivé pracie programy sú:

Pracie programy	Maximálna rýchlosť
Bavlna	1000 otáčok za minútu
Syntetika	800 otáčok za minútu
Vlna	600 otáčok za minútu
Hodbáv	nie

Rýchlosť odstreďovania môže byť znížená, alebo odstreďovanie môže byť vylúčené voľbou symbolu . Zariadenie automaticky zabráni odstreďovaniu vyššou rýchlosťou než je maximálna hodnota rýchlosti pre každý prací program.




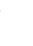


! Aby sa zabránilo nadmerným vibráciám, práčka pred každým odstreďovaním rovnomerne rozloží náplň tak, že sa bude nepretržite otáčať rýchlosťou, ktorá mierne prevyšuje rýchlosť použítú počas pracieho cyklu. Keď sa ani po niekoľkých pokusoch nepodarí dokonale rozložiť náplň, práčka vykoná odstreďovanie nižšou rýchlosťou, ako je predpokladaná rýchlosť. V prípade nadmerného nevyváženia práčka vykoná rozloženie namiesto odstreďovania. Prípadné pokusy o vyváženie môžu predĺžiť celkovú dobu cyklu maximálne o 10 minút.

Funkcie

Jednotlivé funkcie, ktorými práčka disponuje umožňujú dosiahnuť požadovaný stupeň čistoty a bieloby praného prádla. Spôsob aktivácie jednotlivých funkcií:

1. stlačte tlačidlo príslušnej požadovanej funkcie podľa nižšie uvedenej tabuľky;
2. podsvietenie príslušného tlačidla signalizuje, že došlo k aktivácii zvolenej funkcie.

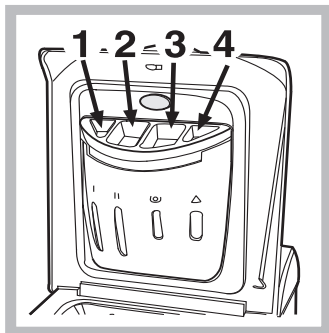
Poznámka: Rýchle blikanie tlačidla poukazuje na to, že príslušná funkcia je nepoužiteľná počas nastaveného pracieho programu.

Voliteľná funkcia	Efekt	Poznámky k použitiu	Aktívna pri programoch:
 Oneskorený štart	Slúži na odloženie štartu pracieho cyklu až o 9 hodín.	Opakovane stláčajte tlačidlo až do rozsvietenia kontrolky označujúcej požadovaný čas. Po piatom stlačení tlačidla dôjde k vylúčeniu uvedenej funkcie. POZN.: Po stlačení tlačidla Štart/Vynulovanie je možné zmeniť hodnotu času len jeho znížením.	Všetkých
 Bielenie	Bieliaci cyklus vhodný na odstránenie najodolnejších škvŕn.	Nezabudnite na vloženie bieliaceho prostriedku do prídavnej priehradky 4 (viď str. 68). Nie je kompatibilná s použitím voliteľnej funkcie JEDNODUCHÉ ZEHLENIE.	2, 3, 4, 5, plákanie.
 Jednoduché zehlenie	Slúži na zníženie počtu záhybov na tkaninách, uľahčujúc následné zehlenie.	Po nastavení tejto voliteľnej funkcie dôjde k prerušeniu programov 3, 4, 5, 6, 7, 8, 9, 10 a jemné plákanie s bielizňou vo vode (ochrana proti krčeniu) a k blikaniu symbolu  : - dokončenie pracieho cyklu je možné po stlačení tlačidla ŠTART/VYNULOVANIE; - ak si prajete len vyčerpať vodu, nastavte otočný volič do polohy označenej  a stlačte tlačidlo ŠTART/VYNULOVANIE. Nie je kompatibilná s použitím voliteľnej funkcie BIELENIE.	3, 4, 5, 6, 7, 8, 9, 10 plákanie.
 Intenzívne plákanie	Slúži na zvýšenie účinnosti plákania.	Jej použitie sa doporučuje pri úplne naplnenej práčke alebo pri použití veľkého množstva pracieho prostriedku.	1, 2, 3, 4, 5, 8, 9, 10, 12, 13 plákanie.

Pracie prostriedky a bielizeň

SK

Dávkovač pracích prostriedkov



Dobrý výsledok prania závisí aj od správneho dávkovania pracích prostriedkov: ich použitie v nadmernom množstve znižuje efektívnosť prania a napomáha tvorbe vodného kameňa na vnútorných častiach práčky a tiež znečisteniu životného prostredia.

Pri vyťahovaní dávkovača pracích prostriedkov a pri jeho plnení pracími alebo prídavnými prostriedkami postupujte nasledovne.

priehradka 1: Prací prostriedok (práškový) na predpierku

priehradka 2: Prací prostriedok na pranie (práškový alebo tekutý)

Tekutý prací prostriedok je vhodné naliať priamo do bubna, prostredníctvom dávkovacej guľičky.

priehradka 3: Prídavné prostriedky (aviváž, atď.)

Po liatí aviváže do priehradky 3 dbajte na to, aby nedošlo k presiahnutiu úrovne označenej „max“. Aviváž bude do práčky dávkovaná automaticky počas posledného plákania. Po ukončení pracieho programu zostane v priehradke 3 zvyšok vody. Táto slúži na riedenie veľmi hustých druhov aviváže, alebo druhov aviváže s vysokou koncentráciou. Ak v priehradke 3 zostane viac vody ako obyčajne, znamená to, že vyprázdňovacie zariadenie je upchaté. Pokyny na čistenie sú uvedené na str. 70.



prídavná priehradka 4: Bieliaci prostriedok

! Nepoužívajte pracie prostriedky určené na ručné pranie, pretože spôsobujú tvorbu nadmerného množstva peny.

Cyklus bielenia

Bieliaci prostriedok **na bežné prádlo** sa môže používať výlučne pri bielení odolného bieleho prádla, zatiaľ čo bieliaci prostriedok **na jemnú bielizeň** sa používa pri bielení farebného prádla, prádla zo syntetických tkanín a vlny.

Pri dávkovaní bieliaceho prostriedku nepresiahnite hladinu „max“, vyznačenú na priehradke 4 (vid' obrázok).

Pri samotnom bielení nalejte bieliaci prostriedok do priehradky 4, nastavte program Plákanie  a príslušným tlačidlom zvolte funkciu Odstránenie škvŕn .

Príprava bielize

- Roztriedte bielizeň podľa:
 - druhu tkaniny / symbolu na visačke.
 - farby: oddelte farebné prádlo od bieleho.
- Vyprázdnite vrecká a skontrolujte gombíky.
- Neprekračujte povolenú náplň, vzťahujúcu sa na hmotnosť suchej bielize:
 - Odolné tkaniny: max. 5 kg
 - Syntetické tkaniny: max. 2.5 kg
 - Jemné tkaniny: max. 2 kg
 - Vlna max. 1 kg

Koľko váži bielizeň?

- 1 plachta 400-500 g
- 1 obliečka na vankúš 150-500 g
- 1 obrus 400-500 g
- 1 župan 900-1.200 g
- 1 uterák 150-250 g

Odevy vyžadujúce špeciálnu starostlivosť

Záclony: prehnite ich a uložte do obliečky na vankúš alebo do sáčku zo sieťoviny. Je treba ich prať samotné a neprekročiť polovičnú náplň. Na pranie záclon použite program 7, ktorý automaticky vylúči odstredovanie.

Prešivané kabáty a vetrovky: je možné ich prať v práčke v prípade, ak sú plnené husacím alebo kačacím perím. Jednotlivé kusy odevu obráťte naruby, naplňte práčku náplňou s hmotnosťou nepresahujúcou 2-3 kg, zopakujte raz alebo viackrát plákanie a použite jemné odstredovanie.

Tenisky: očistite ich od bahna. Môžete ich prať spolu s džínami a bielizňou z odolných tkanín, nemôžete ich však prať spolu s bielou bielizňou.

Vlna: aby ste dosiahli čo najlepšie výsledky, treba použiť špecifický prací prostriedok na pranie vlny a neprekročiť 1 kg náplne.

! Práčka bola navrhnutá a vyrobená v súlade s platnými medzinárodnými bezpečnostnými predpismi. Tieto upozornenia sú uvádzané z bezpečnostných dôvodov a je treba si ich pozorne prečítať.

Základné bezpečnostné pokyny

- Práčku môžu používať len dospelé osoby, podľa pokynov uvedených v tomto návode.
- Nedotýkajte sa zariadenia bosí, alebo v prípade, keď máte mokré ruky alebo nohy.
- Nevyťahujte zástrčku zo zásuvky potiahnutím za kábel, ale uchopením za zástrčku.
- Neotvárajte dávkovač pracích prostriedkov počas činnosti zariadenia.
- Nedotýkajte sa vyčerpanej vody, pretože môže mať veľmi vysokú teplotu.
- Nepokúšajte sa o násilné otváranie dvierok: mohlo by dôjsť k poškodeniu bezpečnostného uzáveru, ktorý zabraňuje náhodnému otvoreniu.
- Pri výskyte poruchy sa v žiadnom prípade nepokúšajte o opravu vnútorných častí zariadenia.
- Vždy majte pod kontrolou deti a zabráňte ich priblíženiu sa k práčke počas pracieho cyklu.
- Počas pracieho cyklu majú dvierka tendenciu zohriať sa.
- V prípade potreby premiestňujte práčku v dvojici alebo v trojici, a venujte celej operácii zvláštnu pozornosť. Nikdy sa nepokúšajte práčku premiestňovať sami, je totiž veľmi ťažká.
- Pred zahájením vkladania bielizne skontrolujte, či je bubon prázdny.

Likvidácia

- Likvidácia obalových materiálov: pri ich odstraňovaní postupujte v súlade s miestnymi predpismi a s cieľom ich recyklácie.
- **Likvidácia starých elektrických zariadení**
Európska smernica 2002/96/EC o odpadových elektrických a elektronických zariadeniach stanovuje, že staré domáce elektrické spotrebice nesmú byť odkladané do bežného netriedeného domového odpadu. Staré spotrebice musia byť odovzdané do oddeleného zberu a to za účelom recyklácie a optimálneho využitia materiálov,

ktoré obsahujú, z dôvodu prevencie negatívneho dopadu na ľudské zdravie a životné prostredie. Symbol "preciarknutej popolnice" na výrobku Vás upozorňuje na povinnosť odovzdať zariadenie po skončení jeho životnosti do oddeleného zberu. Spotrebiteľia majú povinnosť kontaktovať ich lokálny úrad alebo maloobchod kvôli informáciám týkajúcich sa správneho odovzdaniu a likvidácie ich starých spotrebicov.

- Likvidácia starej práčky:
pred jej likvidáciou sa postarajte o jej znehodnotenie, odstránením prírodného kábla a oddelením dvierok.

Ako ušetriť a brať ohľad na životné prostredie

Technológia v službách životného prostredia

Vysvetlením toho, že vo vnútri práčky je vidieť málo vody, je skutočnosť, že nová technológia Indesit umožňuje dokonale vyprať bielizeň s použitím menej než polovičného množstva vody: jedná sa o dosiahnutie vytýčeného cieľa s ohľadom na životné prostredie.

Šetrenie pracími prostriedkami, vodou, energiou a časom

- Aby nedochádzalo k plytvaniu, je treba používať práčku s plnou náplňou. Jedna plná náplň, v porovnaní s dvoma polovičnými, umožňuje ušetriť až 50% energie.
- Predpierka je potrebná len pri praní silno znečistenej bielizne. Prací program bez predpierky umožňuje ušetriť od 5 do 15% energie.
- Pri aplikácii príslušného prostriedku proti škvrnám alebo ich namočením pred zahájením prania, je možné vyhnúť sa praniu pri vysokých teplotách. Použitie rovnakého pracieho programu pri teplote 60°C namiesto 90°C alebo 40°C namiesto 60°C, umožňuje ušetriť až 50% energie.
- Správne dávkovanie pracieho prostriedku, s ohľadom na tvrdosť vody, stupeň znečistenia a množstvo pranej bielizne zabraňuje plytvaniu a chráni životné prostredie: i keď sa jedná o biodegradabilné látky, prací prostriedky narušujú prirodzenú rovnováhu v prírode. Ďalej je sa treba, podľa možnosti, vyhnúť použitiu aviváže.
- Pranie v podvečer alebo skoro ráno napomáha nižšej záťaži firiem, zaoberajúcich sa výrobou energie. Voliteľná funkcia oneskorený štart (*viď str. 55*) značne napomáha organizácii prania práve na základe uvedených pravidiel.
- V prípade, že bielizeň má byť vysušená v sušičke, zvolte vysokú rýchlosť odstredovania. Malé množstvo vody umožňuje šetriť čas a energiu počas programu sušenia.

Údržba a starostlivosť

SK

Zatvorenie prívodu vody a vypnutie elektrického napájania

- Po každom praní uzatvorte prívod vody. Týmto spôsobom dochádza k obmedzeniu opotrebovania práčky a k zníženiu nebezpečenstva úniku vody.
- Pred zahájením čistenia práčky a počas operácií údržby je treba vytiahnuť zástrčku prívodného kábla zo zásuvky.

Čistenie práčky

Vonkajšie časti a časti z gumeny môžu byť čistené handrou navlhčenou vo vlažnej vode a saponáte. Nepoužívajte rozpúšťadlá alebo brúsne prostriedky.

Čistenie dávkovača pracích prostriedkov

Vytiahnite dávkovač jeho nadvihnutím a vytiahnutím smerom von (vid' obrázok).

Umyte ho pod prúdom vody; tento druh vyčistenia je treba vykonávať pravidelne.

Starostlivosť o dvierka a bubon

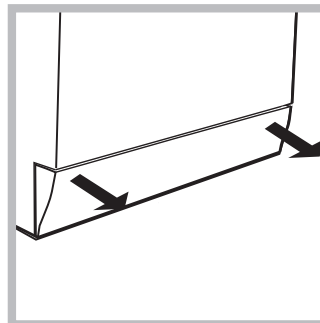
- Dvierka ponechajte zakaždým pootvorené, aby sa zabránilo tvorbe nepríjemných zápachov.

Čistenie čerpadla

Súčasťou práčky je samočistiace čerpadlo, ktoré nevyžaduje osobitnú starostlivosť. Môže sa však stať, že sa v jeho vstupnej časti, určenej na jeho ochranu, a nachádzajúcej sa v jeho spodnej časti, zachytia drobné predmety (mince, gombíky).

! Uistite sa, že prací cyklus bol ukončený a vytiahnite zástrčku zo zásuvky.

Pri vyberaní prípadných predmetov spadnutých do predkomory:



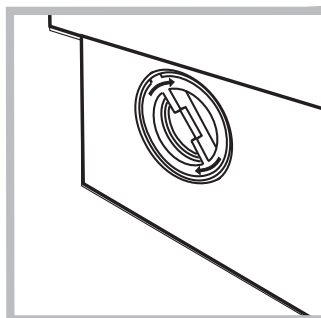
1. odmontovať podstavec práčky v spodnej časti, vpredu, jeho potiahnutím rukami za okraje (vid' obrázok);

2. odkrúťte vrchný kryt jeho otáčaním proti smeru hodinových ručičiek (vid' obrázok): vytečenie malého množstva vody je celkom bežným javom;

3. dokonale vyčistite vnútro vstupnej časti čerpadla;

4. nasadte späť vrchný kryt;

5. namontujte späť krycí panel, pričom sa, pred jeho prisunutím k práčke uistite, že došlo k správnejmu zachyteniu háčikov do príslušných otvorov.



Kontrola prítokovej hadice

Stav prítokovej hadice je treba skontrolovať aspoň raz ročne. Ak sú na nej viditeľné praskliny alebo trhliny, je potrebné ju vymeniť: silný tlak pôsobiaci na hadicu počas pracieho cyklu by mohol spôsobiť jej náhle roztrhnutie.

! Nikdy nepoužívajte už použité hadice.

Ako sa čistí dávkovač pracích prostriedkov

Demontáž:

Zľahka zatlačte na veľké tlačidlo v prednej časti dávkovača pracích prostriedkov a vytiahnite ho smerom nahor (obr. 1 a 2).

Čistenie:

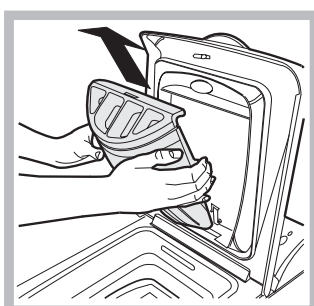
Starou zubnou kefkou vyčistite dávkovač pod kohútikom s tečúcou vodou (obr.3), vytiahnite pár sifónov uložených v hornej časti priehradiek 1 a 2 (obr. 4), skontrolujte či nie sú upchaté a umyte ich pod vodou.

Spätná montáž:

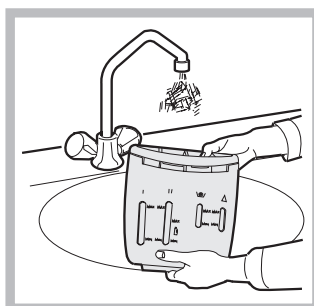
Nezabudnite vložiť na pôvodné miesto sifóny a potom vložte na pôvodné miesto aj dávkovač (obr. 4, 2, 1).



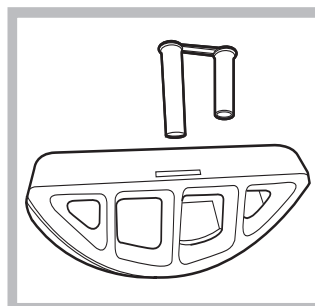
Obr. 1



Obr. 2



Obr. 3



Obr. 4

Môže sa stať, že práčka nebude fungovať. Pred obrátením sa telefonicky na servisnú službu (vid' str. 72), skontrolujte prostredníctvom nasledujúceho zoznamu, či sa nejedná o jednoducho odstrániteľný problém.

Poruchy:

Možné príčiny / Spôsob ich odstránenia:

Práčku nie je možné zapnúť.

- Zástrčka nie je zasunutá v zásuvke, alebo nie dostatočne na to, aby došlo k spojeniu kontaktov.
- V celom dome je vypnutý prúd.

Nedochádza k zahájeniu pracieho cyklu.

- Dvierka nie sú správne zatvorené (kontrolka Zablockovaný kryt bliká).
- Nebolo stlačené tlačidlo (I).
- Nebolo stlačené tlačidlo ŠTART/VYNULOVANIE.
- Nebol otvorený kohútik prívodu vody.
- Bol nastavený oneskorený štart (Oneskorený štart, vid' str. 67).

Nedochádza k napúšťaniu vody do práčky.

- Prívodná hadica nie je pripojená k vodovodnému kohútiku.
- Prívodná hadica je príliš ohnutá.
- Nebol otvorený kohútik prívodu vody.
- V celom dome je uzatvorený prívod vody.
- V rozvode vody nie je dostatočný tlak.
- Nebolo stlačené tlačidlo ŠTART/VYNULOVANIE.

Dochádza k nepretržitému napúšťaniu a vypúšťaniu vody.

- Vypúšťacia hadica sa nachádza mimo určeného rozmedzia od 65 do 100 cm nad zemou (vid' str. 63).
- koncová časť vypúšťacej hadice je ponorená vo vode (vid' str. 63).
- odpad v stene nie je vybavený zavzdušňovacím otvorom.

Keď ani po uvedených kontrolách nedôjde k odstráneniu problému, uzatvorte prívod vody, vypnite práčku a privolajte servisnú službu. V prípade, že sa byt nachádza na jednom z najvyšších poschodí, je možné, že dochádza k sifónovému efektu, následkom čoho práčka nepretržite napúšťa a vypúšťa vodu. Na odstránenie uvedeného efektu sú v predaji bežne dostupné špeciálne protisifónové ventily.

Nedochádza k vyčerpaniu vody alebo k odstredovaniu.

- Odčerpanie vody netvorí súčasť nastaveného programu: u niektorých programov je potrebné jeho manuálne uvedenie do činnosti (vid' str. 66).
- Bola aktivovaná voliteľná funkcia Jednoduché žehlenie: dokončenie pracieho cyklu je možné po stlačení tlačidla ŠTART/VYNULOVANIE (vid' str. 67).
- Vypúšťacia hadica je príliš ohnutá (vid' str. 63).
- Odpadové potrubie je upchaté.

Počas odstredovania je možné pozorovať silné vibrácie.

- Počas inštalácie nebol bubon odistený predpísaným spôsobom (vid' str. 62).
- Práčka nie je vyrovnaná do vodorovnej polohy (vid' str. 62).
- Práčka je zatlačená medzi nábytkom a stenou (vid' str. 62).

Dochádza k úniku vody z práčky.

- Prívodná hadica nie je správne pripojená (vid' str. 62).
- Dávkočac pracích prostriedkov je upchatý (spôsob jeho vyčistenia – vid' str. 70).
- Vypúšťacia hadica nie je upevnená predpísaným spôsobom (vid' str. 63).

Kontrolka ZAPNUTÉ/ZABLOKOVANÉ DVIERKA bliká rýchle spolu s aspoň jednou ďalšou kontrolkou.

- Vypnite zariadenie a vytiahnite zástrčku zo zásuvky, vyčkajte 1 minútu a opätovne ho zapnite.
Ak porucha pretrváva, obráťte sa na Servisnú službu.

Dochádza k tvorbe nadmerného množstva peny.

- Použitý prací prostriedok nie je vhodný pre použitie v automatickej práčke (musí obsahovať označenie „na pranie v práčke“, „na pranie v rukách alebo v práčke“ alebo podobné označenie).
- Bolo ho použité nadmerné množstvo.

Pred privolaním servisnej služby:

- Skontrolujte, či nie ste schopní poruchu odstrániť sami (*vid' str. 71*);
- Opätovne uveďte do chodu prací program, s cieľom overiť, či bola porucha odstránená;
- V opačnom prípade sa obráťte na autorizované centrum servisnej služby, na telefónnom čísle uvedenom na záručnom liste.

! Nikdy sa neobracajte so žiadosťou o pomoc na technikov, ktorí nie sú na vykonávanie tejto činnosti oprávnení.

Pri hlásení poruchy uveďte:

- druh poruchy;
- model práčky (Mod.);
- výrobné číslo (S/N).

tieto informácie sú uvedené na typovom štítku, nachádzajúcom sa na zadnej strane práčky.

Free Manuals Download Website

<http://myh66.com>

<http://usermanuals.us>

<http://www.somanuals.com>

<http://www.4manuals.cc>

<http://www.manual-lib.com>

<http://www.404manual.com>

<http://www.luxmanual.com>

<http://aubethermostatmanual.com>

Golf course search by state

<http://golfingnear.com>

Email search by domain

<http://emailbydomain.com>

Auto manuals search

<http://auto.somanuals.com>

TV manuals search

<http://tv.somanuals.com>