

Instructions for use

WASHING MACHINE

GB

GB

English, 1

ES

Español, 13

DE

Deutsch, 25

GR

ΕΛΛΗΝΙΚΑ, 37

PT

Português, 49

NL

Nederlands, 61

WIXL 125

Contents

Installation, 2-3

Unpacking and levelling, 2
Electric and water connections, 2-3
The first wash cycle, 3
Technical details, 3

Washing machine description, 4-5

Control panel, 4
Leds, 5

Starting and Programmes, 6

Briefly: how to start a programme, 6
Programme table, 6

Personalisations, 7

Setting the temperature, 7
Setting the spin speed, 7
Functions, 7

Detergents and laundry, 8

Detergent dispenser, 8
Bleach cycle, 8
Preparing your laundry, 8
Special items, 8

Precautions and advice, 9

General safety, 9
Disposal, 9
Saving energy and respecting the environment, 9

Care and maintenance, 10

Cutting off the water or electricity supply, 10
Cleaning your appliance, 10
Cleaning the detergent dispenser, 10
Caring for your appliance door and drum, 10
Cleaning the pump, 10
Checking the water inlet hose, 10

Troubleshooting, 11

Service, 12

Before calling for Assistance, 12



Installation

GB

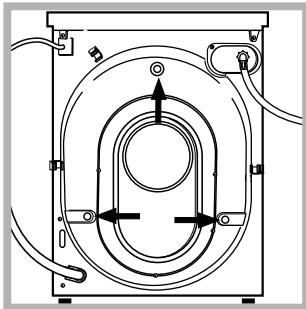
! Keep this instruction manual in a safe place for future reference. Should the appliance be sold, transferred or moved, make sure the instruction manual accompanies the washing machine to inform the new owner as to its operation and features.

! Read these instructions carefully: they contain vital information on installation, use and safety.

Unpacking and levelling

Unpacking

1. Unpack the washing machine.
2. Check whether the washing machine has been damaged during transport. If this is the case, do not install it and contact your retailer.



3. Remove the 3 protective screws and the rubber washer with the respective spacer, situated on the rear of the appliance (see figure).

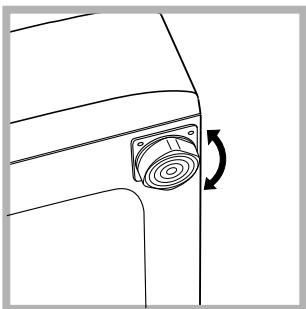
4. Seal the gaps using the plastic plugs provided.

5. Keep all the parts: you will need them again if the washing machine needs to be moved to another location.

! Packaging materials are not children's toys.

Levelling

1. Install the washing machine on a flat sturdy floor, without resting it up against walls, furniture cabinets or other.

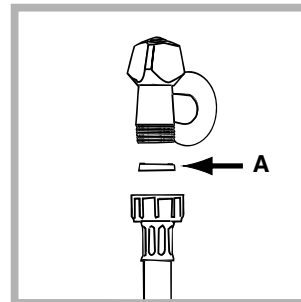


2. If the floor is not perfectly level, compensate for any unevenness by tightening or loosening the adjustable front feet (see figure); the angle of inclination, measured according to the worktop, must not exceed 2°.

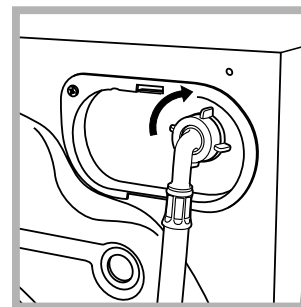
Levelling your appliance correctly will provide it with stability and avoid any vibrations, noise and shifting during operation. If it is placed on a fitted or loose carpet, adjust the feet in such a way as to allow enough room for ventilation beneath the washing machine.

Electric and water connections

Connecting the water inlet hose



1. Insert seal A into the end of the inlet hose and screw the latter onto a cold water tap with a 3/4 gas threaded mouth (see figure). Before making the connection, allow the water to run freely until it is perfectly clear.



2. Connect the other end of the water inlet hose to the washing machine, screwing it onto the appliance's cold water inlet, situated on the top right-hand side on the rear of the appliance (see figure).

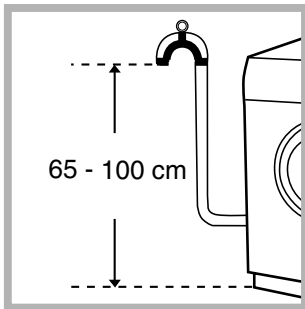
3. Make sure there are no kinks or bends in the hose.

! The water pressure at the tap must be within the values indicated in the Technical details table (on the next page).

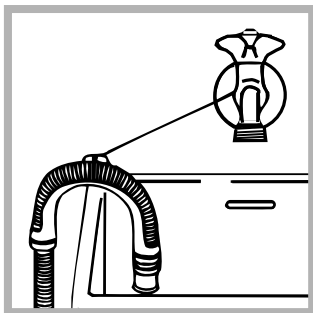
! If the water inlet hose is not long enough, contact a specialist store or an authorised serviceman.

! Never use hoses that have already been used.

Connecting the drain hose



Connect the drain hose, without bending it, to a draining duct or a wall drain situated between 65 and 100 cm from the floor;



alternatively, place it over the edge of a basin, sink or tub, fastening the duct supplied to the tap (see figure). The free end of the hose should not be underwater.

! We advise against the use of hose extensions; in case of absolute need, the extension must have the same diameter as the original hose and must not exceed 150 cm in length.

Electric connection

Before plugging the appliance into the mains socket, make sure that:

- the socket is earthed and in compliance with the applicable law;
- the socket is able to sustain the appliance's maximum power load indicated in the Technical details table (*on the right*);
- the supply voltage is included within the values indicated on the Technical details table (*on the right*);
- the socket is compatible with the washing machine's plug. If this is not the case, replace the socket or the plug.

! The washing machine should not be installed in an outdoor environment, not even when the area is sheltered, because it may be very dangerous to leave it exposed to rain and thunderstorms.

! When the washing machine is installed, the mains socket must be within easy reach.

! Do not use extensions or multiple sockets.

! The power supply cable must never be bent or dangerously compressed.

! The power supply cable must only be replaced by an authorised serviceman.

Warning! The company denies all liability if and when these norms are not respected.

The first wash cycle

Once the appliance has been installed, and before you use it for the first time, run a wash cycle with detergent and no laundry, setting the 90°C programme without a pre-wash cycle.

Technical details

Model WIXL 125

Dimensions 59.5 cm wide
85 cm high
56.5 cm deep

Capacity from 1 to 6 kg

Electric connections Please refer to the technical data plate fixed to the machine

Water connections maximum pressure 1 MPa (10 bar)
minimum pressure 0.05 MPa (0.5 bar)
drum capacity 52 litres

Spin speed up to 1200 rpm

Control programmes according to EN 60456 directive programme 2; temperature 60°C;
run with a load of 6 kg.

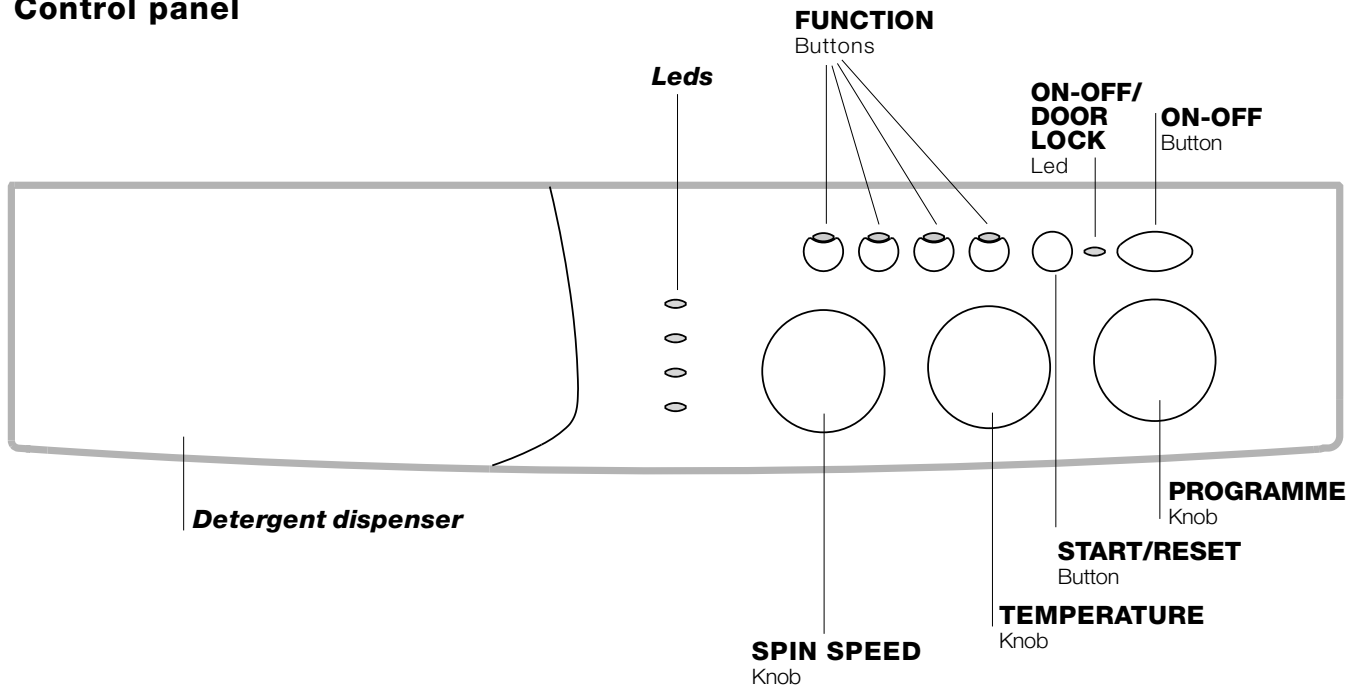


This appliance is compliant with the following European Community Directives:
- 89/336/CEE of 03/05/89 (Electromagnetic Compatibility) and subsequent amendments
- 2006/95/CE (Low Voltage)
- 2002/96/CE

Washing machine description

GB

Control panel



Detergent dispenser: to add detergent and fabric softener (see page 8).

LEDS: to find out which wash cycle phase is under way.

If the Delay Timer function has been set, the time left until the programme starts will be indicated (see page 5).

SPIN SPEED knob: to set the spin speed or exclude the spin cycle completely (see page 7).

FUNCTION buttons: to select the functions available. The button corresponding to the function selected will remain on.

TEMPERATURE knob: to set the temperature or the cold wash cycle (see page 7).

START/RESET button: to start the programmes or cancel any incorrect settings.

ON-OFF/DOOR LOCK Led: to find out whether the washing machine is on and if the appliance door can be opened (see page 5).

ON/OFF button: to turn the washing machine on and off.

PROGRAMME knob: to select the wash programmes. The knob stays still during the cycle.

Leds

The LEDS provide important information. This is what they can tell you:

Delay set:

If the Delay Timer function has been enabled (see *page. 7*), once you have started the programme, the LED corresponding to the delay set will begin to flash:



As time passes, the remaining delay will be displayed, and the corresponding LED will flash:



Once the set delay is complete, the flashing LED will turn off and the programme set will start.

Cycle phase under way:

During the wash cycle, the LEDs gradually illuminate on to indicate the cycle phase under way:



Note: during draining, the LED corresponding to the Spin cycle phase will be turned on.

Function buttons

The FUNCTION BUTTONS also act like LEDS. When a function is selected, the corresponding button is illuminated.

If the function selected is incompatible with the programme set, the button will flash and the function will not be enabled.

If you set a function that is incompatible with another function you selected previously, only the last one selected will be enabled.

ON-OFF/DOOR LOCK led:


If this LED is on, the appliance door is locked to prevent it from being opened accidentally; to avoid any damages, wait for the LED to flash before you open the appliance door.


! The rapid flashing of the ON-OFF/DOOR LOCK Led together with the flashing of at least one other LED indicates there is an abnormality (see *page 11*).

Starting and Programmes




GB

Briefly: starting a programme

1. Switch the washing machine on by pressing button . All the LEDs will light up for a few seconds and the ON-OFF/DOOR LOCK Led will begin to flash.
2. Load your laundry into the washing machine and shut the appliance door.
3. Set the PROGRAMME knob to the programme required.
4. Set the wash temperature (see page 7).
5. Set the spin speed (see page 7).

6. Add the detergent and any fabric softener (see page 8).
7. Start the programme by pressing the START/RESET button.
To cancel it, keep the START/RESET button pressed for at least 2 seconds.
8. When the programme is finished, the ON-OFF/DOOR LOCK Led will flash to indicate that the appliance door can be opened. Take out your laundry and leave the appliance door ajar to allow the drum to dry thoroughly. Turn the washing machine off by pressing button .

Programme table

Type of fabric and degree of soil	Programmes	Temperature	Detergent		Fabric softener	Stain removal option/bleach	Cycle length (minutes)	Description of wash cycle
			pre-wash	wash				
Standard								
Extremely soiled whites (sheets, tablecloths, etc.)	1	90°C	•	•	•		167	Pre-wash, wash cycle, rinse cycles, intermediate and final spin cycles
Extremely soiled whites (sheets, tablecloths, etc.)	2	90°C		•	•	Delicate/Traditional	152	Wash cycle, rinse cycles, intermediate and final spin cycles
Heavily soiled whites and fast colours	2	60°C		•	•	Delicate/Traditional	150	Wash cycle, rinse cycles, intermediate and final spin cycles
Heavily soiled whites and delicate colours	2	40°C		•	•	Delicate/Traditional	142	Wash cycle, rinse cycles, intermediate and final spin cycles
Slightly soiled whites and delicate colours (shirts, jumpers, etc.)	3	40°C		•	•	Delicate/Traditional	99	Wash cycle, rinse cycles, intermediate and final spin cycles
Heavily soiled fast colours (baby linen, etc.)	4	60°C		•	•	Delicate	80	Wash cycle, rinse cycles, anti-crease or delicate spin cycle
Heavily soiled fast colours (baby linen, etc.)	4	40°C		•	•	Delicate	71	Wash cycle, rinse cycles, anti-crease or delicate spin cycle
Delicate colours (all types of slightly soiled garments)	5	40°C		•	•	Delicate	71	Wash cycle, rinse cycles, anti-crease or delicate spin cycle
Wool	6	40°C		•	•		50	Wash cycle, rinse cycles, delicate spin cycle
Very delicate fabrics (curtains, silk, viscose, etc.)	7	30°C		•	•		52	Wash cycle, rinse cycles, anti-crease or draining cycle
Time 4 you								
Heavily soiled whites and fast colours	8	60°C		•	•		60	Wash cycle, rinse cycles, intermediate and final spin cycles
Slightly soiled whites and delicate colours (shirts, jumpers, etc.)	9	40°C		•	•		50	Wash cycle, rinse cycles, intermediate and final spin cycles
Delicate colours (all types of slightly soiled garments)	10	40°C		•	•		40	Wash cycle, rinse cycles, delicate spin cycle
Delicate colours (all types of slightly soiled garments)	11	30°C		•	•		30	Wash cycle, rinse cycles and delicate spin cycle
Sports								
Sports shoes (MAX. 2 pairs)	12	30°C		•	•		50	Cold wash (without detergents), wash cycle, rinse cycles, and delicate spin cycle
Fabrics for sportswear (Tracksuits, shorts, etc.)	13	30°C		•	•		63	Wash cycle, rinse cycles, intermediate and final spin cycles
PARTIAL PROGRAMMES								
Rinse					•	Delicate/Traditional		Rinse cycles and spin cycle
Spin cycle								Draining and spin cycle
Drain								Draining

Notes

- For programmes 8 and 9, we advise against exceeding a wash load of 3.5 kg.
- For programme 13 we advise against exceeding a wash load of 2 kg.
- For the anti-crease function: see Easy iron, *opposite page*. The information contained in the table is purely indicative.

Special programme

Daily (programme 11 for Synthetics) is designed to wash lightly soiled garments in a short amount of time: it only lasts 30 minutes and allows you to save on both time and energy. By setting this programme (11 at 30°C), you can wash different fabrics together (except for woollen and silk items), with a maximum load of 3 kg. We recommend the use of liquid detergent.

Setting the temperature

Turn the TEMPERATURE knob to set the wash temperature (see Programme table on page 6).
The temperature can be lowered, or even set to a cold wash (❄).

Setting the spin speed

Turn the SPIN SPEED knob to set the spin speed for the programme selected.
The maximum spin speeds for each programme are as follows:

Programmes	Maximum spin speed
Cotton	1200 rpm
Synthetics	800 rpm
Wool	600 rpm
Silk	no

The spin speed can be lowered, or the spin cycle can be excluded altogether by selecting symbol .
The washing machine will automatically prevent you from selecting a spin speed higher than the maximum speed for each programme.

Note. To avoid excessive vibrations, before every spin cycle the machine distributes the load in a uniform manner by continuously rotating the drum at a speed which is slightly faster than the normal washing speed.

When, despite repeated attempts, the load is still not evenly distributed, the machine spins at a lower speed than the set frequency.

If the load is excessively unbalanced, the machine attempts to distribute it instead of spinning.

The balancing attempts may extend the total duration of the cycle, up to a maximum of 10 minutes.

Functions

To enable a function:

1. press the button corresponding to the desired function, according to the table below;
2. the function is enabled when the corresponding button is illuminated.

Note: The rapid flashing of the button indicates that the corresponding function cannot be selected for the programme set.

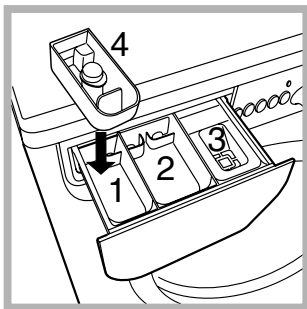
Function	Effect	Comments	Enabled with programmes:
 Delay Timer	Delays the start of the wash by up to 9 hours.	Press the button repeatedly until the LED corresponding to the desired delay is turned on. The fifth time the button is pressed, the function will be disabled. N.B.: Once you have pressed the Start/Reset button, the delay can only be decreased if you wish to modify it.	All
 Stain removal	Bleaching cycle designed to remove the toughest stains.	Please remember to pour the bleach into extra compartment 4 (see page 8). This function is incompatible with the EASY IRON function.	2, 3, 4, 5, Rinse cycle.
 Easy iron	This option reduces the amount of creasing on fabrics, making them easier to iron.	When this function is set, programmes 4, 5, 7 will end with the laundry left to soak (Anti-crease) and the Rinse cycle phase LED will flash. - to conclude the cycle, press the START/RESET button; - to run the draining cycle alone, set the knob to the relative symbol and press the START/RESET button. This function is incompatible with the STAIN REMOVAL function.	3, 4, 5, 7, 8, 9, 10, Rinse cycle.
 Extra Rinse	Increases the efficiency of the rinse.	Recommended when the appliance has a full load or with large quantities of detergent.	1, 2, 3, 4, 5, 8, 9, 10, 12, 13, Rinse cycle.

Detergents and laundry

GB

Detergent dispenser

Good washing results also depend on the correct dose of detergent: adding too much detergent won't necessarily make for a more efficient wash, and may in fact cause build up on the interior of your appliance and even pollute the environment.



Open up the detergent dispenser and pour in the detergent and fabric softener, as follows.

compartment 1: Detergent for pre-wash (powder)

Before pouring in the detergent, make sure that extra compartment 4 has been removed.

compartment 2: Detergent for the wash cycle (powder or liquid)

Liquid detergent should only be poured in immediately prior to the wash cycle start.

compartment 3: Additives (fabric softeners, etc.)

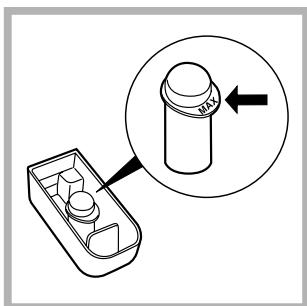
The fabric softener should not overflow from the grid.

extra compartment 4: Bleach



! Do not use hand wash detergent because it may form too much foam.

Bleach cycle

! **Traditional** bleach should be used on sturdy white fabrics, and **delicate** bleach for coloured fabrics, synthetics and for wool.



Place extra compartment 4, provided, into compartment 1. When pouring in the bleach, be careful not to exceed the "max" level indicated on the central pivot (see figure).

To run the bleach cycle alone, pour the bleach into extra compartment 4 and set the Rinse programme  and Extra rinse function . To bleach during a wash cycle, pour in the detergent and fabric softener, set the desired programme and enable the Stain removal option (see page 7).

The use of extra compartment 4 excludes the possibility of using the pre-wash cycle. In addition, the bleach cycle cannot be run with programmes 7 (Silk) and Daily (see page 6).

Preparing your laundry

- Divide your laundry according to:
 - the type of fabric/the symbol on the label.
 - the colours: separate coloured garments from whites.
- Empty all pockets and check for loose buttons.
- Do not exceed the weight limits stated below, which refer to the weight when dry:
 - Sturdy fabrics: max 6 kg
 - Synthetic fabrics: max 2.5 kg
 - Delicate fabrics: max 2 kg
 - Wool: max 1,5 kg

How much does your laundry weigh?

- 1 sheet 400-500 g
- 1 pillow case 150-200 g
- 1 tablecloth 400-500 g
- 1 bathrobe 900-1,200 g
- 1 towel 150-250 g

Special items

Curtains: fold curtains and place them in a pillow case or mesh bag. Wash them separately without exceeding half the appliance load. Use programme 7 which excludes the spin cycle automatically.

Quilted coats and windbreakers: if they are padded with goose or duck down, they can be machine-washed. Turn the garments inside out and load a maximum of 2-3 kg, repeating the rinse cycle once or twice and using the delicate spin cycle.

Wool: for best results, use a specific detergent, taking care not to exceed a load of 1,5 kg.

! The washing machine was designed and built in compliance with the applicable international safety regulations. The following information is provided for your safety and should consequently be read carefully.

General safety

- This appliance has been designed for non-professional, household use and its functions must not be changed.
- This washing machine should only be used by adults and in accordance with the instructions provided in this manual.
- Never touch the washing machine when barefoot or with wet or damp hands or feet.
- Do not pull on the power supply cable to unplug the appliance from the electricity socket. Pull the plug out yourself.
- Do not open the detergent dispenser while the appliance is in operation.
- Do not touch the drain water as it could reach very high temperatures.
- Never force the washing machine door: this could damage the safety lock mechanism designed to prevent any accidental openings.
- In the event of a malfunction, do not under any circumstances touch internal parts in order to attempt repairs.
- Always keep children well away from the appliance while in operation.
- The appliance door tends to get quite hot during the wash cycle.
- Should it have to be moved, proceed with the help of two or three people and handle it with the utmost care. Never try to do this alone, because the appliance is very heavy.
- Before loading your laundry into the washing machine, make sure the drum is empty.

Disposal

• Disposal of old electrical appliances
The European Directive 2002/96/EC on Waste Electrical and Electronic Equipment (WEEE), requires that old household electrical appliances must not be disposed of in the normal unsorted municipal waste stream. Old appliances must be collected separately in order to optimise the recovery and recycling of the materials they contain and reduce the impact on human health and the environment.

The crossed out "wheeled bin" symbol on the product reminds you of your obligation, that when you dispose of the appliance it must be separately collected.

Consumers should contact their local authority or retailer for information concerning the correct disposal of their old appliance.

- Disposing of an old washing machine: before scrapping your appliance, cut the power supply cable and remove the appliance door.

Saving energy and respecting the environment

Environmentally-friendly technology

If you only see a little water through your appliance door, this is because thanks to the latest technology, your washing machine only needs less than half the amount of water to get the best results: an objective reached to respect the environment.

Saving on detergent, water, energy and time

- To avoid wasting resources, the washing machine should be used with a full load. A full load instead of two half loads allows you to save up to 50% on energy.
- The pre-wash cycle is only necessary on extremely soiled garments. Avoiding it will save on detergent, time, water and between 5 and 15% energy.
- Treating stains with a stain remover or leaving them to soak before washing will cut down the need to wash them at high temperatures. A programme at 60°C instead of 90°C or one at 40°C instead of 60°C will save up to 50% on energy.
- Use the correct quantity of detergent depending on the water hardness, how soiled the garments are and the amount of laundry you have, to avoid wastage and to protect the environment: despite being biodegradable, detergents do contain ingredients that alter the natural balance of the environment. In addition, avoid using fabric softener as much as possible.
- If you use your washing machine from late in the afternoon until the early hours of the morning, you will help reduce the electricity board's peak load. The Delay Timer option (see page 7) helps to organise your wash cycles accordingly.
- If your laundry has to be dried in a tumble dryer, select a high spin speed. Having the least water possible in your laundry will save you time and energy in the drying process.

Care and maintenance

GB

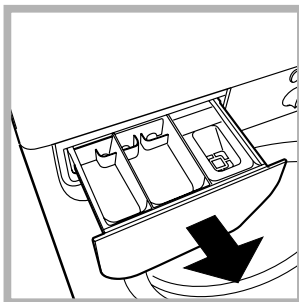
Cutting off the water or electricity supply

- Turn off the water tap after every wash. This will limit the wear of your appliance's water system and also prevent leaks.
- Unplug your appliance when cleaning it and during all maintenance operations.

Cleaning your appliance

The exterior and rubber parts of your appliance can be cleaned with a soft cloth soaked in lukewarm soapy water. Do not use solvents or abrasives.

Cleaning the detergent dispenser



Remove the dispenser by pulling it out (see figure). Wash it under running water; this operation should be repeated frequently.

Caring for your appliance door and drum

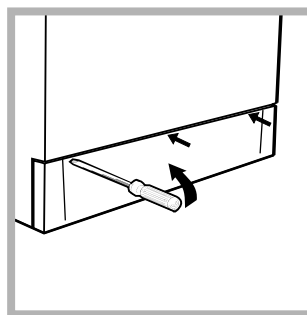
- Always leave the appliance door ajar to prevent unpleasant odours from forming.

Cleaning the pump

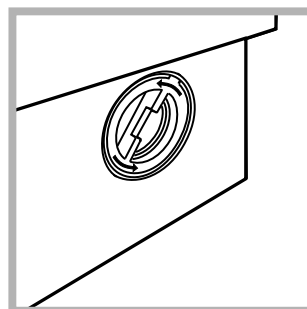
The washing machine is fitted with a self-cleaning pump that does not require any maintenance. Sometimes, small items (such as coins or buttons) may fall into the pre-chamber that protects the pump, situated in the lower part of the same.

! Make sure the wash cycle has ended and unplug the appliance.

To access the pre-chamber:



1. using a screwdriver, remove the cover panel on the lower front of the washing machine (see figure);



2. unscrew the lid rotating it anti-clockwise (see figure): a little water may trickle out. This is perfectly normal;

3. clean the interior thoroughly;
4. screw the lid back on;
5. reposition the panel, making sure the hooks are securely in place before you push it onto the appliance.

Checking the water inlet hose

Check the water inlet hose at least once a year. If you see any cracks, replace it immediately: during the wash cycles, water pressure is very strong and a cracked hose could easily split open.

! Never use hoses that have already been used.

Your washing machine could fail to work. Before calling for Assistance (see page 12), make sure the problem can't easily be solved by consulting the following list.

GB

Problem

Possible causes/Solution:

The washing machine won't start.

- The appliance is not plugged into the socket, or not enough to make contact.
- There has been a power failure.

The wash cycle won't start.

- The appliance door is not shut properly.
- The (⏸) button has not been pressed.
- The START/RESET button has not been pressed.
- The water tap is not turned on.
- A delayed start has been set (using the Delay Timer, see page 7).

The washing machine fails to load water.

- The water inlet hose is not connected to the tap.
- The hose is bent.
- The water tap is not turned on.
- There is a water shortage.
- The water pressure is insufficient.
- The START/RESET button has not been pressed.

The washing machine continuously loads and unloads water.

- The drain hose is not fitted between 65 and 100 cm from the floor (see page 3).
- The free end of the hose is underwater (see page 3).
- The wall drainage system doesn't have a breather pipe.

If the problem persists even after these checks, turn off the water tap, switch the appliance off and call for Assistance. If the dwelling is on one of the upper floors of a building, there may be drain trap problems causing the washing machine to load and unload water continuously. In order to avoid such an inconvenience, special anti-drain trap valves are available in shops.

The washing machine does not drain or spin.

- The programme does not foresee the draining: some programmes require enabling the draining manually (see page 6).
- The Easy iron option is enabled: to complete the programme, press the START/RESET button (see page 7).
- The drain hose is bent (see page 3).
- The drain duct is clogged.

The washing machine vibrates too much during the spin cycle.

- The drum was not unblocked correctly during installation (see page 2).
- The washing machine is not level (see page 2).
- The washing machine is closed in between furniture cabinets and the wall (see page 2).

The washing machine leaks.

- The water inlet hose is not screwed on correctly (see page 2).
- The detergent dispenser is obstructed (to clean it, see page 10).
- The drain hose is not secured properly (see page 3).

The ON-OFF/DOOR LOCK Led flashes rapidly at the same time as at least one other LED.

- Switch off the machine and unplug the appliance; wait for approximately 1 minute then switch it on again. If the problem persists, contact Assistance.

There is too much foam.

- The detergent is not suitable for machine washing (it should bear the definition "for washing machines" or "hand and machine wash", or the like).
- You used too much detergent.

Service

GB

Before calling for Assistance:

- Check whether you can solve the problem on your own (*see page 11*);
- Restart the programme to check whether the problem has been solved;
- If this is not the case, contact an authorised Technical Service Centre on the telephone number provided on the guarantee certificate.

! Always request the assistance of authorised servicemen.

Notify the operator of:

- the type of problem;
- the appliance model (Mod.);
- the serial number (S/N).

This information can be found on the data plate situated on the rear of the washing machine.

ES**Español****WIXL 125**

Sumario

Instalación, 14-15

Desembalaje y nivelación, 14
Conexiones hidráulicas y eléctricas, 14-15
Primer ciclo de lavado, 15
Datos técnicos, 15

Descripción de la lavadora, 16-17

Panel de control, 16
Luces testigo, 17

Puesta en marcha y Programas, 18

En la práctica: poner en marcha un programa, 18
Tabla de programas, 18

Personalizaciones, 19

Seleccione la temperatura, 19
Seleccionar el centrifugado, 19
Funciones, 19

Detergentes y ropa, 20

Cajón de detergentes, 20
Ciclo de blanqueo, 20
Preparar la ropa, 20
Prendas especiales, 20

Precauciones y consejos, 21

Seguridad general, 21
Eliminaciones, 21
Ahorrar y respetar el ambiente, 21

Mantenimiento y cuidados, 22

Excluir el agua y la corriente eléctrica, 22
Limpiar la lavadora, 22
Limpiar el contenedor de detergentes, 22
Cuidar la puerta y el cesto, 22
Limpiar la bomba, 22
Controlar el tubo de alimentación de agua, 22

Anomalías y soluciones, 23

Asistencia, 24

Antes de llamar a la Asistencia Técnica, 24

Instalación

ES

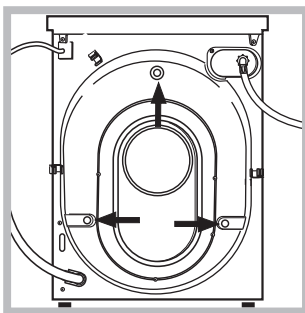
! Es importante conservar este manual para poder consultarlo en cualquier momento. En caso de venta, de cesión o de traslado, verifique que permanezca junto con la lavadora para informar al nuevo propietario sobre el funcionamiento y brindar las correspondientes advertencias.

! Lea atentamente las instrucciones: ellas contienen importante información sobre la instalación, el uso y la seguridad.

Desembalaje y nivelación

Desembalaje

1. Desembale la lavadora.
2. Controle que la lavadora no haya sufrido daños durante el transporte. Si estuviera dañada no la conecte y llame al revendedor.



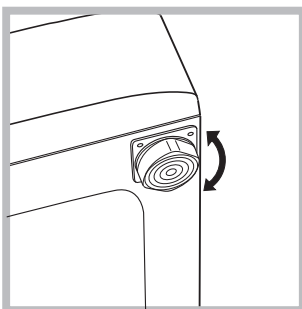
3. Quite los 3 tornillos de protección para el transporte y la arandela de goma con el correspondiente distanciador, ubicados en la parte posterior (ver la figura).

4. Cierre los orificios con los tapones de plástico suministrados con el aparato.
5. Conserve todas las piezas: cuando la lavadora deba ser transportada nuevamente, deberán volver a colocarse.

! Los embalajes no son juguetes para los niños.

Nivelación

1. Instale la lavadora sobre un piso plano y rígido, sin apoyarla en las paredes, muebles ni en ningún otro aparato.

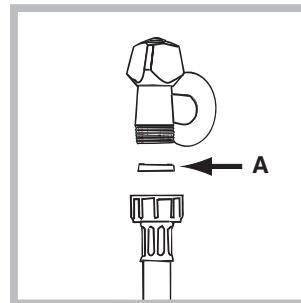


2. Si el piso no está perfectamente horizontal, compense las irregularidades desenroscando o enroscando los pies delanteros (véase la figura); el ángulo de inclinación medido sobre la superficie de trabajo, no debe superar los 2°.

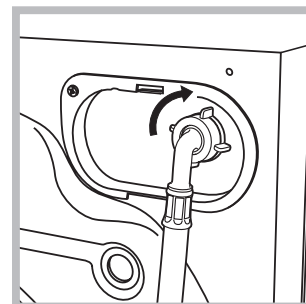
Una cuidadosa nivelación brinda estabilidad a la máquina y evita vibraciones, ruidos y desplazamientos durante el funcionamiento. Cuando se instala sobre moquetas o alfombras, regule los pies para conservar debajo de la lavadora un espacio suficiente para la ventilación.

Conexiones hidráulicas y eléctricas

Conexión del tubo de alimentación de agua



1. Introduzca la junta A en el extremo del tubo de alimentación y enrósquelo a un grifo de agua fría con boca roscada de 3/4 gas (véase la figura). Antes de conectarlo, haga correr el agua hasta que salga limpia.



2. Conecte el tubo de alimentación a la lavadora enroscándolo en la toma de agua correspondiente ubicada en la parte posterior arriba y a la derecha (véase la figura).

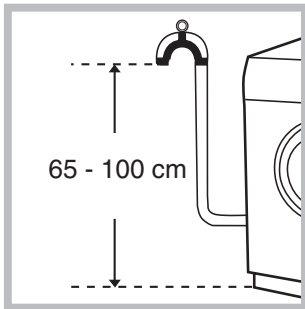
3. Verifique que el tubo no tenga pliegues ni estrangulaciones.

! La presión de agua del grifo debe estar comprendida dentro de los valores contenidos en la tabla de Datos técnicos (ver la página del costado).

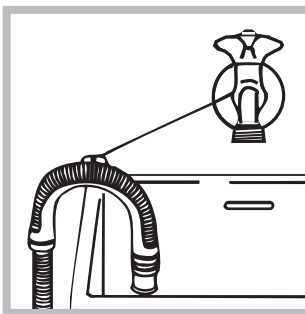
! Si la longitud del tubo de alimentación no fuera suficiente, diríjase a una tienda especializada o a un técnico autorizado.

! No utilice nunca tubos ya usados.

Conexión del tubo de descarga



Conecte el tubo de descarga, sin plegarlo, a un desagüe de pared ubicado a una distancia del piso comprendida entre 65 y 100 cm;



o apóyelo al borde de un lavabo o de una bañera, uniendo la guía suministrada con el aparato, al grifo (véase la figura). El extremo libre del tubo de descarga no debe permanecer sumergido en el agua.

! No se aconseja utilizar tubos de prolongación, de todos modos, si es indispensable, la prolongación debe tener el mismo diámetro del tubo original y no superar los 150 cm.

Conexión eléctrica

Antes de enchufar el aparato, verifique que:

- la toma tenga la conexión a tierra y haya sido hecha según las normas legales;
- la toma sea capaz de soportar la carga máxima de potencia de la máquina indicada en la tabla de Datos técnicos (ver al costado);
- la tensión de alimentación esté comprendida dentro de los valores indicados en la tabla de Datos técnicos (ver al costado);
- la toma sea compatible con el enchufe de la lavadora. Si no es así, sustituya la toma o el enchufe.

! La lavadora no debe ser instalada al aire libre, ni siquiera si el lugar está preparado, ya que es muy peligroso dejarla expuesta a la lluvia o a las tormentas.

! Una vez instalada la lavadora, la toma de corriente debe ser fácilmente accesible.

! No utilice alargadores ni conexiones múltiples.

! El cable no debe estar plegado ni sufrir compresiones.

! El cable de alimentación debe ser sustituido sólo por técnicos autorizados.

¡Atención! La empresa fabricante declina toda responsabilidad en caso de que estas normas no sean respetadas.

Primer ciclo de lavado

Después de la instalación y antes del uso, realice un ciclo de lavado con detergente y sin ropa, seleccionando el programa a 90°C sin prelavado.

Datos técnicos

Modelo	WIXL 125
Dimensiones	ancho 59,5 cm. altura 85 cm. profundidad 56,5 cm.
Capacidad	de 1 a 6 kg.
Conexiones eléctricas	Ver la placa de características técnicas aplicada en la máquina
Conexiones hídricas	presión máxima 1 MPa (10 bar) presión mínima 0,05 MPa (0,5 bar) capacidad del cesto 52 litros
Velocidad de centrifugado	máxima 1200 r.p.m.
Programas de control según la norma EN 60456	programa 2; temperatura 60°C; efectuado con 6 kg. de carga.



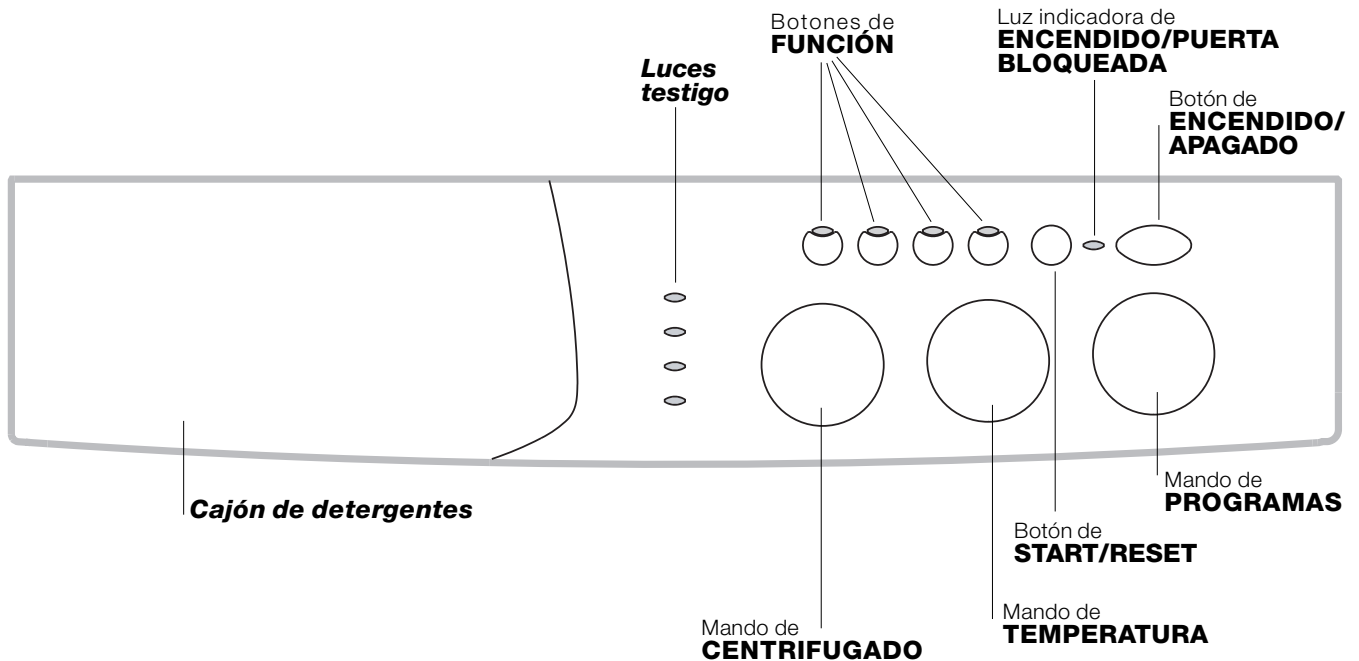
Esta máquina cumple con lo establecido por las siguientes Directivas de la Comunidad:

- 89/336/CEE del 03/05/89 (Compatibilidad Electromagnética) y sucesivas modificaciones
- 2006/95/CE (Baja Tensión)
- 2002/96/CE

Descripción de la lavadora

ES

Panel de control



Cajón de detergentes: para cargar detergentes y aditivos (véase la *pág. 20*).

Luces testigo: para seguir el estado de avance del programa de lavado. Si se seleccionó la función Delay Timer, indicarán el tiempo que falta para la puesta en marcha del programa (ver la *pág. 17*).

Mando de **CENTRIFUGADO:** para seleccionar el centrifugado o excluirlo (ver la *pág. 19*).

Botones de **FUNCIÓN:** para seleccionar las funciones disponibles. El botón correspondiente a la función seleccionada permanecerá encendido.

Mando de **TEMPERATURA:** para seleccionar la temperatura o el lavado en frío (ver la *pág. 19*).

Botón de **START/RESET:** para poner en marcha los programas o anular las selecciones incorrectas.

Luz indicadora de **ENCENDIDO/PUERTA BLOQUEADA:** para saber si la lavadora está encendida y si la puerta se puede abrir (ver la *pág. 17*).

Botón de **ENCENDIDO/APAGADO:** para encender y apagar la lavadora.

Mando de **PROGRAMAS:** para elegir los programas. Durante el programa el mando no se mueve.

Luces testigo

Las luces testigo suministran información importante. He aquí lo que nos dicen:

Retraso seleccionado:

Si fue activada la función Delay Timer (*ver la pág. 19*), después de haber puesto en marcha el programa, comenzará a centellear la luz testigo correspondiente al retraso fijado:



Con el transcurrir del tiempo se visualizará el retraso residual y el centelleo de la luz testigo correspondiente:



Una vez transcurrido el tiempo de retraso fijado, la luz testigo centelleante se apagará y comenzará el programa seleccionado.

Fase en curso:

Durante el ciclo de lavado, las luces testigo se encenderán progresivamente para indicar su estado de avance.



Nota: durante la fase de descarga se iluminará la luz testigo correspondiente a la fase de Centrifugado.

Botones de FUNCIÓN

Los BOTONES DE FUNCIÓN también actúan como luces testigo.

Al seleccionar una función, el botón correspondiente se iluminará.

Si la función seleccionada no es compatible con el programa elegido, el botón centelleará y la función no se activará.

Cuando se seleccione una función incompatible con otra seleccionada precedentemente, permanecerá activa sólo la última selección realizada.

Luz indicadora de ENCENDIDO/PUERTA BLOQUEADA:


La luz testigo encendida indica que la puerta está bloqueada para impedir aperturas accidentales; para evitar daños es necesario esperar que la luz testigo centellee antes de abrir la puerta.

! El centelleo rápido de la luz indicadora de ENCENDIDO/PUERTA BLOQUEADA simultáneamente con, al menos, el de otra luz testigo, indica una anomalía (*ver la pág. 23*).

Puesta en marcha y Programas

ES

En la práctica: poner en marcha un programa

1. Encienda la lavadora pulsando el botón . Todas las luces testigo se encenderán durante algunos segundos, luego se apagarán y la luz indicadora de ENCENDIDO/PUERTA BLOQUEADA comenzará a centellear.
2. Cargue la ropa y cierre la puerta.
3. Seleccione el programa deseado con el mando de PROGRAMAS.





4. Fije la temperatura de lavado (*ver la pág. 19*).
5. Fije la velocidad de centrifugado (*ver la pág. 19*).
6. Vierta el detergente y los aditivos (*véase la pág. 20*).
7. Ponga en marcha el programa pulsando el botón START/RESET.
Para anular, mantenga presionado el botón START/RESET durante 2 segundos como mínimo.
8. Al finalizar el programa, la luz indicadora de ENCENDIDO/PUERTA BLOQUEADA centelleará indicando que la puerta se puede abrir. Extraiga la ropa y deje la puerta semicerrada para permitir que el cesto se seque. Apague la lavadora pulsando el botón .

Tabla de programas

Tipos de tejidos y de suciedad	Programas	Temperatura	Detergente		Suavizante	Opción Antimancha / Blanqueador	Duración del ciclo (minutos)	Descripción del ciclo de lavado
			prelav.	lavado				
Estándar								
Blancos sumamente sucios (sábanas, manteles, etc.)	1	90°C	•	•	•		167	Prelavado, lavado, aclarados, centrifugas intermedias y final
Blancos sumamente sucios (sábanas, manteles, etc.)	2	90°C		•	•	Delicado / Tradicional	152	Lavado, aclarados, centrifugas intermedias y final
Blancos y coloreados resistentes muy sucios	2	60°C		•	•	Delicado / Tradicional	150	Lavado, aclarados, centrifugas intermedias y final
Blancos y coloreados delicados muy sucios	2	40°C		•	•	Delicado / Tradicional	142	Lavado, aclarados, centrifugas intermedias y final
Blancos poco sucios y colores delicados (camisas, camisetas, etc.)	3	40°C		•	•	Delicado / Tradicional	99	Lavado, aclarados, centrifugas intermedias y final
Colores resistentes muy sucios (ropa para recién nacidos, etc.)	4	60°C		•	•	Delicado	80	Lavado, aclarados, antiarrugas o centrifuga delicada
Colores resistentes muy sucios (ropa para recién nacidos, etc.)	4	40°C		•	•	Delicado	71	Lavado, aclarados, antiarrugas o centrifuga delicada
Colores delicados (ropa de todo tipo ligeramente sucia)	5	40°C		•	•	Delicado	71	Lavado, aclarados, antiarrugas o centrifug. delicada
Lana	6	40°C		•	•		50	Lavado, aclarados, centrifugación delicada
Tejidos muy delicados (cortinas, seda, viscosa, etc.)	7	30°C		•	•		52	Lavado, aclarados, antiarrugas o desague
Time 4 you								
Blancos y coloreados resistentes muy sucios	8	60°C		•	•		60	Lavado, aclarados, centrifugas intermedias y final
Blancos poco sucios y colores delicados (camisas, camisetas, etc.)	9	40°C		•	•		50	Lavado, aclarados, centrifugas intermedias y final
Colores delicados (ropa de todo tipo ligeramente sucia)	10	40°C		•	•		40	Lavado, aclarados y centrifuga delicada
Colores delicados (ropa de todo tipo ligeramente sucia)	11	30°C		•	•		30	Lavado, aclarados y centrifuga delicada
Sport								
Calzado deportivo (MAX. 2 pares.)	12	30°C		•	•		50	Lavado en frío (sin detergente), lavado, aclarados y centrifugación delicada
Tejidos para ropa deportiva (chandal, pantalón corto, etc.)	13	30°C		•	•		63	Lavado, aclarados, centrifugas intermedias y final
PROGRAMAS PARCIALES								
Aclarado					•	Delicado / Tradicional		Aclarados y centrifugación
Centrifugación								Desague y centrifugación
Desague								Desague

Notas

- En los programas 8 - 9 es aconsejable no superar una carga de ropa de 3,5 kg.
- En el programa 13 se aconseja no superar una carga de ropa de 2 kg.
- Para la descripción del antiarrugas: consulte Plancha fácil, página siguiente. Los datos contenidos en la tabla tienen un valor indicativo.

Programa especial

Diario 30' (programa 11 para Sintéticos) fue estudiado para lavar prendas ligeramente sucias y en poco tiempo: dura sólo 30 minutos y de esa manera hace ahorrar energía y tiempo. Seleccionando el programa (11 a 30°C) es posible lavar conjuntamente tejidos de distinto tipo (excluidas lana y seda), con una carga máxima de 3 kg. *Se aconseja el uso de detergente líquido.*

Seleccione la temperatura

Girando el mando de la TEMPERATURA se selecciona la temperatura de lavado (ver la Tabla de programas en la *pág. 18*). La temperatura se puede disminuir hasta el lavado en frío (❄).

Seleccionar el centrifugado

Girando el mando de CENTRIFUGADO se selecciona la velocidad de centrifugado del programa seleccionado. Las velocidades máximas previstas para los programas son:

Programa	Velocidad máxima
Algodón	1200 r.p.m.
Sintéticos	800 r.p.m.
Lana	600 r.p.m.
Seda	no

Se puede disminuir la velocidad de centrifugado o excluirlo seleccionando el símbolo .

La máquina impedirá automáticamente efectuar un centrifugado a una velocidad mayor que la máxima prevista para cada programa.

Nota. Para evitar vibraciones excesivas, antes de cada centrifugado, la máquina distribuye la carga de modo uniforme, esto se produce efectuando rotaciones continuas del cesto a una velocidad ligeramente superior a la del lavado. Aún cuando después de repetidos intentos, la carga no se distribuye perfectamente, la máquina realiza el centrifugado a una velocidad inferior a la prevista.

Cuando existe un excesivo desequilibrado, la máquina efectúa la distribución en lugar del centrifugado.

Los intentos de equilibrado pueden aumentar la duración total del ciclo hasta un máximo de 10 minutos.

Funciones

Las distintas funciones de lavado previstas por la lavadora permiten obtener la limpieza y el blanco deseados. Para activar las funciones:

1. pulse el botón correspondiente a la función deseada de acuerdo con la tabla que se encuentra debajo;
2. el encendido del botón correspondiente indica que la función está activa.

Nota: El centelleo rápido del botón indica que la función correspondiente no se puede seleccionar para el programa elegido.

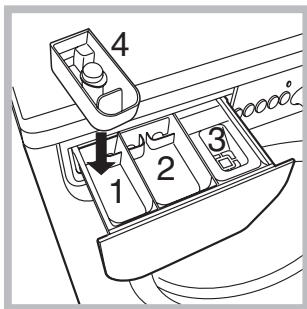
Funciones	Efecto	Notas para el uso	Activa con los programas:
 Delay timer	Retrasa la puesta en marcha de la máquina hasta 9 horas.	Pulse varias veces el botón hasta encender la luz testigo correspondiente al retraso deseado. La quinta vez que se presione el botón, la función se desactivará. Nota: Una vez pulsado el botón Start/Reset, se puede modificar el valor del retraso sólo disminuyéndolo.	Todos
 Antimancha	Ciclo de blanqueo adecuado para eliminar las manchas más resistentes.	Recuerde verter el blanqueador en la cubeta adicional 4 (<i>ver la pág.44</i>). No es compatible con la función PLANCHA FÁCIL.	2, 3, 4, 5, Aclarado.
 Plancha fácil	Reduce las arrugas en los tejidos, facilitando el planchado.	Seleccionando esta función, los programas 4, 5, 7 se interrumpirán con la ropa en remojo (Antiarrugas) y la luz indicadora de la fase de Aclarado centelleará: - para completar el ciclo pulse el botón START/RESET; - para efectuar sólo la descarga coloque la perilla en el símbolo correspondiente y pulse el botón START/RESET. No es compatible con la función ANTIMANCHA.	3, 4, 5, 7, 8, 9, 10, Aclarado.
 Aclarado Extra	Aumenta la eficacia del aclarado.	Es aconsejable con la lavadora a plena carga o con dosis elevadas de detergente.	1, 2, 3, 4, 5, 8, 9, 10, 12, 13 Aclarado.

Detergentes y ropa

ES

Cajón de detergentes

El buen resultado del lavado depende también de la correcta dosificación del detergente: si se excede la cantidad, no se lava de manera más eficaz, sino que se contribuye a encostrar las partes internas de la lavadora y a contaminar el ambiente.



Extraiga el cajón de detergentes e introduzca el detergente o el aditivo de la siguiente manera:

cubeta 1: Detergente para prelavado (en polvo)

Antes de verter el detergente, verifique que no esté colocada la cubeta adicional 4.

cubeta 2: Detergente para lavado (en polvo o líquido)

El detergente líquido se debe verter sólo antes de la puesta en marcha.

cubeta 3: Aditivos (suavizante, etc.)

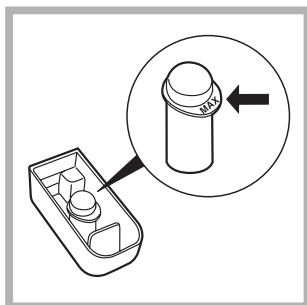
El suavizante no se debe volcar fuera de la rejilla.

cubeta adicional 4: Blanqueador

! No use detergentes para el lavado a mano ya que producen demasiada espuma.

Ciclo de blanqueo

! El blanqueador **tradicional** debe utilizarse para los tejidos resistentes blancos, mientras que el **delicado** debe utilizarse para la lana y los tejidos coloreados y sintéticos.



Introduzca la cubeta adicional 4 suministrada con el aparato, en la cubeta 1.

Al verter el blanqueador no debe superar el nivel "máx." indicado en el perno central (véase la figura).

Para realizar sólo el blanqueo, vierta el blanqueador en la cubeta adicional 4 y seleccione el programa

Aclarado y la función Aclarado Extra

Para blanquear durante el lavado, vierta el detergente y los aditivos, seleccione el programa deseado y active la función Antimancha (ver la pág. 19).

El uso de la cubeta adicional 4 excluye el prelavado. Además no se puede efectuar el blanqueo con los programas 7 (Seda) y Diario 30' (ver la pág.18).

Preparar la ropa

- Subdivida la ropa según:
 - el tipo de tejido / el símbolo en la etiqueta.
 - los colores: separe las prendas de color y las blancas.
- Vacíe los bolsillos y controle los botones.
- No supere los valores indicados, referidos al peso de la ropa seca:
 - Tejidos resistentes: max 6 kg.
 - Tejidos sintéticos: max 2,5 kg.
 - Tejidos delicados: max 2 kg.
 - Lana: max 1,5 kg.

¿Cuánto pesa la ropa?

- 1 sábana 400/500 g
- 1 funda 150/200 g
- 1 mantel 400/500 g
- 1 albornoz 900/1.200 g
- 1 toalla 150/250 g

Prendas especiales

Cortinas: pliéguelas y colóquelas dentro de una funda o de una bolsa de red. Lávelas solas sin superar la media carga. Utilice el programa 7 que excluye automáticamente el centrifugado.

Cazadoras acolchadas con plumas y anoraks: si el relleno es de pluma de ganso o de pato, se pueden lavar en la lavadora. Poner las prendas del revés y realizar una carga máxima de 2-3 kg. repitiendo el enjuague una o dos veces y utilizando el centrifugado delicado.

Lana: para obtener los mejores resultados, utilice un detergente específico y no supere 1,5 kg. de carga.

! La lavadora fue proyectada y fabricada en conformidad con las normas internacionales de seguridad. Estas advertencias se suministran por razones de seguridad y deben ser leídas atentamente.

Seguridad general

- Este aparato fue fabricado para uso doméstico.
- La lavadora debe ser utilizada sólo por personas adultas y siguiendo las instrucciones contenidas en este manual.
- No toque la máquina con los pies desnudos ni con las manos o los pies mojados o húmedos.
- No desenchufe la máquina tirando del cable, sino tomando el enchufe.
- No abra el contenedor de detergentes mientras la máquina está en funcionamiento.
- No toque el agua de desagüe ya que puede alcanzar temperaturas elevadas.
- En ningún caso fuerce la puerta: podría dañarse el mecanismo de seguridad que la protege de aperturas accidentales.
- En caso de avería, no acceda nunca a los mecanismos internos para intentar una reparación.
- Controle siempre que los niños no se acerquen a la máquina cuando está en funcionamiento.
- Durante el lavado, la puerta tiende a calentarse.
- Si debe ser trasladada, deberán intervenir dos o más personas, procediendo con el máximo cuidado. La máquina no debe ser desplazada nunca por una persona sola ya que es muy pesada.
- Antes de introducir la ropa controle que el cesto esté vacío.

Eliminaciones

• Eliminación del electrodoméstico viejo
En base a la Norma europea 2002/96/CE de Residuos de aparatos Eléctricos y Electrónicos (RAEE), los electrodomésticos viejos no pueden ser arrojados en los contenedores municipales habituales; tienen que ser recogidos selectivamente para optimizar la recuperación y reciclado de los componentes y materiales que los constituyen, y reducir el impacto en

la salud humana y el medioambiente. El símbolo del cubo de basura tachado se marca sobre todos los productos para recordar al consumidor la obligación de separarlos para la recogida selectiva.

El consumidor debe contactar con la autoridad local o con el vendedor para informarse en relación a la correcta eliminación de su electrodoméstico viejo

- Eliminación de la vieja lavadora:
antes de desguazarla, inutilícela cortando el cable de alimentación eléctrica y quitando la puerta.

Ahorrar y respetar el medio ambiente

Tecnología a servicio del medio ambiente

Si en la puerta se ve poca agua es porque con la nueva tecnología Indesit basta menos de la mitad del agua para alcanzar la mayor limpieza: un objetivo alcanzado para respetar el medio ambiente.

Ahorrar detergente, agua, energía y tiempo

- Para no derrochar recursos es necesario utilizar la lavadora con la máxima carga. Una carga completa en lugar de dos medias cargas permite ahorrar hasta el 50% de energía.
- El prelavado es necesario sólo para ropa muy sucia. Evitarlo permite ahorrar detergente, tiempo, agua y entre el 5 y el 15% de energía.
- Tratar las manchas con un quitamanchas o dejarlas en remojo antes del lavado, disminuye la necesidad de lavar a altas temperaturas. Un programa a 60°C en vez de 90°C o uno a 40°C en vez de 60°C, permite ahorrar hasta un 50% de energía.
- Dosificar bien el detergente en base a la dureza del agua, al grado de suciedad y a la cantidad de ropa evita derroches y protege el ambiente: aún siendo biodegradables, los detergentes contienen elementos que alteran el equilibrio de la naturaleza. Además, si es posible, evite utilizar el suavizante.
- Realizando los lavados desde el atardecer hasta las primeras horas de la mañana se colabora para reducir la carga de absorción de las empresas eléctricas.
La opción Delay Timer (*ver la pág. 19*) ayuda mucho a organizar los lavados en ese sentido.
- Si el lavado debe ser secado en una secadora, seleccione una velocidad de centrifugado alta. Poca agua en el lavado, permite ahorrar tiempo y energía en el programa de secado.

Mantenimiento y cuidados

ES

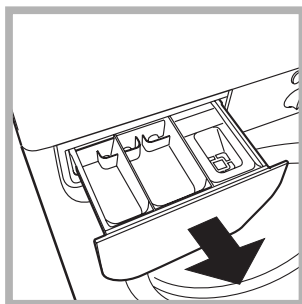
Excluir agua y corriente eléctrica

- Cierre el grifo de agua después de cada lavado. De este modo se limita el desgaste de la instalación hidráulica de la lavadora y se elimina el peligro de pérdidas.
- Desenchufe la máquina cuando la deba limpiar y durante los trabajos de mantenimiento.

Limpiar la lavadora

La parte externa y las partes de goma se pueden limpiar con un paño embebido en agua tibia y jabón. No use solventes ni productos abrasivos.

Limpiar el cajón de los detergentes



Extraiga el contenedor tirando hacia fuera (ver la figura). Lávelo debajo del agua corriente, esta limpieza se debe realizar frecuentemente.

Cuidar la puerta y el cesto

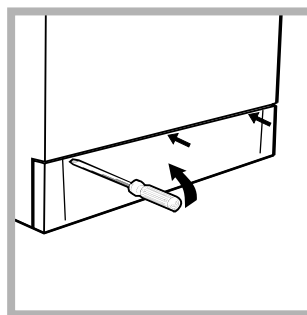
- Deje siempre semicerrada la puerta para evitar que se formen malos olores.

Limpiar la bomba

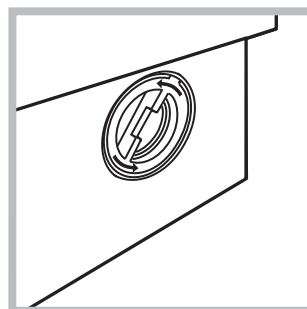
La lavadora posee una bomba autolimpiante que no necesita mantenimiento. Pero puede suceder que objetos pequeños (monedas, botones) caigan en la precámara que protege la bomba, situada en la parte inferior de la misma.

! Verifique que el ciclo de lavado haya terminado y desenchufe la máquina.

Para acceder a la precámara:



1. quite el panel de cobertura delantero de la lavadora con la ayuda de un destornillador (ver la figura);



2. desenrosque la tapa girándola en sentido antihorario (ver la figura); es normal que se vuelque un poco de agua;

3. limpie con cuidado el interior;
4. vuelva a enroscar la tapa;
5. vuelva a montar el panel verificando, antes de empujarlo hacia la máquina, que los ganchos se hayan introducido en las correspondientes ranuras.

Controle el tubo de alimentación de agua

Controle el tubo de alimentación al menos una vez al año. Si presenta grietas o rozaduras se debe sustituir: durante los lavados, las fuertes presiones podrían provocar roturas imprevistas.

! No utilice nunca tubos ya usados.

Puede suceder que la lavadora no funcione. Antes de llamar a la Asistencia Técnica (ver la pág. 24), controle que no se trate de un problema de fácil solución ayudándose con la siguiente lista.

Anomalías:

Posibles causas / Solución:

La lavadora no se enciende.

- El enchufe no está introducido en la toma de corriente, o no hace contacto.
- En la casa no hay corriente.

El ciclo de lavado no comienza.

- La puerta no está bien cerrada.
- El botón (ⓘ) no fue pulsado.
- El botón START/RESET no fue pulsado.
- El grifo del agua no está abierto.
- Se fijó un retraso de la hora de puesta en funcionamiento (Delay Timer, ver la pág. 19).

La lavadora no carga agua.

- El tubo de alimentación de agua no está conectado al grifo.
- El tubo está plegado.
- El grifo de agua no está abierto.
- En la casa falta el agua.
- No hay suficiente presión.
- El botón START/RESET no fue pulsado.

La lavadora carga y descarga agua continuamente.

- El tubo de desagüe no está instalado entre los 65 y 100 cm. del suelo (ver la pág. 15).
 - El extremo del tubo de descarga está sumergido en el agua (ver la pág. 15).
 - La descarga de pared no posee un respiradero.
- Si después de estas verificaciones el problema no se resuelve, cierre el grifo de agua, apague la lavadora y llame a la Asistencia. Si la vivienda se encuentra en uno de los últimos pisos de un edificio, es posible que se verifiquen fenómenos de sifonaje, por ello la lavadora carga y descarga agua de modo continuo. Para eliminar este inconveniente se encuentran disponibles en el comercio válvulas especiales que permiten evitar el sifonaje.

La lavadora no descarga o no centrifuga.

- El programa no prevé la descarga: con algunos programas es necesario activarlo manualmente (ver la pág. 18).
- La opción Plancha fácil está activa: para completar el programa, pulse el botón START/RESET (ver la pág. 19).
- El tubo de descarga está plegado (ver la pág. 15).
- El conducto de descarga está obstruido.

La lavadora vibra mucho durante la centrifugación.

- El cesto, en el momento de la instalación, no fue desbloqueado correctamente (ver la pág. 14).
- La lavadora no está instalada en un lugar plano (ver la pág. 14).
- Existe muy poco espacio entre la lavadora, los muebles y la pared (ver la pág. 14).

La lavadora pierde agua.

- El tubo de alimentación de agua no está bien enroscado (ver la pág. 14).
- El cajón de detergentes está obstruido (para limpiarlo ver la pág. 22).
- El tubo de descarga no está bien fijado (ver la pág. 15).

La luz indicadora de ENCENDIDO/ PUERTA BLOQUEADA centellea de modo rápido simultáneamente con, al menos, otra luz testigo:

- Apague la máquina y desenchúfela, espere aproximadamente 1 minuto y luego vuelva a encenderla.
Si la anomalía persiste, llame al Servicio de Asistencia Técnica.

Se forma demasiada espuma.

- El detergente no es específico para la lavadora (debe contener algunas de las frases "para lavadora", "a mano o en lavadora" o similares).
- La dosificación fue excesiva.

Asistencia

ES

Antes de llamar a la Asistencia Técnica:

- Verifique si la anomalía la puede resolver solo (*ver la pág. 23*);
- Vuelva a poner en marcha el programa para controlar si el inconveniente fue resuelto;
- Si no es así, llame a la Asistencia técnica autorizada, al número de teléfono indicado en el certificado de garantía.

! No recurra nunca a técnicos no autorizados.

Comunicar:

- el tipo de anomalía;
- el modelo de la máquina (Mod.);
- el número de serie (S/N).

Estas informaciones se encuentran en la placa que está fijada en la parte posterior de la lavadora.

DE**Deutsch****WIXL 125**

INHALTSVERZEICHNIS

Installation, 26-27

Auspacken und Aufstellen, 26
Wasser- und Elektroanschlüsse, 26-27
Erster Waschgang, 27
Technische Daten, 27

Beschreibung des Waschvollautomaten, 28-29

Schalterblende, 28
Kontrollleuchten, 29

Inbetriebnahme und Programme, 30

Kurz zusammengefasst: Waschprogramm starten, 30
Programmtabelle, 30

Individualisierungen, 31

Einstellen der Temperatur, 31
Einstellen der Schleuder, 31
Funktionen, 31

Waschmittel und Wäsche, 32

Waschmittelschublade, 32
Bleichen, 32
Vorsortieren der Wäsche, 32
Besondere Wäscheteile, 32

Vorsichtsmaßnahmen und Hinweise, 33

Allgemeine Sicherheit, 33
Entsorgung, 33
Energie sparen und Umwelt schonen, 33

Reinigung und Pflege, 34

Wasser- und Stromversorgung abstellen, 34
Reinigung des Gerätes, 34
Reinigung der Waschmittelschublade, 34
Pflege der Gerätetür und Trommel, 34
Reinigung der Pumpe, 34
Kontrolle des Wasserzulaufschlauchs, 34

Störungen und Abhilfe, 35

Kundendienst, 36

Bevor Sie sich an den Kundendienst wenden, 36

Installation

DE

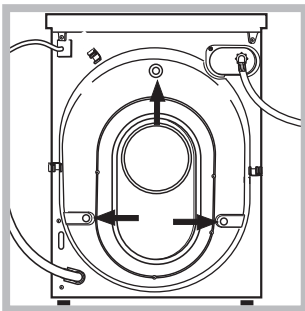
! Es ist äußerst wichtig, diese Bedienungsanleitung sorgfältig aufzubewahren, um sie jederzeit zu Rate ziehen zu können. Sorgen Sie dafür, dass sie im Falle eines Umzugs oder Übergabe an einen anderen Benutzer das Gerät stets begleitet, damit auch der neue Inhaber die Möglichkeit hat, diese zu Rate zu ziehen.

! Lesen Sie bitte folgende Hinweise aufmerksam durch, sie liefern wichtige Informationen hinsichtlich der Installation, dem Gebrauch und der Sicherheit.

Auspacken und Aufstellen

Auspacken

1. Gerät auspacken.
2. Sicherstellen, dass der Waschvollautomat keine Transportschäden erlitten hat. Im Falle einer Beschädigung Gerät bitte nicht anschließen, sondern den Kundendienst anfordern.



3. Die 3 Transportschutzschrauben ausschrauben und das an der Rückwand befindliche Gummiteil nebst entsprechendem Distanzstück abnehmen (siehe Abbildung).

4. Die Löcher mittels der mitgelieferten Kunststoffstöpsel schließen.

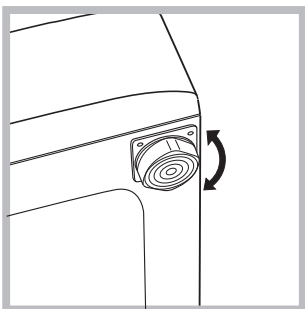
5. Sämtliche Teile aufbewahren: Sollte der Waschvollautomat erneut transportiert werden müssen, müssen diese Teile wieder eingesetzt werden.

! Verpackungsmaterial ist kein Spielzeug für Kinder

Standfläche

1. Der Waschvollautomat muss auf einem ebenen, festen Untergrund aufgestellt werden, ohne ihn an Wände, Möbelteile oder ähnliches anzulehnen.

2. Sollte der Boden nicht perfekt eben sein, müssen die Unebenheiten durch An- bzw. Ausdrehen der vorderen Stellfüße ausgeglichen werden (siehe Abbildung), der auf der Arbeitsfläche zu ermittelnde Neigungsgrad darf 2° nicht überschreiten.



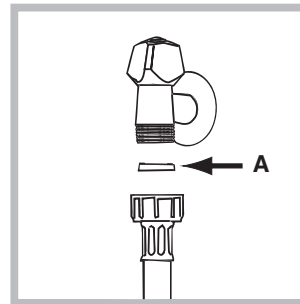
Eine präzise Nivellierung verleiht dem Gerät die erforderliche Stabilität, durch die Vibrationen,

Betriebsgeräusche und ein Verrücken des Gerätes vermieden werden. Bei Teppichböden müssen die Stellfüße so reguliert werden, dass ein ausreichender Freiraum zur Belüftung unter dem Waschvollautomaten gewährleistet ist.

Wasser- und Elektroanschlüsse

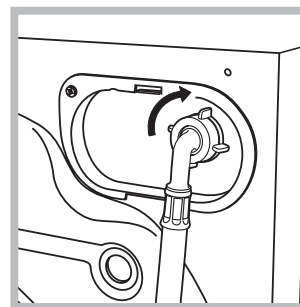
Anschluss des Zulaufschlauches

1. Legen Sie die Gummidichtung A in das Anschlussstück des Zulaufschlauches ein und drehen



Sie dieses an einen mit Gewindeanschluss von $\frac{3}{4}$ G versehenen Kaltwasserhahn (siehe Abbildung). Lassen Sie das Wasser vor dem Anschluss so lange auslaufen, bis klares Wasser austritt.

2. Schließen Sie das andere Ende des Schlauches an den oben rechts am Rückteil des Waschvollautomaten befindlichen Wasseranschluss an (siehe Abbildung).



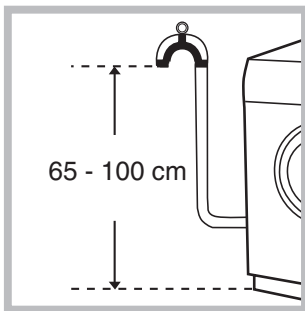
3. Der Schlauch darf hierbei nicht eingeklemmt oder abgeknickt werden.

! Der Wasserdruck muss innerhalb der Werte liegen, die in der Tabelle der Technischen Daten angegeben sind (siehe nebenstehende Seite).

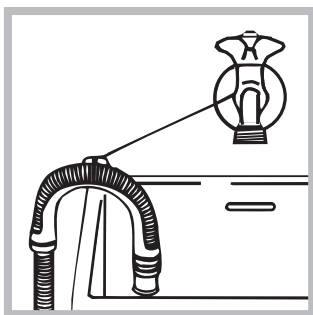
! Sollte der Zulaufschlauch nicht lang genug sein, dann wenden Sie sich bitte an einen Fachhändler oder an einen autorisierten Fachmann.

! Verwenden Sie niemals bereits gebrauchte Schläuche.

Anschluss des Ablaufschlauches



Schließen Sie den Ablaufschlauch, ohne ihn dabei zu krümmen, an eine Ablaufleitung, oder an einen in der Wand in einer Mindesthöhe von 65 - 100 cm angelegten Ablauf an;



oder hängen Sie ihn in ein Becken oder eine Wanne ein; befestigen Sie ihn in diesem Falle mittels der mitgelieferten Führung an dem Wasserhahn (siehe *Abbildung*). Das freie Ablaufschlauchende darf nicht unter Wasser bleiben.

! Verlängerungsschläuche sollten nicht eingesetzt werden, sollte dies jedoch absolut unvermeidlich sein, muss die Verlängerung denselben Durchmesser des Originalschlauchs aufweisen und 150 cm nicht überschreiten.

Elektronanschluss

Vor Einfügen des Steckers in die Steckdose ist sicherzustellen, dass:

- die Steckdose über eine normgerechte Erdung verfügt;
- die Steckdose die in nebenstehender Datentabelle angegebene Höchstlast des Gerätes trägt;
- die Stromspannung den in nebenstehender Datentabelle aufgeführten Werten entspricht;
- der Stecker in die Steckdose passt. Andernfalls muss der Stecker (oder die Steckdose) ersetzt werden.

! Der Waschvollautomat darf nicht im Freien installiert werden, auch nicht, wenn es sich um einen geschützten Platz handelt. Es ist gefährlich, Ihren Vollwaschautomaten Gewittern und Unwettern auszusetzen.

! Die Steckdose sollte nach installiertem Gerät leicht zugänglich sein.

! Verwenden Sie bitte keine Verlängerungen oder Mehrfachstecker.

! Das Kabel darf nicht gebogen bzw. eingeklemmt werden.



! Das Versorgungskabel darf nur durch autorisierte Fachkräfte ausgetauscht werden.

Achtung! Der Hersteller weist jede Haftung zurück, falls diese Vorschriften nicht eingehalten werden sollten.

Erster Waschgang

Lassen Sie nach der Installation bzw. vor erstmaligem Gebrauch erst einen Waschgang (mit Waschmittel) ohne Wäsche durchlaufen. Stellen Sie hierzu das 90°C-Waschprogramm ohne Vorwäsche ein.

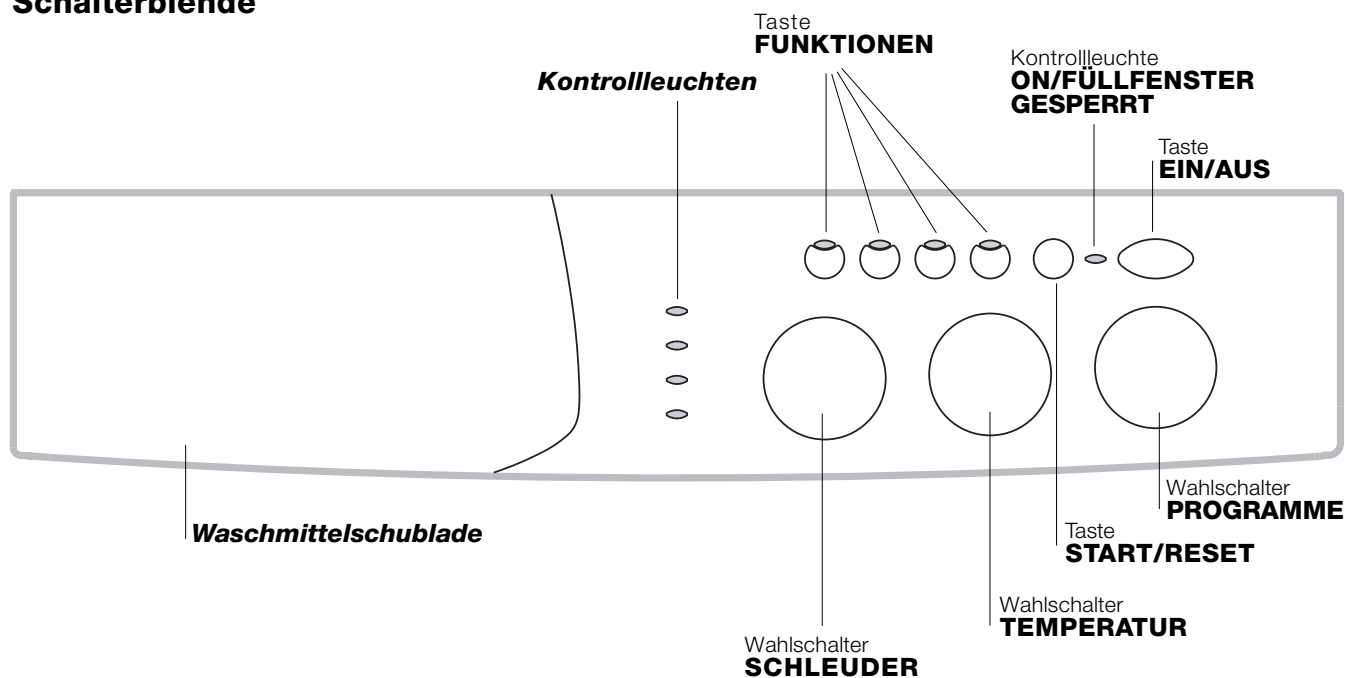
Technische Daten

Modell	WIXL 125
Abmessungen	Breite 59,5 cm Höhe 85 cm Tiefe 56,5 cm
Fassungsvermögen	1 bis 6 kg
Elektroanschlüsse	Siehe das am Gerät befindliche Typenschild.
Wasseranschlüsse	Höchstdruck 1 MPa (10 bar) Minstdruck 0,05 MPa (0,5 bar) Trommelvolumen 52 Liter
Schleudertouren	bis zu 1200 U/min.
Prüfprogramme gemäß EN 60456	Programm 2; Temperatur 60°C; bei einer Lademenge von 6 kg.
 	Dieses Gerät entspricht den folgenden EG-Richtlinien: - 89/336/EWG vom 03.05.89 (elektromagnetische Verträglichkeit) und nachfolgenden Änderungen - 2006/95/CE (Niederspannung) - 2002/96/CE

Beschreibung des Waschvollautomaten

DE

Schalterblende



Waschmittelschublade: für Waschmittel und Zusätze (siehe Seite 32).

Kontrollleuchten: Zur Kontrolle des Waschprogrammablaufs. Wurde die Funktion Delay Timer eingestellt, wird die bis zum Start noch verbleibende Zeit angezeigt (siehe Seite 29).

Wahlschalter **SCHLEUDER:** Zur Einstellung oder zum völligen Ausschalten der Schleuder (siehe Seite 31).

Tasten **FUNKTIONEN:** Zur Einstellung der verfügbaren Funktionen. Die gewählte Einstellung der entsprechenden Funktionstaste bleibt eingeschaltet. (sie leuchtet).

Wahlschalter **TEMPERATUR:** Zur Einstellung der Waschtemperatur oder der Kaltwäsche (siehe Seite 31).

Taste **"START/RESET":** um die Programme zu starten bzw. zu löschen, falls unkorrekt eingestellt.

Kontrollleuchte **ON/FÜLLFENSTER GESPERRT:** Um Erkennen zu können, ob die Maschine eingeschaltet ist und demnach das Füllfenster nicht geöffnet werden kann (siehe Seite 29).

Taste **"EIN/AUS":** zur Ein- und Ausschaltung des Waschvollautomaten

Wahlschalter **PROGRAMME:** zur Programmwahl. Während des Programmablaufs bleibt der Schalter feststehend.

Kontrollleuchten

Die Kontrollleuchten liefern wichtige Hinweise. Sie signalisieren:

Startvorwahl erfolgt:

Wurde die Startvorwahl-Funktion Delay Timer (*siehe Seite 31*) aktiviert, und das Programm in Gang gesetzt, schaltet die Kontrollleuchte, die der eingestellten Zeitverschiebung entspricht, auf Blinklicht:



Nach und nach wird die bis zum effektiven Start noch verbleibende Zeit eingeblendet, die entsprechende Kontrollleuchte blinkt:



Nach Ablauf der vorgewählten Zeit erlischt die Kontrollleuchte und das gewählte Waschprogramm startet.

Laufende Programmphase:

Während des Waschprogrammablaufs leuchten die Kontrollleuchten nach und nach auf und zeigen so den jeweiligen Stand an.



Anmerkung: Während des Abpumpens leuchtet die entsprechende Kontrollleuchte für die Schleuder auf.

Tasten FUNKTIONEN

Die Funktionstasten fungieren auch als Kontrollleuchten. Bei Wahl einer Funktion leuchtet die entsprechende Taste auf.

Ist die gewählte Funktion nicht vereinbar mit dem eingestellten Programm, schaltet die Taste auf Blinklicht und die Funktion wird nicht aktiviert.

Wird eine Funktion eingestellt, die zu der bereits eingestellten nicht zugeschaltet werden kann, bleibt nur die zuletzt gewählte aktiv.

Kontrollleuchte ON/FÜLLFENSTER GESPERRT:

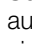
Ist diese Kontrollleuchte eingeschaltet, bedeutet dies, dass das Füllfenster gesperrt ist. Um ungewolltes Öffnen zu vermeiden, warten Sie, bis die Leuchte auf Blinklicht umschaltet, bevor Sie das Fenster öffnen, um Schäden zu vermeiden.


! Ein gleichzeitiges, rasches Blinken der Kontrollleuchte ON/FÜLLFENSTER GESPERRT mit einer beliebigen anderen Kontrollleuchte signalisiert einen Fehler (*siehe Seite 35*).

Inbetriebnahme und Programme




DE

Kurz zusammengefasst: Waschprogramm starten

1. Schalten Sie den Waschvollautomaten durch Druck auf die Taste  ein. Alle Kontrollleuchten leuchten für einige Sekunden auf, und erlöschen kurz darauf wieder. Die Kontrollleuchte ON/FÜLLFENSTER GESPERRT schaltet auf Blinklicht.
2. Wäsche einfüllen und Füllfenster schließen.
3. Stellen Sie das gewünschte Programm mittels des Wahlschalters PROGRAMME ein.
4. Einstellen der Waschtemperatur (siehe Seite 31).

5. Einstellen der Schleudergeschwindigkeit (siehe Seite 31).
6. Waschmittel und Zusätze einfüllen (siehe Seite 32).
7. Programm durch Druck auf die Taste START/RESET in Gang setzen.
Um dieses zu löschen, Taste START/RESET für mindestens 2 Sekunden gedrückt halten.
8. Ist das Waschprogramm abgelaufen schaltet die Kontrollleuchte ON/FÜLLFENSTER GESPERRT auf Blinklicht, was anzeigt, dass das Fenster geöffnet werden kann. Nehmen Sie die Wäsche heraus und lassen Sie das Füllfenster leicht offen stehen, damit die Trommel trocknen kann. Die Waschmaschine nun durch Druck auf die Taste  ausschalten.

Programmtabelle

Gewebeart und Verschmutzungsgrad	Waschprogramme	Temperatur	Waschmittel		Weichspüler	Funktion Flecken/Bleichmittel	Programmdauer (Min.)	Beschreibung des Waschprogramms
			Vorw.	Hauptw.				
Standard								
Stark verschmutzte Kochwäsche (Bettücher, Tischdecken usw.)	1	90°C	•	•	•		167	Vorwäsche, Hauptwäsche, Spülen, Zwischen- und Endschleudern
Stark verschmutzte Kochwäsche (Bettücher, Tischdecken usw.)	2	90°C		•	•	Mild/Normal	152	Hauptwäsche, Spülen, Zwischen- und Endschleudern
Weißwäsche und widerstandsfähige, stark verschmutzte Buntwäsche	2	60°C		•	•	Mild/Normal	150	Hauptwäsche, Spülen, Zwischen- und Endschleudern
Weißwäsche und empfindliche, stark verschmutzte Buntwäsche	2	40°C		•	•	Mild/Normal	142	Hauptwäsche, Spülen, Zwischen- und Endschleudern
Leicht verschmutzte Weißwäsche und empfindliche Buntwäsche (Oberhemden, Maschenware usw.)	3	40°C		•	•	Mild/Normal	99	Hauptwäsche, Spülen, Zwischen- und Endschleudern
Stark verschmutzte, farbechte Buntwäsche (Babywäsche usw.)	4	60°C		•	•	Mild	80	Hauptwäsche, Spülen, Knitterschutz oder sanftes Schleudern
Stark verschmutzte, farbechte Buntwäsche (Babywäsche usw.)	4	40°C		•	•	Mild	71	Hauptwäsche, Spülen, Knitterschutz oder sanftes Schleudern
Empfindliche Buntwäsche (leicht verschmutzte Wäsche aller Art).	5	40°C		•	•	Mild	71	Hauptwäsche, Spülen, Knitterschutz oder sanftes Schleudern
Wolle	6	40°C		•	•		50	Hauptwäsche, Spülen, sanftes Schleudern
Sehr empfindliche Stoffe (Gardinen, Seide, Viskose, usw.)	7	30°C		•	•		52	Hauptwäsche, Spülen, Knitterschutz oder abpumpen
Time 4 you								
Weißwäsche und widerstandsfähige, stark verschmutzte Buntwäsche	8	60°C		•	•		60	Hauptwäsche, Spülen, Zwischen- und Endschleudern
Leicht verschmutzte Weißwäsche und empfindliche Buntwäsche (Oberhemden, Maschenware usw.)	9	40°C		•	•		50	Hauptwäsche, Spülen, Zwischen- und Endschleudern
Empfindliche Buntwäsche (leicht verschmutzte Wäsche aller Art).	10	40°C		•	•		40	Hauptwäsche, Spülen und sanftes Schleudern
Empfindliche Buntwäsche (leicht verschmutzte Wäsche aller Art).	11	30°C		•	•		30	Hauptwäsche, Spülen und sanftes Schleudern
Sport								
Sportschuhe (MAX. 2 Paar.)	12	30°C		•	•		50	Kaltwäsche (ohne Waschmittel), Hauptwäsche, Spülen und sanftes Schleudern
Stoffe für Sportbekleidung (Trainingsanzüge, Sporthosen usw.)	13	30°C		•	•		63	Hauptwäsche, Spülen, Zwischen- und Endschleudern
TEILPROGRAMME								
Spülen					•	Mild/Normal		Spülen und Schleudern
Schleudern								Abpumpen und Schleudern
Abpumpen								Abpumpen

Anmerkungen

- Bei den Programmen 8 - 9 sollte eine Beladungsmenge von 3,5 kg nicht überschritten werden.
- Bei dem Programm 13 sollte eine Beladungsmenge von 2 kg nicht überschritten werden.
- Zum Knitterschutz: siehe "Bügelleicht", auf *nebenstehender Seite*. Bei den in der Tabelle aufgeführten Daten handelt es sich um Richtwerte.

Spezialprogramm

Kurzprogramm 30' (Programm 11 für Kunstfasern) Kurzprogramm für die tägliche Wäsche leicht verschmutzter Teile: in nur 30 Minuten, zur Einsparung von Zeit und Energie. Stellen Sie dieses Waschprogramm (11 bei 30°C) ein, dann können, bei einer maximalen Lademenge von 3 kg, Gewebe unterschiedlicher Art (mit Ausnahme von Wolle und Seide) zusammen gewaschen werden. *Es ist ratsam, flüssige Waschmittel einzusetzen.*

Einstellen der Temperatur

Durch Drehen des Wahlschalters TEMPERATUR wird die Waschttemperatur eingestellt. (siehe Programmtabelle auf Seite 30). Die Temperatur kann bis auf Kaltwäsche (❄️) herabgesetzt werden.

Einstellen der Schleuder

Durch Drehen des Wahlschalters SCHLEUDER wird die Schleudergeschwindigkeit des gewählten Waschprogramms eingestellt.

Folgende Höchstgeschwindigkeiten sind für die einzelnen Programme vorgesehen:

Waschprogramme	Höchstgeschwindigkeit
Baumwolle	1000 U/min
Kunstfasern	800 U/min
Wolle	600 U/min
Seide	no

Die Schleudergeschwindigkeit kann herabgesetzt; durch Wahl des Symbols kann die Schleuder gänzlich ausgeschlossen werden.

Der Waschvollautomat verhindert automatisch ein höheres Schleudern, falls die für das entsprechende Programm vorgeschriebene Schleuderdrehzahl überstiegen wird.

! Um zu starke Vibrationen, bzw. eine Unwucht beim Schleudern, zu vermeiden, sorgt das Gerät für eine gleichmäßige Verteilung der Wäscheladung durch eine laufende Rotation der Trommel bei einer etwas höheren Geschwindigkeit, als die des Waschgangs.

Sollte es trotz mehrerer Versuche nicht gelingen, die Wäscheladung gleichmäßig zu verteilen, schleudert das Gerät die Wäsche bei reduzierter Schleudergeschwindigkeit.

Funktionen

Die verschiedenen Waschfunktionen, die Ihnen Ihr Waschvollautomat bietet, ermöglichen es Ihnen, hygienisch saubere und weiße Wäsche zu erhalten, die Ihren Wünschen entsprechen. Aktivierung der Funktionen:

1. Die Taste der gewünschten Funktion gemäss untenstehender Tabelle drücken;
2. Das Einschalten bzw. Aufleuchten der entsprechenden Taste zeigt an, dass die Funktion aktiviert wurde.

Anmerkung: Sollte die Taste jedoch auf Blinklicht schalten, bedeutet dies, dass die Funktion zu dem eingestellten Programm nicht zugeschaltet werden kann.

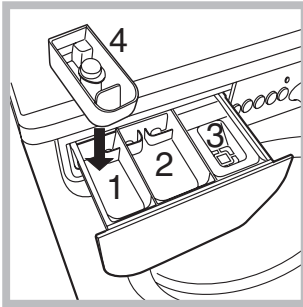
Funktionen	Wirkung	Anleitungen zur Anwendung	Aktiv mit den Programmen:
 Delay Timer (Startvorwahl)	Start kann bis zu 9 Std. verschoben werden.	Drücken Sie die Taste so oft, bis die Kontrollleuchte der gewünschten Zeitverschiebung aufleuchtet. Ein fünfter Tastendruck deaktiviert die Funktion. NB: Ist die Taste START/RESET einmal gedrückt, kann der gewählte Zeitverschiebungswert nur noch herabgesetzt werden.	Alle
 Fleken	Bleichzyklus, zur Entfernung auch hartnäckigster Flecken.	Vergessen Sie nicht, dass das Bleichmittel in die Zusatzkammer 4 eingegeben werden muss (siehe Seite 32). Nicht mit der Funktion BÜGELLEICHT zu kombinieren.	2, 3, 4, 5, Spülen.
 Bügelleicht	Reduziert die Knitterbildung und erleichtert so das Bügeln.	Wurde diese Funktion eingestellt, werden die Programme 4, 5, 7 unterbrochen, das Wasser wird nicht abgepumpt, die Wäsche bleibt im Wasser liegen (Knitterschutz), und die Kontrollleuchte der Spülphase schaltet auf Blinklicht: - um den Waschgang zu beenden, Taste START/RESET drücken; - nur das Wasser abpumpen: Knopf auf das entsprechende Symbol drehen und die Taste START/RESET drücken. Nicht mit der Funktion FLEKEN zu kombinieren.	3, 4, 5, 7, 8, 9, 10, Spülen.
 Extra spülen	Erhöht die Wirksamkeit des Spülgangs.	Empfehlenswert bei voller Gerätebeladung und hoher Waschmitteldosierung.	1, 2, 3, 4, 5, 8, 9, 10, 12, 13 Spülen.

Waschmittel und Wäsche

DE

Waschmittelschublade

Ein gutes Waschergebnis hängt auch von einer korrekten Waschmitteldosierung ab: Eine zu hohe Dosierung bedeutet nicht unbedingt reinere Wäsche, sie trägt nur dazu bei, die Maschineninnenteile zu verkrusten und die Umwelt zu belasten.



Schublade herausziehen und Waschmittel oder Zusätze wie folgt einfüllen:

In Kammer 1: Waschpulver für die Vorwäsche (kein Flüssigwaschmittel)

Vergewissern Sie sich vor Einfüllen des Waschmittels, dass die Zusatzkammer 4 nicht eingesetzt wurde.

In Kammer 2: Waschmittel für die Hauptwäsche (Waschpulver oder Flüssigwaschmittel)

Flüssigwaschmittel nur kurz vor dem Start einfüllen.

In Kammer 3: Zusätze (Weichspüler usw.)

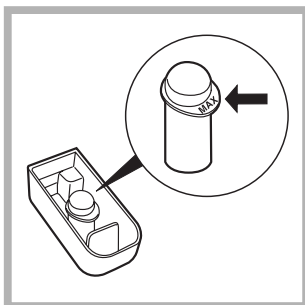
Der Weichspüler darf das Gitter nicht übersteigen.

Zusätzliche Kammer 4: Bleichmittel



! Verwenden Sie keine Handwaschmittel, sie verursachen eine zu hohe Schaumbildung.

Bleichen

! **Normale** Bleichmittel sind für strapazierfähige Weißwäsche zu verwenden, **milde** Bleichmittel dagegen für Buntwäsche, Feinwäsche und Wolle.



Mitgelieferte, zusätzliche Kammer 4 in Kammer 1 einsetzen. Bei der Dosierung des Bleichmittels darf der auf dem Zentralstift mit "max" gekennzeichnete Höchststand (siehe Abbildung) nicht überschritten werden.

Soll nur ein Bleichzyklus allein durchgeführt werden, dann geben Sie das Bleichmittel in die zusätzliche Kammer 4, stellen Sie die Programm Spülen  und dann die Funktion Extra Spülen .

Um während des Waschgangs zu bleichen, geben Sie das Waschmittel und die Zusätze ein; wählen das gewünschte Programm und schalten die Funktion Flecken hinzu (siehe Seite 31).

Die Verwendung der zusätzlichen Kammer 4 schließt die Vorwäsche aus. Ein solcher Bleichzyklus kann zu den Programmen 7 (Seide) und Kurzprogramm 30' (siehe Seite 30) nicht zugeschaltet werden.

Vorsortieren der Wäsche

- Sortieren Sie die Wäsche nach:
 - Gewebeat / Waschetikettensymbol
 - und Farben: Buntwäsche von Weißwäsche trennen.
- Entleeren Sie alle Taschen.
- Das angegebene Gewicht, das sich auf die maximale Ladung an Trockenwäsche bezieht, sollte nicht überschritten werden:
 - Widerstandsfähige Gewebe: max 6 kg
 - Kunstfasergewebe: max 2,5 kg
 - Feinwäsche: max 2 kg
 - Wolle: max 1,5 kg

Wie schwer ist Wäsche?

- 1 Bettuch 400-500 gr
- 1 Kissenbezug 150-200 gr
- 1 Tischdecke 400-500 gr
- 1 Bademantel 900-1.200 gr
- 1 Handtuch 150-250 gr

Besondere Wäscheteile

Gardinen: Gardinen zusammengefaltet in einem Kissenbezug oder in einem netzartigen Beutel waschen. Waschen Sie diese allein, ohne das Gesamtgewicht für halbe Füllung zu übersteigen. Stellen Sie das Programm 7 ein, das ein automatisches Ausschließen der Schleuder vorsieht.

Skjacken und Anoraks: Sind diese mit Gänse- oder Daunenfedern gefüllt, können sie im Waschvollautomaten gewaschen werden. Ziehen Sie die Teile auf links, achten Sie auf eine maximale Beladung von 2/3 kg, wiederholen Sie 2/3 Spülgänge und stellen Sie die Schleuder auf Schonschleudern ein.

Wolle: Verwenden Sie Spezialwaschmittel; Lademenge von 1,5 kg bitte nicht überziehen.

! Der Waschvollautomat wurde nach den strengsten internationalen Sicherheitsvorschriften entworfen und gebaut. Nachstehende Hinweise werden aus Sicherheitsgründen geliefert und sollten aufmerksam gelesen werden.

Allgemeine Sicherheit

- Dieses Gerät wurde für den nicht professionellen Einsatz im privaten Haushalt konzipiert und seine Funktionen dürfen nicht verändert werden.
- Der Waschvollautomat darf nur von Erwachsenen und gemäß den Anleitungen dieses Handbuchs bedient werden.
- Berühren Sie das Gerät nicht, wenn Sie barfuß sind, und auch nicht mit nassen oder feuchten Händen oder Füßen.
- Ziehen Sie den Gerätestecker nicht am Kabel aus der Steckdose, sondern nur am Stecker selbst.
- Öffnen Sie die Waschmittelschublade nicht, wenn das Gerät in Betrieb ist.
- Berühren Sie nicht das Ablaufwasser, es kann sehr heiß sein.
- Öffnen Sie das Füllfenster nicht mit Gewalt: Der Sicherheits-Schließmechanismus könnte hierdurch beschädigt werden.
- Bei etwaigen Störungen versuchen Sie bitte nicht, Innenteile selbst zu reparieren.
- Halten Sie Kinder stets von dem in Betrieb befindlichen Gerät fern.
- Während des Waschganges kann das Füllfenster sehr heiß werden.
- Muss der Waschvollautomat versetzt werden, sollten hierfür mindestens 2/3 Personen verfügbar sein. (Vorsichtig vorgehen). Versuchen Sie es niemals allein, das Gerät ist äußerst schwer.
- Vergewissern Sie sich, dass die Trommel völlig leer ist, bevor Sie die Wäsche einfüllen.

Entsorgung

- Entsorgung von Elektroaltgeräten
Gemäß der Europäischen Richtlinie 2002/96/EC über Elektro- und Elektronik-Altgeräte (WEEE) dürfen Elektrohaushalts-Altgeräte nicht über den herkömmlichen Haushaltsmüllkreislauf entsorgt werden. Altgeräte müssen separat gesammelt werden, um die Wiederverwertung und das Recycling der beinhaltenen Materialien zu optimieren und die Einflüsse auf die Umwelt und die Gesundheit zu reduzieren. Das

Symbol „durchgestrichene Mülltonne“ auf jedem Produkt erinnert Sie an Ihre Verpflichtung, dass Elektrohaushaltsgeräte gesondert entsorgt werden müssen.

Endverbraucher können sich an Abfallämter der Gemeinden wenden, um mehr Informationen über die korrekte Entsorgung ihrer Elektrohaushaltsgeräte zu erhalten.

- Entsorgung des Altgerätes:
Machen Sie das Gerät vor der Entsorgung unbrauchbar. Schneiden Sie das Kabel ab und nehmen Sie das Füllfenster ab.

Energie sparen und Umwelt schonen

Technologie im Dienste der Umwelt

Glauben Sie, durch das Füllfenster hindurch wenig Wasser zu sehen? Dank der neuen Indesit-Technik genügt die halbe Wassermenge für eine maximale Sauberkeit: eine Maßnahme die zum Schutze der Umwelt angestrebt wurde.

Waschmittel, Wasser, Energie und Zeit sparen

- Verschwendung von Strom, Wasser, Waschmittel und Zeit kann man vermeiden, indem man die Waschmaschine mit der empfohlenen Höchstwäschemenge benutzt. Bei einer vollen Auslastung Ihres Waschvollautomaten können Sie bis zu 50% Energie sparen.
- Vorwäsche ist nur bei stark verschmutzter Wäsche erforderlich. Durch Vermeidung einer solchen kann Waschmittel, Zeit, Wasser und 5-15% Energie gespart werden.
- Flecken sollten mit einem Fleckenmittel vorbehandelt werden, oder weichen Sie die Wäsche vor der Wäsche ein. Hierdurch können hohe Waschttemperaturen vermieden werden. Ein 60°C-Programm anstelle eines 90°C-Programms, oder ein 40°C-Programm anstelle eines 60°C-Programms hilft bis zu 50% Energie zu sparen.
- Dosieren Sie Waschmittel sparsam je nach Wasserhärte, Verschmutzungsgrad und Wäschemenge, um die Umwelt nicht über Gebühr zu belasten: obwohl sie biologisch abbaubar sind, beinhalten Sie dennoch Stoffe, die die Umwelt belasten. Auch Weichmacher sollten höchst sparsam eingesetzt werden.
- Waschen Sie am späten Nachmittag oder in den ersten Morgenstunden, hierdurch tragen sie dazu bei, die Belastung der Elektrizitätswerke zu mindern. Die Option ‚Delay Timer‘ (siehe Seite 31) hilft Ihnen in dieser Hinsicht außerordentlich.
- Soll die Wäsche in einem Wäschetrockner getrocknet werden, dann stellen Sie eine hohe Schleudergeschwindigkeit ein. Je trockener die Wäsche geschleudert wird, desto niedriger ist der zum Trocknen erforderliche Energieverbrauch.

Reinigung und Pflege

DE

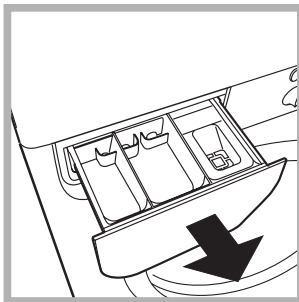
Wasser- und Stromversorgung abstellen

- Wasserhahn nach jedem Waschvorgang zudrehen. Hierdurch wird der Verschleiß der Wasseranlage verringert und Wasserlecks vorgebeugt.
- Ziehen Sie den Stecker aus der Steckdose, bevor Sie Ihren Waschvollautomaten reinigen.

Reinigung des Gerätes

Die Gehäuseteile und die Teile aus Gummi können mit einem mit warmer Spülmittellauge angefeuchteten Tuch gereinigt werden. Vermeiden Sie Löse- und Scheuermittel.

Reinigung der Waschmittelschublade



Heben Sie die Schublade leicht an und ziehen Sie sie nach vorne hin heraus (siehe Abbildung). Spülen Sie diese regelmäßig unter fließendem Wasser gründlich aus.

Pflege der Gerätetür und Trommel

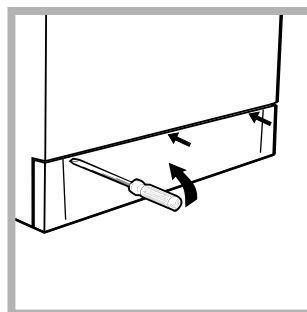
- Lassen Sie die Füllfenstertür stets leicht offen stehen, um die Bildung unangenehmer Gerüche zu vermeiden.

Reinigung der Pumpe

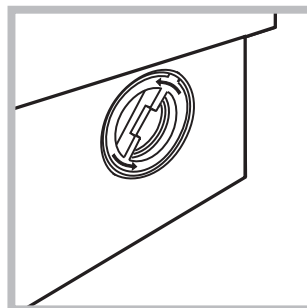
Ihr Gerät ist mit einer selbstreinigenden Pumpe ausgerüstet, eine Wartung ist demnach nicht erforderlich. Es könnte doch einmal vorkommen, dass kleine Gegenstände (Münzen, Knöpfe) in die zum Schutz der Pumpe dienende Vorkammer (befindlich unter der Pumpe) fallen. ! Vergewissern Sie sich, dass der Waschgang abgeschlossen ist und ziehen Sie den Stecker heraus.

! Vergewissern Sie sich, dass der Waschgang abgeschlossen ist und ziehen Sie den Stecker heraus.

Zugang zur Vorkammer:



1. Die Abdeckung (befindlich an der Gerätefront) mit Hilfe eines Schraubenziehers abnehmen (siehe Abbildung);



2. den Deckel gegen den Uhrzeigersinn abdrehen (siehe Abbildung): es ist ganz normal, wenn etwas Wasser austritt;

3. das Innere gründlich reinigen;
4. den Deckel wieder aufschrauben;
5. die Abdeckung wieder anbringen. Stellen Sie hierbei sicher, dass die Haken in die Schlitze eingreifen, bevor Sie die Abdeckung fest andrücken.

Kontrolle des Wasserzulaufschlauchs

Kontrollieren Sie den Zulaufschlauch mindestens einmal im Jahr. Weist er Risse bzw. Brüche auf, muss er ausgetauscht werden. Der starke Druck während des Waschprogramms könnte zu plötzlichem Platzen führen.

! Verwenden Sie niemals bereits gebrauchte Schläuche.

Es kann immer einmal vorkommen, dass Ihr Waschvollautomat nicht funktioniert. Bevor Sie sich an den Technischen Kundendienst wenden (*siehe Seite 36*), vergewissern Sie sich zuerst, ob es sich nicht um eine Kleinigkeit handelt, die Sie selbst beheben können. Ziehen Sie hierzu nachstehendes Verzeichnis zu Rate.

Störungen:

Der Waschvollautomat schaltet sich nicht ein.

Der Waschgang startet nicht.

Der Waschvollautomat lädt kein Wasser.

Der Waschvollautomat lädt laufend Wasser und pumpt es laufend ab.

Der Waschvollautomat pumpt nicht ab und schleudert nicht.

Der Waschvollautomat vibriert zu stark während des Schleuderns.

Der Waschvollautomat ist undicht.

Die Kontrollleuchte ON/FÜLL-FENSTER GESPERRT und mindestens eine weitere Kontrollleuchte blinken in raschen Abständen.

Es bildet sich zu viel Schaum.

Mögliche Ursachen / Lösungen:

- Der Stecker steckt nicht in der Steckdose, oder nicht so, dass der Kontakt hergestellt wird.
- Der Strom ist ausgefallen.
- Das Füllfenster ist nicht richtig geschlossen.
- Die Taste (I) wurde nicht gedrückt.
- Die Taste START/RESET wurde nicht gedrückt.
- Der Wasserhahn ist nicht auf.
- Es wurde ein verzögerter Start gewählt (Delay Timer, *siehe Seite 31*).
- Der Zufuhrschlauch ist nicht am Wasserhahn angeschlossen.
- Der Schlauch ist geknickt.
- Der Wasserhahn ist nicht auf.
- Es ist kein Wasser da.
- Der Druck ist unzureichend.
- Die Taste START/RESET wurde nicht gedrückt.
- Der Ablaufschlauch befindet sich nicht auf der vorgeschriebenen Höhe, d.h. 65 - 100 cm vom Boden (*siehe Seite 27*).
- Das Schlauchende liegt unter Wasser (*siehe Seite 27*).
- Der Mauerablauf wurde nicht mit einer Entlüftungsöffnung versehen. Konnte die Störung durch diese Kontrollen nicht behoben werden, dann drehen Sie den Wasserhahn zu, schalten das Gerät aus und fordern den Kundendienst an. Falls Sie in einer der obersten Etagen eines Gebäudes wohnen, kann es vorkommen, dass sich im Syphon ein Vakuum bildet, und der Waschvollautomat ständig Wasser ansaugt und wieder abpumpt. Zur Lösung dieser Probleme bietet der Handel spezielle Syphonventile.
- Das Programm siehe kein Abpumpen vor: bei einigen Programmen muss diese Funktion manuell gestartet werden (*siehe Seite 30*).
- Die Option ‚Bügelleicht‘ wurde eingestellt: zur Beendigung des Programms Taste START/RESET drücken (*siehe Seite 31*).
- Der Ablaufschlauch ist geknickt (*siehe Seite 27*).
- Die Ablaufleitung ist verstopft.
- Die Trommel wurde bei der Installation nicht korrekt befreit (*siehe Seite 26*).
- Der Waschvollautomat steht nicht eben (*siehe Seite 26*).
- Der Waschvollautomat steht zu eng zwischen der Wand und einem Möbel (*siehe Seite 26*).
- Der Zulaufschlauch wurde nicht ordnungsgemäß aufgeschraubt (*siehe Seite 26*).
- Die Waschmittelschublade ist verstopft (*zur Reinigung siehe Seite 34*).
- Der Ablaufschlauch wurde nicht ordnungsgemäß befestigt (*siehe Seite 27*).
- Schalten Sie das Gerät aus und ziehen Sie den Netzstecker; warten Sie daraufhin ca. 1 Minute und schalten Sie es wieder ein. Bleibt die Störung bestehen, kontaktieren Sie bitte den Kundendienst.
- Das Waschmittel ist für Waschmaschinen nicht geeignet (es muss mit der Aufschrift "Für Waschmaschinen", "Für Handwäsche und Waschmaschinen" usw. versehen sein).
- Es wurde zu hoch dosiert.

Kundendienst

DE

Bevor Sie sich an den Kundendienst wenden:

- Kontrollieren Sie zuerst, ob das Problem nicht allein gelöst werden kann (*siehe Seite 35*);
- Starten Sie das Programm erneut, um sicherzustellen, dass die Störung auch wirklich behoben wurde;
- Ist dies nicht der Fall, dann kontaktieren Sie den autorisierten Kundendienst unter der auf dem Garantieschein aufgedruckten Telefonnummer.

! Wenden Sie sich auf keinen Fall an nicht autorisierte Techniker.

Geben Sie bitte Folgendes an:

- die Art der Störung;
- das Maschinenmodell (Mod.);
- die Seriennummer (S/N).

Diese Daten entnehmen Sie bitte dem auf der Rückseite der Maschine befindlichen Typenschild.

GR

ΕΛΛΗΝΙΚΑ

WIXL 125

Περιεχόμενα

Εγκατάσταση, 38-39

Αποσυσκευασία και οριζοντίωση, 38
Υδραυλικές και ηλεκτρικές συνδέσεις, 38-39
Πρώτος κύκλος πλυσίματος, 39
Τεχνικά στοιχεία, 39

Περιγραφή του πλυντηρίου, 40-41

Ταμπλό ελέγχου, 40
Ενδεικτικές λυχνίες λειτουργίας, 41

Εκκίνηση και Προγράμματα, 42

Εν συντομία: εκκίνηση ενός προγράμματος, 42
Πίνακας των προγραμμάτων, 42

Προσωπικές Ρυθμίσεις, 43

Επιλέξτε τη θερμοκρασία, 43
Επιλέξτε την ταχύτητα στυσίματος, 43
Λειτουργίες, 43

Απορρυπαντικά και ρούχα, 44

Θήκη απορρυπαντικών, 44
Κύκλος λεύκανσης, 44
Προετοιμασία της πλύσης, 44
Ειδικά ρούχα, 44

Προφυλάξεις και συμβουλές, 45

Γενική ασφάλεια, 45
Διάθεση, 45
Εξοικονόμηση ενέργειας και σεβασμός του περιβάλλοντος, 45

Συντήρηση και φροντίδα, 46

Κλείσιμο παροχών νερού και ηλεκτρικού ρεύματος, 46
Καθαρισμός του πλυντηρίου, 46
Καθαρισμός του συρταριού απορρυπαντικών, 46
Φροντίδα της πόρτας και του κάδου, 46
Καθαρισμός της αντλίας, 46
Έλεγχος του σωλήνα τροφοδοσίας του νερού, 46

Προβλήματα και λύσεις, 47

Τεχνική Υποστήριξη, 48

Πριν καλέσετε την τεχνική υποστήριξη, 48

Εγκατάσταση

GR

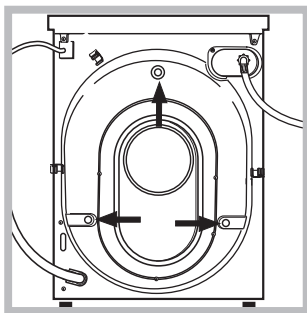
! Είναι σημαντικό να φυλάξετε το εγχειρίδιο αυτό για να μπορείτε να το συμβουλευέστε οποιαδήποτε στιγμή. Σε περίπτωση πώλησης, παραχώρησης ή μετακόμισης, βεβαιωθείτε ότι παραμένει μαζί με το πλυντήριο για να πληροφορεί τον νέο ιδιοκτήτη για τη λειτουργία και τις σχετικές προειδοποιήσεις.

! Διαβάστε προσεκτικά τις οδηγίες: υπάρχουν σημαντικές πληροφορίες για την εγκατάσταση, τη χρήση και την ασφάλεια.

Αποσυσκευασία και οριζόντιωση

Αποσυσκευασία

1. Αποσυσκευάστε το πλυντήριο.
2. Ελέγξτε αν το πλυντήριο έχει υποστεί ζημιές κατά τη μεταφορά. Αν έχει υποστεί ζημιές μην το συνδέετε και επικοινωνήστε με τον μεταπωλητή.



3. Αφαιρέστε τις 4 βίδες προστασίας για τη μεταφορά και το λαστιχάκι με το σχετικό διαχωριστικό, που βρίσκονται στο πίσω μέρος (βλέπε εικόνα).

4. Κλείστε τις οπές με τα πλαστικά πώματα που σας παρέχονται.

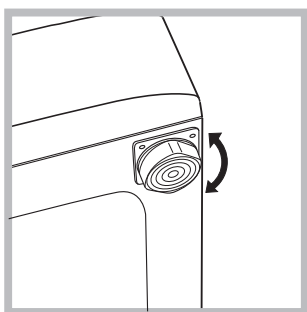
5. Διατηρείστε και τα τρία τεμάχια: αν το πλυντήριο χρειαστεί να μεταφερθεί, θα πρέπει να ξαναμονταριστούν.

! Οι συσκευασίες δεν είναι παιχνίδια για μικρά παιδιά.

Οριζόντιωση

1. Εγκαταστήστε το πλυντήριο σε ένα δάπεδο επίπεδο και ανθεκτικό, χωρίς να το ακουμπήσετε σε τοίχους, έπιπλα ή άλλο.

2. Αν το δάπεδο δεν είναι απόλυτα επίπεδο, οριζοντίωση την συσκευή βιδώνοντας ή ξεβιδώνοντας τις



ειδικές βάσεις στο μπροστινό τμήμα της συσκευής (βλέπε εικόνα).

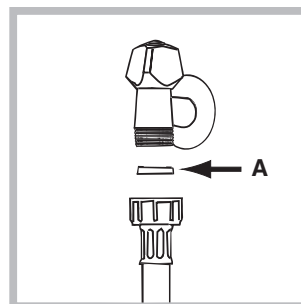
Η γωνία κλίσης, μετρημένη στην επιφάνεια εργασίας, δεν πρέπει να ξεπερνάει τις 2°.

Η σωστή οριζόντιωση προσδίδει σταθερότητα στο μηχάνημα και

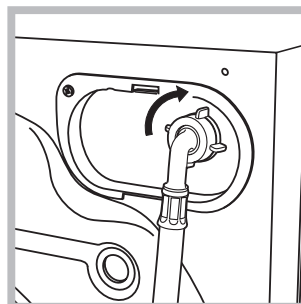
αποσοβεί δονήσεις, θορύβους και μετατοπίσεις κατά τη λειτουργία. Αν το πλυντήριο τοποθετηθεί πάνω σε μοκέτα ή τάπητα, ρυθμίστε τα ποδαράκια έτσι ώστε να υπάρχει κάτω από το πλυντήριο αρκετός χώρος για τον αερισμό.

Υδραυλικές και ηλεκτρικές συνδέσεις

Σύνδεση του σωλήνα τροφοδοσίας νερού



1. Εισάγετε την τσιμούχα A στο άκρο του σωλήνα τροφοδοσίας και βιδώστε τη μια βρύση κρύου νερού με στόμιο σπειρώματος 3/4 gas (βλέπε εικόνα). Πριν την σύνδεση αφήστε το νερό να τρέξει μέχρι αυτό να είναι διαυγές.



2. Συνδέστε το σωλήνα τροφοδοσίας στο πλυντήριο βιδώνοντάς το στην αντίστοιχη είσοδο νερού, στο πίσω μέρος επάνω δεξιά (βλέπε εικόνα).

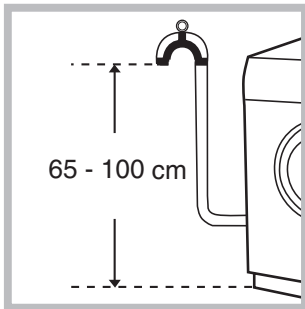
3. Βεβαιωθείτε ότι ο σωλήνας δεν είναι τσακισμένος σε κανένα σημείο του.

! Η πίεση του νερού πρέπει να κυμαίνεται μεταξύ των τιμών του πίνακα με τα τεχνικά στοιχεία (βλέπε επόμενη σελίδα).

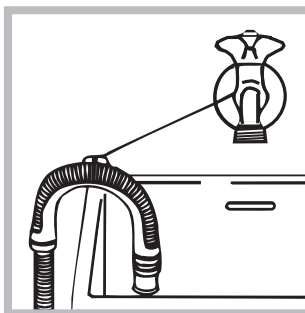
! Αν το μήκος του σωλήνα τροφοδοσίας νερού δεν επαρκεί, θα πρέπει να απευθυνθείτε σε ειδικευμένο κατάστημα ή σε εξουσιοδοτημένο τεχνικό.

! Μη χρησιμοποιείτε ποτέ σωλήνες χρησιμοποιημένους.

Σύνδεση του σωλήνα αδειάσματος νερού



Συνδέστε τον σωλήνα αδειάσματος νερού χωρίς να τον τσακίσετε σε μια αποχέτευση ή σε μια επιτοίχια αποχέτευση σε ύψος από το έδαφος μεταξύ 65 και 100 cm.



Μπορείτε επίσης να στηρίξετε τον σωλήνα αδειάσματος νερού στο χείλος ενός νιπτήρα δένοντάς τον στην βρύση (βλέπε εικόνα). Το ελεύθερο άκρο του σωλήνα δεν θα πρέπει να βυθίζεται στο νερό.

! Δεν συνιστάται η χρήση προεκτάσεων σωλήνων. Αν απαιτείται, η προέκταση πρέπει να έχει την ίδια διάμετρο του αρχικού σωλήνα και να μην ξεπερνάει τα 150 cm.

Ηλεκτρική σύνδεση

Πριν εισάγετε το βύσμα στην ηλεκτρική πρίζα, βεβαιωθείτε ότι:

- η πρίζα διαθέτει γείωση και συμμορφώνεται με τις ισχύουσες προδιαγραφές.
- η πρίζα είναι κατάλληλη για το μέγιστο φορτίο που αναγράφεται στον πίνακα τεχνικών στοιχείων (βλέπε πίνακα).
- Η τάση τροφοδοσίας να κυμαίνεται μεταξύ των τιμών που αναφέρονται στον πίνακα τεχνικών στοιχείων (βλέπε δίπλα).
- Η πρίζα να είναι συμβατή με το βύσμα του πλυντηρίου. Σε αντίθετη περίπτωση, αντικαταστήστε την πρίζα ή το βύσμα.

! Το πλυντήριο δεν πρέπει να εγκαθίσταται σε ανοικτούς χώρους, ακόμα και αν είναι στεγασμένο γιατί είναι επικίνδυνο να μένει εκτεθειμένο σε βροχή και υγρασία.

! Η πρόσβαση στην πρίζα τροφοδοσίας του πλυντηρίου πρέπει να είναι εύκολη.

! Μη χρησιμοποιείτε προεκτάσεις και πολύπριζα.

! Μην τσακίζετε και μην τοποθετείτε βαριά αντικείμενα πάνω στο καλώδιο τροφοδοσίας.

! Το καλώδιο τροφοδοσίας πρέπει να αντικαθίσταται μόνο από εξουσιοδοτημένους τεχνικούς.

Προσοχή! Η επιχείρηση αποποιείται κάθε ευθύνης σε περίπτωση που οι κανόνες αυτοί δεν τηρούνται.

Πρώτος κύκλος πλυσίματος

Μετά την εγκατάσταση, πριν τη χρήση, πραγματοποιήστε ένα κύκλο πλυσίματος με απορρυπαντικό και χωρίς ρούχα θέτοντας το

Τεχνικά στοιχεία

Μοντέλο	WIXL 125
Διαστάσεις	πλάτος cm 59,5 ύψος cm 85 βάθος cm 56,5
Χωρητικότητα	από 1 έως 6 kg
Ηλεκτρικές συνδέσεις	Βλέπε την πινακίδα χαρακτηριστικών επί της μηχανής.
Συνδέσεις νερού	μέγιστη πίεση 1 MPa (10 bar) Ελάχιστη πίεση 0,05 MPa (0,5 bar) χωρητικότητα του κάδου 52 λίτρα
Ταχύτητα στυψίματος	μέχρι 1200 στροφές το λεπτό
Προγράμματα ελέγχου σύμφωνα με τον κανονισμό EN 60456	πρόγραμμα 2; θερμοκρασία 60°C; εκτελούμενο με 6 kg μπουγάδας.

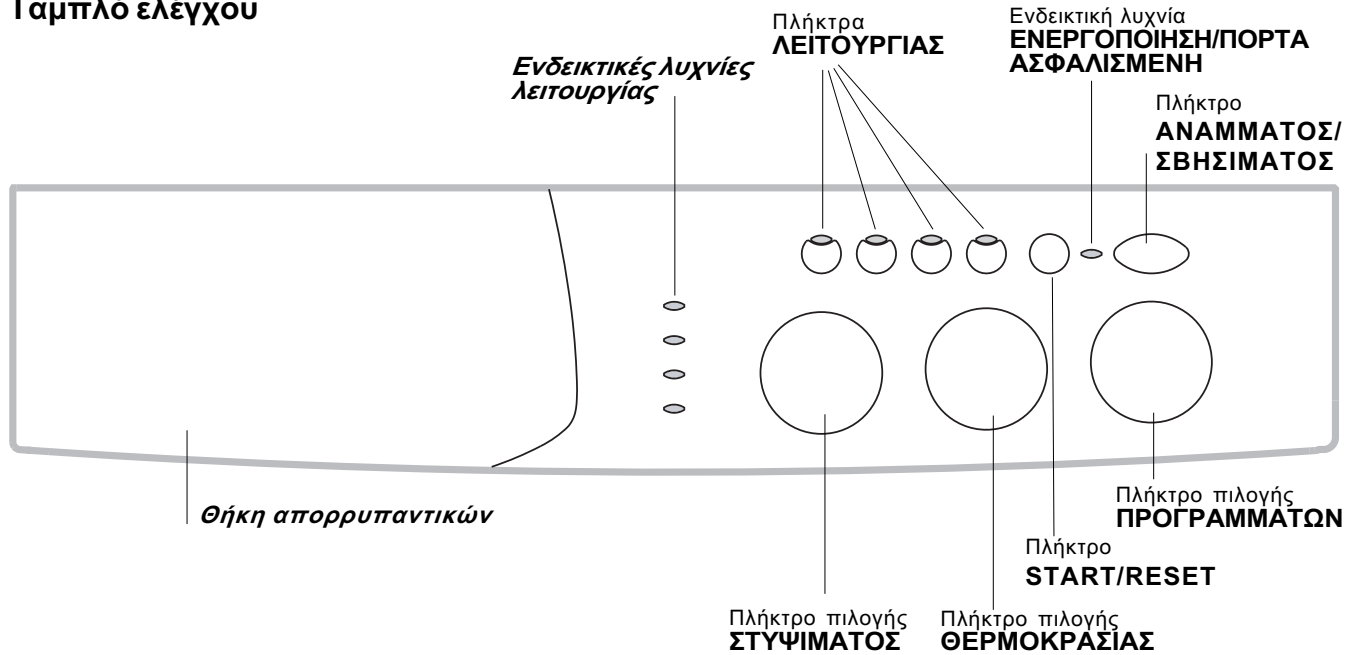


Η συσκευή αυτή είναι σύμφωνη με τις ακόλουθες Κινητικές Οδηγίες:
- 89/336/CEE της 03/05/89 (Ηλεκτρομαγνητική Συμβατότητα) και μεταγενέστερες τροποποιήσεις
- 2006/95/CE (Χαμηλή Τάση)
- 2002/96/CE

Περιγραφή του πλυντηρίου

GR

Ταμπλό ελέγχου



Θήκη απορρυπαντικών: για την προσθήκη απορρυπαντικών και πρόσθετων (βλέπε σελ. 44).

Ενδεικτικές Λυχνίες: για να παρακολουθείτε την πρόοδο του προγράμματος πλύσης. Αν ενεργοποιήσετε την λειτουργία προγραμματισμού πλύσης (Delay Timer), θα εμφανιστεί ο χρόνος που υπολείπεται για την έναρξη του προγράμματος (βλέπε σελ. 41).

Πλήκτρο επιλογής ΣΤΥΨΙΜΑΤΟΣ: για να ενεργοποιήσετε ή για να απενεργοποιήσετε το στύψιμο (βλέπε σελ. 43).

Πλήκτρα ΛΕΙΤΟΥΡΓΙΑΣ: για να επιλέξετε τις διαθέσιμες λειτουργίες. Το πλήκτρο που αντιστοιχεί στην επιλεγμένη λειτουργία θα παραμείνει αναμμένο.

Πλήκτρο επιλογής ΘΕΡΜΟΚΡΑΣΙΑΣ: για να ορίσετε τη θερμοκρασία ή να επιλέξετε πλύση με κρύο νερό (βλέπε σελ. 43).

Πλήκτρο START/RESET: για την εκκίνηση ή την ακύρωση των επιλεγμένων προγραμμάτων.

Ενδεικτική λυχνία ΕΝΕΡΓΟΠΟΙΗΣΗ/ΠΟΡΤΑ ΑΣΦΑΛΙΣΜΕΝΗ: για να καταλαβαίνετε αν το πλυντήριο είναι αναμμένο και αν μπορεί να ανοιχτεί η πόρτα του (βλέπε σελ. 41).

Πλήκτρο ΑΝΑΜΜΑΤΟΣ/ΣΒΗΣΙΜΑΤΟΣ: για να ανάβετε και να σβήνετε το πλυντήριο.

Πλήκτρο επιλογής προγραμμάτων: Κατά την διάρκεια της πλύσης, το πλήκτρο παραμένει ακίνητο.

Ενδεικτικές λυχνίες λειτουργίας

Οι ενδεικτικές λυχνίες παρέχουν σημαντικές πληροφορίες. Να τι μας λένε:

Προγραμματισμός πλύσης:

Αν έχει ενεργοποιηθεί η λειτουργία Delay Timer (βλέπε σελ. 43), αφού ξεκινήσει του πρόγραμμα, θα αρχίσει να αναβοσβήνει το ενδεικτικό φωτάκι το σχετικό με την τεθείσα καθυστέρηση:



Με την πάροδο του χρόνου θα απεικονίζεται ο υπολειπόμενος χρόνος μέχρι την έναρξη της πλύσης, με την σχετική ενδεικτική λυχνία να αναβοσβήνει:



Αφού διανυθεί η επιλεγείσα καθυστέρηση το ενδεικτικό φωτάκι που αναβοσβήνει θα σβήσει και θα αρχίσει το τεθέν πρόγραμμα.

Φάση σε εξέλιξη:

Κατά τον κύκλο πλυσίματος οι ενδεικτικές λυχνίες θα ανάψουν προοδευτικά για να δείξουν την πρόοδο της πλύσης:



Σημείωση: κατά τη φάση αδειάσματος θα ανάψει η ενδεικτική λυχνία που σχετίζεται με τη φάση Στυψίματος.

Πλήκτρα λειτουργίας

ΤΑ ΠΛΗΚΤΡΑ ΛΕΙΤΟΥΡΓΙΑΣ χρησιμεύουν επίσης και σαν ενδεικτικές λυχνίες.

Επιλέγοντας μια λειτουργία θα ανάψει το αντίστοιχο πλήκτρο.

Αν η επιλεγμένη λειτουργία δεν είναι συμβατή με το επιλεγμένο πρόγραμμα, το πλήκτρο θα αναβοσβήνει και η λειτουργία δεν θα ενεργοποιηθεί.

Στην περίπτωση που επιλεγεί μια λειτουργία μη συμβατή με μια άλλη που επιλέχθηκε προηγουμένως θα παραμείνει ενεργή μόνο η τελευταία επιλογή.

Ενδεικτική λυχνία ΕΝΕΡΓΟΠΟΙΗΣΗ/ΠΟΡΤΑ ΑΣΦΑΛΙΣΜΕΝΗ:

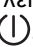
Η αναμμένη ενδεικτική λυχνία δείχνει ότι η πόρτα είναι ασφαλισμένη για την αποφυγή τυχαίων ανοιγμάτων. Για την αποφυγή ζημιών είναι αναγκαίο να περιμένετε να αναβοσβήσει η ενδεικτική λυχνία πριν το άνοιγμα της πόρτας.


! Το γρήγορο αναβοσβήσιμο της ενδεικτικής λυχνίας ΕΝΕΡΓΟΠΟΙΗΣΗ/ΠΟΡΤΑ ΑΣΦΑΛΙΣΜΕΝΗ όταν γίνεται ταυτόχρονα με μια άλλη ενδεικτική λυχνία υποδεικνύει ύπαρξη ανωμαλίας (βλέπε σελ. 47)..

Εκκίνηση και Προγράμματα




GR

Εν συντομία: εκκίνηση ενός προγράμματος

1. Θέστε σε λειτουργία το πλυντήριο πιέζοντας το πλήκτρο . Όλες οι ενδεικτικές λυχνίες θα ανάψουν για μερικά δευτερόλεπτα, κατόπιν θα σβήσουν και η ενδεικτική λυχνία ΕΝΕΡΓΟΠΟΙΗΣΗ/ΠΟΡΤΑ ΑΣΦΑΛΙΣΜΕΝΗ θα αρχίσει να αναβοσβήνει.
2. Φορτώστε τη μπουγάδα και κλείστε την πόρτα.
3. Με το πλήκτρο επιλογής ΠΡΟΓΡΑΜΜΑΤΩΝ επιλέξτε το επιθυμητό πρόγραμμα.
4. Επιλέξτε την θερμοκρασία πλυσίματος (βλέπε σελ. 43).
5. Επιλέξτε την ταχύτητα στύψιματος (βλέπε σελ. 43).

6. Τοποθετήστε το απορρυπαντικό και τυχόν πρόσθετα (βλέπε σελ. 44).
7. Εκκινήστε το πρόγραμμα πιέζοντας το κουμπί START/RESET.
Για την ακύρωση κρατήστε πατημένο το κουμπί START/RESET για τουλάχιστον 2 δευτερόλεπτα.
8. Στο τέλος του προγράμματος η ενδεικτική λυχνία ΕΝΕΡΓΟΠΟΙΗΣΗ/ΠΟΡΤΑ ΑΣΦΑΛΙΣΜΕΝΗ αναβοσβήνει υποδεικνύοντας ότι η πόρτα μπορεί να ανοίξει. Βγάλε τα ρούχα και αφήστε την πόρτα μισόκλειστη για να στεγνώσει ο κάδος. Θέστε το πλυντήριο εκτός λειτουργίας πιέζοντας το πλήκτρο .

Πίνακας των προγραμμάτων

Φύση των υφασμάτων και των λεκέδων	Προγρά.	Θερμοκρασία	Απορρυπαντικό		Μαλακτικό	Δυνατότητα Ξελεκιάσματος / Χλωρίνη	Διάρκεια του κύκλου (λεπτά)	Περιγραφή του κύκλου πλυσίματος
			πρόπλ.	πλύσ.				
Στάνταρ								
Λευκά εξαιρετικά λερωμένα (σεντόνια, τραπεζομάντιλα, κλπ.)	1	90°C	•	•	•		167	Πρόπλυση, πλύσιμο, ξεβγάλματα, ενδιάμεσα στύψιματα και τελικό
Λευκά εξαιρετικά λερωμένα (σεντόνια, τραπεζομάντιλα, κλπ.)	2	90°C		•	•	Απαλό / Παραδοσιακό	152	Πλύσιμο, ξεβγάλματα, ενδιάμεσα στύψιματα και τελικό
Λευκά και χρωματιστά ανθεκτικά, πολύ λερωμένα	2	60°C		•	•	Απαλό / Παραδοσιακό	150	Πλύσιμο, ξεβγάλματα, ενδιάμεσα στύψιματα και τελικό
Λευκά και χρωματιστά ευαίσθητα, πολύ λερωμένα	2	40°C		•	•	Απαλό / Παραδοσιακό	142	Πλύσιμο, ξεβγάλματα, ενδιάμεσα στύψιματα και τελικό
Λευκά λίγο λερωμένα και ευαίσθητα χρώματα (πουκάμισα, μπλούζες, κλπ.)	3	40°C		•	•	Απαλό / Παραδοσιακό	99	Πλύσιμο, ξεβγάλματα, ενδιάμεσα στύψιματα και τελικό
Χρώματα ανθεκτικά, πολύ λερωμένα (ασπρόρουχα για νεογέννητα, κλπ.)	4	60°C		•	•	Απαλό	80	Πλύσιμο, ξεβγάλματα, ατσαλάκωτα ή απαλό στύψιμο
Χρώματα ανθεκτικά, πολύ λερωμένα (ασπρόρουχα για νεογέννητα, κλπ.)	4	40°C		•	•	Απαλό	71	Πλύσιμο, ξεβγάλματα, ατσαλάκωτα ή απαλό στύψιμο
Χρώματα ευαίσθητα (ρούχα όλων των τύπων ελαφρά λερωμένα)	5	40°C		•	•	Απαλό	71	Πλύσιμο, ξεβγάλματα, ατσαλάκωτα ή απαλό στύψιμο
Μάλλινα	6	40°C		•	•		50	Πλύσιμο, ξεβγάλματα, απαλό στύψιμο
Υφάσματα πολύ ευαίσθητα (κουρτίνες, μεταξωτά, βισκόζη, κλπ.)	7	30°C		•	•		52	Πλύσιμο, ξεβγάλματα, ατσαλάκωτα ή άδειασμα
Time 4 you								
Λευκά και χρωματιστά ανθεκτικά, πολύ λερωμένα	8	60°C		•	•		60	Πλύσιμο, ξεβγάλματα, ενδιάμεσα στύψιματα και τελικό
Λευκά λίγο λερωμένα και ευαίσθητα χρώματα (πουκάμισα, μπλούζες, κλπ.)	9	40°C		•	•		50	Πλύσιμο, ξεβγάλματα, ενδιάμεσα στύψιματα και τελικό
Χρώματα ευαίσθητα (ρούχα όλων των τύπων ελαφρά λερωμένα)	10	40°C		•	•		40	Πλύσιμο, ξεβγάλματα, και απαλό στύψιμο
Χρώματα ευαίσθητα (ρούχα όλων των τύπων ελαφρά λερωμένα)	11	30°C		•	•		30	Πλύσιμο, ξεβγάλματα, και απαλό στύψιμο
Sport								
Αθλητικά παπούτσια (MAX. 2 ζεύγη.)	12	30°C		•	•		50	Πλύσιμο σε κρύο νερό (χωρίς απορρυπαντικό), πλύσιμο, ξεβγάλματα, και απαλό στύψιμο
Υφάσματα για αθλητική ένδυση (Φόρμες, παντελονάκια, κλπ.)	13	30°C		•	•		63	Πλύσιμο, ξεβγάλματα, ενδιάμεσα στύψιματα και τελικό
ΕΠΙ ΜΕΡΟΥΣ ΠΡΟΓΡΑΜΜΑΤΑ								
Ξεβγάλμα					•	Απαλό / Παραδοσιακό		Ξεβγάλματα και στύψιμο
Στύψιμο								Άδειασμα και στύψιμο
Άδειασμα								Άδειασμα

Σημειώσεις

- Για τα προγράμματα 8 - 9 προτείνεται να μην ξεπεράσετε ποσότητα μπουγάδας 3,5 kg.
- Για το πρόγραμμα 13 προτείνεται να μην ξεπεράσετε ποσότητα μπουγάδας 2 kg.
- Για την περιγραφή του «ατσαλάκωτα»: βλέπε λιγότερο Σιδέρωμα, *σελίδα δίπλα*. Τα στοιχεία που αναφέρονται στον πίνακα είναι ενδεικτικά.

Ειδικό πρόγραμμα

Ημερήσιο 30' (πρόγραμμα 11 για Συνθετικά) μελετήθηκε για το πλύσιμο ρούχων ελαφρά λερωμένων σε σύντομο χρόνο: διαρκεί μόνο 30 λεπτά και σας εξοικονομεί χρόνο και ενέργεια. Θέτοντας το πρόγραμμα (11 σε 30°C) μπορείτε να πλύνετε μαζί υφάσματα διαφορετικής φύσης (εκτός μάλλινων και μεταξωτών) με ένα μέγιστο φορτίο 3 kg. *Συνιστάται η χρήση υγρού απορρυπαντικού.*

Επιλέξτε τη θερμοκρασία

Στρέφοντας το πλήκτρο επιλογής ΘΕΡΜΟΚΡΑΣΙΑΣ μπορείτε να επιλέξετε την θερμοκρασία πλύσης (βλέπε Πίνακα προγραμμάτων στη σελ. 42).

Η θερμοκρασία μπορεί να μειωθεί μέχρι το πλύσιμο σε κρύο νερό (❄).

Επιλέξτε την ταχύτητα στυψίματος

Στρέφοντας το πλήκτρο επιλογής ΣΤΥΨΙΜΟ μπορείτε να επιλέξετε την ταχύτητα στυψίματος του επιλεγμένου προγράμματος.

Οι μέγιστες προβλεπόμενες ταχύτητες για τα προγράμματα είναι:

Προγράμματα	Μέγιστη ταχύτητα
Βαμβακερά	1200 στροφές ανά λεπτό
Συνθετικά	800 στροφές ανά λεπτό
Μάλλινα	600 στροφές ανά λεπτό
Μεταξωτά	όχι

Η ταχύτητα στυψίματος μπορεί να ελαττωθεί ή να αποκλειστεί επιλέγοντας το σύμβολο .

Το μηχάνημα θα παρεμποδίσει αυτόματα τη διενέργεια στυψίματος μεγαλύτερου του προβλεπόμενου επιτρεπτού για κάθε πρόγραμμα.

! Για την αποφυγή υπερβολικών δονήσεων πριν από κάθε φυγοκέντρηση το πλυντήριο κατανέμει το φορτίο ομοιόμορφα, κι αυτό γίνεται κάνοντας συνεχείς περιστροφές του κάδου σε ταχύτητα ελαφρά μεγαλύτερη εκείνης του πλυσίματος.

Όταν παρά τις συνεχείς προσπάθειες το φορτίο δεν κατανέμεται απόλυτα ομοιόμορφα, η μηχανή κάνει το στύψιμο σε ταχύτητα μικρότερη της προβλεπόμενης.

Παρουσία υπερβολικής ανισοκατανομής η μηχανή διενεργεί την κατανομή στη θέση του στυψίματος.

Οι ενδεχόμενες προσπάθειες ισοστάθμισης μπορεί να επιμηκύνουν την ολική διάρκεια του κύκλου μέχρι ένα μέγιστο 10 λεπτών.

Λειτουργίες

Οι διάφορες λειτουργίες πλυσίματος που προβλέπονται από το πλυντήριο επιτρέπουν την επίτευξη του καθαρισμού και του λευκού που επιθυμείτε. Για την ενεργοποίηση των λειτουργιών:

- πιέστε το πλήκτρο που αντιστοιχεί στην επιθυμητή λειτουργία, σύμφωνα με τον παρακάτω πίνακα;
- Το άναμμα του σχετικού πλήκτρου σηματοδοτεί ότι η λειτουργία είναι ενεργή.

Σημείωση: Το γρήγορο αναβοσβήσιμο του πλήκτρου δείχνει ότι η σχετική λειτουργία δεν μπορεί να επιλεγεί για το επιλεγμένο πρόγραμμα.

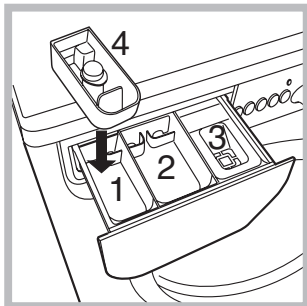
Λειτουργίες	Αποτέλεσμα	Παρατηρήσεις για τη χρήση	Ενεργή με τα προγράμματα:
 Delay Timer	Καθυστερεί την εκκίνηση του μηχανήματος μέχρι 9 ώρες.	Πιέστε πολλές φορές το πλήκτρο μέχρι να ανάψει η ενδεικτική λυχνία προγραμματισμού πλύσης. Στην πέμπτη φορά που θα πιέσετε το πλήκτρο, η λειτουργία θα απενεργοποιηθεί. ΠΑΡΑΤΗΡΗΣΗ: αφού πιέσετε το πλήκτρο Start/Reset, μπορείτε να αλλάξετε την τιμή καθυστέρησης μόνο μειώνοντάς τη.	Όλα
 Λευκάνσεις	Κύκλος λεύκανσης κατάλληλος για την απομάκρυνση των πλέον ανθεκτικών λεκέδων.	Θυμηθείτε να χύσετε τη χλωρίνη στην πρόσθετη θήκη 4 (βλέπε σελ. 44). δεν είναι συμβατή η λειτουργία Λιγότερο σιδέρωμα .	2, 3, 4, 5, Ξεβγάλματα.
 Λιγότερο σιδέρωμα	Μειώνει τις πτυχώσεις στα υφάσματα, διευκολύνοντας το σιδέρωμα.	Επιλέγοντας τη λειτουργία αυτή, τα προγράμματα 4, 5, 7 και Ευαίσθητο ξέπλυμα θα διακοπούν με τη μπουγάδα σε μούλιασμα (Ατσαλάκωτα) και η ενδεικτική λυχνία της φάσης Ξέπλυμα θα αναβοσβήνει: - για την ολοκλήρωση του κύκλου πιέστε το κουμπί START/RESET; - για τη διενέργεια μόνο του αδειάσματος τοποθετήστε τον επιλογέα στο σχετικό σύμβολο και πιέστε το κουμπί START/RESET. δεν είναι συμβατή η λειτουργία Λευκάνσεις	3, 4, 5, 7, 8, 9, 10, Ξεβγάλματα.
 Extra Ξεβγάλαμα	Αυξάνει την αποτελεσματικότητα του ξεβγάλματος.	Προτείνεται με το πλυντήριο τελείως γεμάτο ή με υψηλές δόσεις απορρυπαντικού.	1, 2, 3, 4, 5, 8, 9, 10, 12, 13 Ξεβγάλματα.

Απορρυπαντικά και ρούχα

GR

Θήκη απορρυπαντικών

Το καλό αποτέλεσμα του πλυσίματος εξαρτάται επίσης και από τη σωστή δοσολογία του απορρυπαντικού: υπερβάλλοντας δεν πλένουμε αποτελεσματικότερα και επιπλέον συντελούμε στη δημιουργία κρούστας στα εσωτερικά μέρη του πλυντηρίου και στη μόλυνση του περιβάλλοντος.



Βγάλτε τη θήκη απορρυπαντικών και εισάγετε το απορρυπαντικό ή το πρόσθετο ως εξής.

Θήκη 1: Απορρυπαντικό για πρόπλυση (σε σκόνη)

Πριν τοποθετήσετε το απορρυπαντικό, βεβαιωθείτε ότι έχει εισαχθεί η πρόσθετη θήκη 4.

Θήκη 2: Απορρυπαντικό για πλύσιμο (σε σκόνη ή υγρό)

Το υγρό απορρυπαντικό τοποθετείται μόνο πριν την έναρξη της πλύσης.

Θήκη 3: Πρόσθετα (μαλακτικό, κλπ.)

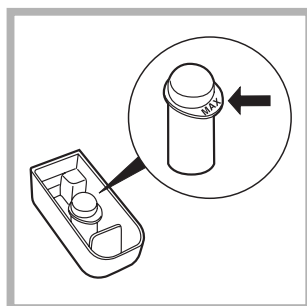
Το μαλακτικό δεν πρέπει να διαφεύγει από το πλέγμα.

Θήκη πρόσθετη 4: Χλωρίνη



! Μη χρησιμοποιείτε απορρυπαντικά για το πλύσιμο στο χέρι, διότι παράγουν πολύ αφρό.

Κύκλος λεύκανσης

! Η παραδοσιακή χλωρίνη χρησιμοποιείται για τα λευκά ανθεκτικά υφάσματα, η **απαλή** για τα χρωματιστά υφάσματα, τα συνθετικά και τα μάλλινα.



Εισάγετε την πρόσθετη θήκη 4, που σας παρέχεται, στη θήκη 1. Στη δοσολογία της χλωρίνης μην ξεπερνάτε τη στάθμη "max" που φαίνεται στον κεντρικό πείρο (βλέπε εικόνα).

Για την διενέργεια μόνο της λεύκανσης, τοποθετήστε την χλωρίνη στην πρόσθετη θήκη 4 και επιλέξτε το αντίστοιχο πρόγραμμα Ξέβγαλμα  και Λειτουργίες Extra Ξέβγαλμα .

Για λεύκανση κατά την πλύση, τοποθετήστε το απορρυπαντικό και τα πρόσθετα, επιλέξτε το επιθυμητό πρόγραμμα και ενεργοποιήστε την επιλογή

Λεύκανση (βλέπε σελ. 43).

Η χρήση της πρόσθετης θήκης 4 αποκλείει την πρόπλυση. Επιπλέον δεν μπορείτε να διενεργήσετε τη λεύκανση με τα προγράμματα 7 (Μεταξωτά) και Ημερήσιο 30' (βλέπε σελ. 42).

Προετοιμασία της πλύσης

- Χωρίστε τα ρούχα ανάλογα:
 - με το είδος του υφάσματος/ το σύμβολο της ετικέτας.
 - τα χρώματα: χωρίστε τα χρωματιστά ρούχα από τα λευκά.
- Αδειάστε τις τσέπες και ελέγξτε τα κουμπιά.
- Μην ξεπερνάτε τις υποδεικνυόμενες τιμές, σε σχέση με το βάρος των ρούχων που πρόκειται να πλυθούν:
 - Ανθεκτικά υφάσματα: max 6 kg
 - Συνθετικά υφάσματα: max 2,5 kg
 - Ευαίσθητα υφάσματα: max 2 kg
 - Μάλλινα: max 1,5 kg

Πόσο ζυγίζουν τα ρούχα?

- 1 σεντόνι 400-500 gr.
- 1 μαξιλαροθήκη 150-200 gr.
- 1 τραπεζομάντιλο 400-500 gr.
- 1 μπουρνούζι 900-1.200 gr.
- 1 πετσέτα 150-250 gr.

Ειδικά ρούχα

Κουρτίνες: διπλώστε τις μέσα σε ένα μαξιλάρι ή σε ένα δικτυωτό σακούλι. Πλύνετε τις μόνες χωρίς να ξεπεράσετε το μισό φορτίο. Χρησιμοποιήστε το πρόγραμμα 7 που αποκλείει αυτόματα το στύψιμο.

Παπλώματα και μπουφάν: αν το γέμισμα είναι χήνας ή πάπιας μπορούν να πλυθούν στο πλυντήριο. Γυρίστε τα ρούχα από την ανάποδη και επιλέξτε μέγιστο φορτίο 2-3 kg, επαναλαμβάνοντας το ξέβγαλμα μια ή δύο φορές και χρησιμοποιώντας το απαλό στύψιμο.

Μάλλινα: για καλύτερα αποτελέσματα χρησιμοποιήστε ειδικό απορρυπαντικό και μην

! Το πλυντήριο σχεδιάστηκε και κατασκευάστηκε σύμφωνα με τους διεθνείς κανόνες ασφαλείας. Αυτές οι προειδοποιήσεις παρέχονται για λόγους ασφαλείας και πρέπει να διαβάζονται προσεκτικά.

Γενική ασφάλεια

- Η συσκευή αυτή σχεδιάστηκε για οικιακή χρήση, μη επαγγελματική και οι λειτουργίες της δεν πρέπει να αλλοιωθούν.
- Το πλυντήριο πρέπει να χρησιμοποιείται μόνο από ενήλικα άτομα και σύμφωνα με τις οδηγίες που αναφέρονται στο παρόν εγχειρίδιο.
- Μην αγγίζετε το μηχάνημα με γυμνά πόδια ή με τα χέρια ή τα πόδια βρεγμένα.
- Μην βγάζετε το βύσμα από την ηλεκτρική πρίζα τραβώντας το καλώδιο, αλλά να πιάνετε την πρίζα.
- Μην ανοίγετε το συρταράκι απορρυπαντικών ενώ το μηχάνημα είναι σε λειτουργία.
- Μην αγγίζετε το νερό αδειάσματος, αφού μπορεί να φτάσει σε υψηλές θερμοκρασίες.
- Μην ζορίζετε σε καμία περίπτωση την πόρτα: θα μπορούσε να χαλάσει ο μηχανισμός ασφαλείας που προστατεύει από τυχαία ανοίγματα.
- Σε περίπτωση βλάβης, σε καμία περίπτωση να μην επεμβαίνετε στους εσωτερικούς μηχανισμούς για να προσπαθείτε να την επισκευάσετε.
- Να ελέγχετε πάντα τα παιδιά να μην πλησιάζουν στο μηχάνημα όταν αυτό λειτουργεί.
- Κατά το πλύσιμο η πόρτα τείνει να θερμαίνεται.
- Αν το πλυντήριο πρέπει να μετατοπιστεί, συνεργαστείτε δύο ή τρία άτομα με τη μέγιστη προσοχή. Ποτέ μόνοι σας γιατί το μηχάνημα είναι πολύ βαρύ.
- Πριν εισάγετε τα ρούχα για πλύσιμο, ελέγξτε αν ο κάδος είναι άδειος.

Διάθεση

• Η διάθεση των παλαιών ηλεκτρικών συσκευών

Η ευρωπαϊκή οδηγία 2002/96/EK για τα Απόβλητα Ηλεκτρικού και Ηλεκτρονικού Εξοπλισμού (ΑΗΗΕ), απαιτεί ότι οι παλαιές οικιακές ηλεκτρικές συσκευές δεν πρέπει να αποβάλλονται μαζί με τα υπόλοιπα απόβλητα του δημοτικού δικτύου. Οι παλαιές συσκευές πρέπει να συλλεχθούν χωριστά προκειμένου να βελτιστοποιηθούν η αποκατάσταση και η ανακύκλωση των υλικών που περιέχουν και με σκοπό τη μείωση των βλαβερών επιπτώσεων στην ανθρώπινη υγεία και το περιβάλλον. Το σύμβολο με το διεγραμμένο "δοχείο αποβλήτων" στο προϊόν υπενθυμίζει σε σας την υποχρέωσή σας, πως όταν επιθυμείτε να πετάξετε τη συσκευή, πρέπει να συλλεχθεί χωριστά.

Οι καταναλωτές θα πρέπει να απευθύνονται στις τοπικές αρχές ή στα καταστήματα λιανικής για πληροφορίες που αφορούν τη σωστή διάθεση των παλαιών ηλεκτρικών συσκευών.

- Διάθεση του παλιού πλυντηρίου: πριν το πετάξετε, καταστήστε το μη χρησιμοποιήσιμο κόβοντας το καλώδιο ηλεκτρικής τροφοδοσίας και βγάζοντας την πόρτα.

Εξοικονόμηση ενέργειας και σεβασμός του περιβάλλοντος

Τεχνολογία στην υπηρεσία του περιβάλλοντος

Αν στην πόρτα φαίνεται λίγο νερό είναι γιατί με τη νέα τεχνολογία Indesit φτάνει λιγότερο από το μισό του νερού για να έχετε το βέλτιστο πλύσιμο: ένας στόχος που επιτεύχθηκε για το σεβασμό του περιβάλλοντος.

Εξοικονόμηση απορρυπαντικού, νερού, ενέργειας και χρόνου

- Για να μην ξοδεύετε πόρους θα πρέπει να χρησιμοποιείτε το πλυντήριο με το μέγιστο φορτίο. Ένα πλήρες φορτίο στη θέση δύο μισών σας εξοικονομεί μέχρι το 50% ενέργειας.
- Η πρόπλυση είναι αναγκαία μόνο τα ασπρόρουχα που είναι πολύ λερωμένα. Αποφεύγοντάς τη εξοικονομείτε απορρυπαντικό, χρόνο, νερό και από 5 έως 15% ενέργειας.
- Περνώντας τους λεκέδες με ένα καθαριστικό ή αφήνοντάς τους σε μούλιασμα πριν το πλύσιμο, μειώνεται η αναγκαιότητα πλυσίματος σε υψηλές θερμοκρασίες. Ένα πρόγραμμα σε 60°C αντί των 90°C ή ένα σε 40°C αντί των 60°C, σας εξοικονομεί μέχρι 50% ενέργειας.
- Να δοσολογείτε καλά το απορρυπαντικό με βάση την σκληρότητα του νερού, το βαθμό βρωμιάς και την ποσότητα της μπουγάδας ώστε να αποσοβείτε σπατάλες και να προστατεύετε το περιβάλλον: ακόμα και τα βιοδιασπώμενα απορρυπαντικά περιέχουν στοιχεία που αλλοιώνουν την ισορροπία στην φύση. Επιπλέον να αποφεύγετε το μέγιστο δυνατό το μαλακτικό.
- Πλένοντας αργά το απόγευμα μέχρι τις πρώτες πρωινές ώρες συμβάλλετε στην μείωση του απαιτούμενου ηλεκτρικού φορτίου από πλευράς επιχειρήσεων ηλεκτρικής ενέργειας. Η δυνατότητα Delay Timer (βλέπε σελ. 43) βοηθάει πολύ στην οργάνωση των πλυσιμάτων με την έννοια αυτή.
- Αν η μπουγάδα πρέπει να στεγνώσει σε ένα στεγνωτήριο, επιλέξτε υψηλή ταχύτητα στουψίματος. Λίγο νερό στην μπουγάδα σας εξοικονομεί χρόνο και ενέργεια στο πρόγραμμα στεγνώματος.

Συντήρηση και φροντίδα

GR

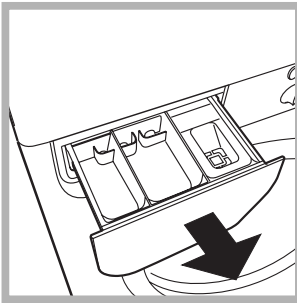
Κλείσιμο παροχών νερού και ηλεκτρικού ρεύματος

- Κλείνετε την βρύση μετά από κάθε πλύσιμο. Έτσι περιορίζεται η φθορά της υδραυλικής εγκατάστασης του πλυντηρίου και αποσοβείται ο κίνδυνος απωλειών.
- Βγάλετε το βύσμα από το ρεύμα όταν καθαρίζετε το πλυντήριο και κατά τις εργασίες συντήρησης.

Καθαρισμός του πλυντηρίου

Το εξωτερικό μέρος και τα λαστιχένια μέρη μπορούν να καθαρίζονται με ένα πανί βρεγμένο με χλιαρό νερό και σαπούνι. Μη χρησιμοποιείτε διαλύτες ή αποξυστικά.

Καθαρισμός του συρταριού απορρυπαντικών



Τραβήξτε το συρτάρι ανασηκώνοντάς το και τραβώντας το προς τα έξω (βλέπε εικόνα). Πλένετέ το κάτω από τρεχούμενο νερό. Ο καθαρισμός αυτός διενεργείται συχνά.

Φροντίδα της πόρτας και του κάδου

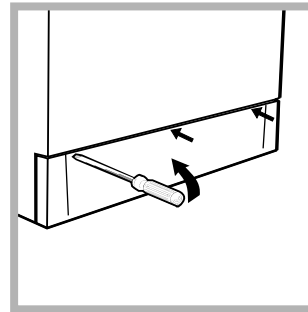
- Να αφήνετε πάντα μισόκλειστη την πόρτα για να μην παράγονται δυσσομίες.

Καθαρισμός της αντλίας

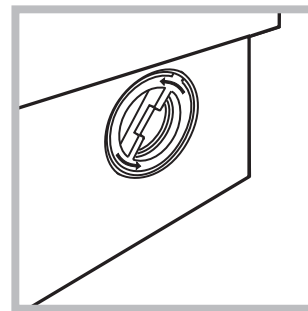
Το πλυντήριο διαθέτει μια αντλία αυτοκαθαριζόμενη που δεν χρειάζεται συντήρηση. Μπορεί όμως να τύχει να πέσουν μικρά αντικείμενα (κέρματα, κουμπιά) στον προθάλαμο που προστατεύει την αντλία, που βρίσκεται στο κάτω μέρος αυτής.

! Βεβαιωθείτε ότι ο κύκλος πλυσίματος έχει τελειώσει και βγάλετε το βύσμα.

Για να έχετε πρόσβαση στον προθάλαμο:



1. αφαιρέστε το ταμπλό κάλυψης στο πρόσθιο πλευρό του πλυντηρίου με τη βοήθεια ενός κατσαβιδιού (βλέπε εικόνα)



2. ξεβιδώστε το καπάκι στρέφοντάς το αριστερόστροφα (βλέπε εικόνα): είναι φυσικό να βγαίνει λίγο νερό.

3.καθαρίστε επιμελώς το εσωτερικό

4.ξεναβιδώστε το καπάκι

5.ξεναμοντάρετε το ταμπλό όντας σίγουροι, πριν το σπρώξετε προς το μηχάνημα, ότι έχετε εισάγει τα γαντζάκια στις αντίστοιχες εσοχές.

Έλεγχος του σωλήνα τροφοδοσίας του νερού

Ελέγχετε το σωλήνα τροφοδοσίας τουλάχιστον μια φορά ετησίως. Αν παρουσιάζει σκασίματα και σχισμές αντικαθίσταται: κατά τα πλυσίματα οι ισχυρές πιέσεις θα μπορούσαν να προκαλέσουν ξαφνικά σπασίματα.

! Μη χρησιμοποιείτε ποτέ σωλήνες χρησιμοποιημένους.

Μπορεί να συμβεί το πλυντήριο να μη λειτουργεί. Πριν τηλεφωνήσετε στην Υποστήριξη (βλέπε σελ. 60), ελέγξτε αν δεν πρόκειται για ένα πρόβλημα που επιλύεται εύκολα με τη βοήθεια του ακόλουθου καταλόγου.

GR

Ανωμαλίες:

Πιθανά αίτια / Λύση:

Το πλυντήριο δεν ανάβει.

- Το βύσμα δεν έχει εισαχθεί στην ηλεκτρική πρίζα, ή τουλάχιστον όχι αρκετά για να κάνει επαφή.
- Στο σπίτι δεν υπάρχει ρεύμα.

Ο κύκλος πλυσίματος δεν ξεκινάει.

- Η πόρτα δεν είναι καλά κλειστή.
- Το κουμπί (⏏) δεν πατήθηκε.
- Το κουμπί START/RESET δεν πατήθηκε.
- η βρύση δεν είναι ανοικτή.
- Τέθηκε μια καθυστέρηση στον χρόνο εκκίνησης (Delay Timer, βλέπε σελ. 55).

Το πλυντήριο δεν φορτώνει νερό.

- Ο σωλήνας τροφοδοσίας του νερού δεν είναι συνδεδεμένος στον κρουνό.
- Ο σωλήνας είναι διπλωμένος.
- η βρύση δεν είναι ανοικτή.
- Στο σπίτι λείπει το νερό.
- Δεν υπάρχει αρκετή πίεση.
- Το κουμπί START/RESET δεν πατήθηκε.

Το πλυντήριο φορτώνει και αδειάζει νερό συνεχώς.

- Ο σωλήνας αδειάσματος δεν έχει εγκατασταθεί μεταξύ 65 και 100 cm από το έδαφος (βλέπε σελ. 51).
- Το άκρο του σωλήνα αδειάσματος είναι βυθισμένο στο νερό (βλέπε σελ. 51).
- Το επιτοίχιο άδειασμα δεν έχει απαέρωση.

Αν μετά από αυτούς τους ελέγχους το πρόβλημα δεν λύνεται, κλείστε τον κρουνό του νερού, σβήστε το πλυντήριο και καλέστε την Υποστήριξη. Αν η κατοικία βρίσκεται στους τελευταίους ορόφους ενός κτιρίου, μπορεί να διαπιστωθούν φαινόμενα σιφωνισμού, οπότε το πλυντήριο φορτώνει και αδειάζει νερό συνεχώς. Για την αντιμετώπιση του προβλήματος διατίθενται στο εμπόριο κατάλληλες βαλβίδες αντι-σιφωνισμού.

Το πλυντήριο δεν φορτώνει ή δεν στύβει.

- Το πρόγραμμα δεν προβλέπει το άδειασμα: με ορισμένα προγράμματα πρέπει να το ενεργοποιείτε χειροκίνητα (βλέπε σελ. 54).
- Είναι ενεργή η δυνατότητα λιγότερο Σιδέρωμα: για την ολοκλήρωση του προγράμματος πιέστε το κουμπί START/RESET (βλέπε σελ. 55).
- Ο σωλήνας αδειάσματος είναι διπλωμένος (βλέπε σελ. 51).
- Ο αγωγός αδειάσματος είναι βουλωμένος.

Το πλυντήριο δονείται πολύ κατά το στύψιμο.

- Ο κάδος, τη στιγμή της εγκατάστασης, δεν απασφαλίστηκε σωστά (βλέπε σελ. 50).
- Το πλυντήριο δεν είναι οριζοντιωμένο (βλέπε σελ. 50).
- Το πλυντήριο είναι στενά μεταξύ επίπλων και τοίχου (βλέπε σελ. 50).

Το πλυντήριο χάνει νερό.

- Ο σωλήνας τροφοδοσίας του νερού δεν είναι καλά βιδωμένος (βλέπε σελ. 50).
- Το συρταράκι απορρυπαντικών είναι βουλωμένο (για να το καθαρίσετε βλέπε σελ. 58).
- Ο σωλήνας αδειάσματος δεν έχει στερεωθεί καλά (βλέπε σελ. 51).

Η ενδεικτική λυχνία ΕΝΕΡΓΟΠΟΙΗΣΗ/ ΠΟΡΤΑ ΑΣΦΑΛΙΣΜΕΝΗ αναβοσβήνει γρήγορα και ταυτόχρονα με τουλάχιστον ένα άλλο ενδεικτική λυχνία.

- Σβήστε τη πλυντήριο και βγάλτε το βύσμα από την πρίζα, περιμένετε περίπου 1 λεπτό μετά ξαναβάψτε τη. Αν η ανωμαλία επιμένει, καλέστε την Υποστήριξη.

Σχηματίζεται πολύς αφρός.

- Το απορρυπαντικό δεν είναι ειδικό για πλυντήριο (πρέπει να υπάρχει η ένδειξη "για πλυντήριο", "για πλύσιμο στο χέρι και στο πλυντήριο", ή παρόμοια).
- Η δοσολογία υπήρξε υπερβολική.

Τεχνική Υποστήριξη

GR

Πριν καλέσετε την τεχνική υποστήριξη:

- Βεβαιωθείτε ότι δεν μπορείτε να επιλύσετε μόνοι σας το πρόβλημα *(βλέπε σελ. 59)*
- Επανεκκινήστε το πρόγραμμα για να ελέγξετε αν το πρόβλημα αντιμετωπίστηκε
- Σε αντίθετη περίπτωση, επικοινωνήστε με το εξουσιοδοτημένο τμήμα τεχνικής υποστήριξης που αναγράφεται στο πιστοποιητικό εγγύησης.

! Μην καταφεύγετε ποτέ σε μη εξουσιοδοτημένους τεχνικούς.

Γνωστοποιήστε:

- το είδος του προβλήματος
- το μοντέλο του μηχανήματος (Mod.)
- τον αριθμό σειράς (S/N).

Οι πληροφορίες αυτές βρίσκονται στην ταμπελίτσα που υπάρχει στο πίσω μέρος του πλυντηρίου.

Instruções para utilização

MÁQUINA DE LAVAR ROUPA

PT

PT

Português

WIXL 125

Sumário

Instalação, 50-51

Desembalar e nivelar, 50
Ligações hidráulicas e eléctricas, 50-51
Primeiro ciclo de lavagem, 51
Dados técnicos, 51

Descrição da máquina de lavar roupa, 52-53

Painel de comandos, 52
Indicadores luminosos, 53

Início e Programas, 54

Como iniciar um programa, 54
Tabela dos programas, 54

Personalizações, 55

Selecione a temperatura, 55
Selecione a centrifugação, 55
Funções, 55

Detergentes e roupa, 56

Gaveta dos detergentes, 56
Ciclo para branquear, 56
Preparar a roupa, 56
Roupas especiais, 56

Precauções e conselhos, 57

Segurança geral, 57
Eliminação, 57
Economizar e respeitar o meio ambiente, 57

Manutenção e cuidados, 58

Interromper a alimentação de água e de corrente eléctrica, 58
Limpar a máquina de lavar roupa, 58
Limpar a gaveta dos detergentes, 58
Cuidados com a porta de vidro e o tambor, 58
Limpar a bomba, 58
Verificar o tubo de alimentação de água, 58

Anomalias e soluções, 59

Assistência, 60

Antes de contactar a Assistência Técnica, 60



Instalação

PT

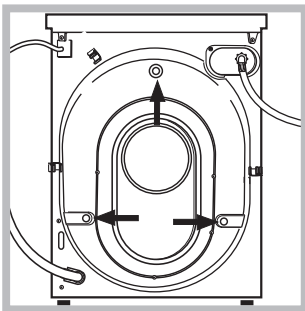
! É importante guardar este manual para poder consultá-lo a qualquer momento. Se a máquina for vendida, cedida ou transferida, certifique-se que este manual permaneça com a máquina para informar o novo proprietário acerca do seu funcionamento e das respectivas advertências.

! Leia com atenção estas instruções: contém informações importantes acerca da instalação, da utilização e da segurança.

Desembalar e nivelar

Desembalar

1. Tire a máquina de lavar roupa da embalagem.
2. Verifique se a máquina de lavar roupa sofreu danos no transporte. Se estiver danificada não efectue a sua ligação e contacte o revendedor.



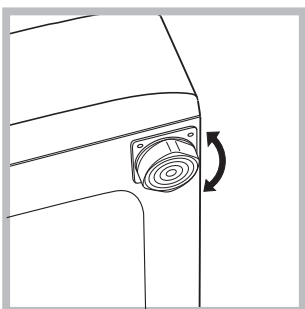
3. Tire os 3 parafusos para protecção no transporte e a borrachinha com o respectivo calço, situados na parte traseira (veja a figura).

4. Tampe os furos com as tampas em plástico fornecidas.
5. Guarde todas as peças: se for necessário transportar a máquina de lavar roupa, terão de ser montadas outra vez.

! Embalagens não são brinquedos para as crianças.

Nivelamento

1. Instale a máquina de lavar roupa sobre um pavimento plano e rígido, sem encostá-la a paredes, móveis ou outros.



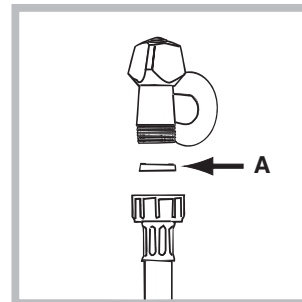
2. Se o pavimento não for perfeitamente horizontal, para compensar qualquer irregularidade, desatarraxe ou atarraxe os pés dianteiros (veja a figura); o ângulo de inclinação, medido no plano de trabalho, não deve ultrapassar 2°.

Um cuidadoso nivelamento dá estabilidade à máquina e evita vibrações, ruídos e deslocamentos durante o funcionamento. Se tiver tapete ou alcatifa, regule os pés de modo a que por baixo da máquina de lavar roupa haja espaço suficiente para ventilação.

Ligações hidráulicas e eléctricas

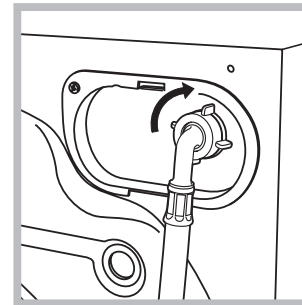
Ligação do tubo de alimentação da água

1. Coloque a guarnição A na ponta do tubo de alimentação e atarraxe-o a uma torneira de água fria com bocal de rosca de 3/4 (veja a figura).



Antes de realizar esta ligação, deixe a água escorrer até estar límpida.

2. Ligue o tubo de alimentação na máquina de lavar roupa atarraxado no apropriado fornecimento da água, na parte traseira, em cima à direita (veja a figura).



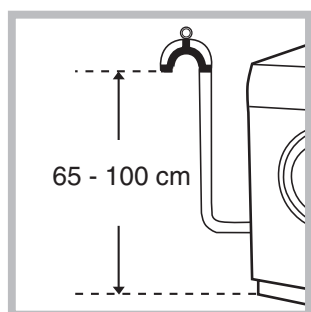
3. Tome cuidado para o tubo não ser dobrado nem esmagado.

! A pressão hídrica da torneira deve ser entre os valores da tabela dos dados técnicas (veja a página ao lado).

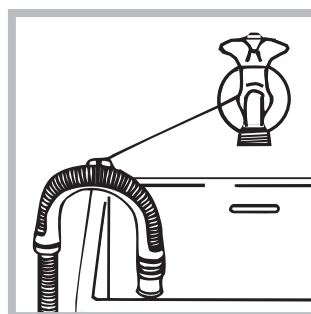
! Se o comprimento do tubo de alimentação não for suficiente, contacte uma oficina especializada ou um técnico autorizado.

! Nunca utilize tubos já usados.

Ligação do tubo de descarga



Ligue o tubo de descarga, sem dobrá-lo, a uma conduta de descarga ou a uma descarga na parede situada entre 65 e 100 cm. de altura do chão;



ou coloque na beira de um lavabo ou de uma banheira, prenda na torneira a guia fornecida (veja a figura). A ponta solta do tubo de descarga não deve permanecer emergida na água.

! É desaconselhado empregar tubos de extensão; mas se for indispensável, a extensão deve ter o mesmo diâmetro do tubo original e não medir mais de 150 cm. de comprimento.

Ligação eléctrica

Ante de ligar a ficha na tomada eléctrica, certifique-se que:

- a tomada tenha uma ligação à terra e que esteja nos termos da legislação;
- a tomada tem capacidade para suportar a carga máxima de potência da máquina, indicada na tabela de dados técnicos (veja ao lado);
- a tensão de alimentação seja entre os valores indicados na tabela de dados técnicos (veja ao lado);
- a tomada seja compatível com a ficha da máquina de lavar roupa. Se não for, substitua a tomada ou a ficha.

! Esta máquina de lavar roupa não deve ser instalada ao ar livre, nem mesmo abrigada, porque é muito perigoso deixá-la exposta à chuva e às tempestades.

! Depois de ter instalado a máquina de lavar roupa, o acesso à tomada eléctrica deve ser fácil.

! Não empregue extensões nem fichas múltiplas.

! O cabo não deve ser dobrado nem apertado.

! O cabo de alimentação deve ser substituído somente por técnicos autorizados.

Atenção! O fabricante declina toda a responsabilidade se estas regras não forem respeitadas.

Primeiro ciclo de lavagem

Depois da instalação, antes de usar, efectue um ciclo de lavagem com detergente mas sem roupa, defina o programa de 90°C sem pré-lavagem.

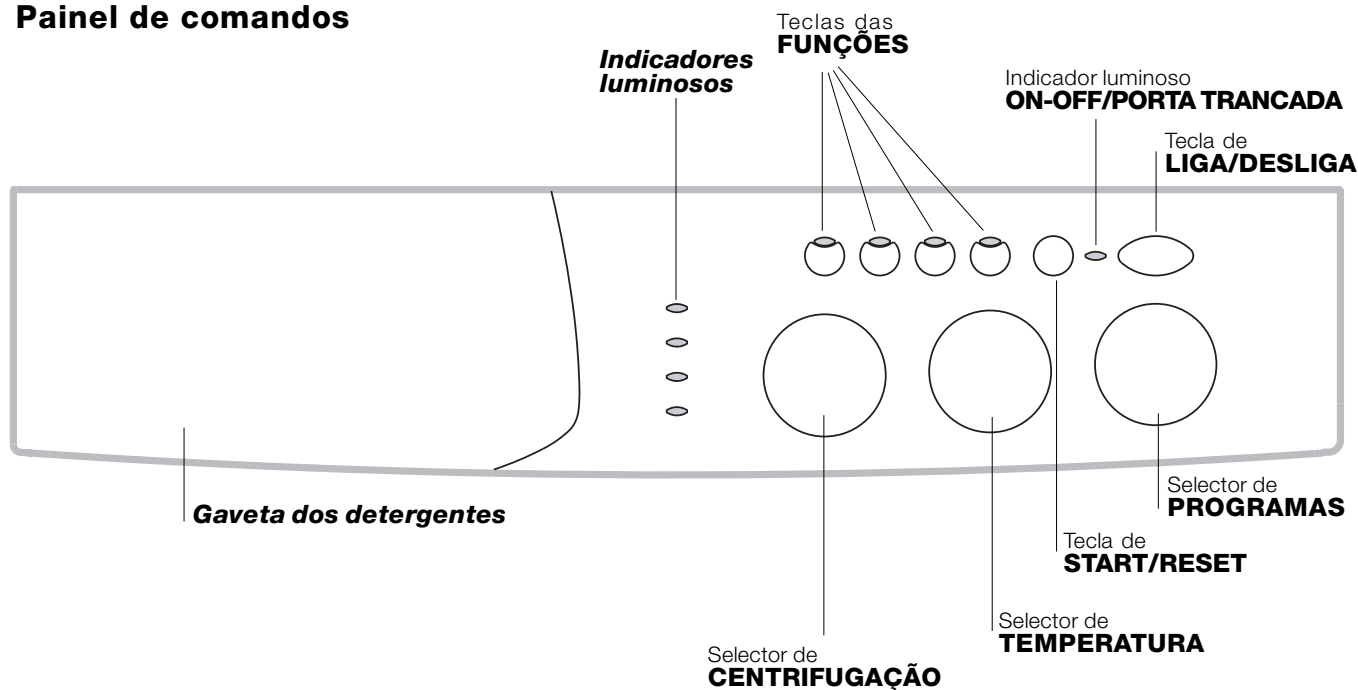
Dados técnicos

Modelo	WIXL 125
Medidas	largura 59,5 cm. altura 85 cm. profundidade 56,5 cm.
Capacidade	de 1 a 6 kg.
Ligações eléctricas	Veja a placa das características técnicas colocada na máquina.
Ligações hídricas	pressão máxima 1 MPa (10 bars) pressão mínima 0,05 MPa (0,5 bar) capacidade do tambor 52 litros
Velocidade da centrifugação	até 1.200 rotações por minuto
Programas de controlo segundo a norma EN 60456	programa 2; temperatura 60°C; realizado com carga de 6 kg.
 	Esta aparelhagem é em conformidade com as seguintes Directivas Comunitárias: - 89/336/CEE dl 03/05/89 (Compatibilidade Electromagnética) e posteriores modificações. - 2006/95/CE (Baixa Tensão) - 2002/96/CE

Descrição da máquina de lavar roupa

PT

Painel de comandos



Gaveta dos detergentes: para carregar detergentes e aditivos (veja a pág. 56).

Indicadores luminosos: Indicam a fase do programa de lavagem. Se tiver sido seleccionada a função Delay Timer, indicarão o tempo que falta para iniciar o programa (veja a pág. 53).

Selector de CENTRIFUGAÇÃO: para seleccionar a velocidade de centrifugação ou desactivá-la (veja a pág. 55).

Teclas das **FUNÇÕES:** para seleccionar as funções disponíveis. A tecla correspondente à função seleccionada permanecerá acesa.

Selector da **TEMPERATURA:** para definir a temperatura ou a lavagem a frio (veja a pág. 55).

Tecla de **START/RESET:** para iniciar os programas ou apagar programações erradas.

Indicador luminoso **ON-OFF /PORTA TRANCADA:** para saber se a máquina de lavar roupa está ligada e se é possível abri-la (veja a pág. 53).

Tecla **LIGA/DESLIGA:** para ligar e desligar a máquina de lavar roupa.

Selector de **PROGRAMAS:** para escolher os programas. Durante o programa o selector permanece parado.

Indicadores luminosos

Os indicadores luminosos fornecem informações importantes.

Vejamos o que significam:

Atraso definido:

Se tiver sido activada a função Delay Timer (veja a *pág. 55*), e após o início do programa, começará a lampejar o indicador luminoso relativo ao atraso seleccionado:



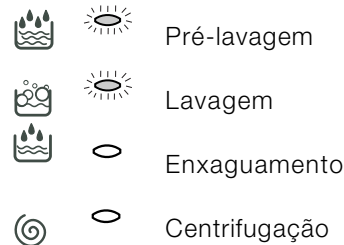
Com o passar do tempo será mostrado o atraso restante, mediante o respectivo indicador luminoso aceso e intermitente:



Depois de ter passado o tempo de atraso seleccionado, o indicador luminoso intermitente irá desligar-se e começará o programa estabelecido.

Fase em curso:

Durante o ciclo de lavagem os indicadores luminosos acender-se-ão progressivamente para indicar a fase do programa:



Observação: durante a fase de descarga acender-se-á o indicador luminoso correspondente à fase de Centrifugação.

Teclas das funções

AS TECLAS DAS FUNÇÕES também funcionam como indicadores luminosos.

Se seleccionar uma função a respectiva tecla acender-se-á.

Se a função seleccionada não for compatível com o programa definido, a tecla ficará intermitente e a função não será activada.

Se for seleccionada uma função incompatível com outra anteriormente seleccionada, permanecerá activa somente a última seleccionada.

Indicador luminoso ON-OFF/PORTA TRANCADA:

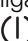
O indicador luminoso aceso indica que a porta está trancada para impedir aberturas acidentais; para evitar danos é necessário aguardar que o indicador luminoso esteja intermitente antes de abrir a porta.

! O indicador luminoso ON-OFF/PORTA TRANCADA piscando rápida e intermitentemente, juntamente com outro indicador luminoso indica uma anomalia (veja a *pág. 59*).

Início e Programas

PT

Como iniciar um programa

1. Para ligar a máquina de lavar roupa, carregue na tecla . Todos os indicadores luminosos acender-se-ão alguns segundos e, em seguida, se apagarão e o indicador luminoso ON-OFF/PORTA TRANCADA ficará intermitente.
2. Coloque dentro a roupa e feche.
3. Selecciona através do selector de PROGRAMAS o programa que desejar.
4. Selecciona a temperatura de lavagem (veja a pág. 55).

5. Selecciona a velocidade de centrifugação (veja a pág. 55).
6. Coloque o detergente e os aditivos (veja a pág. 56).
7. Para iniciar o programa carregue na tecla START/RESET.

Para anular mantenha pressionada a tecla START/RESET pelo menos 2 segundos.





8. No final do programa, o indicador luminoso ON-OFF/PORTA TRANCADA passará a intermitente para indicar que a porta pode ser aberta. Tire a roupa lavada de dentro e deixe a porta entreaberta para que o tambor seque. Para desligar a máquina de lavar roupa, carregue na tecla .

Tabela dos programas

Natureza dos tecidos e da sujidade	Programas	Temperatura	Detergente		Amaciador	Anti-mancha/Branqueador	Duração do ciclo (minutos)	Descrição do ciclo de lavagem
			pré-lav.	lavag.				
Padrão								
Branco muito sujos (lençóis, toalhas etc.)	1	90°C	•	•	•		167	Pré-lavagem, lavagem, enxaguamentos, centrifugações intermediárias e final
Branco muito sujos (lençóis, toalhas etc.)	2	90°C		•	•	Delicada / Tradicional	152	Lavagem, enxaguamentos, centrifugações intermediárias e final
Branco e coloridos resistentes muito sujos	2	60°C		•	•	Delicada / Tradicional	150	Lavagem, enxaguamentos, centrifugações intermediárias e final
Branco e coloridos delicados muito sujos	2	40°C		•	•	Delicada / Tradicional	142	Lavagem, enxaguamentos, centrifugações intermediárias e final
Branco pouco sujos e cores delicadas (camisas, camisolas etc.)	3	40°C		•	•	Delicada / Tradicional	99	Lavagem, enxaguamentos, centrifugações intermediárias e final
Coloridos resistentes muito sujos (roupas de bebé etc.)	4	60°C		•	•	Delicada	80	Lavagem, enxaguamentos, anti-dobras ou centrifugação delicada
Coloridos resistentes muito sujos (roupas de bebé etc.)	4	40°C		•	•	Delicada	71	Lavagem, enxaguamentos, anti-dobras ou centrifugação delicada
Cores delicadas (roupas de todos os tipos ligeiramente sujas)	5	40°C		•	•	Delicada	71	Lavagem, enxaguamentos, anti-dobras ou centrifugação delicada
Lã	6	40°C		•	•		50	Lavagem, enxaguamentos, centrifugação delicada
Tecidos muito delicados (cortinas, seda, viscose etc.)	7	30°C		•	•		52	Lavagem, enxaguamentos, anti-dobras ou descarga
Time 4 you								
Branco e coloridos resistentes muito sujos	8	60°C		•	•		60	Lavagem, enxaguamentos, centrifugações intermediárias e final
Branco pouco sujos e cores delicadas (camisas, camisolas etc.)	9	40°C		•	•		50	Lavagem, enxaguamentos, centrifugações intermediárias e final
Cores delicadas (roupas de todos os tipos ligeiramente sujas)	10	40°C		•	•		40	Lavagem, enxaguamentos e centrifugação delicada
Cores delicadas (roupas de todos os tipos ligeiramente sujas)	11	30°C		•	•		30	Lavagem, enxaguamentos e centrifugação delicada
Desporto								
Calçados desportivos (MÁX. 2 pares.)	12	30°C		•	•		50	Lavagem a frio (sem detergente), lavagem, enxaguamentos e centrifugação delicada
Tecidos de vestuário desportivo (fatos de treino, calções etc.)	13	30°C		•	•		63	Lavagem, enxaguamentos, centrifugações intermediárias e final
PROGRAMAS PARCIAIS								
Enxaguamento					•	Delicada / Tradicional		Enxaguamentos e centrifugação
Centrifugação								Descarga e centrifugação
Descarga								Descarga

Observações

-Para os programas 8 - 9 é aconselhável que a roupa a ser lavada não ultrapasse 3,5 kg.

-Para o programa 13 é aconselhável não ultrapassar uma carga de 2 kg. de roupa.

-Para seleccionar a opção anti-rugas: veja Engomar Fácil, na página ao lado. Os dados apresentados na tabela têm valor indicativo.

Programa especial

Diário 30' (programa 11 para Sintéticos) foi estudado para lavar peças levemente sujas em pouco tempo; dura apenas 30 minutos e, desta maneira, economiza energia e tempo. Se regular o programa (11 a 30°C) será possível lavar juntos tecidos de natureza diferente (excepto lã e seda), com uma carga máxima de 3 Kg.

Aconselhamos a utilização de detergente líquido.

Selecione a temperatura

Gire o selector da TEMPERATURA para seleccionar a temperatura de lavagem (veja a Tabela dos programas na pág. 54). A temperatura pode ser diminuída até à lavagem a frio (❄).

PT

Selecione a centrifugação

Gire o selector da CENTRIFUGAÇÃO para seleccionar a velocidade de centrifugação do programa seleccionado. Indicamos de seguida, a velocidade máxima consoante o programa seleccionado:

Programas	Velocidade máxima
Algodão	1000 rotações por minuto
Sintéticos	800 rotações por minuto
Lã	600 rotações por minuto
Seda	não centrifugar

A velocidade de centrifugação pode ser diminuída, ou excluída se seleccionar o símbolo (⊘).

A máquina impedirá automaticamente a realização de uma centrifugação superior à máxima de cada um dos programas.

Nota. Para evitar vibrações excessivas, antes de cada centrifugação, a máquina distribui a carga de maneira uniforme, isto é realizado efectuando rotações contínuas do tambor a uma velocidade ligeiramente superior à da lavagem.

Quando, apesar de várias tentativas, a carga não estiver perfeitamente distribuída, a máquina efectuará a centrifugação a uma velocidade inferior à programada.

Em presença de desequilíbrio excessivo, a máquina efectua a distribuição em vez da centrifugação.





As eventuais tentativas de equilibrar podem alongar a duração total do ciclo até 10 minutos no máximo.

Funções

As várias funções de lavagem da máquina de lavar roupa possibilitam obter a máxima limpeza e branquear o que desejar. Para activar as funções:

1. carregue na tecla correspondente à função que desejar, segundo a tabela abaixo;
2. a respectiva tecla acende-se para avisar que a função está activa.

Observação: Se a tecla acender intermitentemente, significa que a respectiva função não pode ser seleccionada para o programa definido.

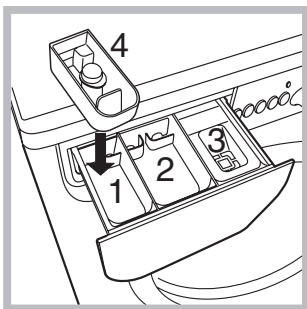
Funções	Efeito	Observações para utilização	Possível nos programas:
 Delay Timer	Possibilita a programação do início da lavagem até 9 horas.	Carregue várias vezes na tecla até acender o indicador luminoso correspondente ao atraso desejado. A quinta vez que carregar na tecla, a função desactivar-se-á. Obs.: Depois de ter carregado na tecla Start/Reset, é possível mudar o valor do atraso, mas somente para diminuí-lo.	Todos
 Anti-mancha	Ciclo branqueador adequado para eliminar as nódoas mais resistentes.	Coloque lixívia na gaveta adicional 4 (veja a pág.56). Não é compatível com a função ENGOMAR FÁCIL.	2, 3, 4, 5, Enxaguamentos
 Engomar Fácil	O tecido sairá menos amarrutado e mais fácil de engomar.	Se esta função for seleccionada, os programas 4, 5, 7 interromper-se-ão, ficando a roupa de molho (Anti-rugas) e o indicador luminoso da fase Enxaguamento (👑) acenderá intermitentemente: - para completar o ciclo carregue na tecla START/RESET; - para efectuar apenas uma descarga, coloque o selector no correspondente símbolo (👉) e carregue na tecla START/RESET. Não é compatível com a função ANTI-MANCHA.	3, 4, 5, 7, 8, 9, 10, Enxaguamentos
 Enxaguamento Extra	Aumenta a eficácia do enxaguamento	É aconselhável se a máquina de lavar roupa estiver muito cheia ou com uma grande dose de detergente.	1, 2, 3, 4, 5, 8, 9, 10, 12, 13, Enxaguamentos

Detergentes e roupa

PT

Gaveta dos detergentes

O bom resultado da lavagem depende também do uso da dose certa de detergente: com excessos não se lava melhor, e contribui-se quer para a formação de incrustações nas peças internas da máquina de lavar, quer para a poluição do meio ambiente.



Tire a gaveta dos detergentes e deite o detergente ou o aditivo da seguinte maneira:

gaveta 1: Detergente para pré-lavagem (em pó)

Antes de deitar detergente verifique se está lá dentro a gaveta adicional 4.

gaveta 2: Detergente para lavagem (em pó ou líquido)

O detergente líquido deve ser colocado depois da máquina ter iniciado a lavagem.

gaveta 3: Aditivos (amaciador, etc.)

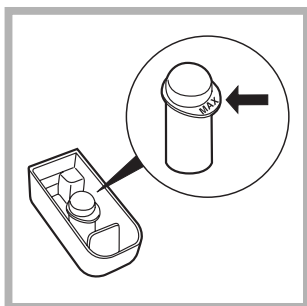
O amaciador não deve ultrapassar a rede.

gaveta adicional 4: Lixívia


! Não use detergentes para lavagem à mão, porque fazem demasiada espuma.

Ciclo para branquear

! A Lixívia **tradicional** pode ser utilizada para tecidos resistentes brancos, enquanto que a **delicada** pode ser utilizada para tecidos coloridos, sintéticos e para lã.



Coloque a gaveta adicional 4, fornecida, na gaveta 1. Quando deitar a lixívia, certifique-se de que não ultrapasse o nível "máx." indicado no pino central (veja a figura).

Para branquear somente, deite lixívia na gaveta adicional 4, escolha o programa Enxaguamento  e a função Enxaguamento Extra .

Para branquear durante a lavagem deite detergente e os aditivos, defina o programa que desejar e seleccione a função Anti-mancha (veja a pág. 31).

Se utilizar a gaveta adicional 4 exclua a pré-lavagem.

Preparar a roupa

- Separe a roupa em função:
 - do tipo de tecido / do símbolo na etiqueta.
 - as cores: separe as peças coloridas das brancas.
- Esvazie as algibeiras e verifique se há botões soltos.
- Não ultrapasse os valores indicados referentes ao peso da roupa enxuta:
 - Tecidos resistentes: máx. 5 kg.
 - Tecidos sintéticos: máx. 2,5 kg.
 - Tecidos delicados: máx. 2 kg.
 - Lã máx. 1 kg.

Quanto pesa a roupa?

- 1 lençol 400 - 500 g.
- 1 fronha 150 - 200 g.
- 1 toalha de mesa 400 - 500 g.
- 1 roupão 900 - 1.200 g.
- 1 toalha de rosto 150 - 250 g.

Roupas especiais

Cortinas: dobre-as bem e coloque-as dentro de uma fronha ou de um saquinho de rede. Lave-as separadas, sem ultrapassar a meia carga. Utilize o programa 7 que exclui automaticamente a centrifugação.

Edredões e anoraques: se forem acolchoadas com penas de ganso ou pato, podem ser lavados na máquina de lavar roupa. Vire as peças do avesso e coloque no máximo de 2-3 kg., repita o enxaguamento uma ou duas vezes e utilize a centrifugação delicada.

Lã: para obter os melhores resultados, utilize um detergente específico e não ultrapasse 1 kg. de carga.

! Esta máquina de lavar roupa foi projectada e fabricada em conformidade com os regulamentos internacionais de segurança. Estas advertências são fornecidas por razões de segurança e devem ser lidas com atenção.

Segurança geral

- Este aparelho foi projectado para um uso doméstico.
- Esta máquina de lavar roupa deve ser utilizada somente por pessoas adultas e conforme as instruções apresentadas neste manual.
- Não toque na máquina com os pés descalços nem com as mãos ou os pés molhados ou húmidos.
- Não puxe o cabo eléctrico para tirar a ficha da tomada, pegue somente na ficha.
- Não abra a gaveta dos detergentes enquanto a máquina estiver a funcionar.
- Não toque na água de descarga, pois poderá estar muito quente.
- Em nenhum caso force a porta para abri-la: poderá danificar o mecanismo de segurança que a protege contra aberturas acidentais.
- Se houver avarias, não mexa em caso algum nos mecanismos internos para tentar reparar.
- Verifique sempre que as crianças não se aproximem da máquina em funcionamento.
- Durante a lavagem a porta de vidro tende a aquecer.
- Se for preciso deslocar a máquina, são precisas pelo menos duas ou três pessoas, não tente fazê-lo sozinho porque a máquina é muito pesada.
- Antes de colocar a roupa verifique se o tambor está vazio.

Eliminação

• Recolha dos electrodomésticos
A directiva Europeia 2002/96/CE referente à gestão de resíduos de aparelhos eléctricos e electrónicos (RAEE), prevê que os electrodomésticos não devem ser escoados no fluxo normal dos resíduos sólidos urbanos. Os aparelhos desactualizados devem ser recolhidos separadamente para otimizar a taxa de recuperação e reciclagem dos materiais que os compõem e impedir potenciais danos para a saúde humana e para o ambiente. O símbolo constituído por

um contentor de lixo barrado com uma cruz deve ser colocado em todos os produtos por forma a recordar a obrigatoriedade de recolha separada.

Os consumidores devem contactar as autoridades locais ou os pontos de venda para solicitar informação referente ao local apropriado onde devem depositar os electrodomésticos velhos.

- Eliminação de um máquina de lavar roupa velha: antes de eliminá-la, para torná-la inutilizável, corte o cabo de alimentação eléctrica e desmonte a porta de vidro.

Economizar e respeitar o meio ambiente

Tecnologia ao serviço do meio ambiente

Se pela porta de vidro notar pouca água é porque, com a nova tecnologia Indesit, é suficiente menos de metade da água para se obter a limpeza máxima: uma meta atingida para respeitar o meio ambiente.

Economizar detergente, água, energia e tempo

- Para não desperdiçar recursos, é necessário utilizar a máquina de lavar roupa com a carga máxima. Uma carga plena em vez de duas cargas pela metade permite economizar até 50% de energia.
- A pré-lavagem só é necessária para roupa muito suja. Evite-a para economizar detergente, tempo, água e entre 5 e 15% de energia.
- Trate as nódoas com um produto anti-nódoas ou deixe de molho antes de lavar, desta maneira diminui a necessidade de lavar com altas temperaturas. Um programa a 60°C em vez de 90°C ou a 40°C em vez de 60°C, economiza até 50% de energia.
- Se dosear bem o detergente em função da dureza da água, do nível de sujidade e da quantidade de roupa, evitará desperdícios e protegerá o meio ambiente: mesmo os detergentes biodegradáveis contêm componentes que alteram o equilíbrio da natureza. Evite sempre que possível o uso de amaciador.
- Lavar desde o fim da tarde até as primeiras horas da manhã ajuda a diminuir a carga de absorção das empresas eléctricas. Com a opção Delay Timer (veja a pág. 55) pode programar lavagens desta maneira.
- Se for secar a roupa num secador, seleccione uma velocidade de centrifugação mais alta. Se houver pouca água na roupa economizará tempo e energia no programa de secagem.

Manutenção e cuidados

PT

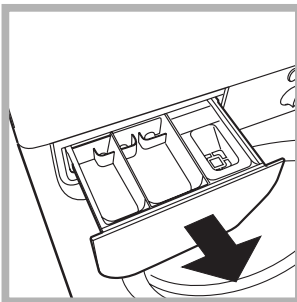
Interromper a alimentação de água e de corrente eléctrica

- Feche a torneira da água depois de cada lavagem. Desta maneira diminui-se o desgaste do sistema hidráulico da máquina de lavar roupa e elimina-se o risco de inundação.
- Tire a ficha da tomada eléctrica quando for limpar a máquina de lavar roupa e durante os trabalhos de manutenção.

Limpar a máquina de lavar roupa

A parte externa e as peças em borracha podem ser limpas com um pano molhado com água morna e sabão. Não empregue solventes nem abrasivos.

Limpar a gaveta dos detergentes



Para tirar a gaveta, puxe-a para fora (veja a figura). Lave-a com água corrente; esta limpeza deve ser efectuada frequentemente.

Cuidados com a porta de vidro e o tambor

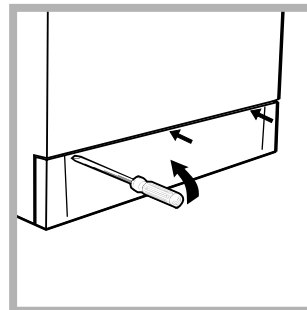
- Deixe a porta sempre entreaberta para evitar que se formem odores desagradáveis.

Limpar a bomba

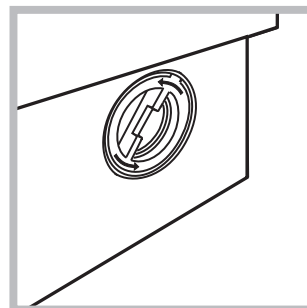
Esta máquina de lavar roupa é equipada com uma bomba com limpeza automática que não precisa de operações de manutenção. Entretanto pode acontecer que pequenos objectos (moedas, botões) caiam na pré-câmara que protege a bomba, situada na parte inferior da mesma.

! Certifique-se que o ciclo de lavagem tenha terminado e tire a ficha da tomada.

Para obter acesso à pré-câmara:



1. tire o painel de cobertura da parte dianteira da máquina de lavar roupa com ajuda de uma chave de fendas (veja a figura);



2. para desenroscar a tampa gire-a na direcção contrária aos ponteiros do relógio (veja a figura): é normal que perca um pouco de água;

3. limpe o interior com cuidado;
4. enrosque outra vez a tampa;
5. monte outra vez o painel, certifique-se, antes de empurrar a máquina, que os ganchos foram colocados nas respectivas ranhuras.

Verificar o tubo de alimentação de água

Verifique o tubo de alimentação pelo menos uma vez por ano. Se houver rachas ou fendas, será necessário substituí-lo: durante as lavagens as fortes pressões podem dar origem a estas situações.

! Nunca utilize tubos já usados.

Pode acontecer que a máquina de lavar roupa não funcione. Antes de telefonar para a Assistência Técnica (veja a pág. 60), verifique que não se trata de um problema fácil de resolver com ajuda da seguinte lista:

Anomalias:

A máquina de lavar roupa não liga.

O ciclo de lavagem não inicia.

A máquina de lavar roupa não carrega água.

A máquina de lavar roupa carrega e descarrega água continuamente.

A máquina de lavar roupa não descarrega ou nem realiza centrifugação.

A máquina de lavar roupa vibra muito durante a centrifugação.

Da máquina de lavar roupa está a perder água.

Se o indicador luminoso ON-OFF/PORTA TRANCADA piscar rápida e intermitentemente ao mesmo tempo, que pelo menos outro indicador luminoso.

Está a formar-se demasiada espuma.

Possíveis causas / Solução:

- A ficha não está colocada na tomada eléctrica, ou não o suficiente para haver contacto.
 - Em casa não há corrente.
 - A porta da máquina não está bem fechada.
 - A tecla (I) não foi pressionada.
 - A tecla START/RESET não foi pressionada.
 - A torneira da água não está aberta.
 - Foi programado um início posterior (Delay Timer, veja a pág. 55).
 - O tubo de alimentação de água não está ligado à torneira.
 - O tubo está dobrado.
 - A torneira da água não está aberta.
 - Está a faltar água em casa.
 - Não há pressão suficiente.
 - A tecla START/RESET não foi pressionada.
 - O tubo de descarga não está instalado entre 65 e 100 cm. de altura do chão (veja a pág. 51).
 - A ponta do tubo de descarga está emergida na água (veja a pág. 51).
 - A descarga na parede não tem ventilação de ar.
- Se depois destas verificações o problema não for resolvido, feche a torneira da água, desligue a máquina de lavar roupa e chame a assistência técnica. Se a sua casa é nos últimos andares de um edifício, é possível que aconteçam fenómenos de sifão, e por isso a máquina de lavar roupa carrega e descarrega água continuamente. Para eliminar este inconveniente, há à venda no mercado válvulas apropriadas contra o efeito sifão.
- O programa não faz a descarga: com alguns programas será necessário iniciar a descarga manualmente (veja a pág. 54).
 - Está activada a opção Engomar Fácil: para completar o programa carregue na tecla START/RESET (veja a pág. 55).
 - O tubo de descarga está dobrado (veja a pág. 51).
 - A conduta de descarga está entupida.
 - O tambor, no momento da instalação, não foi liberado correctamente (veja a pág. 50).
 - A máquina de lavar roupa não está nivelada (veja a pág. 50).
 - A máquina de lavar roupa está apertada entre móveis e parede (veja a pág. 50).
 - O tubo de alimentação da água não está bem enroscado (veja a pág. 50).
 - O gaveta dos detergentes está entupida (para limpá-la veja a pág. 58).
 - O tubo de descarga não está bem preso (veja a pág. 51).
 - Desligue a máquina e tire a ficha da tomada, aguarde aproximadamente 1 minuto e volte a ligá-la.
Se a anomalia persistir, contacte a Assistência Técnica.
 - O detergente não é específico para máquina de lavar roupa (deve haver a escrita "para máquina de lavar", "à mão e para máquina de lavar" ou similares).
 - A dose de detergente foi excessiva.

Assistência

PT

Antes de contactar a Assistência Técnica:

- Verifique se consegue resolver a anomalia (*veja a pág. 59*);
- Reinicie o programa para verificar se o inconveniente foi resolvido;
- Em caso negativo, contacte a assistência técnica autorizada no número de telefone indicado no certificado de garantia.

! Nunca recorra a técnicos não autorizados.

Comunique:

- o tipo de anomalia;
- o modelo da máquina (Mod.);
- o número de série (S/N).

Estas informações encontram-se na placa colocada na parte traseira da máquina de lavar roupa.

NL

Nederlands

WIXL 125

NL

Inhoud

Installatie, 62-63

Uitpakken en waterpas zetten, 62
Water- en elektrische aansluiting, 62-63
Eerste wasprogramma, 63
Technische gegevens, 63

Beschrijving van de wasmachine, 64-65

Bedieningspaneel, 64
Controlelampjes, 65

Start en programma's, 66

In het kort: een programma starten, 66
Tabel van de programma's, 66

Persoonlijk instellen, 67

Instellen van de temperatuur, 67
Instellen van de centrifuge, 67
Functies, 67

Wasmiddel en wasgoed, 68

Wasmiddellaatje, 68
Bleekprogramma, 68
Prepareren van het wasgoed, 68
Speciale stukken, 68

Voorzorgsmaatregelen en raadgevingen, 69

Algemene veiligheid, 69
Het afvoeren, 69
Bezuiniging en bescherming van het milieu, 69

Onderhoud, 70

Afsluiten van water en stroom, 70
Schoonmaken van de wasmachine, 70
Het wasmiddellaatje schoonmaken, 70
Reinigen van deur en trommel, 70
Reinigen van de pomp, 70
Controleer de slang van de watertoevoer, 70

Storingen en oplossingen, 71

Service, 72

Voordat u er de installateur bijhaalt, 72

Installatie

NL

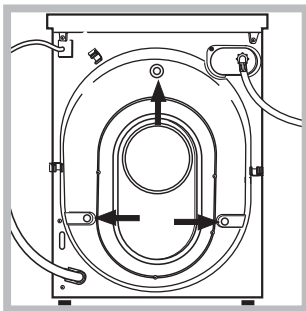
! Het is belangrijk dit boekje te bewaren zodat u het kunt raadplegen wanneer u maar wilt. In het geval dat u de machine verkoopt, of u verhuist, moet het boekje bij de machine blijven zodat de nieuwe gebruiker de functies en betreffende raadgevingen kan leren kennen.

! Lees de instructies met aandacht: u vindt er belangrijke informatie betreffende het installeren, gebruik en veiligheid.

Uitpakken en waterpas zetten

Uitpakken

1. Pak de wasmachine uit.
2. Controleer of de wasmachine geen schade heeft geleden gedurende het vervoer. Indien dit wel het geval is moet hij niet worden aangesloten en moet u contact opnemen met de handelaar.



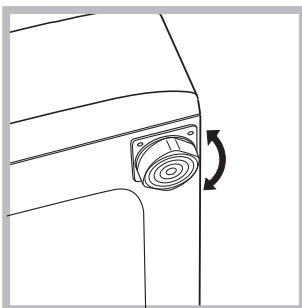
3. Verwijder de 3 transportbouten met de rubberen ring en bijbehorende afstandstukken die zich aan de achterkant bevinden (zie afbeelding).

4. Sluit de gaten af met de bijgeleverde plastic doppen.
5. Bewaar alle stukken: mocht de wasmachine ooit worden vervoerd, dan moeten deze weer worden aangebracht.

! Het verpakkingsmateriaal is geen speelgoed voor kinderen.

Waterpassen

1. Installeer de wasmachine op een rechte en stevige vloer en laat hem niet leunen tegen een muur, meubel of dergelijken.

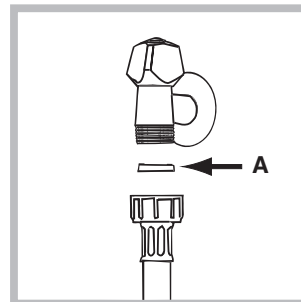


2. Als de vloer niet perfect horizontaal is kunt u de onregelmatigheid opheffen door de stelvoetjes aan de voorkant in- of uit te schroeven (zie afbeelding); de hoek, gemeten ten opzichte van de aanrecht, mag de 2° niet overschrijden.

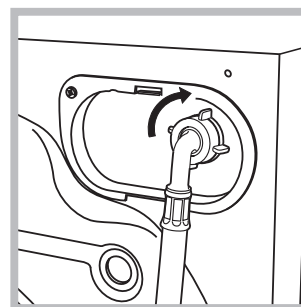
Een correcte waterpas geeft de machine stabiliteit en vermijdt trillingen, lawaai en het zich verplaatsen gedurende het functioneren van de machine. In het geval van vaste vloerbedekking of een tapijt regelt u de stelvoetjes zodanig dat onder de wasmachine genoeg plaats is voor ventilatie.

Water- en elektrische aansluiting

Aansluiting van de watertoevoerslang



1. Plaats de pakking A op het uiteinde van de waterslang en schroef hem op een koudwaterkraan met een mondstuk met schroefdraad van 3/4 gas (zie afbeelding). Voordat u hem aansluit moet u het water laten lopen totdat het helder is.



2. Verbind de slang aan de wasmachine door hem op de betreffende watertoevoer aan te schroeven, rechtsboven aan de achterkant (zie afbeelding).

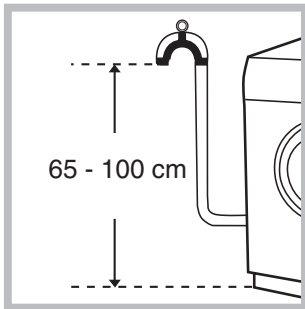
3. Let erop dat er geen knellingen of kronkels in de slang zijn.

! De waterdruk van de kraan moet binnen de waarden van de tabel Technische Gegevens liggen (zie bladzijde hiernaast).

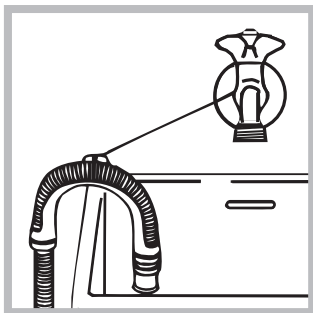
! Als de slang niet lang genoeg is moet u zich wenden tot een gespecialiseerde handelaar of een bevoegde installateur.

! Nooit reeds eerder gebruikte slangen gebruiken.

Aansluiting van de afvoerbuis



Verbind de buis, zonder hem te buigen, aan een afvoerleiding of aan een afvoer in de muur tussen 65 en 100 cm van de grond af;



of hang hem op de rand van een wasbak of bad, en bind de bijgeleverde leiding aan de kraan (zie afbeelding). Het uiteinde van de afvoerslang mag niet onder water hangen.

! Gebruik geen verlengstuk voor de slang ; indien dit niet te vermijden is moet het verlengstuk dezelfde doorsnee hebben als de originele slang en hij mag niet langer zijn dan 150 cm.

Elektrische aansluiting

Voordat u de stekker in het stopcontact steekt moet u zich ervan verzekeren dat:

- het stopcontact geaard is en voldoet aan de geldende normen;
- het stopcontact het maximum vermogen van de machine kan verdragen, zoals aangegeven in de tabel Technische Gegevens (zie hiernaast);
- het voltage correspondeert met de waarden die zijn aangegeven in de tabel Technische Gegevens (zie hiernaast);
- het stopcontact geschikt is voor de stekker van de machine. Indien dit niet zo is moet de stekker of het stopcontact vervangen worden.

! De wasmachine mag niet buiten worden geïnstalleerd, ook niet op een plaats die beschermd is, aangezien het gevaarlijk is hem aan regen en onweer bloot te stellen.

! Als de wasmachine is geïnstalleerd moet het stopcontact gemakkelijk te bereiken zijn.

! Gebruik geen verlengsnoeren of dubbelstekkers.

! Het snoer mag niet in bochten of geknikt liggen.

! De voedingskabel mag alleen door een bevoegde installateur worden vervangen.

Belangrijk! De fabrikant is niet aansprakelijk wanneer deze normen niet gerespecteerd zijn.

Eerste wasprogramma

Voordat u de machine gaat gebruiken moet u hem een wascycle laten uitvoeren met wasmiddel maar zonder wasgoed, met het programma van 90° zonder voorwassen.

Technische gegevens

Model	WIXL125
Afmetingen	breedte cm 59,5 hoogte cm 85 diepte cm 56,5
Vermogen	van 1 tot 6 kg
Elektrische aansluitingen	Zie het typeplaatje met de technische eigenschappen dat op het apparaat is bevestigd.
Aansluiting waterleiding	max. druk 1 MPa (10 bar) min. druk 0,05 MPa (0,5 bar) Inhoud trommel 52 liters
Snelheid centrifuge	tot 1200 toeren per minuut
Controle-programma's volgens de norm EN 60456	programma 2; temperatuur 60°C; uitgevoerd met 6 kg lading.

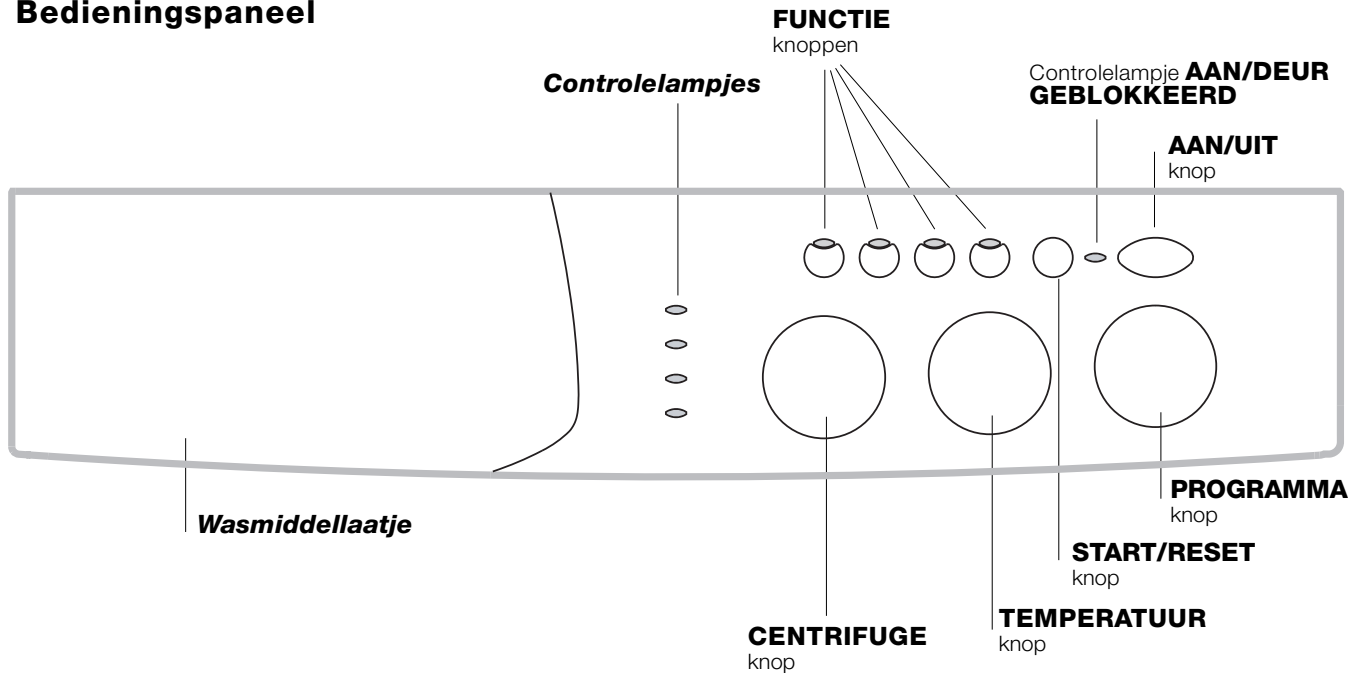


Deze apparatuur voldoet aan de volgende EEC voorschriften:
-89/336/EEC van 03/05/89
(Elektromagnetische compatibiliteit) en successievelijke modificaties
- 2006/95/CE (Laagspanning)
- 2002/96/CE

Beschrijving van de wasmachine

NL

Bedieningspaneel



Wasmiddellaatje: voor wasmiddel en verdere toevoegingen (zie blz. 68).

Controlelampjes: voor het volgen van het verloop van het wasprogramma. Als de functie Delay Timer is ingesteld, wordt de resterende tijd aangegeven tot het starten van het programma (zie blz. 65).

CENTRIFUGE knop: voor het instellen of uitschakelen van de centrifuge (zie blz. 67).

FUNCTIE knoppen: voor het kiezen van de functies. De knop van de gekozen functie blijft verlicht.

TEMPERATUUR knop: voor het instellen van de temperatuur of koud wassen (zie blz. 67).

START/RESET knop: voor het starten van de programma's of voor het annuleren als u per ongeluk verkeerd heeft ingesteld.

Controlelampje AAN/DEUR GEBLOKKEERD: geeft aan of de wasmachine aan is en of de deur geopend kan worden (zie blz. 65).

AAN/UIT knop: voor het in- en uitschakelen van de wasmachine.

PROGRAMMA knop: voor het kiezen van de programma's. Gedurende het programma blijft de knop stilstaan.

Controlelampjes

De controlelampjes geven belangrijke informatie. Ze geven aan:

Uitgestelde start ingesteld:

Als de functie Delay Timer is geactiveerd (zie blz. 67), nadat het programma is gestart, gaat het controlelampje dat bij de uitgestelde start hoort knipperen:



Naar gelang de terugloop van de tijd wordt, met het knipperen van het betreffende controlelampje de resterende tijd aangegeven:



Als de gekozen wachttijd is afgelopen gaat het knipperende controlelampje uit en begint het ingestelde programma te lopen.

Fase die bezig is:

Gedurende het verloop van het wasprogramma gaan de controlelampjes een voor een aan om aan te tonen met welk programmaonderdeel de machine bezig is:



N.B.: gedurende het afpompen gaat het controlelampje dat bij de fase Centrifugeren hoort branden.

Functie-knoppen

De FUNCTIE-KNOPPEN dienen ook als controlelampjes.

Als u een functie kiest wordt de bijbehorende knop verlicht.

Als de gekozen functie niet bij het ingestelde programma hoort gaat de knop knipperen en de functie wordt niet geactiveerd.

Als een functie wordt ingesteld die niet past bij een andere eerder ingestelde functie, dan blijft alleen de laatste keuze actief.

Controlelampje AAN/DEUR GEBLOKKEERD:

Als het controlelampje brandt dan betekent dit dat de deur geblokkeerd is. Dit om te voorkomen dat hij per ongeluk geopend zou worden; om schade te voorkomen moet u wachten tot het controlelampje knippert. Dan pas kunt u de deur opentrekken.

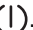
! Als het controlelampje van AAN/DEUR GEBLOKKEERD snel knippert tegelijkertijd met minstens één ander controlelampje dan betekent dit dat er een storing is (zie blz. 71).

Start en Programma's




NL

In het kort: een programma starten

- Schakel de wasmachine in met de knop . Alle controlelampjes branden gedurende enkele seconden, gaan vervolgens uit en het controlelampje AAN/DEUR GEBLOKKEERD gaat knipperen.
- Laad het wasgoed in en sluit de deur.
- Stel het gewenste programma in met de knop PROGRAMMA'S.
- Stel de wastemperatuur in (zie blz. 67).

- Stel de centrifugesnelheid in (zie blz. 67).
 - Giet het wasmiddel en verdere toevoegingen in het laatje (zie blz. 68).
 - Start het programma met de START/RESET knop. Voor het annuleren houdt u de START/RESET knop minstens 2 seconden ingedrukt.
 - Aan het einde van het programma gaat het controlelampje AAN/DEUR GEBLOKKEERD knipperen hetgeen betekent dat de deur geopend kan worden. Haal het wasgoed eruit en laat de deur op een kier staan zodat de trommel kan drogen.
- Schakel de wasmachine uit met de knop .

Tabel van de programma's

Soort stof en vuil	Programma's	Temperatuur	Wasmiddel		Wasverzachter	Optie Bleken/Blekmiddel	Duur van het wasprogramma (min.)	Beschrijving wasprogramma
			voor-was	Hoofdwass				
Standaard								
Zeer vuile witte was (lakens, tafellakens enz.)	1	90°C	•	•	•		167	Voorwas, hoofdwass, spoelingen, tussen - en eindcentrifuge
Zeer vuile witte was (lakens, tafellakens enz.)	2	90°C		•	•	Delicaat Traditioneel	152	Hoofdwass, spoelingen, tussen - en eindcentrifuge
Zeer vuil wit en gekleurd wasgoed	2	60°C		•	•	Delicaat Traditioneel	150	Hoofdwass, spoelingen, tussen - en eindcentrifuge
Zeer vuile witte en gekleurde fijne was	2	40°C		•	•	Delicaat Traditioneel	142	Hoofdwass, spoelingen, tussen - en eindcentrifuge
Weinig vuil wit wasgoed en fijn gekleurd wasgoed (overhemden, truien enz.)	3	40°C		•	•	Delicaat Traditioneel	99	Hoofdwass, spoelingen, tussen - en eindcentrifuge
Zeer vuile kleurvaste stoffen (babygoed enz.)	4	60°C		•	•	Delicaat	80	Hoofdwass, spoelingen, kreukvrij of delicate centrifuge
Zeer vuile kleurvaste stoffen (babygoed enz.)	4	40°C		•	•	Delicaat	71	Hoofdwass, spoelingen, kreukvrij of delicate centrifuge
Licht gekleurde stoffen (ieder soort weinig vuil wasgoed)	5	40°C		•	•	Delicaat	71	Hoofdwass, spoelingen, kreukvrij of delicate centrifuge
wol	6	40°C		•	•		50	Hoofdwass, spoelingen, delicate centrifuge
Speciaal fijne stoffen (gordijnen, zijde, viscose enz.)	7	30°C		•	•		52	Hoofdwass, spoelingen, kreukvrij of afpompen
Time 4 U								
Zeer vuil wit en gekleurd wasgoed	8	60°C		•	•		60	Hoofdwass, spoelingen, tussen - en eindcentrifuge.
Weinig vuil wit wasgoed en fijn gekleurd wasgoed (overhemden, truien enz.)	9	40°C		•	•		50	Hoofdwass, spoelingen, tussen - en eindcentrifuge.
Licht gekleurde stoffen (ieder soort weinig vuil wasgoed)	10	40°C		•	•		40	Hoofdwass, spoelingen en delicate centrifuge
Licht gekleurde stoffen (ieder soort weinig vuil wasgoed)	11	30°C		•	•		30	Hoofdwass, spoelingen en delicate centrifuge
Sport								
Sportschoenen (MAX. 2 paar.)	12	30°C		•	•		50	Koude was (zonder wasmiddel), wassen, spoelen en delicate centrifuge
Stoffen voor sportkleding (joginpakken, shorts enz.)	13	30°C		•	•		63	Hoofdwass, spoelingen, tussen - en eindcentrifuge
PROGRAMMA ONDERDELEN								
Spoelen					•	Delicaat Traditioneel		Spoelingen en centrifuge
Centrifugeren								Afpompen en centrifuge
Afpompen								Afpompen

Note

- Bij de programma's 8 - 9 is het beter de machine met niet meer dan 3,5 kg wasgoed te beladen.
- Bij programma 13 raden wij aan een lading van niet meer dan 2 kg te wassen.
- Kijk voor de beschrijving van kreukvrij: Zie Minder Strijken, *bladzijde hiernaast*. De gevens in de tabel hebben een indicatieve waarde.

Speciaal programma

Dagelijkse was (programma 11 voor synthetische stoffen) is bedoeld voor het snel wassen van kledingstukken die weinig vuil zijn: het duurt slechts 30 minuten en bespaart dus elektriciteit en tijd. Met programma (11 met 30 °C) kunt u verschillende soorten stoffen tesamen wassen (behalve zijde en wol) met een lading van max. 3 kg. *Het beste is om hierbij vloeibaar wasmiddel te gebruiken.*

Instellen van de temperatuur

Door aan de TEMPERATUUR-knop te draaien stelt u de temperatuur van het wassen in (zie Tabel van de programma's op blz. 66).

De temperatuur kan verlaagd worden tot aan koud (❄).

Instellen van de centrifuge

Door aan de CENTRIFUGE-knop te draaien stelt u de snelheid van de centrifuge van het gekozen programma in. De maximum snelheden voorzien voor de programma's zijn:

Programma's	Maximum snelheid
Katoen	1200 toeren per minuut
Synthetisch	800 toeren per minuut
Wol	600 toeren per minuut
Zijde	geen

U kunt de snelheid van de centrifuge verminderen, of het centrifugeren uitschakelen met het symbool . De machine voert geen centrifugesnelheid uit dat niet overeenkomt met de maximale centrifugesnelheid van het te centrifugeren soort weefsel.

Note: Om overmatige trillingen te vermijden verdeelt de automaat de lading voor het centrifugeren op een gelijkmatige manier. Dit gebeurt door de trommel voortdurend te laten draaien op een snelheid die iets hoger ligt dan de wassnelheid.

Als na herhaaldelijke pogingen, de lading nog steeds niet goed is gebalanceerd, dan zal de wasautomaat de centrifuge op een lagere snelheid uitvoeren dan was voorzien.

Als de lading zeer uit balans is, zal de wasautomaat een verdeling uitvoeren in plaats van een centrifuge.







De herhaaldelijke balanceerpogingen kunnen de totale duur van de cyclus verlengen tot aan maximaal 10 minuten.

Functies

De verschillende functies van de wasmachine zorgen voor een heldere en witte was zoals door u gewenst. Voor het activeren van de functies:

1. druk op de knop die bij de gewenste functie hoort, volgens de hiervolgende tabel;
2. het oplichten van de betreffende knop geeft aan dat de functie actief is.

N.B.: Snel knippen van de knop geeft aan dat de bijbehorende functie van het ingestelde programma niet gekozen kan worden.

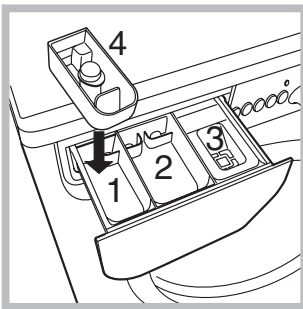
Functies	Effect	Notities voor het gebruik	Actief bij de programma's:
 Delay Timer	Stelt de start van de machine uit tot aan 9 uren.	Druk meerdere malen op de knop totdat het controlelampje dat bij de gewenste uitgestelde start hoort verlicht wordt. Bij de vijfde druk op de knop wordt de functie gedeactiveerd. N.B.: Als de Start/Reset knop eenmaal ingedrukt is dan kan de uitgestelde tijd alleen verkort worden.	Allen
 Bleken	Bleekprogramma in staat de meest hardnekkige vlekken te verwijderen.	Vergeet niet bleekwater in het hiervoor bestemde bakje 4 te gieten (zie blz 68). Deze functie is niet geschikt voor de MINDER STRIJKEN.	2, 3, 4, 5, Spoelingen.
 Minder strijken	Vermindert het kreuken van de stoffen en vergemakkelijkt het strijken.	Door deze functie in te stellen worden de programma's 4, 5, 7 n Delicate spoeling onderbroken, (wasgoed blijft in water= spoelstop) (Kreukvrij), en het controlelampje van de fase Spoelen  gaat knippen: - voor het afmaken van de cycle drukt u op de START/RESET knop - voor alleen waterafvoer zet u de knop op het symbool  en drukt u op de START/RESET knop. Deze functie is niet geschikt voor de optie BLEKEN.	3, 4, 5, 7, 8, 9, 10 Spoelingen.
 Extra Spoeling	Vermeedert het resultaat van het spoelen.	Aangeraden voor volle lading wasgoed of met extra veel wasmiddel.	1, 2, 3, 4, 5, 6, 7, 8, Spoelingen.

Wasmiddel en wasgoed

NL

Wasmiddellaatje

Een goed resultaat van de was hangt ook af van een juiste dosis wasmiddel: te veel maakt het wassen niet beter en blijft in het wasgoed hangen terwijl het slecht is voor het milieu.



Trek het laatje naar voren en giet het wasmiddel en/of de verdere toevoegingen erin als volgt.

bakje 1: voorwasmiddel (poeder)

Voordat u het middel erin giet moet u controleren of het bakje 4 is geplaatst.

bakje 2: wasmiddel (poeder of vloeibaar)

Het vloeibare wasmiddel wordt erin gegoten vlak voor de start.

bakje 3: toevoegingen (wasverzachter enz.)

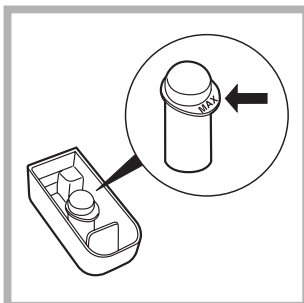
De wasverzachter mag niet boven het roostertje uitkomen.

extra bakje 4: Bleekwater

! Gebruik nooit middelen voor handwas aangezien die te veel schuim vormen.

Bleekprogramma

! Het **traditionele** bleekmiddel kan alleen voor stevig wit wasgoed gebruikt worden, terwijl het **delicate** bleekmiddel geschikt is voor gekleurde stoffen, synthetische stoffen en wol.



Plaats het bijgeleverde extra bakje 4 in bakje 1. Let er bij het gieten van het bleekwater op dat het niveau "max", aangegeven op de centrale pin, niet wordt overschreden (zie afb.).

Als u alleen wilt bleken giet u het bleekwater in het extra bakje 4, stelt u het programma Spoelen en activeert u de functie Extra Spoeling (zie blz 67). Voor bleken tijdens het wassen giet u het wasmiddel en de toevoegmiddelen in de bakjes, stelt u het gewenste programma in en activeert u de functie Bleken (zie blz 67). Gebruik van het extra bakje 4 sluit het voorwassen uit.

Prepareren van het wasgoed

- Verdeel het wasgoed volgens:
 - het soort stof / het symbool op het etiket.
 - de kleuren: scheid gekleurd goed van de witte was.
- Maak de zakken leeg en controleer de knopen.
- Ga niet boven het aangegeven gewicht, berekend voor droog wasgoed:
 - stevige stoffen: max 6 kg
 - synthetische stoffen max 2,5 kg
 - fijne stoffen max 2 kg
 - Wol: max 1,5 kg

Hoeveel weegt het wasgoed?

- 1 laken 400-500 gr.
- 1 sloop 150-200 gr.
- 1 tafelkleed 400-500 gr.
- 1 badjas 900-1200 gr.
- 1 handdoek 150-200 gr.

Speciale stukken

Gordijnen: vouw de gordijnen nauwkeurig en doe ze in een kussensloop of net. Was ze apart zonder ooit de halve lading te overschrijden. Gebruik programma 7 dat automatisch de centrifuge uitsluit.

Donzen dekbedden en met dons gevulde

windjacks: als de vulling uit ganzenveren of eenden-dons bestaat kunt u ze wassen in de wasmachine. Keer de stukken binnenste buiten en ga niet boven een max. lading van 2-3 kg; herhaal de spoeling een of twee keer en gebruik de delicate centrifuge.

Wol: Gebruik voor de beste resultaten een wasmiddel dat speciaal voor wol is bestemd en laad niet meer dan 1,5 kg wollen goed in de machine.

! De wasmachine is ontworpen en geproduceerd volgens de internationale veiligheidsnormen. Deze aanwijzingen worden voor uw eigen veiligheid gegeven en zij moeten met aandacht worden gelezen.

Algemene veiligheid

- Dit apparaat is gemaakt voor huishoudelijk gebruik, niet-professioneel, en zijn functies mogen niet veranderd worden.
- De wasmachine mag alleen door volwassen personen en volgens de instructies in dit boekje worden gebruikt.
- Raak de machine niet aan als u blootsvoets bent of met natte of vochtige handen of voeten.
- Trek de stekker nooit aan het snoer uit het stopcontact, maar altijd door de stekker aan te pakken.
- Open het wasmiddellaatje niet terwijl de machine in werking is.
- Raak het afvoerwater niet aan aangezien het nogal warm kan zijn.
- Forceer nooit de deur: het veiligheidsmechanisme, dat tegen per ongeluk openen beschermt, kan beschadigd worden.
- Probeer in geval van storingen nooit zelf interne mechanismen van de machine te repareren.
- Zorg ervoor dat kleine kinderen niet te dicht bij de machine komen als deze in werking is.
- De glazen deur kan heet worden.
- Als de machine verplaatst moet worden doe dit dan met twee of drie personen en met grote voorzichtigheid. Nooit alleen want de machine is zwaar.
- Voordat u het wasgoed in de machine laadt, controleer dat hij leeg is.

Het afvoeren

- Het afvoeren van het verpakkingsmateriaal: houd u zich aan de plaatselijke normen zodat het materiaal gerecycled kan worden.
- De Europese Richtlijn 2002/96/EC over Vernietiging van Elektrische en Electronische Apparatuur, vereist dat oude huishoudelijke elektrische apparaten niet mogen vernietigd via de normale ongesorteerde afvalstroom. Oude apparaten moeten apart worden ingezameld om zo het hergebruik van de gebruikte materialen te optima-

liseren en de negatieve invloed op de gezondheid en het milieu te reduceren. Het symbool op het product van de "afvalcontainer met een kruis erdoor" herinnert u aan uw verplichting, dat wanneer u het apparaat vernietigt, het apparaat apart moet worden ingezameld.

Consumenten moeten contact opnemen met de lokale autoriteiten voor informatie over de juiste wijze van vernietiging van hun oude apparaat.

Bezuiniging en bescherming van het milieu

Maximale reiniging

Als er weinig water door de glazen deur te zien is komt dat doordat met de nieuwe Indesit technologie minder dan de helft water voldoende is voor maximum reinheid van de was: een doel dat is bereikt ten gunste van de milieu-bescherming.

Bezuinigen op wasmiddel, water, energie en tijd

- Teneinde geen energiebronnen te verkwisten moet de machine altijd met maximum lading worden gebruikt. U spaart 50% energie met een volle lading i.p.v. twee half volle ladingen.
- Voorwassen is alleen nodig voor erg vuil wasgoed. Door dit te vermijden bespaart u wasmiddel, tijd, water en ongeveer 5 tot 15% energie.
- Door vlekken met een ontvlekkingsmiddel te behandelen of in de week te zetten kunt u met minder hoge temperaturen wassen. Een programma op 60°C in plaats van op 90°C of op 40°C in plaats van 60°C zorgt voor een besparing van 50% aan energie.
- Doseer het wasmiddel op basis van de hardheid van het water, de vuilheidsgraad en de hoeveelheid wasgoed, zo vermijdt u onnodig energieverbruik en beschermt u het milieu. ook al zijn de wasmiddelen biologisch afbreekbaar, toch bevatten ze elementen die het evenwicht in de natuur verstoren. Bovendien moet u zoveel mogelijk wasverzachtters vermijden.
- Door zoveel mogelijk te wassen met goedkope stroomtarieven (s'nachts) werkt u mee aan het reduceren van de belasting van de elektrische centrale. De optie Delay Timer (zie blz. 67) is van groot belang voor de uitvoering van het wasprogramma gedurende de nacht.
- Als u na het wassen het wasgoed in een dryer wilt drogen, kunt u een hoge snelheid centrifuge kiezen. Weinig water in het wasgoed spaart tijd en energie bij het droogprogramma.

Onderhoud

NL

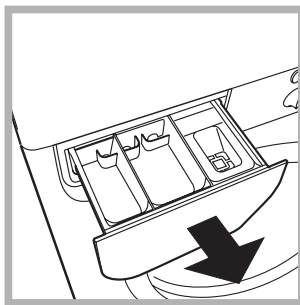
Afsluiten van water en stroom

- Doe de kraan dicht na iedere wasbeurt. Hiermee reduceert u de kans op lekkage.
- Sluit altijd eerst de stroom af voordat u de wasmachine gaat schoonmaken en gedurende onderhoudswerkzaamheden.

Schoonmaken van de wasmachine

De buitenkant en de rubber onderdelen kunnen met een spons en lauw sopje worden schoongemaakt. Nooit schuurmiddelen of oplosmiddelen gebruiken!

Het wasmiddellaatje schoonmaken



Verwijder het laatje door het op te lichten en naar voren te trekken (zie afbeelding). Was het onder stromend water: dit moet u regelmatig doen.

Reinigen van deur en trommel

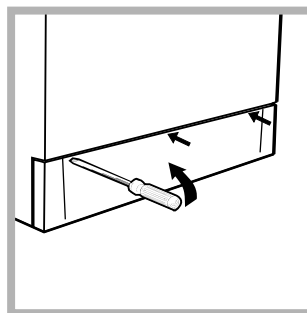
- Laat de deur altijd op een kier staan om muffe lucht te vermijden.

Reinigen van de pomp

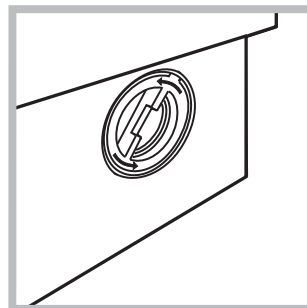
De wasmachine is voorzien van een zelfreinigende pomp en hoeft dus niet te worden schoongemaakt. Het kan echter gebeuren dat kleine voorwerpen (geldstukken, knopen) in het voorvakje terecht komen dat de pomp beschermt en zich aan de onderkant bevindt.

! Verzeker u ervan dat het wasprogramma klaar is en trek de stekker uit het stopcontact.

Toegang tot het paneel:



1. verwijder het paneeltje aan de voorkant van de wasmachine met behulp van een schroevendraaier (zie afbeelding);



2. draai de deksel eraf, tegen de klok in draaiend (zie afbeelding); het is normaal dat er een beetje water uit komt;

3. maak de binnenkant goed schoon;
4. schroef de deksel er weer op;
5. monteer het paneeltje weer, met de haakjes in de betreffende openingen voordat u het paneeltje tegen de machine aan drukt.

Controleer de slang van de watertoevoer

Controleer minstens eens per jaar de slang van de watertoevoer. Als er barstjes in zitten moet hij vervangen worden: gedurende het wassen kan de hoge waterdruk onverwachts scheurtjes veroorzaken.

! Nooit reeds eerder gebruikte slangen gebruiken.

Het kan gebeuren dat de machine niet werkt. Voordat u de installateur opbelt (zie blz. 72), controleert u of het een storing betreft die gemakkelijk te verhelpen is met behulp van de volgende lijst.

Storingen:

De wasmachine gaat niet aan.

Het wasprogramma start niet.

De wasmachine neemt geen water.

De wasmachine blijft water aan- en afvoeren.

De wasmachine pompt het water niet af of centrifugeert niet.

De machine trilt erg tijdens het centrifugeren.

De wasmachine lekt.

Het controlelampje AAN/DEUR GEBLOKKEERD knippert snel tegelijkertijd met minstens één ander controlelampje.

Er ontstaat teveel schuim.

Mogelijke oorzaken / Oplossing:

- De stekker is niet in het stopcontact of niet ver genoeg ingestoken om contact te maken.
- Er is geen stroom.
- De deur is niet goed dicht.
- De knop (I) is niet ingedrukt.
- De START/RESET knop is niet ingedrukt.
- De waterkraan is niet open.
- Uitgestelde start is ingesteld (Delay Timer, zie blz. 67).
- De watertoevoerslang is niet aangesloten aan de kraan.
- De slang ligt gekneld.
- De kraan is niet open.
- In huis mankeert het water.
- Er is geen voldoende druk.
- De START/RESET knop is niet ingedrukt.
- De afvoerslang is niet geïnstalleerd op 65 tot 100 cm afstand van de grond (zie blz. 63).
- Het uiteinde van de afvoerslang ligt onder water (zie blz. 63).
- De afvoer in de muur heeft geen ontluchting.
Als na deze controle het probleem niet is opgelost, doet u de waterkraan dicht, de machine uit en belt u de installateur. Als u op een van de hoogste verdiepingen van een flatgebouw woont kan zich een probleem met het hevelen voordoen, waarbij de machine voortdurend water aan- en afvoert. Om deze storing te verhelpen bestaan er speciale in de handel verkrijgbare ventielen.
- Het programma voorziet niet in afvoer: bij enkele programma's moet dit met de hand worden gestart (zie blz. 66).
- De optie 'Minder strijken' is actief: voor het afmaken van het programma drukt u op de START/RESET knop (zie blz. 67).
- De afvoerslang ligt gekneld (zie blz. 63).
- De afvoerleiding is verstopt.
- De trommel is bij het installeren niet op de juiste wijze ontgrendeld (zie blz. 62).
- De wasmachine staat niet recht (zie blz. 62).
- De wasmachine staat te nauw tussen meubel en muur (zie blz. 62).
- De slang van de watertoevoer is niet goed aangeschroefd (zie blz. 62).
- Het wasmiddellaatje is verstopt (voor schoonmaken zie blz. 70).
- De afvoerslang is niet goed bevestigd (zie blz. 63).
- Doe de automaat uit en haal de stekker uit het stopcontact. Wacht circa 1 minuut en doe hem weer aan.
Als de storing voortzet, dient u de Servicedienst in te schakelen.
- Het wasmiddel is niet bedoeld voor wasmachines (er moet "voor wasmachine", "handwas en wasmachine", of dergelijke op staan).
- De dosering is te veel.

Voordat u er de installateur bijhaalt:

- Kijk eerst even of u het probleem zelf kunt oplossen (*zie blz. 71*);
- Start het programma om te controleren of de storing is verholpen;
- Is dit niet het geval dan neemt u contact op met de bevoegde dichtsbijzijnde Technische Dienst via het telefoonnummer dat op het garantiebewijs/gebruiksaanwijzing staat.

! Nooit een niet-bevoegde installateur erbij halen.

Vermeld:

- het soort storing;
- het model van de machine (Mod.);
- het serienummer (S/N).

Deze informatie vindt u op het typeplaatje aan de achterkant van de wasmachine.

Free Manuals Download Website

<http://myh66.com>

<http://usermanuals.us>

<http://www.somanuals.com>

<http://www.4manuals.cc>

<http://www.manual-lib.com>

<http://www.404manual.com>

<http://www.luxmanual.com>

<http://aubethermostatmanual.com>

Golf course search by state

<http://golfingnear.com>

Email search by domain

<http://emailbydomain.com>

Auto manuals search

<http://auto.somanuals.com>

TV manuals search

<http://tv.somanuals.com>