

Instructions for use

WASHING MACHINE

GB

English,1

AR

عربي, 15

FR

Français,29

WI 52

Contents

Installation, 2-3-4-5

Unpacking and levelling, 2
Electric and water connections, 2-3
The first wash cycle, 4
Technical details, 5

Washing machine description, 6

Control panel, 6

Starting and Programmes, 7

Briefly: how to start a programme, 7
Programme table, 7

Personalisations, 8

Setting the temperature, 8
Functions, 8

Detergents and laundry, 9

Detergent dispenser, 9
Preparing your laundry, 9
Special items, 9

Precautions and advice, 10

General safety, 10
Disposal, 10
Saving energy and respecting the environment, 10

Care and maintenance, 11

Cutting off the water or electricity supply, 11
Cleaning your appliance, 11
Cleaning the detergent dispenser, 11
Caring for your appliance door and drum, 11
Cleaning the pump, 11
Checking the water inlet hose, 11

Troubleshooting, 12

Service, 13

Before calling for Assistance, 13

GB



Installation

GB

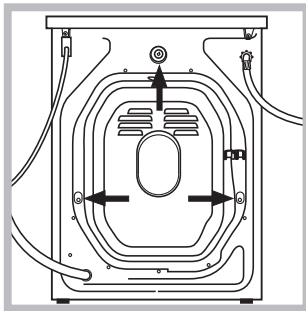
! Keep this instruction manual in a safe place for future reference. Should the appliance be sold, transferred or moved, make sure the instruction manual accompanies the washing machine to inform the new owner as to its operation and features.

! Read these instructions carefully: they contain vital information on installation, use and safety.

Unpacking and levelling

Unpacking

1. Unpack the washing machine.
2. Check whether the washing machine has been damaged during transport. If this is the case, do not install it and contact your retailer.



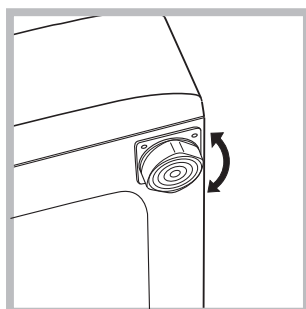
3. Remove the 3 protective screws and the rubber washer with the respective spacer, situated on the rear of the appliance (see figure).

4. Seal the gaps using the plastic plugs provided.
5. Use the plug provided to seal the three holes where the plug was housed, situated on the lower right-hand side on the rear of your appliance.
6. Keep all the parts: you will need them again if the washing machine needs to be moved to another location.

! Packaging materials are not children's toys.

Levelling

1. Install the washing machine on a flat sturdy floor, without resting it up against walls, furniture cabinets or other.

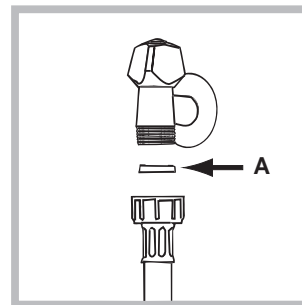


2. If the floor is not perfectly level, compensate for any unevenness by tightening or loosening the adjustable front feet (see figure); the angle of inclination, measured according to the worktop, must not exceed 2°.

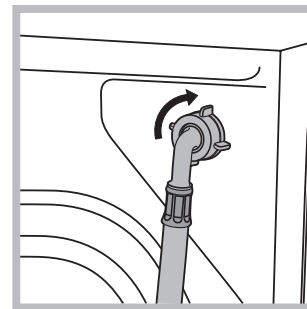
Levelling your appliance correctly will provide it with stability and avoid any vibrations, noise and shifting during operation. If it is placed on a fitted or loose carpet, adjust the feet in such a way as to allow enough room for ventilation beneath the washing machine.

Electric and water connections

Connecting the water inlet hose



1. Insert seal A into the end of the inlet hose and screw the latter onto a cold water tap with a 3/4 gas threaded mouth (see figure). Before making the connection, allow the water to run freely until it is perfectly clear.



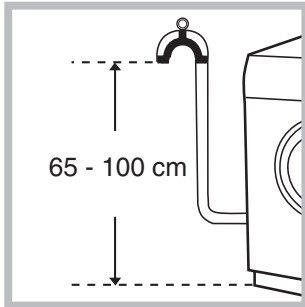
2. Connect the other end of the water inlet hose to the washing machine, screwing it onto the appliance's cold water inlet, situated on the top right-hand side on the rear of the appliance (see figure).

3. Make sure there are no kinks or bends in the hose.

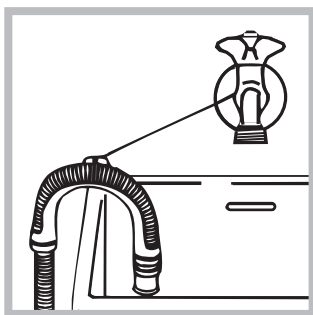
! The water pressure at the tap must be within the values indicated in the Technical details table (on the next page).

! If the water inlet hose is not long enough, contact a specialist store or an authorised serviceman.

Connecting the drain hose



Connect the drain hose, without bending it, to a draining duct or a wall drain situated between 65 and 100 cm from the floor;



alternatively, place it over the edge of a basin, sink or tub, fastening the duct supplied to the tap (see figure). The free end of the hose should not be underwater.

! We advise against the use of hose extensions; in case of absolute need, the extension must have the same diameter as the original hose and must not exceed 150 cm in length.

Electric connection

Before plugging the appliance into the mains socket, make sure that:

- the socket is earthed and in compliance with the applicable law;
- the socket is able to sustain the appliance's maximum power load indicated in the Technical details table (see page 5);
- the supply voltage is included within the values indicated on the Technical details table (see page 5);
- the socket is compatible with the washing machine's plug. If this is not the case, replace the socket or the plug.

Your appliance is now supplied with a 13 amp fused plug it can be plugged into a 13 amp socket for immediate use. Before using the appliance please read the instructions below.

WARNING - THIS APPLIANCE MUST BE EARTHED. THE FOLLOWING OPERATIONS SHOULD BE CARRIED OUT BY A QUALIFIED ELECTRICIAN.

Replacing the fuse:

When replacing a faulty fuse, a 13 amp ASTA approved fuse to BS 1362 should always be used, and the fuse cover re-fitted. If the fuse cover is lost, the plug must not be used until a replacement is obtained.

Replacement fuse covers:

If a replacement fuse cover is fitted, it must be of the correct colour as indicated by the coloured marking or the colour that is embossed in words on the base of the plug. Replacements can be obtained directly from your nearest Service Depot.

Removing the plug:

If your appliance has a non-rewireable moulded plug and you should wish to re-route the mains cable through partitions, units etc., please ensure that either:

the plug is replaced by a fused 13 ampere re-wearable plug bearing the BSI mark of approval.

or:
the mains cable is wired directly into a 13 amp cable outlet, controlled by a switch, (in compliance with BS 5733) which is accessible without moving the appliance.

Disposing of the plug:

Ensure that before disposing of the plug itself, you make the pins unusable so that it cannot be accidentally inserted into a socket.

Instructions for connecting cable to an alternative plug:
Important: the wires in the mains lead are coloured in accordance with the following code:

Green & Yellow	Earth
Blue	Neutral
Brown	Live

As the colours of the wires in the lead may not correspond with the coloured markings identifying the terminals in your plug, proceed as follows:
Connect Green & Yellow wire to terminal marked **E** or \perp or coloured Green or Green & Yellow.
Connect Brown wire to terminal marked **L** or coloured Red.
Connect Blue wire to terminal marked **N** or coloured Black.

GB

Installation

Description

Programmes

Detergents

Precautions

Care

Troubleshooting

Service

If a 13 amp plug (BS 1363) is used it must be fitted with a

13 amp fuse, either in the plug or adaptor or at the distribution board.

If you are in any doubt the electrical supply to your machine, consult a qualified electrician before use.

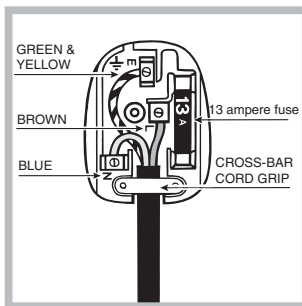
How to connect an alternative plug:

The wires in this mains lead are coloured in accordance with the following code:

BLUE	NEUTRAL (N)
BROWN	LIVE (L)
GREEN & YELLOW	EARTH (E)

Disposing of the appliance:

When disposing of the appliance please remove the plug by cutting the mains cable as close as possible to the plug body and dispose of it as described above.



! The washing machine should not be installed in an outdoor environment, not even when the area is sheltered, because it may be very dangerous to leave it exposed to rain and thunderstorms.

! When the washing machine is installed, the mains socket must be within easy reach.

! Do not use extensions or multiple sockets.


! The power supply cable must never be bent or dangerously compressed.

! The power supply cable must only be replaced by an authorised serviceman.

Warning! The company denies all liability if and when these norms are not respected.

The first wash cycle

Once the appliance has been installed, and before you use it for the first time, run a wash cycle with detergent and no laundry, setting the 90°C programme without a pre-wash cycle.

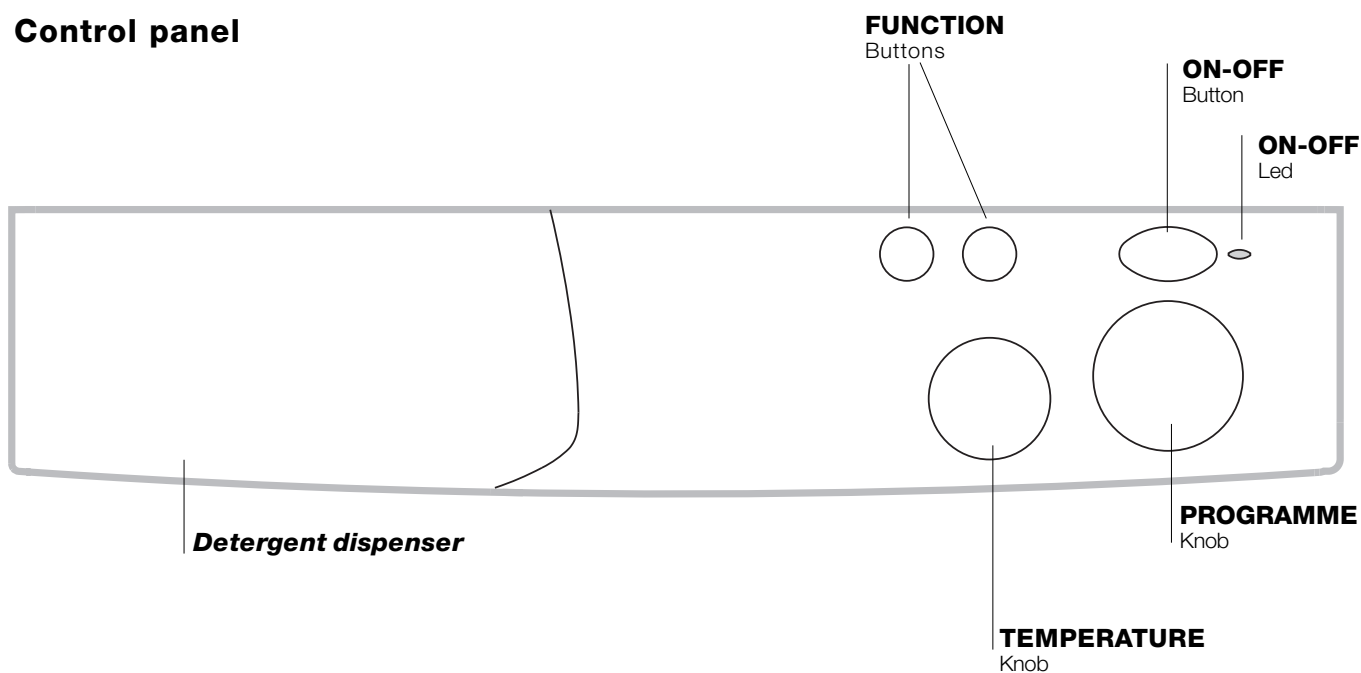
Technical details	
Model	WI 52
Dimensions	59.5 cm wide 85 cm high 52.5 cm deep
Capacity	from 1 to 5 kg
Electric connections	voltage 220/230 Volts 60 Hz maximum absorbed power 1750 W
Water connections	maximum pressure 1 MPa (10 bar) minimum pressure 0.05 MPa (0.5 bar) drum capacity 40 litres
Spin speed	up to 500 rpm
Control programmes according to IEC456 directive	programme 2; temperature 60°C; run with a load of 5 kg.
	This appliance is compliant with the following European Community Directives: - 73/23/CEE of 19/02/73 (Low Voltage) and subsequent amendments - 89/336/CEE of 03/05/89 (Electromagnetic Compatibility) and subsequent amendments

GB
Installation
Description
Programmes
Detergents
Precautions
Care
Troubleshooting
Service

Washing machine description

GB

Control panel



Detergent dispenser: to add detergent and fabric softener (see page 9).

FUNCTION buttons: to select the functions available.

TEMPERATURE knob: to set the temperature or the cold wash cycle (see page 8).

ON/OFF button, to turn the washing machine on and off.

ON/OFF led, to find out whether the washing machine is on.

PROGRAMME knob: to select the wash programmes. Remember that this dial should be turned in a clockwise direction and only when the machine is off.





Briefly: starting a programme

1. Set the desired programme.
2. Set the wash temperature (see page 8).
3. Load your laundry into the appliance and shut the door.
4. Add the detergent and any fabric softener (see page 9).
5. Turn the appliance on by pressing button ①.

6. At the end of the wash cycle wait approximately 3 minutes.

Then turn the washing machine off by pressing ① button. You can now open the washing machine door safely. After having removed the freshly cleaned washing, leave the door open to allow air circulation inside the drum. Always disconnect electricity at the socket and turn off the water supply.

Programme table

Type of fabric and degree of soil	Programmes	Temperature	Detergent		Fabric softener	Cycle length (minutes)	Description of wash cycle
			pre-wash	wash			
Cotton							
Extremely-soiled whites (sheets, tablecloths, etc.)	1	90°C	•	•	•	150	Pre-wash, wash cycle, rinse cycles, intermediate and final spin cycles
Heavily-soiled whites (sheets, tablecloths, etc.)	2	90°C		•	•	140	Wash cycle, rinse cycles, intermediate and final spin cycles
Heavily-soiled whites and resistant colours	2	60°C		•	•	140	Wash cycle, rinse cycles, intermediate and final spin cycles
Heavily soiled whites and resistant colours	2	40°C		•	•	140	Wash cycle, rinse cycles, intermediate and final spin cycles
Soiled whites and resistant colours (coloured linen, dressing gowns, jumpers, etc.)	3	60°C		•	•	115	Wash cycle, rinse cycles, intermediate and final spin cycles
Slightly-soiled whites and colours	3	40°C		•	•	115	Wash cycle, rinse cycles, intermediate and final spin cycles
Slightly-soiled whites and delicate colours (shirts, jumpers, etc.)	4	40°C		•	•	95	Wash cycle, rinse cycles, intermediate and final spin cycles
Rinse					•		Rinse cycles, intermediate and final spin cycles
Treatment with softeners					•		Rinse cycles with automatic softener intake, intermediate and final spin cycles
Spin cycle							Draining and final spin cycle
Synthetics							
Heavily-soiled resistant colours (baby linen, etc.)	5	60°C		•	•	85	Wash cycle, rinse cycles, anti-crease or delicate spin cycle
Heavily-soiled colour synthetics	5	50°C		•	•	85	Wash cycle, rinse cycles, anti-crease or delicate spin cycle
Heavily-soiled delicate colour synthetics	5	40°C		•	•	85	Wash cycle, rinse cycles, anti-crease or delicate spin cycle
Soiled colour synthetics	6	50°C		•	•	75	Wash cycle, rinse cycles, anti-crease or delicate spin cycle
Delicate colour synthetics (all types of slightly soiled garments)	7	40°C		•	•	65	Wash cycle, rinse cycles, anti-crease or delicate spin cycle
Rinse					•		Rinse cycles, anti-crease or delicate spin cycle
Treatment with softeners					•		Rinse cycles with automatic introduction of softener, anti-crease or delicate spin cycle
Spin cycle							Draining and delicate spin cycle
Delicates							
Wool (machine-washable)	8	40°C		•	•	55	Wash cycle, rinse cycles, anti-crease or delicate spin cycle
Rinse					•		Rinse cycles, anti-crease or delicate spin cycle
Treatment with softeners					•		Rinse cycles with automatic introduction of softener, anti-crease or delicate spin cycle
Spin cycle							Draining and delicate spin cycle
Draining							Draining without spin cycle

Notes

for the description of the Anti-crease function, please see page 8. The information contained in the table is purely indicative.

GB

Installation

Description

Programmes

Detergents

Precautions

Care


Troubleshooting

Service

Personalisations



GB

Setting the temperature


Turn the TEMPERATURE knob to set the wash temperature (see *Programme table on page 7*). The temperature can be lowered, or even set to a cold wash ()

Functions

To enable the functions, press the button corresponding to the desired function, according to the table below.

Function	Effect	Comments
 Half load	Reduces water consumption during the rinse cycles.	We recommend that you use this function only with small laundry loads, dosing the detergent proportionally.
 No Spin	Use this button to exclude the spin cycle.	We recommend that you use it when washing garments which are difficult to iron.

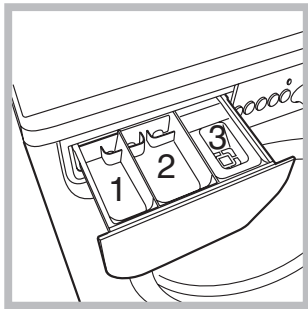
Anti-crease

This feature interrupts the wash cycle (position ●), letting the laundry soak in the water before the spin cycle. It is activated only during the wash cycles for synthetic materials and wool. This feature is very useful because it prevents delicate and synthetic clothing from wrinkling (for example, when you are unable to remove the laundry at the end of the wash cycle and it must remain in the machine for several hours). The wash program can be completed with either a spin cycle or by draining the water without wringing. In the first case, simply turn the knob PROGRAMME clockwise one click. In the second, turn the knob PROGRAMME to the drain setting .

In both cases, the knob PROGRAMME must be turned when the machine is off.

Detergent dispenser

Good washing results also depend on the correct dose of detergent: adding too much detergent won't necessarily make for a more efficient wash, and may in fact cause build up on the interior of your appliance and even pollute the environment.



Open up the detergent dispenser and pour in the detergent and fabric softener, as follows.

compartment 1: Detergent for pre-wash (powder)

compartment 2: Detergent for the wash cycle (powder or liquid)

Liquid detergent should only be poured in immediately prior to the wash cycle start.

compartment 3: Additives (fabric softeners, etc.)

The fabric softener should not overflow from the grid.

! Do not use hand wash detergent because it may form too much foam.

Preparing your laundry

- Divide your laundry according to:
 - the type of fabric/the symbol on the label.
 - the colours: separate coloured garments from whites.
- Empty all pockets and check for loose buttons.
- Do not exceed the weight limits stated below, which refer to the weight when dry:
 - Sturdy fabrics: max 5 kg
 - Synthetic fabrics: max 2.5 kg
 - Delicate fabrics: max 2 kg
 - Wool: max 1 kg

How much does your laundry weigh?

- 1 sheet 400-500 g
- 1 pillow case 150-200 g
- 1 tablecloth 400-500 g
- 1 bathrobe 900-1,200 g
- 1 towel 150-250 g

Special items

Curtains: fold curtains and place them in a pillow case or mesh bag. Wash them separately without exceeding half the appliance load.

Quilted coats and windbreakers: if they are padded with goose or duck down, they can be machine-washed. Turn the garments inside out and load a maximum of 2-3 kg, repeating the rinse cycle once or twice and using the delicate spin cycle.

Trainers: remove any mud. They can be washed together with jeans and other tough garments, but not with whites.

Wool: for best results, use a specific detergent, taking care not to exceed a load of 1 kg.

GB

Installation

Description

Programmes

Detergents

Precautions

Care

Troubleshooting

Service

Precautions and advice

GB

! The washing machine was designed and built in compliance with the applicable international safety regulations. The following information is provided for your safety and should consequently be read carefully.

General safety

- This appliance has been designed for non-professional, household use and its functions must not be changed.
- This washing machine should only be used by adults and in accordance with the instructions provided in this manual.
- Never touch the washing machine when barefoot or with wet or damp hands or feet.
- Do not pull on the power supply cable to unplug the appliance from the electricity socket. Pull the plug out yourself.
- Do not open the detergent dispenser while the appliance is in operation.
- Do not touch the drain water as it could reach very high temperatures.
- Never force the washing machine door: this could damage the safety lock mechanism designed to prevent any accidental openings.
- In the event of a malfunction, do not under any circumstances touch internal parts in order to attempt repairs.
- Always keep children well away from the appliance while in operation.
- The appliance door tends to get quite hot during the wash cycle.
- Should it have to be moved, proceed with the help of two or three people and handle it with the utmost care. Never try to do this alone, because the appliance is very heavy.
- Before loading your laundry into the washing machine, make sure the drum is empty.

Disposal

- Disposing of the packaging material: observe local regulations, so the packaging can be re-used.
- Disposing of an old washing machine: before scrapping your appliance, cut the power supply cable and remove the appliance door.

Saving energy and respecting the environment

- To avoid wasting resources, the washing machine should be used with a full load. A full load instead of two half loads allows you to save up to 50% on energy.
- The pre-wash cycle is only necessary on extremely soiled garments. Avoiding it will save on detergent, time, water and between 5 and 15% energy.
- Treating stains with a stain remover or leaving them to soak before washing will cut down the need to wash them at high temperatures. A programme at 60°C instead of 90°C or one at 40°C instead of 60°C will save up to 50% on energy.
- Use the correct quantity of detergent depending on the water hardness, how soiled the garments are and the amount of laundry you have, to avoid wastage and to protect the environment: despite being biodegradable, detergents do contain ingredients that alter the natural balance of the environment. In addition, avoid using fabric softener as much as possible.
- If you use your washing machine from late in the afternoon until the early hours of the morning, you will help reduce the electricity board's peak load.
- If your laundry has to be dried in a tumble dryer, select a high spin speed. Having the least water possible in your laundry will save you time and energy in the drying process.

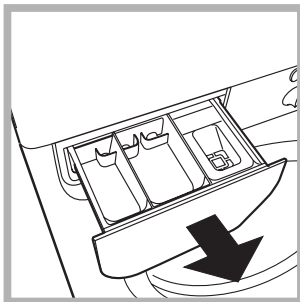
Cutting off the water or electricity supply

- Turn off the water tap after every wash. This will limit the wear of your appliance's water system and also prevent leaks.
- Unplug your appliance when cleaning it and during all maintenance operations.

Cleaning your appliance

The exterior and rubber parts of your appliance can be cleaned with a soft cloth soaked in lukewarm soapy water. Do not use solvents or abrasives.

Cleaning the detergent dispenser



Remove the dispenser by pulling it out (see figure). Wash it under running water; this operation should be repeated frequently.

Caring for your appliance door and drum

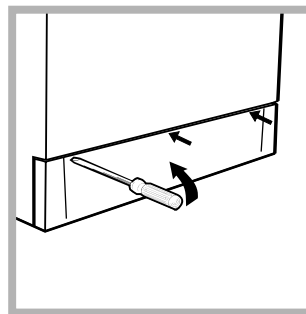
- Always leave the appliance door ajar to prevent unpleasant odours from forming.

Cleaning the pump

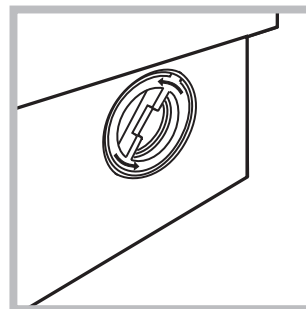
The washing machine is fitted with a self-cleaning pump that does not require any maintenance. Sometimes, small items (such as coins or buttons) may fall into the pre-chamber that protects the pump, situated in the lower part of the same.

! Make sure the wash cycle has ended and unplug the appliance.

To access the pre-chamber:



1. using a screwdriver, remove the cover panel on the lower front of the washing machine (see figure);



2. unscrew the lid rotating it anti-clockwise (see figure): a little water may trickle out. This is perfectly normal;

3. clean the interior thoroughly;
4. screw the lid back on;
5. reposition the panel, making sure the hooks are securely in place before you push it onto the appliance.

Checking the water inlet hose

Check the water inlet hose at least once a year. If you see any cracks, replace it immediately: during the wash cycles, water pressure is very strong and a cracked hose could easily split open.

! Never use hoses that have already been used.

GB

Installation

Description

Programmes

Detergents

Precautions

Care

Troubleshooting

Service

Troubleshooting

GB

Your washing machine could fail to work. Before calling for Assistance (*see page 13*), make sure the problem can't easily be solved by consulting the following list.


Problem

The washing machine won't start.

Possible causes/Solution:

- The appliance is not plugged into the socket, or not enough to make contact.
- There has been a power failure.

The wash cycle won't start.

- The appliance door is not shut properly.
- The  button has not been pressed.
- The water tap is not turned on.

The washing machine fails to load water.

- The water inlet hose is not connected to the tap.
- The hose is bent.
- The water tap is not turned on.
- There is a water shortage.
- The water pressure is insufficient.

The washing machine continuously loads and unloads water.

- The drain hose is not fitted between 65 and 100 cm from the floor (*see page 3*).
- The free end of the hose is underwater (*see page 3*).
- The wall drainage system doesn't have a breather pipe.

If the problem persists even after these checks, turn off the water tap, switch the appliance off and call for Assistance. If the dwelling is on one of the upper floors of a building, there may be drain trap problems causing the washing machine to load and unload water continuously. In order to avoid such an inconvenience, special anti-drain trap valves are available in shops.

The washing machine does not drain or spin.

- The programme does not foresee the draining: some programmes require enabling the draining manually (*see page 7*).
- The Anti-crease function is enabled (*where available*): This function requires enabling the draining manually.
- The drain hose is bent (*see page 3*).
- The drain duct is clogged.

The washing machine vibrates too much during the spin cycle.

- The drum was not unblocked correctly during installation (*see page 2*).
- The washing machine is not level (*see page 2*).
- The washing machine is closed in between furniture cabinets and the wall (*see page 2*).

The washing machine leaks.

- The water inlet hose is not screwed on correctly (*see page 2*).
- The detergent dispenser is obstructed (to clean it, *see page 11*).
- The drain hose is not secured properly (*see page 3*).

There is too much foam.

- The detergent is not suitable for machine washing (it should bear the definition "for washing machines" or "hand and machine wash", or the like).
- You used too much detergent.

Before calling for Assistance:

- Check whether you can solve the problem on your own (see page 12);
- Restart the programme to check whether the problem has been solved;
- If this is not the case, contact an authorised Technical Service Centre on the telephone number provided on the guarantee certificate.

! Always request the assistance of authorised servicemen.

Notify the operator of:

- the type of problem;
- the appliance model (Mod.);
- the serial number (S/N).

This information can be found on the data plate situated on the rear of the washing machine.

GB**Installation****Description****Programmes****Detergents****Precautions****Care****Troubleshooting****Service**

الفهرس

التركيب 16-17-18-19

- 16 اخراج الجهاز من تغليفه و تسوية الجهاز ،
- توصيلات الماء والكهرباء، 16-17
- أول دورة غسيل، 18
- مواصفات فنية، 19

وصف غسالة الملابس 20

- لوحة القيادة، 20

التشغيل و البرمجة، 21

- ببساطة: تشغيل برنامج، 21
- لوحة البرامج، 21

تشخيص، 22

- وضع درجة الحرارة؛ 22
- وظائف، 22

مساحيق غسيل و ملابس، 23

- حوض مساحيق الغسيل، 23
- تحضير الملابس للغسيل، 23
- أقمشة خاصة، 23

تحذيرات ونصائح، 24

- أمن عام، 24
- التخلص من النفايات، 24
- الاقتصاد و احترام البيئة، 24

صيانة و حماية، 25

- اغلاق الماء و التيار الكهربائي، 25
- تنظيف غسالة الملابس، 25
- تنظيف حوض مساحيق الغسيل، 25
- حماية باب الغسالة و حوض غسيل الغسالة، 25
- تنظيف مضخة تفريغ الغسالة من الماء، 25
- فحص خرطوم تغذية الغسالة بالماء، 25

حصول بعض المشاكل وحلول لها، 26

الصيانة الفنية، 27

عربي

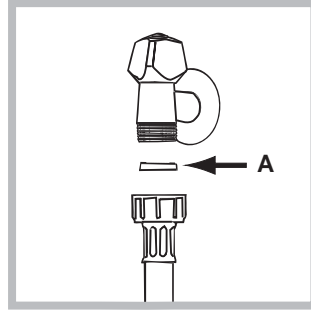
WI 52

تعليمات من أجل الاستعمال

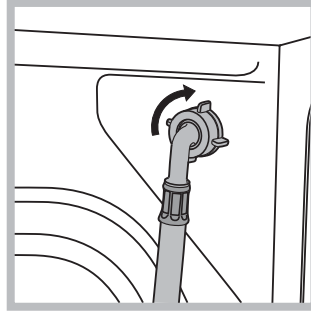
وضع الجهاز بشكل مستوي تعمل على ثبات الجهاز بمكانه وعدم ذبذبته، وعدم سماع اصوات مزعجة خلال عمل الجهاز أو تحرك الجهاز من مكانه خلال عمل الجهاز، في حالة وجود مكيت أو سجاد على الأرضية تحت الجهاز عيروا الأرجل تحت الجهاز بحيث يتم ترك مسافة بين الجهاز والأرضية تحته وذلك لترك حيز لدخول الهواء من أجل التهوية.

توصيل الماء والكهرباء بالجهاز توصيل خرطوم تغذية الجهاز بالماء

1. أدخلوا حلقة عدم تسرب الماء المشار لها بالحرف A في نهاية خرطوم وارتبطوه بمحبس الماء البارد بفتحة مسننه بسن 4/3 غاز (انظر الى الشكل)
قبل وصله بالجهاز اتركوا الماء يخرج من المحبس حتى خروج ماء صافية من المحبس.



2. اشبكوا الخرطوم الذي يغذي الغسالة بالماء وذلك بربطه بمدخل الماء الموجود في ظهر الغسالة من الخلف في المنطقة العليا على اليمين. (انظر الى الشكل)



3. خذوا حذرکم من لا يكون الخرطوم مطوي أو مخنوق في مكان ما على طول امتداده.

ضغط شبكة الماء يجب أن تكون بالقيم التي تكون معطية ومكتوبة لائحة الخصائص الفنية للجهاز (انظر الى الصفحة الجانبية)

إذا كان طول خرطوم تغذية الغسالة بالماء غير كافي استعينوا بقسم الصيانة الفنية أو المحلات المختصة أو فني مؤهل بالقيام بعمليات الصيانة الفنية.

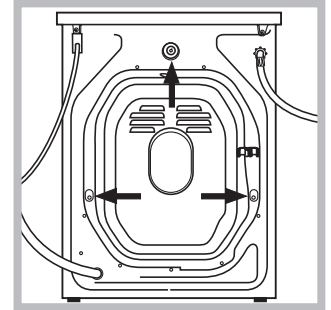
من المهم الحفاظ على هذا الكتيب ليتمكنكم العودة اليه عند الحاجة الى التعرف على معلومات عن الجهاز في أي لحظة، في حالة بيع الجهاز أو اعطاهم كهدية أو عند نقل الجهاز من مكان لآخر، تأكدوا من أن يبقى هذا الكتيب مع الجهاز وذلك لتقديم معلومات تتعلق بتشغيل وبرمجة الجهاز بالإضافة الى النصائح والتحذير للمالك الجديد للجهاز.

أقرؤوا بتمعن التعليمات: في داخل هذا الكتيب موجود معلومات هامة تتعلق بالتركيب، الاستعمال، وأمن الجهاز.

اخراج الجهاز من تغليفه وتسوية الجهاز

اخراج الجهاز من تغليفه

1. اخرجوا الغسالة من تغليفها
2. تأكدوا من الغسالة لم يحدث لها أضرار خلال شحنها ونقلها من مكان لآخر، إذا كان الجهاز مضرر أو مضروب في مكان ما لا تقوما بعملية توصيله أو تركيبه، واتصلوا بالبائع.



3. اخلعوا الثلاث براغي التي تحمي الجهاز خلال عملية النقل، وكذلك اخلعوا القطع المطاطية ومباعد كل واحدة من هذه، التي تكون موجودة في المنطقة الخلفية من الجهاز (انظر الى الشكل)

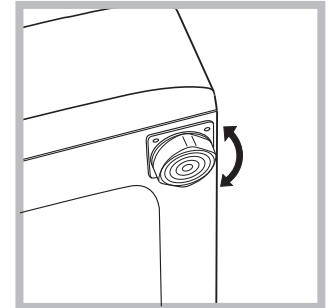
4. اغلقوا الثقوب بواسطة الأغشية البلاستيكية التي تكون مزودة مع الجهاز.
5. أغلقوا بالأغشية التي تكون مزودة مع الجهاز الثلاث ثقوب حيث يكون موضوع قابس التيار الكهربائي (الذکر) الذي يكون موجود في خلف الجهاز من الأسفل على اليمين.
6. حافظوا على جميع القطع التي تم فكها: عند نقل الجهاز من مكان لآخر يجب تركيب هذه القطع مكانها من جديد.

يجب عدم ترك الأطفال اللعب بتغليف الجهاز.

تسوية الجهاز

1. ركبوا غسالة الملابس على أرضية مستوية وصلبة بدون ارتكازها على حائط أو قطع أثاث أو أي شيء آخر.

2. إذا كانت الأرضية غير مستوية، يمكنكم الاستعانة بالأرجل الأمامية المتحركة والتي قابلة التعديل في ارتفاعها وذلك لازالة عدم استواء الأرضية (انظر الى الشكل). زاوية الميالن التي يمكنكم قياسها على السطح العلوي للجهاز يجب أن لا يزيد عن 2 درجة.



انتباه: الجهاز الكهربائي يجب أن يكون موصل بخط أرض فعال، العمليات المشروحة أدناه هي تعليمات موجهة الى فني كهربائي مختص.

تغيير المنصهرة (الفيوز)

عند تغيير المنصهرة (الفيوز) المعطوب، استخدموا دائما منصهرة 13 امبير ASTA خاضعة للمقياس BS 1362 وأعيدوا غطاء المنصهرة الى مكانه الذي كان فيه، في حالة فقدان هذا الغطاء لا تستخدموا القابيس حتى الحصول على هذا الغطاء وتركيبه في مكانه.

تغيير غطاء المنصهرات (الفيوزات):

إذا تم تغيير غطاء الفيوزات تاكدوا من أن لونه هو اللون الصحيح والمشار له بواسطة الرقم أو الكتابة الملونة الموجودة على قاعدة القابيس، لقطع الغيار، استعينوا مباشرة بقسم الصيانة الفنية القريب عليكم.

فك القابيس (الذكر):

في حالة أن يكون الجهاز مزود بقابيس (الذكر) لا يمكن فكه لأنه مصهور وتريدون تمرير سلك التغذية الكهربائية من خلال ثقوب أو فتحات صغيرة لا يمر من خلالها القابيس قوموا بتغيير القابيس المصهور بقابيس يمكن فكه وتركيبه وقادر على تحمل 13 أمبير ويحمل الشعار BSI.

أو

وصل سلك التغذية الكهربائية بمنبع التيار الكهربائي بواسطة مفتاح قادر على تحمل 13 أمبير (وخاضع للمقياس BS 5733) يمكن الوصول اليه بدون تحريك الجهاز من مكانه.

ازالة القابيس (الذكر):

قبل رمي القابيس اجعلوه غير قابل للاستعمال وذلك بكسر رؤوسه بحيث لا يمكن ادخاله داخل ثقوب مقبس (الانثى) بشكل عفوي. تعليمات من أجل توصيل سلك التغذية الكهربائية بقابيس (الذكر): مهم: ألوان الأسلاك التغذية الكهربائية تشير الى التالي:

أصفر/أخضر خط أرض

أزرق محايد (نيوترل)

بنّي تغذية

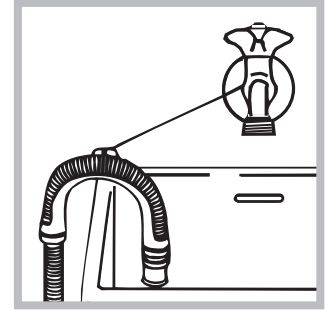
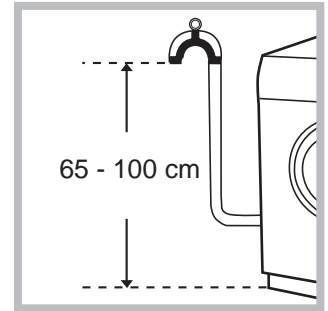
ولأن ألوان سلك التغذية الكهربائية يمكن أن لا يطابقوا الاشارات الملونة التي تعرف مرابط القابيس، اتبعوا الخطوات التالية:

أوصلوا السلك الأصفر/الأخضر بالمربط المشار له بالحرف E أو بالشعار ≡ أو اللون الأخضر أو الأصفر/الأخضر

أوصلوا السلك البني بالمربط المشار له بالحرف L أو باللون الأحمر.

أوصلوا السلك الأزرق بالمربط المشار له بالحرف N أو باللون الأسود.

أوصلوا خرطوم تفريغ الماء من حوض غسيل الغسالة بدون طويه، بماسورة صرف للماء، أو بمصرف موجود في الحائط على أن يكون ارتفاعه ما بين 65 و 100 سنتيمتر عن سطح الأرض



أو قوموا بوضعه على حافة مغسلة أو حوض حمام، اربطوا الخرطوم بحامل الخرطوم الذي يكون مزود مع الجهاز بمحيس الماء (انظر الى الشكل) الطرف الحر من الخرطوم يجب أن لا يكون مغمور في الماء.

غير منصح استخدام خرطوم طويل ، اذا كان من الضروري استخدام هذه خرطوم التطويل يجب أن يكون قطر هذا الخرطوم نفس قطر الخرطوم الرئيسي ويجب أن لا يزيد طوله عن 150 سنتيمتر.

التوصيل الكهربائي

قبل وصل الجهاز بمنبع التيار الكهربائي تأكد من أن:

- مقبس التيار الكهربائي (الانثى) موصل بخط أرض فعال حسب القوانين سارية المفعول
 - مقبس التيار الكهربائي قادر على تحمل القدرة الكهربائية الممتصة من قبل الجهاز والتي تكون مكتوبة على لوحة الخصائص الفنية (انظر الى صفحة رقم 19)
 - فرق جهد شبكة التيار الكهربائي تكون داخلية بين القيم المشار لها في لوحة الخصائص الفنية (انظر الى صفحة رقم 19)
 - مقبس التيار الكهربائي (الانثى) مناسب لقابيس التيار الكهربائي (الذكر) في حالة العكس قوموا بتغيير اما المقبس أو القابيس.
- جهازكم الكهربائي الآن يحتوي على قابيس (الذكر) مصهور وقادر على تحمل 13 امبير ويمكن ادخاله في مقبس (الانثى) مناسب له للاستعمال الفوري، اقرؤوا التعليمات التالية قبل استخدامكم الجهاز الكهربائي البيتي.

أول دورة غسيل

بعد الانتهاء من عملية تركيب الجهاز، وقيل استخدامه، قوموا بعملية غسيل مستخدمين مسحوق غسيل وبدون ملابس داخل الغسالة، مستخدمين برنامج الغسيل على 90 درجة مئوية بدون عملية غسيل بدائية.

إذا استخدمتم قابس (الذكر) 13 أمبير (BS 1363) ركبوا منصهرة (فيوز) 13 أمبير في المقبس أو في المهائي أو على لوحة التوزيع. في حالة الشك بالتغذية الكهربائية لجهازكم استدعوا فني كهربائي مختص قبل وصل الجهاز بمنبع التيار الكهربائي.

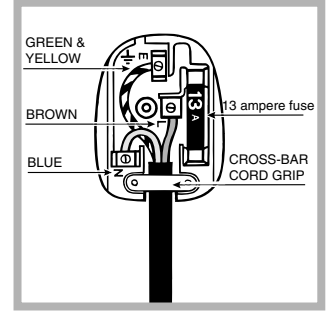
وصل قابس (الذكر) بديل:

ألوان الأسلاك التغذية الكهربائية تشير الى التالي:

أزرق	محايد (نيوترل) (N)
بنّي	تغذية (L)
أصفر/أخضر	خط أرض (E)

ازالة الجهاز الكهربائي البيتي:

عند رمي جهاز كهربائي بيبي، يجب ازالة قابس التيار الكهربائي (الذكر) وذلك بقص سلك التغذية الكهربائية بأقرب نقطة ممكنة من القابس وقوموا بتحطيم رؤوس القابس كما ذكر سابقاً.



الغسالة لا توضع في الخارج حتى لو كان المكان مغطى وذلك لأنه من الخطر ترك الجهاز تحت عوامل الطقس مثل المطر برق رعد الى اخره.

بعد الانتهاء من تركيب الجهاز يجب أن يكون من السهل الوصول الى مقبس التيار الكهربائي (الأنثى).

لا تستخدموا مهايئات او مقبس متعدد الثقوب أو اسلاك تطويل.

سلك التغذية الكهربائية يجب أن لا يكون مطوي أو محشور بين الأثاث.

سلك التغذية الكهربائية يجب أن يتم تبديله وقت الحاجة فقط من قبل فني مختص ومؤهل للقيام بهذا.

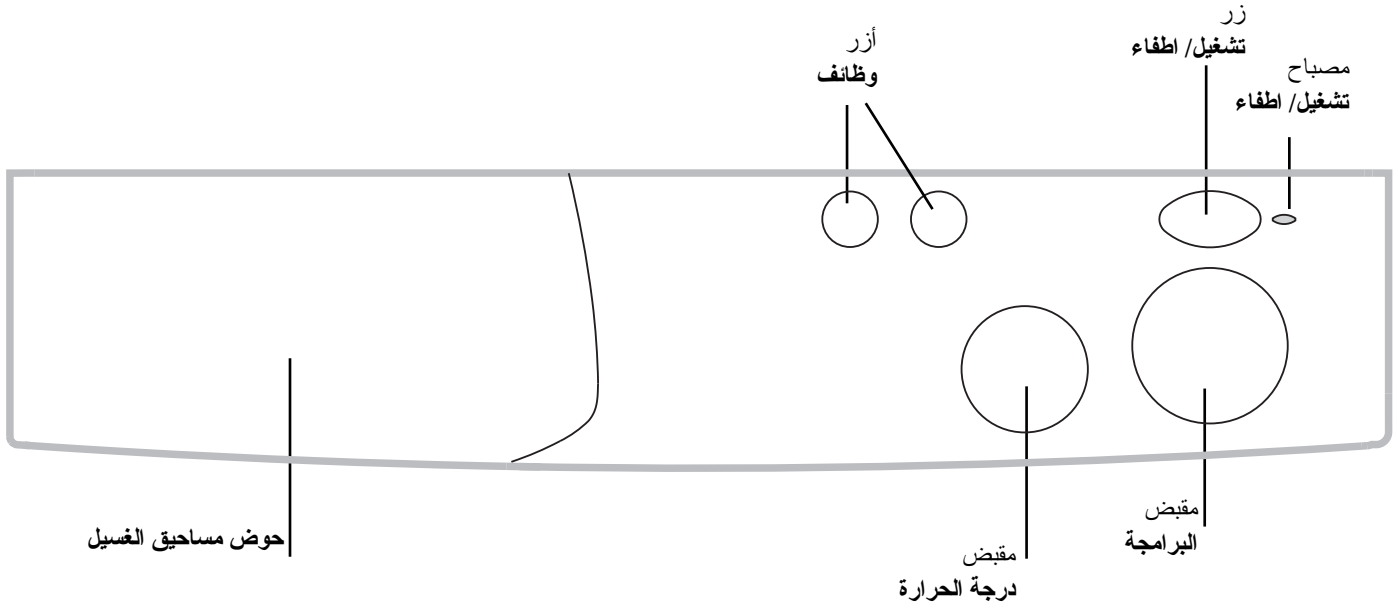
انتبه: الشركة الصانعة تسقط عن نفسها أي مسؤولية عن أضرار قد تحصل من عدم اتباع واحترام هذه قواعد الأمن.

مواصفات فنية	
المديل	WI 52
الأبعاد	العرض 59.5 سنتمتر الارتفاع 85 سنتمتر العمق 52.5 سنتمتر
القدرة	من 1 الى 5 كغم
التوصيلات الكهربائية	فرق جهد 230/220 فولت 60 هيرتز القدرة القصوى الممتصة من قبل الجهاز 1750 واط
التوصيلات الهيدروليكية	الضغط القصوى 1 ملبسكال (10 بار) الضغط الدنيا 0.05 ميلبسكال (0.5 بار) قدرة حوض الغسيل 40 لتر
سرعة العصر الدورانية	حتى 500 دورة في الدقيقة
برامج تجربة الجهاز حسب القواعد IEC456	برنامج 2، درجة حرارة 60 درجة مئوية، تمت التجربة بحمل غسيل 5 كغم
	هذا الجهاز يطابق المواصفات المطلوبة من سوق الدول الأوروبية المشتركة: - بما يتعلق بفرق جهد منخفض - بما يتعلق التوافق الكهرومغناطيسي



وصف غسالة الملابس

لوحة القيادة



زر تشغيل/اطفاء ON/OFF لتشغيل واطفاء غسالة الملابس.
اطفاء الجهاز لا يلغي البرنامج المختار

حوض مساحيق الغسيل لوضع مساحيق الغسيل والمساحيق الاضافية (انظر صفحة رقم 23)

مصباح تشغيل/اطفاء ON/OFF لفهم ما اذا كانت غسالة الملابس تعمل

أزرار الوظائف لاختيار الوظائف التي تكون مزودة بها غسالة الملابس

مقبض البرمجة لوضع البرامج (انظر صفحة 21)
قوموا بتدوير هذا المقبض فقط باتجاه دوران عقارب الساعة والجهاز مطفاً

مقبض درجة الحرارة لوضع درجة حرارة الغسيل أو القيام بعملية الغسيل
بماء بارد (انظر الى صفحة 22)

تشغيل البرامج

ببساطة: تشغيل برنامج غسيل

6. عند انتهاء دورة الغسيل انتظروا تقريبا ثلاث دقائق. ومن ثم قوموا باطفاء الغسالة وذلك بالضغط على الزر ① في هذه اللحظة يمكنك فتح باب الغسالة بأمان، بعد اخراجكم الملابس التي تم غسلها في الغسالة اتركوا باب الغسالة نصف مفتوح بحيث يمكن للرطوبة التبخر من داخل حوض غسيل الغسالة، اغلقوا دائما محبس الماء.

1. اختيار ببساطة مقيض البرامج البرنامج الذي تودون استخدامه،
2. ضعوا درجة حرارة الغسيل (انظر الى صفحة رقم 22)
3. املئوا الغسالة بالملابس المراد غسلها واغلق باب الغسالة
4. صب مسحوق الغسيل والمساحيق الاضافية (انظر صفحة 23)
5. شغلوا الغسالة وذلك بالضغط على الزر ①.

لائحة البرامج

وصف دورة الغسيل	مدة البرنامج (دقائق)	منعمات	مسحوق		حرارة	برنامج	طبيعة الأنسجة ودرجة وساختها
			عادي	بدائي			
أنسجة قطنية							
غسيل بدائي، غسيل عادي، عملية فضفضة، عملية عصر دورانية متوسطة وأخري نهائية	150	◆	◆	◆	90 درجة	1	بيضاء فاتحة الوسخ (شراشف تخوت، شراشف طاولات، اليكخره).
غسيل عادي، عملية فضفضة، عملية عصر دورانية متوسطة وأخري نهائية	140	◆	◆		90 درجة	2	بيضاء كثيرة الوسخ (شراشف تخوت، شراشف طاولات، اليكخره).
غسيل عادي، عملية فضفضة، عملية عصر دورانية متوسطة وأخري نهائية	140	◆	◆		60 درجة	2	بيضاء وملونة بألوان ثابتة كثيرة الوسخ
غسيل عادي، عملية فضفضة، عملية عصر دورانية متوسطة وأخري نهائية	140	◆	◆		40 درجة	2	بيضاء وملونة بألوان ثابتة كثيرة الوسخ
غسيل عادي، عملية فضفضة، عملية عصر دورانية متوسطة وأخري نهائية	115	◆	◆		60 درجة	3	بيضاء وملونة بألوان ثابتة عادية الوسخ (ملابس ملونة، قمصان نوم، بلايز، الخ)
غسيل عادي، عملية فضفضة، عملية عصر دورانية متوسطة وأخري نهائية	115	◆	◆		40 درجة	3	بيضاء وملونة قليلة الوسخ
غسيل عادي، عملية فضفضة، عملية عصر دورانية متوسطة وأخري نهائية	95	◆	◆		40 درجة	4	بيضاء قليلة الوسخ وملونة بألوان حساسة (قمصان، بلايز، اليكخره)
عملية فضفضة، عملية عصر دورانية متوسطة وأخري نهائية		◆					فضفضة
عملية فضفضة مع أخذ المنعم بشكل اوتوماتيكي، عملية عصر دورانية متوسطة وأخري نهائية							معاملة الملابس بالمنعمات
تفريغ الماء من حوض غسيل الغسالة وعملية عصر دورانية نهائية							عملية عصر دورانية
أنسجة مستخرجة							
غسيل عادي، عملية فضفضة، ضد الجعكة أو عملية عصر دورانية حساسة	85	◆	◆		60 درجة	5	ألوان ثابتة كثيرة الوسخ (ملابس اطفال رضيع، الي اخره)
غسيل عادي، عملية فضفضة، ضد الجعكة أو عملية عصر دورانية حساسة	85	◆	◆		50 درجة	5	انسجة مستخرجة ملونة كثيرة الوسخ
غسيل عادي، عملية فضفضة، ضد الجعكة أو عملية عصر دورانية حساسة	85	◆	◆		40 درجة	5	انسجة مستخرجة بألوان حساسة كثيرة الوسخ
غسيل عادي، عملية فضفضة، ضد الجعكة أو عملية عصر دورانية حساسة	75	◆	◆		50 درجة	6	انسجة مستخرجة ملونة عادية الوسخ
عملية فضفضة، ضد الجعكة أو عملية عصر دورانية حساسة	65	◆	◆		40 درجة	7	انسجة مستخرجة بألوان حساسة قليلة الوسخ (ملابس من جميع الانواع قليلة الوسخ)
عملية فضفضة مع أخذ المنعم، ضد الجعكة أو عملية عصر دورانية حساسة		◆					فضفضة
عملية فضفضة مع أخذ المنعم بشكل اوتوماتيكي، ضد الجعكة أو عملية عصر دورانية حساسة							معاملة الملابس بالمنعمات
تفريغ الماء من حوض غسيل الغسالة وعملية عصر دورانية حساسة							عملية عصر دورانية
أنسجة حساسة							
غسيل عادي، عملية فضفضة، ضد الجعكة أو عملية عصر دورانية حساسة	55	◆	◆		40 درجة	8	صوف (يمكن غسله في غسالة)
عملية فضفضة، ضد الجعكة أو عملية عصر دورانية حساسة		◆					فضفضة
عملية فضفضة مع أخذ المنعم بشكل اوتوماتيكي، ضد الجعكة أو عملية عصر دورانية حساسة		◆					معاملة الملابس بالمنعمات
تفريغ الماء من حوض الغسالة وعملية عصر دورانية حساسة							عملية عصر دورانية
عملية تفريغ الماء من حوض غسيل الغسالة							تفريغ الماء من حوض الغسالة

ملاحظة



لوصف ضد الجعكة: انظر الى صفحة رقم 22، المعلومات المقدمة في اللائحة هي أرقام تقريبية.

وضع درجة الحرارة

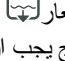
بتدوير مقبض منظم درجة الحرارة يتم وضع درجة حرارة الغسيل (انظر الى لوحة البرامج في صفحة 21) يمكن تخفيض درجة حرارة الغسيل حتى الوصول الى الغسيل بماء بارد ❄️.

الوظائف

الوظائف المختلفة التي من الممكن استخدامها عند عملية الغسيل وموفرة من قبل الغسالة تساعد على الحصول على غسيل أنظف وبياض ناصع مثل رغبتكم، لاختيار الوظائف المختلفة اضغط الزر الخاص بالوظيفة التي تودون استخدامها حسب اللائحة التالية:

الإضافة	تأثيرها	ملاحظة للاستعمال
 نصف حمل	يقلل من مصروف الماء خلال عملية الفضة	ينصح استخدامه عندما يكون حمل الغسالة قليل ويجب التقليل من كمية مسحوق الغسيل المستعمل بالتناسب مع كمية الملابس المراد غسلها
 فصل عملية العصر الدورانية	يلزم عندما تبردون فصل عملية العصر الدورانية	ينصح استخدام هذه الوظيفة عند غسل ملابس صعبة الكوي

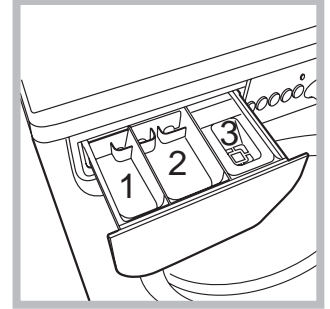
ضد الجعلكة

هذه الوظيفة (المشار لها بالشعار ●) توقف دورة الغسيل تاركة الملابس في النقع بالماء قبل القيام بعملية العصر الدورانية، يمكن استخدام هذه الوظيفة فقط في البرامج الحساسة، الأنسجة المستخرجة والصوف، انها وظيفة ثمينة لانها تجنب الانسجة الحساسة والمستخرجة من الجعلكة (مثلا عندما لا يمكنكم اخراج الملابس من الغسالة بعد انتهاء دورة الغسيل مباشرة ولكن يمكنكم اخراجها بعد مضي عدة ساعات). هذا البرنامج يمكن اتمامه بعملية عصر دورانية أو بعملية تفرغ الماء من حوض غسيل الغسالة بدون القيام بعملية العصر. في الحالة الاولى يكفي تدوير مقبض البرامج باتجاه دوران عقارب الساعة فقرة واحدة، في الحالة الثانية يجب وضع مقبض البرامج على الوضع المشار له بالشعار  .
 في كلا الحالتين عملية تدوير مقبض البرامج يجب ان يتم والغسالة مطفأة.

حوض مساحيق الغسيل

النتائج الجيدة لعملية الغسيل تعتمد أيضا على كمية مسحوق الغسيل الصحيحة، عند وضع كمية أكثر من الحاجة من مسحوق الغسيل لا تتم عملية الغسيل بشكل فعال و تساعد على تكون ترسبات داخ المناطق الداخلية من الغسالة بالإضافة الى تلوث البيئة.

اخرج حوض مساحيق الغسيل من مكانه وضع مسحوق الغسيل والمساحيق الاضافية التي تودون استخدامها بالشكل التالي



انسجة خاصة
برادي: اطوي البرداية وضعها داخل غطاء وسادة أو كيس شبكة، اغسلوها لوحدها دون تعدي وزن نصف حمل الغسالة.

لحف و جكيتات ضد الهواء: اذا كانت حشوة هذر ريش بط أو حبش يمكن القيام بعملية غسلها داخل الغسالة، اقلبوا هذه الملابس وليكون الحمل الأقصى للغسالة لا يزيد عن 2-3 كغم ، اعيدوا دورة الففضضة مرة أو مرتين مستخدمين عملية العصر الحساسة.

بوات رياضة: نظف بوت الرياضة من الوحل، يمكن غسلها مع الجينز والملابس القوية، لا تغسلوها مع الملابس البيضاء.

صوف: للحصول على أفضل نتائج غسيل الصوف استخدموا سوائل أو مساحيق غسيل خاص لغسل الصوف وزن حمل الغسالة يجب أن لا يتعدى 1 كغم

الحوض 1: مساحيق الغسيل الاضافي (بودرة)

الحوض 2: مساحيق الغسيل العادي (بودرة او سائل)
المنظف السائل يتم صبه فقط قبل تشغيل الغسالة.

الحوض 3: مساحيق اضافية (منعمات، الى اخره)
السائل المنعم يجب أن لا يخرج خارج الشبكة

لا تستخدموا مساحيق غسيل خاصة بالغسيل على اليد لانها تكون رغو كثيرة.

تحضير الملابس للغسيل

- افصلوا الملابس المراد غسلها حسب:
- نوع الأنسجة/ الشعار موجود على اللوحة المثبتة على الملابس
- الألوان: افصلوا الملابس الملونة عن الملابس البيضاء
- فرغوا الجيوب من محتوياتها وتأكدوا من ثبات الازرار
- لا تتعدوا القيم المشار لها، التي تتعلق بوزن الملابس المراد غسلها وهي جافة:
انسجة قوية : اقصى حمل للغسالة 5 كغم
انسجة مستخرجة: اقصى حمل للغسالة 2.5 كغم
أنسجة حساسة: اقصى حمل للغسالة 2 كغم
صوف: اقصى حمل للغسالة 1 كغم

كم تزن الملابس؟

- 1 شرشف تخت 400-500 غرام
- 1 غطاء وسادة 150-200 غرام
- 1 شرشف طاولة أكل 400-500 غرام
- 1 روب حمام 900-1200 غرام
- 1 بشكير 150-250 غرام

الاقتصاد واحترام البيئة

- **التوفير في مسحوق الغسيل، الماء، الطاقة الكهربائية، والزمن**
● لعدم التبذير والاسراف في الدخل استخدموا الغسالة عندما يتوفر حملها الكامل، حمل كامل للغسالة مكان حملين بنصف الكمية يوفر 50% من الطاقة.
- عملية الغسيل البدائي ضروري فقط عندما تكزن الملابس كثيرة الوسخ، تجنب عملية الغسيل البدائي يوفر في مسحوق الغسيل، الزمن، ماء وما بين 5 الى 15% من الطاقة المستهلكة.
- استخدام مزيل للبقع أو ترك الملابس في النقع قبل القيام بعملية الغسيل تقلل من ضرورة القيام بعملية الغسيل على درجات حرارة عالية، برنامج على 60 درجة مئوية بدل من 90 درجة مئوية أو دورة غسيل على 40 درجة مئوية بدل من 60 درجة مئوية توفر حتى 50% من الطاقة الكهربائية .
- استخدم كمية مسحوق الغسيل بالتناسب مع قساوة الماء المستخدم في عملية الغسيل، ومع درجة وساخة الملابس ومع كمية الملابس المراد غسلها، تجنب الاسراف واحمي البيئة، حتى لو كان مسحوق الغسيل قابل للتحلل، لانه يحتوي على مواد كيميائية التي تتلف التوازن البيئي، وايضا تجنبوا استخدام المنعمات.
- القيام بعملية الغسيل بواسطة الغسالة الكهربائية في المساء حتى ساعات الصباح المبكر تخفف حمل امصاص التيار الكهربائي على شركة الكهرباء حيث تكون تعمل المصانع والشركات، استخدام مؤخر برنامج الغسيل (انظر صفحة رقم 7) يساعدكم على برمجة وتنظيم الغسيل في الساعات التي ترونها مناسبة.
- اذا كان الغسيل يجب أن تتم عملية تجفيفه بواسطة مجففة كهربائية، استخدموا أقصى سرعة عصر دورانية، قلة الماء الموجود في الملابس المراد تجفيفها توفر عليكم زمن وطاقة في برنامج التشييف.

غسالة الملابس تم تصميمها وتصنيعها لتكون خاضعة لجميع قواعد الأمن المتعارف عليها دولياً، هذه التحذيرات مقدمة لأسباب أمنية ويجب قرائتها بتمعن.

أمن عام

- هذا الجهاز تم تصميمه فقط للاستعمال البيتي.
- يجب استخدام الغسالة الكهربائية من قبل أشخاص بالغين وبحسب التعليمات الموجودة في هذا الكتيب.
- لا تلمسوا الجهاز والأرجل عارية أو الأيدي أو الأرجل مبلولة أو رطبة.
- لا تفصلوا الجهاز من منبع التيار الكهربائي وذلك بشد سلك التغذية الكهربائية بل قوموا بسحب قابس التيار الكهربائي (الذكر) من منبع الكهرباء.
- لا تفتحوا حوض مساحيق الغسيل خلال عمل الجهاز.
- لا تلمسوا الماء الذي يفرغ من الغسالة لأنه قد يصل الى درجات حرارة عالية.
- لا تشدوا بقوة بأي حال من الأحوال باب الغسالة وهو ما زال مقفل، لأنه من الممكن اتلاف جهاز الأمن الذي يمنع فتح باب الغسالة بشكل عفوي خلال عمل الجهاز.
- في حال حدوث خلل في الجهاز لا تحاول الوصول الى الأجهزة الداخلية لمحاولة تصليح الجهاز.
- تأكدوا دائماً من عدم تقرب الأطفال من الجهاز خلال عمله.
- خلال عملية الغسيل باب الغسالة قد ترتفع درجة حرارته ويصبح ساخناً.
- اذا أردتم تحريك أو نقل الجهاز من مكانه استعن بشخص أو بشخصين وخذوا فائق الحذر لأن الجهاز ثقيل ولا تحاول القيام بهذا لوحدهم.
- قبل ادخال الملابس داخل حوض غسيل الغسالة تأكد من حوض الغسيل فارغ.

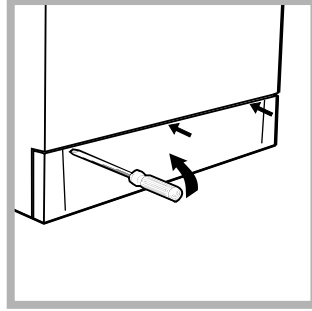
التخلص من النفايات

- التخلص من مواد التغليف :
احترم القوانين المحلية، لأنه من الممكن الاستفادة من التغليف واعداد تصنيعه
- التخلص من الغسالة القديمة :
قبل التخلص منها اجعلها غير صالحة الاستعمال وذلك بقطع سلك التغذية الكهربائية وبخلع باب الغسالة.

افصلوا الماء والطاقة الكهربائية

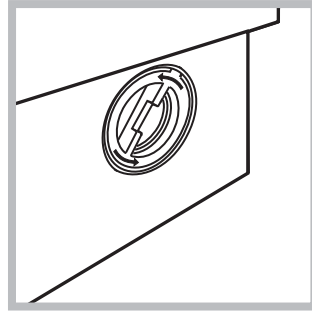
تأكد من انتهاء برنامج الغسيل وافصل الجهاز من منبع التيار الكهربائي.

للوصول الى الحجر الأمامية من المضخة:



1. اخلع الغطاء الذي يغطي الجهاز من الأمام وذلك باستخدام مفك (انظر الى الشكل)

2. فك الغطاء وذلك بتدويره بعكس اتجاه دوران عقارب الساعة (انظر الشكل) من الطبيعي خروج قليلا من الماء عند فتح الغطاء.



3. نظفوا داخل الحجر جيداً

4. ركب الغطاء من جديد

5. ركب الغطاء الخارجي للجهاز وتأكد قبل ضغطه باتجاه الجهاز من دخول الألسنة في الفتحة الخاصة بهم.

افحص خرطوم تغذية الجهاز بالماء

افحص الخرطوم الذي يغذي الجهاز بالماء مرة في السنة على الأقل، اذا كان ظاهراً عليه شقوق او أماكن تالفة يجب القيام بعملية تبديله، خلال عملية الغسيل ضغط الماء العالي من الممكن أن يسطح هذا الخرطوم. لا تستخدموا أبداً خرطوم مستعملة.

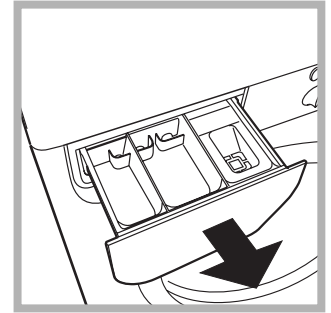
● أغلقوا محبس الماء بعد كل عملية غسيل، بهذا الشكل يتم التقليل من استهلاك الشبكة الهيدرووليكي لغسالة الملابس ويتم ازالة خطر تسرب الماء من الخرطوم.

● افصل قابس التيار الكهربائي (الذكر) من منبع التيار الكهربائي عند القيام بعملية تنظيف الجهاز وخلال عمليات الصيانة لغسالة الملابس.

تنظيف غسالة الملابس

المنطقة الخارجية والمناطق المصنوعة من الكوشك يمكن تنظيفها بواسطة قطعة قماش مبلولة بماء فاتر وصابون، لا تستخدموا مواد محللة أو خادشة.

تنظيف حوض مساحيق الغسيل



اخرج الجارور من مكانه وذلك برفعه قليلا الى الأعلى وبشده الى الخارج (انظر الشكل).

اغسله تحت مجرى ماء، هذه عملية التنظيف يجب عملها باستمرار

الحفاظ على باب الغسالة و حوض غسيل الغسالة

● اترك دائما باب الغسالة نصف مفتوح وذلك لتجنب تكون روائح كريهة داخل حوض غسيل الغسالة.

تنظيف مضخة تفريغ الماء من الغسالة

الغسالة مزودة بمضخة تفريغ الماء من الغسالة قادرة على تنظيف نفسها بنفسها وليست بحاجة الى أية عملية تنظيف أو صيانة، ولكن من الممكن أن يحدث أن أشياء صغيرة مثل (قطع معدنية أو أزرار) قد تقع داخل الحجر الأمامية للمضخة هذه الحجر تحفظ المضخة من التلف وتكون موجودة في المنطة السفلية منها.

من الممكن أن غسالة الملابس لا تشتغل، قبل الاتصال بقسم الصيانة الفنية (انظر صفحة 27) تأكد من أنها ليست مشكلة سهلة الحل، لنستعين بهذه اللائحة.

الأسباب الممكنة/حلول

شذوذ في عمل الجهاز

- | | |
|--|---|
| <ul style="list-style-type: none"> ● قابس التيار الكهربائي (الذكر) ليس موضوع في منبع التيار الكهربائي، أو ليس بالكمية الكافية حتى يتم التوصيل. ● في البيت لا يوجد تيار كهربائي | <p>الغسالة لا تشتغل</p> |
| <ul style="list-style-type: none"> ● باب الغسالة غير مغلق بشكل كامل ● الزر ① ليس مضغوط ● محبس الماء غير مفتوح | <p>دورة الغسيل لا تبدأ</p> |
| <ul style="list-style-type: none"> ● خرطوم تغذية الجهاز بالماء غير مربوط بمحبس الماء ● خرطوم الماء مطوي ● محبس الماء غير مفتوح ● في البيت لا يوجد ماء ● ضغط شبكة الماء غير كافي | <p>الغسالة لا تأخذ ماء</p> |
| <ul style="list-style-type: none"> ● خرطوم تفريغ الغسالة من الماء غير موضوع على ارتفاع ما بين 65 و 100 سنتيمتر عن سطح الأرض (انظر صفحة 17) ● حرف خرطوم اخراج الماء من الغسالة مغمور في الماء (انظر صفحة 17) ● مصرف الماء الموجود في الحائط لا يوجد له منفس لهواء <p>إذا بعد كل هذه الفحوصات المشكلة لم تحل، اغلق محبس الماء، اطفئ الجهاز، واستدعي قسم الصيانة الفنية، إذا كانت الشقة موجودة في اخر طوابق البناء من الممكن حدوث ظاهرة شفط للماء الموجود داخل الغسالة عن طريق المصرف الموجود في الحائط، ولهذا الغسالة تأخذ الماء والمصرف يفرغه منها، لحل هذه المشكلة موجود في الأسواق صمامات ضد شفط المصرف.</p> | <p>الغسالة تأخذ الماء وتفرغه باستمرار</p> |
| <ul style="list-style-type: none"> ● البرنامج لا يقوم بعملية تفريغ الماء، في بعض البرامج يجب تشغيل التفريغ وعملية العصر يدويا. (انظر الى صفحة 21) ● تعمل الوظيفة ضد الجعلكة (في الأجهزة التي تحتوي على هذه الوظيفة): هذه الوظيفة تحتاج الى تشغيل عملية التفريغ يدويا ● خرطوم تفريغ الماء من الغسالة مطوي (انظر صفحة 17) ● ماسورة مصرف الماء مسدودة. | <p>الغسالة لا تفرغ الماء ولا تقوم بعملية العصر الدورانية</p> |
| <ul style="list-style-type: none"> ● حوض الغسيل لم يتم تحريره عند عملية تركيب الجهاز (انظر الى صفحة رقم 16) ● غسالة الملابس ليست موضوعة في مكان مستوي (انظر الى صفحة رقم 16) ● الغسالة محشورة بين الأثاث والحائط (انظر الى صفحة رقم 16) | <p>غسالة الملابس تهتز كثيرا خلال عملية العصر الدورانية</p> |
| <ul style="list-style-type: none"> ● خرطوم تغذية الغسالة بالماء ليس مشدود بالشكل الكافي (انظر الى صفحة رقم 16) ● حوض مساحيق الغسيل مسدود من بقايا مساحيق الغسيل (للقيام بعملية تنظيفه انظر صفحة 25) ● خرطوم تفريغ الماء من الغسالة ليس مثبت جيداً (انظر الى صفحة رقم 17) | <p>الغسالة تفقد ماء</p> |
| <ul style="list-style-type: none"> ● مسحوق الغسيل غير خاص لغسيل بغسالة كهربائية (يجب أن يكون مكتوب عليه خاص بغسالة كهربائية أو «على اليد وفي غسالة» أو اي شي يشير الى امكانية استخدامه للغسالة) ● الكمية المستخدمة كبيرة | <p>يتكون كمية كبيرة من الرغوة</p> |

قبل استدعاء الصيانة الفنية:

- تأكد من الخراب أو العطب يمكن حل هذه المشكلة لوحدهم (انظر صفحة رقم 26)
 - أعد تشغيل الغسالة لتأكد من العطب تم حله والغسالة اشتغلت بالشكل الصحيح.
 - في حالة النفي، اتصلوا بقسم الصيانة الفنية المخولة من قبل الشركة الصانعة بالقيام بعملية الصيانة على رقم التلفون الموجود على شهادة الضمان.
- لا تستعينوا أبداً بفنيين غير مخولين من قبل الشركة الصانعة بالقيام بعملية الصيانة.

أعطوا المعلومات التالية:

- نوع العطب
 - مديل الجهاز (Mod)
 - رقم التسلسلي للجهاز (S/N)
- هذه المعلومات تكون موجودة على لوحة المواصفات الفنية الملصقة على المنطقة الخلفية من غسالة الملابس.



F

Français

WI 52

Sommaire

Installation, 30-31-32-33

Déballage et mise à niveau, 30
Raccordements hydrauliques et électriques, 30-31
Premier cycle de lavage, 32
Caractéristiques techniques, 33

Description du lave-linge, 34

Bandeau de commandes, 34

Mise en marche et Programmes, 35

En bref: démarrage d'un programme, 35
Tableau des programmes, 35

Personnalisations, 36

Sélection de la température, 36
Fonctions, 36

Produits lessiviels et linge, 37

Tiroir à produits lessiviels, 37
Triage du linge, 37
Pièces de linge particulières, 37

Précautions et conseils, 38

Sécurité générale, 38
Mise au rebut, 38
Economies et respect de l'environnement, 38

Entretien et soin, 39

Coupure de l'arrivée d'eau et de courant, 39
Nettoyage du lave-linge, 39
Nettoyage du tiroir à produits lessiviels, 39
Entretien du hublot et du tambour, 39
Nettoyage de la pompe, 39
Contrôle du tuyau d'arrivée de l'eau, 39

Anomalies et remèdes, 40

Assistance, 41

Consultation à tout moment, 41

Installation

F

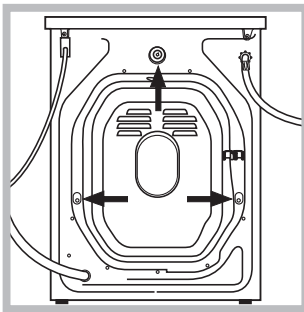
! Conservez ce mode d'emploi pour pouvoir le consulter à tout moment. En cas de vente, de cession ou de déménagement, veillez à ce qu'il suive toujours le lave-linge pour que son nouveau propriétaire soit informé sur son mode de fonctionnement et puisse profiter des conseils correspondants.

! Lisez attentivement les instructions: elles fournissent d'importantes informations sur l'installation, l'utilisation et la sécurité.

Déballage et mise à niveau

Déballage

1. Déballez le lave-linge.
2. Contrôlez que le lave-linge n'a pas été endommagé pendant le transport. S'il est abîmé, ne le raccordez pas et contactez votre revendeur.



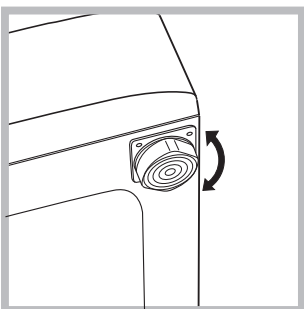
3. Enlevez les 3 vis de protection pour le transport, le caoutchouc et la cale, placés dans la partie arrière (voir figure).

4. Bouchez les trous à l'aide des bouchons plastique fournis.
5. Bouchez à l'aide du bouchon fourni les trois trous où était logée la prise, situés sur la partie arrière, en bas à droite.
6. Conservez bien toutes ces pièces: il faudra les remonter en cas de transport du lave-linge.

! Les emballages ne sont pas des jouets pour enfants.

Mise à niveau

1. Installez le lave-linge sur un sol plat et rigide, sans l'appuyer contre des murs, des meubles ou autre.

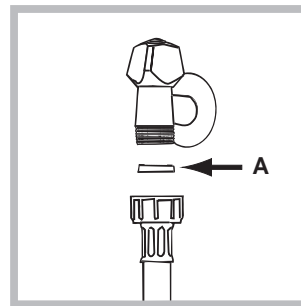


2. Si le sol n'est pas parfaitement horizontal, vissez ou dévissez les petits pieds avant (voir figure) pour niveler l'appareil; son angle d'inclinaison, mesuré sur le plan de travail, ne doit pas dépasser 2°.

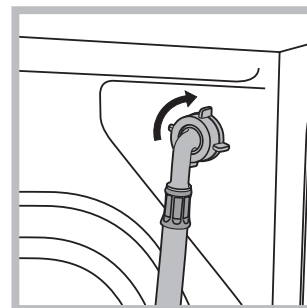
Une bonne mise à niveau garantit la stabilité de la machine et évite qu'il y ait des vibrations, du bruit et des déplacements en cours de fonctionnement. Si la machine est posée sur de la moquette ou un tapis, réglez les petits pieds de manière à ce qu'il y ait suffisamment d'espace pour assurer une bonne ventilation.

Raccordements hydrauliques et électriques

Raccordement du tuyau d'arrivée de l'eau



1. Montez le joint A sur l'extrémité du tuyau d'alimentation et vissez-le à un robinet d'eau froide à embout fileté 3/4 gaz (voir figure). Faites couler l'eau jusqu'à ce qu'elle soit limpide et sans impuretés avant de raccorder.



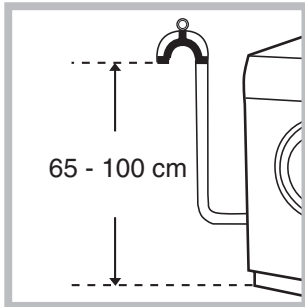
2. Raccordez le tuyau d'alimentation au lave-linge en le vissant à la prise d'eau prévue, dans la partie arrière en haut à droite (voir figure).

3. Faites attention à ce que le tuyau ne soit ni plié ni écrasé.

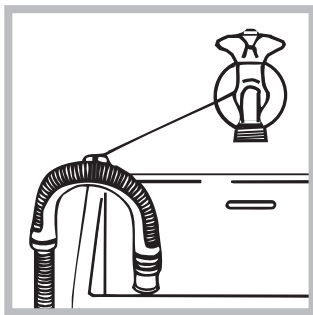
! La pression de l'eau doit être comprise entre les valeurs indiquées dans le tableau des Caractéristiques techniques (voir page ci-contre).

! Si la longueur du tuyau d'alimentation ne suffit pas, adressez-vous à un magasin spécialisé ou à un technicien agréé.

Raccordement du tuyau de vidange



Raccordez le tuyau d'évacuation, sans le plier, à un conduit d'évacuation ou à une évacuation murale placés à une distance du sol comprise entre 65 et 100 cm;



ou bien accrochez-le à un évier ou à une baignoire, dans ce cas, fixez le support en plastique fourni avec l'appareil au robinet (voir figure). L'extrémité libre du tuyau d'évacuation ne doit pas être plongée dans l'eau.

! L'utilisation de tuyaux de rallonge est absolument déconseillée, si vous ne pouvez vraiment pas faire autrement vous devrez utiliser un tuyau de même diamètre et de longueur maximum de 150 cm.

Branchement électrique

Avant de brancher votre électroménager à la prise de courant, contrôlez que:

- la prise est bien avec terre et conforme aux réglementations applicables en la matière;
- la prise électrique est bien apte à supporter la puissance maximum de l'électroménager figurant sur la plaquette des caractéristiques (voir page 33);
- la tension d'alimentation est bien comprise entre les valeurs figurant sur la plaquette des caractéristiques (voir page 33);
- la prise est bien compatible avec la fiche du lave-linge. Autrement, remplacez la prise ou la fiche.

Votre électroménager dispose à présent d'une fiche moulée 13 ampères qui peut être branchée dans une prise compatible pour utilisation immédiate. Veuillez lire les instructions suivantes avant d'utiliser votre électroménager.

ATTENTION - L'ELECTROMENAGER DOIT ETRE RACCORDE A LA MASSE. LES OPERATIONS DECRITES CI-APRES DOIVENT ETRE EFFECTUEES PAR UN ELECTRICIEN QUALIFIE.

Remplacement du fusible:

En cas de remplacement d'un fusible défectueux, utilisez toujours des fusibles de 13 ampères ASTA conformes au standard BS1362 et remontez le couvercle du fusible. Si vous avez perdu le couvercle du fusible, n'utilisez pas la fiche tant que la pièce manquante n'aura pas été remplacée.

Couvercles des fusibles:

Si vous remplacez le couvercle du fusible, veillez à ce que sa couleur soit bien celle qui est indiquée par le code ou l'indication colorée à la base de la fiche. Pour toute pièce détachée, adressez-vous directement au centre d'assistance technique le plus proche de chez vous.

Démontage de la fiche:

Si l'électroménager est équipé d'une fiche incorporée qui ne peut pas être câblée à nouveau et s'il faut faire passer le câble à travers des divisions, des unités, etc. contrôlez que:

la fiche est bien remplacée par une autre câblable à nouveau de 13 ampères portant la marque BSI ou bien: que le câble est bien raccordé directement à la prise de 13 ampères, contrôlée par un interrupteur (conforme BS 5733) accessible sans qu'il faille déplacer l'électroménager.

Elimination de la fiche:

Avant d'éliminer la fiche, rendez les broches inutilisables de manière à ce que la fiche ne puisse pas être branchée accidentellement dans une prise.

Instructions pour le raccordement du câble à une fiche alternative:

Important: les couleurs des fils du câble de réseau correspondent à la codification suivante:

Jaune/Vert	Terre
Bleu	Neutre
Marron	Alimenté

Les couleurs des fils du câble pourraient ne pas correspondre aux indications de couleur qui identifient les broches de la fiche, procédez comme suit:

raccordez le fil jaune/vert à la borne repérée par la lettre **E** ou \perp ou de couleur verte ou jaune/vert
raccordez le fil marron à la borne repérée par la lettre **L** ou de couleur rouge
raccordez le fil bleu à la borne repérée par la lettre **N** ou de couleur noire.

L

Installation

Description

Programmes

Bac produits

Précautions

Entretien

Anomalies

Assistance

En cas d'utilisation d'une fiche de 13 ampères (BS 1363), installez un fusible de 13 ampères dans la fiche ou sur l'adaptateur ou sur la carte de distribution.

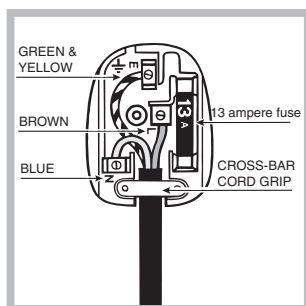
En cas de doute sur l'alimentation électrique de votre électroménager, faites appel à un électricien qualifié avant de le mettre en service.

Raccordement d'une fiche alternative:
les couleurs des fils du câble de réseau correspondent à la codification suivante:

BLEU	NEUTRE (N)
MARRON	ALIMENTE (L)
JAUNE/VERT	TERRE (E)

Elimination de l'électroménager:

Lors de la mise au rebut de l'électroménager, débarrassez-le de sa fiche en coupant le câble d'alimentation le plus près possible de cette dernière et éliminez comme décrit précédemment.



! Votre lave-linge ne doit pas être installé dehors, même à l'abri, car il est très dangereux de le laisser exposé à la pluie et aux orages.

! Après installation du lave-linge, la prise de courant doit être facilement accessible.

! N'utilisez ni rallonges ni prises multiples.


! Le câble ne doit être ni plié ni écrasé.

! Le câble d'alimentation ne doit être remplacé que par des techniciens agréés.

Attention! Nous déclinons toute responsabilité en cas de non respect des normes énumérées ci-dessus.

Premier cycle de lavage

Avant la première utilisation de la machine, effectuez un cycle de lavage avec un produit lessiviel mais sans linge et sélectionnez le programme à 90°C sans prélavage.

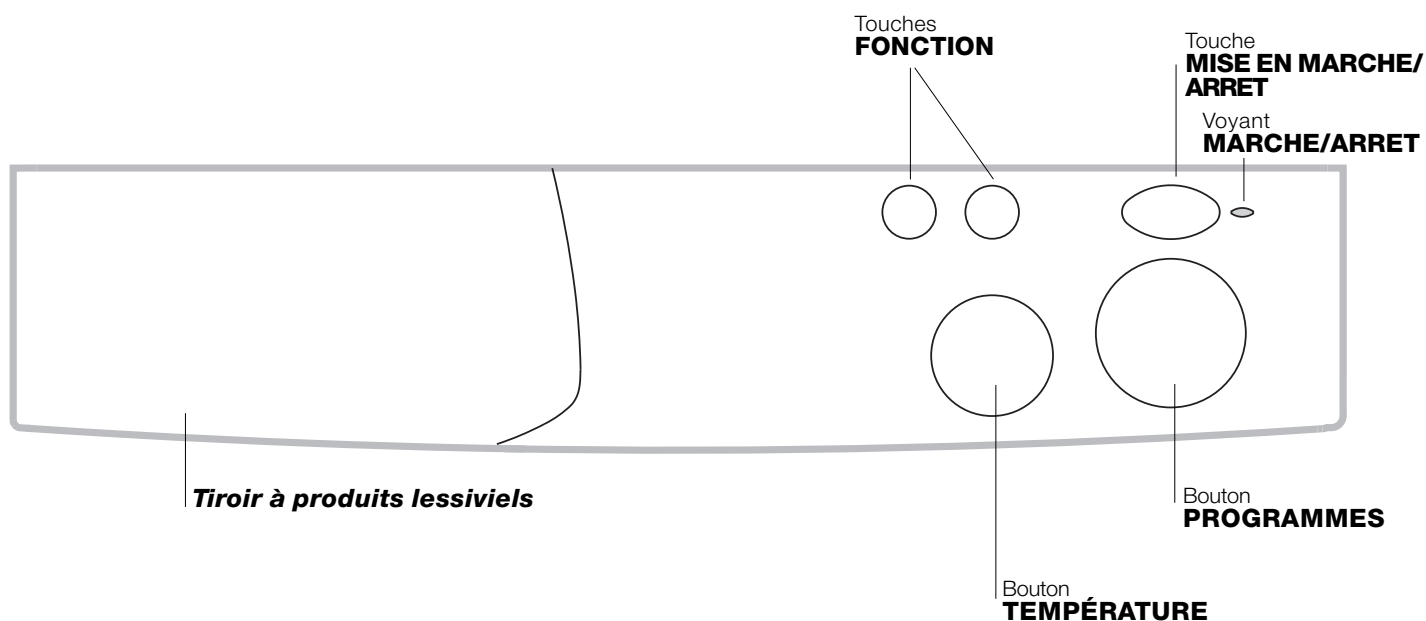
Caractéristiques techniques	
Modèle	WI 52
Dimensions	largeur 59,5 cm hauteur 85 cm profondeur 52,5 cm
Capacité	de 1 à 5 kg
Raccordements électriques	tension 220/230 Volt 60 Hz puissance maximale absorbée 1750 W
Raccordements hydrauliques	pression maximale 1 MPa (10 bar) pression minimale 0,05 MPa (0,5 bar) capacité du tambour 40 litres
Vitesse d'essorage	jusqu'à 500 tours minute
Programmes de contrôle selon la norme IEC456	programme 2; température 60°C; effectué avec une charge de 5 kg.
	Cet appareil est conforme aux Directives Communautaires suivantes: - 73/23/CEE du 19/02/73 (Basse Tension) et modifications suivantes - 89/336/CEE du 03/05/89 (Compatibilité électromagnétique) et modifications suivantes

I
Installation
Description
Programmes
Bac produits
Précautions
Entretien
Anomalies
Assistance

Description du lave-linge

F

Bandeau de commandes



Tiroir à produits lessiviels: chargement des produits lessiviels et additifs (*voir page 37*).

Touche **FONCTION**: sélection des fonctions disponibles.

Bouton **TEMPÉRATURE**: sélection de la température ou lavage à froid (*voir page 36*).

Touche **MARCHÉ/ARRET** pour allumer ou éteindre le lave-linge.

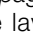
Voyant **MARCHÉ/ARRET** pour comprendre si votre lave-linge est allumé.

Bouton **PROGRAMMES**: choix des programmes (*voir page 35*).

Tournez cette manette exclusivement dans le sens des aiguilles d'une montre et lorsque l'appareil est éteint.

Mise en marche et Programmes

En bref: démarrage d'un programme

1. Sélectionnez le programme souhaité.
2. Sélectionnez la température de lavage (voir page 36).
3. Chargez votre lave-linge et fermez le hublot.
4. Versez le produit lessiviel et les additifs (voir page 37).
5. Appuyez sur la touche  pour allumer le lave-linge.

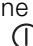
6. A la fin du programme de lavage attendez trois minutes.
Eteignez alors la machine à laver en appuyant sur la touche marche-arrêt .
- Vous pouvez alors ouvrir le hublot en toute sécurité. Après avoir sorti le linge, laissez le hublot ouvert ou entrouvert pour que l'humidité à l'intérieur puisse s'évaporer.
Fermez toujours le robinet de l'eau.

Tableau des programmes

Nature des tissus et degré de salissure	Programmes	Température	Lessive		Adoucissant	Durée du cycle (minutes)	Description du cycle de lavage
			prélav.	lavag.			
Coton							
Blancs extrêmement sales (draps, nappes etc.)	1	90°C	•	•	•	150	Prélavage, lavage, rinçages, essorages intermédiaires et final
Blancs très sales (draps, nappes, etc.)	2	90°C		•	•	140	Lavage, rinçages, essorages intermédiaires et final
Blancs et couleurs résistants très sales	2	60°C		•	•	140	Lavage, rinçages, essorages intermédiaires et final
Blancs et couleurs très sales	2	40°C		•	•	140	Lavage, rinçages, essorages intermédiaires et final
Blancs et couleurs résistants normalement sales linge coloré, robes de chambre, pulls etc.)	3	60°C		•	•	115	Lavage, rinçages, essorages intermédiaires et final
Blancs et couleurs peu sales	3	40°C		•	•	115	Lavage, rinçages, essorages intermédiaires et final
Blancs et couleurs délicats peu sales (chemises, pulls etc.)	4	40°C		•	•	95	Lavage, rinçages, essorages intermédiaires et final
Rinçage					•		Rinçages, essorages intermédiaires et final
Adoucissant					•		Rinçages avec prise automatique de l'adoucissant, essorages intermédiaires et final
Essorage							Vidange et essorage final
Synthétiques							
Synthétiques colorés résistants très sales (linge de bébé, etc.)	5	60°C		•	•	85	Lavage, rinçages, arrêt cuve plein ou essorage délicat
Synthétiques colorés très sales	5	50°C		•	•	85	Lavage, rinçages, arrêt cuve plein ou essorage délicat
Synthétiques aux couleurs délicates très sales	5	40°C		•	•	85	Lavage, rinçages, arrêt cuve plein ou essorage délicat
Synthétiques colorés normalement sales	6	50°C		•	•	75	Lavage, rinçages, arrêt cuve plein ou essorage délicat
Synthétiques aux couleurs délicates peu sales (linge en tout genre légèrement sale)	7	40°C		•	•	65	Lavage, rinçages, arrêt cuve plein ou essorage délicat
Rinçage					•		Rinçages, arrêt cuve plein ou essorage délicat
Adoucissant					•		Rinçages avec prise de l'adoucissant, arrêt cuve plein ou essorage délicat
Essorage							Vidange et essorage délicat
Delicat							
Laine (lavable à la machine)	8	40°C		•	•	55	Lavage, rinçages, arrêt cuve plein ou essorage délicat
Rinçage					•		Rinçages, arrêt cuve plein ou essorage délicat
Adoucissant					•		Rinçages avec prise de l'adoucissant, arrêt cuve plein ou essorage délicat
Essorage							Vidange et essorage délicat
Vidange							Vidange sans essorage

Remarque

Pour la description de la fonction arrêt cuve plein voir page 36. Les données reportées dans le tableau sont à titre indicatif.

L

Installation

Description

Programmes

Bac produits

Précautions

Entretien

Anomalies

Assistance

Personnalisations



F

Sélection de la température


Tournez le bouton TEMPERATURE pour sélectionner la température de lavage (voir Tableau des programmes page 35). Vous pouvez réduire la température jusqu'au lavage à froid (❄).

Fonctions

Les différentes fonctions de lavage prévues par le lave-linge permettent d'obtenir la propreté et le blanc souhaités. Pour activer les fonctions, appuyez sur la touche correspondant à la fonction désirée, d'après le tableau ci-dessous:

Fonctions	Effet	Mode d'emploi
 Demi-charge	Réduit la consommation d'eau lors des rinçages.	Nous vous conseillons de ne l'utiliser qu'en cas de chargement incomplet et de réduire la quantité de produit lessiviel.
 Suppression essorage	Cette fonction sert à supprimer l'essorage	Conseillée en cas de lavage de textiles difficiles à repasser.

Arrêt cuve pleine

Cette fonction (repérée par le symbole ●) arrête le programme de lavage lorsque la cuve est encore pleine d'eau, juste avant l'essorage. Elle n'est active que pour les programmes de lavage des textiles synthétiques et de la laine. Cette fonction est très utile car elle évite toute froissure excessive sur les textiles délicats et synthétiques (par exemple, lorsque vous ne pouvez retirer le linge de la machine que quelques heures après la fin du lavage). Pour compléter le programme, vous pouvez choisir entre l'essorage ou le vidage sans essorage. Dans le premier cas, il suffit de tourner la bouton PROGRAMMES d'un cran dans le sens des aiguilles d'une montre. Dans le deuxième cas, il faut placer la bouton PROGRAMMES sur la position . Dans les deux cas, ne tournez la bouton PROGRAMMES que lorsque la machine est arrêtée.

Tiroir à produits lessiviels

Un bon résultat de lavage dépend aussi d'un bon dosage de produit lessiviel: un excès de lessive ne lave pas mieux, il incruste l'intérieur de votre lave-linge et pollue l'environnement.



Sortez le tiroir à produits lessiviels et versez la lessive ou l'additif comme suit.

bac 1: Lessive pré-lavage (en poudre)

bac 2: Lessive lavage (en poudre ou liquide)

Versez la lessive liquide juste avant la mise en marche.

bac 3: Additifs (adoucissant, etc.)

L'assouplissant ne doit pas déborder de la grille.

! N'utilisez pas de lessives pour lavage à la main, elles génèrent trop de mousse.

Triage du linge

- Triez correctement votre linge d'après:
 - le type de textile / le symbole sur l'étiquette.
 - les couleurs: séparez le linge coloré du blanc.
- Videz les poches et contrôlez les boutons.
- Ne dépassez pas les valeurs indiquées correspondant au poids de linge sec:
 - Textiles résistants: 5 kg max.
 - Textiles synthétiques: 2,5 kg max.
 - Textiles délicats: 2 kg max.
 - Laine: 1 kg max.

Combien pèse le linge ?

- 1 drap 400-500 g
- 1 taie d'oreiller 150-200 g
- 1 nappe 400-500 g
- 1 peignoir 900-1.200 g
- 1 serviette éponge 150-250 g

Pièces de linge particulières

Rideaux: pliez-les bien et glissez-les dans une taie d'oreiller ou dans un sac genre filet. Lavez-les seuls sans dépasser la demi-charge.

Doudoues et anoraks: s'ils sont en duvet d'oie ou de canard, ils peuvent être lavés à la machine. Lavez les vêtements sur l'envers. La charge ne doit pas excéder 2-3 kg. Prévoyez 2, voire 3 rinçages et un essorage léger.

Chaussures de tennis: débarrassez-les de la boue. Lavez-les en même temps que jeans et vêtements résistants, jamais avec du linge blanc.

Laine: pour obtenir d'excellents résultats utilisez un produit lessiviel spécial et ne dépassez pas une charge de 1kg.

U

Installation

Description

Programmes

Bac produits

Précautions

Entretien

Anomalies

Assistance

Précautions et conseils

F

! Ce lave-linge a été conçu et fabriqué conformément aux normes internationales de sécurité. Ces avertissements sont fournis pour des raisons de sécurité, lisez-les attentivement.

Sécurité générale

- Cet appareil a été conçu pour une utilisation domestique.
- Ce lave-linge ne doit être utilisé que par des adultes en suivant les instructions reportées dans ce mode d'emploi.
- N'utilisez pas l'appareil si vous êtes pieds nus. ne touchez jamais l'appareil si vous avez les pieds ou les mains humides.
- Ne tirez jamais sur le câble pour débrancher la fiche de la prise de courant.
- N'ouvrez pas le tiroir à produits lessiviels si la machine est en marche.
- Ne touchez pas à l'eau de vidange, elle peut atteindre des températures très élevées.
- Ne forcez pas pour ouvrir le hublot: le verrouillage de sécurité qui protège contre les ouvertures accidentelles pourrait s'endommager.
- En cas de panne, n'essayez en aucun cas d'accéder aux mécanismes internes pour tenter de la réparer.
- Veillez à ce que les enfants ne s'approchent pas de la machine pendant son fonctionnement.
- Pendant le lavage, le hublot a tendance à se réchauffer.
- Deux ou trois personnes sont nécessaires pour la déplacer en faisant très attention. Ne jamais la déplacer seul car la machine est très lourde.
- Avant d'introduire votre linge, contrôlez si le tambour est bien vide.

Mise au rebut

- Mise au rebut du matériel d'emballage: se conformer aux réglementations locales de manière à ce que les emballages puissent être recyclés.

- Mise au rebut de votre vieux lave-linge: avant de le mettre à la déchetterie, rendez-le inutilisable en coupant le cordon d'alimentation électrique et en démontant le hublot.

Economies et respect de l'environnement

Economie de produit lessiviel, d'eau, d'électricité et de temps

- Pour ne pas gaspiller de ressources, utilisez le lave-linge à sa charge maximale. Mieux vaut une pleine charge que deux demies, vous économiserez jusqu'à 50% d'électricité.
- Un prélavage n'est nécessaire qu'en cas de linge très sale. S'en passer permet de faire des économies de produit lessiviel, de temps, d'eau et entre 5 et 15% d'électricité.
- Si vous traitez les taches avec un produit détachant ou si vous les laissez tremper avant de les laver, vous éviterez d'avoir à laver à de hautes températures. Un programme à 60°C au lieu de 90°C ou un à 40°C au lieu de 60°C, fait économiser jusqu'à 50% d'électricité.
- Bien doser la quantité de produit lessiviel en fonction de la dureté de l'eau, du degré de salissure et de la quantité de linge à laver évite les gaspillages et protège l'environnement: bien que biodégradables, les produits lessiviels contiennent des éléments qui altèrent l'équilibre de la nature. Evitez le plus possible l'utilisation d'assouplissant.
- Effectuer ses lavages tard dans l'après-midi et jusqu'aux premières heures du matin permet de réduire la charge d'absorption des opérateurs énergétiques.
- Si le linge doit être séché dans un sèche-linge, sélectionnez une haute vitesse d'essorage. Du linge qui contient moins d'eau fait économiser du temps et de l'électricité dans le programme de séchage.

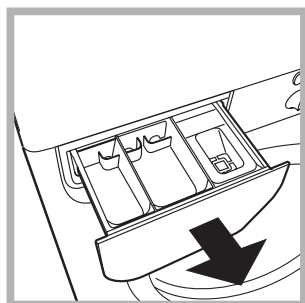
Coupure de l'arrivée d'eau et de courant

- Fermez le robinet de l'eau après chaque lavage: vous limiterez ainsi l'usure de l'installation hydraulique de votre lave-linge et éliminerez le danger de fuites.
- Débranchez la fiche de la prise de courant quand vous nettoyez votre lave-linge et pendant tous vos travaux d'entretien.

Nettoyage du lave-linge

Pour nettoyer l'extérieur et les parties en caoutchouc, utilisez un chiffon imbibé d'eau tiède et de savon. N'utilisez ni solvants ni abrasifs.

Nettoyage du tiroir à produits lessiviels



Pour sortir le tiroir, tirez-le vers vous (voir figure). Lavez-le à l'eau courante, effectuez cette opération assez souvent.

Entretien du hublot et du tambour

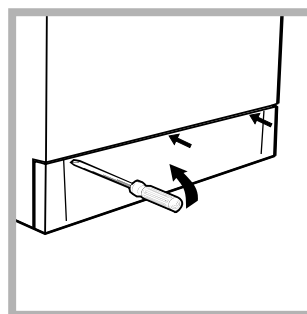
- Quand vous n'utilisez pas votre lave-linge, laissez toujours le hublot entrouvert pour éviter la formation de mauvaises odeurs.

Nettoyage de la pompe

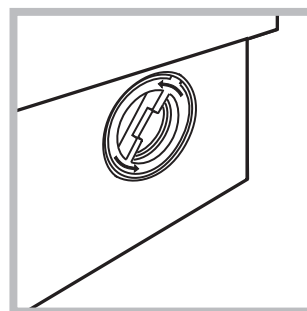
Le lave-linge est équipé d'une pompe autonettoyante qui n'exige aucune opération d'entretien. Il peut toutefois arriver que de menus objets (pièces de monnaie, boutons) tombent dans la préchambre qui protège la pompe, placée en bas de cette dernière.

! Contrôlez que le cycle de lavage est bien terminé et débranchez la fiche.

Pour accéder à cette préchambre:



1. démontez le panneau situé à l'avant du lave-linge à l'aide d'un tournevis (voir figure);



2. dévissez le couvercle en le faisant tourner dans le sens inverse des aiguilles d'une montre (voir figure): il est normal qu'un peu d'eau s'écoule;

3. nettoyez soigneusement à l'intérieur;
4. revissez le couvercle;
5. remontez le panneau en veillant à bien enfilez les crochets dans les fentes prévues avant de le pousser contre la machine.

Contrôle du tuyau d'arrivée de l'eau

Contrôlez le tuyau d'alimentation au moins une fois par an. Remplacez-le dès que vous remarquez des craquements et des fissures: les fortes pressions subies pendant le lavage pourraient provoquer des cassures.

! N'utilisez jamais de tuyaux usés.

U

Installation

Description

Programmes

Bac produits

Précautions

Entretien

Anomalies

Assistance

Anomalies et remèdes

F

Il peut arriver que le lave-linge ne fonctionne pas bien. Avant de appeler le Service après-vente (voir page 41), contrôlez s'il ne s'agit pas d'un problème facile à résoudre grâce à la liste suivante.

Anomalies:

Causes / Solutions possibles:

Le lave-linge ne s'allume pas.

- La fiche n'est pas branchée dans la prise de courant ou mal branchée.
- Il y a une panne de courant.

Le cycle de lavage ne démarre pas.

- Le hublot n'est pas bien fermé.
- La touche ① n'a pas été actionnée.
- Le robinet de l'eau n'est pas ouvert.

Il n'y a pas d'arrivée d'eau.

- Le tuyau d'arrivée de l'eau n'est pas raccordé au robinet.
- Le tuyau est plié.
- Le robinet de l'eau n'est pas ouvert.
- Il y a une coupure d'eau.
- La pression n'est pas suffisante.

Le lave-linge prend l'eau et vidange continuellement.

- le tuyau de vidange n'est pas installé à une distance du sol comprise entre 65 et 100 cm (voir page 31).
- L'extrémité du tuyau de vidange est plongée dans l'eau (voir page 31).
- L'évacuation murale n'a pas d'évent.

Si après ces vérifications, le problème persiste, fermez le robinet de l'eau, éteignez la machine et appelez le service Assistance. Si vous habitez en étage dans un immeuble, il peut y avoir des phénomènes de siphonnement qui font que votre lave-linge prend et évacue l'eau continuellement. Pour supprimer cet inconvénient, vous pouvez trouver dans le commerce des valves spéciales anti-siphonnement.

Votre lave-linge ne vidange pas et n'essore pas.

- Le programme ne prévoit pas de vidange: pour certains programmes, il faut intervenir pour la faire démarrer (voir page 35).
- La fonction Anti-froissement est activée (s'il y en a une de prévue): Il faut intervenir pour actionner la vidange.
- Le tuyau de vidange est plié (voir page 31).
- La conduite de l'installation de vidage est bouchée.

Votre lave-linge vibre beaucoup pendant l'essorage.

- Le tambour n'a pas été débloqué (comme indiqué page 30) lors de l'installation du lave-linge.
- Le lave-linge n'est pas posé à plat (voir page 30).
- Le lave-linge est coincé entre des meubles et le mur (voir page 30).

Le lave-linge a des fuites.

- Le tuyau d'arrivée de l'eau n'est pas bien vissé (voir figure page 30).
- Le tiroir à produits lessiviels est bouché (pour le nettoyer voir pag. 39).
- Le tuyau de vidange n'est pas bien fixé (voir page 31).

Il y a un excès de mousse.

- Le produit de lavage utilisé n'est pas une lessive spéciale machine (il faut qu'il y ait l'inscription "pour lave-linge", "main et machine", ou autre semblable).
- La quantité utilisée est excessive.

Avant d'appeler le service après-vente:

- Vérifiez si vous ne pouvez pas résoudre vous-même le problème (*voir page 40*);
- Remettez le programme en marche pour contrôler si dysfonctionnement a disparu;
- Autrement, appelez le Service après-vente de votre revendeur;

! Ne vous adressez jamais à des techniciens non agréés.

Communiquez:

- le type de panne;
- le modèle de la machine (Référence);
- le numéro de série (S/N).

Vous trouverez tous ces renseignements sur la plaquette signalétique située sur le panneau arrière de votre lave-linge.

L**Installation****Description****Programmes****Bac produits****Précautions****Entretien****Anomalies****Assistance**

Free Manuals Download Website

<http://myh66.com>

<http://usermanuals.us>

<http://www.somanuals.com>

<http://www.4manuals.cc>

<http://www.manual-lib.com>

<http://www.404manual.com>

<http://www.luxmanual.com>

<http://aubethermostatmanual.com>

Golf course search by state

<http://golfingnear.com>

Email search by domain

<http://emailbydomain.com>

Auto manuals search

<http://auto.somanuals.com>

TV manuals search

<http://tv.somanuals.com>