

TOTAL SOLUTIONS™

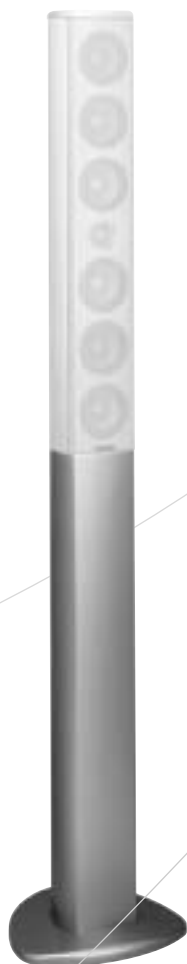
TSS-4000



TOTAL SPEAKER SOLUTIONS

TSS-STAND4000

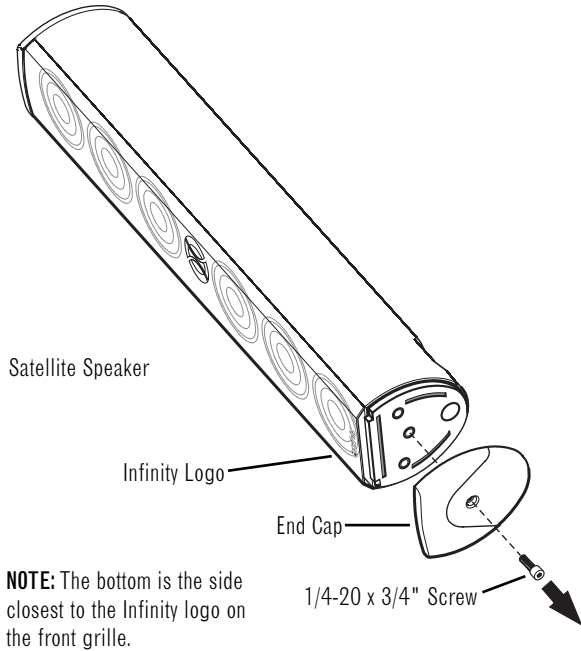
Owner's Guide



Installing the TSS-SAT4000

Step One

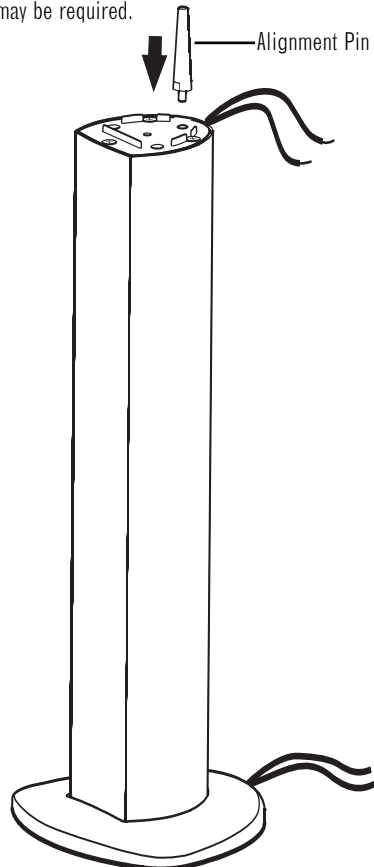
Remove the bottom end cap of the speaker by unscrewing the single center screw (Allen wrench included with satellite).



Step Two

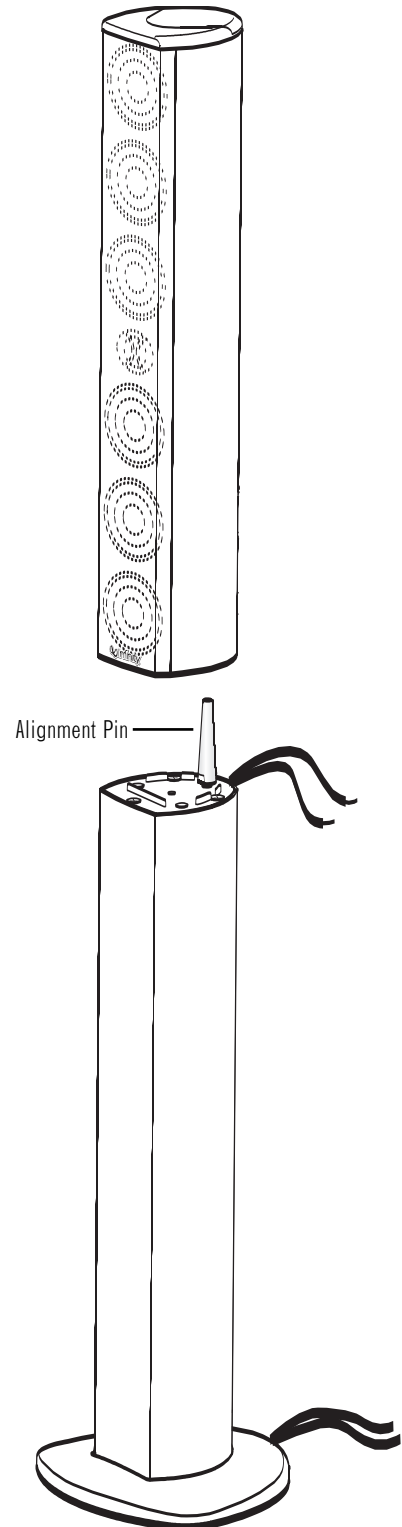
Attach alignment pin to stand, and run speaker wire up stand.

NOTE: Needle-nose pliers may be required.



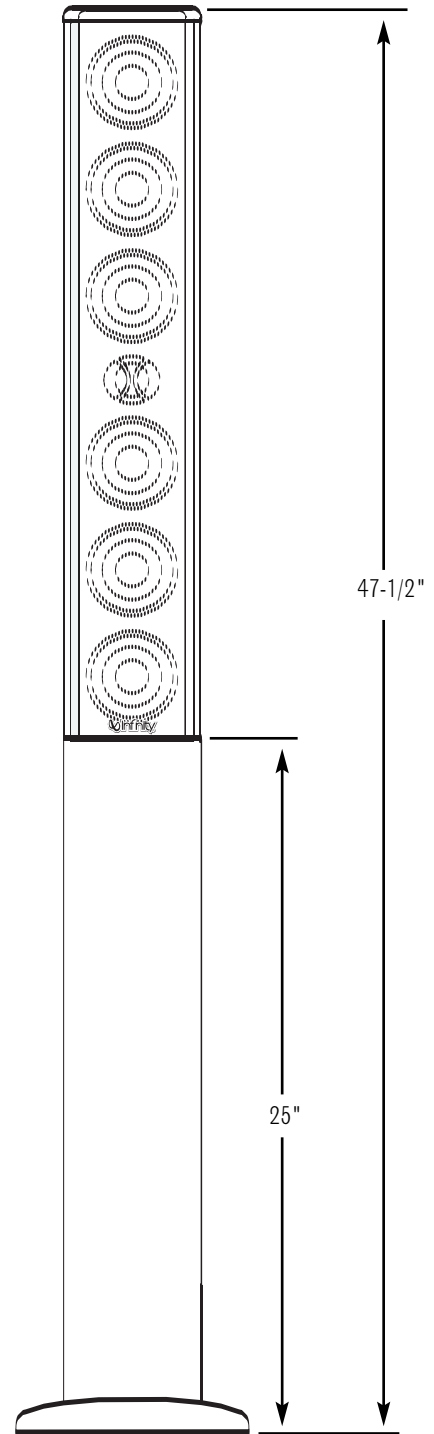
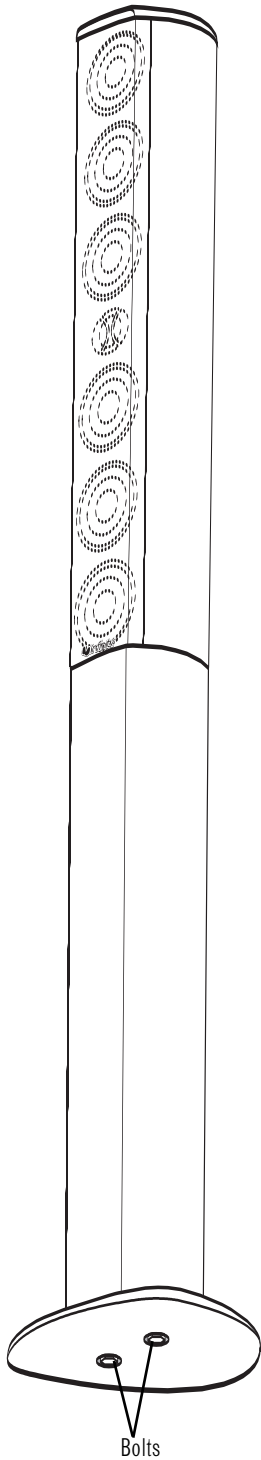
Step Three

Align and insert the alignment pin into the bottom of the speaker.



Step Four

Tighten the bolts on the bottom as shown. It's recommended that two people perform this step so that the speaker is supported while it's on its side and the bolts are being tightened. Attach speaker wire as described in TSS-SAT4000 Owner's Manual.





TECHNOLOGY • PERFORMANCE • DESIGN

© 2004 Harman International Industries, Incorporated

Infinity Systems, 250 Crossways Park Drive, Woodbury, NY 11797 USA 516.674.4INF (USA only) www.infinitysystems.com

Infinity is a registered trademark, and Total Solutions is a trademark, of Harman International Industries, Incorporated. Part No. 400-OMSTN 10/04

Free Manuals Download Website

<http://myh66.com>

<http://usermanuals.us>

<http://www.somanuals.com>

<http://www.4manuals.cc>

<http://www.manual-lib.com>

<http://www.404manual.com>

<http://www.luxmanual.com>

<http://aubethermostatmanual.com>

Golf course search by state

<http://golfingnear.com>

Email search by domain

<http://emailbydomain.com>

Auto manuals search

<http://auto.somanuals.com>

TV manuals search

<http://tv.somanuals.com>