

LP2009-2-B and LP2010-2-B GREASE PUMP SYSTEM



**READ THIS MANUAL CAREFULLY BEFORE INSTALLING,
 OPERATING OR SERVICING THIS EQUIPMENT.**

It is the responsibility of the employer to place this information in the hands of the operator. Keep for future reference.

SPECIFICATIONS

Model Series	LP2009-2-B / LP2010-2-B
Pump Type	Air Operated Grease Pump System
Container Size	LP2009-2-B..... 35 lb (17.5 kg)
	LP2010-2-B..... 56 lb (25.0 kg)
Ratio	50:1
Air Motor Diameter	2" (5.08 cm)
Stroke	3" (7.62 cm)
Pump Air Inlet (female)	Rp 1/4 (1/4 - 19 BSP parallel)
Pump Material Outlet (female)....	Rc 3/8 (3/8 - 19 BSP taper)
Pump Construction	Carbon Steel
Weight	24.0 lbs (10.9 kg)

PUMP PERFORMANCE

Air Inlet Pressure Range	0 - 150 p.s.i.g. (0 - 10.3 bar)
Fluid Pressure Range	0 - 7500 p.s.i.g. (0 - 517.2 bar)
Displacement in. ³ per cycle.....	0.300
Maximum Delivery / Minute	9 lbs (4.1 kg)
Noise Level @ 100 p.s.i.	85.0 db(A)

SERVICE KITS

- Use only genuine ARO® replacement parts to assure compatible pressure rating and longest service life.
- **637332 Pump Rebuild kit.** Includes the necessary soft parts for normal service of the entire pump.

GENERAL DESCRIPTION

LP2009-2-B and LP2010-2-B Portable Lubrication Systems. Include a 50:1 pump, follower plate, drum cover, hose and gun.

IMPORTANT

This is one of three documents which support the pump. Replacement copies of these forms are available upon request.

- LP2009-2-B Model Operator's Manual (pn 97999-1233)
- LM2250E-X-B Model Operator's Manual (pn 97999-914)
- S-633 General Information Lubrication Piston Pumps (pn 97999-625)

OPERATING AND SAFETY PRECAUTIONS

⚠ WARNING READ THE GENERAL INFORMATION MANUAL INCLUDED FOR OPERATING AND SAFETY PRECAUTIONS AND OTHER IMPORTANT INFORMATION.

PUMP DATA

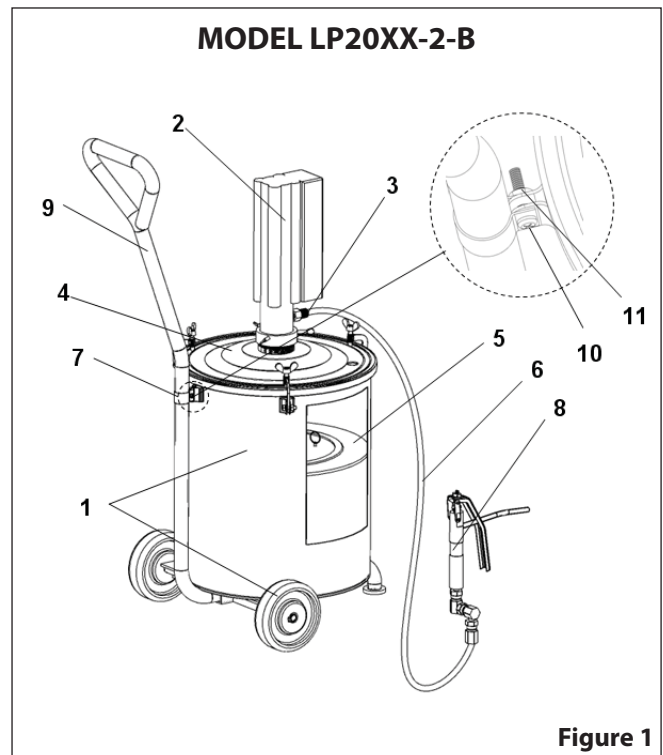


Figure 1

MAJOR COMPONENTS

Item	Description (size)	Qty	Part No.
1	Cart Assembly with container and hardware	(1)	80192305
2	Basic 50:1 Grease Pump	(1)	LM2250E-22-B
3	Adapter (M14 x 1 x Rc 3/8)	(1)	80192214
4	Cover	(1)	80192222
5	Follower Plate		
	LP2009-2-B - 35 lb (17.5 kg) container	(1)	80192420
	LP2010-2-B - 56 lb (25 kg) container	(1)	80192370
6	3 Meter Material Hose	(1)	80192412
7	Bracket	(1)	80192347
8	Grease Gun with Z-Swivel	(1)	80192404
9	Handle	(1)	80192206
10	Screw (M6 x 1 - 6g x 20 mm)	(1)	80192354
11	Nut (M6 x 1 - 6h)	(1)	80192297

OPERATING AND SAFETY PRECAUTIONS

⚠️ WARNING EXCESSIVE INLET PRESSURE. Can cause explosion resulting in severe injury or death. Do not exceed maximum operating pressure of 7500 p.s.i. (517.2 bar) at 150 p.s.i. (10.3 bar) inlet air pressure. Do not run pump without using a regulator to limit air supply pressure to the pump.

PUMP RATIO X INLET PRESSURE TO PUMP MOTOR = MAXIMUM PUMP FLUID PRESSURE

Pump ratio is an expression of the relationship between the pump motor area and the lower pump end area. EXAMPLE: When 150 p.s.i. (10.3 bar) inlet pressure is supplied to the motor of a 50:1 ratio pump, it will develop a maximum of 7500 p.s.i. (517 bar) fluid pressure (at no flow) - as the fluid control is opened, the flow rate will increase as the motor cycle rate increases to keep up with the demand.

⚠️ WARNING EXCESSIVE MATERIAL PRESSURE. Can cause equipment failure resulting in severe injury or property damage. Do not exceed the maximum material pressure of any component in the system.

Thermal expansion hazard. This can occur when the fluid in the material lines is exposed to elevated temperatures. Example: Material lines located in a non-insulated roof area can warm due to sunlight. Install a pressure relief valve in the pumping system.

AIR AND LUBE REQUIREMENTS

Filtered air will help extend the life of the pump, allowing the pump to operate more efficiently and yield longer service life to moving parts and mechanisms.

- Use an air line filter to provide good quality clean and dry air. Install it up stream from the air regulator.
- Use an air regulator on the air supply to control the pump cycle rate. Install the regulator as close as possible to the pump.
- In most installations, lubrication is not required. If the pump needs to have lubrication, install an air line lubricator between the pump and the air regulator and supply it with a good grade of non-detergent oil or other lubricant that is compatible with Nitrile seals. Set at a rate not to exceed one drop per minute.

INSTALLATION

Assemble the components included in the package as shown in figure 1 (page 1). NOTE: In rigid plumbing applications, use flexible material and air supply hoses when attaching the pump to prevent damage by vibration.

1. Thread the pump bung adapter into the pump cover. Insert the pump into the bung and then secure with the thumb screws provided.
2. Install the outlet adapter, material hose, swivel and gun.
3. Lay the follower on top of a full bucket of grease. Feed the lower pump end into the follower and secure the cover with the thumb screws.
4. Attach a connector to the pump and a coupler to the air supply hose.
5. Connect the material hose to the pump outlet. Tighten all fittings. Use caution not to damage threads.

OPERATION

START-UP

1. Turn the air regulator to "0" pressure setting. Connect the air hose.
2. Prime the pump by cycling slowly, raising the pressure to 20 - 30 p.s.i. (1.4 - 2.1 bar). Cycle the pump until the test grease and any trapped air has been purged from the system.
3. Close the dispensing device. Allow the pump to build line pressure and stall. Check for any leaks and re-torque fittings if needed. Adjust the air pressure upward as required for the application.

NOTICE: If the pump does not prime soon after initial start-up, establish what the problem is to prevent unnecessary damage to the pump plunger.

SHUTDOWN

- Disconnect the air supply from the pump if it is to be inactive for a few hours. Open the dispensing device to relieve line pressure.

SERVICE

Refer to the basic pump manual for service instructions which also cover disassembly and reassembly for installation of the rebuild kit.

TROUBLE SHOOTING

If the pump will not cycle or will not deliver material.

- Be certain to check for non-pump problems including kinked, restrictive or plugged inlet / outlet hose or dispensing device. Depressurize the pump system and clean out any obstructions in the inlet / outlet material lines.
- Check all seals, including track gaskets.
- Check direction of "U" cup lips.

Free Manuals Download Website

<http://myh66.com>

<http://usermanuals.us>

<http://www.somanuals.com>

<http://www.4manuals.cc>

<http://www.manual-lib.com>

<http://www.404manual.com>

<http://www.luxmanual.com>

<http://aubethermostatmanual.com>

Golf course search by state

<http://golfingnear.com>

Email search by domain

<http://emailbydomain.com>

Auto manuals search

<http://auto.somanuals.com>

TV manuals search

<http://tv.somanuals.com>