



04584405
Edition 2
October 2009

Air Impact Wrench

2920B Series

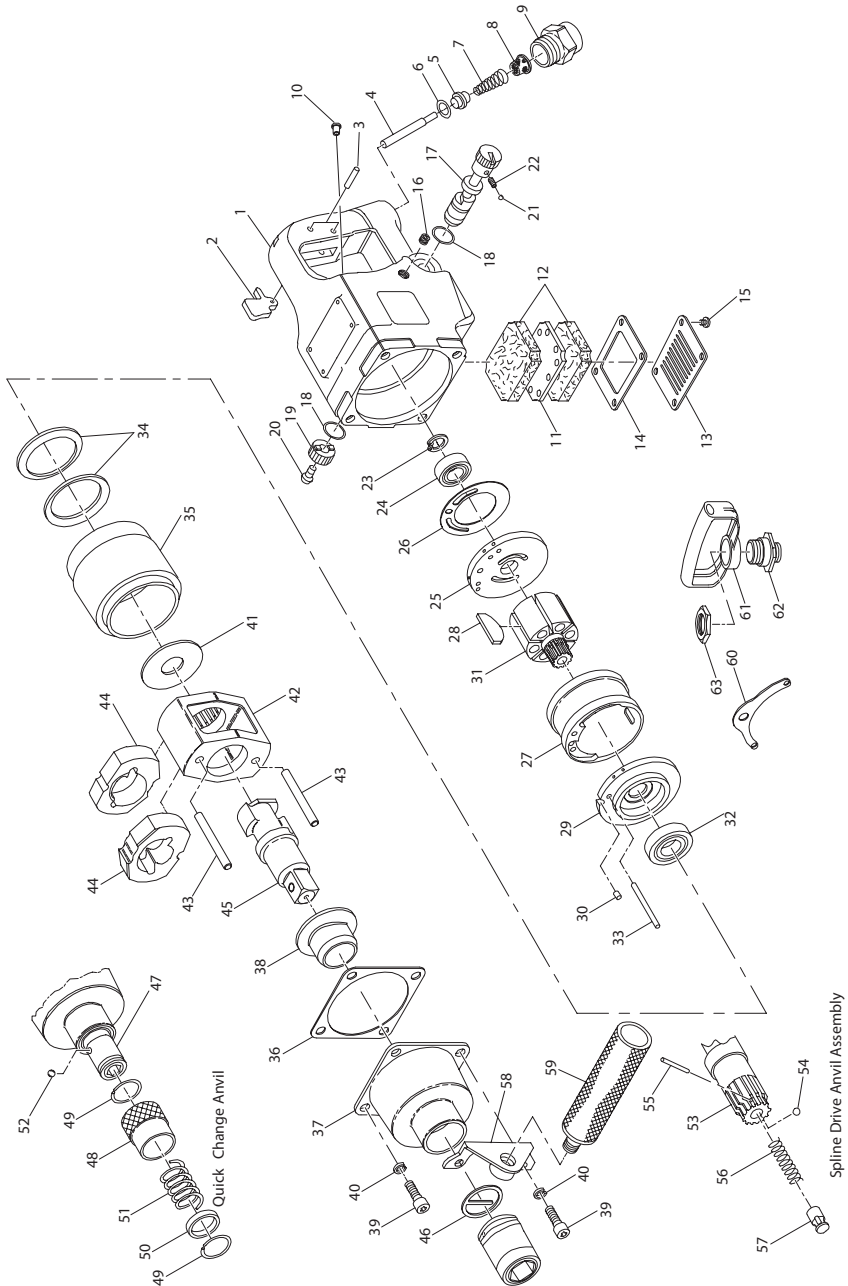
Parts Information



Save These Instructions



2920B Series Air Impact Wrench Exploded Diagram



(Dwg. TPA960-2)

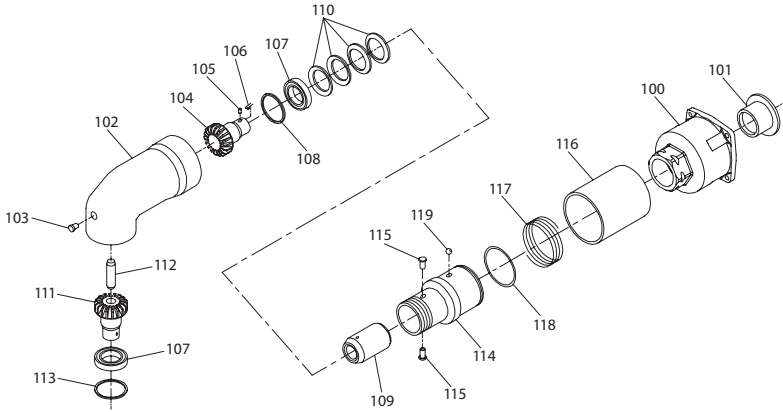
2920B Series Air Impact Wrench Parts List

Item	Part Description	Part Number	Item	Part Description	Part Number
1	Motor Housing Assembly		35	Motor Retainer	2920B-800
	for 2920B	2920B-A40	36	Hammer Case Gasket	910-36
	for 2920B-EU	2920B-EU-A40	37	Hammer Case Assembly	2920B-A727
2	Trigger	834-93A	38	Hammer Case Bushing	2920-641
3	Trigger Pin (2)	534-265	39	Hammer Case Cap Screw (4)	34U-103
4	Throttle Valve Plunger	2920B-302	40	Cap Screw Lock Washer (4)	34U-58
5	Throttle Valve Assembly	834-50	41	Rear Hammer Frame Washer	910-706
• 6	Throttle Valve Face	435-159	42	Hammer Frame Assembly	2910-A703
7	Throttle Valve Spring	834-51	43	Hammer Pin (2)	2910-704
• 8	Air Strainer Screen	434-61	44	Hammer (2)	2910-724
9	Air Inlet Bushing	834-565	45	Anvil	
10	Grease Fitting	130SR-188		3/4" square drive	2910-726
11	Exhaust Baffle	2920B-124		1" square drive	2910-826
12	Exhaust Silencer (2)	2920B-311	46	Socket Retainer	
13	Exhaust Deflector	2910B-23		for 3/4" square drive	RR10034S
14	Exhaust Deflector Gasket	2910B-223		for 1" square drive	RR10015S
15	Exhaust Deflector Screw (4)	H54U-667		Quick Change Anvil Assembly	2910B-A926-10
16	Oil Chamber Plug	R2-227	47	Quick-Change Anvil	2910B-926-10
17	Reverse Valve	1710B-329	48	Retaining Sleeve	W54-930-10
• 18	Reverse Valve Seal (2)	261-283	49	Thrust Ring Lock (2)	W54-933-10
19	Reverse Valve Knob	231-666	50	Thrust Ring	W54-932-10
20	Reverse Valve Knob Screw	231-665	51	Retaining Sleeve Spring	W54-931-10
21	Reverse Valve Detent Ball	AV1-255	52	Retaining Ball	8U-722
22	Reverse Valve Detent Spring	231-664	53	No. 4 Spline Drive Anvil Assembly	2910-A526
*	Housing Label		54	Socket Retaining Ball	G601-65
	for 2920B	WARNING-2-99	55	Retaining Ball Plunger	910-230
	for 2920B-EU	EU-99	56	Ball Plunger Spring	12SR-262
23	Rear Rotor Bearing Retainer	MVA008-218	57	Plunger Retaining Pin	502B-120
24	Rear Rotor Bearing	4E-510	58	Dead Handle Bracket	2910B-364
25	Rear End Plate	2921HP-12	59	Dead Handle	834-48
• 26	Rear End Plate Gasket	2920B-283	60	Horizontal Hanger	910-366
27	Cylinder	2920-3	61	Side Spade Handle	T15-41
• 28	Vane Packet (set of 6 Vanes)	2910-42-6	62	Side Spade Handle Stud	534-448
29	Front End Plate	2921HP-11	63	Side Spade Handle Stud Nut	107-73A
30	End Plate Dowel	2920-74	*	Nameplate	2920B-301
31	Rotor	2910B-53	*	Nameplate Screw (4)	C32-302
32	Front Rotor Bearing	834-24	*	Tune-up Kit (includes illustrated parts 6, 7, 8, 12 [2], 14, 18 [2], 21, 22, 23, 24, 26, 28, 32 and 36)	2920B-TK2
33	Cylinder Dowel	910-98			
34	Motor Clamp Washer (2)	2920-207			

* Not Illustrated.

- To keep downtime to a minimum, it is desirable to have on hand certain repair parts. We recommend that you stock one (pair or set) of each part indicated by a bullet (-) for every four tools in service.

NO. 2920A90 Angle Attachment



(Dwg. TPC357)

Item	Part Description	Part Number	Item	Part Description	Part Number
100	Hammer Case Assembly	2920B-A827	110	Bevel Pinion Washer Clamp (2)	2920A90-207
101	Hammer Case Bushing	2920-641	111	Bevel Gear	2920A90-601
	Angle Attachment Assembly	2920A90	112	Bevel Gear Spindle	2920A90-607
102	Angle Housing Assembly	2920A90-A600	113	Bevel Gear Bearing Retainer	WBT380N-118
103	Grease Fitting	1305R-188	114	Angle Housing Connector	2920A90-680
104	Bevel Pinion Assembly	2920A90-A602	115	Connector Lock Pin (2)	436A90-609
105	Retainer Plunger	8U-715	116	Connector Retaining Sleeve	2920A90-681
106	Retainer Plunger Spring	5UHD-718	117	Retaining Sleeve Spring	2920A90-682
107	Bevel Pinion Bearing or Bevel Gear Bearing (2)	2920A90-593	118	Connector Retaining Sleeve Stop	2920A90-303
108	Bevel Pinion Spacer	2920A90-608	119	Connector Retaining Ball (3)	8U-722
109	Bevel Pinion Driver	2920A90-563	*	Socket Retainer	RR100345

* Not Illustrated.

Parts and Maintenance

When the life of the tool has expired, it is recommended that the tool be disassembled, degreased and parts be separated by material so that they can be recycled.

Tool repair and maintenance should only be carried out by an authorized Service Center.

Refer all communications to the nearest **Ingersoll Rand** Office or Distributor.

Related Documentation

For additional information refer to:

Product Safety Information Manual 04580916.

Product Information Manual 04584793.

Maintenance Information Manual 04584264.

Manuals can be downloaded from www.ingersollrandproducts.com.

Notes:

Notes:

Notes:

www.ingersollrandproducts.com

© 2009 **Ingersoll Rand** Company



Free Manuals Download Website

<http://myh66.com>

<http://usermanuals.us>

<http://www.somanuals.com>

<http://www.4manuals.cc>

<http://www.manual-lib.com>

<http://www.404manual.com>

<http://www.luxmanual.com>

<http://aubethermostatmanual.com>

Golf course search by state

<http://golfingnear.com>

Email search by domain

<http://emailbydomain.com>

Auto manuals search

<http://auto.somanuals.com>

TV manuals search

<http://tv.somanuals.com>