

OPERATOR'S MANUAL

CL0443X2XXXXXXX

INCLUDING: OPERATION, INSTALLATION AND MAINTENANCE.

RELEASED: 2-15-10

INCLUDE MANUALS: AF0443XXX Pump manual (pn 97999-1501), 67075 Cart (pn 97999-603), 65184X-X Follower manual (pn 97999-605) & S-636 General Information Manual (pn 97999-636).

(REV. 01)

4 1/4" AIR MOTOR
43:1 RATIO
4" STROKE

CL0443X2XXXXXXX PUMP AND CART PACKAGE



READ THIS MANUAL CAREFULLY BEFORE INSTALLING, OPERATING OR SERVICING THIS EQUIPMENT.

It is the responsibility of the employer to place this information in the hands of the operator. Keep for future reference.

SERVICE KITS

- Use only genuine ARO® replacement parts to assure compatible pressure rating and longest service life.
- **637489** for repair of Air motor.
- **63729X-XXX** for repair lower pump section.

MODEL DESCRIPTION CHART

CL 04 43 X 2 XXXXX XX X	
Package CL- Cart Mount with Lift	
Air Motor Size 4 - 4 1/4"	
Pump Ratio 43 - 43:1	
Check Type / Wetted Materials S - Primer Piston, Carbon Steel Nickel-Plated T - Primer Piston, 300 Series Stainless Steel	
Container Suitability 5 Gallon (35 lbs)	
Lower Pump End Options Refer to pump model operator's manual	
Follower Assembly E3 - 651840-1 EB - 66731-2 E1 - 651840-2 A8 - 67347-1 E5 - 651840-3 A7 - 67347-2 S3 - 651841-1 T8 - 67347-11 EC - 66731 T7 - 67347-12 EA - 66731-1	
Package Option 0 - None 1 - Integrated ball valve regulator on pump	

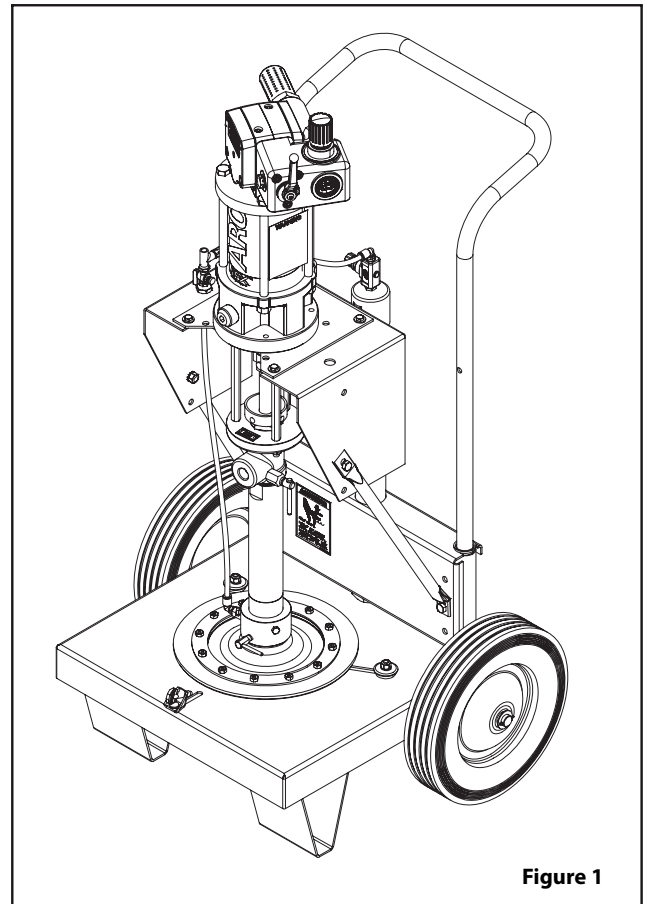


Figure 1

GENERAL DESCRIPTION

By delivering a smooth, continuous bead of the proper size, an ARO system helps the operator maintain both production rate and produce high quality standards. Maintained quality standards assures that the material benefits are realized. To further maximize operator production time, the ARO system has a built-in lift / ram feature for quick and easy drum changeover and easy lifting of the pump assembly from the container.

ARO systems are totally enclosed, sealing the material in the system from air and moisture, preventing premature cure-out of the material. This allows for either continuous or intermittent use of the system and allows the need for daily system clean-up.

Built-in lift capability allows for quick drum changeover and easy lifting of pump assembly from container.

INGERSOLL RAND COMPANY LTD

209 NORTH MAIN STREET -BRYAN, OHIO 43506

☎ (800) 495-0276 • FAX (800) 892-6276

© 2010

CCN 15337355

www.ingersollrandproducts.com

ARO

IR Ingersoll Rand
Industrial Technologies

OPERATING INSTRUCTIONS

⚠ WARNING DO NOT EXCEED MAXIMUM OPERATING PRESSURE OF 4500 P.S.I. (310 BAR) AT 150 P.S.I. (10.3 BAR) AIR INLET PRESSURE.

INSTALLATION

The CL0443X2XXXXXXX Chop-Check Dispensing System comes completely assembled. Remove unit from crate and place on a level surface. Install material hose and dispensing device as required. When the following instructions are observed, heavy paste materials can be pumped directly from their original 5 gallon drum without air inclusion, or excessive waste. The follower plate creates an air tight seal as well as clean-wiping action in its progressive downward movement into the drum.

OPERATING INSTRUCTIONS

OPERATING INSTRUCTIONS / INITIAL SETUP PROCEDURE

⚠ WARNING STAND CLEAR. When raising or lowering the lift.

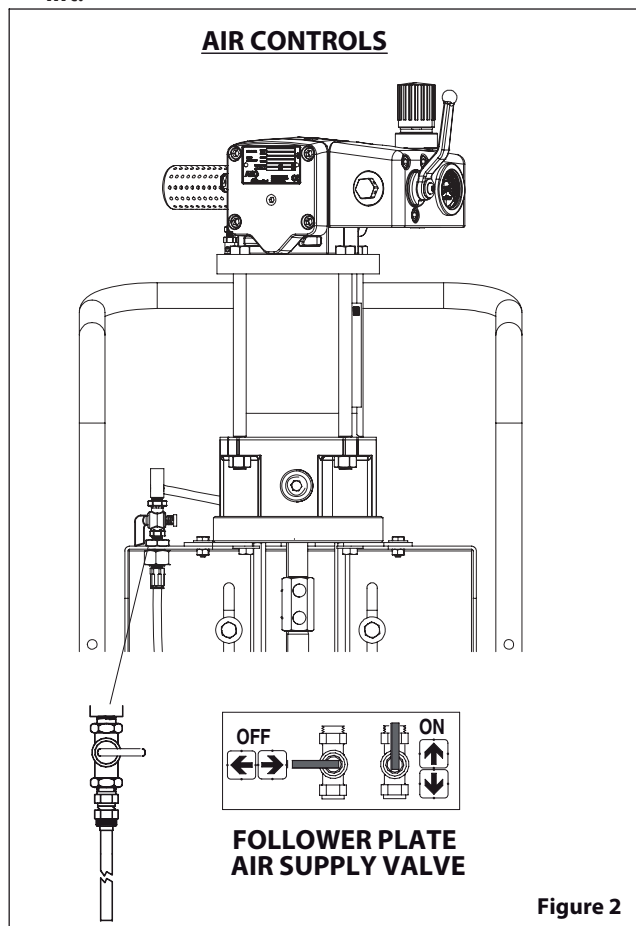


Figure 2

TO RAISE LIFT, (THE FIRST TIME):

1. Take note of the pump / drum clearance above. Be certain the lift is clear of any objects above the unit.
2. Adjust (Turn Needle Valve Knob Counter-Clockwise) air pressure to lift. Connect the air supply (160 PSI MAX) to the air inlet.
3. Raise the lift high enough to clear the height of the drum. Stop the lift upward travel by adjusting (Turn Needle Valve Clockwise until tight.) Needle Valve.

⚠ WARNING REFER TO THE PUMP MANUAL FOR ADDITIONAL OPERATING AND SAFETY PRECAUTIONS AND OTHER IMPORTANT INFORMATION.

REFER TO PAGE 3:

1. Once lift assembly and pump are in the "UP" position, place and center an opened 5 gallon drum of material on the lift base. Use the stops on the base to center 5 gallon drum. Tighten thumb screw to secure drum.
2. Lubricate lower follower wiper plate seal with any type grease. (silicone, vaseline, gear, etc.) This ensures a smooth fit into the pail as well as prevents curing type compounds from bonding to seal.
3. Check vent plug on follower plate to be sure it easily threads in and out. It is recommended to lubricate the threads of the plug to help prevent possible set up of compound at this point. See 65184X-X Operator's Manual.

OPERATING INSTRUCTIONS / INITIAL SETUP PROCEDURE

⚠ WARNING PINCH HAZARD. Follower can descend quickly causing injury. Keep hands clear when aligning with container.

NOTE: Be certain the Follower Plate vent plug has been removed so that the air trapped between the follower and the material is allowed to escape from this vent. Captured air between the follower plate and drum will escape.

NOTE: The lift may hesitate momentarily before starting downward, the air pressure inside the post air chamber must decrease before it will begin to descend.

1. Disconnect air line from the lift air inlet. Adjust (Turn Needle Valve Knob Counter-Clockwise) Needle Valve to Lower the pump end into drum.
2. Replace the vent plug once the material begins to ooze from the vent opening.
3. Adjust (Turn pump air regulator knob Counter-Clockwise to prevent over pressurization of pump.) Knob on pump air regulator.
4. Connect air line to pump air regulator and adjust (Turn pump air regulator Clockwise) air until pump begins to cycle.
5. Trigger gun to prime pump with material.

TO RAISE LIFT, (NORMAL OPERATION):

1. Disconnect air line from pump air regulator and connect to lift air inlet. Adjust the Follower Plate Air Valve pressure up to approximately 8 psig. **DO NO OVERPRESSURIZE THE DRUM** to avoid damage. **NOTE: Air from this valve will only pass when the unit is being raised.**
2. Adjust (Turn Needle Valve Knob Counter-Clockwise) air pressure on lift.
3. Raise the lift high enough to clear the height of the drum. Stop the lift upward travel adjusting needle valve knob Counter-Clockwise.

TO CHANGE DRUM:

NOTE: The Needle Valve Knob should be turned Clockwise to hold lift in the "UP" Position.

1. Unscrew thumb screw and remove old 5 gallon drum.
2. Place and center. a new drum into position. Remove cover. Tighten thumb screw.

PARTS LIST / CL0443X2XXXXXXX

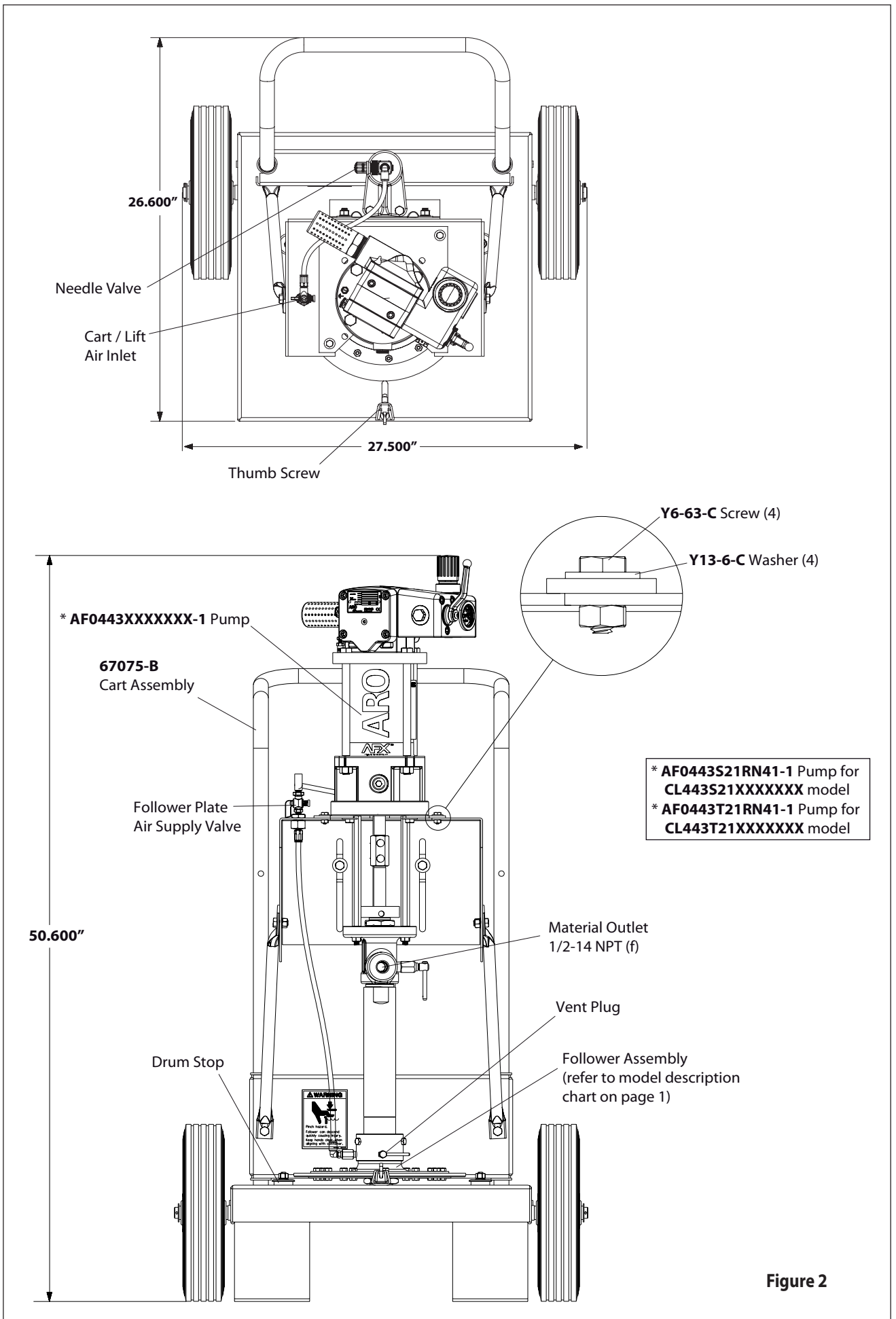


Figure 2

DIMENSIONS

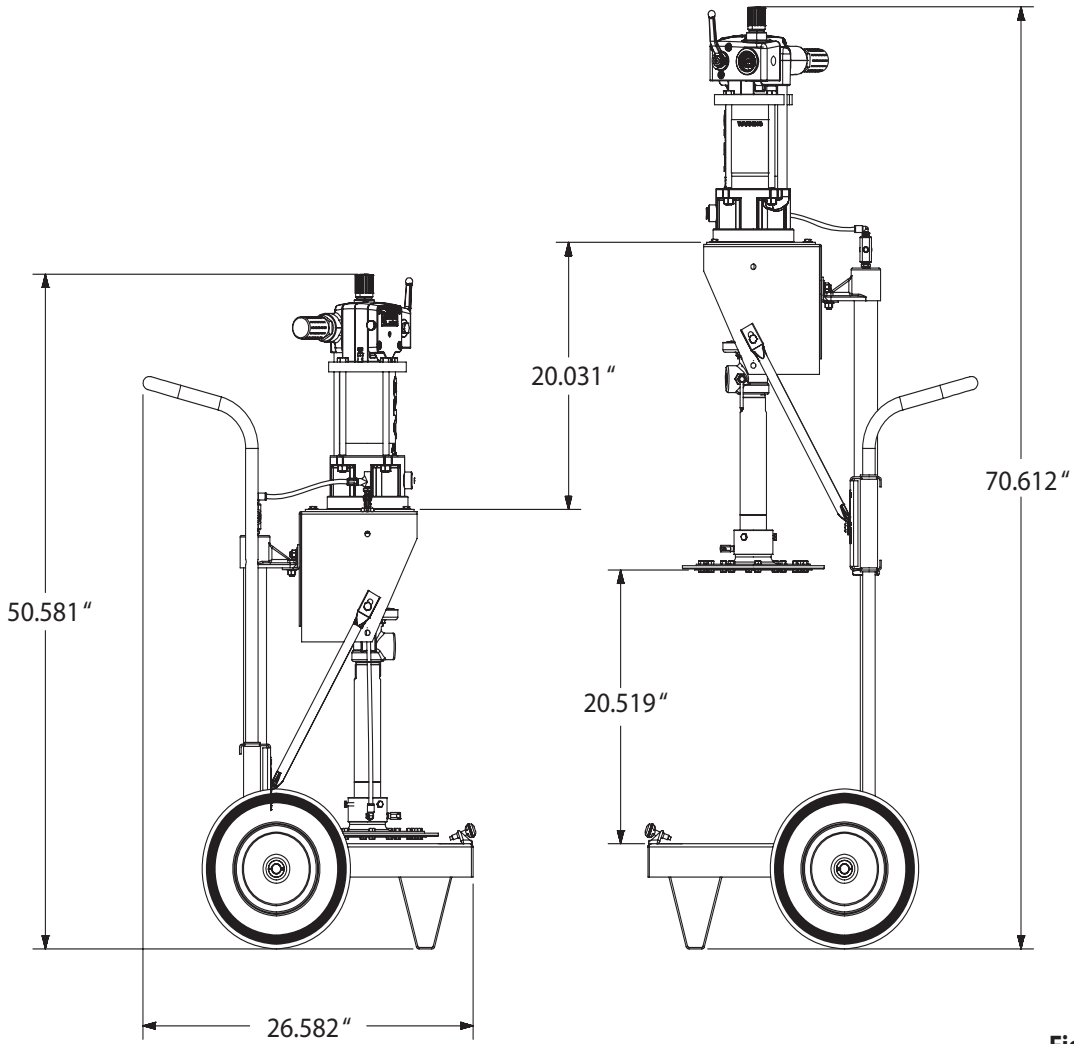
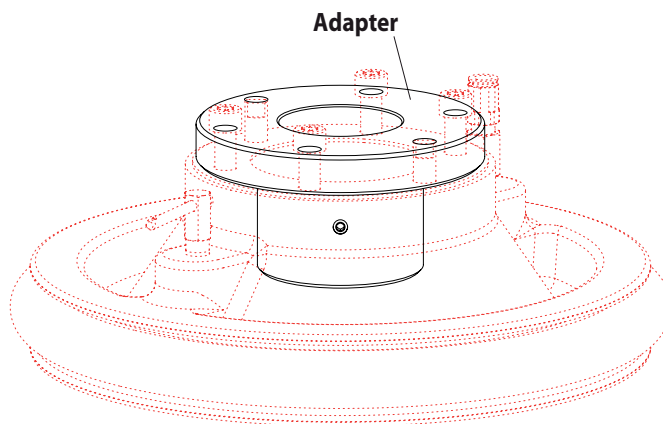


Figure 3

PARTS LIST / CL0443X2XXXXXXXX



Description	Qty	Part no
Adapter (67347-1, 67347-2 Followers)	(1)	67446
(67347-11, 67347-12 Followers)	(1)	67447

Figure 4

Free Manuals Download Website

<http://myh66.com>

<http://usermanuals.us>

<http://www.somanuals.com>

<http://www.4manuals.cc>

<http://www.manual-lib.com>

<http://www.404manual.com>

<http://www.luxmanual.com>

<http://aubethermostatmanual.com>

Golf course search by state

<http://golfingnear.com>

Email search by domain

<http://emailbydomain.com>

Auto manuals search

<http://auto.somanuals.com>

TV manuals search

<http://tv.somanuals.com>