

## 1" DIAPHRAGM PUMP FOR 50 / 50 ANTI-FREEZE MIXING (METALLIC) DUAL INLET MANIFOLD / SINGLE OUTLET MANIFOLD



**READ THIS MANUAL CAREFULLY BEFORE INSTALLING,  
OPERATING OR SERVICING THIS EQUIPMENT.**

It is the responsibility of the employer to place this information in the hands of the operator. Keep for future reference.

### GENERAL DESCRIPTION

Model 650715-C diaphragm pump is designed for mixing anti-freeze and water in 50 / 50 proportion for automotive coolant systems.

The pump is similar to other standard models in the 1" metallic diaphragm pump family. A 66610X-X-C Operator's Manual should be used for General Information, Installation, Operation and Maintenance. This model is modified to include dual inlets.

This pump would be typically used in conjunction with two (2) 3/4 - 14 N.P.T. x 1 - 11-1/2 N.P.T. non-collapsing siphon hoses for supply, one is for water and one is for anti-freeze. A 1 - 11-1/2 N.P.T. delivery hose with a control handle will deliver a 50 / 50 mix of water and anti-freeze when the trigger is activated.

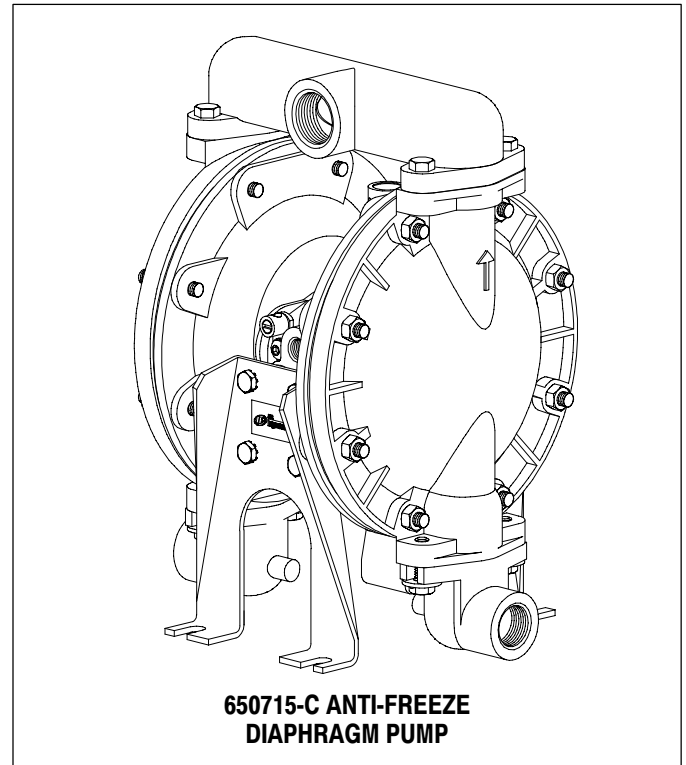
This pump includes an Aluminum center body, Aluminum outlet manifold, Stainless steel inlets, Nitrile diaphragms and Acetal balls. Refer to the chart below for part substitutions.

**650715-C is similar to model 666100-362-C.**

#### SERVICE KITS AVAILABLE

**637119-62-C (Fluid Section)**

**637118-C (Air Section)**



Item	Description (size)	Model 666100-362-C	Qty	Model 650715-C	Qty
6	Washer (3-5/8" o.d.)	93441-2	(2)	93441-1	(2)
14	Screw (1/2" - 20 X 1")	Y5-85-K	(2)	Y5-85-T ::	(2)
16	Outlet Manifold	92001	(2)	92001	(1)
18	90° Inlet Manifold	-----	---	92847	(2)
24	Washer (5/16")	-----	---	Y13-5-C	(4)

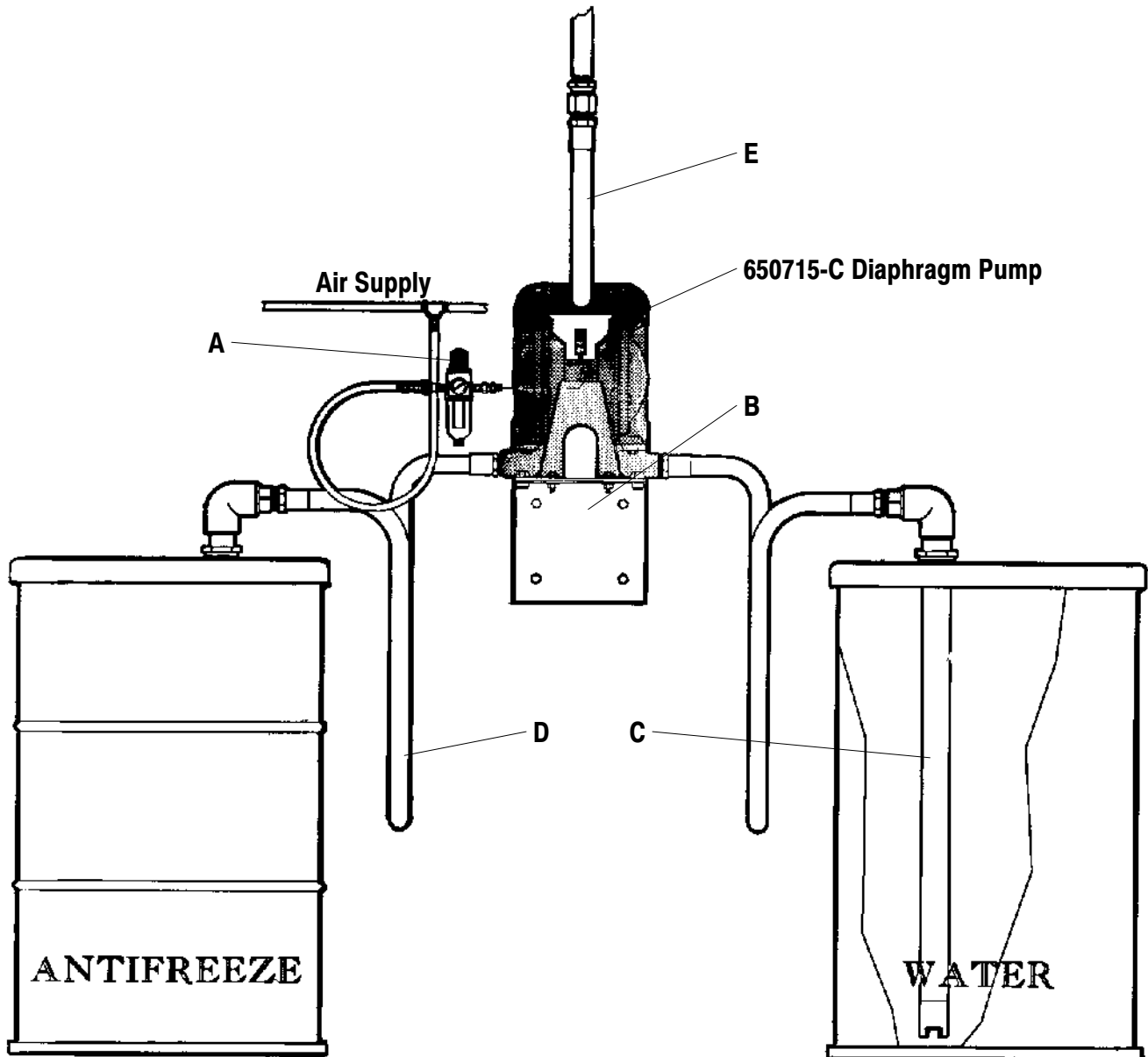
:: Tighten to 35 - 45 ft lbs (47.5 - 61.0 Nm).

## TYPICAL 650715-C INSTALLATION

Components shown are not included and are for reference only.

Item	Description (size)	Qty	Part No.
A	Filter - Regulator - Piggyback	(1)	P292XX-XXX
B	Wall Mount	(1)	66100
C	Suction Tube	(1)	66779
D	Inlet Hose (3/4 - 14 N.P.T. x 1 - 11-1/2 N.P.T.)	(2)	628066-006
E	Outlet Hose (1 - 11-1/2 N.P.T.)	(1)	628067-003

### 650715-C DIAPHRAGM PUMP



## Free Manuals Download Website

<http://myh66.com>

<http://usermanuals.us>

<http://www.somanuals.com>

<http://www.4manuals.cc>

<http://www.manual-lib.com>

<http://www.404manual.com>

<http://www.luxmanual.com>

<http://aubethermostatmanual.com>

Golf course search by state

<http://golfingnear.com>

Email search by domain

<http://emailbydomain.com>

Auto manuals search

<http://auto.somanuals.com>

TV manuals search

<http://tv.somanuals.com>