

650770-X-B

1/4" DIAPHRAGM PUMP (WITH CYCLE OUTPUT PORT)



**READ THIS MANUAL CAREFULLY BEFORE INSTALLING,
OPERATING OR SERVICING THIS EQUIPMENT.**

It is the responsibility of the employer to place this information in the hands of the operator. Keep for future reference.

MODEL DESCRIPTION

This is a standard 1/4" diaphragm pump which has been specially modified to provide a signal each time the pump cycles. This is done by tapping into the minor valve body and extending a tube outside the pump body.

- Use this pump with ARO model 67072 pneumatic batch counter kit to make a batch metering pump.
The number of cycles multiplied by the pump displacement equals the total volume dispensed.
Example:
.014 (gallons per cycle for this pump) x 100 cycles = 1.4 gallons
- Use with model ARO 66975 cycle counter kit to totalize cycles for preventative maintenance or inventory management.

MODEL CHART

MODEL	MATERIAL	STANDARD MODEL
650770-1-B	POLYPROPYLENE	PD02P-APS-PTT
650770-3-B	ACETAL	PD02P-ADS-DTT

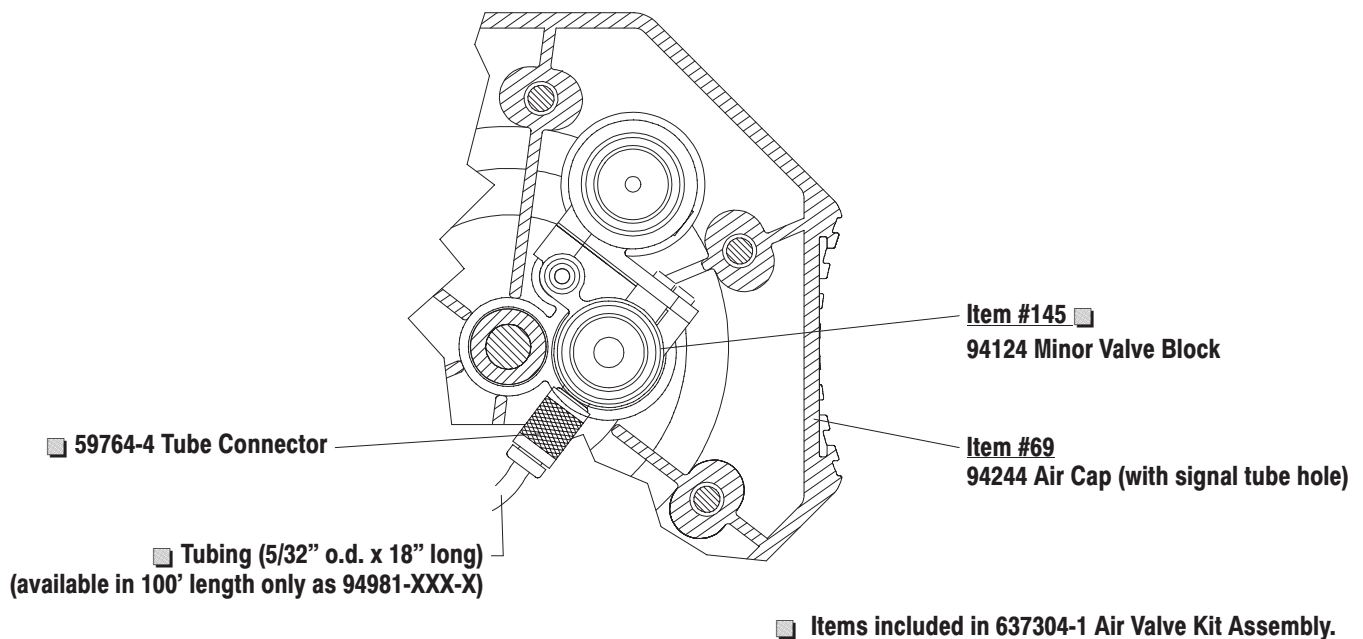
The PD02P-X Operator's Manual should be used for General Information, Installation, Operation, and Maintenance. Refer to the Standard Model number shown in the chart above to select Service Kits and replacement parts.

Model series 650770-X-B are similar to standard models in the PD02P-X diaphragm pump series. Most of the parts used in these models are standard. The parts exceptions for these models are indicated in the view below.

637304-1 air valve kit assembly is similar to 637276 (refer to PD02P-X Operator's Manual) with the exception of the items listed below.

SPECIAL PARTS USED IN 650770-X-B

(Item numbers are as shown in PD02P-X manual.)



PN 97999-743

INGERSOLL-RAND COMPANY
P.O. BOX 151 • ONE ARO CENTER • BRYAN, OHIO 43506-0151
☎ (800) 276-4658 • FAX (800) 266-7016 ©2005 CCN 99712168



Free Manuals Download Website

<http://myh66.com>

<http://usermanuals.us>

<http://www.somanuals.com>

<http://www.4manuals.cc>

<http://www.manual-lib.com>

<http://www.404manual.com>

<http://www.luxmanual.com>

<http://aubethermostatmanual.com>

Golf course search by state

<http://golfingnear.com>

Email search by domain

<http://emailbydomain.com>

Auto manuals search

<http://auto.somanuals.com>

TV manuals search

<http://tv.somanuals.com>