

INCLUDING: SPECIFICATIONS, PUMP DATA, SERVICE KITS
INCLUDE MANUALS: Refer to list below.

RELEASED: 5-2-03
REVISED:
(REV. 01)

8" AIR MOTOR
28:1 RATIO
6" STROKE

NP828C01-1 Pump and Cart Assembly



**READ THIS MANUAL CAREFULLY BEFORE INSTALLING,
OPERATING OR SERVICING THIS EQUIPMENT.**

It is the responsibility of the employer to place this information in the hands of the operator. Keep for future reference.

DO NOT EXCEED MAXIMUM WORKING PRESSURE OF 3360 P.S.I. (231.7 BAR) AT 120 P.S.I. 8.3 BAR) AIR INLET PRESSURE.

SERVICE KITS

- Use only genuine ARO® replacement parts to assure compatible pressure rating and longest service life.
- **29960** for repair of 27354-000 regulator.
- **66614** for repair of 66523-B air motor.
- **104020** for repair of 25351-010 filter.
- **104023** for repair of 26351-010 lubricator.
- **637098-R43** for repair of 66475-R4D lower pump section.
- **637103** for repair of 651533 spray gun.

OPERATING AND SAFETY PRECAUTIONS

⚠ WARNING READ THE GENERAL INFORMATION MANUAL INCLUDED FOR OPERATING AND SAFETY PRECAUTIONS AND OTHER IMPORTANT INFORMATION.

GENERAL DESCRIPTION

The ARO model NP828C01-1 pump and cart assembly is designed to provide portability to a pump that is primarily used for airless spray applications. Materials of light - medium viscosity are best suited for the unit.

IMPORTANT

This is one of the fourteen documents which support the various components of the system. Replacement copies are available upon request.

- NP828C01-1 Model Operator's Manual (pn 97999-1024)
- 650865-X-B Two-Ball Pump (pn 97999-878)
- S-636 General Information - Pumping Systems (pn 97999-636)
- 66475-X Lower Pump End (pn 97999-111)
- 66523-B Air Motor (pn 97999-868)
- 66554-X Heavy Duty Cart (pn 97999-574)
- 66559 Check Valve (pn 97999-315)
- 65030-X-B Filter and Swivel Assembly (pn 97999-587)
- 651533-X Spray Gun (pn 97999-83)
- 651418-X-B Material Filter (pn 97999-8)
- 651728-X F-R-L Accessory Kit (pn 97999-419)
- WARNING** - High Pressure Equipment (pn 97999-540)
- 253XX-X Heavy Duty Filter - Regulator - Lubricator (pn 103942)
- S-632 General Information - Industrial Piston Pumps (pn 97999-624)

INSTALLATION

The unit comes completely assembled.

PUMP DATA

NP828C01-1 Pump and Cart Assembly

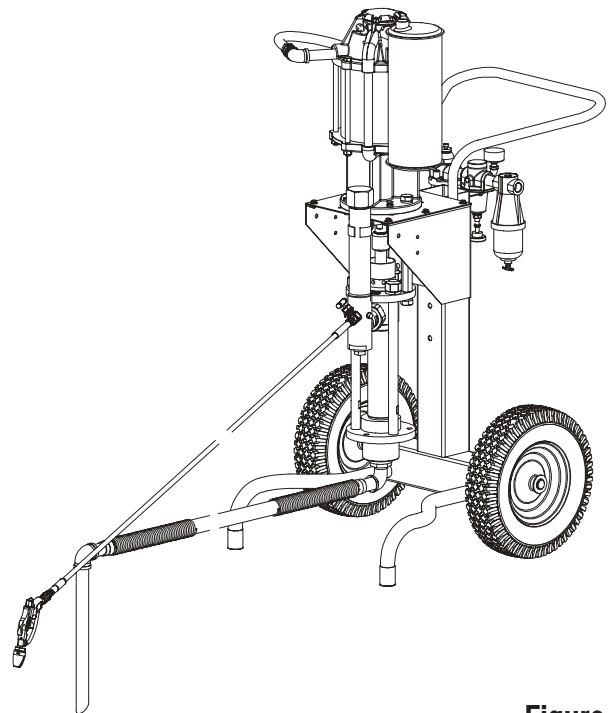


Figure 1

OPERATION

See 650865-X-B pump manual installation for flushing instructions. After the pump has been flushed with a compatible solvent and is ready for operation:

1. Place 66728 suction hose into material.
2. Connect air line to 651728-1 Filter - Regulator - Lubricator.
3. Turn knob on air regulator clockwise to start pump.
4. Allow pump to cycle slowly and prime with material. This will bleed trapped air from the system.

INGERSOLL-RAND COMPANY
P.O. BOX 151 • ONE ARO CENTER • BRYAN, OHIO 43506-0151
☎ (419) 636-4242 • FAX (419) 633-1674 ©2003 CCN 20051306



NP828C01-1 PARTS LIST

Item	Description (size in inches)	Qty	Part No.
1	Pump Assembly	(1)	650865-R4D-B
2	Muffler	(1)	92460-ZZ
3	Air Manifold Assembly	(1)	651728-1
4	Check Valve	(1)	66559
5	Close Nipple (1 - 11-1/2 N.P.T.F. - 1 x 1.5")	(1)	90818
6	Heavy Duty Cart	(1)	66554-2
7	Suction Hose Assembly	(1)	66728
8	Spray Nozzle	(1)	TC 1550
9	Airless Spray Gun	(1)	651533
10	Filter and Swivel Assembly	(1)	65030-9-B

Item	Description (size in inches)	Qty	Part No.
11	Hose Assembly (1/4" i.d. x 25')	(1)	628042-25
12	Adapter (3/8 N.P.T.F. female x 1/4 N.P.T.F. male)	(1)	71838
13	High Pressure Needle Valve	(1)	66593
14	Material Filter	(1)	651418-70-B
15	Bracket	(1)	92647
16	Bracket	(1)	92648
17	Cap Screw (1/2" - 13 x 3/4")	(1)	Y6-83-N
18	Nut (1/2" - 13)	(1)	Y12-8-N
19	Lock Washer (1/2")	(1)	Y14-816-C

DIMENSIONAL DATA

Width: 29-5/16" (744.7 mm)
 Depth: 35-31/32" (913.6 mm)
 Height: 59-1/32" (889.8 mm)

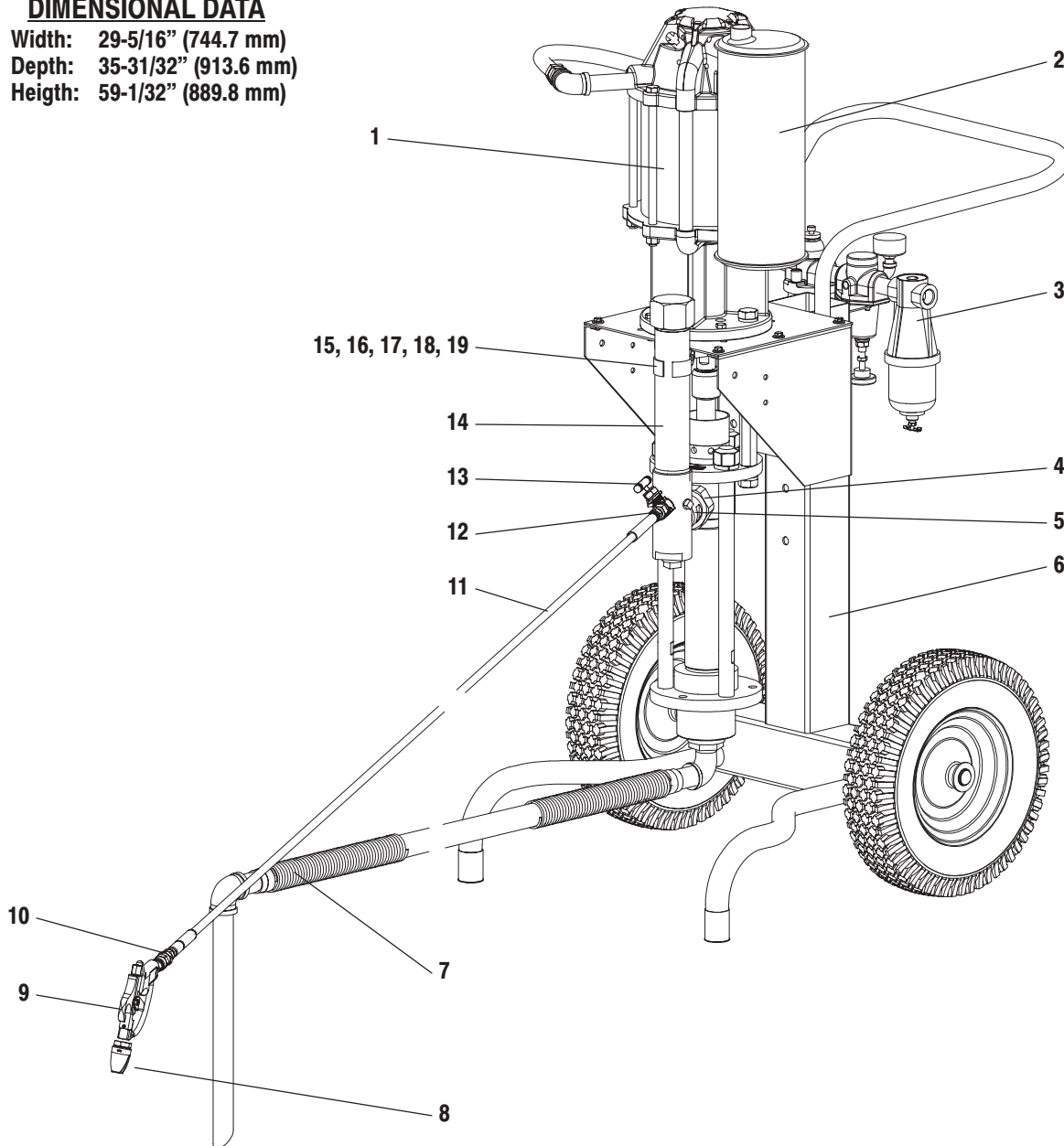


Figure 2

Free Manuals Download Website

<http://myh66.com>

<http://usermanuals.us>

<http://www.somanuals.com>

<http://www.4manuals.cc>

<http://www.manual-lib.com>

<http://www.404manual.com>

<http://www.luxmanual.com>

<http://aubethermostatmanual.com>

Golf course search by state

<http://golfingnear.com>

Email search by domain

<http://emailbydomain.com>

Auto manuals search

<http://auto.somanuals.com>

TV manuals search

<http://tv.somanuals.com>