

User Guide | Guide de l'utilisateur | Guía del Usuario



Mini-Shelf System with 3-CD Changer and AM/FM Tuner
Minisystème audio avec changeur de CD 3 disques et syntoniseur
AM/FM | Mini Sistema de audio con Cambiador de 3 CDs y
sintonizador de AM/FM

NS-A2113

Download from [Www.Somanuals.com](http://www.Somanuals.com). All Manuals Search And Download.

Insignia NS-A2113 Mini-Shelf System

Contents

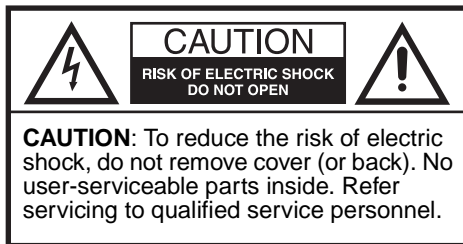
Welcome	3
Safety information	3
Features	7
Setting up your shelf system	10
Using your mini-shelf system	11
Troubleshooting	16
Maintaining your shelf system	17
Legal notices	18
Warranty	19
Français	21
Español	41

Welcome

Congratulations on your purchase of a high-quality Insignia product. Your NS-A2113 represents the state of the art in mini-shelf systems and is designed for reliable and trouble-free performance.

Safety information

To prevent fire or shock hazard, do not plug the power cord into an extension cord, receptacle, or other outlet unless the blades can be fully inserted to prevent blade exposure. To prevent fire or shock hazard do not expose this appliance to rain or moisture.





The lightning flash with arrowhead symbol within a triangle is intended to alert you to the presence of uninsulated dangerous voltage within your shelf system's enclosure that may be of sufficient magnitude to constitute risk of electric shock to persons.



The exclamation point within a triangle is intended to alert you to the presence of important operating and maintenance (servicing) instructions in the literature accompanying your shelf system.

Warning

Your shelf system uses a laser system. Follow all operating instructions in this guide, and save this guide for future reference. If your shelf system requires servicing, contact the seller or our service center.

To prevent direct exposure to the laser radiation, do not open the case. Invisible laser radiation is present when the case is opened or the interlocks are defeated. Do not stare into the laser beams.

Use of any controls, adjustments, or procedures other than those specified herein may result in hazardous radiation exposure.

Caution

Any change or modification to your shelf system not expressly approved by the manufacturer or its authorized parties could void your authority to operate your shelf system.

Caution:

Your shelf system should not be exposed to water (dripping or splashing) and no objects filled with liquids, such as vases, should be placed on it.

Important safeguards

- **Read instructions**—Read all the safety and operating instructions before operating your shelf system.
- **Retain instructions**—Retain the safety and operating instructions for future reference.
- **Follow warnings**—Follow all warnings on your shelf system and in the operating instructions.
- **Follow instructions**—Follow all operating and use instructions.

- **Cleaning**—Unplug your shelf system from the power outlet before cleaning. Do not use liquid cleaners or aerosol cleaners. Use a damp cloth for cleaning.
- **Attachments**—Do not use attachments not recommended by Insignia because they may cause hazards.
- **Water and moisture**—Do not use your shelf system near water, for example, near a bath tub, in a wet basement, or near a swimming pool.
- **Ventilation**—To ensure reliable operation of your shelf system and to protect it from overheating, ventilation slots and openings are provided in the cabinet back or bottom. Do not block these openings. Do not place your shelf system on a bed, sofa, rug, or other similar surface. Your shelf system should never be placed near or over a radiator or heat register. Do not place your shelf system in a built-in installation such as a bookcase or rack unless correct ventilation is provided or the manufacturer's instructions have been adhered to.
- **Power sources**—Use only the type of power source indicated on the marking label. If you are not sure of the type of power supply to your home, consult your shelf system dealer or local power company. For shelf systems intended to operate from battery power or other sources, refer to the operating instructions.
- **Grounding or polarization**—Your shelf system is equipped with a polarized alternating-current line plug (a plug having one blade wider than the other). This plug will fit into the power outlet only one way. This is a safety feature. If you are unable to insert the plug fully into the outlet, try reversing the plug. If the plug should still fail to fit, contact your electrician to replace your obsolete outlet. Do not defeat the safety purpose of the polarized plug.
- **Power cord protection**—Route power supply cords so that they are not likely to be walked on or pinched by items placed upon or against them, paying particular attention to cords at plugs, convenience receptacles, and the point where they exit from your shelf system.
- **Lightning**—For added protection for your shelf system during a lightning storm, or when it is left unattended and unused for long periods of time, unplug it from the power outlet and disconnect the antenna or cable system. This will prevent damage to your shelf system due to lightning and power line surges.
- **Overloading**—Do not overload power outlets and extension cords because this can result in a risk of fire or electric shock.

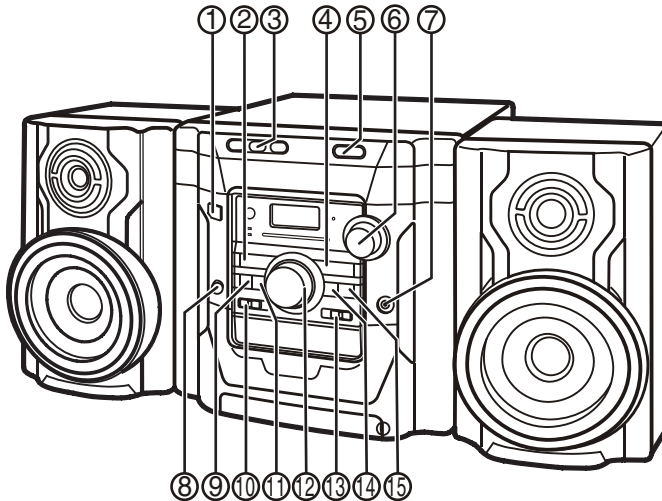
- **Object and liquid entry**—Never push objects of any kind into your shelf system through openings, because they may touch dangerous voltage points or short out parts that could result in a fire or electric shock. Never spill liquid of any kind on your shelf system.
- **Servicing**—Do not attempt to service your shelf system yourself, because opening or removing covers may expose you to dangerous voltage or other hazards. Refer all servicing to qualified service personnel.
- **Damage requiring service**—Unplug your shelf system from the power outlet and refer servicing to qualified service personnel under the following conditions:
 - When the power supply cord or plug is damaged or frayed.
 - If liquid has been spilled, or objects have fallen into your shelf system.
 - If your shelf system has been exposed to rain or water.
 - If your shelf system does not operate normally by following the operating instructions. Adjust only those controls that are covered by the operating instructions, because incorrect adjustment of other controls may result in damage and often requires extensive work by a qualified technician to restore your shelf system to its normal operation.
 - If your shelf system has been dropped or damaged in any way.
 - When your shelf system exhibits a distinct change in performance.
- **Replacement parts**—When replacement parts are required, make sure that the service technician uses replacement parts specified by the manufacturer that have the same characteristics as the original part. Unauthorized substitutions may result in fire, electric shock, injury to persons, or other hazards.
- **Safety check**—Upon completion of any service or repairs to your shelf system, ask the service technician to perform routine safety checks to determine that your shelf system is in correct operating condition.
- **Heat**—Place your shelf system away from heat sources such as radiators, heat registers, stoves, or other products (including amplifiers) that produce heat.

Caution

To prevent electric shock, match the wide blade of plug to the wide slot in the power outlet and fully insert the plug.

Features

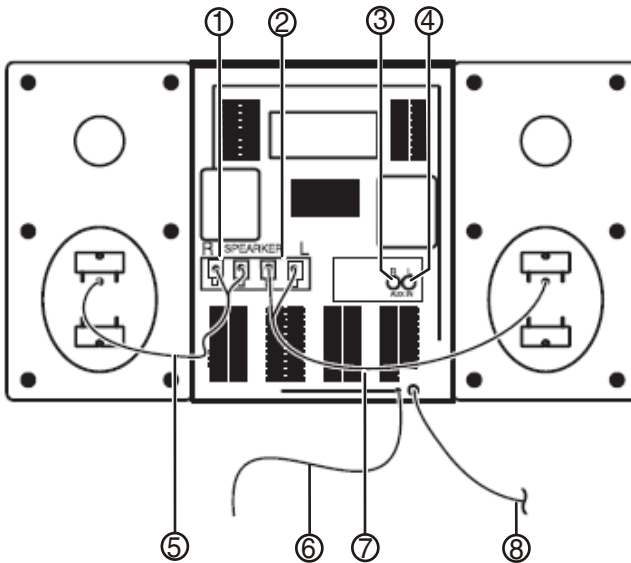
Front



#	Description	Function
1	POWER button	Press to turn the system on or off.
2	STOP ■ button	Press to stop disc playback.
3	DISC1/DISC2/DISC3 buttons	Press to select the disc to play.
4	PLAY/PAUSE ► button	Press to play or pause the disc.
5	OPEN/CLOSE button	Press to open and close the disc tray.
6	TUNING knob	Turn to tune to a different radio frequency.
7	Headphone jack	Connect stereo headphones here.
8	DBBS button	Press to increase the bass response of the player.
9	PROGRAM button	Press to program CD playback.
10	FUNCTION switch	Switch to select CD or Radio.
11	REPEAT button	Press to repeat tracks on the CD or the entire CD.
12	VOLUME knob	Turn to raise or lower the volume.
13	BAND switch	Switch to select AM, FM, or FM Stereo.
14	SKIP/SEARCH DN button	In radio mode, press to tune the radio to a lower frequency. In playback mode, press to select a previous track or chapter.

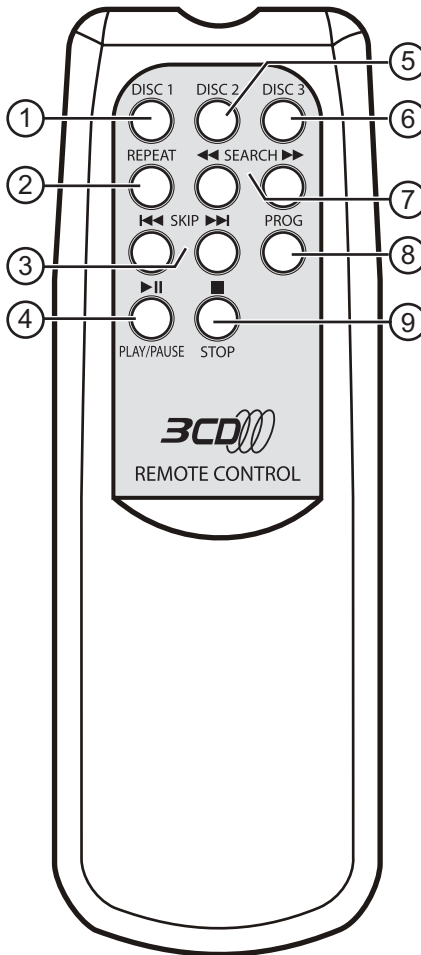
#	Description	Function
15	SKIP/SEARCH UP button	In radio mode, press to tune the radio to a higher frequency. In playback mode, press to select the next track or chapter.

Back



#	Description	Function
1	Right speaker jacks	Connect the wires from the right speaker to these jacks.
2	Left speaker jacks	Connect the wires from the left speaker to these jacks.
3	Right AUX In jack	Connect the right output from an external audio source to this jack.
4	Left AUX In jack	Connect the left output from an external audio source to this jack.
5	Right speaker wires	Connect these wires to the right speaker jacks.
6	FM antenna	Use to improve FM reception.
7	Left speaker wires	Connect these wires to the left speaker jacks.
8	AC power cord	Plug this cord into a power outlet.

Remote



#	Description	Function
1	DISC 1 button	Press to play disc 1 in the CD changer.
2	REPEAT button	Press to repeat tracks on the CD or the entire CD.
3	SKIP ◀◀/▶▶	Press to select a previous track or chapter or the next track or chapter.
4	PLAY/PAUSE ▶ button	Press begin playback, press again to pause, press again to resume playback.

#	Description	Function
5	DISC 2 button	Press to play disc 2 in the CD changer.
6	DISC 3 button	Press to play disc 3 in the CD changer.
7	SEARCH ◀◀/ ▶▶ buttons	Press to fast reverse or fast forward a disc to search for a selection.
8	PROG button	Press to program CD playback.
9	STOP ■ button	Press to stop playback of a disc.

Setting up your shelf system

Connecting the power cord

To use AC power:

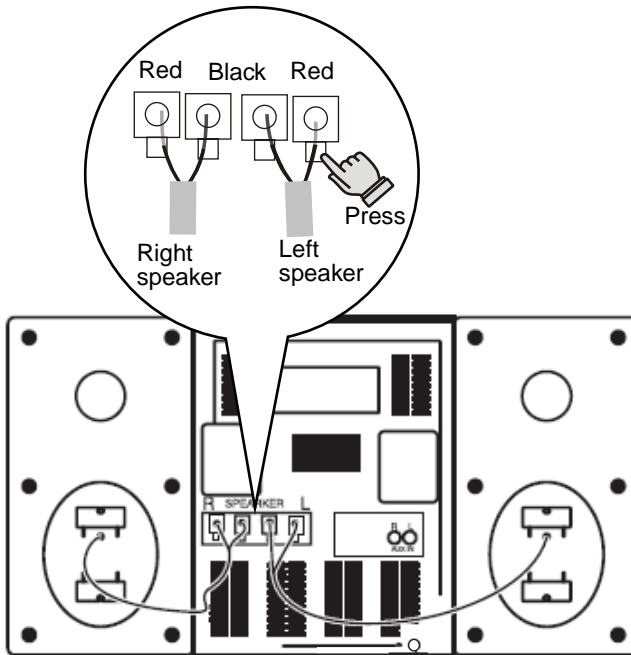
- 1 Make sure that your local AC power source matches the voltage shown on the plate located on the back of the system. If it does not, consult your dealer or service center.
- 2 Connect the power cord to the AC connector on the shelf system, then plug it into the AC wall outlet.
- 3 To switch the shelf system off completely, unplug the power cord from the AC wall outlet.

Caution

Unplug the power cord from the AC wall outlet during heavy thunderstorms to protect your shelf system.

Connecting the speakers

Connect the speaker wires to the back of the player, as shown in the following illustration.



Using your mini-shelf system

Using the radio

To use the radio:

- 1 Press the **POWER** button to turn on the shelf system.
- 2 Slide the function selector to **RADIO**.
- 3 Slide the band selector to **AM**, **FM**, or **FM ST.** (stereo).
- 4 Rotate the **TUNING** knob to the station you want.
 - For FM listening, pull out the antenna and adjust it for the best signal.
 - For AM listening, rotate the player for the best signal (it has a built-in antenna).

Note

The FM Stereo indicator LED lights when you tune to an FM stereo station, if the BAND selector is set to **FM ST**.

- 5 Adjust the sound level with the **VOLUME** control.
- 6 Press the **DBBS** button to boost the bass (if desired).
- 7 For private listening, plug your stereo headphones into the stereo headphone jack on top of the player. The speakers mute automatically.

Warning

To avoid damaging your hearing, set the volume to a low level before putting on the headphones, then adjust the volume up to a comfortable level.

- 8 To turn the radio off, press the **POWER** button.

Using the CD player

The CD player can play audio discs, including CD-R and CD-RW discs. The CD player is not compatible with CD-ROM, CDI, VCD, DVD, or computer CDs.

Note

CD-R and CD-RW discs must be finalized to play in this CD player.

To use the CD player:

- 1 Press the **POWER** button to turn the shelf system on.
- 2 Slide the function selector to **CD**.
- 3 Open the CD tray by pressing the **OPEN/CLOSE** button.
- 4 Insert as many as 3 discs with the printed side up, then press the **OPEN/CLOSE** button again to close the tray.
- 5 Press the **DISC1**, **DISC2**, or **DISC3** button to select the disc you want to play.
- 6 Press the **PLAY/PAUSE ►||** button to start playback.
 - To pause playback, press the **PLAY/PAUSE ►||** button.
 - To resume playback, press the **PLAY/PAUSE ►||** button again.
- 7 Adjust the sound level with the **VOLUME** control.
- 8 Press the **DBBS** button to boost the bass during playback (if desired).

- 9 For private listening, plug your stereo headphones into the stereo headphone jack on top of the player. The speakers mute automatically.

Warning

To avoid damaging your hearing, set the volume to a low level before putting on the headphones, then adjust the volume up to a comfortable level.

- 10 Press the **STOP** ■ button to stop the CD playback.

Note

Playback also stops when:

- You open the CD tray
- You select the RADIO sound source
- The CD is finished

Selecting a different track

To select a different track on a CD:

- 1 Press the **SKIP/SEARCH UP** button once for the next track, or press repeatedly until the track you want appears on the display.
- 2 Press the **SKIP/SEARCH DN** button once to return to the beginning of the current track, or press repeatedly to go to a previous track until the track you want appears on the display.
- 3 If you selected a track while the CD is stopped or paused, press **PLAY/PAUSE** ►|| to begin playback.

Locating a specific passage

To locate a specific passage within a track:

- 1 Press and hold the **SKIP/SEARCH UP** button or the **SKIP/SEARCH DN** button.
- 2 When you reach the passage you want, release the button. Normal playback resumes.

Repeating portions of a CD

To use Repeat mode:

- To repeat the current track, press the **REPEAT** button once (REPEAT and the disc number appear on the display).
- To repeat the entire CD, press the **REPEAT** button again (REPEAT and 1 DISC appear on the display).
- To repeat all the CDs in the player, press the **REPEAT** button again (REPEAT and ALL DISC appear on the display).
- To cancel Repeat mode and return to normal playback, press the **REPEAT** button again.

Programming playback

You can program as many as 30 tracks to play in the order you specify, and repeat any track more than once. An existing program can be edited in the same way.

To program playback:

- 1 In STOP mode, press **PROG**. *PROGRAM* appears on the display.
- 2 Press **SKIP/SEARCH UP** or **SKIP/SEARCH DN** to select the track you want.
- 3 When the track you want appears on the display, press the **PROGRAM** button to store the track in memory.
- 4 Repeat steps 2 and 3 to select additional tracks.
- 5 Press **PLAY/PAUSE** ►|| to play your program.
- 6 Press the **STOP** ■ button to cancel the program.

To erase a program:

- Open the CD tray
- Or -
- Select the **RADIO** source with the function selector

To repeat portions of a program:

- 1 Press **REPEAT** once to repeat the current track of the program playing. Press **REPEAT** three times to cancel.
- 2 Press **REPEAT** twice to repeat the entire chapter of the program currently playing. Press **REPEAT** twice to cancel.
- 3 Press **REPEAT** three times to repeat the entire program currently playing. Press **REPEAT** once to cancel.

Using the cassette player

Button	Function
PLAY ►	Press to play the cassette tape.
STOP/EJECT ■▲	Press to stop playback. Press again to eject the tape.
F.FWD ►►	Press to fast forward the tape.
REW ◄◄	Press to rewind the tape.
PAUSE	Press to pause the tape. Press again to resume playback.
RECORD ●	Press to begin recording to the tape.

To use the cassette player:

- 1 Press the **POWER** button to turn the shelf system on.
- 2 Slide the function selector to **TAPE**.
- 3 Open the cassette door by pressing the **STOP/EJECT** button at the bottom of the door.
- 4 Insert a cassette tape, open side down, then press the door closed.
- 5 Press the **PLAY ▶** button to begin playback.
- 6 Adjust the sound level with the **VOLUME** control.
- 7 Press the **DBBS** button to boost the bass during playback (if desired).
- 8 For private listening, plug your stereo headphones into the stereo headphone jack on top of the player. The speakers mute automatically.

Warning

To avoid damaging your hearing, set the volume to a low level before putting on the headphones, then adjust the volume up to a comfortable level.

- 9 Press the **STOP ■** button to stop the cassette playback.

To record with the cassette player:

- 1 Press the **POWER** button to turn the shelf system on.
- 2 Slide the function selector to **RADIO**.
- 3 Open the cassette door by pressing the **STOP/EJECT** button at the bottom of the door.
- 4 Insert a blank cassette tape, open side down, then press the door closed.
- 5 Tune the radio to the station you want to record, then press the **RECORD** button.
- 6 Press the **STOP ■** button to stop recording.

Using your player to listen to another sound source

To use your player to listen to another sound source:

- 1 Make sure that the power is turned off, then connect a cable from the audio out jacks on the device to the **AUX-IN** jacks on the back of the player.
- 2 Press **POWER** to turn on the player, then slide the function switch to select **AUX**.
- 3 Adjust the sound level with the **VOLUME** control.

- 4 Press the **DBBS** button to boost the bass.
- 5 For private listening, plug your stereo headphones into the stereo headphone jack on top of the player. The speakers mute automatically.

Warning

To avoid damaging your hearing, set the volume to a low level before putting on the headphones, then adjust the volume up to a comfortable level.

Troubleshooting

Caution

Do not try to repair the shelf system yourself. Doing so will invalidate your warranty.

Problem	Possible cause	Solution
No sound or power	Volume too low.	Turn up the volume.
	AC power cord not securely connected.	Connect the AC power cord.
The CD does not play	The CD was incorrectly inserted.	Reinsert the CD, label side up.
	The CD is defective.	Try another CD.
	The CD compartment is not closed.	Close the CD door.
	There is condensation in the CD compartment.	Remove the CD and leave the cover open for about an hour in a dry environment.
No disc indicated on the display	No CD inserted.	Insert a CD, CD-R, or CD-RW disc.
	The CD is badly scratched or dirty.	Clean the CD if it's dirty. Replace the CD if it's defective.
	There is condensation in the CD compartment.	Remove the CD and leave the cover open for about an hour in a dry environment.
	You are using a CD-R or CD-RW that is blank or the disc has not been finalized.	Use a finalized CD-R or CD-RW.
No sound in the headphones	The headphone jack is not correctly inserted.	Reinsert the headphone plug into the jack.
	The volume control is turned down.	Increase the volume.
	The CD or tape is defective.	Try another CD or tape.

Problem	Possible cause	Solution
The CD skips during play	The CD or lens is dirty.	Clean or replace the CD, or clean the lens.
	Strong shaking or vibrations	Place the shelf system on a flat and stable surface without vibration.
	The CD player is programmed to skip a track.	Quit the Program mode.
No sound or poor sound on the radio	The station is not tuned in correctly.	Retune the station.
	FM—The antenna is not correctly adjusted.	Adjust the FM antenna for better reception.
	AM—The player is not positioned for good reception.	Rotate the player for better reception.

Maintaining your shelf system

Note

The mechanical part of this shelf system contains self-lubricating bearings and must not be oiled or lubricated.

Cleaning the case

Wipe with a soft cloth. If the case is very dirty, moisten the cloth with a weak solution of non-caustic detergent and water.

Cleaning the lens

A dirty lens can cause skipping and can even stop the CD player from working.

To clean dry particles and dust from the lens:

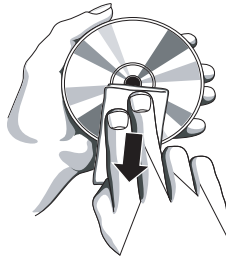
- 1 Open the CD cover.
- 2 Use a camera lens puffer-brush to blow repeatedly on the lens, then wipe with the brush to remove dust.
- 3 Blow again to remove loose particles.

To clean fingerprints from the lens:

- If the lens does not come clean with the puffer-brush, wipe it with a soft cotton cloth.

Cleaning CDs

Using a soft cleaning cloth, wipe the CD from the center outwards.

**Caution**

Do not use solvents such as benzene, thinners, commercial cleaning fluids, or anti-static sprays designed for vinyl records.

Legal notices

© 2007 Insignia. Insignia and the Insignia logo are trademarks of Best Buy Enterprise Services, Inc. Other brands and product names are trademarks or registered trademarks of their respective holders. Specifications and features are subject to change without notice or obligation.

For service and support call (877) 467-4289.

Warranty

90-day limited warranty

Insignia Products (“Insignia”) warrants to you, the original purchaser of this new shelf system (“Product”), that the Product shall be free of defects in the original manufacture of the material or workmanship for a period of 90 days from the date of your purchase of the Product (“Warranty Period”). This Product must be purchased from an authorized dealer of Insignia brand products and packaged with this warranty statement. This warranty does not cover refurbished Product. If you notify Insignia during the Warranty Period of a defect covered by this warranty that requires service, terms of this warranty apply.

How long does the coverage last?

The Warranty Period lasts for 90 days from the date you purchased the Product. The purchase date is printed on the receipt you received with the Product.

What does this warranty cover?

During the Warranty Period, if the original manufacture of the material or workmanship of the Product is determined to be defective by an authorized Insignia repair center or store personnel, Insignia will (at its sole option): (1) repair the Product with new or rebuilt parts; or (2) replace the Product at no charge with new or rebuilt comparable products or parts. Products and parts replaced under this warranty become the property of Insignia and are not returned to you. If service of Products or parts are required after the Warranty Period expires, you must pay all labor and parts charges. This warranty lasts as long as you own your Insignia Product during the Warranty Period. Warranty coverage terminates if you sell or otherwise transfer the Product.

How to obtain warranty service?

If you purchased the Product at a retail store location, take your original receipt and the Product to the store you purchased it from. Make sure that you place the Product in its original packaging or packaging that provides the same amount of protection as the original packaging. If you purchased the Product from an online web site, mail your original receipt and the Product to the address listed on the web site. Make sure that you put the Product in its original packaging or packaging that provides the same amount of protection as the original packaging.

Where is the warranty valid?

This warranty is valid only to the original purchaser of the product in the United States and Canada.

What does the warranty not cover?

This warranty does not cover:

- Customer instruction
- Installation
- Set up adjustments
- Cosmetic damage
- Damage due to acts of God, such as lightning strikes
- Accident
- Misuse
- Abuse
- Negligence
- Commercial use

- Modification of any part of the Product, including the antenna
- This warranty also does not cover:
- Damage due to incorrect operation or maintenance
 - Connection to an incorrect voltage supply
 - Attempted repair by anyone other than a facility authorized by Insignia to service the Product
 - Products sold as is or with all faults
 - Consumables, such as fuses or batteries
 - Products where the factory applied serial number has been altered or removed

REPAIR REPLACEMENT AS PROVIDED UNDER THIS WARRANTY IS YOUR EXCLUSIVE REMEDY. INSIGNIA SHALL NOT BE LIABLE FOR ANY INCIDENTAL OR CONSEQUENTIAL DAMAGES FOR THE BREACH OF ANY EXPRESS OR IMPLIED WARRANTY ON THIS PRODUCT, INCLUDING, BUT NOT LIMITED TO, LOST DATA, LOSS OF USE OF YOUR PRODUCT, LOST BUSINESS OR LOST PROFITS. INSIGNIA PRODUCTS MAKES NO OTHER EXPRESS WARRANTIES WITH RESPECT TO THE PRODUCT, ALL EXPRESS AND IMPLIED WARRANTIES FOR THE PRODUCT, INCLUDING, BUT NOT LIMITED TO, ANY IMPLIED WARRANTIES OF AND CONDITIONS OF MERCHANTABILITY AND FITNESS FOR A PARTICULAR PURPOSE, ARE LIMITED IN DURATION TO THE WARRANTY PERIOD SET FORTH ABOVE AND NO WARRANTIES, WHETHER EXPRESS OR IMPLIED, WILL APPLY AFTER THE WARRANTY PERIOD. SOME STATES, PROVINCES AND JURISDICTIONS DO NOT ALLOW LIMITATIONS ON HOW LONG AN IMPLIED WARRANTY LASTS, SO THE ABOVE LIMITATION MAY NOT APPLY TO YOU. THIS WARRANTY GIVES YOU SPECIFIC LEGAL RIGHTS, AND YOU MAY ALSO HAVE OTHER RIGHTS, WHICH VARY FROM STATE TO STATE OR PROVINCE TO PROVINCE.

Insignia NS-A2113

Minisystème audio

Table des matières

Bienvenue	21
Informations sur la sécurité	21
Fonctionnalités	25
Installation de l'appareil	29
Utilisation de l'appareil	30
Problèmes et solutions	36
Entretien de l'appareil	37
Avis juridiques	38
Garantie	39

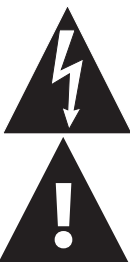
Bienvenue

Félicitations d'avoir acheté ce produit Insignia de haute qualité. Le modèle NS-A2113 représente la dernière avancée technologique dans la conception de minisystèmes audio et a été conçu pour des performances et une fiabilité exceptionnelles.

Informations sur la sécurité

Afin de réduire les risques d'incendie et de choc électrique, ne pas utiliser cette prise avec une rallonge ou autres prises d'alimentation, sauf si les plots peuvent s'y enfoncer entièrement sans être exposés. Afin de réduire les risques d'incendie et de choc électrique, ne pas exposer cet appareil à la pluie ou l'humidité.





L'éclair fléché au centre d'un triangle équilatéral prévient l'utilisateur de la présence de tensions élevées non isolées dans l'appareil, pouvant constituer un risque de choc électrique pour les personnes.

Le point d'exclamation au centre d'un triangle équilatéral prévient l'utilisateur de la présence d'instructions importantes dans le manuel de l'utilisateur livré avec l'appareil concernant son utilisation et son entretien.

Avertissement

Cet appareil est équipé d'un système au laser. Observer toutes les instructions d'utilisation dans ce guide et le conserver pour toute référence ultérieure. Si l'appareil a besoin d'être réparé, contacter le vendeur ou le centre de réparation agréé.

Pour éviter toute exposition à des radiations lasers, ne pas ouvrir le boîtier. Un rayonnement laser invisible est émis quand le boîtier est ouvert ou que le dispositif de verrouillage est défectueux. Ne pas regarder directement le faisceau laser.

L'utilisation de commandes, de réglages ou l'exécution de procédures autres que celles indiquées ici peuvent aboutir à une irradiation dangereuse.

Précautions

Tout changement ou modification de l'appareil non expressément approuvé par le fabricant ou ses représentants autorisés pourrait annuler l'autorisation pour l'utilisateur de faire fonctionner cet appareil.

Attention :

Cet appareil ne doit pas être exposé à des éclaboussures ou à des gouttes d'eau et aucun objet rempli de liquide, tel qu'un vase, ne doit être posé sur l'appareil.

Importantes mesures de sécurité

- **Lire les instructions** — Lire toutes les instructions de sécurité et de fonctionnement avant d'utiliser cet appareil.
- **Conserver les instructions** — Conserver les instructions de sécurité et de fonctionnement pour toute référence ultérieure.
- **Respecter les avertissements** — Observer tous les avertissements figurant sur cet appareil ainsi que dans les instructions d'utilisation.

- **Suivre les instructions** — Toutes les instructions d'utilisation doivent être appliquées.
- **Nettoyage** — Débrancher l'appareil de la prise secteur avant tout nettoyage. Ne pas utiliser de nettoyants liquides ou en aérosol. Utiliser un chiffon humide pour le nettoyage.
- **Périphériques** — Ne pas utiliser de périphériques qui ne sont pas recommandés par Insignia, lesquels pourraient être source de dangers.
- **Eau et humidité** — Ne pas utiliser cet appareil à proximité de l'eau, par exemple, à côté d'une baignoire, d'un lavabo, d'un évier, d'un bac à laver, dans une cave humide ou à côté d'une piscine.
- **Ventilation** — Les fentes et ouvertures au dos et au bas du boîtier sont prévues pour la ventilation, afin d'assurer un fonctionnement fiable de l'appareil et de le protéger contre toute surchauffe. Ne pas obstruer les ouvertures. Ne pas placer l'appareil sur un lit, un sofa, une moquette ou toute autre surface semblable. L'appareil ne doit jamais être positionné à proximité ou sur un radiateur, ou une bouche de chauffage. Ne pas installer l'appareil dans un meuble encastré comme une bibliothèque ou sur une étagère, sauf si une ventilation adéquate a été prévue ou si les instructions du fabricant ont été respectées.
- **Sources d'alimentation** — Utiliser uniquement le type d'alimentation électrique indiqué sur la plaque signalétique. En cas d'incertitude sur la tension d'alimentation électrique de la maison, consulter le revendeur ou la compagnie d'électricité. Pour les appareils fonctionnant sur piles ou d'autres sources d'alimentation électrique, consulter les instructions d'utilisation.
- **Mise à la terre ou polarisation** — Cet appareil est équipé d'une prise de courant CA polarisée (à deux plots, un plus large que l'autre). Cette fiche ne s'insère dans une prise secteur que d'une seule façon. Il s'agit d'un dispositif de sécurité. S'il est impossible d'introduire à fond la fiche dans la prise secteur, essayer de retourner la prise. Si la fiche ne s'adapte toujours pas à la prise secteur, contacter un électricien afin qu'il remplace la prise inadéquate. Ne pas chercher à modifier le dispositif de sécurité de la prise polarisée.
- **Protection du cordon d'alimentation** — Acheminer le cordon d'alimentation de telle manière qu'on ne puisse marcher dessus ou qu'il ne soit pas pincé par des objets placés dessus ou tout contre; prêter particulièrement attention au point de raccordement du cordon à la prise murale, à la plaque multiprises et au connecteur de l'appareil dans lequel il est branché.

- **Foudre** — Pour protéger l'appareil pendant un orage ou s'il se trouve inutilisé et sans surveillance pendant de longues périodes, le débrancher de la prise secteur et débrancher l'antenne ou la connexion au réseau câblé. Ceci évitera d'endommager l'appareil en cas de foudre et de variations de tension du secteur.
- **Surcharge** — Les prises murales et les rallonges ne doivent pas être surchargées, ce qui pourrait provoquer des risques d'incendie ou de choc électrique.
- **Pénétration de liquides et d'objets divers** — Ne jamais enfoncer un objet quelconque dans les ouvertures de l'appareil, car il pourrait entrer en contact avec des tensions dangereuses ou provoquer un court-circuit à l'origine d'un incendie ou d'un choc électrique. Ne jamais répandre un liquide sur l'appareil.
- **Réparation** — L'utilisateur ne doit pas essayer de réparer cet appareil lui-même; en effet son ouverture ou le démontage du boîtier peut l'exposer à des tensions dangereuses ou à d'autres dangers. Toutes les réparations doivent être réalisées par du personnel qualifié.
- **Dommages requérant des réparations** — Débrancher l'appareil de la prise secteur et utiliser les services d'un technicien qualifié dans les conditions suivantes :
 - Lorsque le cordon d'alimentation est effiloché ou la prise endommagée.
 - Si un liquide a été répandu ou des objets sont tombés dans l'appareil.
 - Si l'appareil a été exposé à la pluie ou à l'eau.
 - Si l'appareil fonctionne anormalement en appliquant les instructions d'utilisation. Ne régler que les commandes décrites dans les instructions d'utilisation; en effet, un réglage incorrect d'autres commandes pourrait provoquer des détériorations entraînant souvent d'importantes réparations par un technicien qualifié afin de rétablir un fonctionnement normal.
 - Si l'appareil est tombé ou s'il est endommagé de quelque façon que ce soit.
 - Déterioration marquée des performances de l'appareil.
- **Pièces de remplacement** — Si des pièces doivent être remplacées, vérifier que le technicien a utilisé des pièces spécifiées par le fabricant ayant les mêmes caractéristiques que celles d'origine. Toute substitution par des pièces non autorisées risque de provoquer un incendie, un choc électrique, des blessures ou d'autres dangers.
- **Contrôle de sécurité** — Les réparations ou la maintenance ayant été effectuées, demander au technicien de réaliser les contrôles de sécurité de routine afin de déterminer que l'appareil est en bon état de fonctionnement.

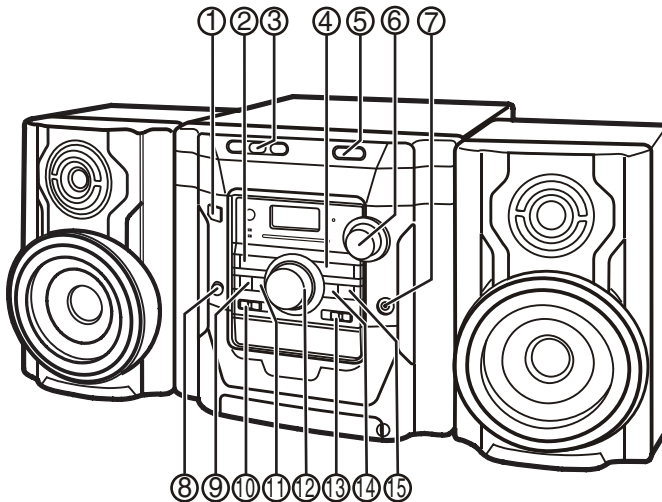
- **Chaleur** — Installer l'appareil à l'écart de sources de chaleur, telles que radiateurs, bouches de chaleur, fours ou autres appareils (y compris les amplificateurs) qui produisent de la chaleur.

Précautions

Pour éviter les chocs électriques, introduire la lame la plus large de la fiche dans la fente correspondante de la prise et pousser à fond.

Fonctionnalités

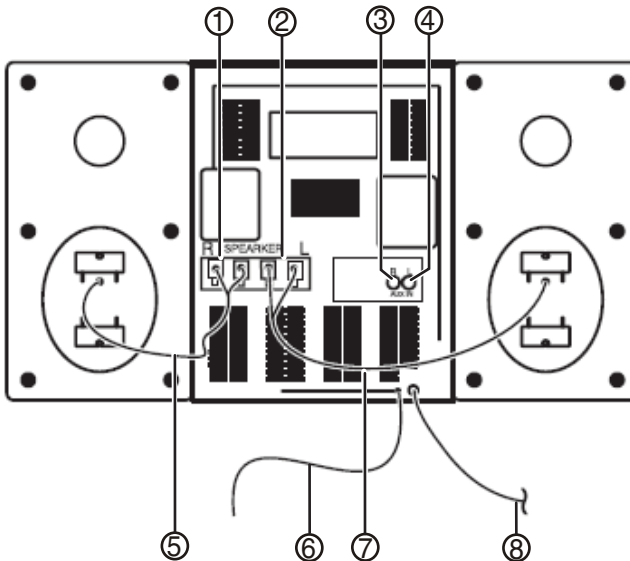
Avant



#	Description	Fonction
1	Touche MARCHÉ/ARRÊT	Permet de mettre le système sous ou hors tension.
2	Touche ARRÊT ■	Permet d'arrêter la lecture du disque.
3	Touches DISQUE 1/DISQUE 2/DISQUE 3	Permettent de sélectionner le disque à lire.
4	Touche LECTURE/PAUSE ▶	Permet la lecture ou l'arrêt momentané d'un disque.
5	Touche OUVRIR/FERMER	Permet d'ouvrir ou de fermer le plateau à disque.
6	Bouton SYNTONISATION	Permet de syntoniser une fréquence radio différente.

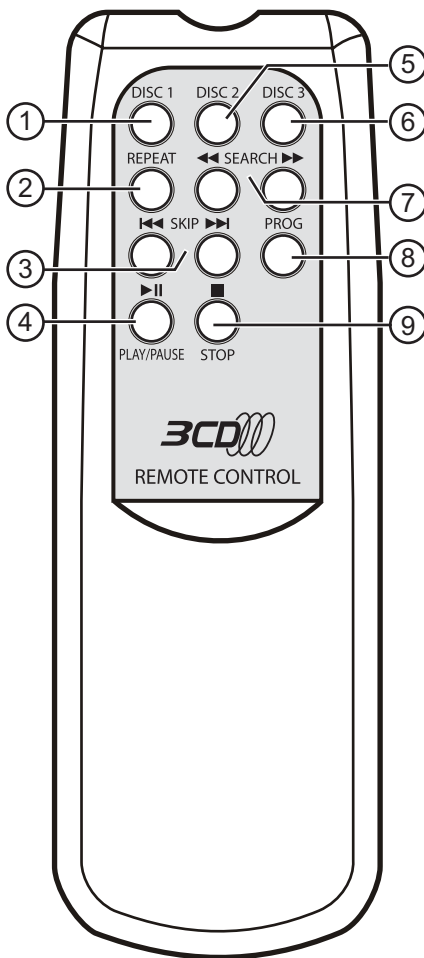
#	Description	Fonction
7	Prise de casque d'écoute	Brancher le casque d'écoute stéréo ici.
8	Touche DBBS	Permet d'amplifier les graves du lecteur.
9	Touche PROGRAMMATION	Permet de programmer la lecture d'un CD.
10	Sélecteur de FONCTION	Faire glisser pour sélectionner CD ou Radio.
11	Touche RÉPÉTITION	Permet de répéter la lecture des pistes d'un CD ou le CD tout entier.
12	Bouton du VOLUME	Permet d'augmenter ou de diminuer le volume.
13	Sélecteur de BANDE	Le faire glisser pour sélectionner la radio AM, FM ou FM stéréo.
14	Touche SAUT ARRIÈRE/ RECHERCHE DÉCROISSANTE	En mode radio, permet de syntoniser les stations radio à fréquence inférieure. En mode lecture de CD, permet de sélectionner la piste ou le chapitre précédent.
15	Touche SAUT AVANT/ RECHERCHE CROISSANTE	En mode radio, permet de syntoniser les stations radio à fréquence supérieure. En mode lecture de CD, permet de sélectionner la piste ou le chapitre suivant.

Partie arrière



#	Description	Fonction
1	Connecteurs du haut-parleur droit	Brancher les câbles du haut-parleur droit sur ces connecteurs.
2	Connecteurs du haut-parleur gauche	Brancher les câbles du haut-parleur gauche sur ces connecteurs.
3	Prise AUX In (Entrée auxiliaire) droite	Brancher le câble de sortie audio droite d'un périphérique sur cette prise.
4	Prise AUX In (Entrée auxiliaire) gauche	Brancher le câble de sortie audio gauche d'un périphérique sur cette prise.
5	Câbles du haut-parleur droit	Brancher ces câbles aux connecteurs du haut-parleur droit.
6	Antenne FM	L'utiliser pour améliorer la réception FM.
7	Câbles du haut-parleur gauche	Brancher ces câbles aux connecteurs du haut-parleur gauche.
8	Cordon d'alimentation CA	Brancher le cordon d'alimentation sur une prise secteur.

Télécommande



#	Description	Fonction
1	Touche DISQUE 1	Permet la lecture du disque 1 du changeur de CD.
2	Touche RÉPÉTITION	Permet de répéter la lecture des pistes d'un CD ou le CD tout entier.
3	SAUT ◀◀/ ▶▶	Permet de sélectionner la piste ou le chapitre précédent, ou la piste ou le chapitre suivant.

#	Description	Fonction
4	Touche LECTURE/PAUSE ▶	Permet de commencer la lecture, appuyer de nouveau pour l'interrompre momentanément, puis de nouveau pour la reprendre.
5	Touche DISQUE 2	Permet la lecture du disque 2 du changeur de CD.
6	Touche DISQUE 3	Permet la lecture du disque 3 du changeur de CD.
7	Touches de RECHERCHE ◀◀/▶▶	Permettent le retour ou l'avance rapide d'un disque pour rechercher une sélection.
8	Touche de PROGRAMMATION	Permet de programmer la lecture d'un CD.
9	Touche ARRÊT ■	Pour arrêter momentanément la lecture d'un DVD.

Installation de l'appareil

Connexion du cordon d'alimentation

Pour utiliser l'alimentation CA :

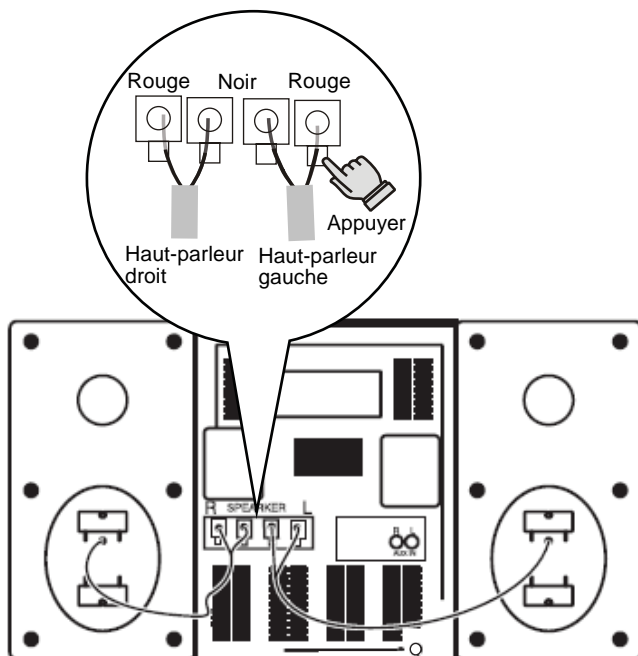
- 1 Vérifier que la source d'alimentation CA locale correspond à la tension indiquée sur la plaque signalétique à l'arrière de l'appareil. Si elle ne correspond pas, contacter le détaillant ou un centre de réparation.
- 2 Brancher le cordon d'alimentation au connecteur CA sur l'appareil, puis l'autre extrémité sur une prise secteur CA.
- 3 Pour éteindre l'appareil complètement, débrancher le cordon d'alimentation de la prise secteur CA.

Précautions

Afin de protéger l'appareil pendant les gros orages, débrancher le cordon d'alimentation de la prise secteur CA.

Connexion des haut-parleurs

Connecter les câbles des haut-parleurs à l'arrière de l'appareil tel qu'illustré sur le schéma suivant.



Utilisation de l'appareil

Fonctionnement de la radio

Pour utiliser la radio :

- 1 Appuyer sur **POWER** (Marche/Arrêt) pour mettre l'appareil sous tension.
- 2 Faire glisser le sélecteur de fonctions sur **RADIO**.
- 3 Faire glisser le sélecteur de bande sur **AM**, **FM**, ou **FM ST.** (FM stéréo).
- 4 Tourner le bouton **TUNING** (Syntonisation) sur la station d'écoute souhaitée.
 - Pour l'écoute FM, déployer l'antenne puis la réorienter pour obtenir la meilleure réception.

- Pour l'écoute AM, réorienter l'appareil pour obtenir la meilleure réception (il est équipé d'une antenne intégrée).

Remarque

Si le sélecteur de BANDE est réglé sur **FM ST**, le témoin à DEL stéréo FM s'allume quand une station stéréo FM est syntonisée.

- 5 Régler le niveau sonore avec la commande du **VOLUME**.
- 6 Appuyer sur **DBBS** pour amplifier les graves (si souhaité).
- 7 Pour l'écoute individuelle, brancher le casque d'écoute stéréo sur la prise de l'appareil prévue à cet effet. Les haut-parleurs sont automatiquement mis en sourdine.

Avertissement

Pour éviter d'affecter l'ouïe, conserver le volume au niveau le plus bas avant de mettre le casque d'écoute, puis le régler ensuite à un niveau acceptable.

- 8 Appuyer sur **POWER** (Marche/Arrêt) pour éteindre la radio.

Utilisation du lecteur de CD

Ce lecteur de CD peut lire des disques audio tels que les CD-R et CD-RW. Il n'est pas compatible avec les CD-ROM, CDI, VCD, DVD ou CD d'ordinateurs.

Remarque

Ce lecteur de CD ne peut pas lire les disques CD-R et CD-RW s'ils ne sont pas finalisés.

Pour utiliser le lecteur de CD :

- 1 Appuyer sur **POWER** (Marche/Arrêt) pour mettre l'appareil sous tension.
- 2 Faire glisser le sélecteur de fonctions sur **CD**.
- 3 Ouvrir le plateau à disque en appuyant sur **OPEN/CLOSE** (Ouvrir/Fermer).
- 4 Insérer jusqu'à 3 disques avec le côté imprimé tourné vers le haut, puis appuyer de nouveau sur **OPEN/CLOSE** pour refermer le plateau à disque.
- 5 Appuyer sur **DISC1**, **DISC2**, ou **DISC3** pour sélectionner le disque souhaité.
- 6 Appuyer sur **PLAY/PAUSE ►||** (Lecture/Pause) pour commencer la lecture.
 - Pour arrêter momentanément la lecture, appuyer sur **PLAY/PAUSE**.

- Pour reprendre la lecture normale, appuyer de nouveau sur **PLAY/PAUSE ►||**.
- 7 Régler le niveau sonore avec la commande du **VOLUME**.
 - 8 Appuyer sur **DBBS** pour amplifier les graves pendant la lecture (si souhaité).
 - 9 Pour l'écoute individuelle, brancher le casque d'écoute stéréo sur la prise de l'appareil prévue à cet effet. Les haut-parleurs sont automatiquement mis en sourdine.

Avertissement

Pour éviter d'affecter l'ouïe, conserver le volume au niveau le plus bas avant de mettre le casque d'écoute, puis le régler ensuite à un niveau acceptable.

- 10 Appuyer sur **STOP ■** (Arrêt) pour arrêter la lecture du CD.

Remarque

La lecture est aussi interrompue lorsque :

- Le plateau à disque est ouvert
- La source audio RADIO est sélectionnée
- La lecture du CD est terminée

Sélection d'une piste particulière

Pour sélectionner une autre piste sur un CD :

- 1 Appuyer une fois sur **SKIP/SEARCH UP** (Saut avant/Recherche croissante) pour aller à la piste suivante, ou plusieurs fois jusqu'à ce que la piste souhaitée s'affiche à l'écran.
- 2 Appuyer une fois sur **SKIP/SEARCH DN** (Saut arrière/Recherche décroissante) pour revenir au début de la piste en cours, ou plusieurs fois jusqu'à ce que la piste précédente souhaitée s'affiche à l'écran.
- 3 Si une piste est sélectionnée pendant l'arrêt complet ou momentané d'un CD, appuyer sur **PLAY/PAUSE ►||** (Lecture/Pause) pour commencer la lecture.

Localisation d'un point particulier

Pour localiser un point particulier sur une piste :

- 1 Maintenir appuyé **SKIP/SEARCH UP** (Saut avant/Recherche croissante) ou **SKIP/SEARCH DN** (Saut arrière/Recherche décroissante).
- 2 Relâcher la touche lorsque le point voulu de la sélection est atteint. La lecture normale reprend.

Répétition des parties d'un CD

Pour utiliser le mode Repeat (Répétition) :

- Pour répéter la piste en cours, appuyer une fois sur **REPEAT** (REPEAT et le numéro du disque s'affichent à l'écran).
- Pour répéter tout le CD, appuyer de nouveau sur **REPEAT** (REPEAT et 1 DISC s'affichent à l'écran).
- Pour répéter tous les CD dans le lecteur, appuyer de nouveau sur **REPEAT** (REPEAT et ALL DISC [Tous les disques] s'affichent à l'écran).
- Pour annuler le mode Répétition, appuyer de nouveau sur **REPEAT**.

Programmation de la lecture

Il est possible de programmer la lecture de 30 pistes au maximum dans l'ordre souhaité et de répéter une piste plus d'une fois. Un programme existant peut être modifié de la même façon.

Pour programmer la lecture :

- 1 En mode ARRÊT, appuyer sur **PROG** (Programmation). *PROGRAM* (Programmation) s'affiche à l'écran.
- 2 Appuyer sur **SKIP/SEARCH UP** (Saut avant/Recherche croissante) ou sur **SKIP/SEARCH DN** (Saut arrière/Recherche décroissante) pour sélectionner la piste souhaitée.
- 3 Quand la piste souhaitée s'affiche à l'écran, appuyer sur **PROGRAM** (Programmation) pour enregistrer la piste en mémoire.
- 4 Répéter les étapes 2 à 3 pour sélectionner des pistes supplémentaires.
- 5 Appuyer sur **PLAY/PAUSE** ►|| (Lecture/Pause) pour commencer la lecture du programme.
- 6 Appuyer sur la touche **STOP** (Arrêt) ■ pour annuler le programme.

Pour annuler un programme :

- Ouvrir le plateau à CD.
- Ou -
- Choisir la source **RADIO** avec le sélecteur de fonctions

Pour répéter des parties d'un programme :

- 1 Appuyer une fois sur **REPEAT** pour répéter la piste actuelle du programme en cours de lecture. Appuyer trois fois sur **REPEAT** pour annuler.

- 2 Appuyer deux fois sur **REPEAT** pour répéter tout le chapitre du programme en cours de lecture. Appuyer deux fois sur **REPEAT** pour annuler.
- 3 Appuyer trois fois sur **REPEAT** pour répéter tout le programme en cours de lecture. Appuyer une fois sur **REPEAT** pour annuler.

Fonctionnement du lecteur de cassettes

Touche	Fonction
PLAY (Lecture) ►	Permet de lire la cassette.
STOP/EJECT (Arrêt/Éjecter) ■ ▲	Permet d'arrêter la lecture. Appuyer de nouveau sur cette touche pour éjecter la cassette.
F.FWD (Avance rapide) ►►	Permet l'avance rapide de la cassette.
REW (Rembobiner) ◀◀	Permet de rembobiner la cassette.
PAUSE	Permet une d'interrompre momentanément la lecture. Appuyer de nouveau sur cette touche pour reprendre la lecture.
RECORD (Enregistrer) ●	Permet de lancer l'enregistrement d'une cassette.

Pour utiliser le lecteur de cassettes :

- 1 Appuyer sur **POWER** (Marche/Arrêt) pour mettre l'appareil sous tension.
- 2 Faire glisser le sélecteur de fonctions sur **TAPE** (Cassette).
- 3 Ouvrir le compartiment de la cassette en appuyant sur **STOP/EJECT** (Arrêt/Éjecter) sur la partie inférieure du compartiment.
- 4 Insérer une cassette, le côté ouvert vers le bas, puis refermer le compartiment.
- 5 Appuyer sur **PLAY** ► (Lecture) pour commencer la lecture.
- 6 Régler le niveau sonore avec la commande du **VOLUME**.
- 7 Appuyer sur **DBBS** pour amplifier les graves pendant la lecture (si souhaité).

- 8 Pour l'écoute individuelle, brancher le casque d'écoute stéréo sur la prise de l'appareil prévue à cet effet. Les haut-parleurs sont automatiquement mis en sourdine.

Avertissement

Pour éviter d'affecter l'ouïe, conserver le volume au niveau le plus bas avant de mettre le casque d'écoute, puis le régler ensuite à un niveau acceptable.

- 9 Appuyer sur **STOP** ■ pour arrêter la lecture de la cassette.

Pour enregistrer avec le lecteur de cassettes :

- 1 Appuyer sur **POWER** (Marche/Arrêt) pour mettre l'appareil sous tension.
- 2 Faire glisser le sélecteur de fonctions sur **RADIO**.
- 3 Ouvrir le compartiment de la cassette en appuyant sur **STOP/EJECT** (Arrêt/Ejecter) sur la partie inférieure du compartiment.
- 4 Insérer une cassette vierge, le côté ouvert vers le bas, puis refermer le compartiment.
- 5 Syntoniser la radio sur la station à enregistrer, puis appuyer sur **RECORD** (Enregistrer).
- 6 Appuyer sur **STOP** ■ pour arrêter l'enregistrement.

Utilisation du lecteur pour écouter une autre source sonore

Pour utiliser le lecteur afin d'écouter une autre source sonore :

- 1 Vérifier que l'appareil est hors tension, puis connecter un câble à partir des prises de sortie audio du périphérique sur les prises d'entrée auxiliaire (AUX-IN) à l'arrière du lecteur.
- 2 Appuyer sur **POWER** (Marche/Arrêt) pour mettre le lecteur sous tension, puis faire glisser le sélecteur de fonctions sur **AUX**.
- 3 Régler le niveau sonore avec la commande du **VOLUME**.
- 4 Appuyer sur **DBBS** pour amplifier les graves.
- 5 Pour l'écoute individuelle, brancher le casque d'écoute stéréo sur la prise de l'appareil prévue à cet effet. Les haut-parleurs sont automatiquement mis en sourdine.

Avertissement

Pour éviter d'affecter l'ouïe, conserver le volume au niveau le plus bas avant de mettre le casque d'écoute, puis le régler ensuite à un niveau acceptable.

Problèmes et solutions

Précautions

L'utilisateur ne doit pas essayer de réparer cet appareil lui-même. Cela annulerait la garantie.

Problème	Cause éventuelle	Solution
Absence de son ou d'alimentation	Le volume est trop bas.	Augmenter le volume.
	Le cordon d'alimentation CA n'est pas fermement connecté.	Connecter le cordon d'alimentation CA.
Le CD n'est pas lu	Le CD n'a pas été inséré correctement.	Réinsérer le CD, étiquette tournée vers le haut.
	Le CD est défectueux.	Essayer un autre CD.
	Le couvercle du compartiment du CD n'est pas fermé.	Fermer le couvercle du compartiment du CD.
	De la condensation s'est formée dans le compartiment du CD.	Enlever le CD et laisser le couvercle ouvert dans un endroit sec pendant une heure environ.
Le disque ne s'affiche pas à l'écran	Aucun disque n'a été inséré.	Insérer un disque CD, CD-R ou CD-RW.
	Le disque est sale ou rayé.	Si le disque est sale, le nettoyer. Si le disque est défectueux, le remplacer.
	De la condensation s'est formée dans le compartiment du CD.	Enlever le CD et laisser le couvercle ouvert dans un endroit sec pendant une heure environ.
	Le disque CD-R ou CD-RW utilisé est vierge ou n'a pas été finalisé.	Utiliser un disque CD-R ou CD-RW finalisé.
Pas de son dans le casque d'écoute	La fiche du casque d'écoute n'est pas branchée correctement.	Rebrancher la fiche du casque d'écoute dans la prise.
	La commande du volume est au minimum.	Augmenter le volume.
	Le CD ou la cassette sont défectueux.	Essayer un autre CD ou une autre cassette.

Problème	Cause éventuelle	Solution
Des sautes de CD se produisent en cours de lecture	Le CD ou la lentille optique est sale.	Nettoyer ou remplacer le CD ou nettoyer la lentille de lecture.
	Fortes secousses ou vibrations.	Placer le lecteur de CD sur une surface plane et stable sans vibration.
	Le lecteur de CD est programmé pour sauter d'une piste à l'autre.	Quitter le mode de programmation.
Pas de son ou son médiocre sur la radio	La station n'est pas syntonisée correctement.	Syntoniser de nouveau la station.
	FM — L'antenne n'est pas réglée correctement.	Réorienter l'antenne FM pour obtenir une meilleure réception.
	AM — L'appareil est mal positionné pour obtenir une bonne réception.	Réorienter l'appareil pour obtenir une meilleure réception.

Entretien de l'appareil

Remarque

La partie mécanique de cet appareil contient des roulements autolubrifiants et ne doit pas être huilée ou lubrifiée.

Nettoyage du boîtier

Essuyer avec un chiffon propre. Si le boîtier est très sale, humidifier le chiffon avec une solution diluée de détergent non caustique et d'eau.

Nettoyage de la lentille optique

Une lentille optique sale provoque des sautes de son et même l'arrêt du lecteur de CD.

Pour nettoyer la lentille de particules sèches et de poussières éventuelles :

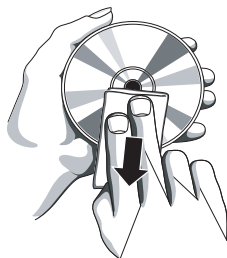
- 1 Ouvrir le couvercle du CD.
- 2 En utilisant une brosse pneumatique pour lentille d'appareil de photo, souffler plusieurs fois sur la lentille, puis essuyer délicatement avec la brosse pour enlever la poussière.
- 3 Souffler de nouveau pour éliminer les particules en suspension.

Pour nettoyer les empreintes digitales sur la lentille optique :

- Si la lentille n'est toujours pas propre après le traitement à la brosse pneumatique, l'essuyer avec un chiffon en coton propre et doux.

Nettoyage d'un CD

Essuyer le CD, du centre vers la périphérie à l'aide d'un chiffon propre et doux.

**Précautions**

Ne pas utiliser des solvants comme le benzène, les diluants, les liquides de nettoyage commerciaux ou les vaporisateurs antistatiques conçus pour les disques en vinyle.

Avis juridiques

© 2007 Insignia. Insignia et le logo Insignia sont des marques de commerce de Best Buy Enterprise Services, Inc. Les autres noms de marques et de produits mentionnés sont des marques de commerce ou des marques déposées de leurs propriétaires respectifs. Les spécifications et caractéristiques sont susceptibles d'être modifiées sans préavis.

Pour l'assistance technique, appeler le (877) 467-4289.

Garantie

Garantie limitée de 90 jours

Insignia Products ("Insignia") garantit au premier acheteur de ce Insignia NS-A2113 Minisystème audio neuf ("Produit"), qu'il est exempt de vices de fabrication et de main-d'œuvre à l'origine, pour une période de 90 jours à partir de la date d'achat du Produit ("Période de garantie"). Ce produit doit avoir été acheté chez un revendeur agréé des produits de la marque Insignia et emballé avec cette déclaration de garantie. Cette garantie ne couvre pas les Produits remis à neuf. Les conditions de la présente garantie s'appliquent à tout Produit pour lequel Insignia est notifié, pendant la Période de garantie, d'un vice couvert par cette garantie qui nécessite une réparation.

Quelle est la durée de la couverture ?

La Période de garantie dure 90 jours à compter de la date d'achat de ce Produit. La date d'achat est imprimée sur le reçu fourni avec le Produit.

Que couvre cette garantie ?

Pendant la Période de garantie, si un vice de matériau ou de main-d'œuvre d'origine est détecté sur le Produit par un service de réparation agréé par Insignia ou le personnel du magasin, Insignia (à sa seule discrétion) : (1) réparera le Produit en utilisant des pièces détachées neuves ou remises à neuf ; ou (2) remplacera le Produit par un produit ou des pièces neuves ou remises à neuf de qualité comparable. Les produits et pièces remplacés au titre de cette garantie deviennent la propriété d'Insignia et ne sont pas retournés à l'acheteur. Si les Produits ou pièces nécessitent une réparation après l'expiration de la Période de garantie, l'acheteur devra payer tous les frais de main d'œuvre et les pièces. Cette garantie reste en vigueur tant que l'acheteur reste propriétaire du Produit Insignia pendant la Période de garantie. La garantie prend fin si le Produit est revendu ou transféré d'une quelconque façon que ce soit à tout autre propriétaire.

Comment obtenir une réparation sous garantie ?

Si le Produit a été acheté chez un détaillant, le rapporter accompagné du reçu original chez ce détaillant. S'assurer de remettre le Produit dans son emballage d'origine ou dans un emballage qui procure la même qualité de protection que celui d'origine. Si le Produit a été acheté en ligne, l'expédier accompagné du reçu original à l'adresse indiquée sur le site Web. S'assurer de remettre le Produit dans son emballage d'origine ou dans un emballage qui procure la même qualité de protection que celui d'origine.

Où cette garantie s'applique-t-elle ?

Cette garantie ne s'applique qu'à l'acheteur original du Produit aux États-Unis et au Canada.

Ce qui n'est pas couvert par cette garantie limitée

La présente garantie ne couvre pas :

- la formation du client ;
- l'installation ;
- les réglages de configuration ;
- les dommages esthétiques ;
- les dommages résultants de catastrophes naturelles telles que la foudre ;
- les accidents ;
- une utilisation inadaptée ;
- une manipulation abusive ;

- la négligence ;
- une utilisation commerciale ;
- la modification de tout ou partie du Produit, y compris l'antenne.

La présente garantie ne couvre pas non plus :

- les dommages ayant pour origine une utilisation ou une maintenance défectueuse ;
- la connexion à une source électrique dont la tension est inadéquate ;
- Toute réparation effectuée par quiconque autre qu'un service de réparation agréé par Insignia pour la réparation du Produit
- les Produits vendus en l'état ou hors service ;
- les consommables tels que les fusibles ou les piles ;
- les produits dont le numéro de série usine a été altéré ou enlevé du Produit.

LA RÉPARATION OU LE REMPLACEMENT, TELS QU'OFFERTS PAR LA PRÉSENTE GARANTIE, CONSTITUENT LE SEUL RECOURS DE L'ACHETEUR. INSIGNIA NE SAURAIT ÊTRE TENU POUR RESPONSABLE DE DOMMAGES ACCESSOIRES OU CONSÉCUTIFS, RÉSULTANT DE L'INEXÉCUTION D'UNE GARANTIE EXPRESSE OU IMPLICITE SUR CE PRODUIT, Y COMPRIS, SANS S'Y LIMITER, LA PERTE DE DONNÉES, L'IMPOSSIBILITÉ D'UTILISER LE PRODUIT, L'INTERRUPTION D'ACTIVITÉ OU LA PERTE DE PROFITS. INSIGNIA PRODUCTS N'OCTROIE AUCUNE AUTRE GARANTIE EXPRESSE RELATIVE À CE PRODUIT ; TOUTES LES GARANTIES EXPRESSES OU IMPLICITES POUR CE PRODUIT, Y COMPRIS MAIS SANS LIMITATION, TOUTE GARANTIE DE QUALITÉ MARCHANDE, D'ADÉQUATION À UN BUT PARTICULIER, SONT LIMITÉES À LA PÉRIODE DE GARANTIE APPLICABLE TELLE QUE DÉCRITE CI-DESSUS ET AUCUNE GARANTIE EXPRESSE OU IMPLICITE, NE S'APPLIQUERONT APRÈS LA PÉRIODE DE GARANTIE. CERTAINS ÉTATS ET PROVINCES NE RECONNAISSENT PAS LES LIMITATIONS DE LA DURÉE DE VALIDITÉ DES GARANTIES IMPLICITES. PAR CONSÉQUENT, LES LIMITATIONS SUSMENTIONNÉES PEUVENT NE PAS S'APPLIQUER À L'ACHETEUR ORIGINAL. LA PRÉSENTE GARANTIE DONNE À L'ACHETEUR DES GARANTIES JURIDIQUES SPÉCIFIQUES ; IL PEUT AUSSI BÉNÉFICIER D'AUTRES GARANTIES QUI VARIENT D'UN ÉTAT OU D'UNE PROVINCE À L'AUTRE.

Insignia NS-A2113

Mini sistema de audio

Contenido

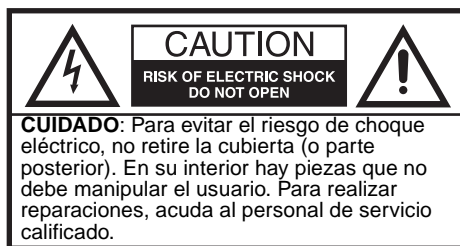
Bienvenido	41
Información de seguridad	41
Características	45
Configuración de su sistema de audio	49
Uso de su mini sistema de audio	50
Localización y corrección de fallas	56
Mantenimiento de su sistema de audio	57
Avisos legales	58
Garantía	59

Bienvenido

Felicitaciones por su compra de un producto de alta calidad de Insignia. Su NS-A2113 representa el más moderno diseño de mini sistemas de audio y está concebido para brindar un rendimiento confiable y sin problemas.

Información de seguridad

Para evitar el peligro de incendio o choque eléctrico, no conecte este cable de alimentación en un cable de extensión, receptáculo, ni con otro tipo de tomacorriente, ya que las clavijas deben quedar completamente insertadas para evitar su exposición. Para reducir el riesgo de incendio o choque eléctrico, no exponga este equipo a la lluvia o la humedad.





La figura de relámpago que termina en punta de flecha dentro de un triángulo tiene por finalidad alertarle de la presencia de voltaje peligroso sin aislamiento en el interior de su sistema de audio que podría tener potencia suficiente para constituir riesgo de choque eléctrico para las personas.



El signo de admiración dentro de un triángulo tiene por finalidad alertarle de la presencia de instrucciones importantes de operación y mantenimiento (servicio) en la literatura que se incluye con su sistema de audio.

Advertencia:

Su sistema de audio utiliza un sistema láser. Siga todas las instrucciones de operación contenidas en esta guía y guarde la guía para su consulta posterior. Si su sistema de audio requiere reparación, contacte al vendedor o a nuestro centro de servicio.

Para prevenir la exposición directa a la radiación láser, no abra la caja. Existe radiación de láser invisible cuando la caja está abierta o los seguros estén desactivados. No mire directamente a los rayos láser.

El uso de cualquier otro control, ajuste o procedimiento que no sea especificado en este manual puede resultar en una exposición peligrosa a la radiación.

Precaución

Cualquier cambio o modificación a su sistema de audio, que no este aprobado expresamente por el fabricante o sus centros autorizados, pueden cancelar su autoridad para operar su sistema de audio.

Cuidado:

Su sistema de audio no debe de ser expuesto al agua (goteo o salpicaduras), y ningún objeto lleno de líquido, como por ejemplo vasijas, deberá ser colocado sobre la unidad.

Medidas de seguridad importantes

- **Lea las instrucciones** — Lea todas las instrucciones de seguridad y operación antes de usar su sistema de audio.
- **Guarde las instrucciones** — Guarde las instrucciones de seguridad y operación para referencia futura.
- **Siga las advertencias** — Preste atención a todas las advertencias sobre su sistema de audio y en las instrucciones de operación.

- **Siga las instrucciones** — Siga todas las instrucciones de operación y uso.
- **Limpieza** — Desconecte su sistema de audio del tomacorriente antes de limpiarlo. No use productos de limpieza líquidos o en aerosol. Use un paño húmedo para limpiarla.
- **Aditamentos** — No use accesorios que no hayan sido recomendados por Insignia ya que podrían causar problemas peligrosos.
- **Agua y humedad** — No use su sistema de audio cerca del agua; por ejemplo, cerca de una bañera, en un sótano mojado o cerca de una piscina.
- **Ventilación** — Para asegurar la operación confiable de su sistema de audio y para protegerlo contra el sobrecalentamiento, se proveen ranuras y aberturas en la parte posterior o inferior del gabinete ventilación. No bloquee estas aberturas. No coloque su sistema de audio sobre una cama, un sofá, una alfombra u otra superficie similar. Su sistema de audio nunca se debe colocar cerca o sobre un radiador o calefactor. No coloque su sistema de audio en una instalación empotrada, tal como un librero o estantería a menos que se proporcione la correcta ventilación o se hayan seguido las instrucciones del fabricante.
- **Fuentes de alimentación** — Use sólo el tipo de alimentación eléctrica indicado en la etiqueta de marca. Si no está seguro del tipo de fuente de alimentación en su casa, consulte con el vendedor del sistema de audio o la compañía local de energía. Para sistemas de audio diseñados para funcionar con baterías, u otras fuentes, refiérase a las instrucciones de operación respectivas.
- **Conexión a tierra o polarización** — Su sistema de audio está equipado con un enchufe polarizado de corriente alterna (un enchufe que tiene una espiga más ancha que la otra). Este enchufe se conecta en el tomacorriente de una sola forma. Ésta es una característica de seguridad. Si no puede insertar completamente el enchufe en el tomacorriente, intente voltearlo. Si el enchufe todavía no entra, contacte a su electricista para que reemplace el tomacorriente obsoleto. No anule el propósito de seguridad del enchufe polarizado.
- **Protección del cable de alimentación** — Coloque los cables de alimentación eléctrica de tal forma que no se pisen o queden aplastados por objetos colocados contra ellos; preste atención especial a los cables conectados a tomacorrientes y al lugar de donde salen de su sistema de audio.

- **Relámpagos** — Para protección adicional de su sistema de audio durante una tormenta de rayos, o cuando se deje sin usar por un periodo de tiempo extensivo, desconéctelo del tomacorriente y desconecte la antena o el sistema de cable. Esto evitará daños a su sistema de audio debido a relámpagos o sobretensión en la línea de energía.
- **Sobrecarga** — No sobrecargue los tomacorrientes ni los cables de extensión ya que esto podría resultar en riesgo de incendio o choque eléctrico.
- **Ingreso de objetos y líquidos** — Nunca inserte objetos de ningún tipo en su sistema de audio a través de las aberturas, ya que podrían tocar puntos de voltaje peligrosos o hacer corto circuito con otros componentes que podrían resultar en incendio o choque eléctrico. Nunca derrame líquidos de ninguna clase sobre su sistema de audio.
- **Reparación** — No trate de reparar su sistema de audio usted mismo, ya que abrir o quitar las cubiertas puede exponerlo a voltajes peligrosos u otros peligros. Encomiende todas las reparaciones al personal de servicio calificado.
- **Daños que requieren reparación** — Desconecte el sistema de audio del tomacorriente y refiera la reparación a personal calificado bajo las siguientes condiciones:
 - Cuando el cable de alimentación o el enchufe se dañe o se pele.
 - Si líquido ha sido derramado u objetos han caído dentro del sistema de audio.
 - Si el sistema de audio ha sido expuesto a la lluvia o al agua.
 - Si el sistema de audio no funciona normalmente aún siguiendo las instrucciones de operación siguientes. Ajuste únicamente los controles que están cubiertos en las instrucciones de operación, ya que el ajuste incorrecto de otros controles puede resultar en daño y frecuentemente requerirá trabajo intensivo de un técnico calificado para restaurar la operación normal de su sistema de audio.
 - Si su sistema de audio se ha caído o dañado de cualquier forma.
 - Si su sistema de audio exhibe un cambio marcado en el rendimiento.
- **Piezas de repuesto** — Cuando se necesiten repuestos, asegúrese de que el técnico de reparación use repuestos especificados por el fabricante o que tengan las mismas características que la parte original. Las substituciones no autorizadas pueden resultar en incendio, choque eléctrico, lesiones a personas u otros peligros.

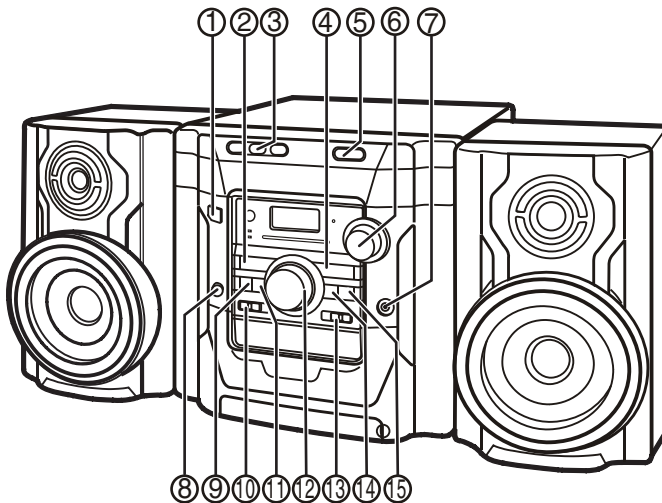
- **Verificación de seguridad** — Después de completar la reparación de su sistema de audio, pídale al técnico de servicio que realice verificaciones de seguridad rutinarias para determinar que su sistema de audio se encuentra en buena condición de operación.
- **Calor** — No instale su sistema de audio cerca de fuentes de calor tales como radiadores, calefactores, estufas u otros productos (incluyendo amplificadores) que produzcan calor.

Precaución

Para evitar un choque eléctrico haga corresponder la clavija ancha del enchufe con la ranura ancha del tomacorriente e inserte el enchufe completamente.

Características

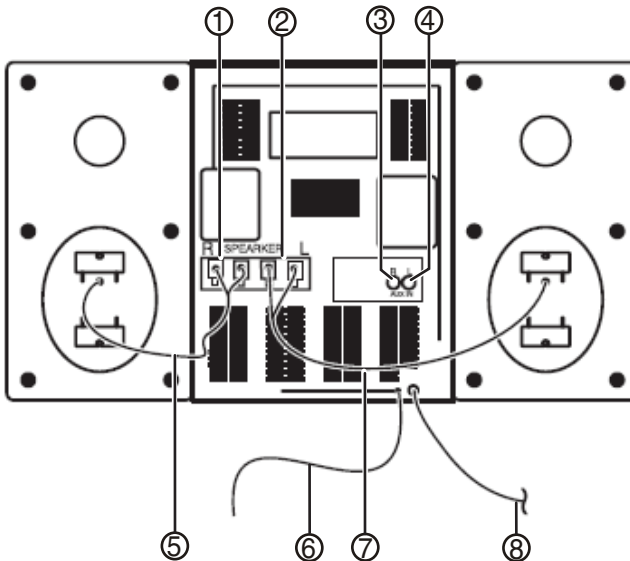
Vista Frontal



#	Descripción	Función
1	Botón ENCENDIDO	Presione para encender o apagar el sistema.
2	Botón DETENER ■	Permite detener la reproducción del disco.
3	Botones DISC1/DISC2/DISC3	Permite seleccionar el disco que se reproducirá.
4	Botón REPRODUCIR/ PAUSAR ►	Permite reproducir o pausar el disco.
5	Botón ABRIR/CERRAR	Permite abrir y cerrar la bandeja de discos.

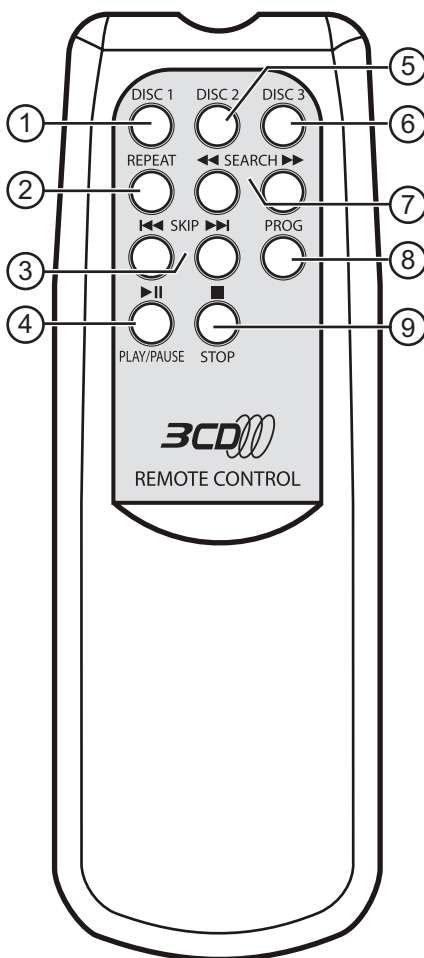
#	Descripción	Función
6	Perilla de SINTONIZACIÓN	Gire para sintonizar otra frecuencia de radio
7	Toma de auriculares	Conecte auriculares estéreo aquí.
8	Botón DBBS	Permite amplificar los graves del reproductor.
9	Botón PROGRAMAR	Permite programar la reproducción del CD.
10	Selector de FUNCIÓN	Permite seleccionar entre CD o Radio.
11	Botón REPETIR	Permite repetir pistas del CD o todo el CD.
12	Perilla de VOLUMEN	Gire para subir o bajar el volumen.
13	Selector de BANDA	Permite seleccionar AM, FM o FM Estéreo.
14	Botón SALTAR HACIA ATRÁS/RETROCEDER	En el modo de radio, permite sintonizar una frecuencia más baja. En el modo de reproducción, permite seleccionar una pista o capítulo anterior.
15	Botón SALTAR HACIA ADELANTE/AVANZAR	En el modo de radio, permite sintonizar una frecuencia más alta. En el modo de reproducción, permite seleccionar la siguiente pista o capítulo.

Vista Posterior



#	Descripción	Función
1	Tomas del altavoz derecho	Conecte los alambres del altavoz derecho en estos tomas.
2	Tomas del altavoz izquierdo	Conecte los alambres del altavoz izquierdo en estos tomas.
3	Toma derecho de la Entrada AUX	Conecte la salida derecha de una fuente de audio externa en este toma.
4	Toma izquierdo de la Entrada AUX	Conecte la salida izquierda de una fuente de audio externa en este toma
5	Alambres del altavoz derecho	Conecte estos alambres a los tomas del altavoz derecho.
6	Antena de FM	Úsela para mejorar la recepción de FM
7	Alambres del altavoz izquierdo	Conecte estos alambres a los tomas del altavoz izquierdo.
8	Cable de alimentación de CA	Conecte este cable en un tomacorriente.

Control Remoto



#	Descripción	Función
1	Botón DISC 1 (Disco 1)	Permite reproducir el disco 1 en el cambiador de CDs.
2	Botón REPETIR	Permite repetir pistas del CD o todo el CD.
3	SALTAR ◀◀/ ▶▶	Permite seleccionar una pista o un capítulo anterior o la siguiente pista o capítulo.
4	Botón REPRODUCIR/ PAUSAR ▶▶	Permite comenzar la reproducción, presiónelo de nuevo para pausar y otra vez para reanudar la reproducción.

#	Descripción	Función
5	Botón DISC 2 (Disco 2)	Permite reproducir el disco 2 en el cambiador de CDs.
6	Botón DISC 3 (Disco 3)	Permite reproducir el disco 3 en el cambiador de CDs.
7	Botones BUSCAR ◀◀/ ▶▶	Permite retroceder o avanzar rápidamente un disco para buscar una selección.
8	Botón PROG	Permite programar la reproducción del CD.
9	Botón DETENER ■	Presione para detener la reproducción de un disco.

Configuración de su sistema de audio

Conexión del cable de alimentación

Para usar la alimentación de CA:

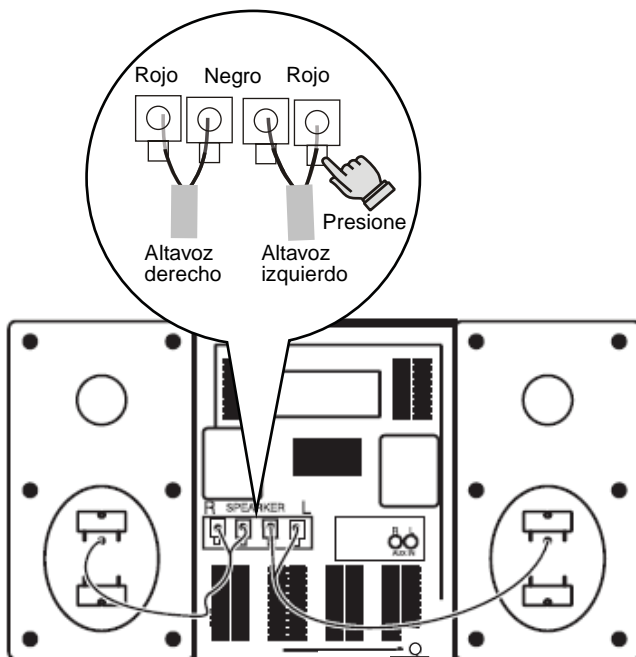
- 1 Asegúrese de que el voltaje de su fuente de alimentación de CA local sea el mismo que el indicado en la placa situada en la parte posterior del sistema. Si no lo es, consulte con su vendedor o centro de servicio.
- 2 Conecte el cable de alimentación al toma de CA en el sistema de audio y enchúfelo en el tomacorriente de CA.
- 3 Para apagar completamente el sistema de audio, desenchufe el cable de alimentación del tomacorriente de CA.

Cuidado

Desenchufe el cable de alimentación del tomacorriente de CA durante tormentas de rayos fuertes para proteger su sistema.

Conexión de los altavoces

Conecte los alambres de los altavoces en la parte posterior del reproductor según se muestra en la siguiente figura.



Uso de su mini sistema de audio

Uso de la radio

Para usar la radio:

- 1 Presione **POWER** (Encendido) para encender el sistema de audio.
- 2 Deslice el interruptor de función a la posición **RADIO**.
- 3 Deslice el selector de banda a la posición **AM**, **FM**, o **FM ST.** (FM Estéreo).
- 4 Gire la perilla de **SINTONIZACIÓN** hasta seleccionar la emisora deseada.
 - Para escuchar FM, extienda la antena y ajústela hasta obtener la mejor señal.

- Para escuchar AM, gire el sistema de audio hasta encontrar la mejor señal (tiene una antena integrada).

Nota

El indicador LED de FM Estéreo se ilumina cuando se sintoniza una emisora FM estéreo, si el selector de banda se encuentra la posición **FM ST**.

- 5 Ajuste el nivel de sonido con el control de **VOLUMEN**.
- 6 Presione **DBBS** para amplificar los graves (si gusta).
- 7 Para escuchar de forma privada, conecte sus auriculares estéreo en el toma en la parte superior del sistema de audio. Los altavoces se silenciarán automáticamente.

Advertencia:

Para evitar dañar su oído, ajuste del volumen a un nivel bajo antes de colocarse los auriculares, luego ajuste del volumen a un nivel cómodo.

- 8 Para pagar el sistema de audio, presione **POWER** (Encendido).

Uso del reproductor de CD

El reproductor de CD puede reproducir discos de audio, tal cómo discos CD-R y CD-RW. El reproductor de CD no es compatible con CD-ROM, CDI, VCD, DVD o discos para computadora.

Nota

Los discos CD-R y CD-RW se tienen que finalizar para poder ser reproducidos en este reproductor de CD.

Para usar el reproductor de CD:

- 1 Presione **POWER** (Encendido) para encender el sistema de audio.
- 2 Deslice el interruptor de función a la posición **CD**.
- 3 Abra la bandeja de discos presionando **OPEN/CLOSE** (Abrir/Cerrar).
- 4 Inserte hasta 3 discos con el lado impreso hacia arriba, y presione **OPEN/CLOSE** de nuevo para cerrar la bandeja.
- 5 Presione **DISC1**, **DISC2**, o **DISC3** para seleccionar el disco que desea reproducir.
- 6 Presione **REPRODUCIR/PAUSAR ►||** para comenzar a reproducir.
 - Para pausar la reproducción, presione **REPRODUCIR/PAUSAR ►||**.
 - Para reanudar la reproducción, presione **REPRODUCIR/PAUSAR ►||** de nuevo.

- 7 Ajuste el nivel de sonido con el control de **VOLUMEN**.
- 8 Presione **DBBS** para amplificar los graves durante la reproducción (si gusta).
- 9 Para escuchar de forma privada, conecte sus auriculares estéreo en el toma en la parte superior del sistema de audio. Los altavoces se silenciarán automáticamente.

Advertencia:

Para evitar dañar su oído, ajuste del volumen a un nivel bajo antes de colocarse los auriculares, luego ajuste del volumen a un nivel cómodo.

- 10 Presione **DETENER** ■ para detener la reproducción del CD.

Notas

La reproducción se detiene cuando:

- Se abre la bandeja del CD.
- Se selecciona la fuente de sonido de la RADIO
- Se llega al final del CD.

Selección de una pista diferente

Para seleccionar una pista diferente en un CD:

- 1 Presione una vez **SKIP/SEARCH UP** (Saltar hacia delante/ Avanzar) para saltar a la siguiente pista o presione repetidamente hasta que la pista deseada aparezca en la pantalla.
- 2 Presione una vez **SKIP/SEARCH DN** (Saltar hacia atrás/ Retroceder) para regresar al principio de la pista actual o presione repetidamente para saltar a una pista anterior hasta que la pista deseada aparezca en la pantalla.
- 3 Si seleccionó una pista mientras el CD se encuentra detenido o pausado, presione **REPRODUCIR/PAUSAR** ►|| para comenzar la reproducción.

Localización de un pasaje específico

Para localizar un pasaje específico en una pista:

- 1 Mantenga presionado **SKIP/SEARCH UP** (Saltar hacia adelante/ Avanzar) o el botón **SKIP/SEARCH DN** (Saltar hacia atrás/Retroceder).
- 2 Cuando alcance la parte que desea, suelte el botón. La reproducción normal se reanudará.

Repetición de porciones de un CD

Para usar el modo de repetición:

- Para repetir la pista actual, presione **REPEAT** (Repetir) una vez (el indicador REPEAT [Repetir] aparece en la pantalla).
- Para repetir todo el CD, presione **REPEAT** (Repetir) de nuevo (los indicadores REPEAT [Repetir] y 1 DISC [1 Disco] aparecen en la pantalla).
- Para repetir todos los CDs dentro del reproductor, presione **REPEAT** (Repetir) de nuevo (los indicadores REPEAT [Repetir] y ALL DISC [Todos los discos] aparecen en la pantalla).
- Para cancelar el modo de repetición y retornar a la reproducción normal, presione **REPEAT** (Repetir) de nuevo.

Programación de la reproducción

Puede programar hasta 30 pistas para reproducirlas en el orden que especifique, y repetir cualquier pista más de una vez. Un programa existente puede ser editado de la misma forma.

Para programar la reproducción:

- 1 En el modo detenido, presione **PROG.** El indicador *PROGRAM* (Programar) aparecerá en la pantalla.
- 2 Presione **SKIP/SEARCH UP** (Saltar hacia delante/Avanzar) o **SKIP/SEARCH DN** (Saltar hacia atrás/Retroceder) para seleccionar la pista deseada.
- 3 Cuando la pista deseada aparezca en la pantalla, presione **PROGRAM** (Programar) para almacenar la pista en la memoria.
- 4 Repita los pasos 2 y 3 para seleccionar más pistas.
- 5 Presione **REPRODUCIR/PAUSAR** ►|| para reproducir su programa.
- 6 Presione **DETENER** ■ para cancelar el programa.

Para eliminar un programa:

- Abra la bandeja del CD
- O -
- Seleccione la fuente **RADIO** con el selector de función

Para repetir porciones de un programa:

- 1 Presione **REPEAT** (Repetir) una vez para repetir la pista actual del programa que se reproduce. Presione **REPEAT** (Repetir) tres veces para cancelar.

- 2 Presione **REPEAT** (Repetir) dos veces para repetir todo el capítulo del programa que se reproduce actualmente. Presione **REPEAT** (Repetir) dos veces para cancelar.
- 3 Presione **REPEAT** (Repetir) tres veces para repetir todo el programa que se reproduce actualmente. Presione **REPEAT** (Repetir) una vez para cancelar.

Uso del reproductor de cintas

Botón	Función
REPRODUCIR ►	Permite reproducir la cinta.
DETENER/ EXPULSAR ■▲	Permite detener la reproducción. Presione de nuevo para expulsar la cinta.
F.FWD (Avance rápido) ►►	Permite avanzar la cinta rápidamente.
REW (Retroceder) ◀◀	Permite retroceder la cinta.
PAUSAR	Permite pausar la cinta. Presione de nuevo para reanudar la reproducción.
GRABAR ●	Permite comenzar a grabar la cinta.

Para usar el reproductor de cintas:

- 1 Presione **POWER** (Encendido) para encender el sistema de audio.
- 2 Deslice el selector de función a la posición **TAPE** (Cinta).
- 3 Abra la puerta de la cinta presionando **STOP/EJECT** (Detener/Expulsar) en la parte inferior de la puerta.
- 4 Inserte una cinta, con el lado abierto hacia abajo y cierre la puerta.
- 5 Presione **REPRODUCIR** ► para comenzar la reproducción.
- 6 Ajuste el nivel de sonido con el control de **VOLUMEN**.
- 7 Presione **DBBS** para amplificar los graves durante la reproducción (si gusta).
- 8 Para escuchar de forma privada, conecte sus auriculares estéreo en el toma en la parte superior del sistema de audio. Los altavoces se silenciarán automáticamente.

Advertencia

Para evitar dañar su oído, ajuste del volumen a un nivel bajo antes de colocarse los auriculares, luego ajuste del volumen a un nivel cómodo.

- 9 Presione **DETENER** ■ para detener la reproducción de la cinta.

Para grabar con el reproductor de cintas:

- 1 Presione **POWER** (Encendido) para encender el sistema de audio.
- 2 Deslice el selector de función a la posición **RADIO**.
- 3 Abra la puerta de la cinta presionando **STOP/EJECT** (Detener/ Expulsar) en la parte inferior de la puerta.
- 4 Inserte una cinta en blanco, con el lado abierto hacia abajo y cierre la puerta.
- 5 Sintonice el radio a la emisora que desea grabar y presione **RECORD** (Grabar).
- 6 Presione **STOP** ■ (Detener) para detener la grabación.

Uso de su reproductor para escuchar otra fuente de sonido**Para usar su reproductor para escuchar otra fuente de sonido:**

- 1 Asegúrese de que la unidad esté encendida y conecte un cable desde los tomas de salida de audio del equipo a los tomas **AUX-IN** (Entrada auxiliar) en la parte posterior del reproductor.
- 2 Presione **POWER** (Encendido) en el reproductor y deslice el interruptor de función a la posición **AUX**.
- 3 Ajuste el nivel de sonido con el control de **VOLUMEN**.
- 4 Presione **DBBS** para amplificar los graves.
- 5 Para escuchar de forma privada, conecte sus auriculares estéreo en el toma en la parte superior del sistema de audio. Los altavoces se silenciarán automáticamente.

Advertencia

Para evitar dañar su oído, ajuste del volumen a un nivel bajo antes de colocarse los auriculares, luego ajuste del volumen a un nivel cómodo.

Localización y corrección de fallas

Cuidado

No intente reparar el sistema de audio usted mismo.
Hacerlo anulará su garantía.

Problema	Causa probable	Solución
No hay sonido o alimentación	El volumen está demasiado bajo.	Suba el volumen.
	El cable de alimentación de CA no está bien conectado.	Conecte el cable de alimentación de CA.
No se puede reproducir el CD	El CD se ha insertado incorrectamente.	Vuelva a insertar el CD con la etiqueta hacia arriba.
	El CD está defectuoso.	Pruebe con otro CD.
	No está cerrado el compartimiento del CD.	Cierre la puerta del CD.
	Hay condensación en el compartimiento del CD.	Saque el CD y deje la cubierta abierta por cerca de una hora en un ambiente seco.
El indicador "No disc" (No hay disco) se muestra en la pantalla	No se ha insertado un CD.	Inserte un disco CD, CD-R o CD-RW.
	El CD se encuentra muy rayado o sucio.	Limpié el CD si está sucio. Reemplace el CD si está defectuoso.
	Hay condensación en el compartimiento del CD.	Saque el CD y deje la cubierta abierta por cerca de una hora en un ambiente seco.
	Está usando un disco CD-R o CD-RW que no se ha grabado o el disco no ha sido finalizado.	Use un disco CD-R o CD-RW finalizado.
No se escucha sonido por los auriculares	Los auriculares no están insertados correctamente en el toma de los auriculares.	Reinserte el enchufe de los auriculares en el toma.
	El control de volumen está bajo.	Suba el volumen.
	El CD o la cinta están defectuosos.	Pruebe con otro CD u otra cinta.

Problema	Causa probable	Solución
El sonido del CD se salta segmentos durante la reproducción	El CD o el lente están sucios.	Limpié o reemplace el CD o limpie el lente.
	Vibraciones o sacudidas fuertes	Colocar el sistema de audio sobre una superficie plana, dura y estable.
	El reproductor de CD está programado para saltarse una pista.	Salga del modo de programación.
No hay sonido o el sonido es malo en la radio	No se ha sintonizado la estación correctamente.	Vuelva a sintonizar la estación.
	FM — La antena no está ajustada correctamente.	Ajuste la antena de FM para mejorar la recepción.
	AM — El sistema de audio no está orientado de manera que se consiga una buena recepción.	Gire el reproductor para mejorar la recepción.

Mantenimiento de su sistema de audio

Nota

La sección mecánica de este sistema de audio contiene engranajes autolubrificantes y no se debe aceitar o lubricar.

Limpieza de la caja

Limpié la caja con un paño suave. Si está muy sucia, humedezca el paño con una solución muy diluida de detergente no cáustico y agua.

Limpieza del lente

Un lente sucio puede provocar saltos e incluso hacer que el reproductor de CD deje de funcionar.

Para limpiar las partículas secas y polvo del lente:

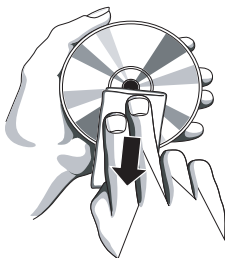
- 1 Abra la cubierta del CD.
- 2 Usando una brocha y sopladora para lentes de cámara, sople sobre el lente varias veces y luego límpielo cuidadosamente con la brocha para remover el polvo.
- 3 Sople de nuevo para remover partículas sueltas.

Para limpiar huellas digitales del lente:

- Si el lente no se puede limpiar con la brocha y el soplador, límpielo con un paño suave de algodón.

Limpieza de los CDs

Usando un paño suave de limpieza, limpie el CD del centro hacia afuera.

**Cuidado**

No utilice solventes tal como benceno, diluyentes, limpiadores comerciales o aerosoles antiestáticos diseñados para discos de vinilo.

Avisos legales

© 2007 Insignia. Insignia y el logotipo de Insignia son marcas de comercio de Best Buy Enterprise Services, Inc. Otras marcas y nombres de productos son marcas comerciales o marcas registradas de sus dueños respectivos. Las especificaciones y características están sujetas a cambio sin aviso previo u obligación.

Para reparación y soporte llamar al (877) 467-4289.

Garantía

Garantía limitada de 90 días

Insignia Products (“Insignia”) le garantiza a usted, el comprador original de este nuevo Insignia NS-A2113 Mini sistema de audio (“Producto”), que éste se encontrará libre de defectos de material o de mano de obra en su fabricación original por un período de 90 (noventa) días a partir de la fecha de compra del Producto (“Período de Garantía”). Este producto debe ser comprado en un distribuidor autorizado de productos de la marca Insignia y empaçado con esta declaración de garantía. Esta garantía no cubre Productos reacondicionados. Si notifica a Insignia durante el Período de Garantía sobre un defecto cubierto por esta garantía que requiere reparación, los términos de esta garantía se aplican.

¿Cuánto dura la garantía?

El Período de Garantía dura por 90 (noventa) días a partir de la fecha en que compró el Producto. La fecha de compra se encuentra impresa en el recibo que recibió con el Producto.

¿Qué es lo que cubre esta garantía?

Durante el Período de Garantía, si un centro de reparación autorizado de Insignia concluye que la fabricación original del material o la mano de obra del Producto se encuentran defectuosos, Insignia (cómo su opción exclusiva): (1) reparará el Producto con repuestos nuevos o reacondicionados; o (2) reemplazará el Producto sin cargo con uno nuevo o con uno reacondicionado con repuestos equivalentes. Los Productos y repuestos reemplazados bajo esta garantía se volverán propiedad de Insignia y no se le regresarán a usted. Si se requiere la reparación de Productos o partes después de que se vence el Período de Garantía, usted deberá pagar todos los costos de mano de obra y de repuestos. Esta garantía estará vigente con tal que usted sea el dueño de su Producto Insignia durante el periodo de garantía. El alcance de la garantía se termina si usted vende o transfiere el Producto.

¿Cómo se obtiene la reparación de garantía?

Si ha comprado el Producto en una tienda de ventas, lleve su recibo original y el Producto a la tienda en donde lo compró. Asegúrese de que vuelva a colocar el Producto en su empaque original o en un empaque que provea la misma protección que el original. Si compró el Producto en un sitio Web, envíe por correo su recibo original y el Producto a la dirección postal listada en el sitio Web. Asegúrese de colocar el Producto en su empaque original o en un empaque que provea la misma protección que el original.

¿En dónde es válida la garantía?

Esta garantía sólo es válida al comprador original del Producto en los Estados Unidos y en Canadá.

¿Qué es lo que no cubre la garantía?

Esta garantía no cubre:

- Formación del cliente
- Instalación
- Ajuste de configuración
- Daños cosméticos
- Daños debido a actos de la naturaleza, tal cómo rayos
- Accidentes

- Mal uso
- Abuso
- Negligencia
- Uso comercial
- Modificación de alguna parte del Producto, incluyendo la antena

Esta garantía tampoco cubre:

- Daño debido al uso o mantenimiento incorrecto
- La conexión a una fuente de voltaje incorrecta
- El intento de reparación por alguien que no sea una compañía autorizada por Insignia para reparar el Producto
- Productos vendidos tal cual (en el estado en que se encuentran) o con todas sus fallas
- Productos consumibles, tal cómo fusibles o baterías
- Productos en los cuales el número de serie asignado en la fábrica ha sido alterado o removido.

LA REPARACIÓN O REEMPLAZO SEGÚN LO PROVISTO BAJO ESTA GARANTÍA ES SU ÚNICO RECURSO. INSIGNIA NO SERÁ RESPONSABLE POR DAÑOS INCIDENTALES O CONSECUENTES DEBIDO AL INCUMPLIMIENTO DE CUALQUIER GARANTÍA EXPRESA O IMPLÍCITA RELACIONADA CON ESTE PRODUCTO, INCLUYENDO, PERO SIN LIMITARSE A ELLO, PÉRDIDA DE DATOS, IMPOSIBILIDAD DE USO DE SU PRODUCTO, PÉRDIDA DE NEGOCIO O LUCRO CESANTE. INSIGNIA NO CONCEDE NINGUNA OTRA GARANTÍA EXPRESA CON RESPECTO AL PRODUCTO; TODAS LAS GARANTÍAS EXPRESAS E IMPLÍCITAS DE ESTE PRODUCTO, INCLUYENDO PERO SIN LIMITARSE A, CUALQUIER GARANTÍA IMPLÍCITA DE O CONDICIONES DE COMERCIALIZACIÓN O IDONEIDAD PARA UN USO PARTICULAR, ESTÁN LIMITADAS EN DURACIÓN AL PERÍODO DE GARANTÍA DECLARADO ANTERIORMENTE Y NINGUNA GARANTÍA YA SEA EXPRESA O IMPLÍCITA SE APLICARÁ DESPUÉS DEL PERÍODO DE GARANTÍA. ALGUNOS ESTADOS, PROVINCIAS Y JURISDICCIONES NO PERMITEN RESTRICCIONES EN CUANTO A LA DURACIÓN DE UNA GARANTÍA IMPLÍCITA, ASÍ QUE LA RESTRICCIÓN ANTERIOR PUEDE NO APLICARSE EN SU CASO. ESTA GARANTÍA LE DA DERECHOS LEGALES ESPECÍFICOS, Y USTED PUEDE POSEER OTROS DERECHOS QUE VARIAN DE ESTADO A ESTADO, O PROVINCIA A PROVINCIA.



Distributed by Insignia™ Products
Distribué par Insignia™ Products
Distribuido por Insignia™ Products

7601 Penn Avenue South
Richfield, MN USA 55423-3645
www.Insignia-Products.com

R1

© 2007 Insignia™ Products
All rights reserved. All other products and brand names are trademarks of their respective owners.

© 2007 produits Insignia™
Tous droits réservés. Tous les autres produits ou noms de marques sont des marques de commerce qui appartiennent à leurs propriétaires respectifs.

© 2007 productos Insignia™
Todos los derechos reservados. Todos los demás productos y marcas son marcas comerciales de sus respectivos dueños.

Free Manuals Download Website

<http://myh66.com>

<http://usermanuals.us>

<http://www.somanuals.com>

<http://www.4manuals.cc>

<http://www.manual-lib.com>

<http://www.404manual.com>

<http://www.luxmanual.com>

<http://aubethermostatmanual.com>

Golf course search by state

<http://golfingnear.com>

Email search by domain

<http://emailbydomain.com>

Auto manuals search

<http://auto.somanuals.com>

TV manuals search

<http://tv.somanuals.com>